

US00D969256S

(12) **United States Design Patent** (10) **Patent No.:** **US D969,256 S**  
**Weinberger** (45) **Date of Patent:** **\*\* Nov. 8, 2022**

(54) **BARREL SHROUD LASER CONTROL DEVICE WITH FINGERSTOPS AND A RAIL, FOR ATTACHMENT TO A HANDGUN**

(74) *Attorney, Agent, or Firm* — David M. Stein

(71) Applicant: **Mike Weinberger**, New Orleans, LA (US)

(57) **CLAIM**

The ornamental design for a barrel shroud laser control device with fingerstops and a rail, for attachment to a handgun, as shown and described.

(72) Inventor: **Mike Weinberger**, New Orleans, LA (US)

**DESCRIPTION**

(\*\*) Term: **15 Years**

FIG. 1 is a perspective view of my new design; FIG. 2 is a left side elevation view thereof; FIG. 3 is a right side elevation view thereof; FIG. 4 is a bottom plan view thereof; FIG. 5 is a top plan view thereof; FIG. 6 is a front elevation view thereof; FIG. 7 is a rear elevation view thereof; FIG. 8 is a left side elevation view of my new design attached to a handgun; FIG. 9 is a left side elevation view of my new design attached to a handgun with a laser aiming device mounted on my new design; FIG. 10 is a left side elevation view of my new design attached to a handgun, with a laser aiming device mounted to my new design and a user pressing a laser activation button on the laser aiming device with the user's thumb; and, FIG. 11 is a right side elevation view of my new design attached to a handgun, with a laser aiming device mounted to my new design and a user pressing a laser activation button on the laser aiming device with the user's index finger. The dashed broken lines shown in FIGS. 8-11 representing a handgun and a laser aiming device are included for the purpose of illustrating environment and form no part of the claimed design. The dashed broken lines showing a hand and fingers in FIGS. 10 and 11 are included for the purpose of illustrating my design in use and form no part of the claimed design.

(21) Appl. No.: **29/710,541**

(22) Filed: **Oct. 24, 2019**

(51) **LOC (13) Cl.** ..... **22-01**

(52) **U.S. Cl.**  
USPC ..... **D22/108**

(58) **Field of Classification Search**  
USPC ..... D8/108  
CPC ..... F41A 21/36; F41A 21/488; F41A 21/485;  
A41C 27/00; F41G 1/02; F41G 1/04;  
F41G 3/145  
See application file for complete search history.

(56) **References Cited**

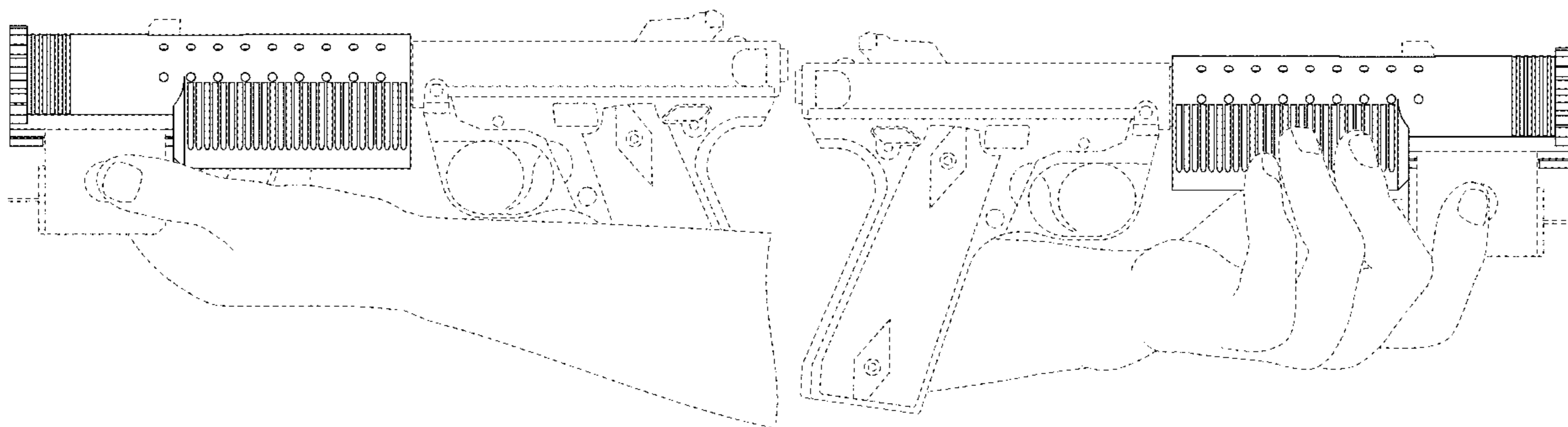
**U.S. PATENT DOCUMENTS**

221,456 A *	11/1879	Hall	.....	A43D 95/02 12/53.3
D285,235 S *	8/1986	Cellini	.....	89/14.3
4,976,184 A *	12/1990	Bunczk	.....	F41A 21/36 89/14.3
D661,767 S *	6/2012	Siddle	.....	F41A 3/54 D22/108
D755,334 S *	5/2016	Kielsmeier	.....	D22/108
D780,875 S *	3/2017	Sylvester	.....	D22/108
D876,568 S *	2/2020	Ribelin	.....	D22/104

\* cited by examiner

*Primary Examiner* — Michael A. Pratt

**1 Claim, 8 Drawing Sheets**



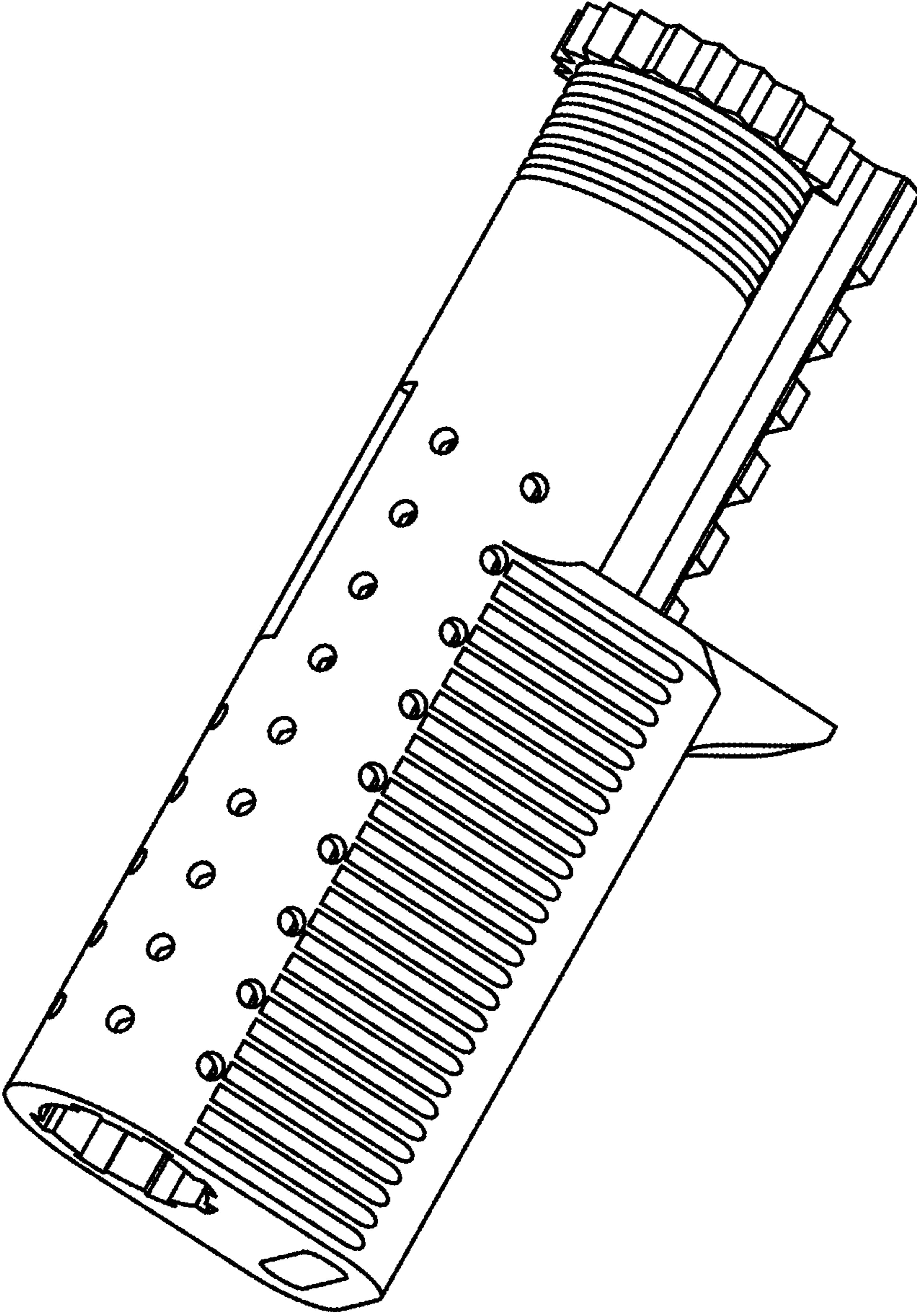


FIG. 1

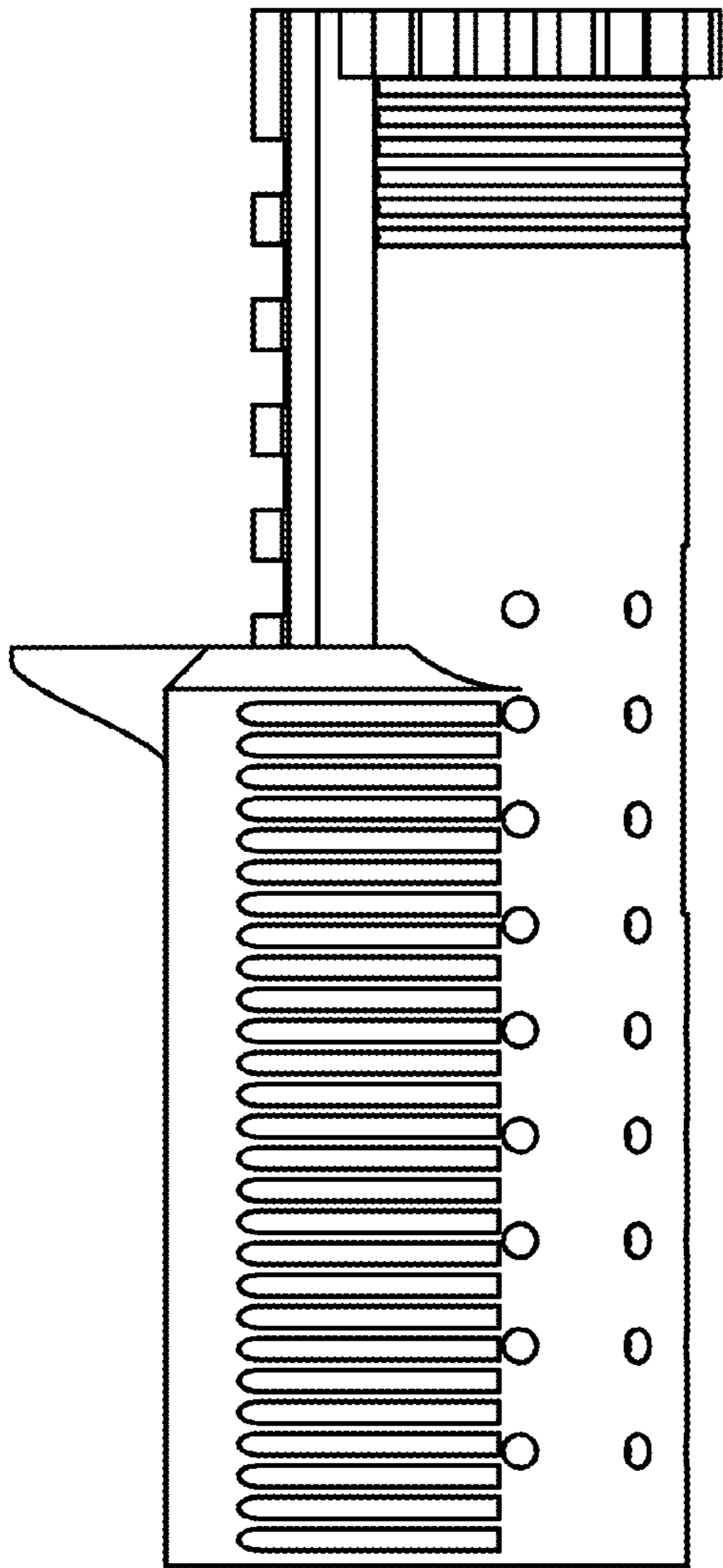


FIG. 2

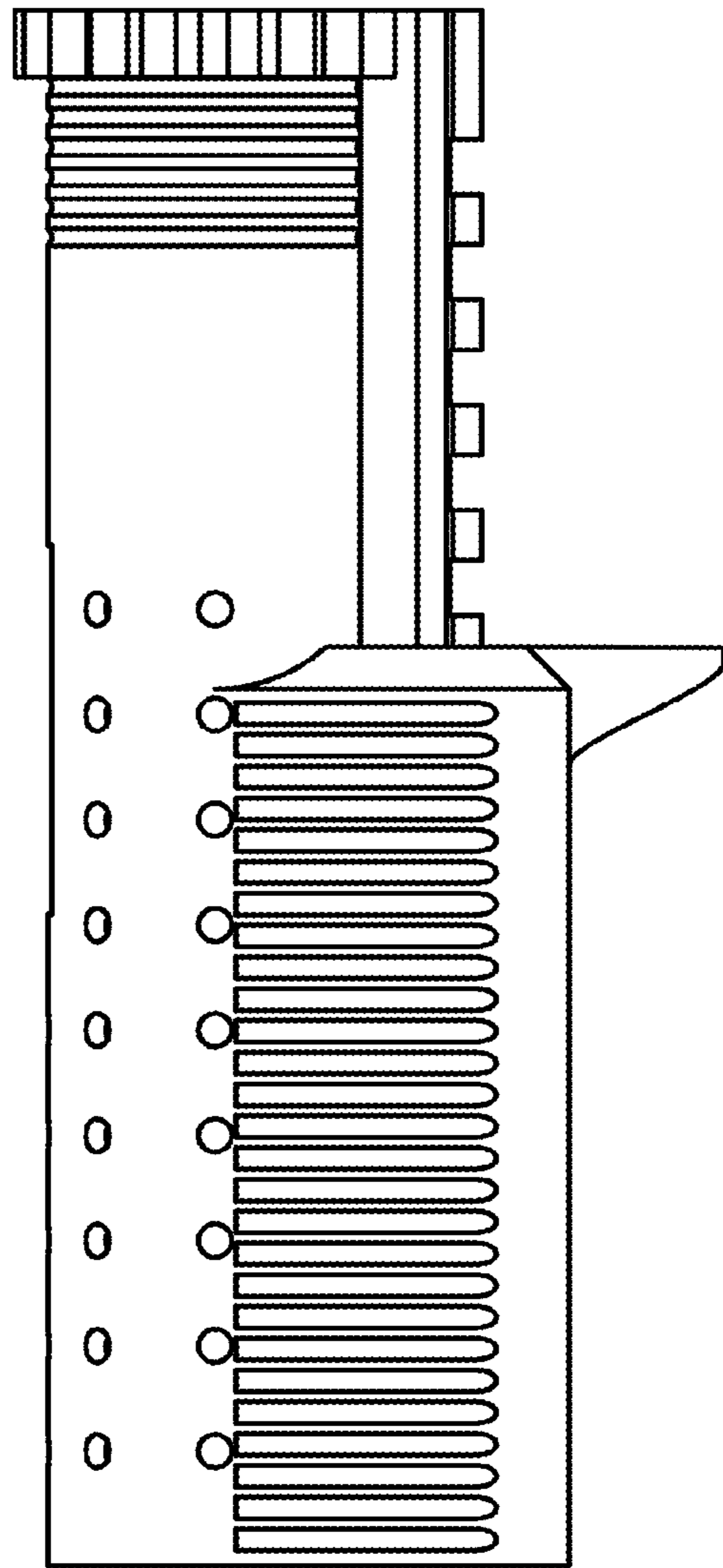


FIG. 3

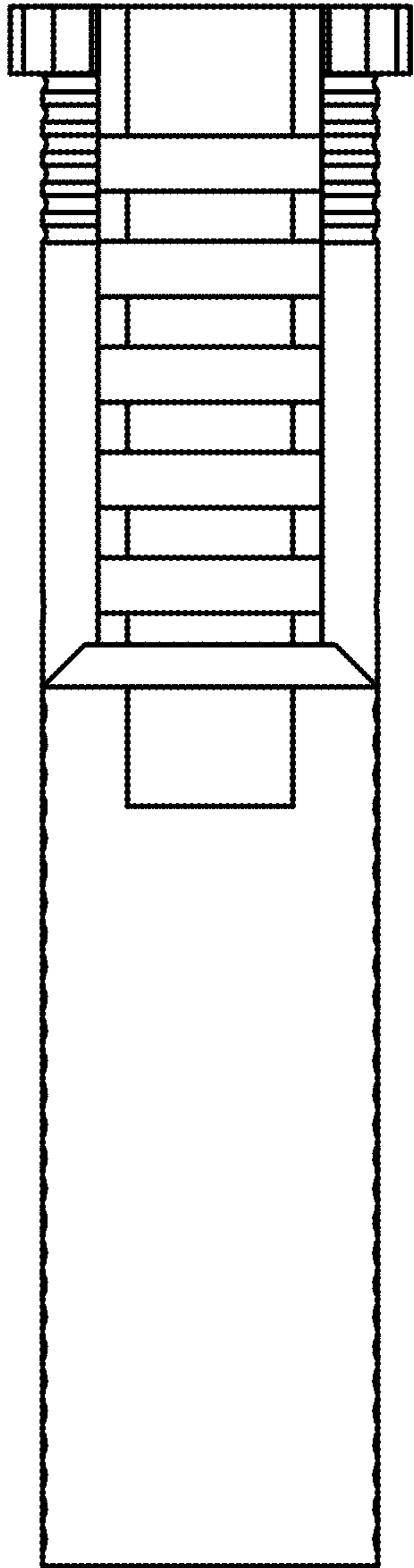


FIG. 4

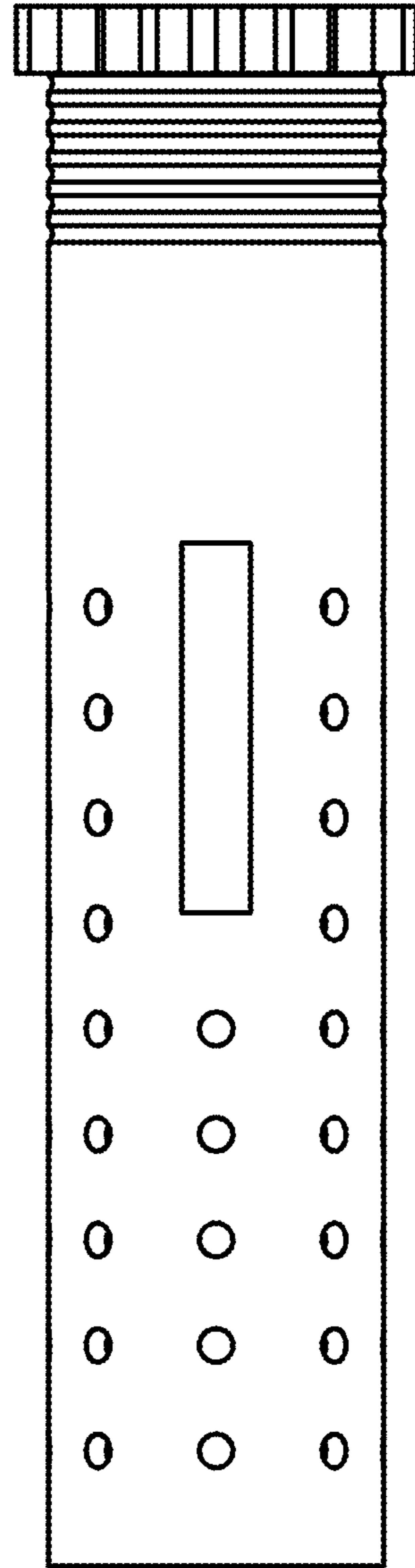


FIG. 5

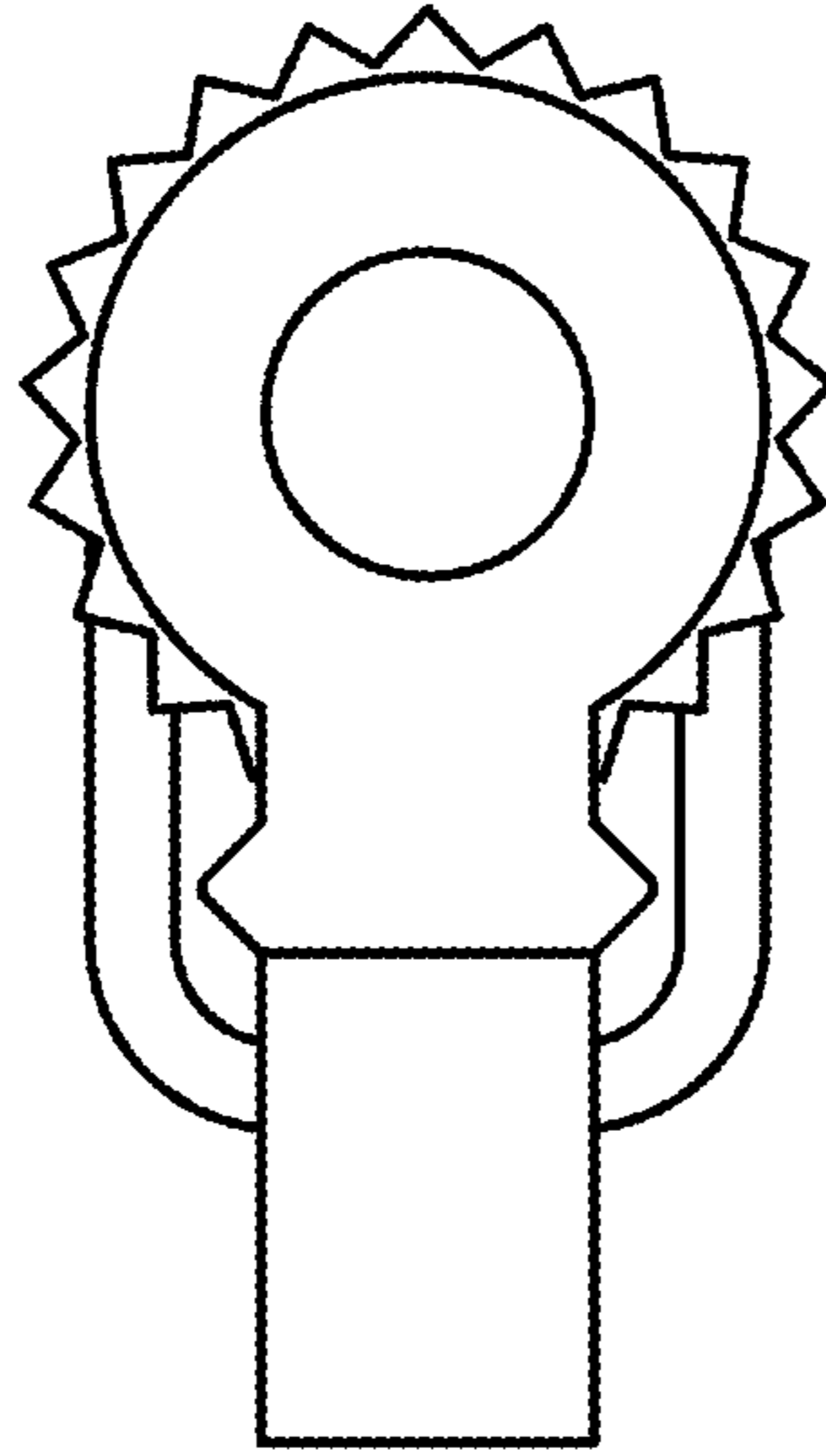


FIG. 6

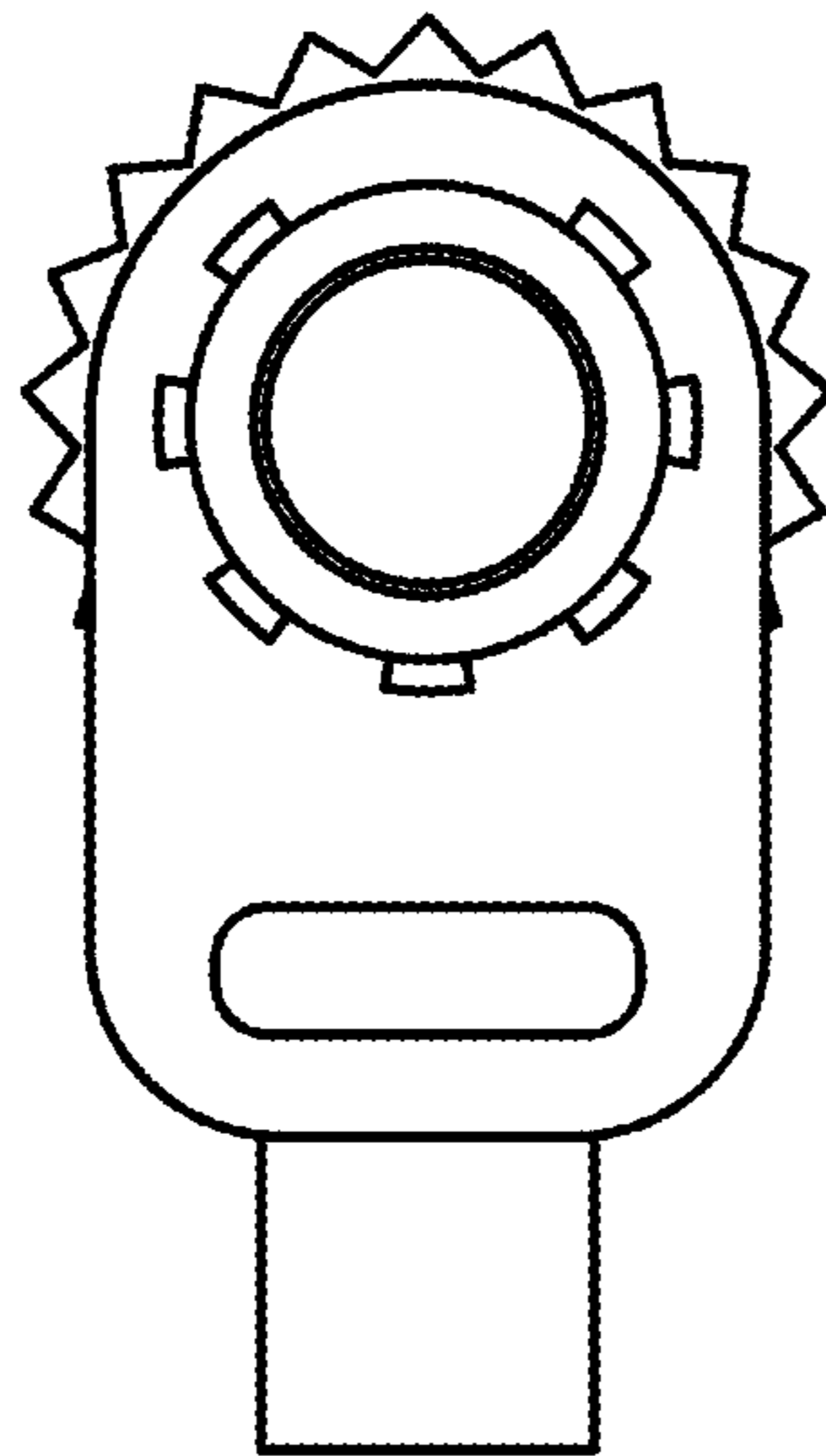


FIG. 7

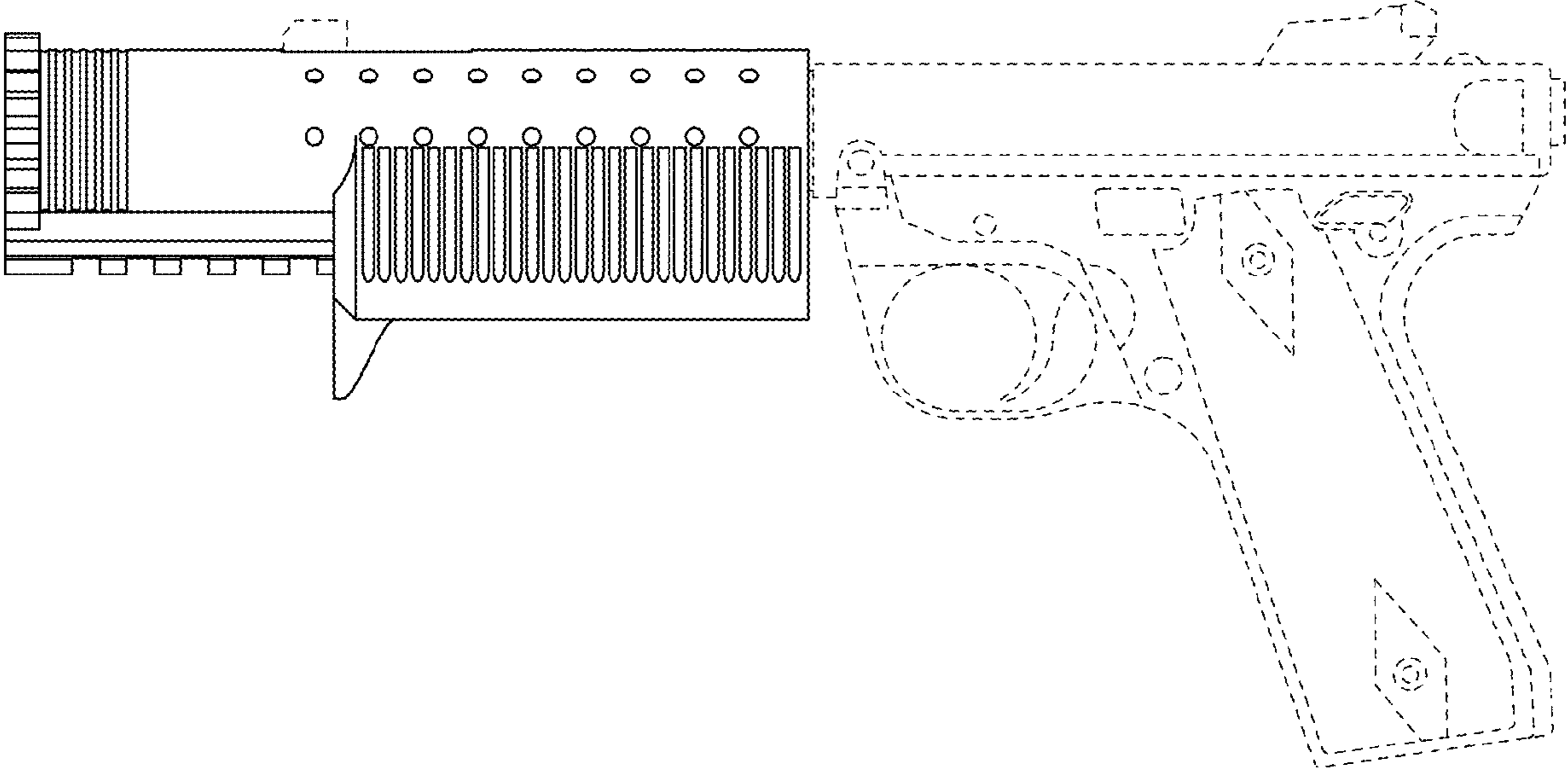


FIG. 8

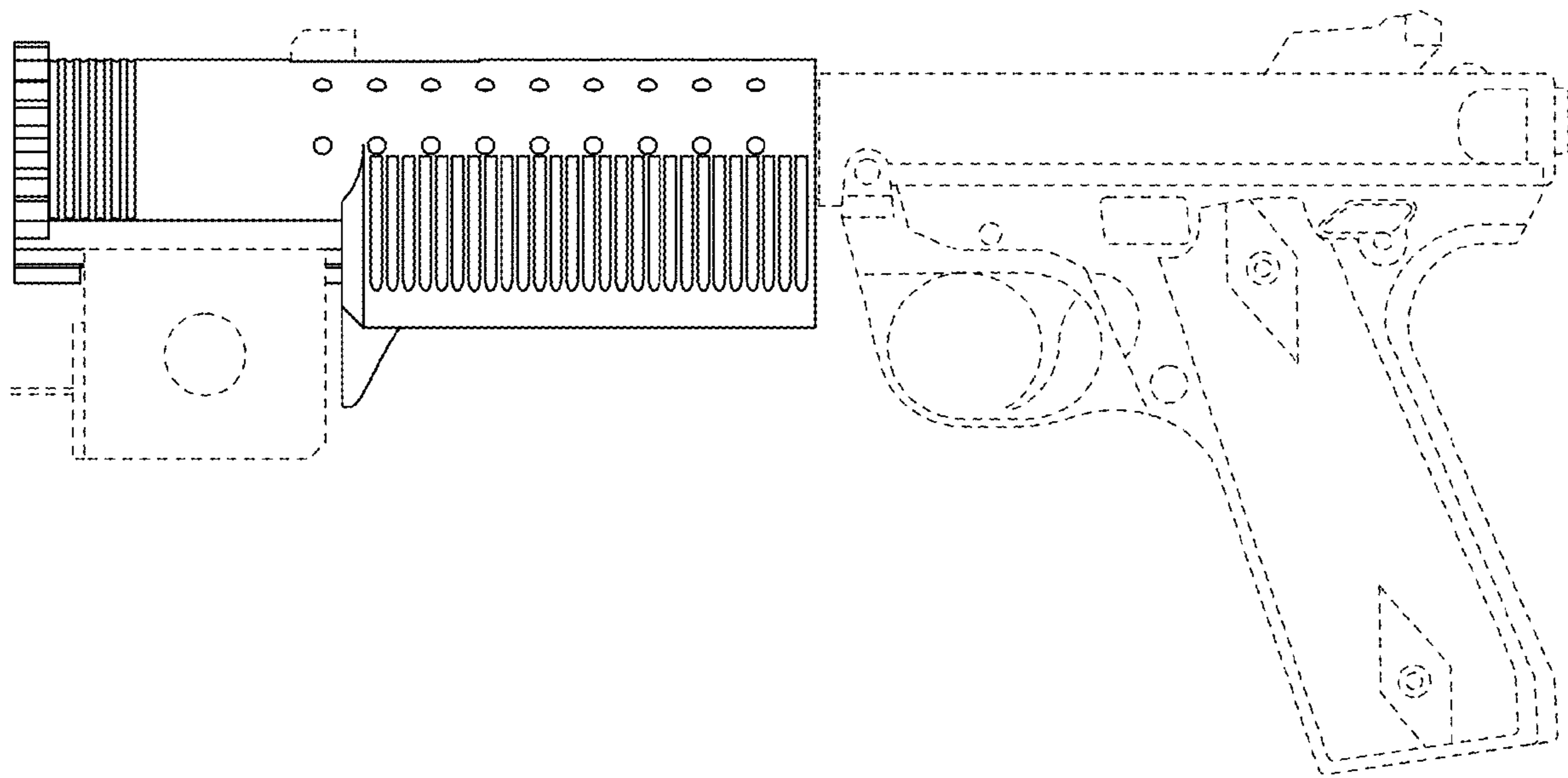


FIG. 9

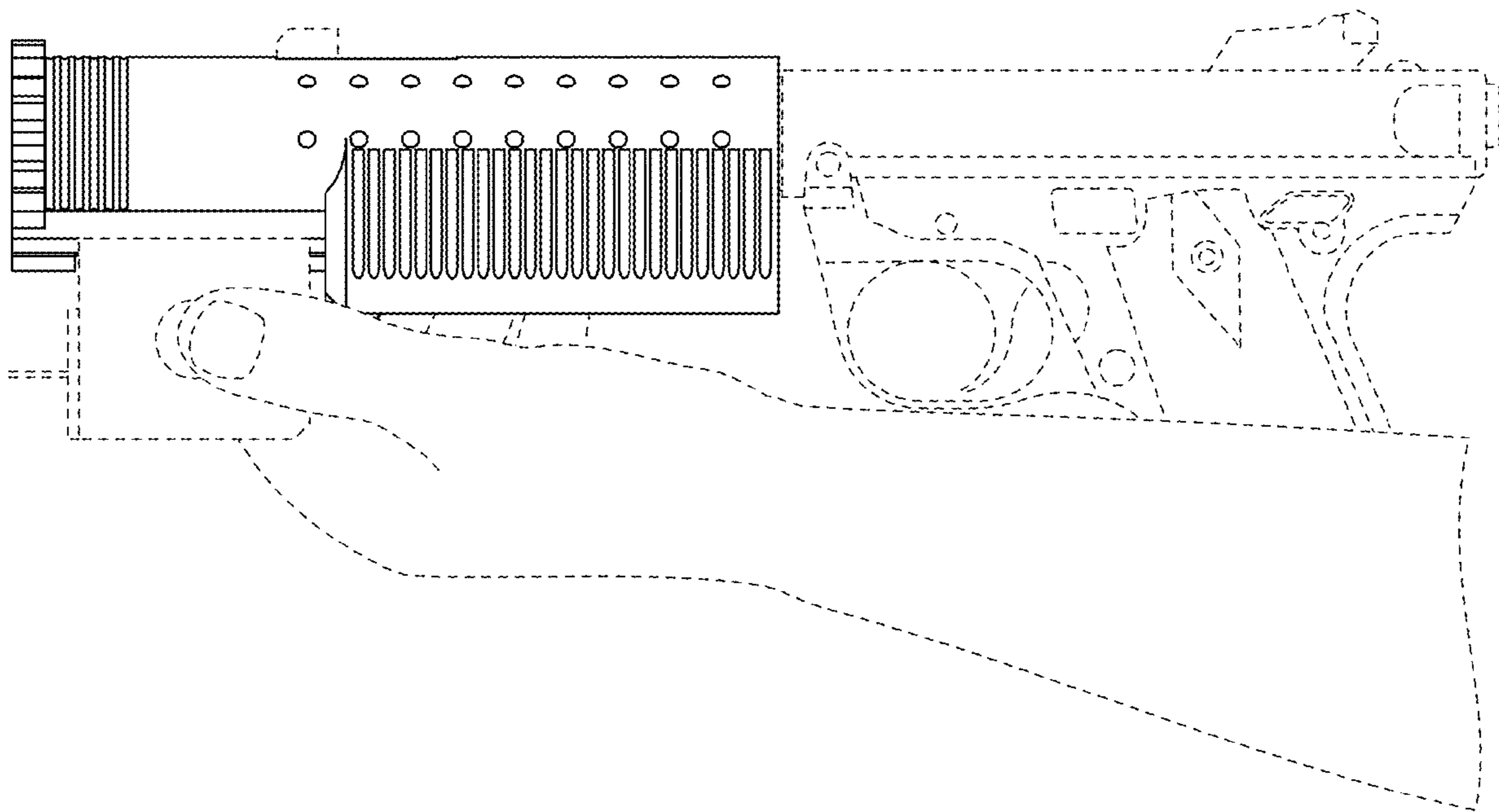


FIG. 10



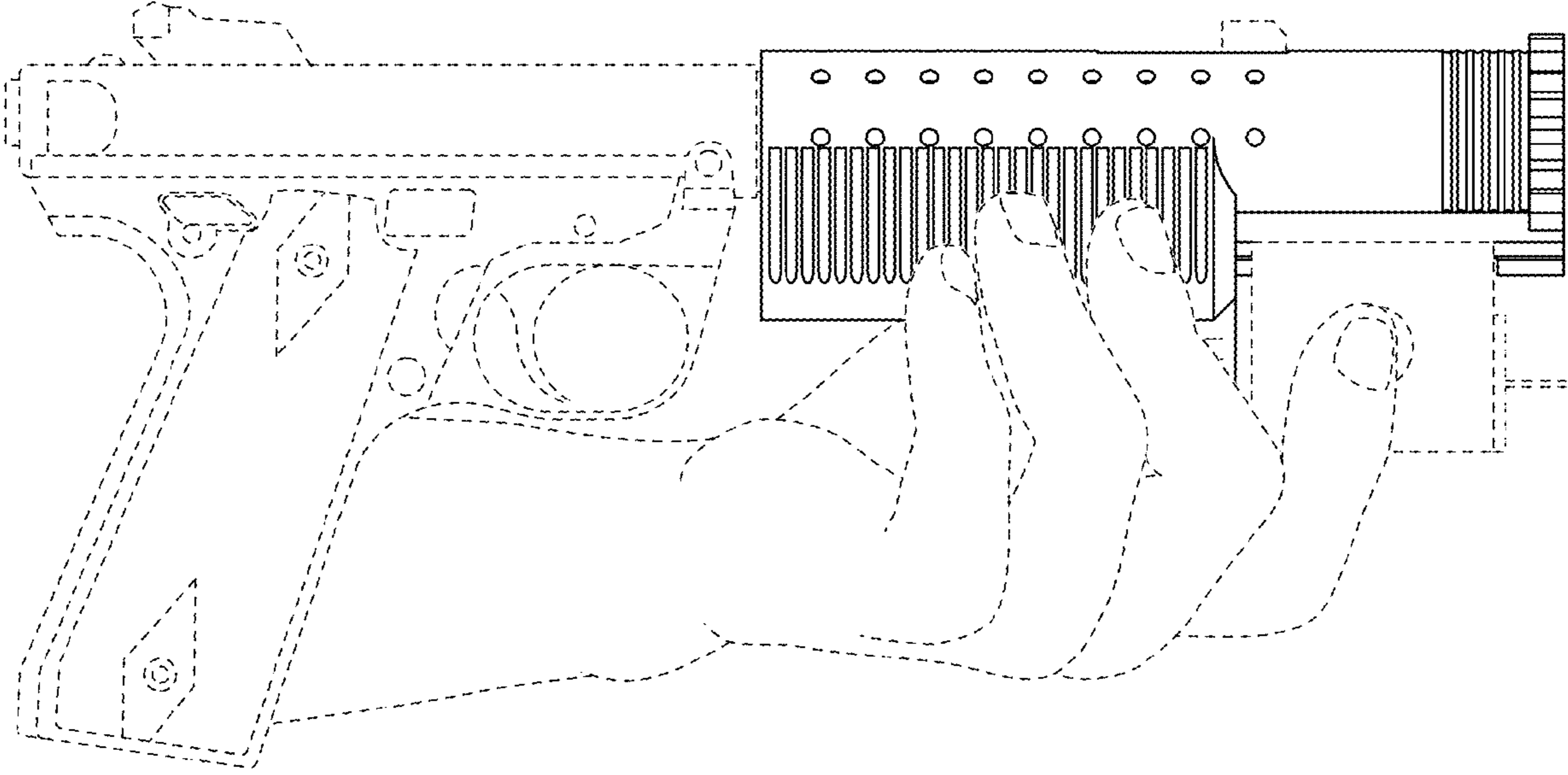


FIG. 11