



US00D969255S

(12) **United States Design Patent** (10) **Patent No.:** **US D969,255 S**
Pei (45) **Date of Patent:** **** Nov. 8, 2022**

(54) **INFLATABLE PLAY STRUCTURE**

(71) Applicant: **Siyu Pei**, Shenzhen (CN)

(72) Inventor: **Siyu Pei**, Shenzhen (CN)

(**) Term: **15 Years**

(21) Appl. No.: **29/798,872**

(22) Filed: **Jul. 12, 2021**

(51) **LOC (13) Cl.** **21-04**

(52) **U.S. Cl.**

USPC **D21/835**; D21/820

(58) **Field of Classification Search**

USPC D21/811, 814, 816, 820, 827, 835

CPC .. A63G 31/12; E04H 15/20; E04H 2015/201;

E04H 2015/202; E04H 2015/204; E04H

2015/209

See application file for complete search history.

(56) **References Cited**

U.S. PATENT DOCUMENTS

D389,217 S *	1/1998	Rubio	D21/814
D422,667 S *	4/2000	Lau	D21/814
D595,802 S *	7/2009	Boulton	D21/835
D597,163 S	7/2009	Boulton et al.		
D600,769 S	9/2009	Xiao		
D600,770 S	9/2009	Xiao		
D627,848 S	11/2010	Cline		
D680,184 S *	4/2013	O'Rourke	D21/835
9,861,901 B1 *	1/2018	Pierzynski	E04H 15/20
D823,418 S	7/2018	Bagumyan et al.		
D866,698 S	11/2019	Wu		
2009/0211168 A1 *	8/2009	Bogar	A63G 31/12
				52/2.17
2015/0148141 A1 *	5/2015	Thompson	A63G 31/12
				472/134

OTHER PUBLICATIONS

Cloud 9 Inflatable Bounce House, Reviewed and online as early as Mar. 24, 2020 [online], [site visited Apr. 23, 2022]. Available from Internet: <URL:https://www.amazon.com/Cloud-Inflatable-Bounce-House-Blower/dp/B07TJ9WCKP/> (Year: 2020).*

Bounceland Rainbow Unicorn Bounce House, Amazon Release date May 1, 2020 [online], [site visited Apr. 23, 2022]. Available from Internet: <URL:https://www.amazon.com/Bounceland-inflated-Certified-Included-inflates/dp/B08MZBZPBS/> (Year: 2020).*

* cited by examiner

Primary Examiner — Cynthia M. Chin

(74) *Attorney, Agent, or Firm* — Rumit Ranjit Kanakia

(57) **CLAIM**

The ornamental design for an inflatable play structure, as shown and described.

DESCRIPTION

FIG. 1 is a perspective view of an inflatable play structure showing my new design;

FIG. 2 is a front view thereof;

FIG. 3 is a rear view thereof;

FIG. 4 is a right-side view thereof;

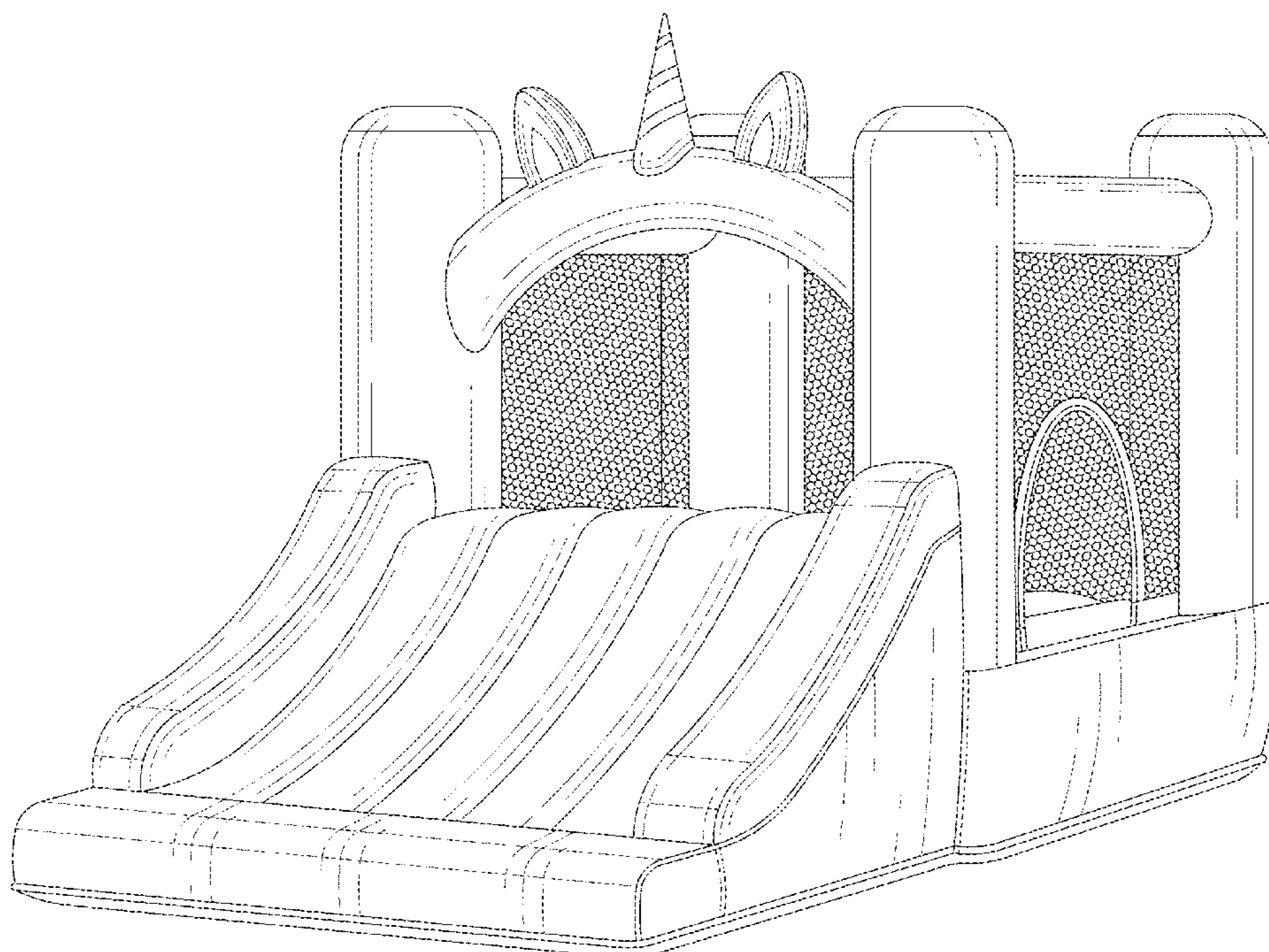
FIG. 5 is a left-side view thereof;

FIG. 6 is a top view thereof; and,

FIG. 7 is a bottom view thereof.

The broken lines in the drawings depict portions of the inflatable play structure that form no part of the claimed design.

1 Claim, 7 Drawing Sheets



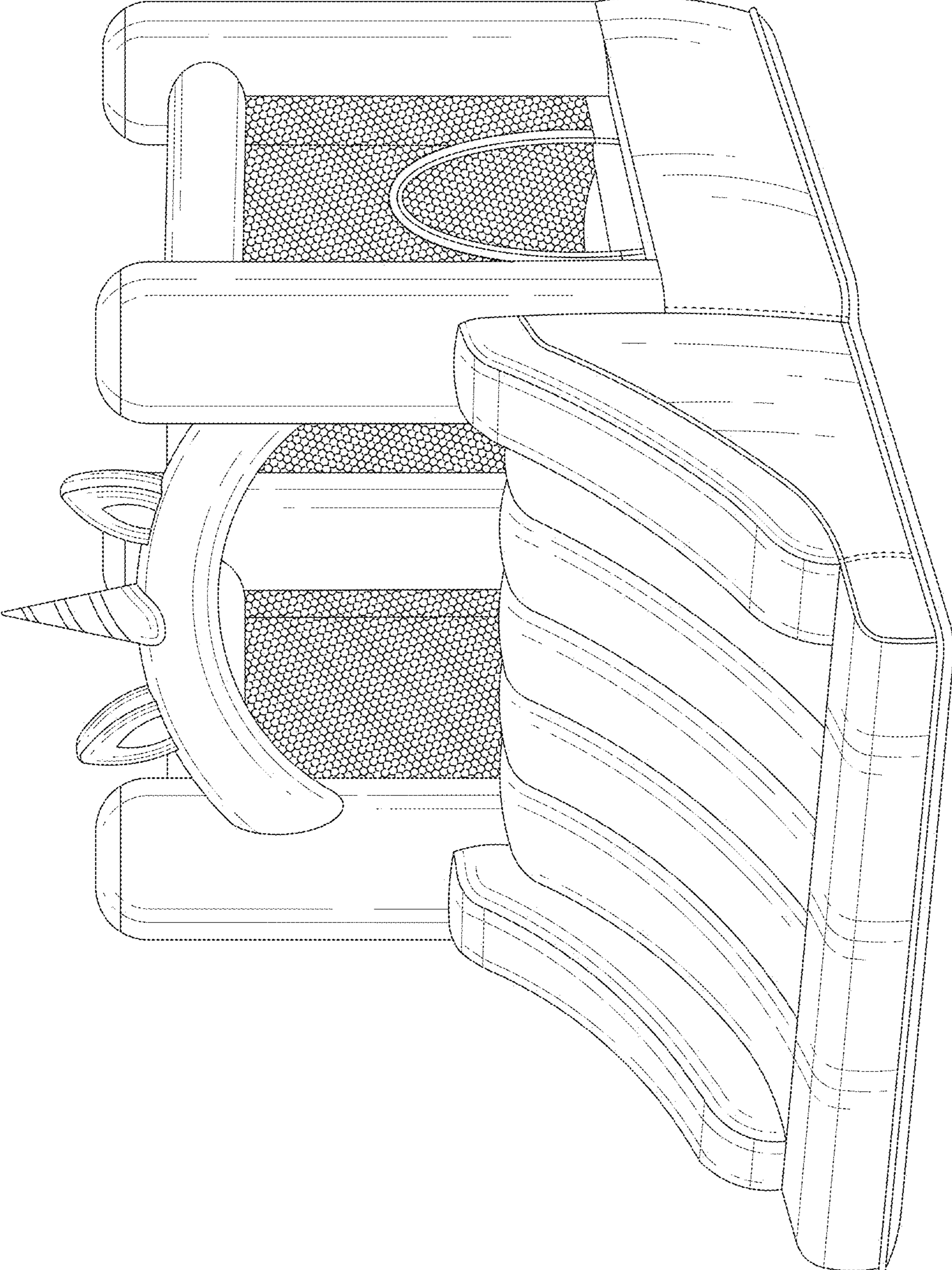


FIG.1

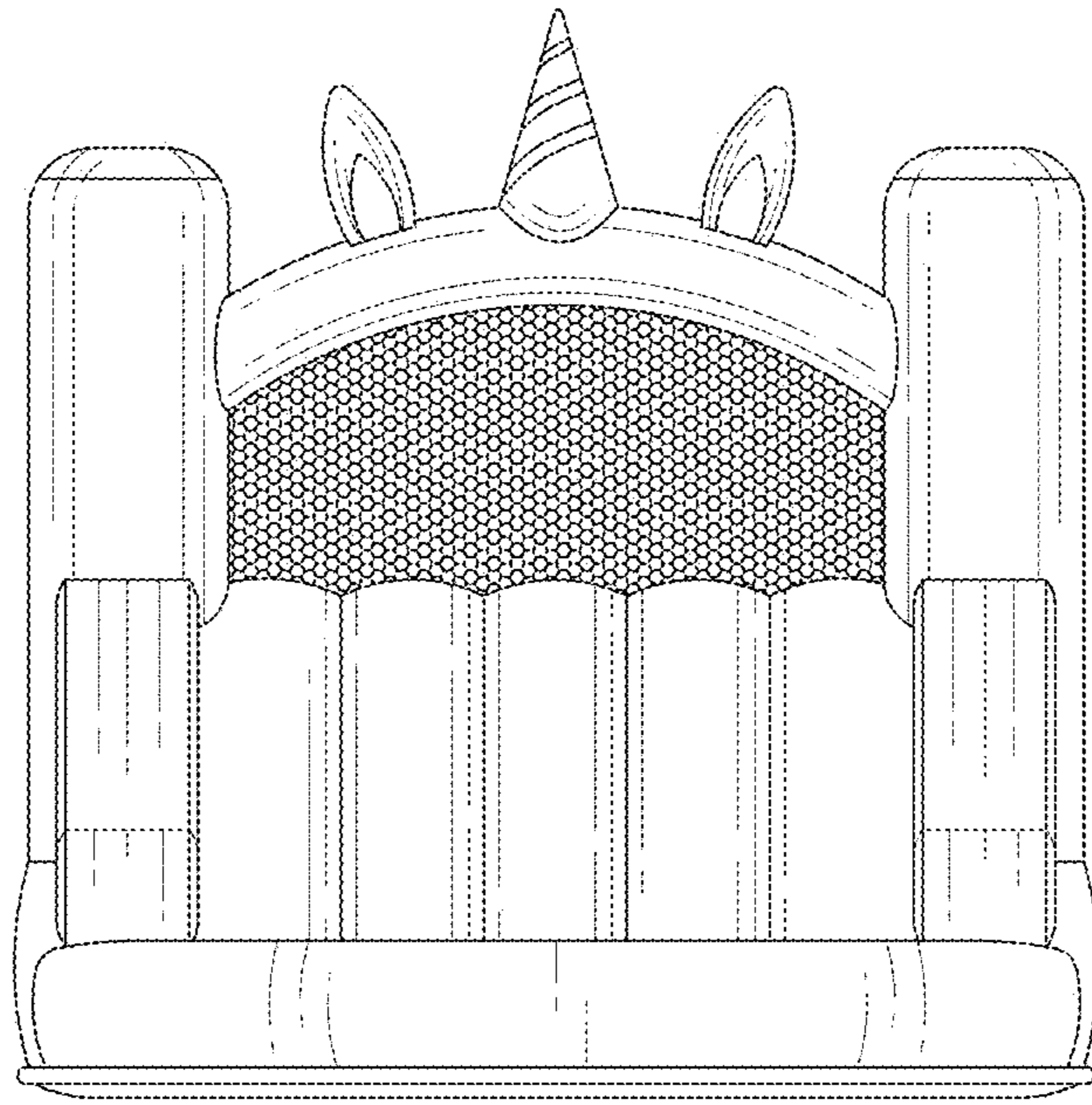


FIG.2

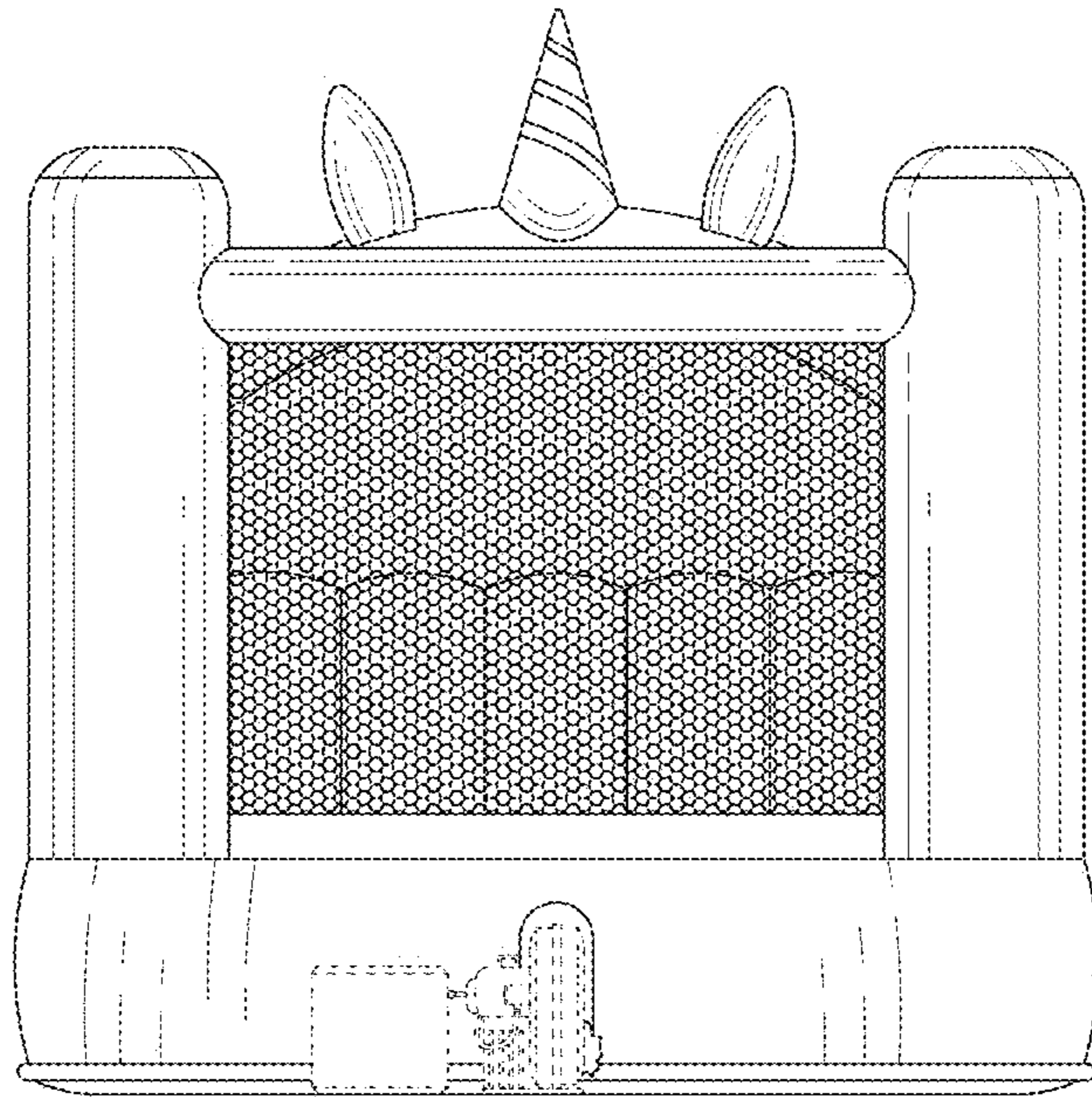


FIG.3

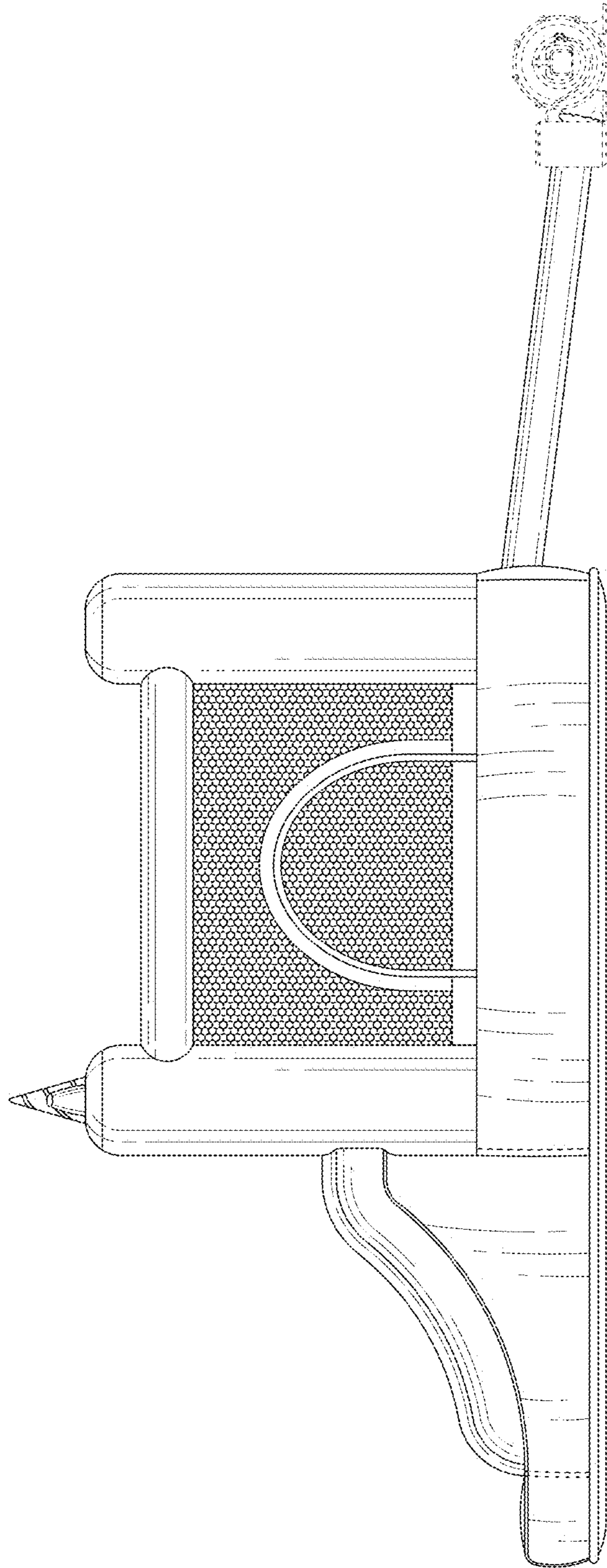


FIG.4

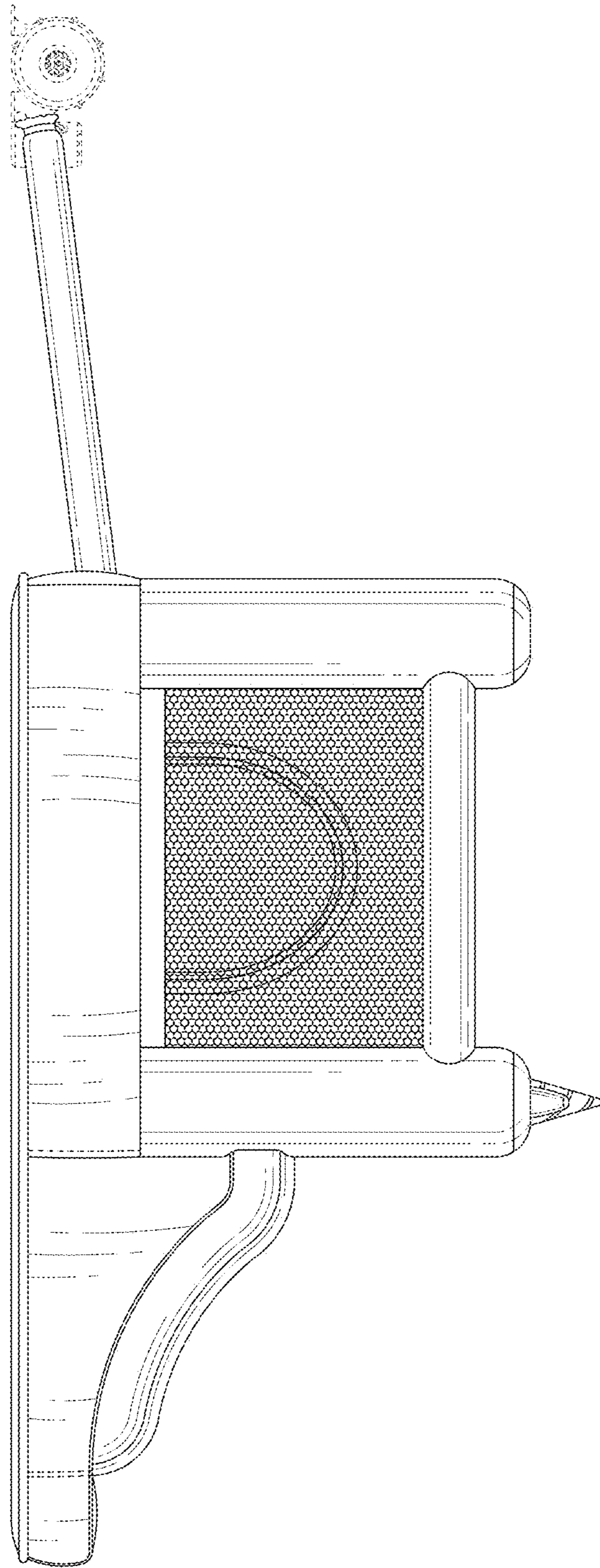


FIG.5

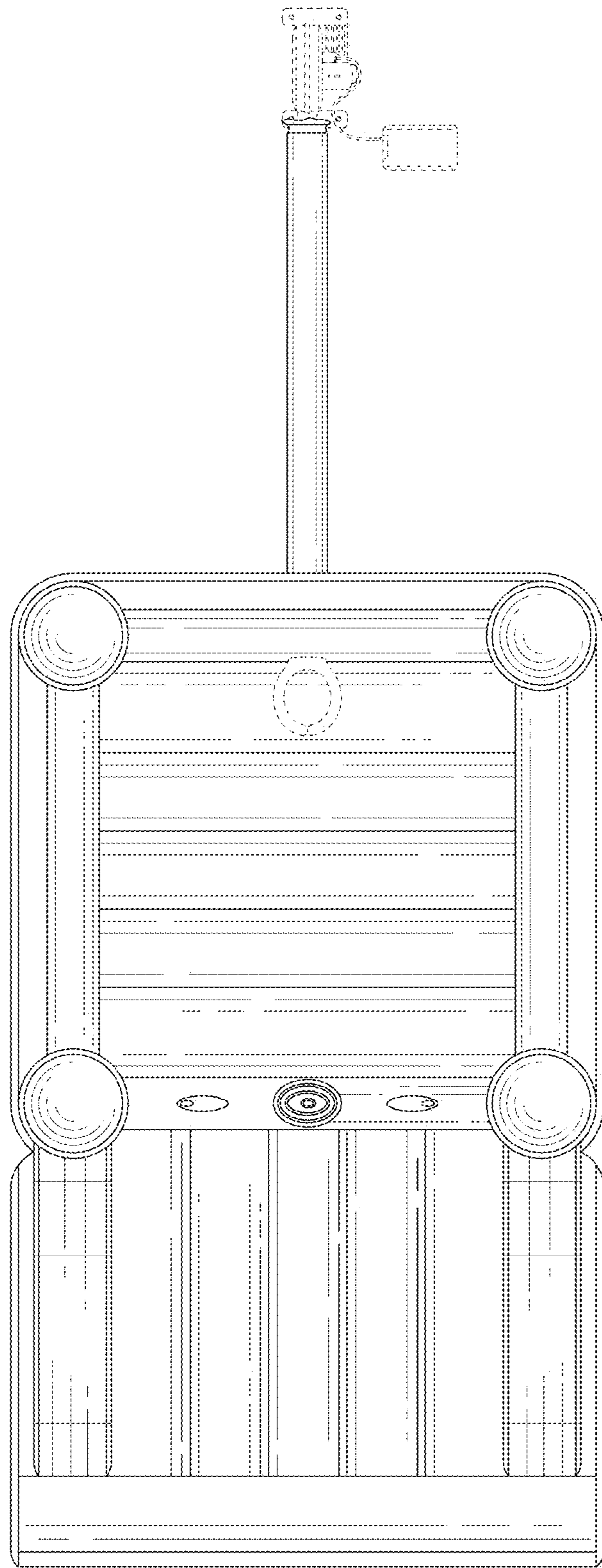


FIG. 6

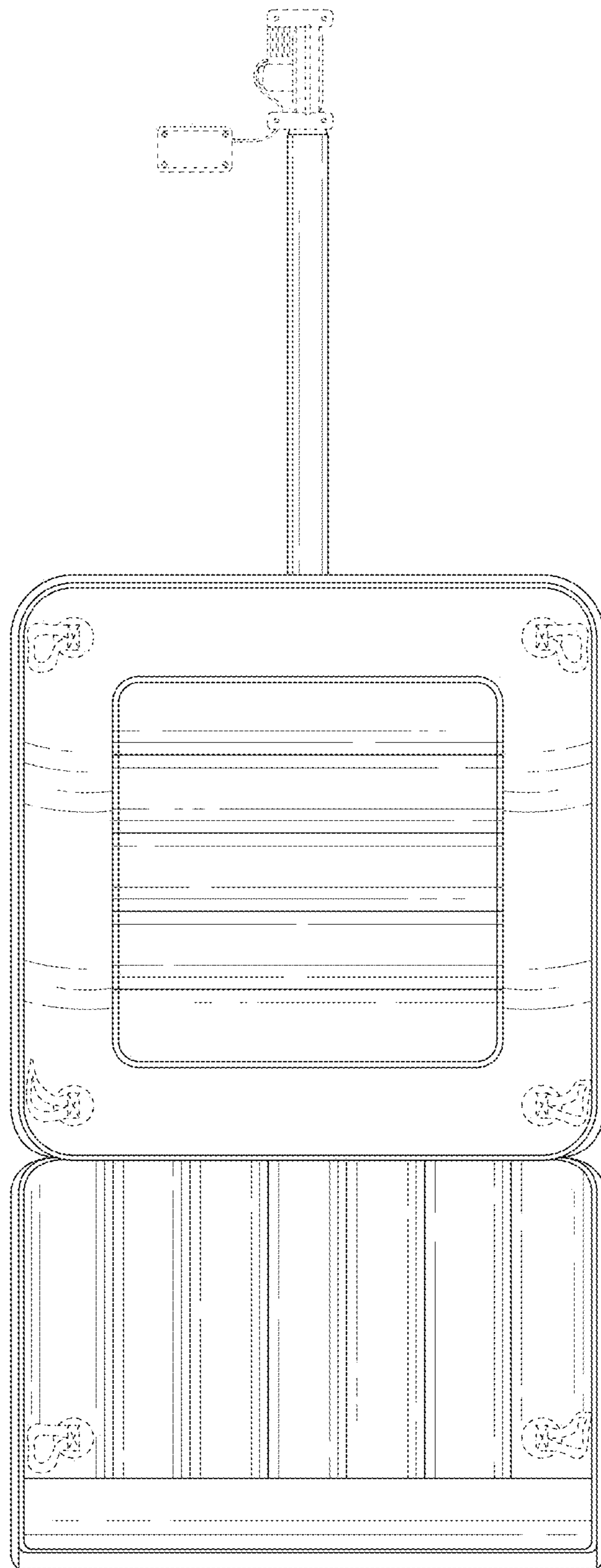


FIG. 7