



US00D969253S

(12) **United States Design Patent** (10) **Patent No.:** **US D969,253 S**
Lin (45) **Date of Patent:** **** Nov. 8, 2022**

(54) **POOL TOY**

(71) Applicant: **Haosen Lin**, Shenzhen (CN)

(72) Inventor: **Haosen Lin**, Shenzhen (CN)

(**) Term: **15 Years**

(21) Appl. No.: **29/841,758**

(22) Filed: **Jun. 8, 2022**

(51) **LOC (13) Cl.** **21-01**

(52) **U.S. Cl.**
USPC **D21/808**

(58) **Field of Classification Search**
USPC D6/597-599, 601; D21/597, 803,
D21/805-806, 808, 809
CPC A63H 3/06; A63H 3/26
See application file for complete search history.

(56) **References Cited**

U.S. PATENT DOCUMENTS

- D489,426 S * 5/2004 Oakley D21/803
- 7,284,732 B1 * 10/2007 Lopa B65F 1/1415
248/101
- D650,543 S * 12/2011 Smart D34/6
- D768,245 S 10/2016 Matthews
- D785,119 S 4/2017 Hempton
- D786,593 S * 5/2017 Almaghlouth D6/692.4
- D787,617 S 5/2017 Krepack
- D858,674 S * 9/2019 Shu D21/808
- D868,344 S * 11/2019 Sonneman D26/118
- D868,921 S 12/2019 Tanoury et al.
- D871,533 S * 12/2019 Sideris D21/801
- D872,204 S * 1/2020 Sideris D21/801
- D882,201 S * 4/2020 Low D34/6
- D901,240 S * 11/2020 Armistead D23/209
- D928,286 S 8/2021 Huang
- D929,525 S 8/2021 Hsu
- D950,667 S 5/2022 Huang
- D953,459 S * 5/2022 Huang D21/781
- D953,460 S * 5/2022 Huang D21/781
- D959,555 S * 8/2022 Wen D21/808

- 2003/0064861 A1 * 4/2003 Chen A63B 5/11
482/27
- 2004/0102260 A1 * 5/2004 Chia A63B 63/083
273/350
- 2005/0197197 A1 * 9/2005 Scott A63B 63/08
473/173
- 2007/0111860 A1 * 5/2007 Publicover E04H 4/0025
482/29

(Continued)

OTHER PUBLICATIONS

GiziGizi, GiziGizi 2-in-1 Pool Floats Toys Games Set, Inflatable Pool Basketball Hoop & Ring Toss Game, Summer Party Swimming Pool Toy for Toddler Kids Adults Family, Outdoor Poolside Water Toys for Boys Girls, Applicant started the first sale of this product Jun. 4, 2022. The link of the sale: <https://www.amazon.com/dp/B09W8NBWJ6>.

Primary Examiner — Michael C Stout
Assistant Examiner — Melvin L Davis
(74) *Attorney, Agent, or Firm* — Xiaofang Zhong; Law Office of Xiaofang Zhong, PLLC

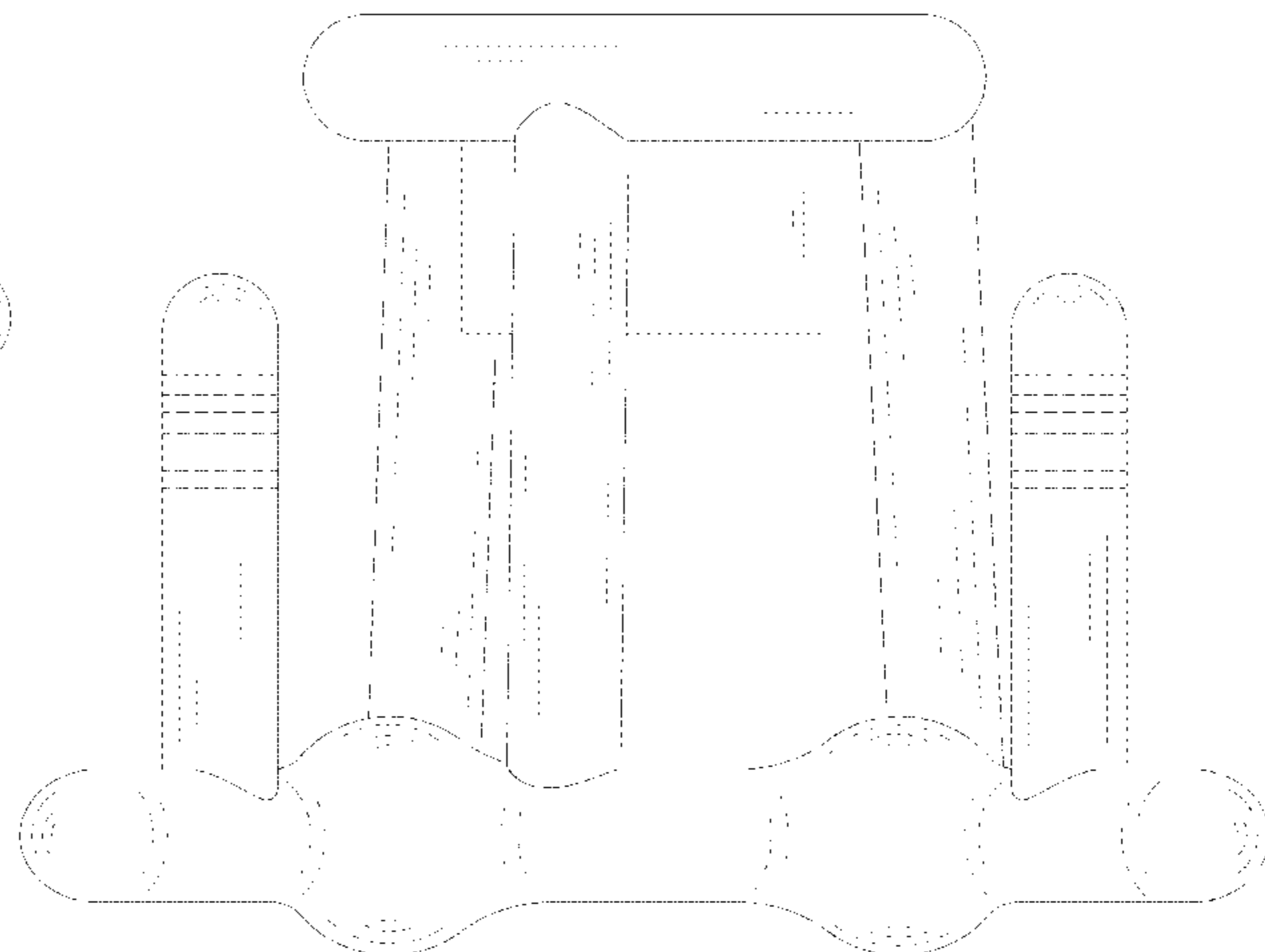
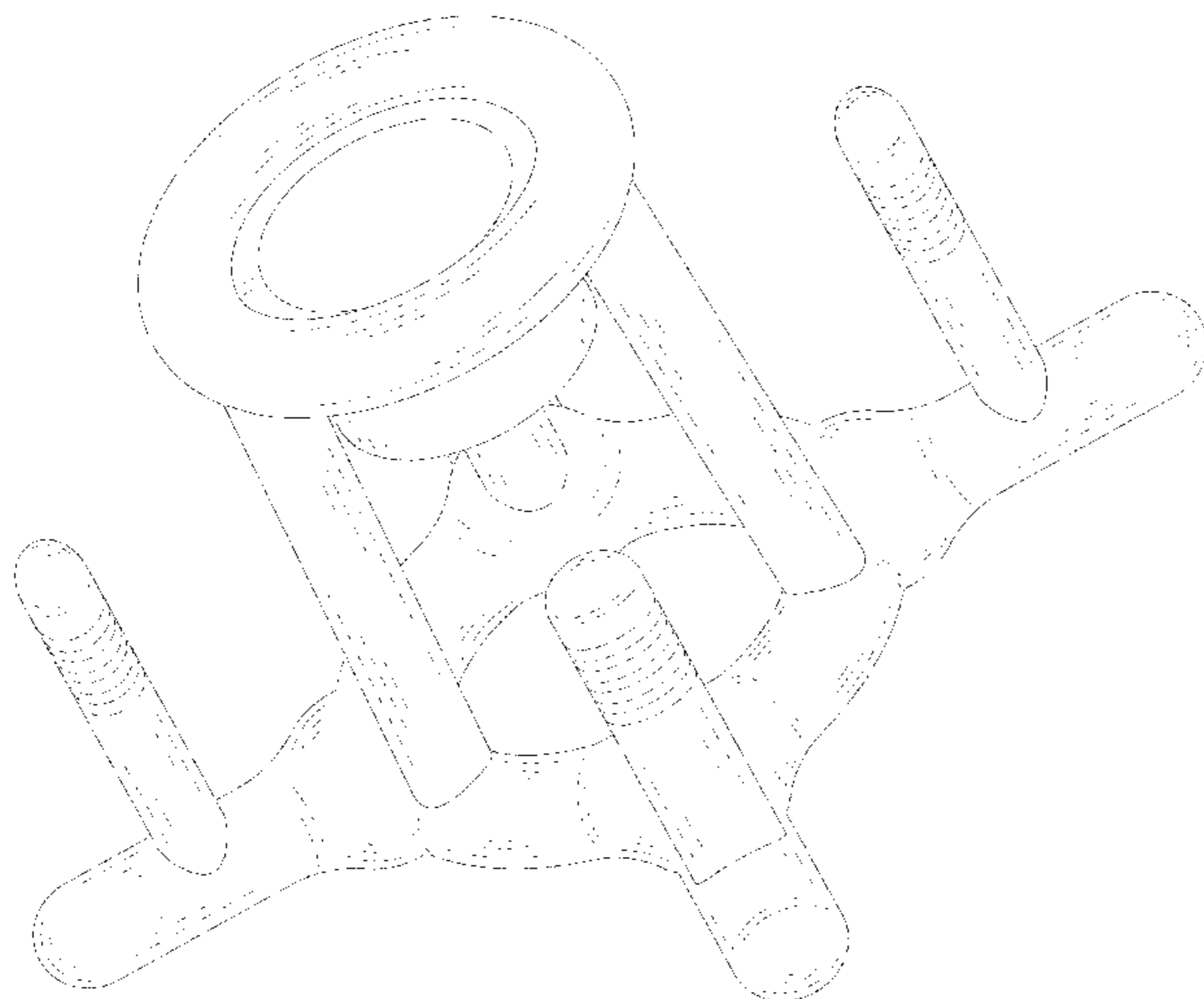
(57) **CLAIM**

The ornamental design for a pool toy, as shown and described.

DESCRIPTION

FIG. 1 is a perspective view of a pool toy showing my new design;
FIG. 2 is another perspective view thereof;
FIG. 3 is a front elevational view thereof;
FIG. 4 is a rear elevational view thereof;
FIG. 5 is a right view thereof;
FIG. 6 is a left view thereof;
FIG. 7 is a top plan view thereof; and,
FIG. 8 is a bottom plan view thereof.
The broken lines illustrate portions of the pool toy that form no part of the claimed design.

1 Claim, 8 Drawing Sheets



(56)

References Cited

U.S. PATENT DOCUMENTS

2021/0260455 A1* 8/2021 Samp A63B 63/08

* cited by examiner

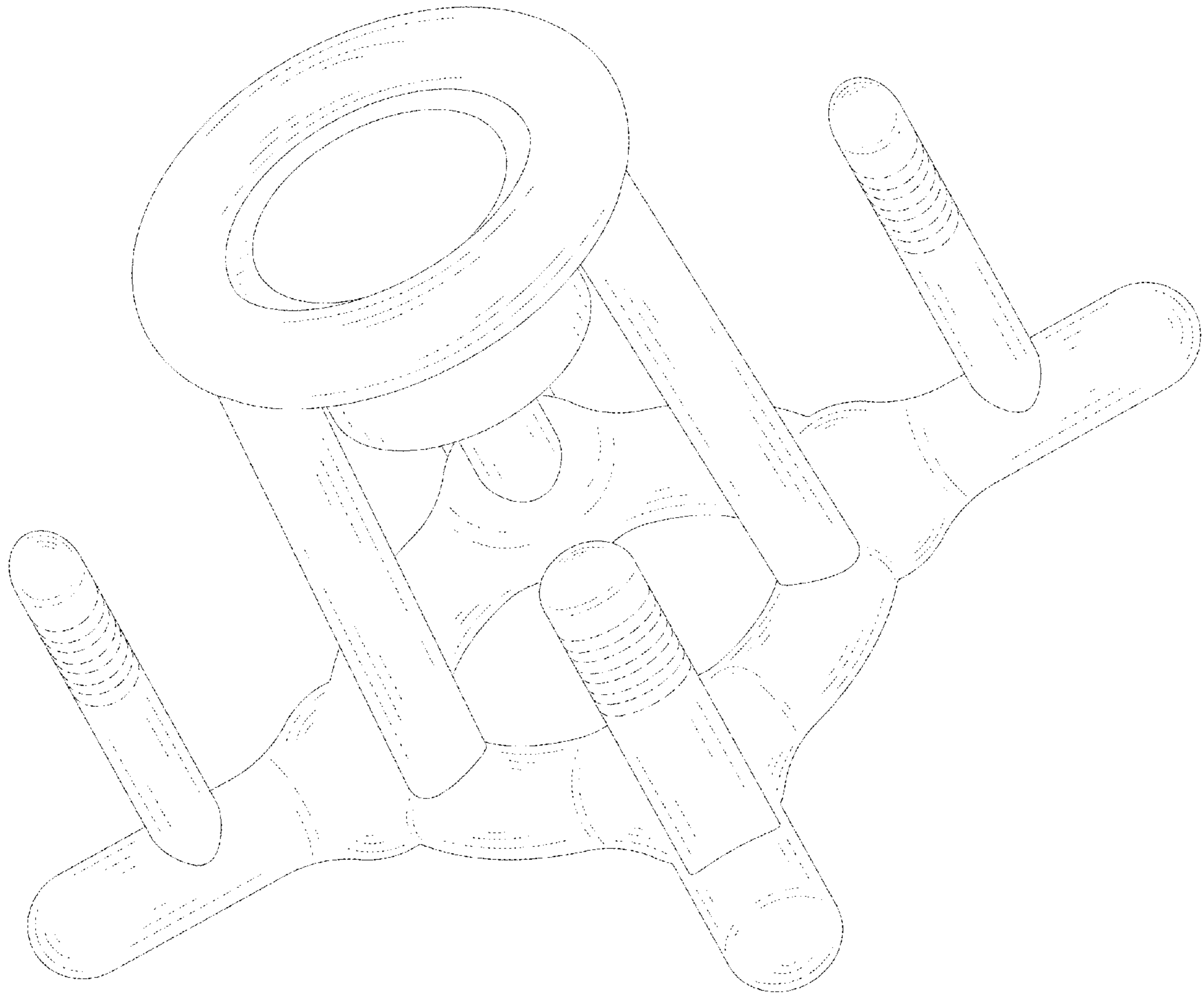


FIG.1

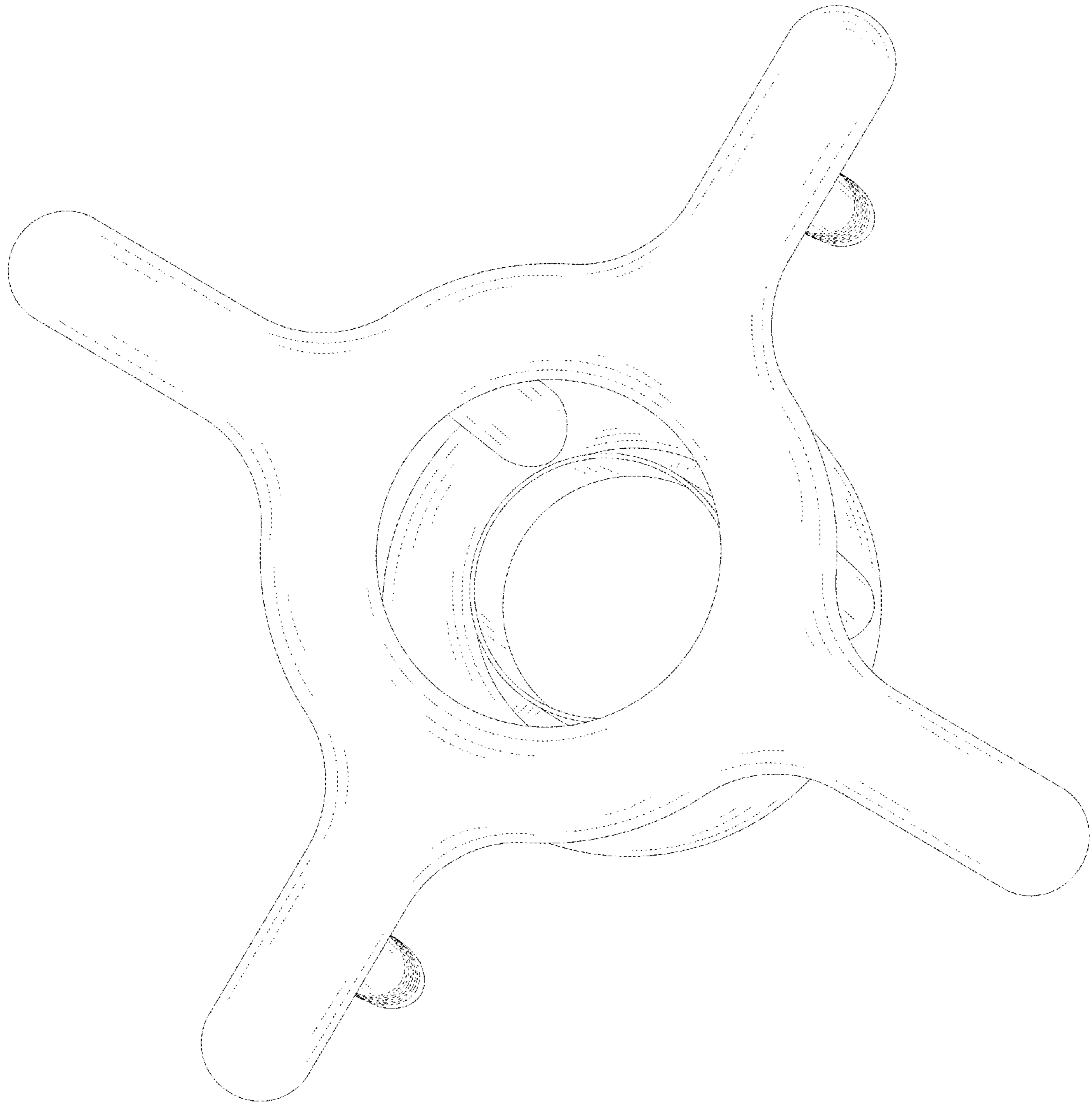


FIG.2

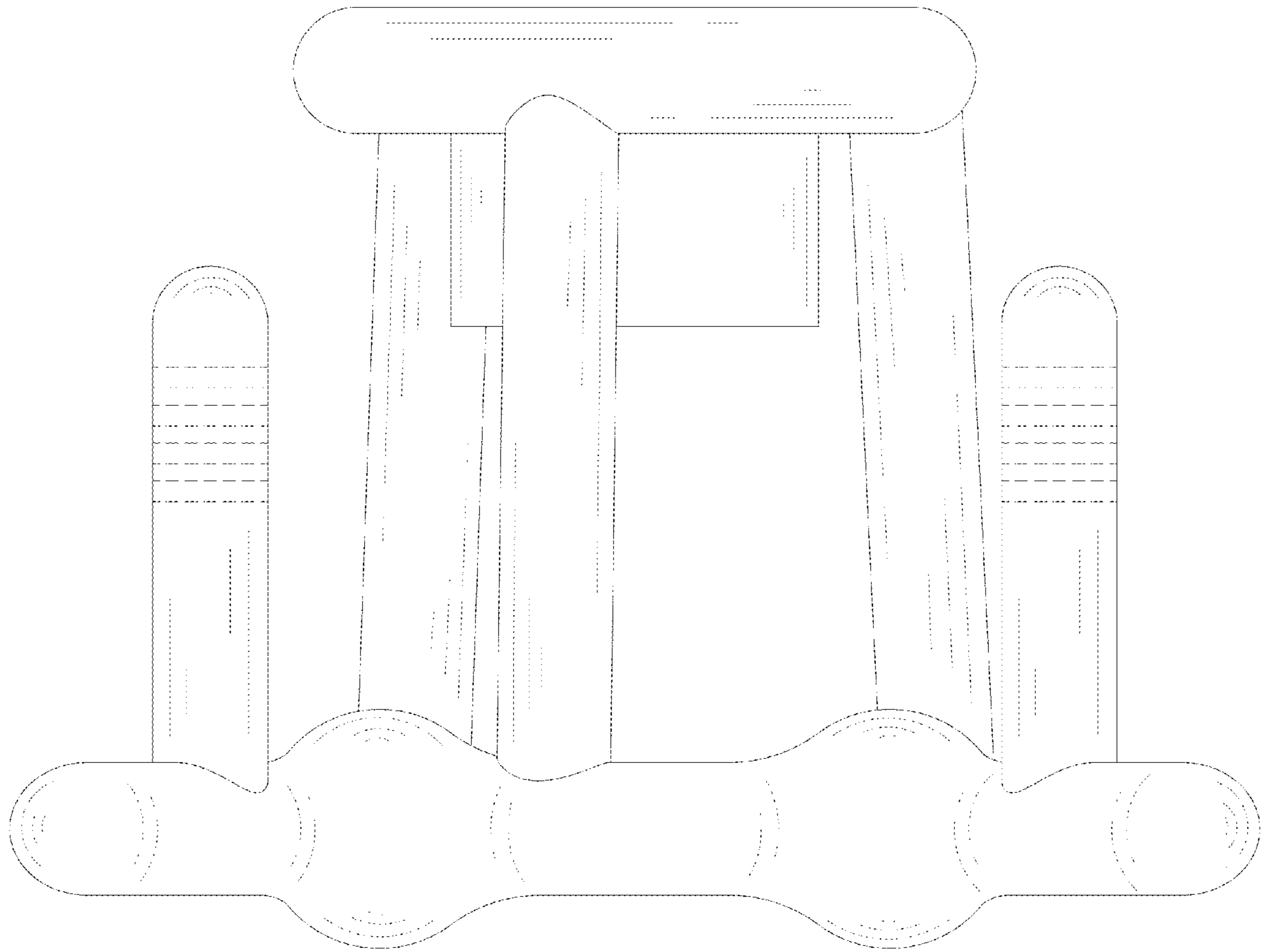


FIG. 3

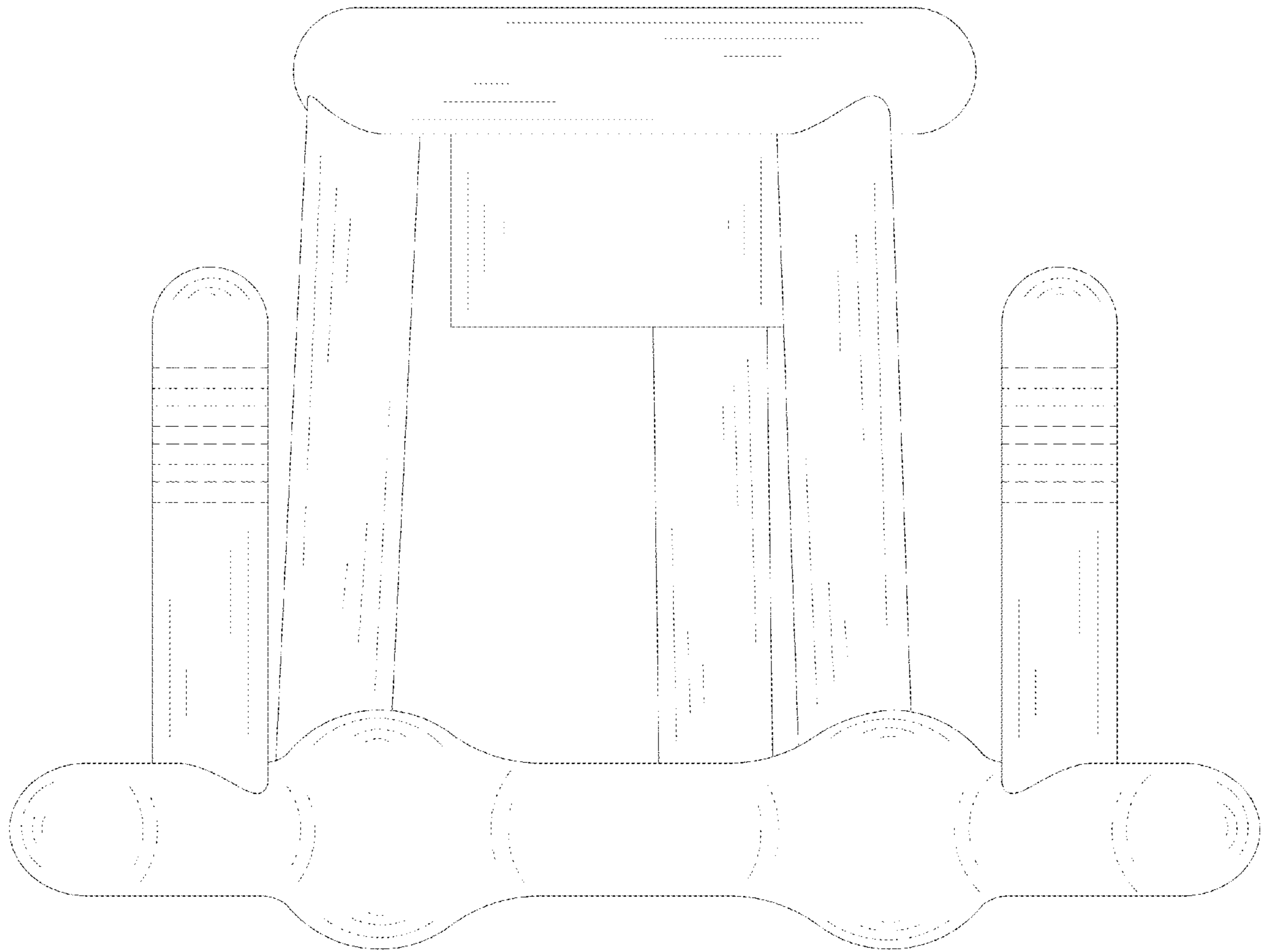


FIG. 4

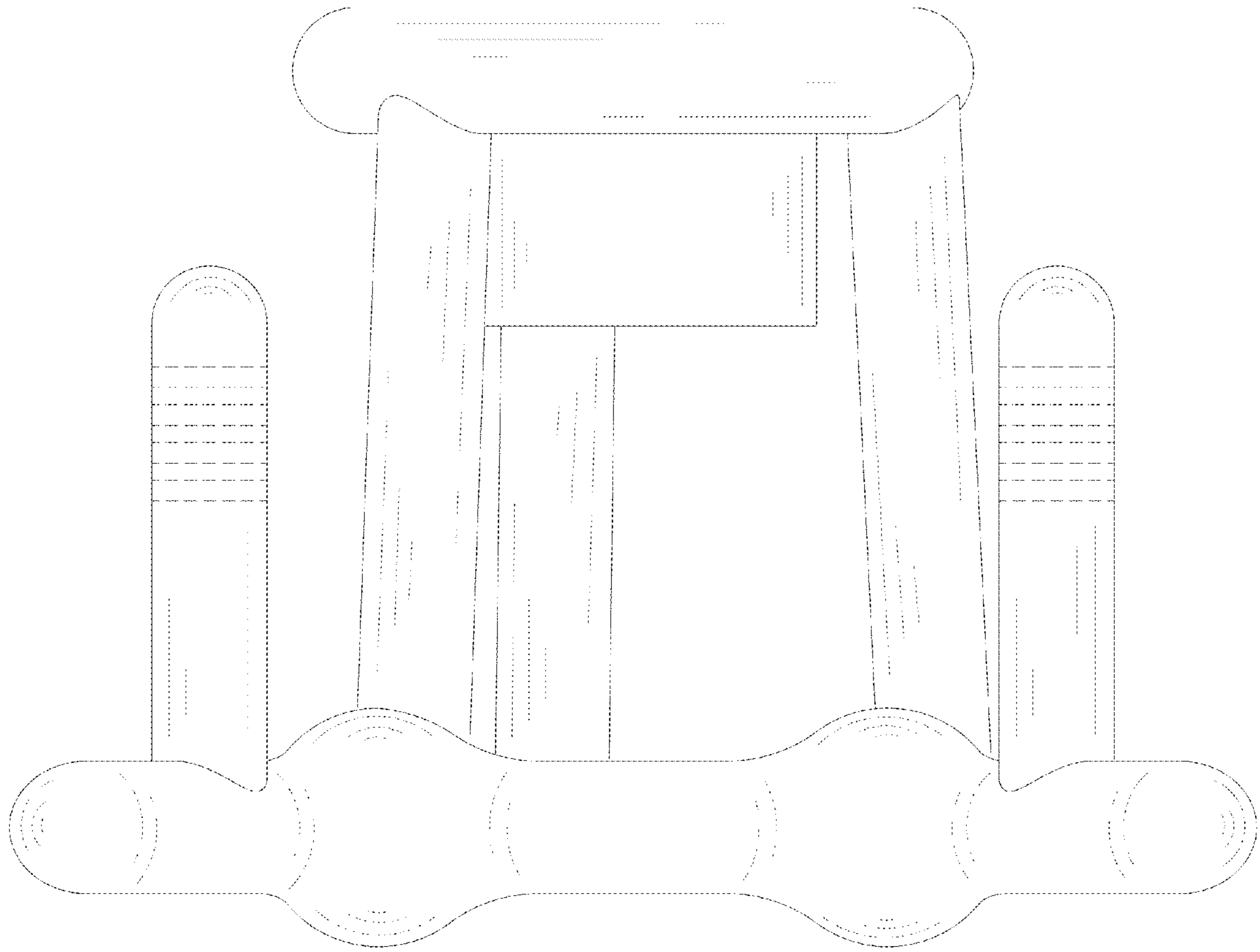


FIG.5

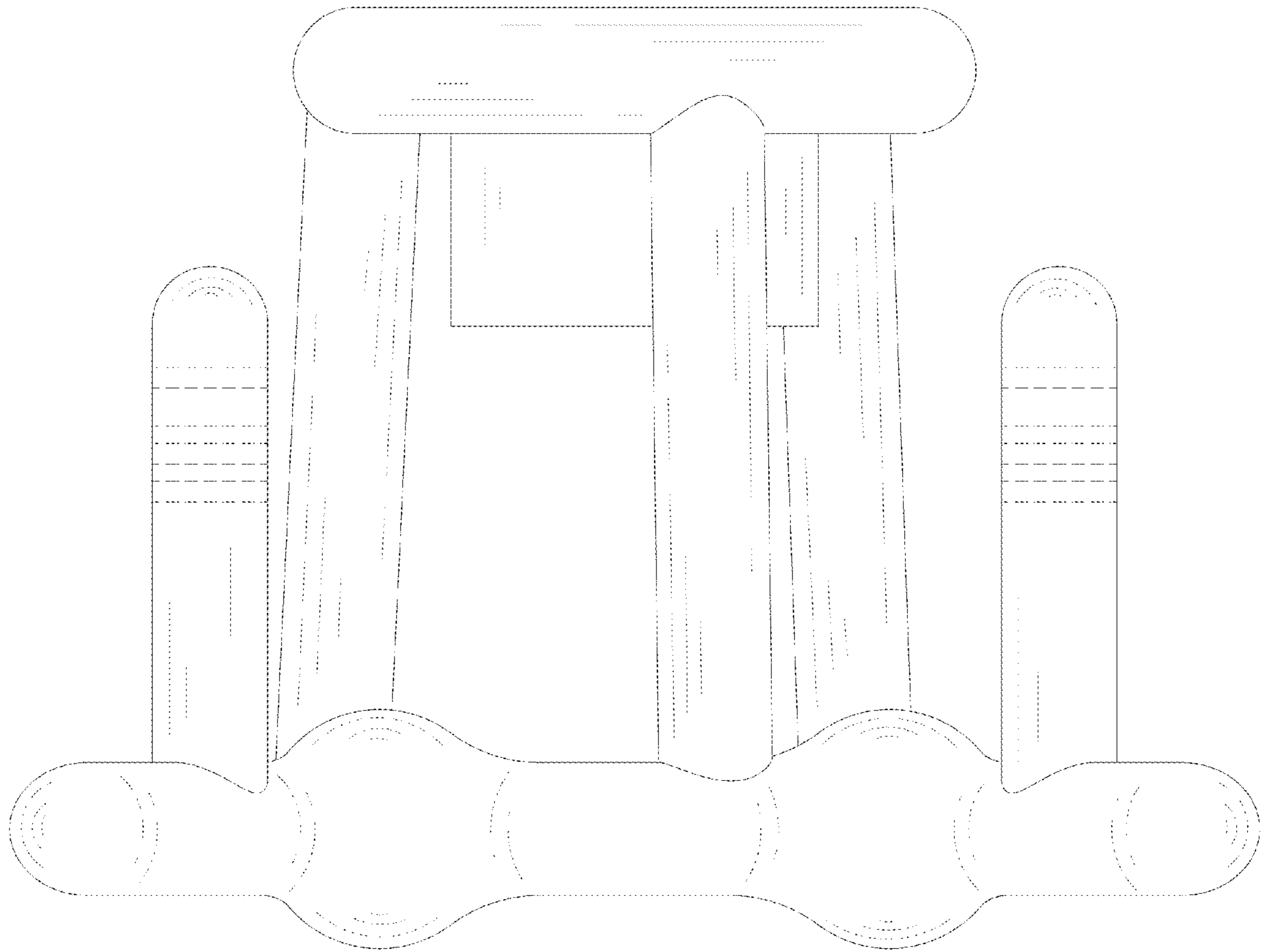


FIG. 6

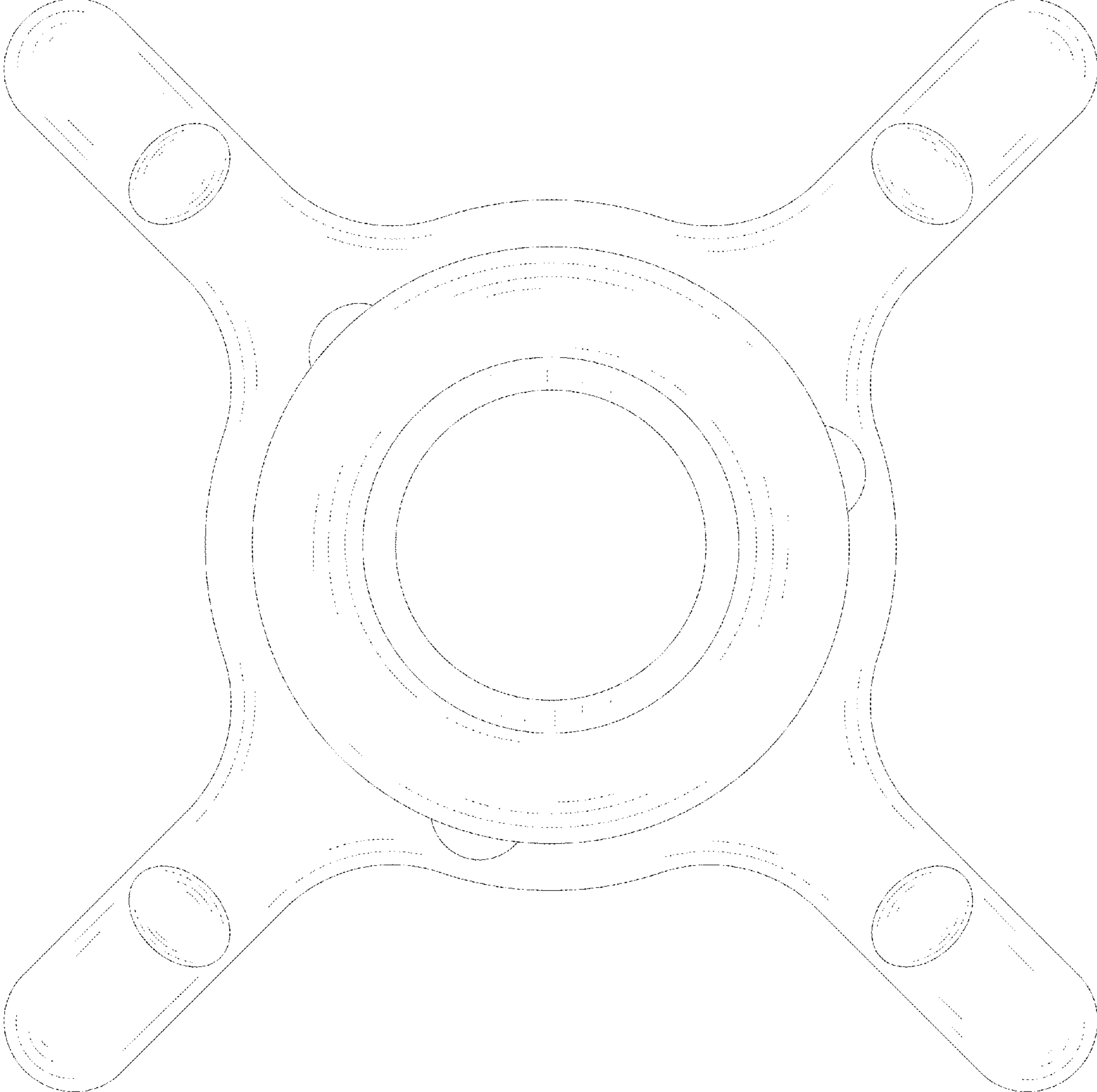


FIG. 7

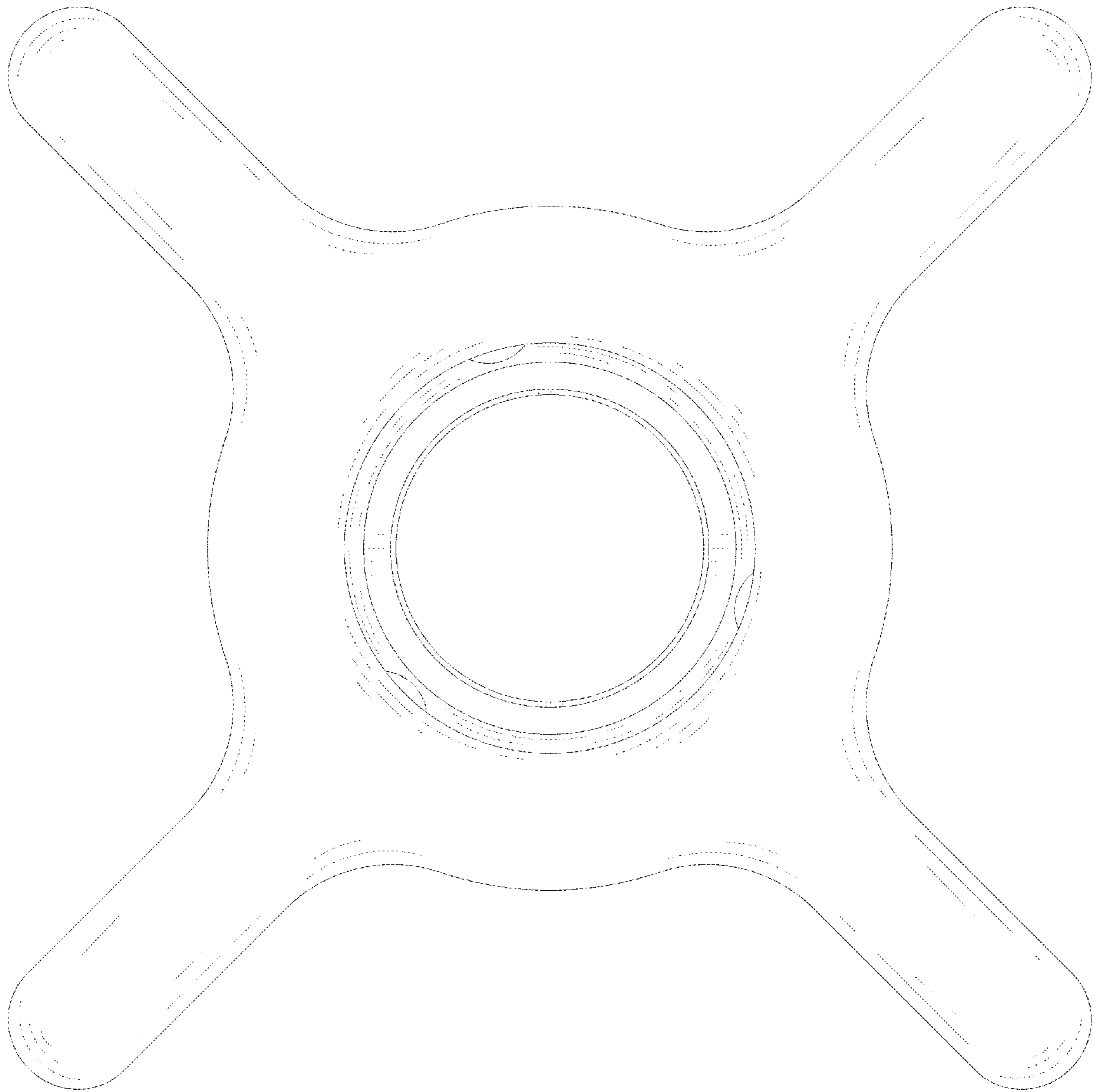


FIG.8