

US00D969251S

(12) **United States Design Patent** (10) **Patent No.:** **US D969,251 S**
Liu (45) **Date of Patent:** **** Nov. 8, 2022**

(54) **ROLLER SKATE**

OTHER PUBLICATIONS

(71) Applicant: **YINHE TRADING LIMITED**,
Denver, CO (US)

(72) Inventor: **Honglei Liu**, Guangdong (CN)

(73) Assignee: **YINHE TRADING LIMITED**,
Denver, CO (US)

(**) Term: **15 Years**

(21) Appl. No.: **29/785,216**

(22) Filed: **May 24, 2021**

(51) **LOC (13) Cl.** **21-02**

(52) **U.S. Cl.**
USPC **D21/763**

(58) **Field of Classification Search**
USPC D21/760-764, 771
CPC A63C 17/00; A63C 17/02; A63C 17/0086
See application file for complete search history.

Xudrez, High-top Roller Skates, Date First Available on Amazon Sep. 4, 2020 [online], [site visited Jun. 21, 2022]. Available from Internet: <URL: https://www.amazon.com/dp/B08HH8X2MR/> (Year: 2020).*

Comeon Store, Women Roller Skates, Date First Available on Amazon Sep. 5, 2020 [online], [site visited Jun. 21, 2022]. Available from Internet: <URL: https://www.amazon.com/dp/B08HK3RKM9/> (Year: 2020).*

Silvertree Store, Women's Roller Skates, Date First Available on Amazon Oct. 13, 2020 [online], [site visited Jun. 21, 2022]. Available from Internet: <URL: https://www.amazon.com/dp/B08K4BWXLK/> (Year: 2020).*

(Continued)

Primary Examiner — Cynthia M. Chin

(74) *Attorney, Agent, or Firm* — ScienBiziP, P.C.

(57) **CLAIM**

The ornamental design for a roller skate, as shown and described.

(56) **References Cited**

DESCRIPTION

U.S. PATENT DOCUMENTS

3,901,520	A *	8/1975	McMahan	A63C 17/226
					280/11.233
D238,386	S *	1/1976	Smith	D21/764
D241,868	S *	10/1976	Smith	D21/764
4,070,029	A *	1/1978	Panarelli	A63C 17/02
					280/11.19
4,328,627	A *	5/1982	Sanders	A43B 5/1658
					280/11.209
4,345,774	A *	8/1982	Poe	A63C 17/02
					280/841
D408,882	S	4/1999	Hilgarth		
D420,082	S *	2/2000	Curtis	D21/764
D556,282	S	11/2007	Yeh		
7,762,681	B2 *	7/2010	Peckham, Jr.	A63C 17/26
					362/249.02

FIG. 1 is a front, right, and top perspective view of a roller skate, showing my design.

FIG. 2 is a rear, left, and bottom perspective view thereof.

FIG. 3 is a front elevation view thereof.

FIG. 4 is a rear elevation view thereof.

FIG. 5 is a left side elevation view thereof.

FIG. 6 is a right side elevation view thereof.

FIG. 7 is a top plan view thereof; and,

FIG. 8 is a bottom plan view thereof.

The broken lines shown in the drawings are included for the purpose of illustrating portions of the roller skate that form no part of the claimed design.

1 Claim, 8 Drawing Sheets



(56)

References Cited

OTHER PUBLICATIONS

YYW Store, Womens Roller Skates, Date First Available on Amazon Oct. 21, 2020 [online], [site visited Jun. 21, 2022] Available from Internet: <URL: <https://www.amazon.com/dp/B08P321KXF/>> (Year: 2020).*

Redson Womens Roller Skates, Date First Available on Amazon Oct. 14, 2020 [online], [site visited Jun. 21, 2022] Available from Internet: <URL: <https://www.amazon.com/dp/B08L5SN1XJ/>> (Year: 2020).*

YYW Store, Roller Skates for Women, Date First Available on Amazon, Nov. 26, 2020 [online], [site visited Jun. 21, 2022] Available from Internet: <URL: <https://www.amazon.com/dp/B08P3CPS2X/>> (Year: 2020).*

XUDREZ Store, Roller Skates for Women, Date First Available on Amazon Nov. 22, 2020 [online], [site visited Jun. 21, 2022] Available from Internet: <URL: <https://www.amazon.com/dp/B08NZPR4DL/>> (Year: 2020).*

Jessie, Women's Roller Skates, Date First Available on Amazon Oct. 19, 2020, [online], [site visited Jun. 21, 2022] Available from Internet: <URL: <https://www.amazon.com/dp/B08FXCQVDV/>> (Year: 2020).*

Gets Store, Women's Roller Skates, Date First Available on Amazon Apr. 9, 2021, [online], [site visited Jun. 21, 2022] Available from Internet: <URL: <https://www.amazon.com/dp/B0923WQ4QV/>> (Year: 2021).*

* cited by examiner



FIG. 1

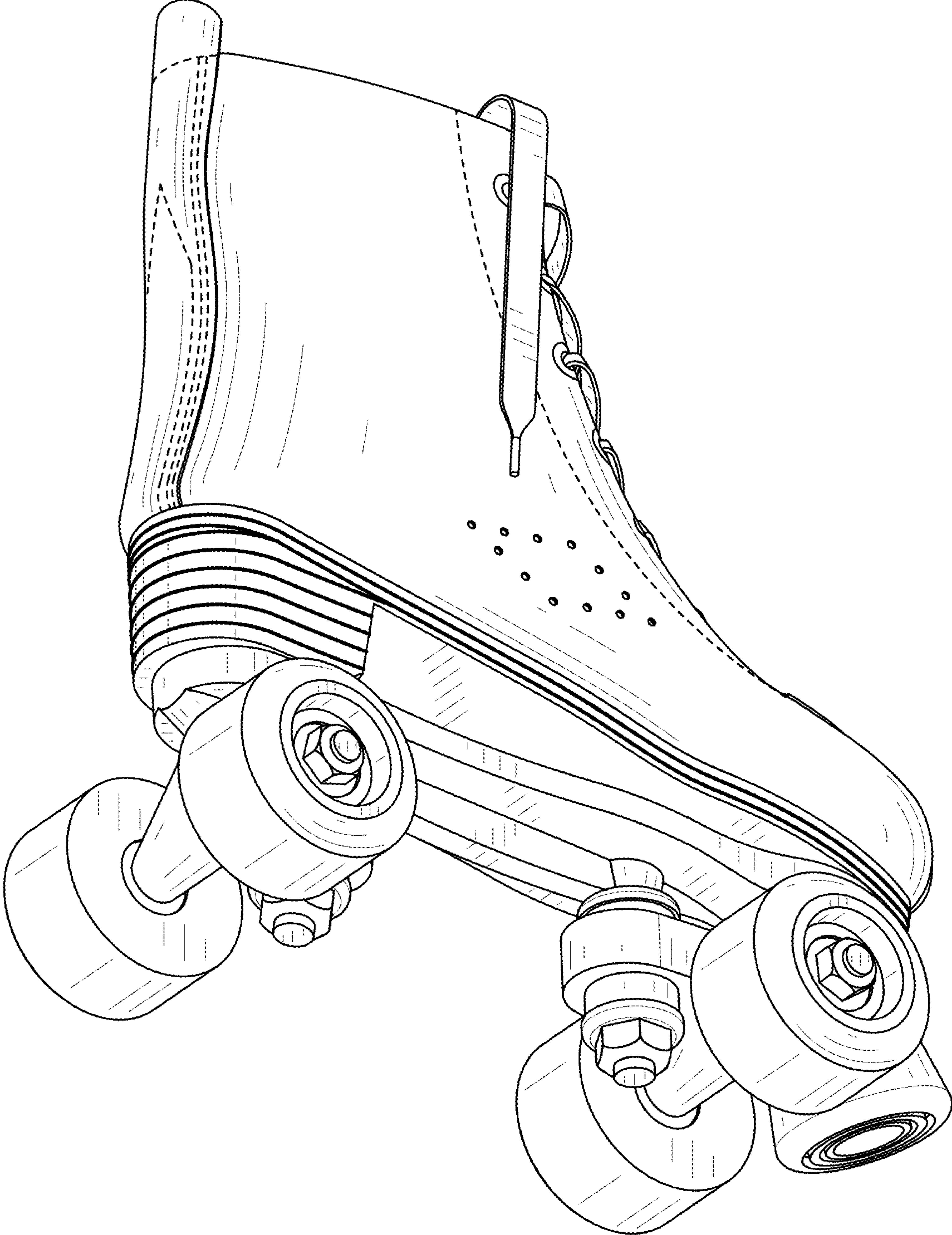


FIG. 2

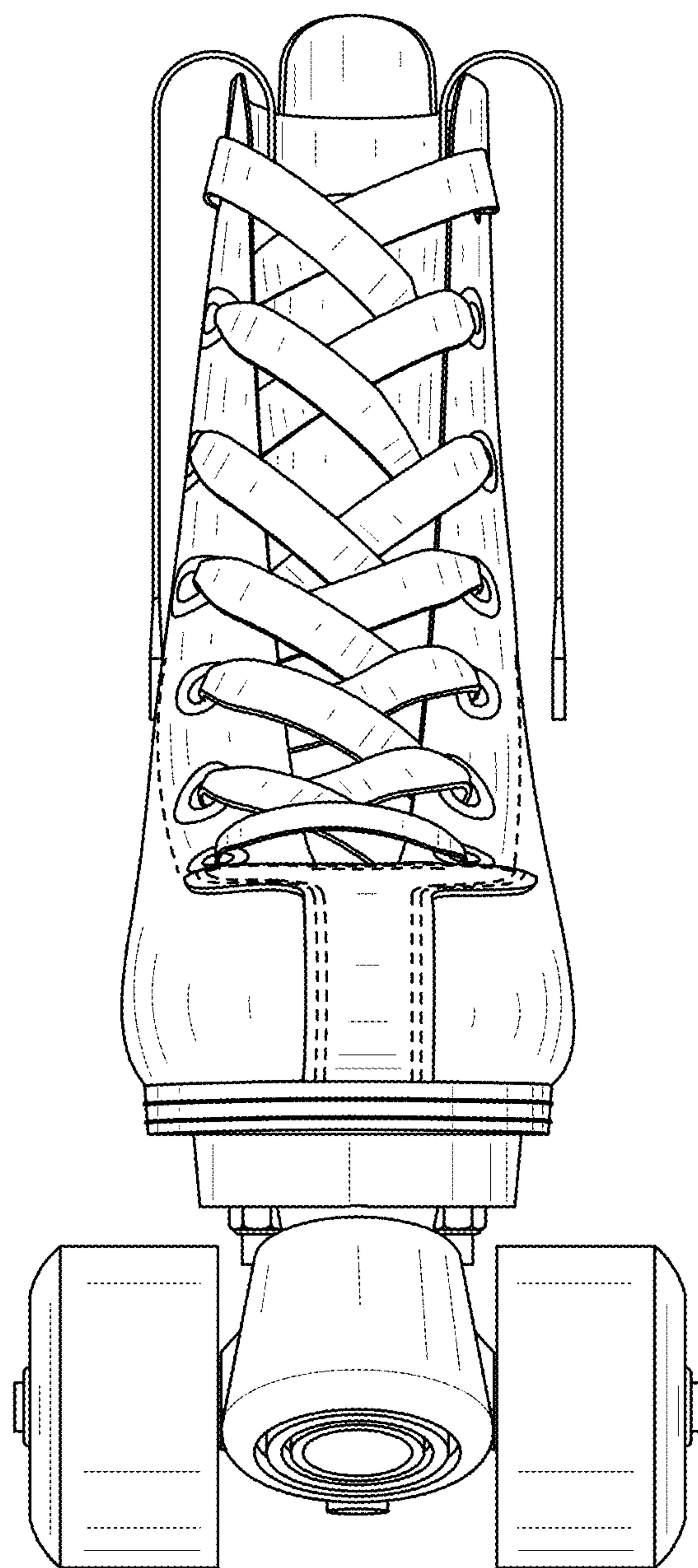


FIG. 3

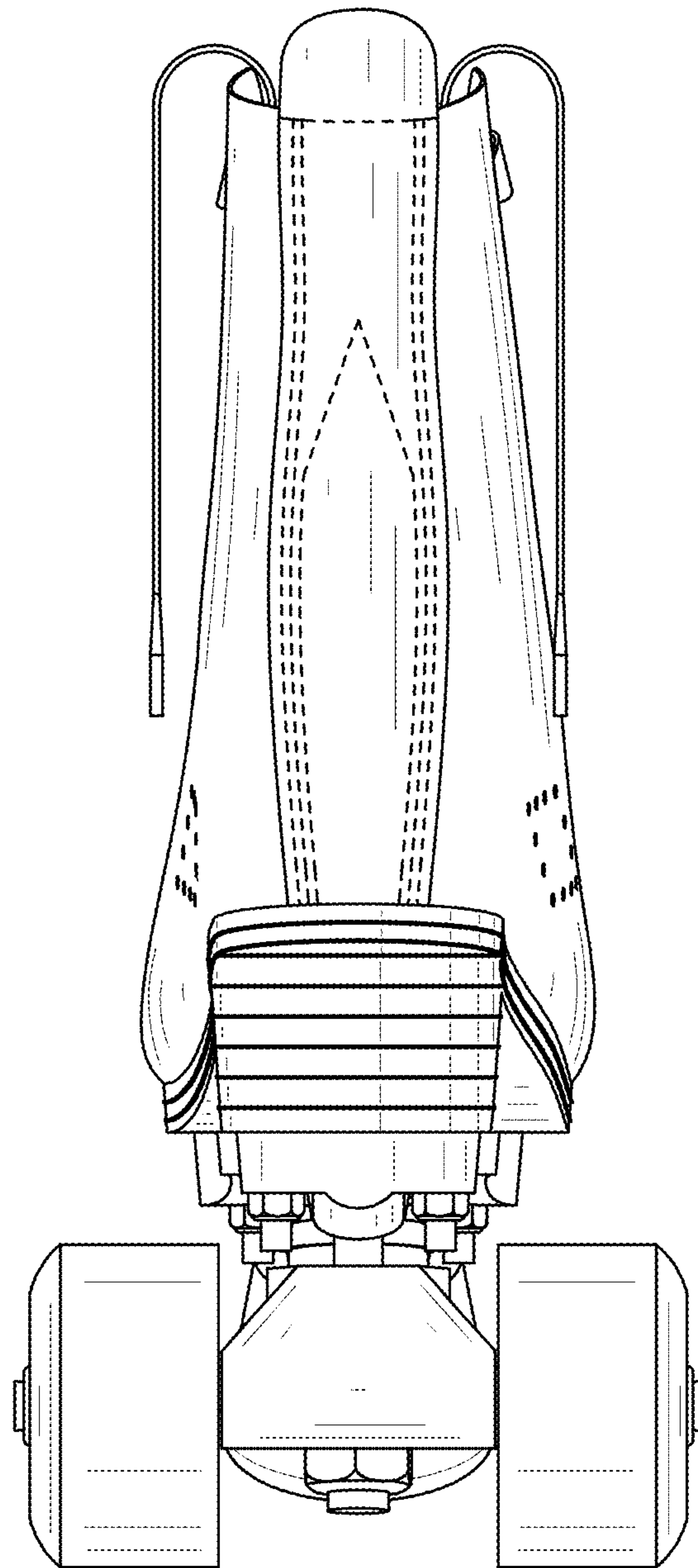


FIG. 4



FIG. 5



FIG. 6

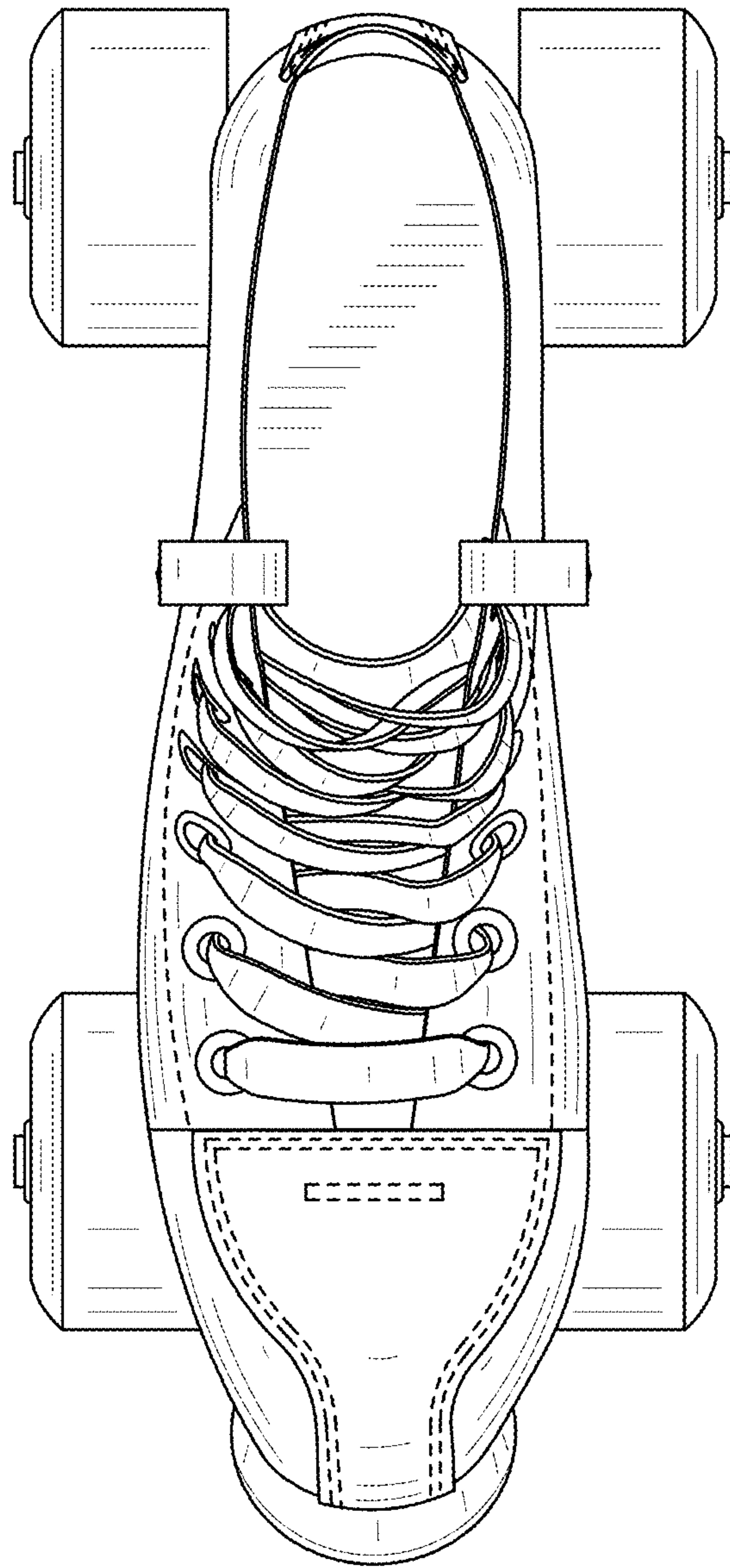


FIG. 7

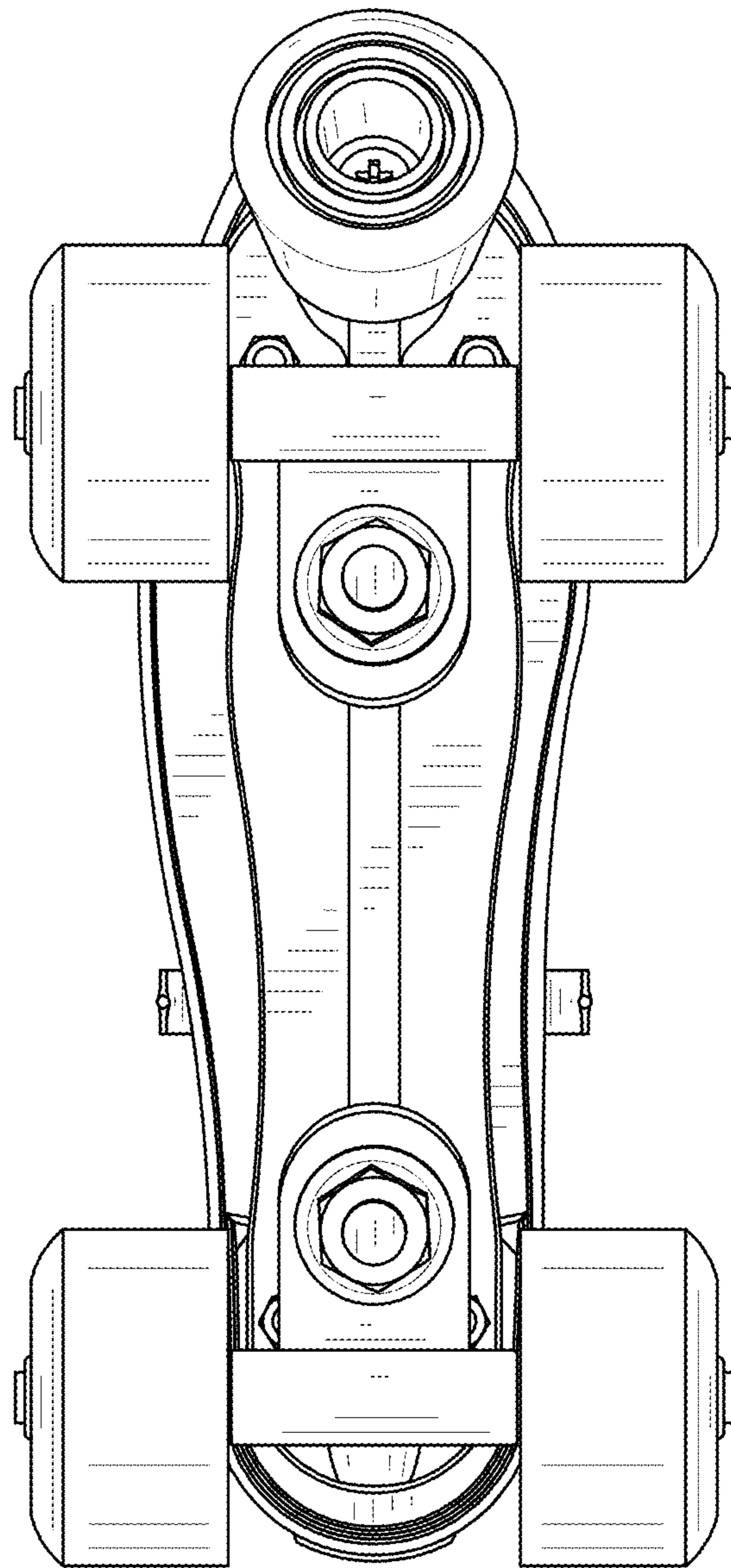


FIG. 8