



US00D969244S

(12) **United States Design Patent** (10) **Patent No.:** **US D969,244 S**
Chen (45) **Date of Patent:** **** Nov. 8, 2022**

(54) **CHAIN COVER FOR EXERCISE BIKE**

(71) Applicant: **Shengnan Wei**, Zhejiang (CN)

(72) Inventor: **Xinbu Chen**, Zhejiang (CN)

(73) Assignee: **Shengnan Wei**, Jinhua (CN)

(**) Term: **15 Years**

(21) Appl. No.: **29/772,572**

(22) Filed: **Mar. 2, 2021**

(51) **LOC (13) Cl.** **21-02**

(52) **U.S. Cl.**
USPC **D21/697**

(58) **Field of Classification Search**
USPC D12/108, 109, 111, 112, 113, 124, 178,
D12/411, 345, 117, 133, 402, 407, 416,
D12/432, 538, 663, 664, 667, 694, 695,
D12/697; D21/694, 663, 664, 697, 696,
D21/686, 419, 432, 435, 667, 666, 668,
D21/690, 676, 691, 662, 675, 687, 695
CPC A63B 71/0622; A63B 2225/50
See application file for complete search history.

(56) **References Cited**

U.S. PATENT DOCUMENTS

D372,061 S * 7/1996 Chen D21/697
D401,644 S * 11/1998 Chen D21/663
D406,288 S * 3/1999 Chen D21/663
6,102,834 A * 8/2000 Chen A63B 22/0605
280/281.1
D438,580 S * 3/2001 Shaw D21/663
D438,581 S * 3/2001 Shaw D21/663
D444,515 S * 7/2001 Moran D21/663
D446,266 S * 8/2001 Lin D21/663
D450,100 S * 11/2001 Hsu D21/697
D450,101 S * 11/2001 Hsu D21/697
D451,972 S * 12/2001 Easley D21/697
D452,285 S * 12/2001 Easley D21/697
D454,605 S * 3/2002 Lee D21/697

D459,776 S * 7/2002 Lee D21/697
D464,096 S * 10/2002 Lee D21/697
D475,424 S * 6/2003 Lee D21/697
D480,119 S * 9/2003 Chen D21/663
D484,931 S * 1/2004 Tsai D21/697
D486,537 S * 2/2004 Lin D21/670
D713,050 S * 9/2014 Kao A61H 15/00
D24/211
D750,182 S * 2/2016 Takaoka D21/663
9,422,718 B2 * 8/2016 Ehsani F16L 55/16
9,707,440 B2 * 7/2017 Zeng A63B 22/0017

(Continued)

FOREIGN PATENT DOCUMENTS

CN 303409689 * 10/2015
KR 300869121.0000 * 8/2016

OTHER PUBLICATIONS

“DeskCycle Under Desk Bike Pedal Exerciser” Jan. 16, 2013,
Amazon, site visited Jun. 15, 2022: <https://amzn.to/3MVmuO4>
(Year: 2013).*

(Continued)

Primary Examiner — Jack Reickel
Assistant Examiner — Salamah Jordan

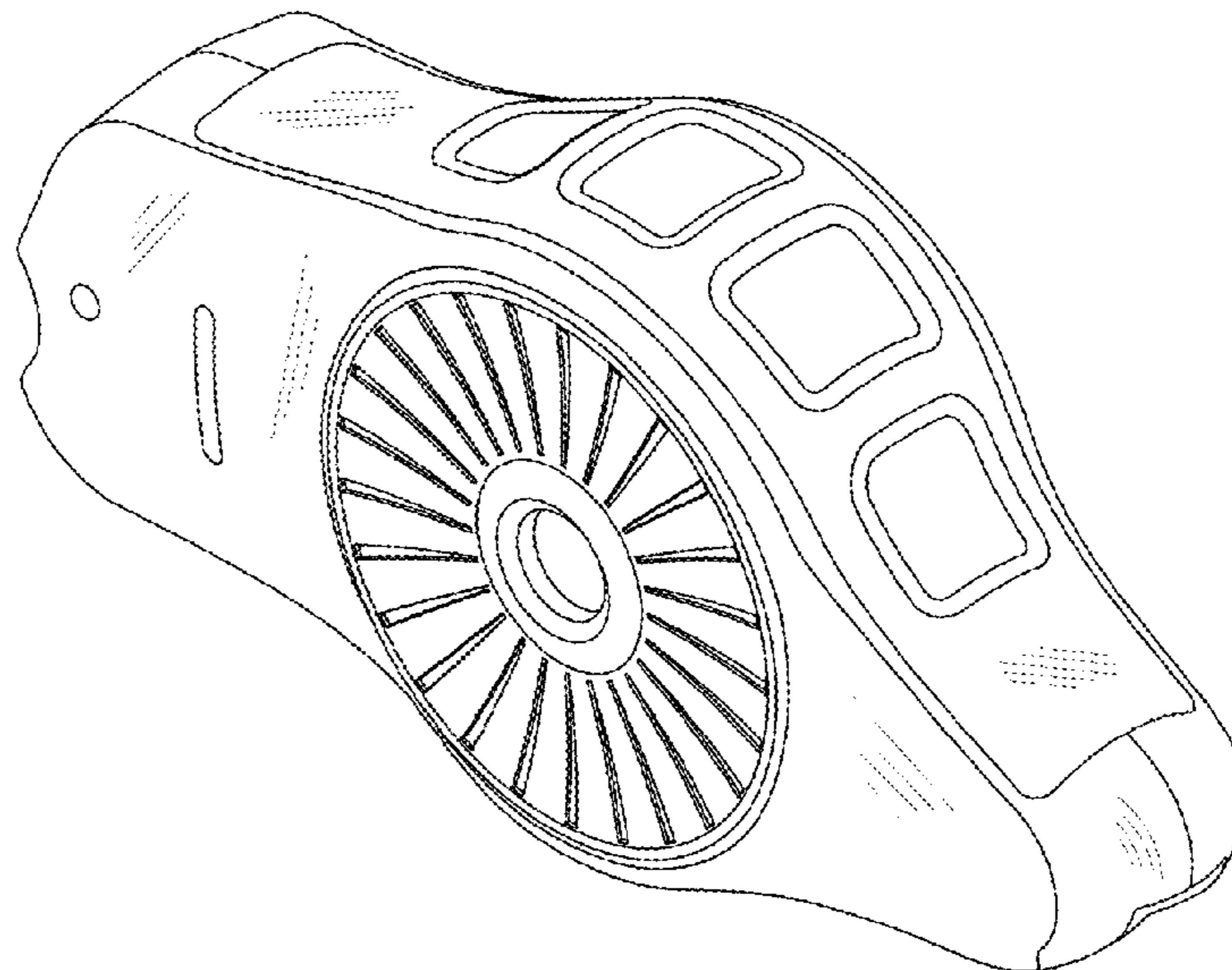
(57) **CLAIM**

The ornamental design for a chain cover for exercise bike,
as shown and described.

DESCRIPTION

FIG. 1 is a perspective view of a chain cover for exercise
bike showing my/our new design;
FIG. 2 is a front view thereof;
FIG. 3 is a back view thereof;
FIG. 4 is a top view thereof;
FIG. 5 is a bottom view thereof;
FIG. 6 is a left side view thereof; and,
FIG. 7 is a right side view thereof.

1 Claim, 7 Drawing Sheets



(56)

References Cited

U.S. PATENT DOCUMENTS

D794,142 S * 8/2017 Zhou D21/663
D797,866 S * 9/2017 Yi-Tzu D21/663
9,750,343 B2 * 9/2017 McBride A63B 22/0605
10,052,516 B1 * 8/2018 Lin A63B 23/1209
D863,465 S * 10/2019 Lentine D21/663
D868,183 S * 11/2019 Pei D21/663
D916,339 S * 4/2021 Ormsbee D26/34
D939,034 S * 12/2021 Leier D21/694
11,348,683 B2 * 5/2022 Guaneri A61B 5/7465
2019/0151707 A1 * 5/2019 Wang A63B 71/0619
2020/0030655 A1 * 1/2020 Wu A63B 21/225
2021/0387052 A1 * 12/2021 Wang A63B 22/0605
2022/0023710 A1 * 1/2022 Li A63B 21/151
2022/0023711 A1 * 1/2022 Tseng A63B 22/0005
2022/0226693 A1 * 7/2022 Xiang A63B 22/0605

OTHER PUBLICATIONS

“Leikefitness Leike X Bike Ultra”, Aug. 16, 2019, Amazon, site visited Jun. 15, 2022: https://amzn.to/3b3hv0pv=rQ_0PQWxPV0 (Year: 2019).*

“Lanos Workout Bike”, Nov. 13, 2019, Amazon, site visited Jun. 15, 2022: <https://amzn.to/3MPFQEk> (Year: 2019).*

* cited by examiner

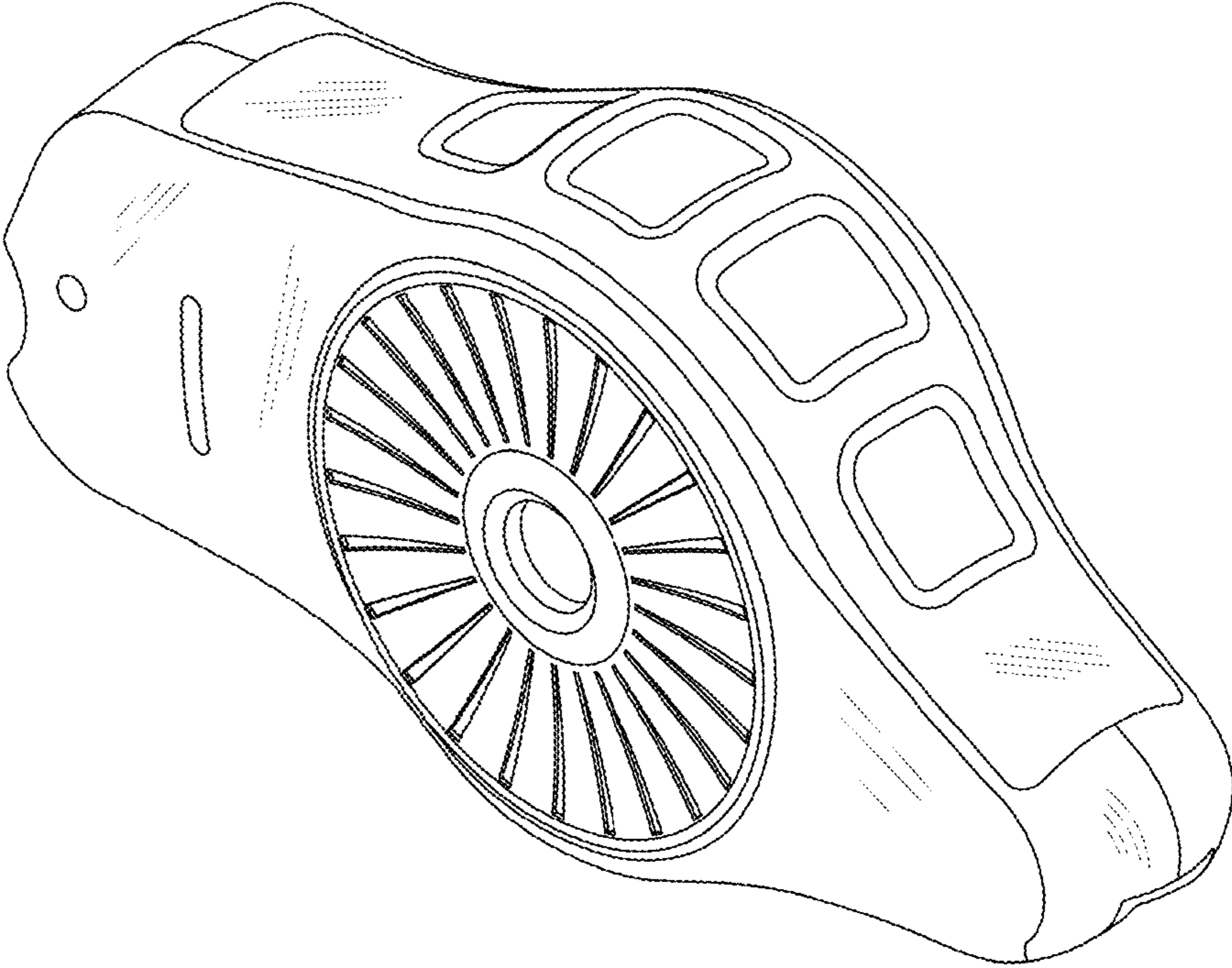


FIG. 1

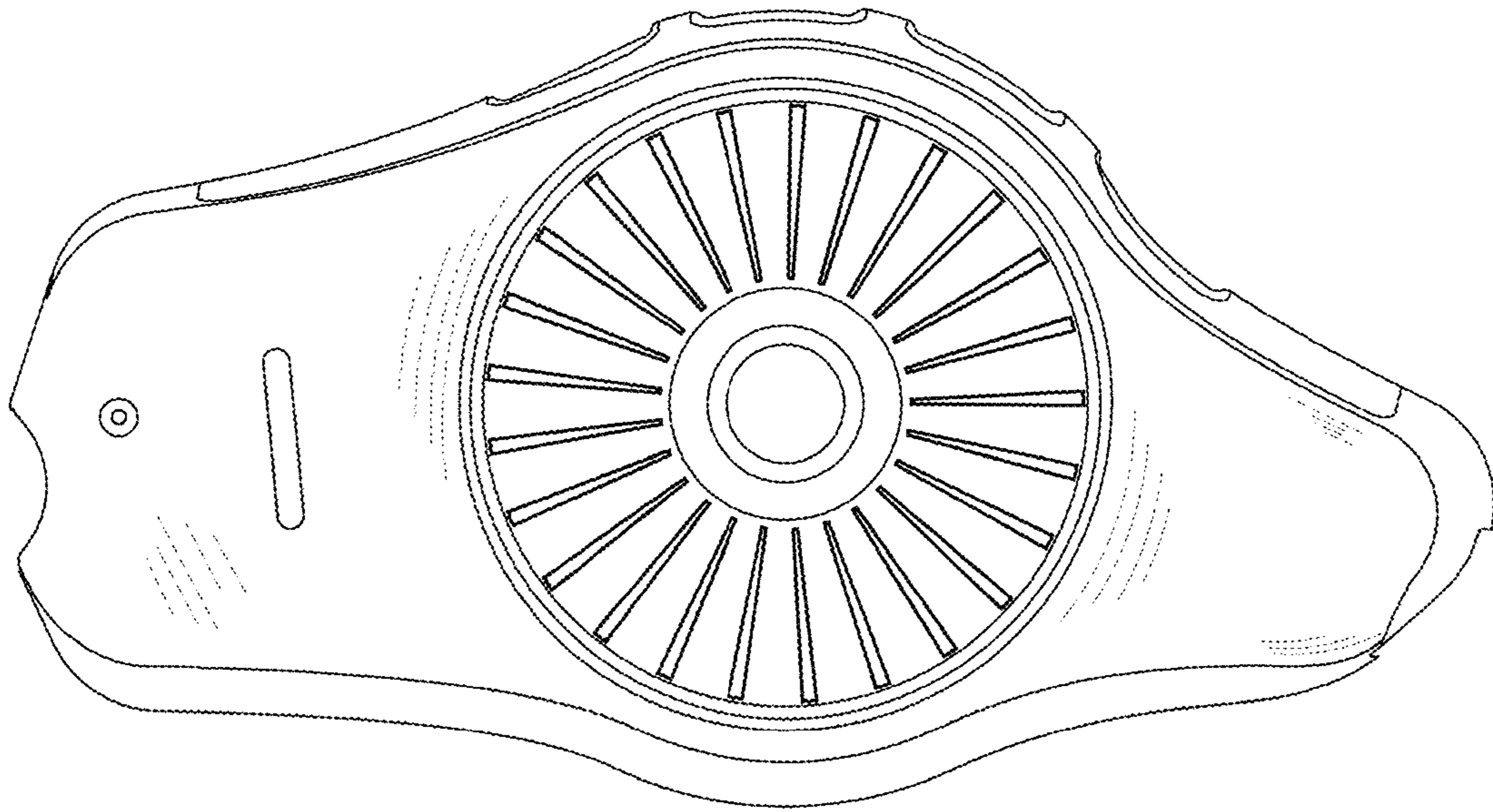


FIG. 2

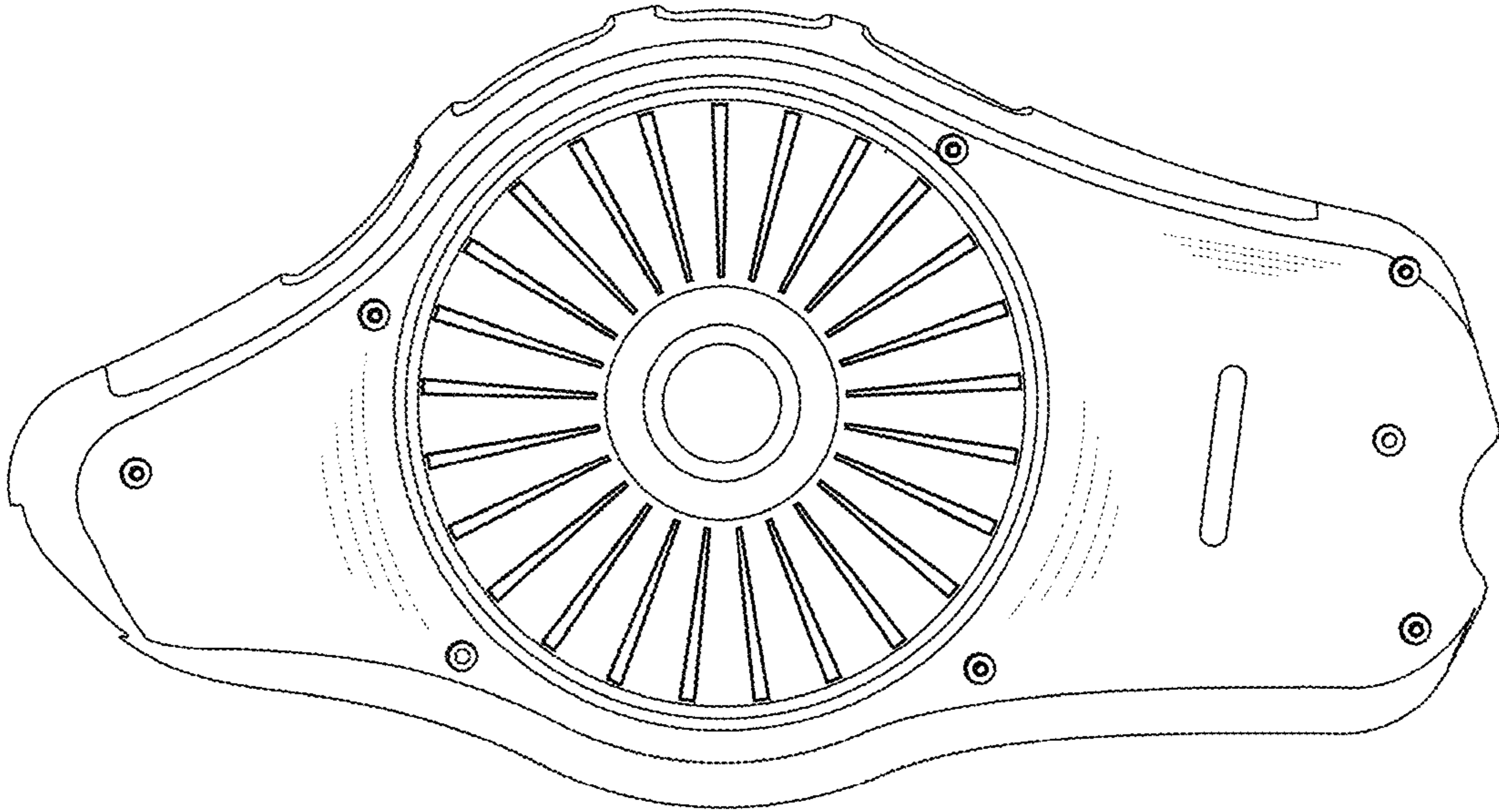


FIG. 3

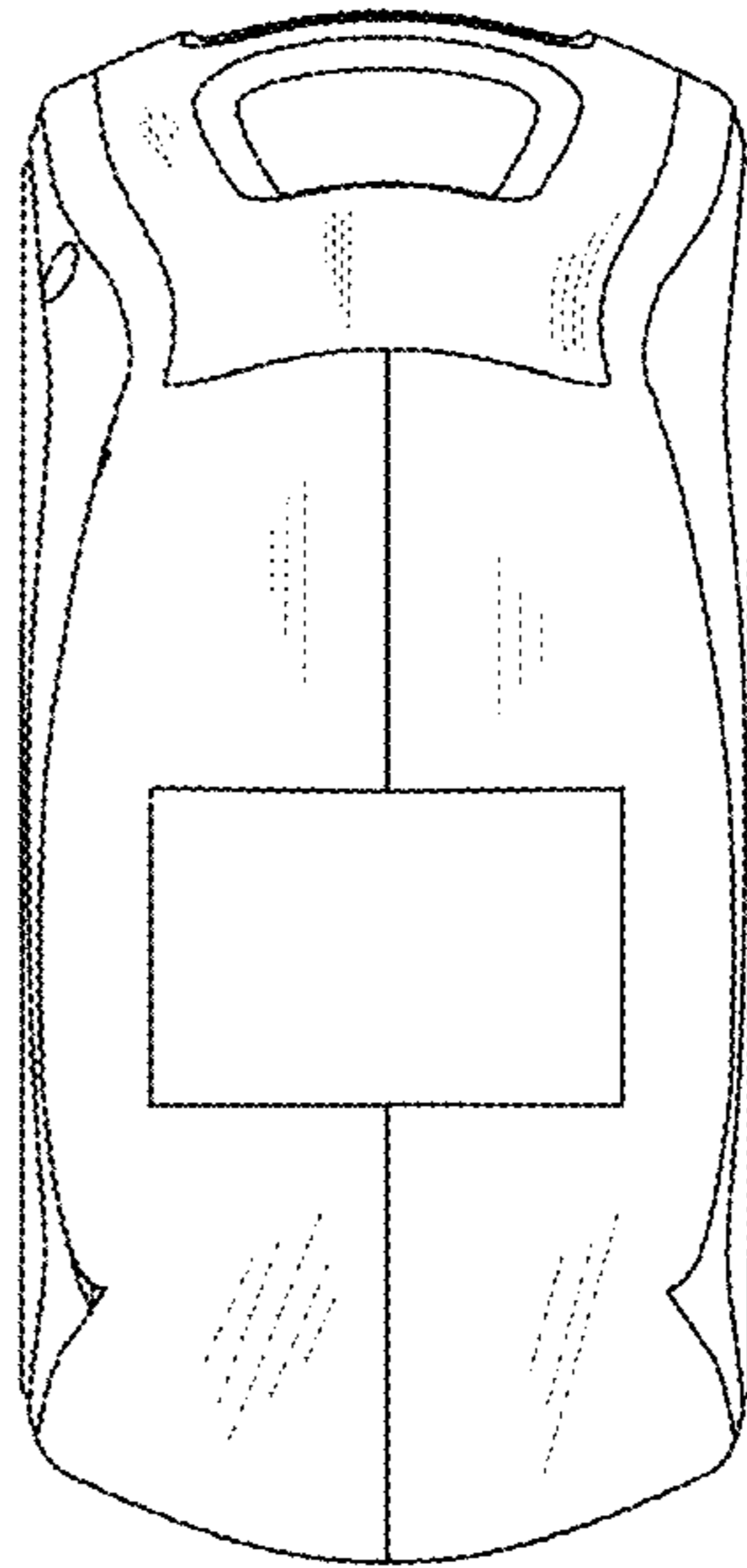


FIG. 4

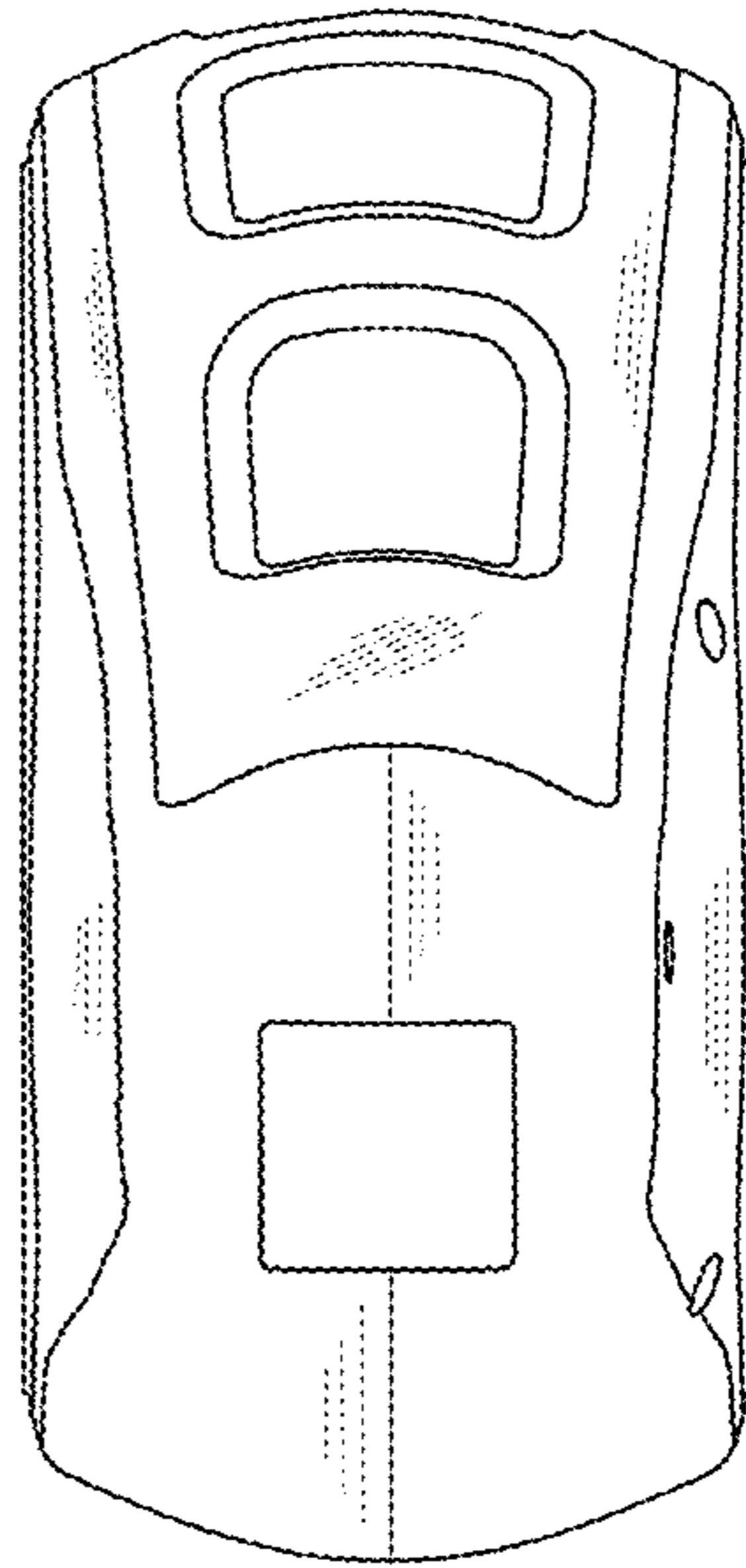


FIG. 5

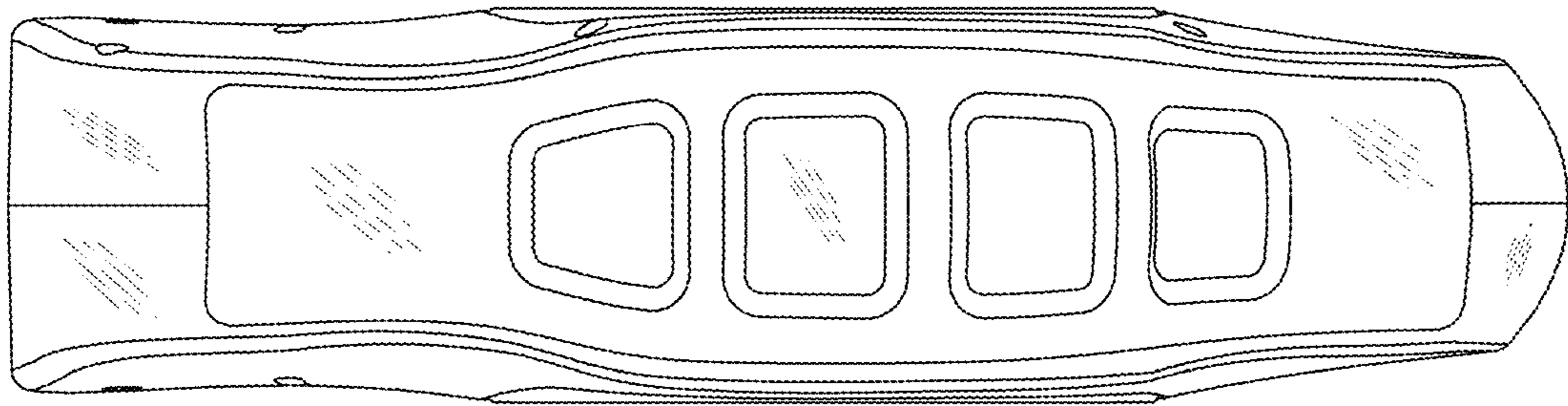


FIG. 6

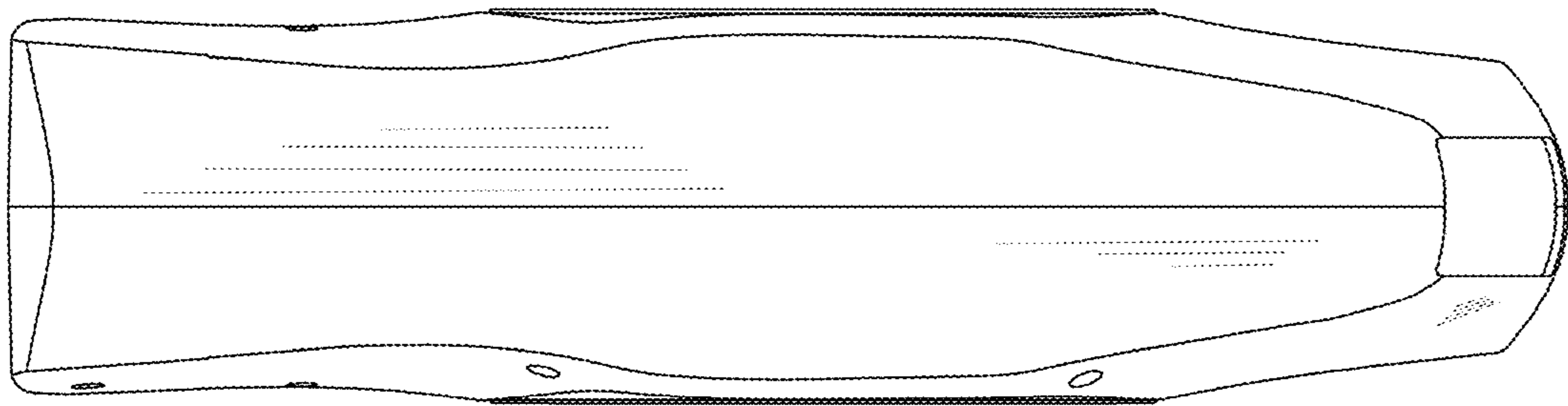


FIG. 7