



US00D969243S

(12) **United States Design Patent** (10) **Patent No.:** **US D969,243 S**  
**Lu** (45) **Date of Patent:** **\*\* Nov. 8, 2022**

- (54) **ROWING MACHINE**
- (71) Applicant: **Hangzhou Feier Industrial Design Co., Ltd., Zhejiang (CN)**
- (72) Inventor: **Xiaolong Lu, Zhejiang (CN)**
- (73) Assignee: **Hangzhou Feier Industrial Design Co., Ltd., Zhejiang (CN)**
- (\*\*) Term: **15 Years**
- (21) Appl. No.: **29/839,454**
- (22) Filed: **May 20, 2022**
- (51) **LOC (13) Cl.** ..... **21-02**
- (52) **U.S. Cl.**  
USPC ..... **D21/674**
- (58) **Field of Classification Search**  
USPC ..... D21/674, 662, 687, 694, 695, 801, 673  
See application file for complete search history.

(56) **References Cited**

**U.S. PATENT DOCUMENTS**

4,880,224	A *	11/1989	Jonas	.....	A63B 21/225
					482/72
4,974,832	A *	12/1990	Dalebout	.....	A63B 21/4029
					482/142
9,901,768	B1 *	2/2018	Wu	.....	A63B 21/4034
D861,805	S *	10/2019	Lisi	.....	D21/674
D922,503	S	6/2021	Wu		
D923,119	S *	6/2021	Hsieh	.....	D21/674
D944,339	S	2/2022	Yang		
2019/0192899	A1 *	6/2019	Dubin	.....	A63B 69/0057
2021/0101052	A1 *	4/2021	Gore	.....	G06F 3/04847
2021/0170221	A1 *	6/2021	Hsu	.....	A63B 22/0087

**OTHER PUBLICATIONS**

Yosuda, announced 2021 [online], [site visited Aug. 31, 2022]. Available on internet, URL:https://www.amazon.com/YOSUDA-Magnetic-Rowing-Machine-Capacity/dp/B095JR2FTV/ref (Year: 2021).\*

Stamina, announced 2016 [online], [site visited Aug. 31, 2022]. Available on internet, URL:https://www.amazon.com/Stamina-Magnetic-Rowing-Machine-1130/dp/B01N05RU0T/ref (Year: 2016).\*  
Marcy, announced 2018 [online], [site visited Aug. 31, 2022]. Available on internet, URL:https://www.amazon.com/Marcy-Foldable-Regenerating-Exercises-NS-6002RE/dp/B07KW491FR/ref (Year: 2018).\*

\* cited by examiner

*Primary Examiner* — Khawaja Anwar

*Assistant Examiner* — Julice Seung Eun Oum

(74) *Attorney, Agent, or Firm* — ScienBiziP, P.C.

(57) **CLAIM**

The ornamental design for a rowing machine, as shown and described.

**DESCRIPTION**

FIG. 1 is a front, left and top perspective view of a rowing machine, showing my design.

FIG. 2 is a rear, right and bottom perspective view thereof.

FIG. 3 is a front elevation view thereof.

FIG. 4 is a rear elevation view thereof.

FIG. 5 is a left side elevation view thereof.

FIG. 6 is a right side elevation view thereof.

FIG. 7 is a top plan view thereof.

FIG. 8 is a bottom plan view thereof.

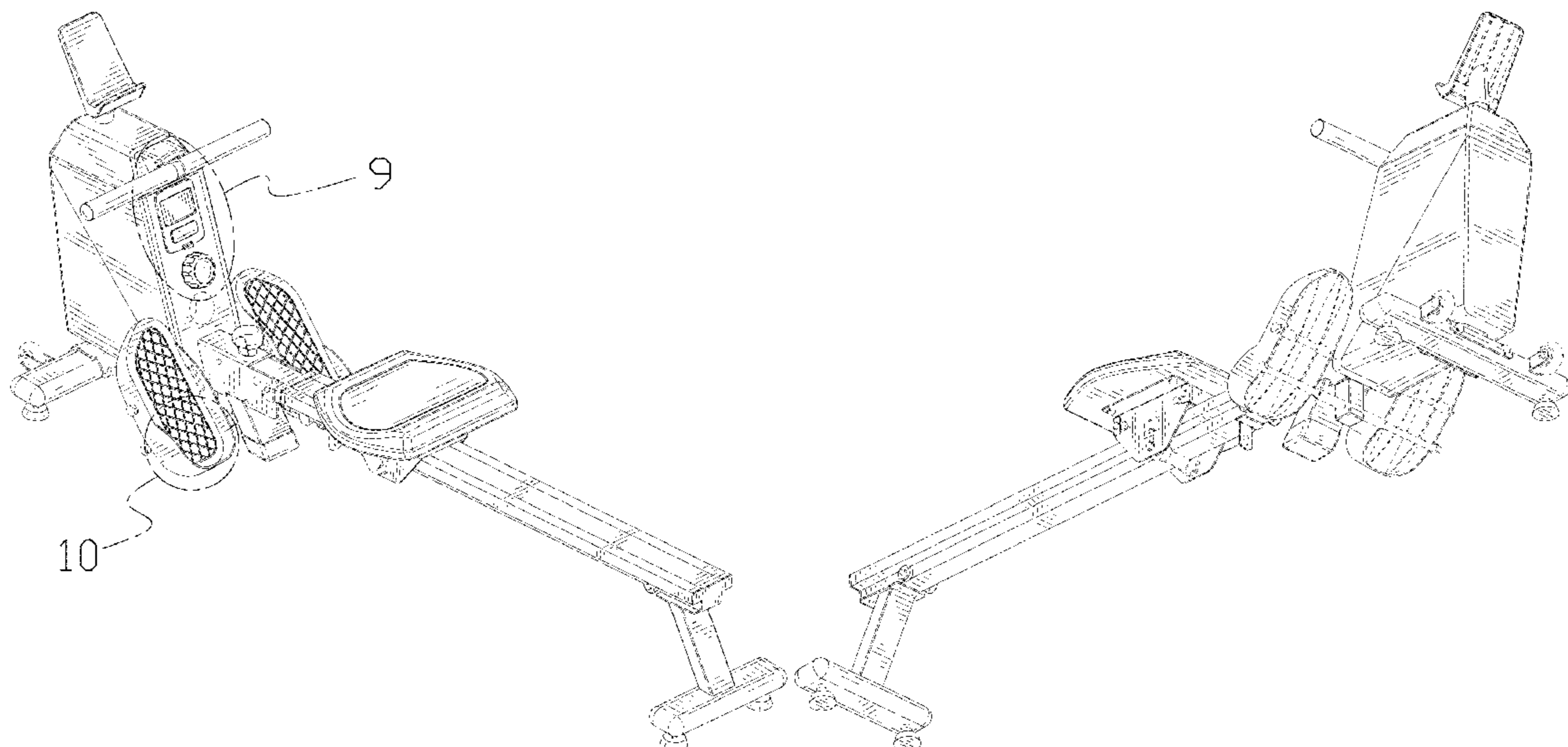
FIG. 9 is a partial enlarged view of an area labeled 9 in FIG. 1; and,

FIG. 10 is a partial enlarged view of an area labeled 10 in FIG. 1.

The broken lines shown in the drawings are included for the purpose of illustrating portions of the rowing machine that form no part of the claimed design.

The dot-dash broken lines depict the boundaries of the enlargements that form no part of the claimed design.

**1 Claim, 10 Drawing Sheets**



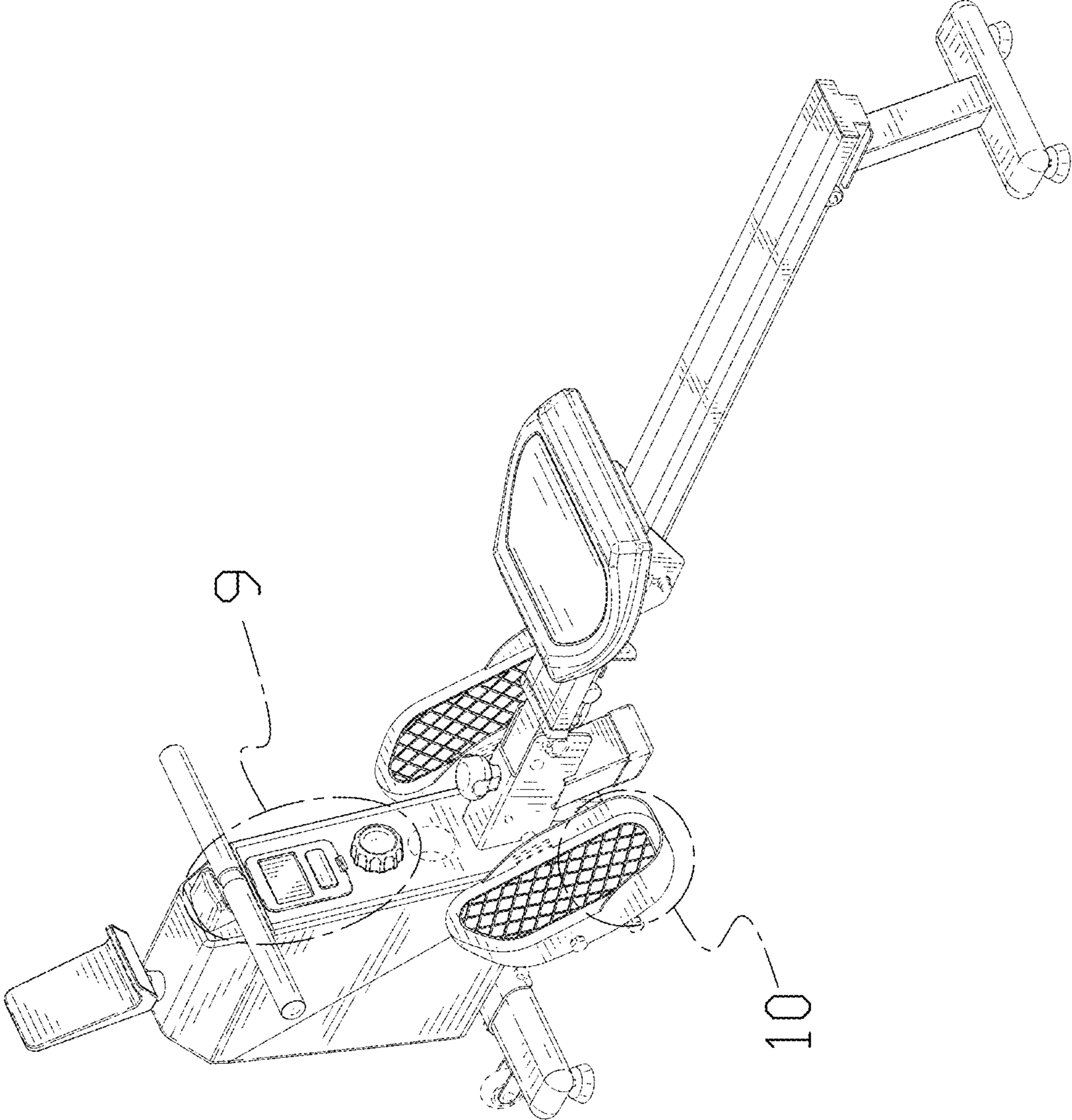


FIG. 1

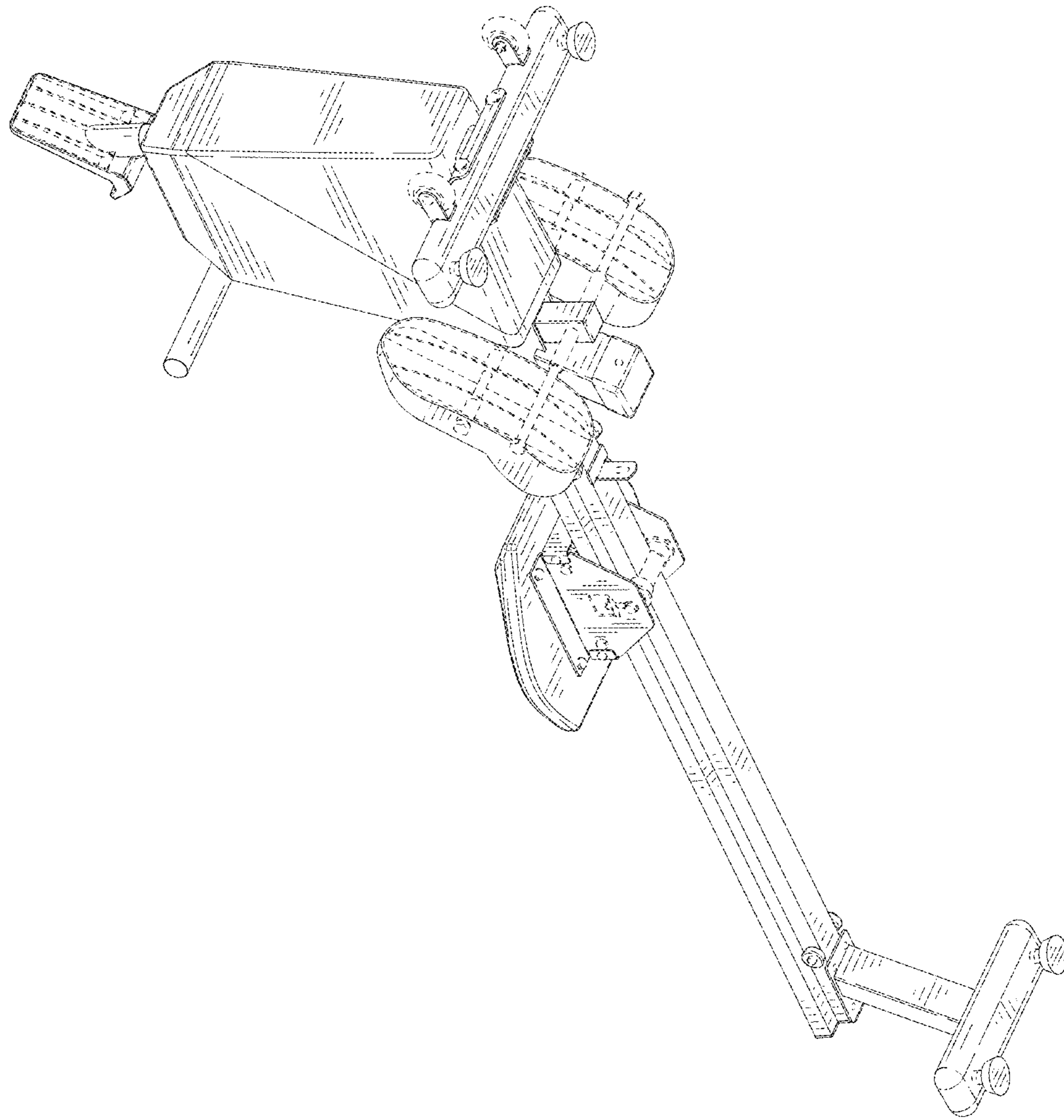


FIG. 2



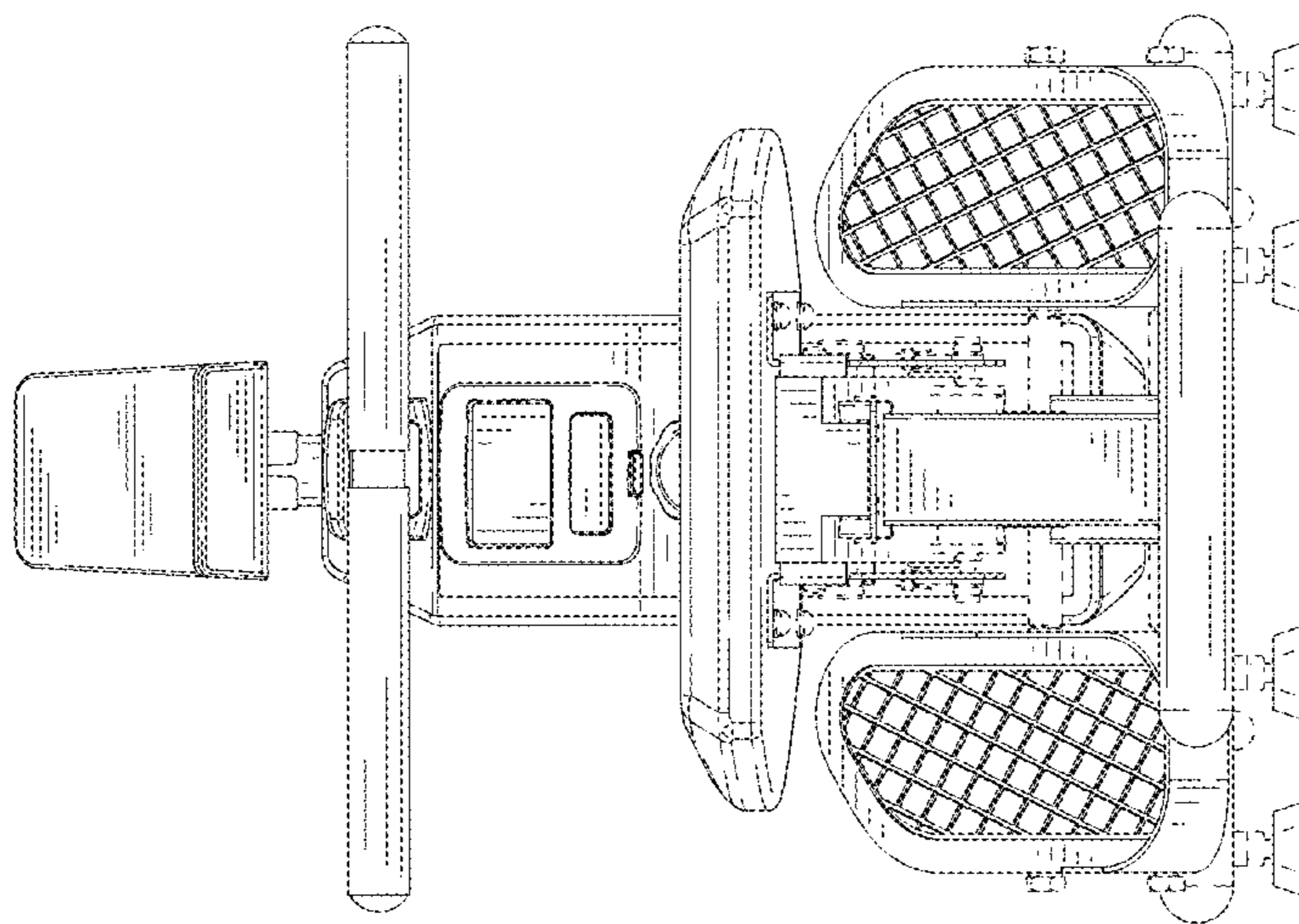


FIG. 3

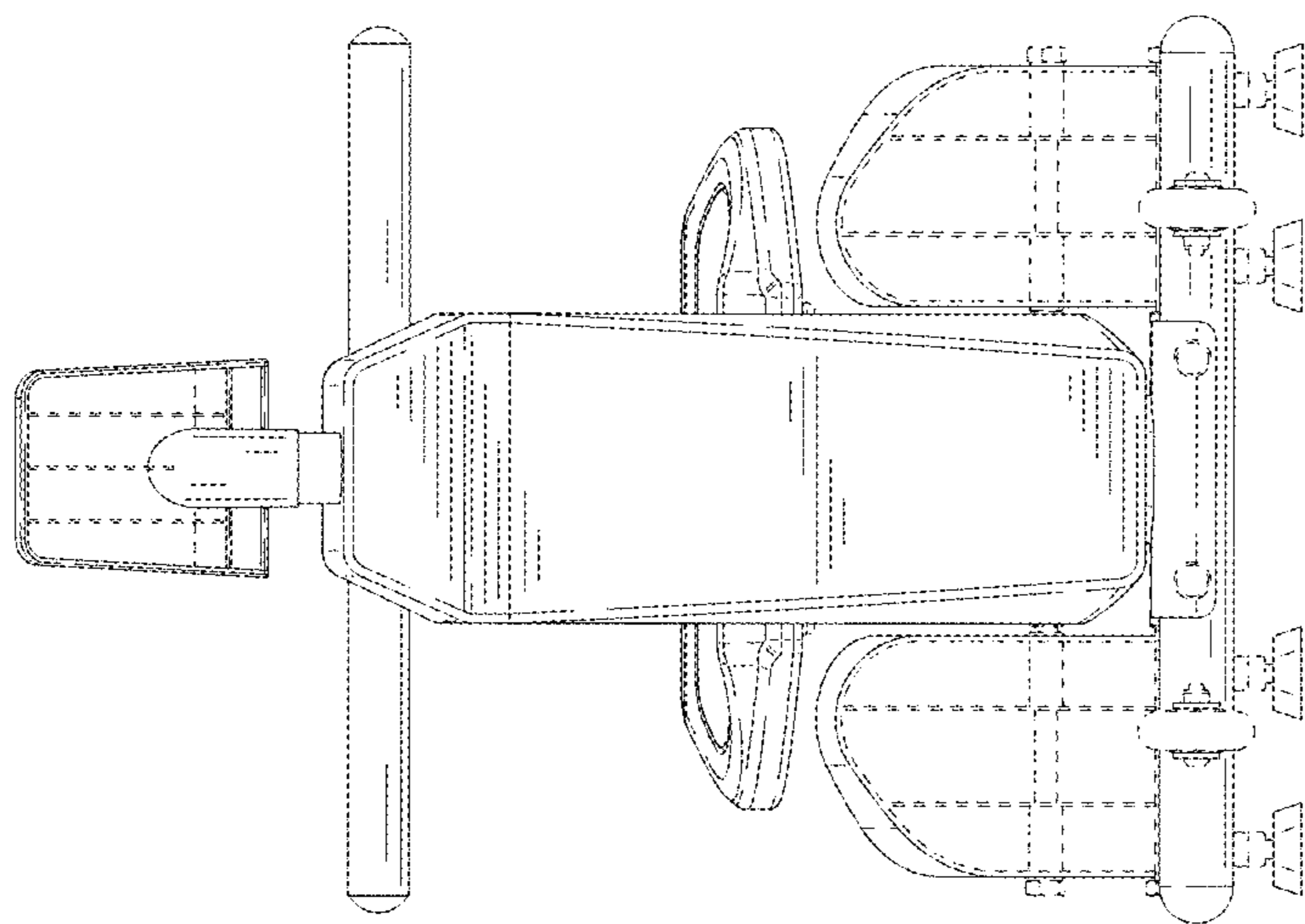


FIG. 4

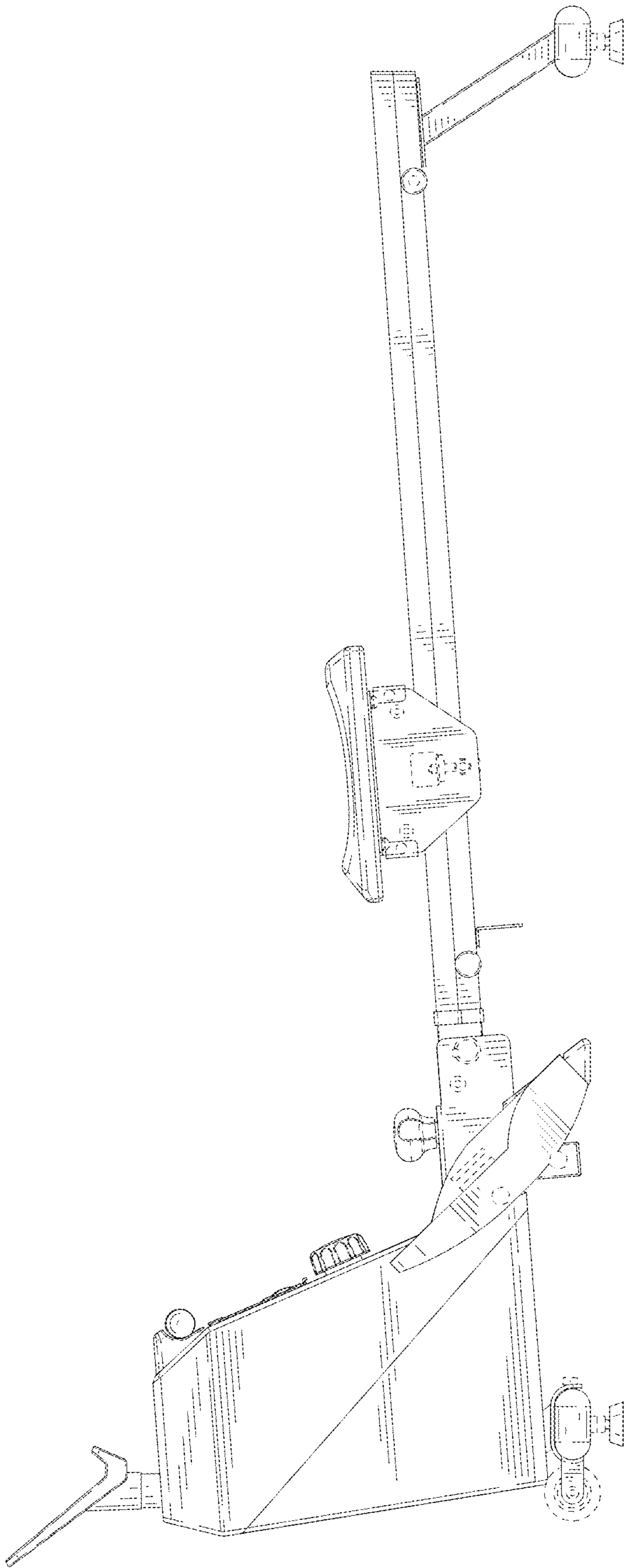


FIG. 5

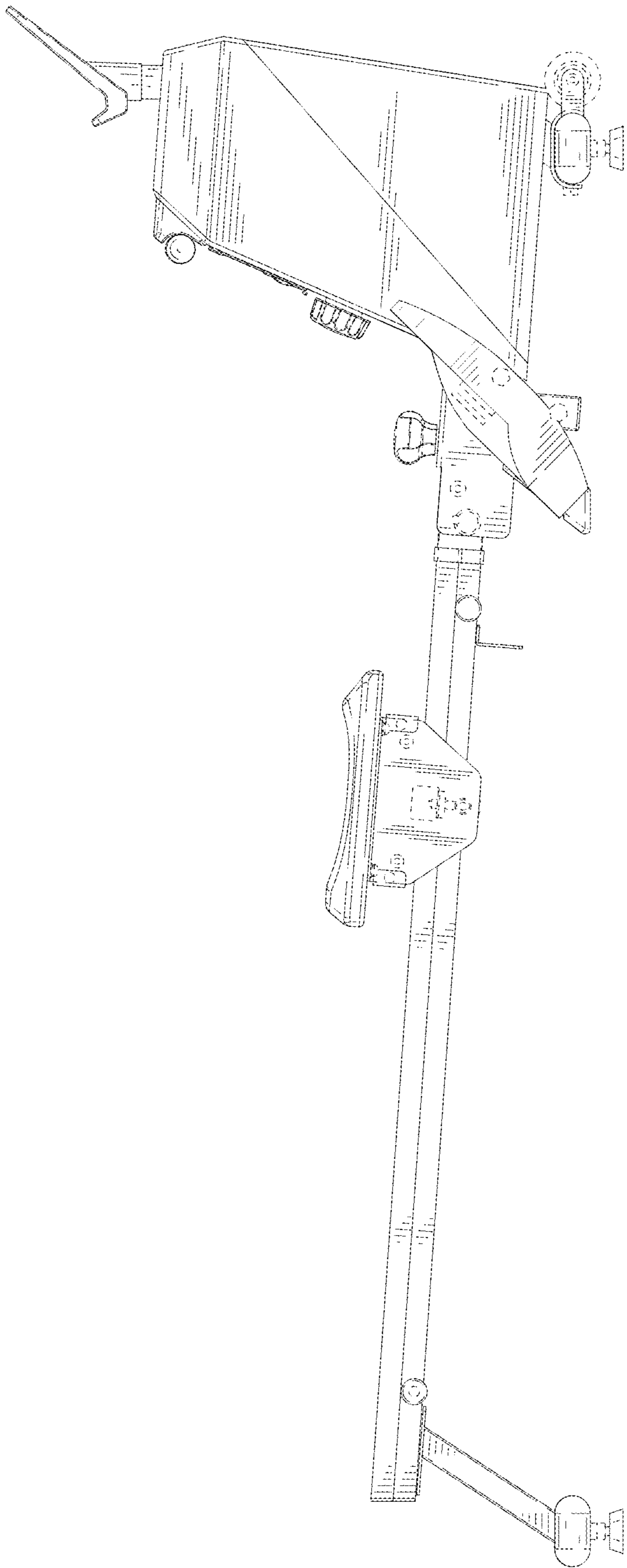


FIG. 6

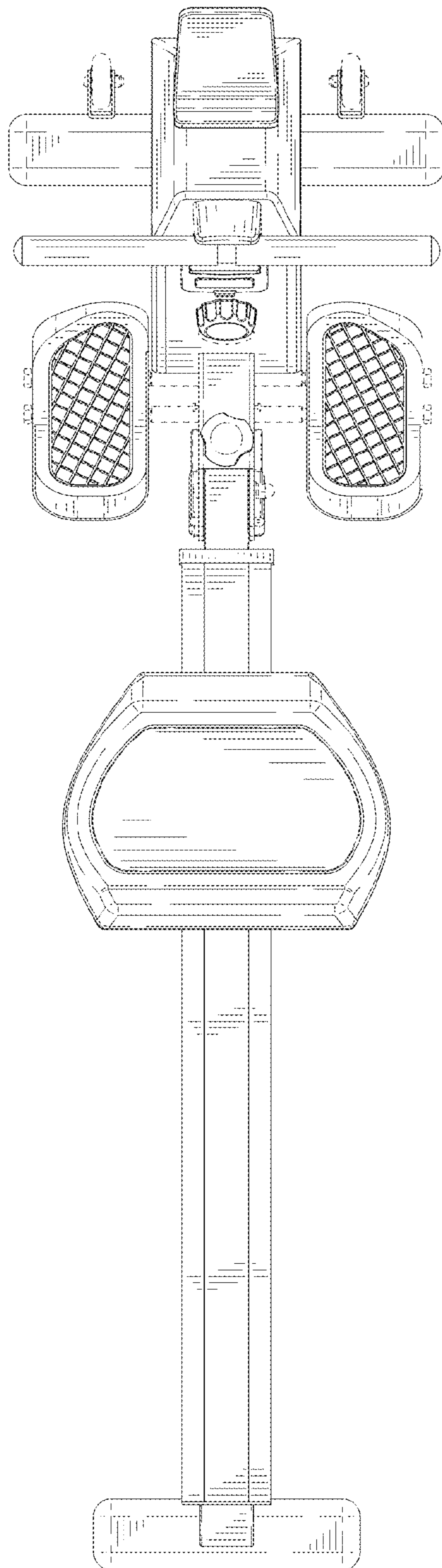


FIG. 7



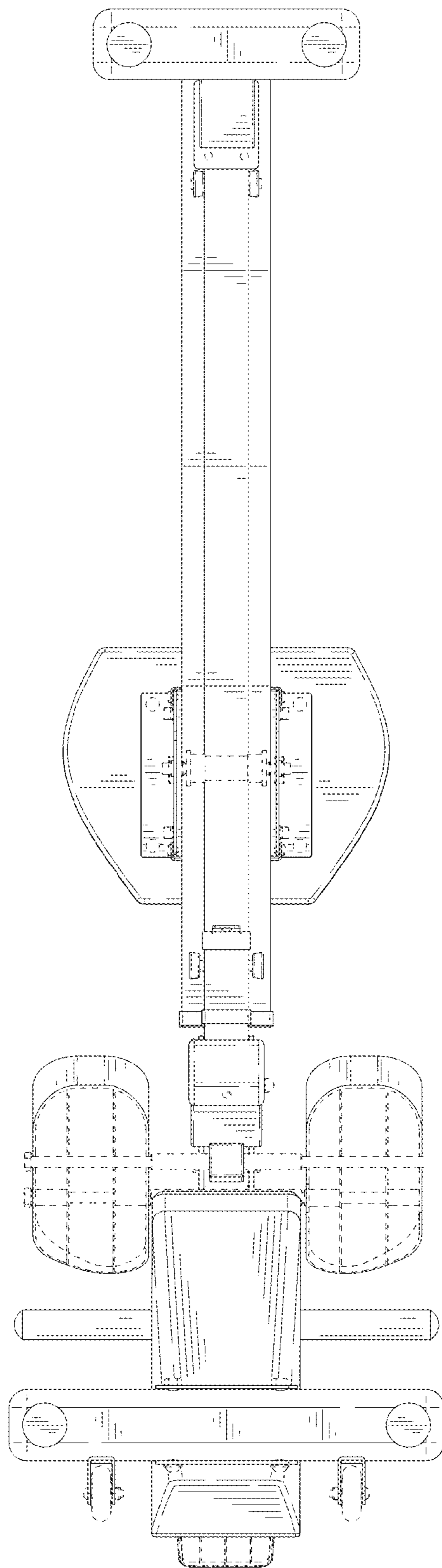


FIG. 8

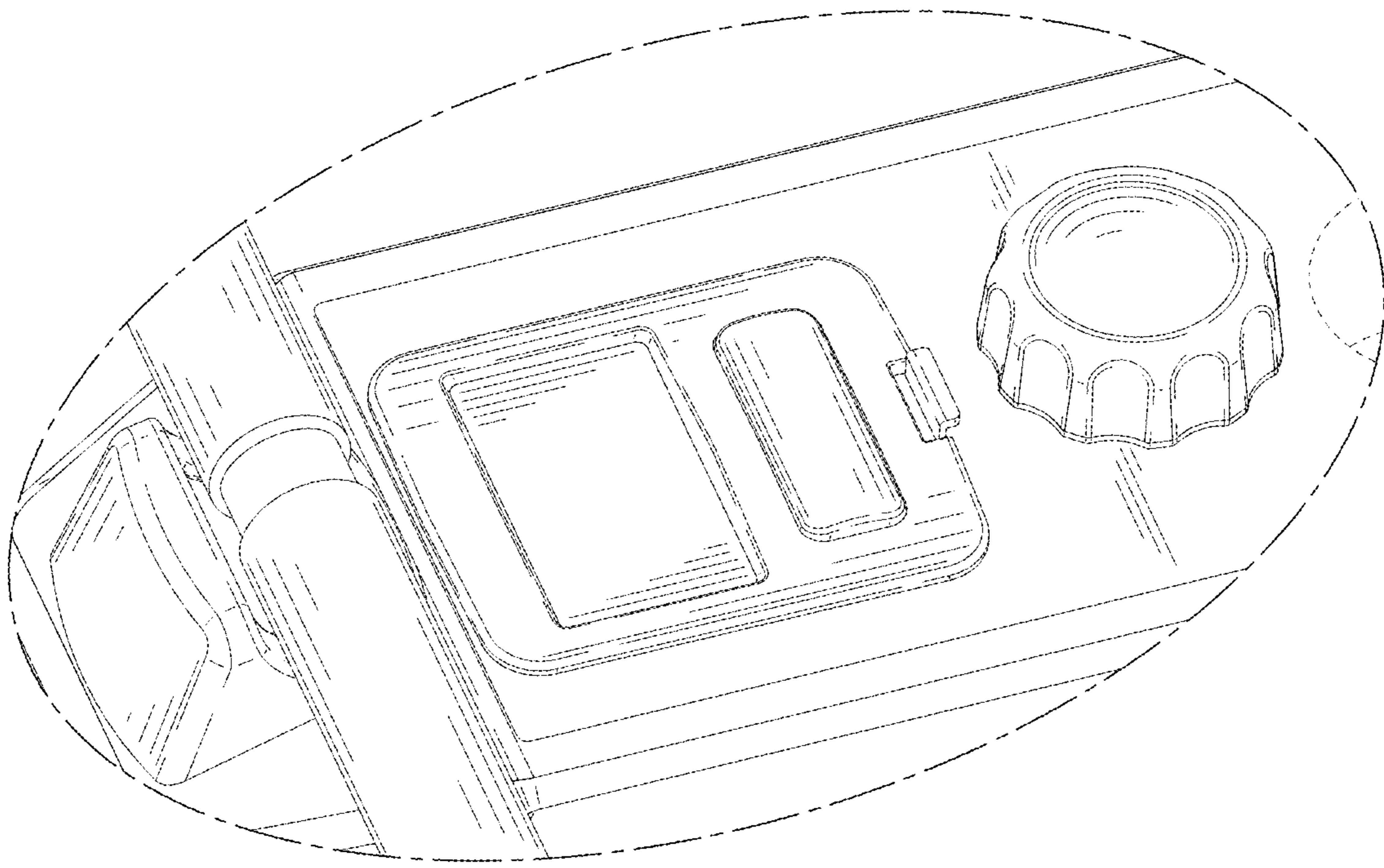


FIG. 9

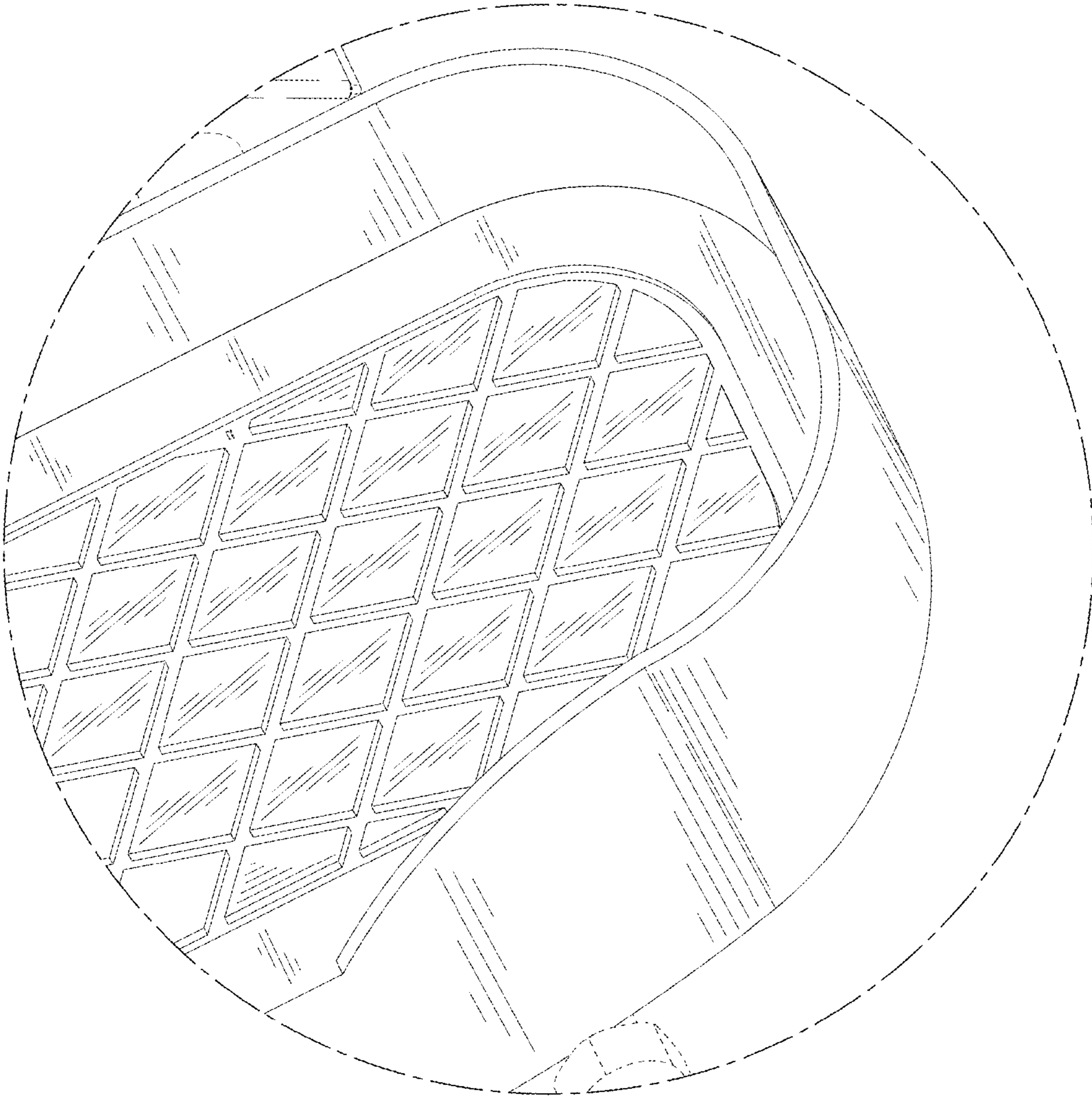


FIG. 10