

US00D969242S

(12) **United States Design Patent** (10) **Patent No.:** **US D969,242 S**  
**Ehrenreich** (45) **Date of Patent:** **\*\* Nov. 8, 2022**

(54) **EXERCISE STEP**

(71) Applicant: **PRO SOURCE SHOP INC.**, Norwood, NJ (US)

(72) Inventor: **Max Ehrenreich**, Norwood, NJ (US)

(73) Assignee: **PRO SOURCE SHOP INC.**, Norwood, NJ (US)

(\*\*) Term: **15 Years**

(21) Appl. No.: **29/826,596**

(22) Filed: **Feb. 14, 2022**

(51) **LOC (13) Cl.** ..... **21-02**

(52) **U.S. Cl.**  
USPC ..... **D21/671**

(58) **Field of Classification Search**  
USPC ..... D21/671, 686, 690, 694, 695, 673, 679;  
482/142, 52, 80, 129; D6/582  
CPC ..... A63B 23/0458; A63B 21/4029; A63B  
2210/50; A63B 21/00047; A63B  
2208/0204  
See application file for complete search history.

5,226,865 A \* 7/1993 Chin ..... A63B 23/0458  
482/52

5,248,286 A \* 9/1993 Wilkinson ..... A63B 23/0458  
482/52

D342,298 S 12/1993 Schnabel, Jr  
5,269,735 A \* 12/1993 Pfitzenmeier ..... A63B 23/0458  
472/108

5,290,210 A \* 3/1994 Hand ..... A63B 23/0458  
482/51

D346,630 S 5/1994 Van Der Hoeven  
D347,666 S 6/1994 Hand  
5,318,489 A 6/1994 Irwin  
D349,540 S 8/1994 Hand  
5,354,247 A 10/1994 Wilkinson  
D353,636 S 12/1994 Le Roux

(Continued)

*Primary Examiner* — Ryan Harvey  
 (74) *Attorney, Agent, or Firm* — Hodgson Russ LLP

(57) **CLAIM**

The ornamental design for an exercise step, as shown and described.

**DESCRIPTION**

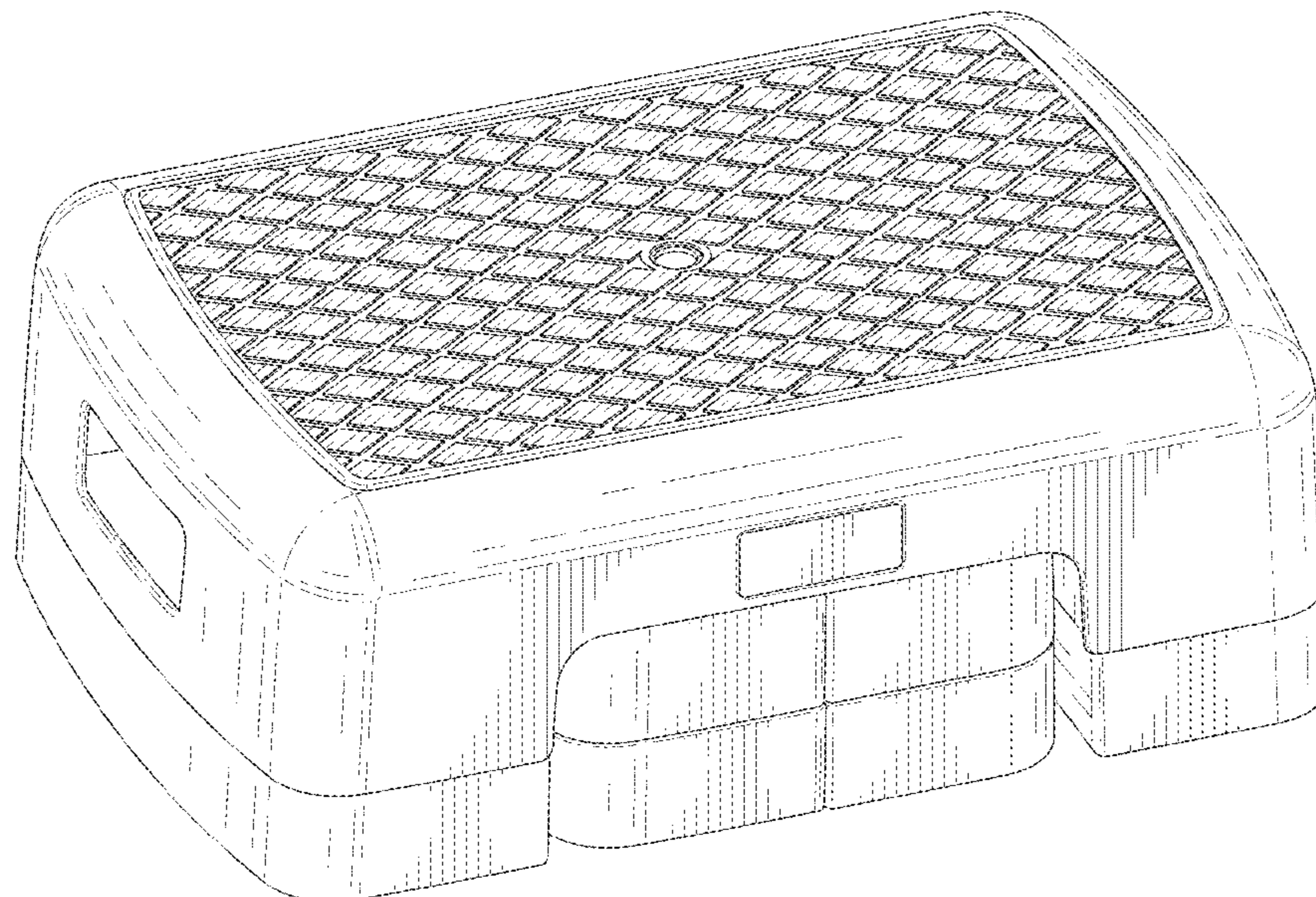
FIG. 1 is a perspective view of an exercise step showing my new design;  
 FIG. 2 is a front elevation view thereof;  
 FIG. 3 is a rear elevation view thereof;  
 FIG. 4 is a right side elevation view thereof;  
 FIG. 5 is a left side elevation view thereof;  
 FIG. 6 is a top plan view thereof;  
 FIG. 7 is another perspective view thereof, showing the removable risers removed from the base of the exercise step;  
 FIG. 8 is a bottom plan view thereof; and,  
 FIG. 9 is another perspective view thereof, showing the removable risers partially removed from the base of the exercise step.  
 The broken lines in the figures illustrate portions of the exercise step that form no part of the claimed design.

**1 Claim, 8 Drawing Sheets**

(56) **References Cited**

U.S. PATENT DOCUMENTS

5,127,647 A 7/1992 Wilkinson  
 D330,057 S \* 10/1992 Saunders ..... D21/671  
 D330,234 S \* 10/1992 Saunders ..... D21/671  
 D330,235 S \* 10/1992 Traetta ..... D6/349  
 5,154,678 A 10/1992 Adamczyk  
 5,158,512 A 10/1992 Irwin  
 D332,647 S 1/1993 Johnson  
 5,176,596 A 1/1993 Ullman  
 5,184,987 A \* 2/1993 Wilkinson ..... A63B 23/0458  
482/52  
 5,213,554 A \* 5/1993 Goldstein ..... A63B 23/0458  
482/52  
 D337,362 S \* 7/1993 Goldstein ..... D21/671



(56)

References Cited

U.S. PATENT DOCUMENTS

D355,458 S \* 2/1995 Chen ..... D21/673  
 D357,517 S \* 4/1995 Traetta ..... D6/349  
 D360,767 S 8/1995 Fish  
 5,441,466 A 8/1995 Piaget  
 5,474,509 A 12/1995 Hodgdon  
 D369,842 S 5/1996 Gvoich  
 D370,949 S 6/1996 Furner  
 D371,176 S \* 6/1996 Furner ..... D21/671  
 5,591,105 A \* 1/1997 Dalebout ..... A63B 23/0458  
 482/52  
 5,599,258 A 2/1997 Stone  
 5,645,511 A 7/1997 Le Roux  
 D385,317 S 10/1997 Henriksen  
 5,683,331 A \* 11/1997 Dalebout ..... A63B 23/0458  
 482/52  
 5,697,870 A \* 12/1997 Osborn ..... A63B 71/0036  
 482/52  
 5,772,559 A 6/1998 Sithole  
 D408,555 S \* 4/1999 Albrecht ..... D25/65  
 D413,989 S \* 9/1999 Dupont ..... D25/62  
 D424,123 S 5/2000 Henriksen  
 D449,357 S \* 10/2001 Monter Villar ..... D21/686  
 D449,662 S \* 10/2001 Monter Villar ..... D21/686  
 6,558,301 B1 \* 5/2003 Jackson ..... A63B 21/155  
 482/121  
 D519,172 S \* 4/2006 Penat ..... D21/694  
 D560,260 S \* 1/2008 Flentye ..... D21/694  
 8,348,812 B2 1/2013 Elpers  
 D680,599 S \* 4/2013 Orenstein ..... D21/671  
 D681,138 S \* 4/2013 Hodgkins ..... D21/686  
 D681,750 S \* 5/2013 Meyer-Hayoz ..... D21/686  
 D695,367 S 12/2013 Lovegrove  
 8,647,238 B2 2/2014 Lepore  
 8,696,523 B2 4/2014 Elpers  
 8,702,570 B1 \* 4/2014 DelPriore ..... A63B 23/0355  
 482/52  
 9,022,912 B2 5/2015 Matsuno  
 D736,867 S 8/2015 Glickfield  
 D737,385 S 8/2015 Woniger  
 D739,481 S 9/2015 Glickfield  
 9,192,813 B2 11/2015 Ross  
 D753,777 S \* 4/2016 Radtke ..... D21/686  
 D775,285 S \* 12/2016 Irwin ..... D21/671  
 D790,640 S \* 6/2017 Chak ..... D21/671  
 D804,590 S 12/2017 Hillson  
 D806,806 S 1/2018 Chen  
 D813,961 S 3/2018 Ness  
 D822,774 S 7/2018 Strong Crawley  
 D825,696 S 8/2018 Uribe  
 10,076,680 B2 9/2018 Hillson  
 10,252,103 B2 4/2019 Irwin

D855,718 S 8/2019 Hsu  
 D863,472 S \* 10/2019 Endelman ..... A63B 22/0087  
 D21/695  
 D864,316 S 10/2019 Brown  
 D890,869 S 7/2020 Jones  
 D899,536 S 10/2020 Endelman  
 10,894,183 B2 1/2021 Irwin  
 D915,532 S 4/2021 Manson  
 D916,213 S 4/2021 Dunahay  
 D919,019 S \* 5/2021 Jaquish ..... D21/679  
 D921,134 S \* 6/2021 Jaquish ..... D21/686  
 D921,778 S \* 6/2021 Grbic ..... D21/686  
 D925,666 S \* 7/2021 Jaquish ..... D21/679  
 D942,560 S 2/2022 Chen  
 D944,903 S \* 3/2022 Jones ..... D21/671  
 D949,259 S \* 4/2022 Cheng ..... D21/686  
 D958,386 S \* 7/2022 Jaquish ..... D24/215  
 2002/0177509 A1 11/2002 Rodgers  
 2006/0128540 A1 6/2006 Engle  
 2006/0189448 A1 \* 8/2006 Flentye ..... A63B 23/0458  
 482/52  
 2006/0189449 A1 \* 8/2006 Flentye ..... A63B 23/0458  
 482/52  
 2006/0287171 A1 \* 12/2006 Gerstung ..... A63B 69/0035  
 482/121  
 2007/0087902 A1 \* 4/2007 Penat ..... A63B 23/0458  
 482/52  
 2011/0207583 A1 \* 8/2011 Elpers ..... A63B 23/0458  
 482/52  
 2011/0256987 A1 \* 10/2011 Lepore ..... A63B 23/0458  
 482/52  
 2012/0202652 A1 \* 8/2012 Ross ..... A63B 23/0458  
 482/52  
 2012/0208678 A1 \* 8/2012 Knilans ..... A63B 23/0458  
 482/52  
 2013/0023392 A1 1/2013 Glickfield  
 2014/0051553 A1 2/2014 Hetzel  
 2014/0066262 A1 \* 3/2014 Kennedy ..... A63B 71/0036  
 482/52  
 2014/0221182 A1 \* 8/2014 Lin ..... A63B 23/03525  
 482/142  
 2015/0057138 A1 \* 2/2015 Knilans ..... A63B 23/0458  
 482/142  
 2015/0133280 A1 \* 5/2015 Maximillian ..... A63B 26/003  
 482/142  
 2015/0196799 A1 \* 7/2015 Chua ..... A63B 21/00047  
 482/141  
 2016/0199689 A1 \* 7/2016 Irwin ..... B32B 21/047  
 482/142  
 2019/0184221 A1 6/2019 Minuto  
 2021/0138289 A1 \* 5/2021 Jones ..... A63B 21/4033

\* cited by examiner

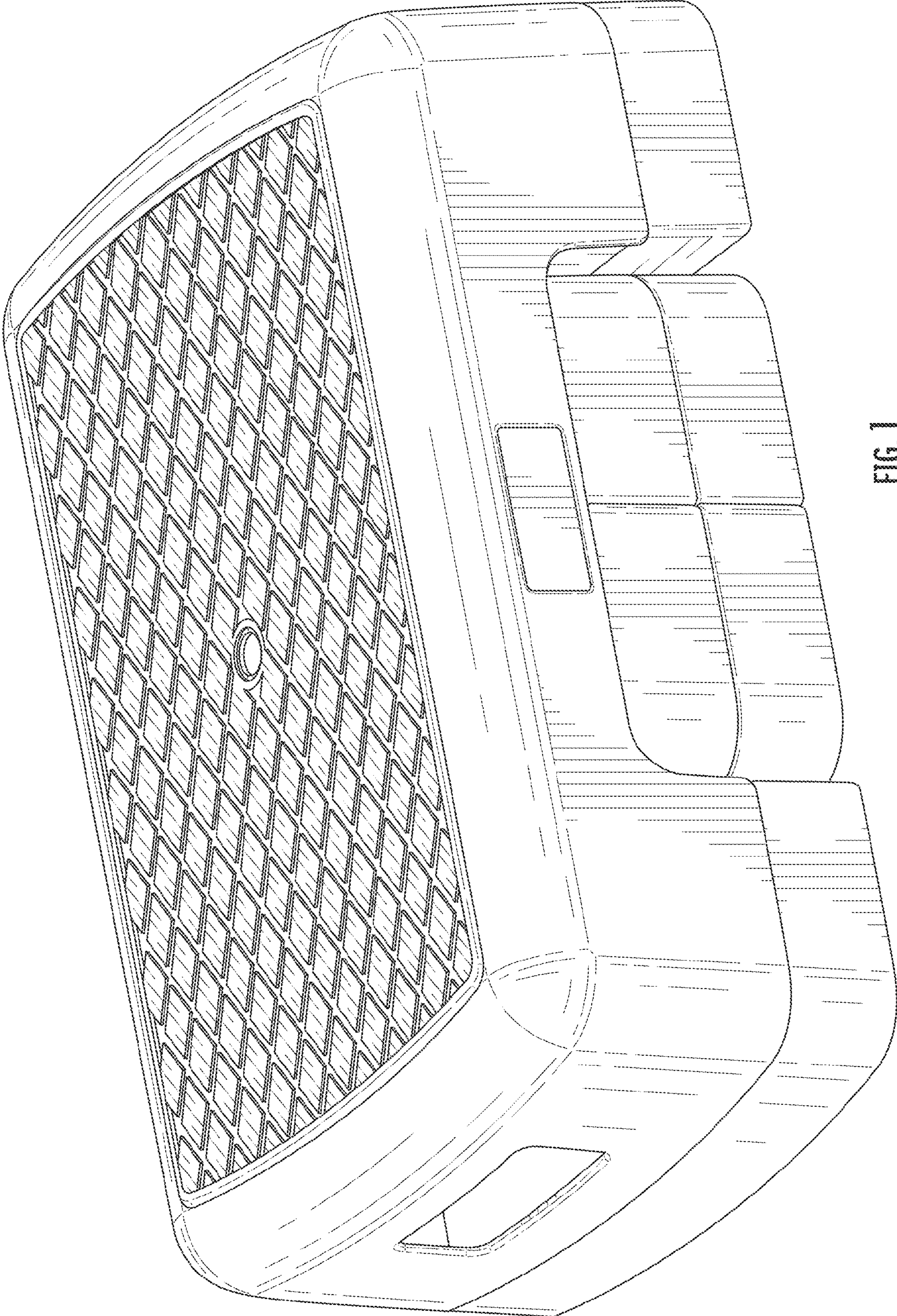


FIG. 1

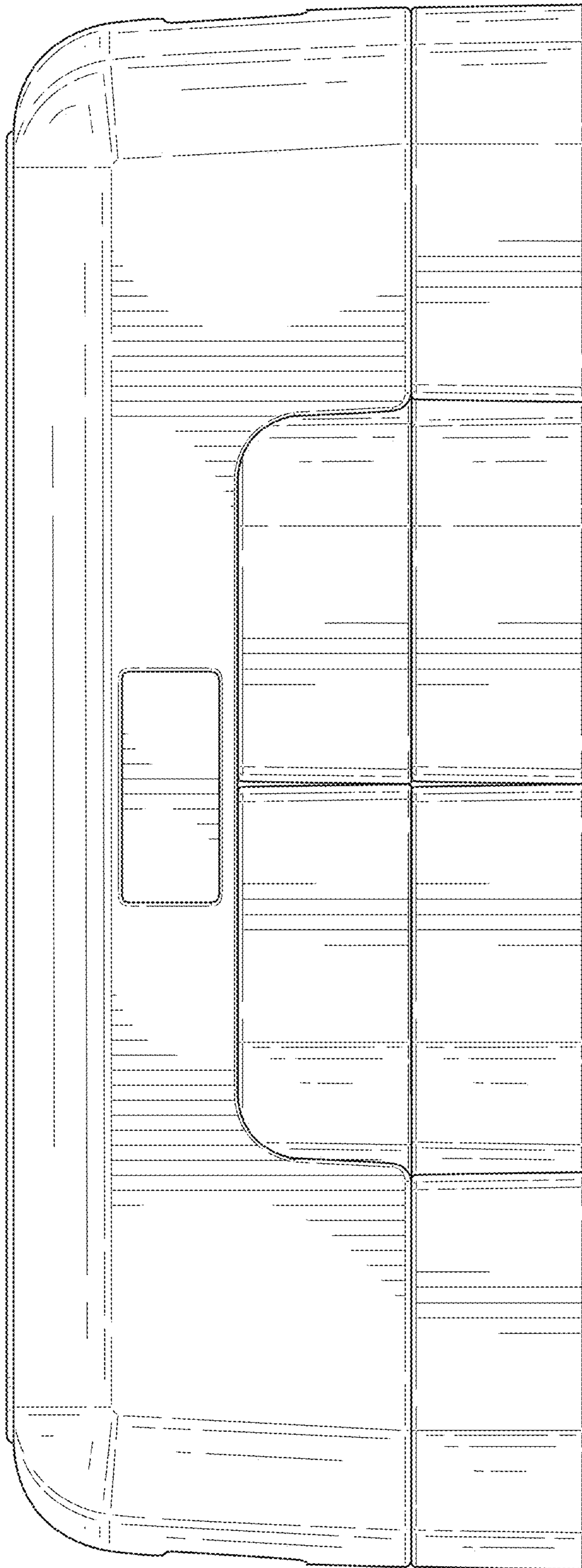


FIG. 2

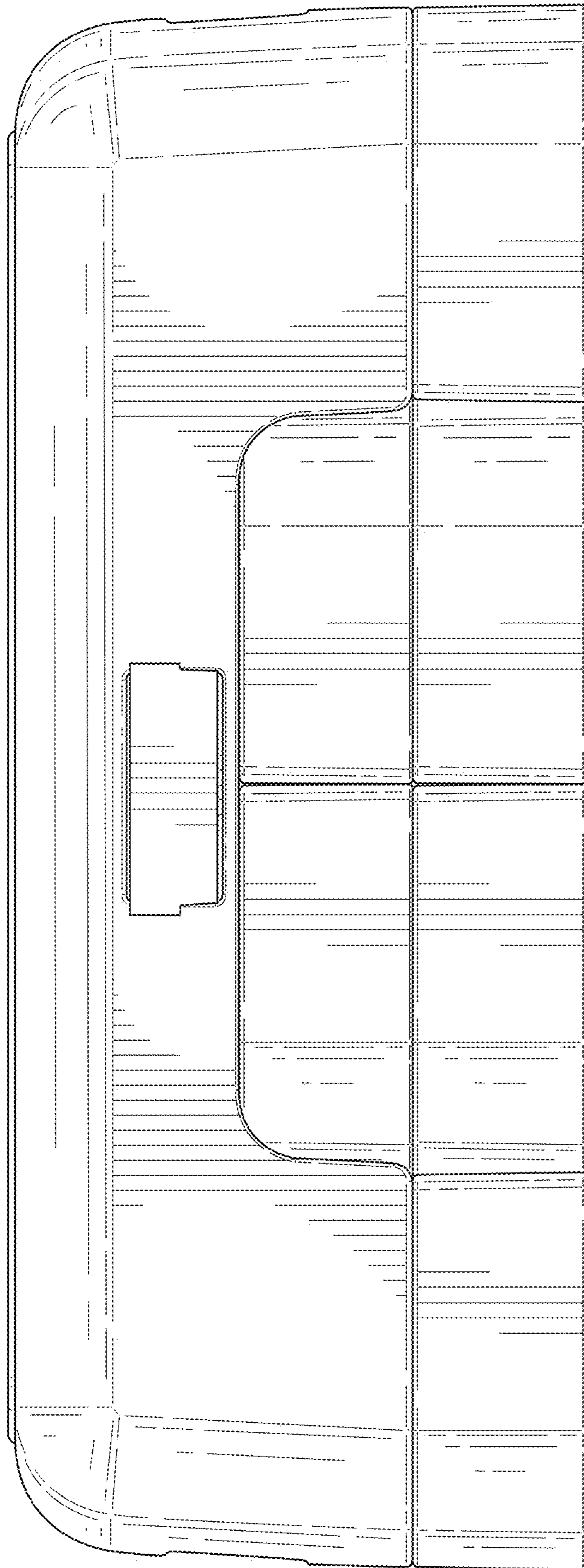


FIG. 3

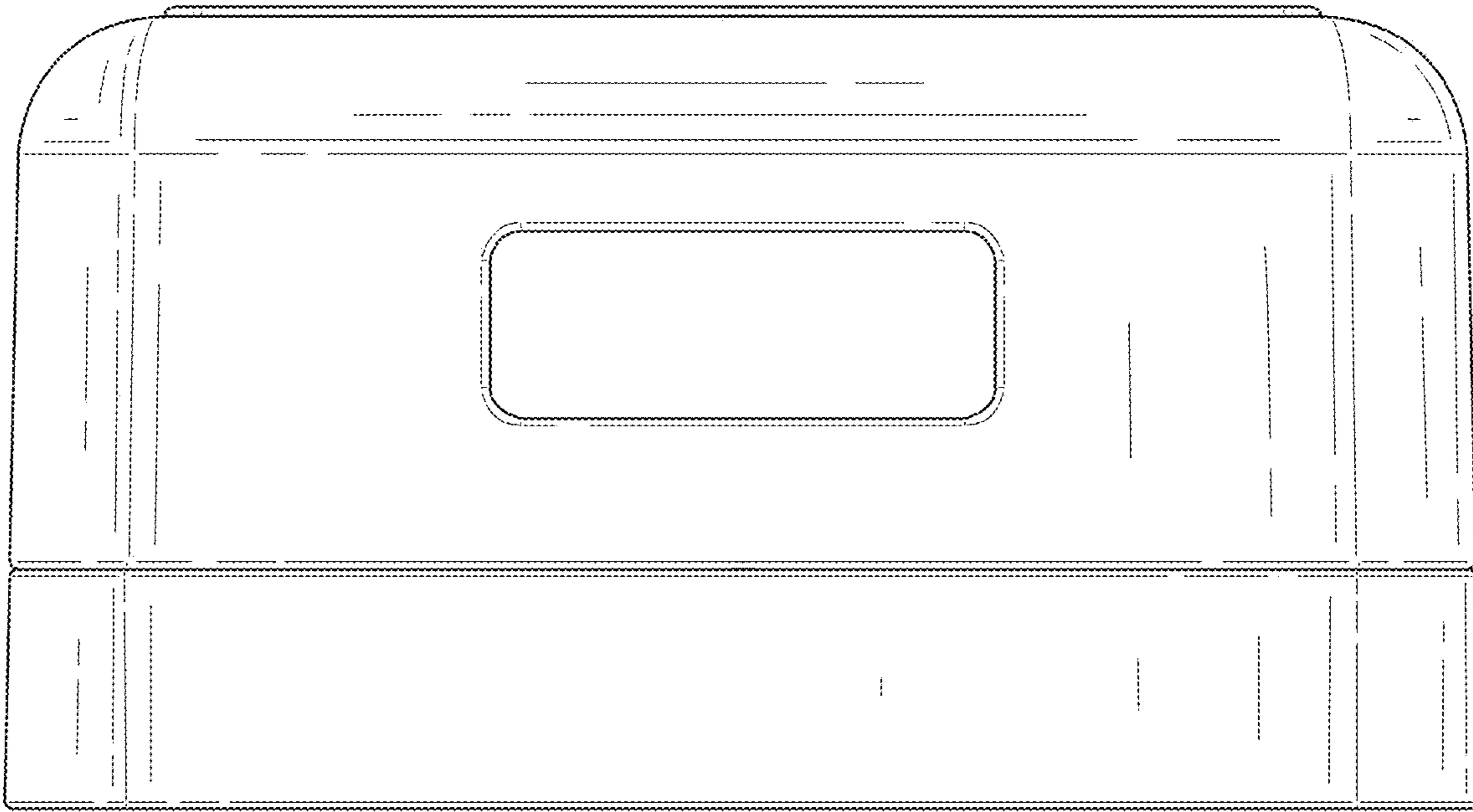


FIG. 4

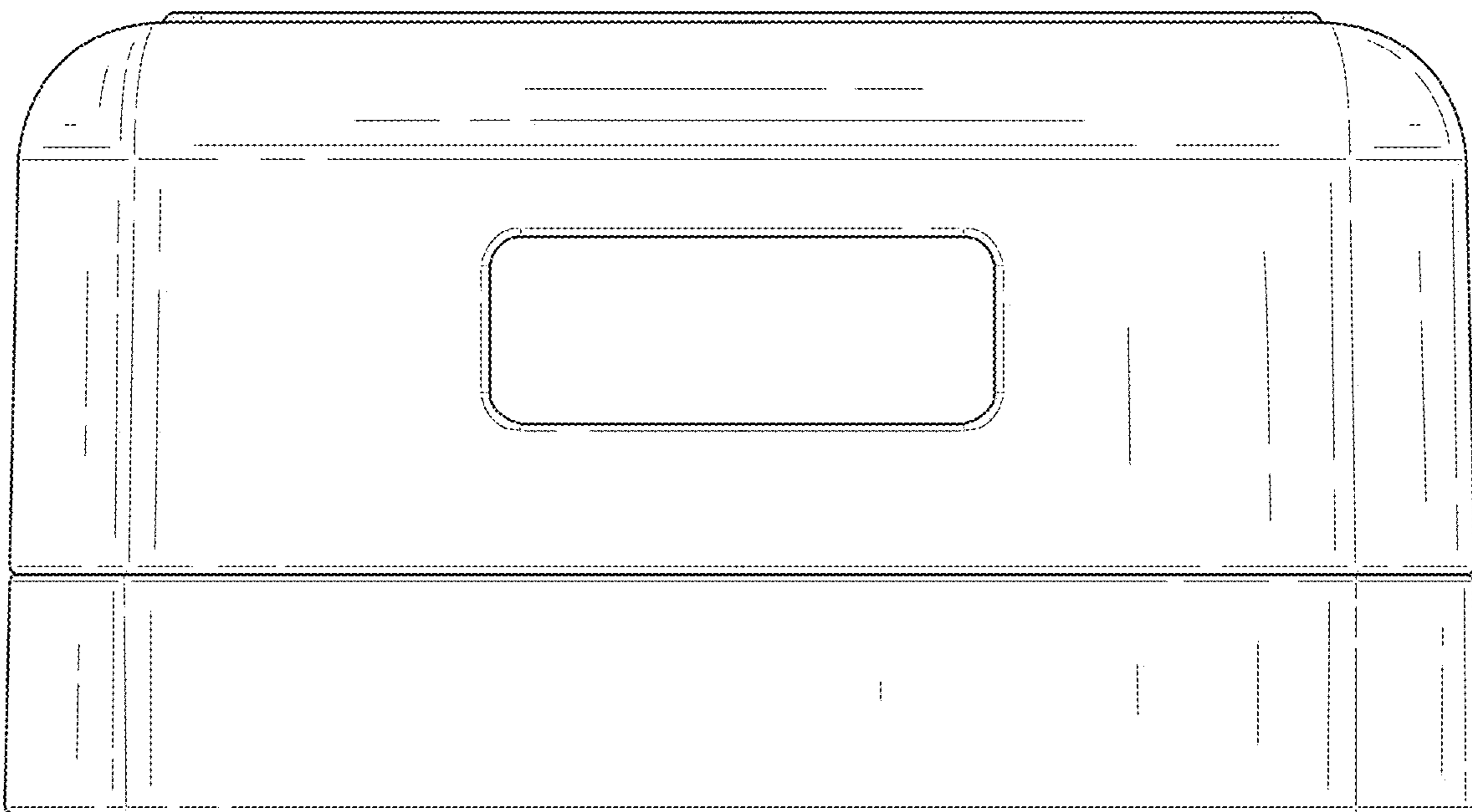


FIG. 5

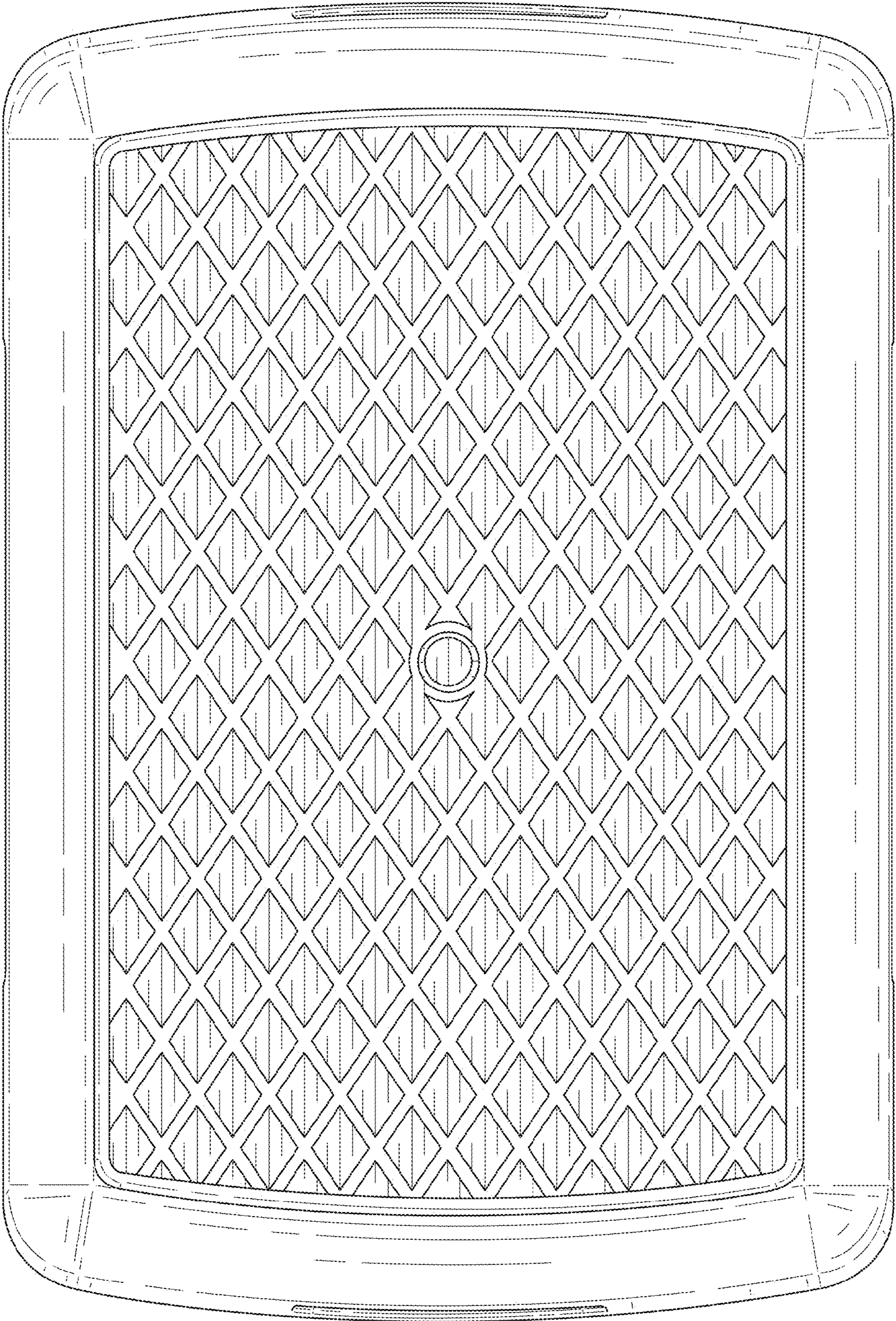


FIG. 6

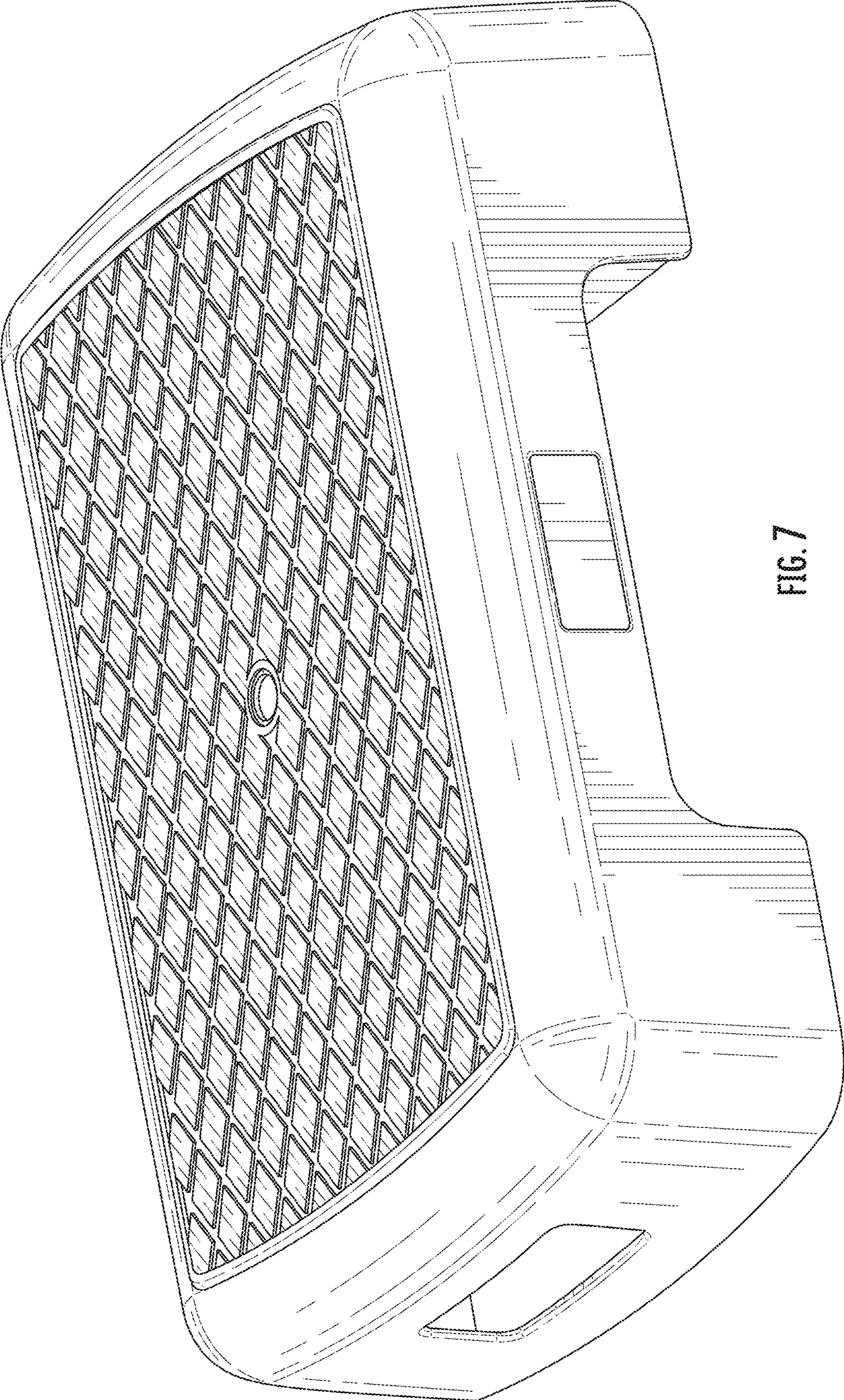


FIG. 7



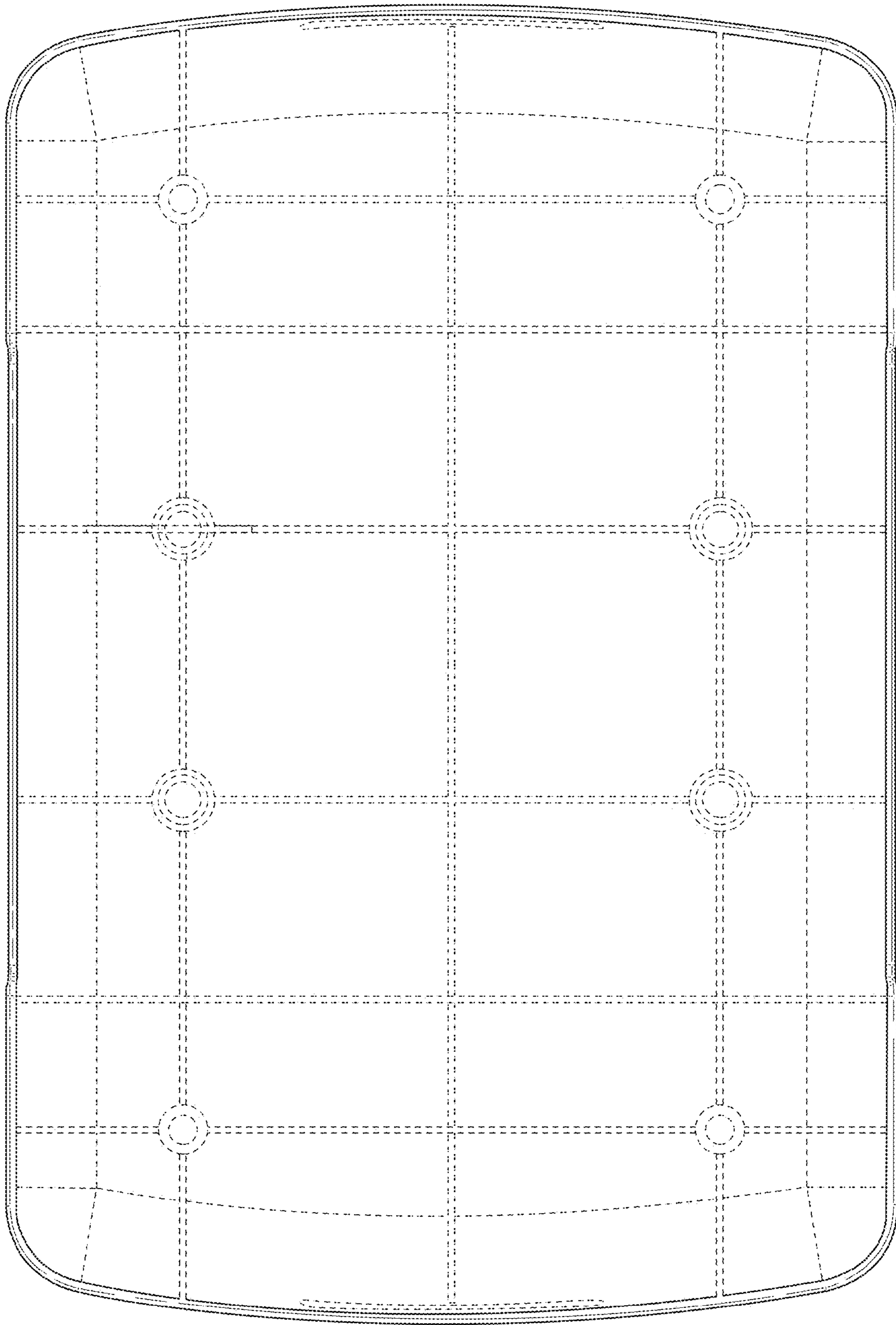


FIG. 8

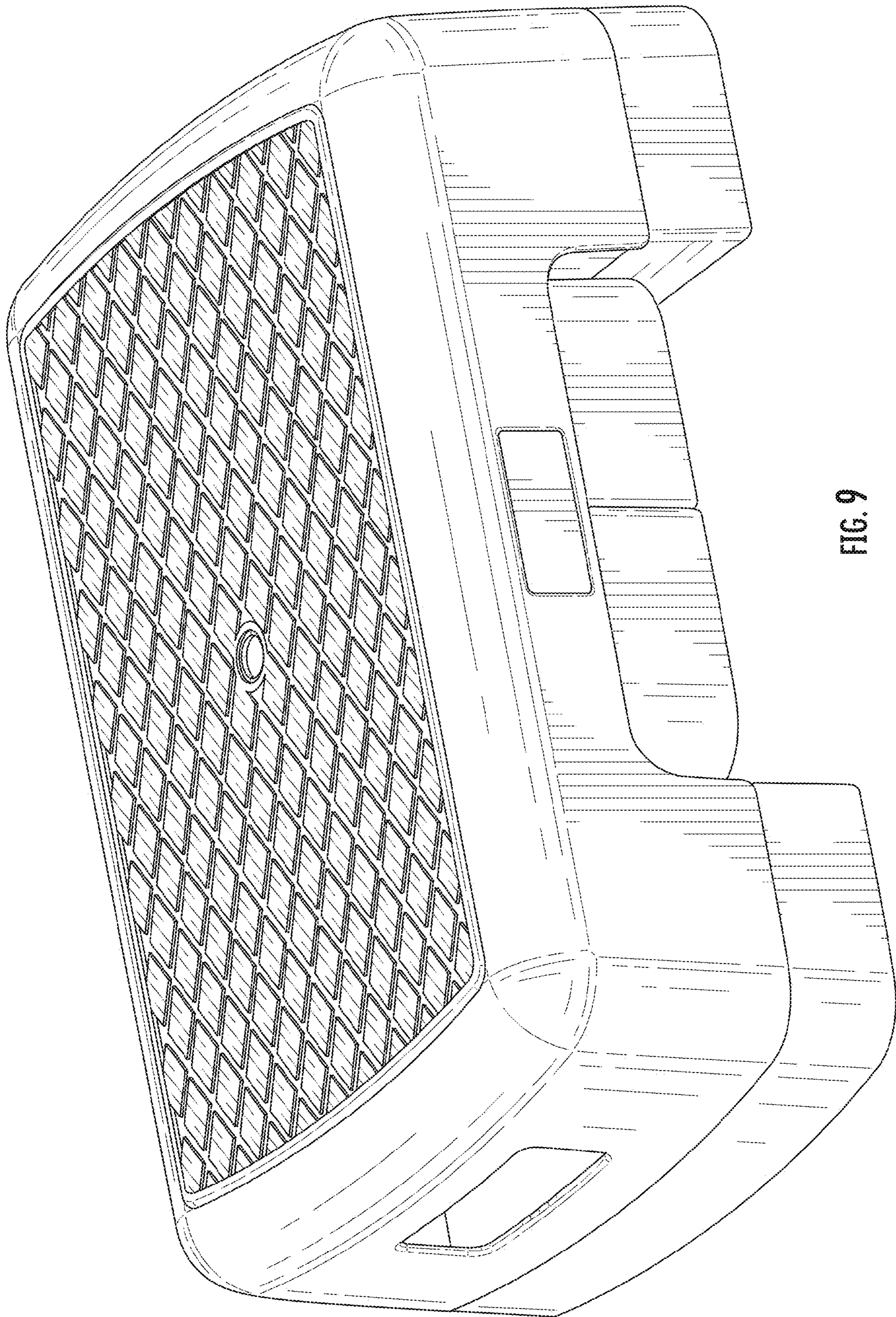


FIG. 9