

US00D969238S

(12) **United States Design Patent**
Kim

(10) **Patent No.:** **US D969,238 S**

(45) **Date of Patent:** **** Nov. 8, 2022**

(54) **BLOCK TOY FIGURINE**

(71) Applicant: **Young-Man Kim**, Busan (KR)

(72) Inventor: **Young-Man Kim**, Busan (KR)

(73) Assignee: **Young-Man Kim**, Busan (KR)

(**) Term: **15 Years**

(21) Appl. No.: **29/775,152**

(22) Filed: **Mar. 22, 2021**

(30) **Foreign Application Priority Data**

Sep. 22, 2020 (KR) 30-2020-0045661

(51) **LOC (13) Cl.** **21-01**

(52) **U.S. Cl.**
USPC **D21/658**

(58) **Field of Classification Search**
USPC D11/160; D21/576, 578, 585, 621-623,
D21/630-631, 634, 636-637, 658-661
CPC A63H 3/16; A63H 3/00
See application file for complete search history.

(56) **References Cited**

U.S. PATENT DOCUMENTS

4,569,666 A * 2/1986 Wolf A63H 13/10
446/308
D366,076 S * 1/1996 Pedersen D21/621

D611,108 S * 3/2010 Bodin D21/621
D689,567 S * 9/2013 Pilgaard D21/621
D689,568 S * 9/2013 Pilgaard D21/658
9,844,734 B2 * 12/2017 Garling F41B 15/00
D864,314 S * 10/2019 Kim D21/621
D879,213 S * 3/2020 Hazzard D21/621
D887,501 S * 6/2020 Zhan D21/621
D910,784 S * 2/2021 Wang D21/658
2014/0227936 A1 * 8/2014 Botterill A63H 33/062
446/99

* cited by examiner

Primary Examiner — Michael C Stout

Assistant Examiner — Melvin L Davis

(74) *Attorney, Agent, or Firm* — Berenato & White, LLC

(57) **CLAIM**

The ornamental design for a block toy figurine, as shown and described.

DESCRIPTION

FIG. 1 is a front perspective view of a block toy figurine;
FIG. 2 is a front elevational view;
FIG. 3 is a rear elevational view;
FIG. 4 is a left side view;
FIG. 5 is a right side view;
FIG. 6 is a top plan view;
FIG. 7 is a bottom plan view;
FIG. 8 is a top rear perspective view; and,
FIG. 9 is a bottom rear perspective view.

1 Claim, 9 Drawing Sheets

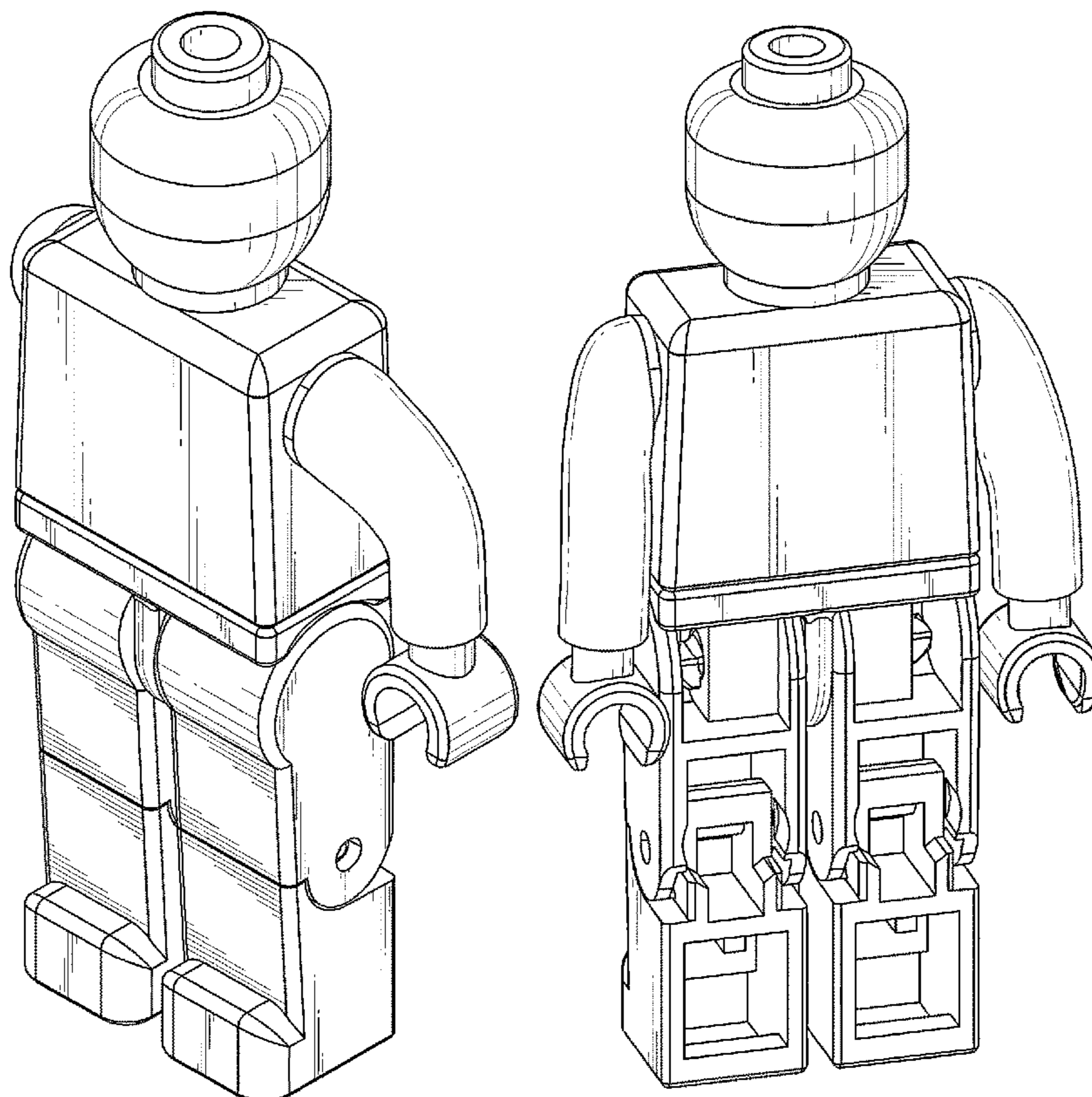


Fig. 1

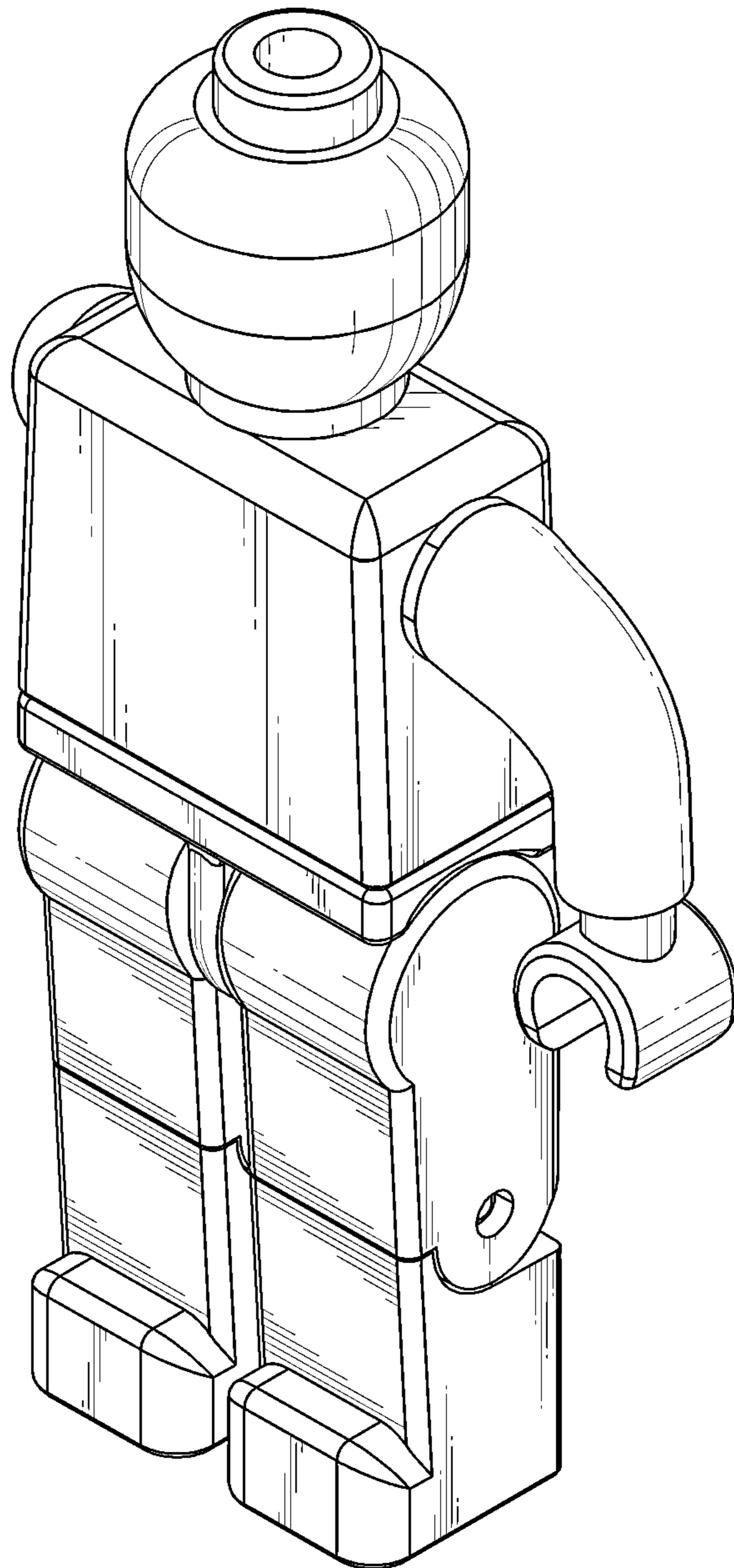


Fig. 2

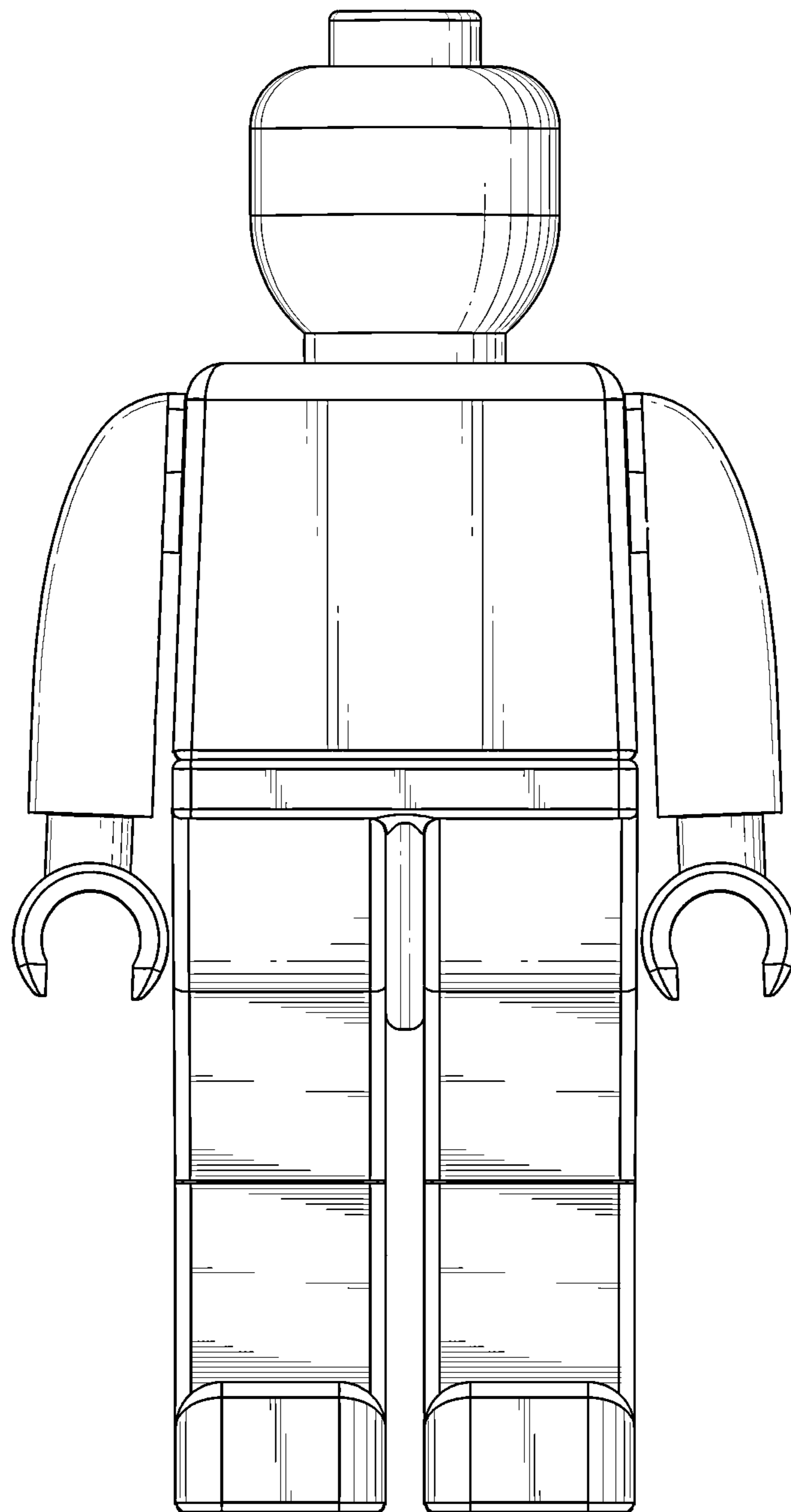


Fig. 3

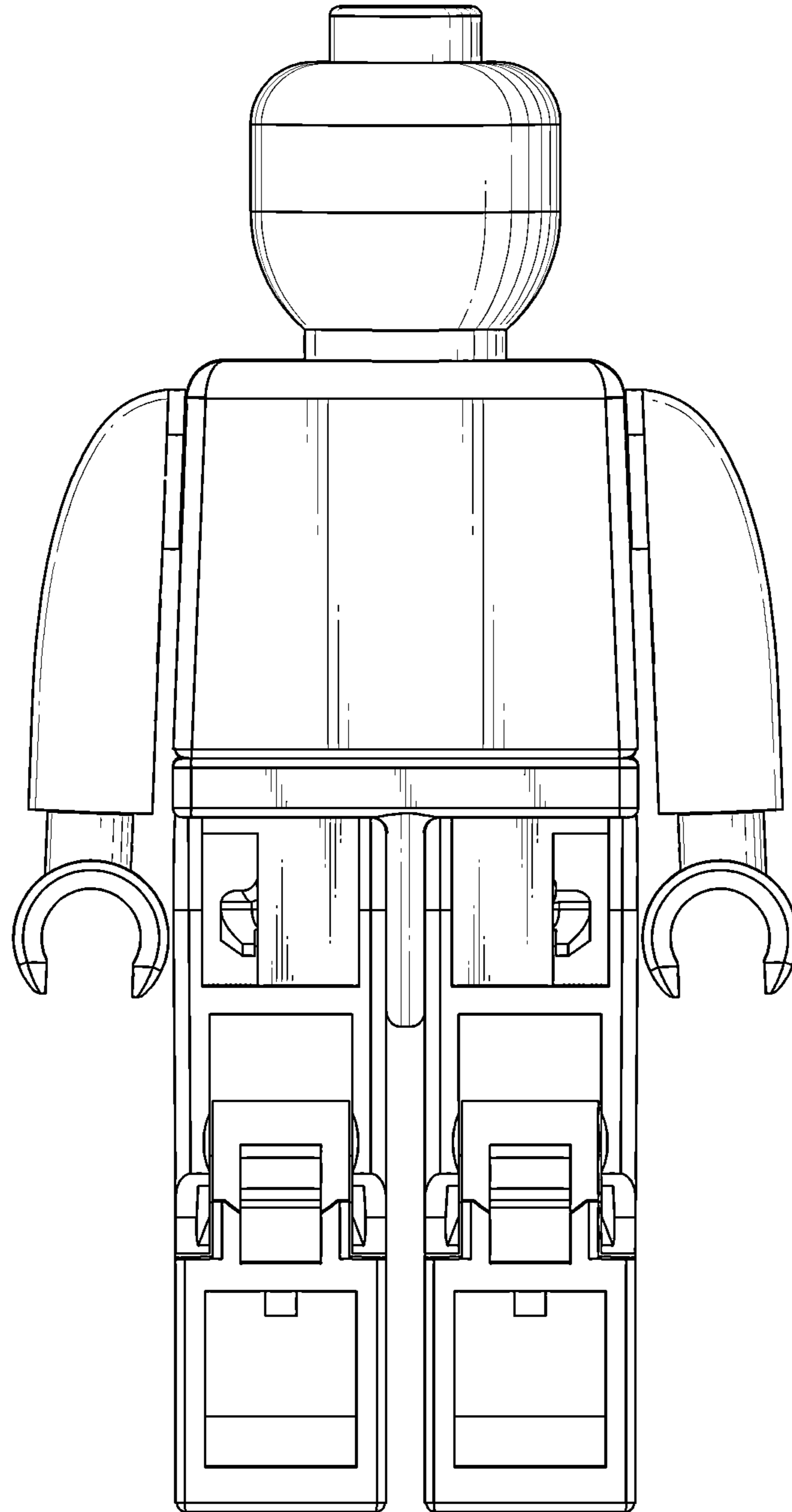


Fig. 4

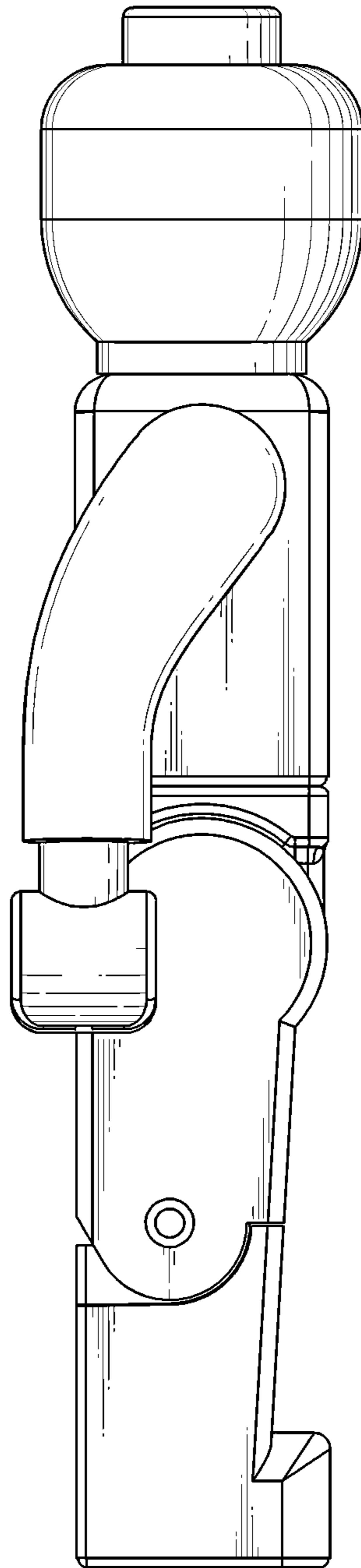


Fig. 5

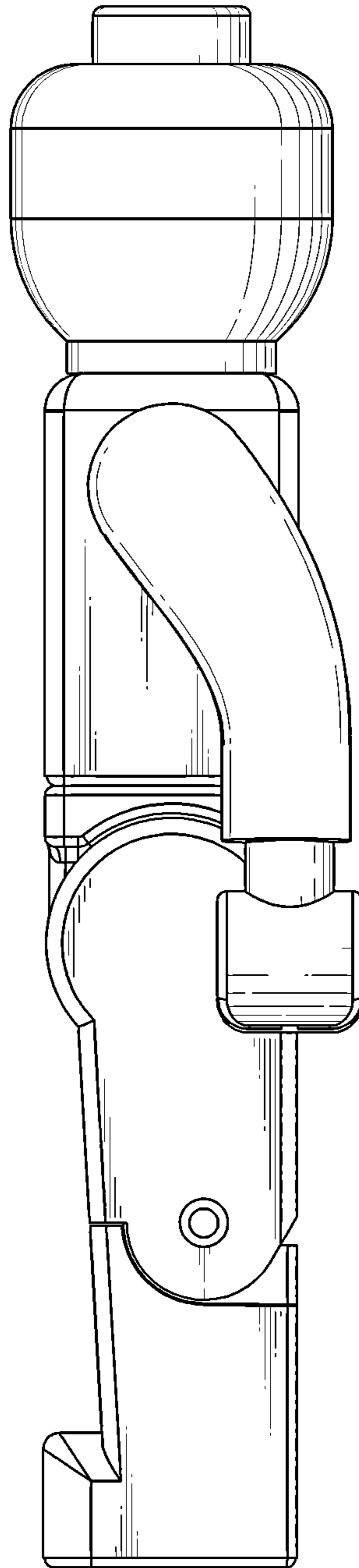


Fig. 6

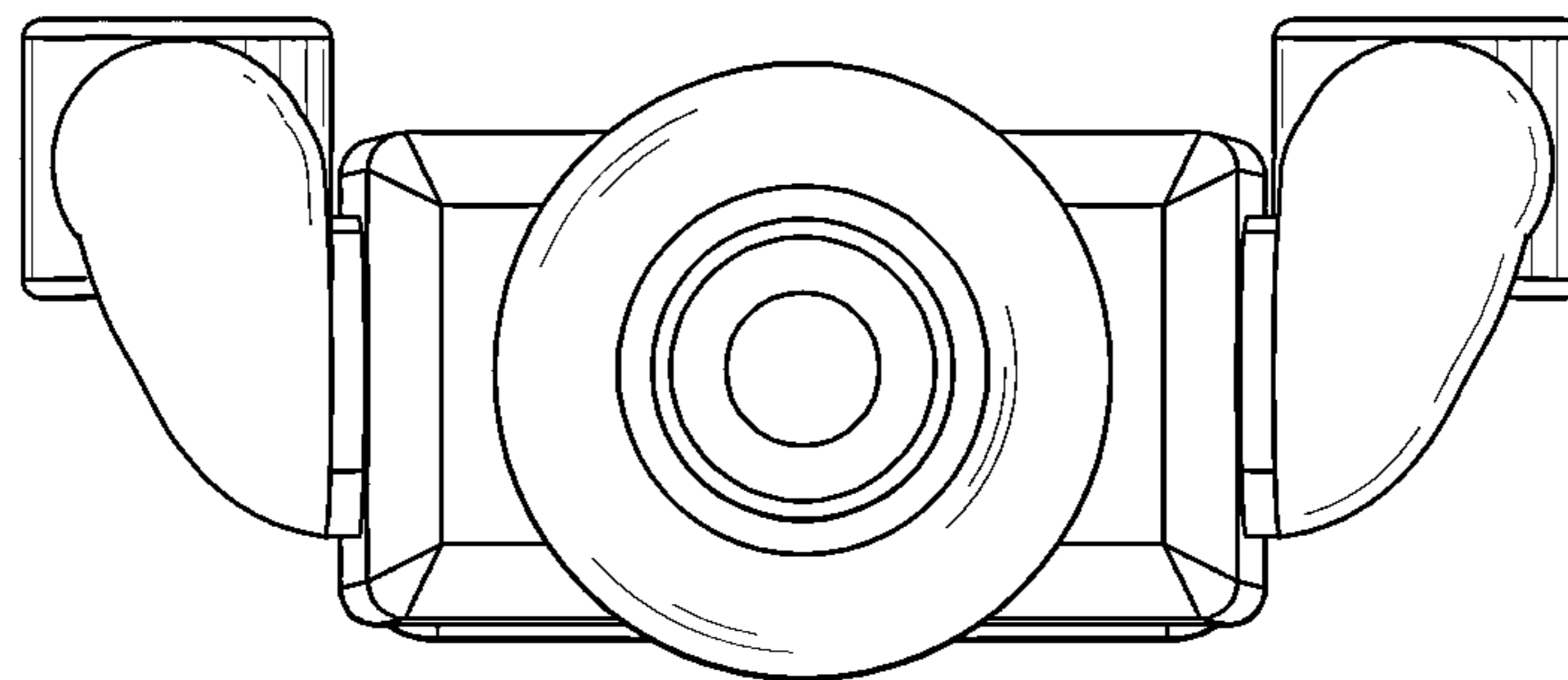


Fig. 7

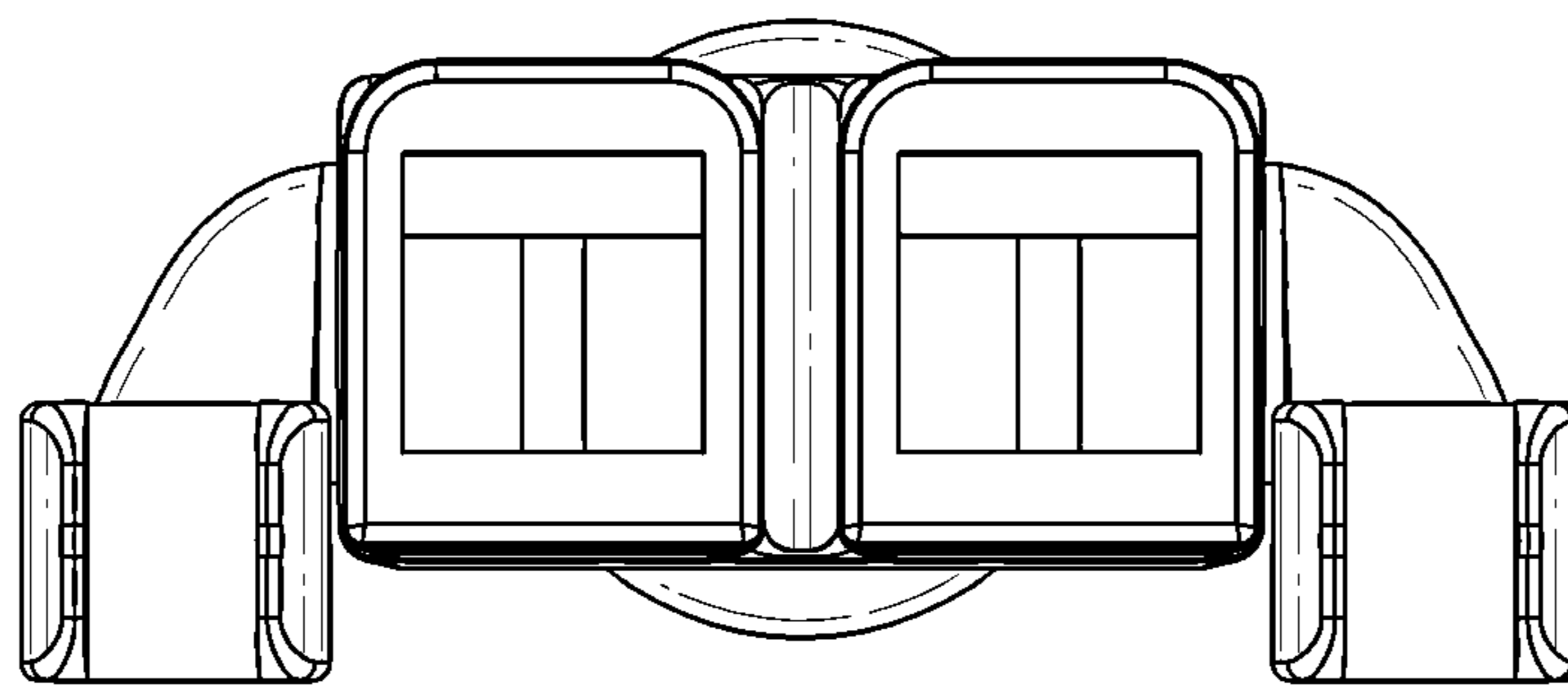


Fig. 8

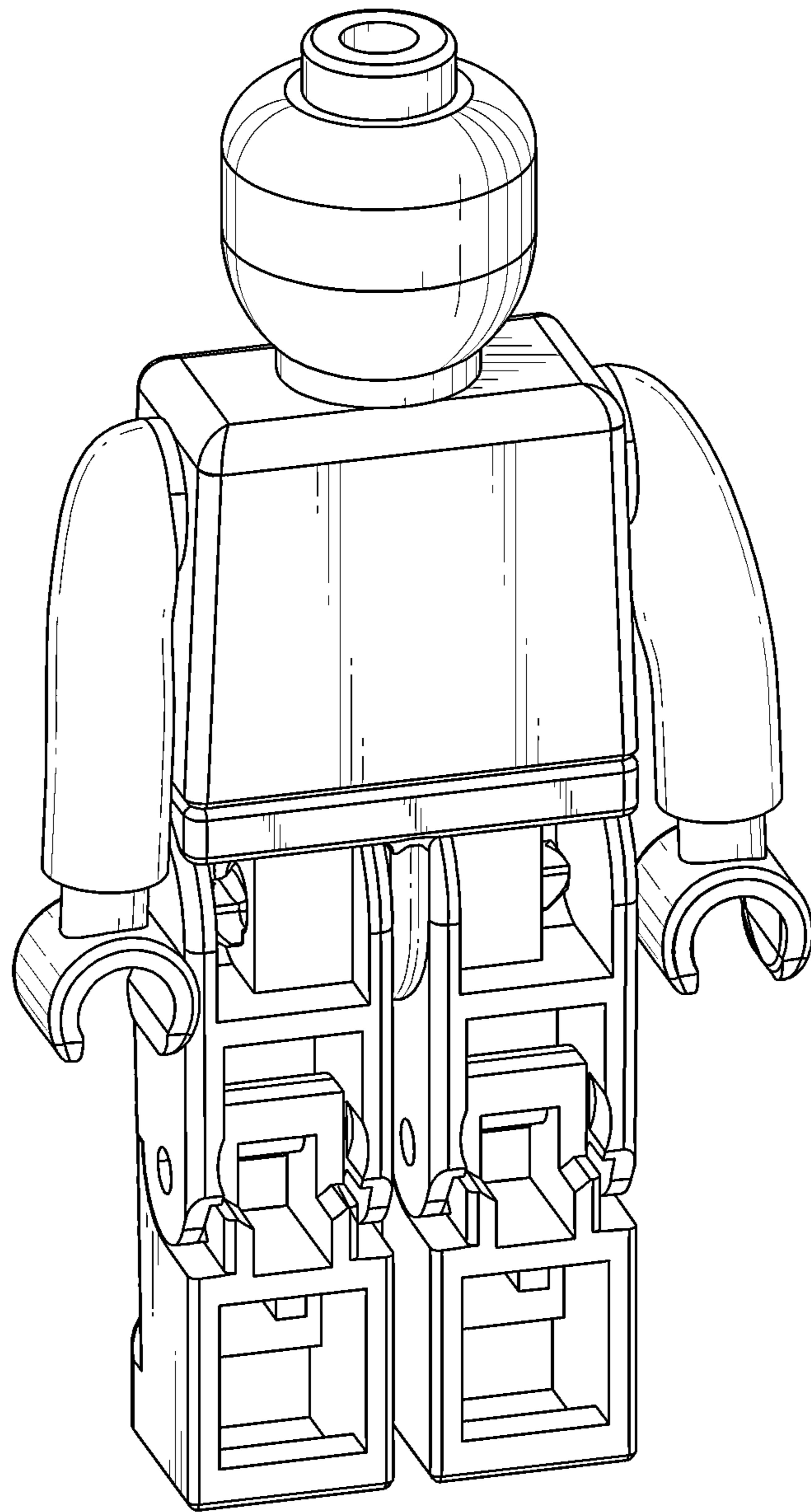


Fig. 9

