



US00D969235S

(12) **United States Design Patent** (10) **Patent No.:** **US D969,235 S**
Zheng (45) **Date of Patent:** **** Nov. 8, 2022**

(54) **TOY WATER GUN**
(71) Applicant: **Wenquan Zheng**, Chaozhou (CN)
(72) Inventor: **Wenquan Zheng**, Chaozhou (CN)
(**) Term: **15 Years**
(21) Appl. No.: **29/791,637**
(22) Filed: **Jan. 26, 2022**
(51) **LOC (13) Cl.** **21-01**
(52) **U.S. Cl.**
USPC **D21/572; D21/575**
(58) **Field of Classification Search**
USPC D21/301, 324-327, 331-333, 385, 401,
D21/567-575; D22/100-108;
D14/412-413, 415-416, 418, 426-428,
D14/430; D10/46, 98
CPC A63H 33/009; A63H 33/28; A63H 33/30;
A63H 33/3072; A63H 33/36; A63H
2200/00; F41C 3/005; F41C 3/06; F41C
3/08; F41C 3/10; F41C 3/12; F41C 3/00;
F41C 3/14; F41C 3/16; F41C 7/00; F41C
7/02; F41C 7/025; F41C 7/04; F41C
7/06; F41C 7/11; F41C 7/12; F41C 9/00;
F41C 27/00; F41C 33/08; F41B 7/08;
F41B 11/89; F41B 5/00; F41B 5/0005;
F41B 5/001; F41B 5/0026; F41B 5/0031;
F41B 5/0052; F41B 5/0073; F41B
5/0094; F41B 5/10; F41B 5/12; F41B
5/123; F41B 5/126; F41B 1/00; F41B
9/00; F41B 9/005; F41B 9/0053; F41B
9/0009; F41B 9/0012; F41B 9/0028;
F41B 9/0031; F41B 9/0078; F41B
9/0081; F41B 9/0096; A63F 13/837;
A63F 13/92; A63F 13/98; A63F 13/00;
A63F 13/20; A63F 13/24; A63F 13/245;
A63F 9/02; A63F 9/0252; A63F
2009/0256; A63F 2009/0265; A63F
2009/026; G06F 3/011; G06F 3/014;
G06F 3/02; G06F 3/0202; G06F
2203/0331; G01S 13/92; G01S 13/91;
G01S 13/93; G01S 13/931; G01S
2013/932

See application file for complete search history.

(56) **References Cited**
U.S. PATENT DOCUMENTS
D344,109 S * 2/1994 Lin D21/575
D479,286 S 9/2003 Menow et al.
D533,233 S * 12/2006 Chuang D21/572
D533,234 S * 12/2006 Chuang D21/572
D533,235 S * 12/2006 Chuang D21/572
D536,748 S * 2/2007 Chuang D21/572
D557,357 S * 12/2007 Johnston D21/572
D621,450 S * 8/2010 Wong D21/615
(Continued)

FOREIGN PATENT DOCUMENTS
WO WO-2006133068 A2 * 12/2006 F41B 9/0081

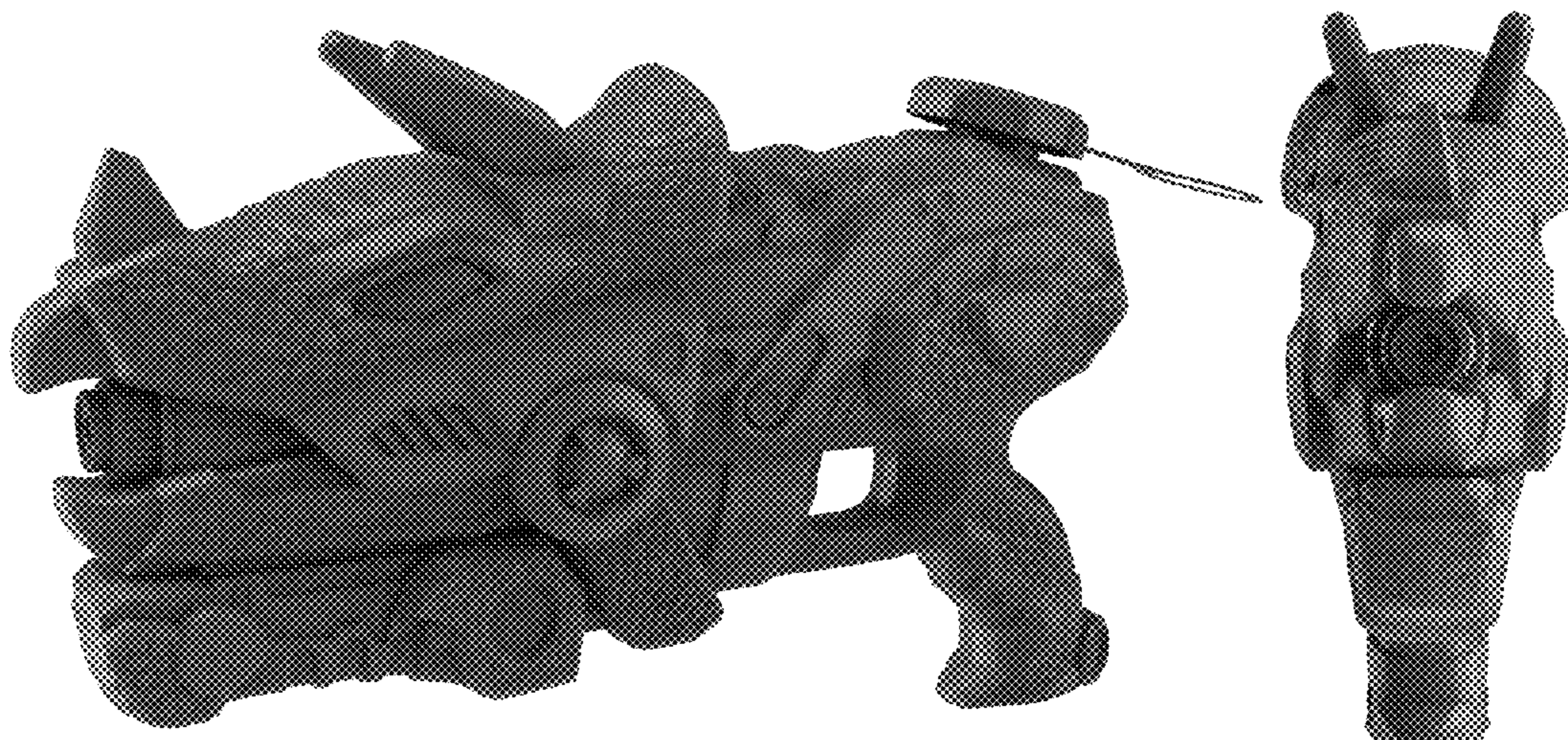
OTHER PUBLICATIONS
Zheng, Wenjie, CN Design No. 307193889, published at Orbit, publication date Mar. 22, 2022. Site visited Sep. 14, 2022. Available from Internet. (Year: 2022).*
(Continued)

Primary Examiner — Kathleen L Jones

(57) **CLAIM**
The ornamental design for a toy water gun, as shown and described.

DESCRIPTION
FIG. 1 is a perspective view of a toy water gun showing my new design;
FIG. 2 is a front elevational view thereof;
FIG. 3 is a rear elevational view thereof;
FIG. 4 is a left side elevational view thereof;
FIG. 5 is a right side elevational view thereof;
FIG. 6 is a top plan view thereof; and,
FIG. 7 is a bottom plan view thereof.

1 Claim, 7 Drawing Sheets



(56)

References Cited

U.S. PATENT DOCUMENTS

D660,921 S	5/2012	Johnson et al.	
D723,114 S *	2/2015	Li	D21/573
D823,977 S *	7/2018	Demonico	D22/108
D846,687 S *	4/2019	Demonico	D22/108
D928,246 S *	8/2021	Chen	D21/615
D933,139 S *	10/2021	Chen	D21/615
D939,639 S *	12/2021	Chen	D21/615
D939,640 S *	12/2021	Chen	D21/615

OTHER PUBLICATIONS

OkidSTEM Water Gun, posted at Amazon, review posting date Apr. 19, 2022. Site visited Sep. 15, 2022. URL: <<https://www.amazon.com/OkidSTEM-Squirt-Pistol-Blaster-Outdoor/dp/B09TFFQ95M?th=1>> (Year: 2022).*

Cai, Likun, CN Design No. 306107204, published at Orbit, publication date Oct. 16, 2020. Site visited Sep. 7, 2022. Available from Internet. (Year: 2020).*

Li, Jingfen, CN Design No. 307350665, published at Orbit, publication date May 17, 2022. Site visited Sep. 14, 2022. Available from Internet. (Year: 2022).*

Huang, Haoru, CN Design No. 307004455, published at Orbit, publication date Dec. 14, 2021. Site visited Sep. 7, 2022. Available from Internet. (Year: 2021).*

Smyths Toys, Nerf DinoSquad Tricera-Blast Dart Blaster, posted at YouTube, posting date Feb. 12, 2021. Site visited Sep. 15, 2022. URL: <https://www.youtube.com/watch?v=Vmu6zzSel_w> (Year: 2021).*

* cited by examiner



FIG. 1



FIG. 2



FIG. 3

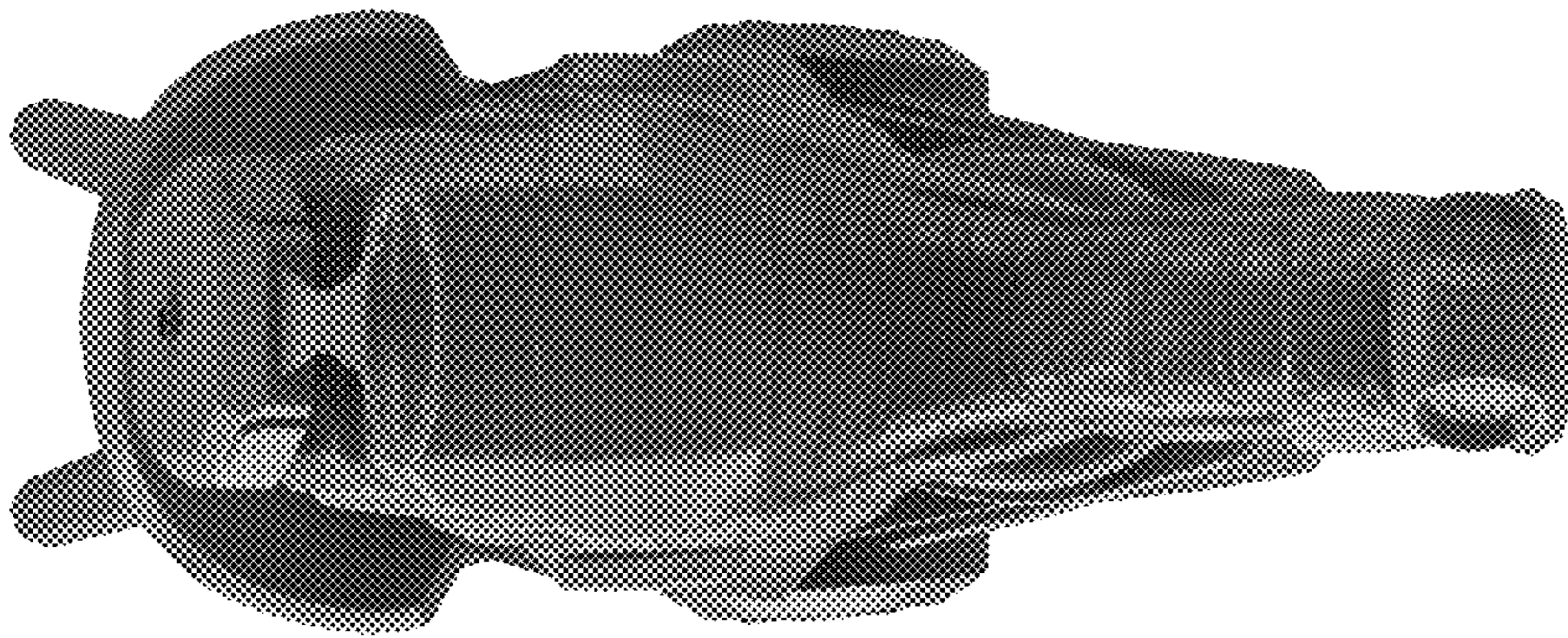


FIG. 4

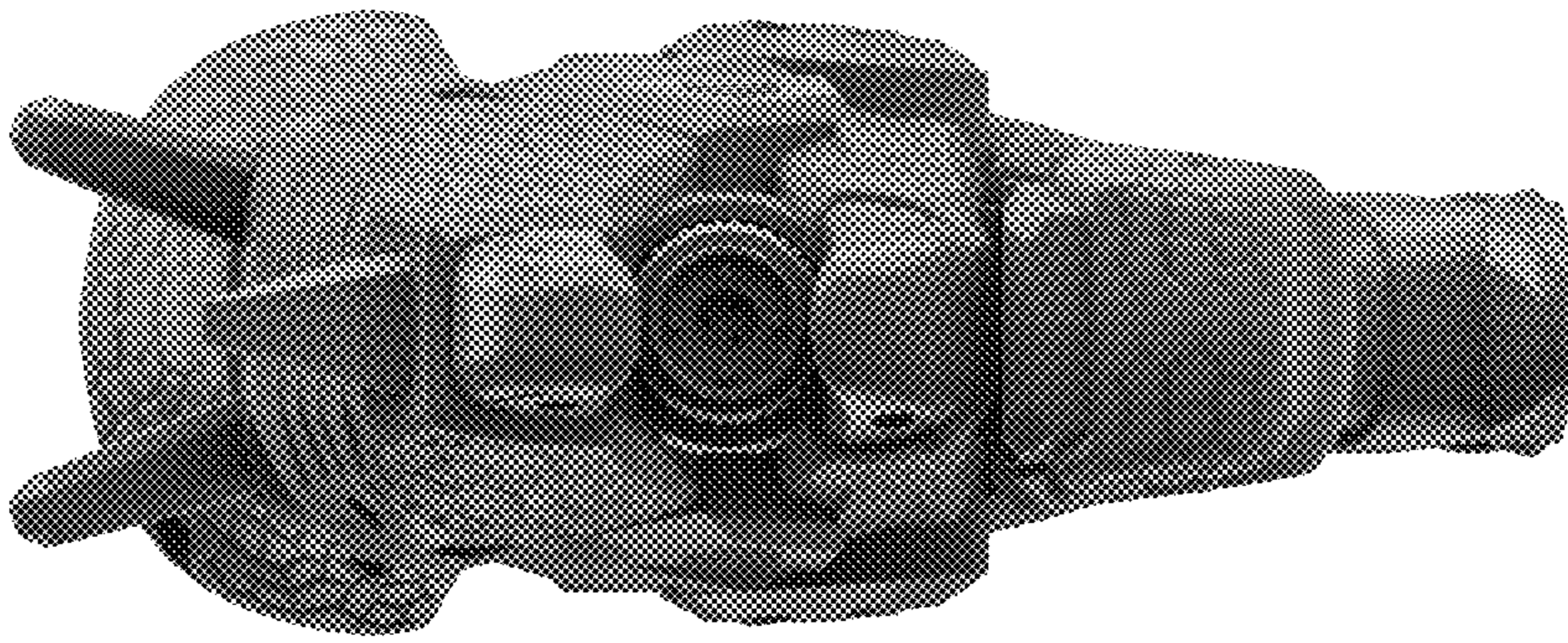


FIG. 5

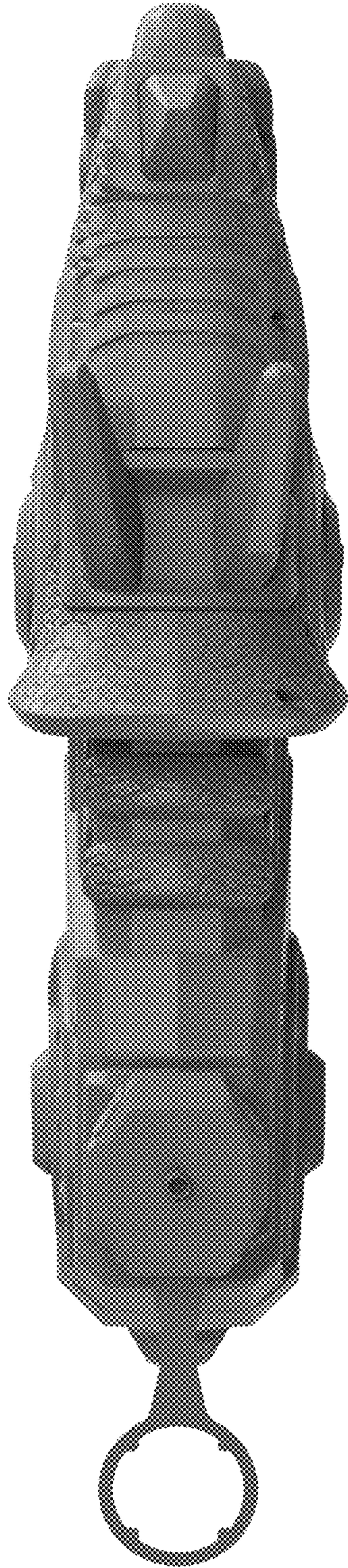


FIG. 6

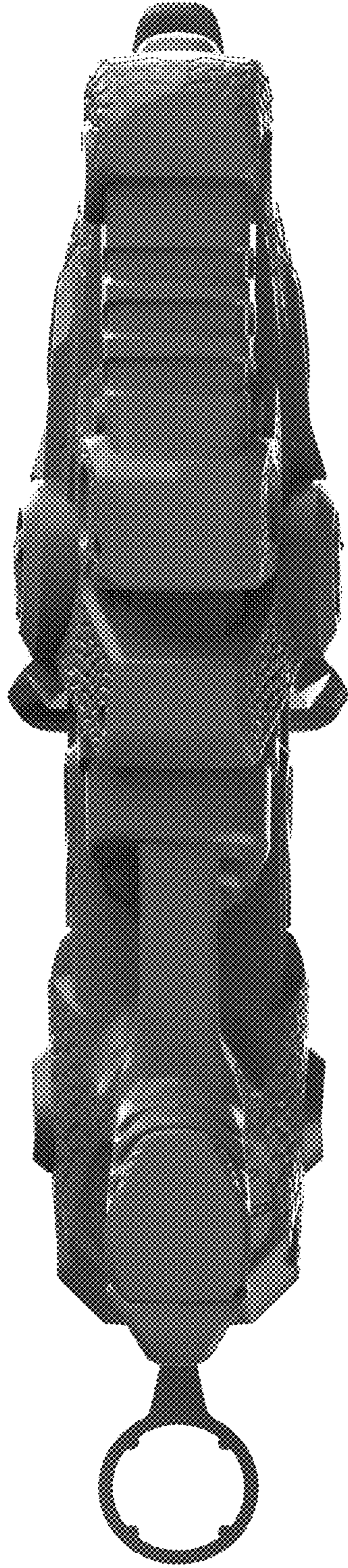


FIG. 7