

US00D969234S

(12) **United States Design Patent**  
**Li**

(10) **Patent No.:** **US D969,234 S**  
(45) **Date of Patent:** **\*\* Nov. 8, 2022**

(54) **TOY BOAT**

(71) Applicant: **Hengwei Li**, Shantou (CN)

(72) Inventor: **Hengwei Li**, Shantou (CN)

(\*\*) Term: **15 Years**

(21) Appl. No.: **29/780,462**

(22) Filed: **Apr. 24, 2021**

(51) **LOC (13) Cl.** ..... **21-01**

(52) **U.S. Cl.**

USPC ..... **D21/542**

(58) **Field of Classification Search**

USPC ..... D21/542, 545, 547; D12/308

CPC ..... A63H 23/00; A63H 23/02; A63H 23/04;

A63H 23/06; A63H 23/10; A63H 23/12;

B63G 8/001; B63G 2008/002

See application file for complete search history.

(56) **References Cited**

**U.S. PATENT DOCUMENTS**

D472,591 S *	4/2003	Zee	.....	D21/542
D540,889 S *	4/2007	Yuen	.....	D12/314
D541,883 S *	5/2007	Miyagawa	.....	D21/545
D544,045 S *	6/2007	Hamasaki	.....	D21/542
D645,100 S *	9/2011	Yuen	.....	D21/542
D830,943 S *	10/2018	Zheng	.....	D12/308
D846,659 S *	4/2019	Jin	.....	D21/549
D846,660 S *	4/2019	Lin	.....	D21/549
D846,661 S *	4/2019	Lin	.....	D21/549

D860,331 S \* 9/2019 Zheng ..... D12/308

10,556,653 B2 \* 2/2020 Lopez ..... A63H 23/04

D12/308

D923,548 S \* 6/2021 Chen ..... D12/308

**OTHER PUBLICATIONS**

Pro Boat Jet Jam, Amazon Release date Sep. 6, 2019 [online], [site visited Sep. 8, 2022]. Available from Internet: <URL: <https://www.amazon.com/dp/B0799B7CTN>> (Year: 2019).\*

\* cited by examiner

*Primary Examiner* — Cynthia M. Chin

(57) **CLAIM**

The ornamental design for a toy boat, as shown and described.

**DESCRIPTION**

FIG. 1 is a perspective view of a toy boat showing my new design;

FIG. 2 is another perspective view thereof;

FIG. 3 is a front elevational view thereof;

FIG. 4 is a rear elevational view thereof;

FIG. 5 is a left side elevational view thereof;

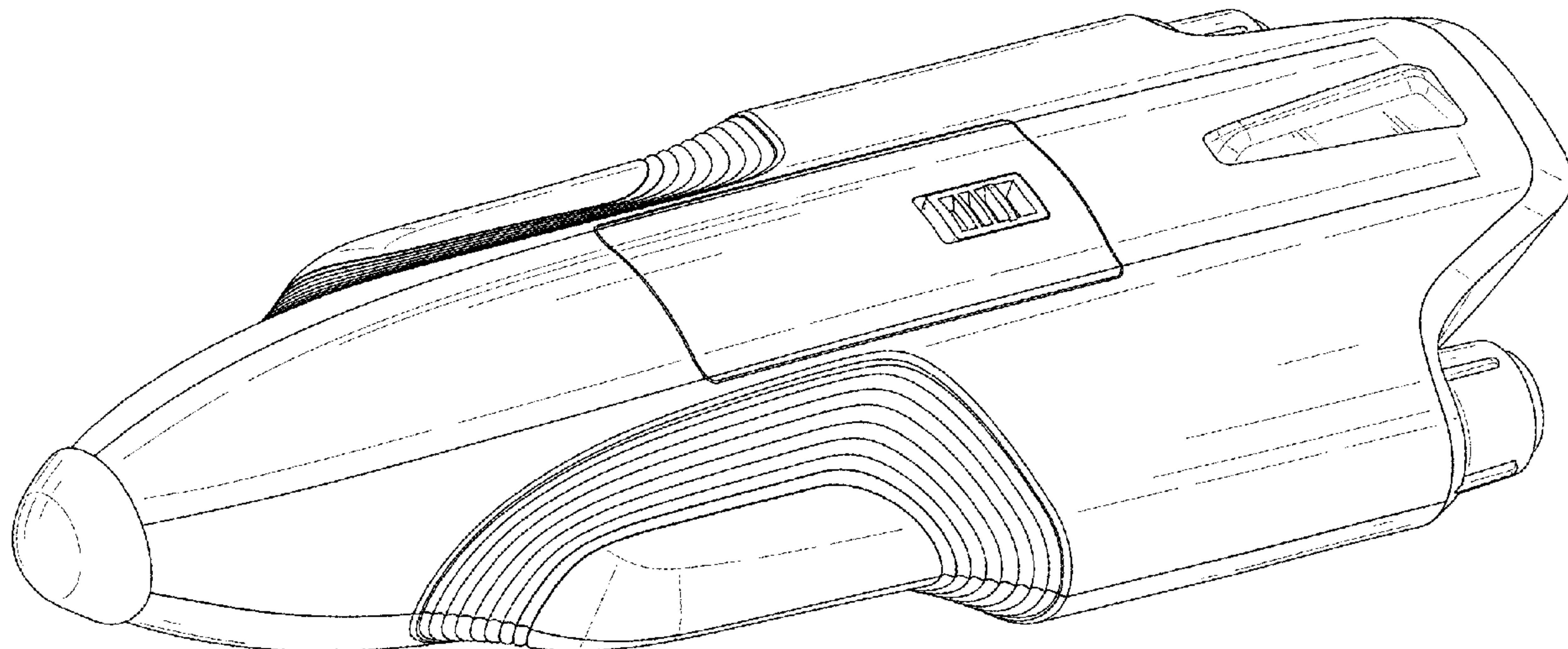
FIG. 6 is a right side elevational view thereof;

FIG. 7 is a top plan view thereof; and,

FIG. 8 is a bottom plan view thereof.

The broken lines in the drawings depict portions of the toy boat that form no part of the claimed design.

**1 Claim, 8 Drawing Sheets**



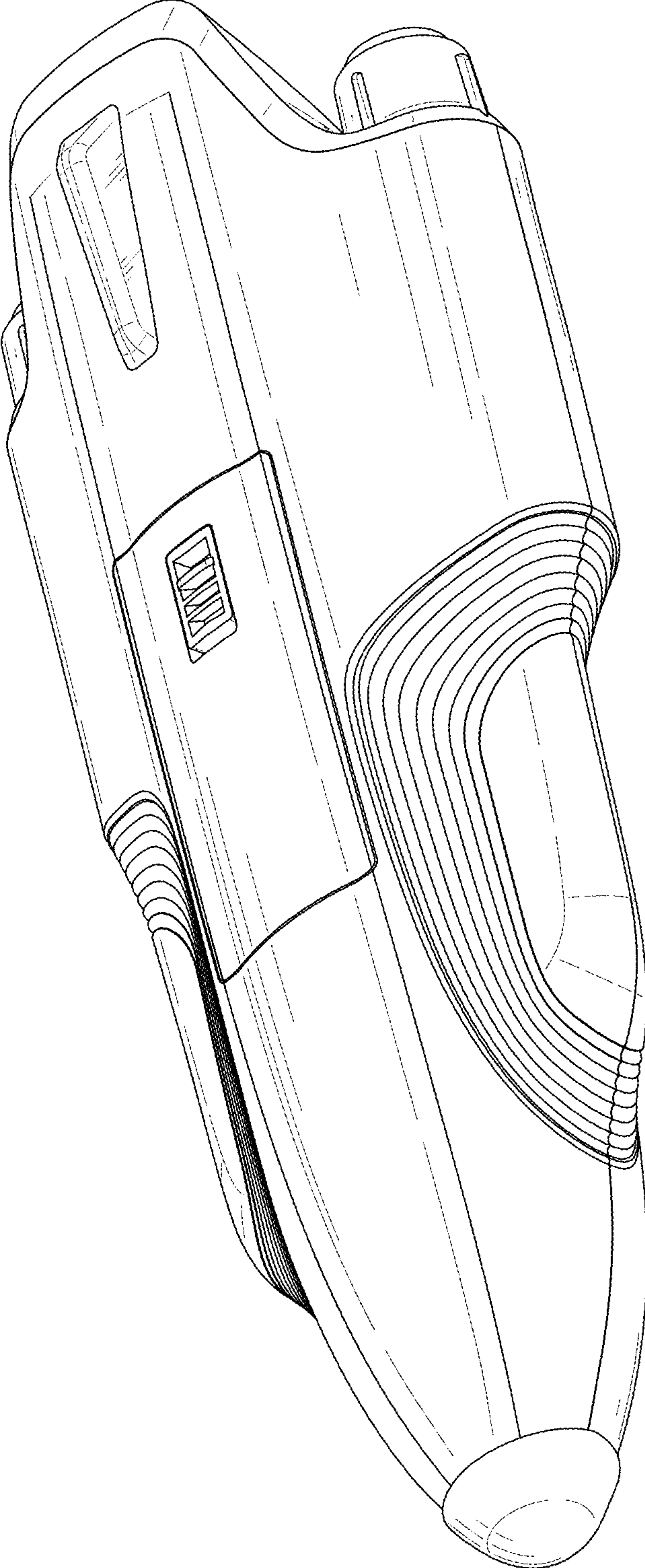


FIG. 1

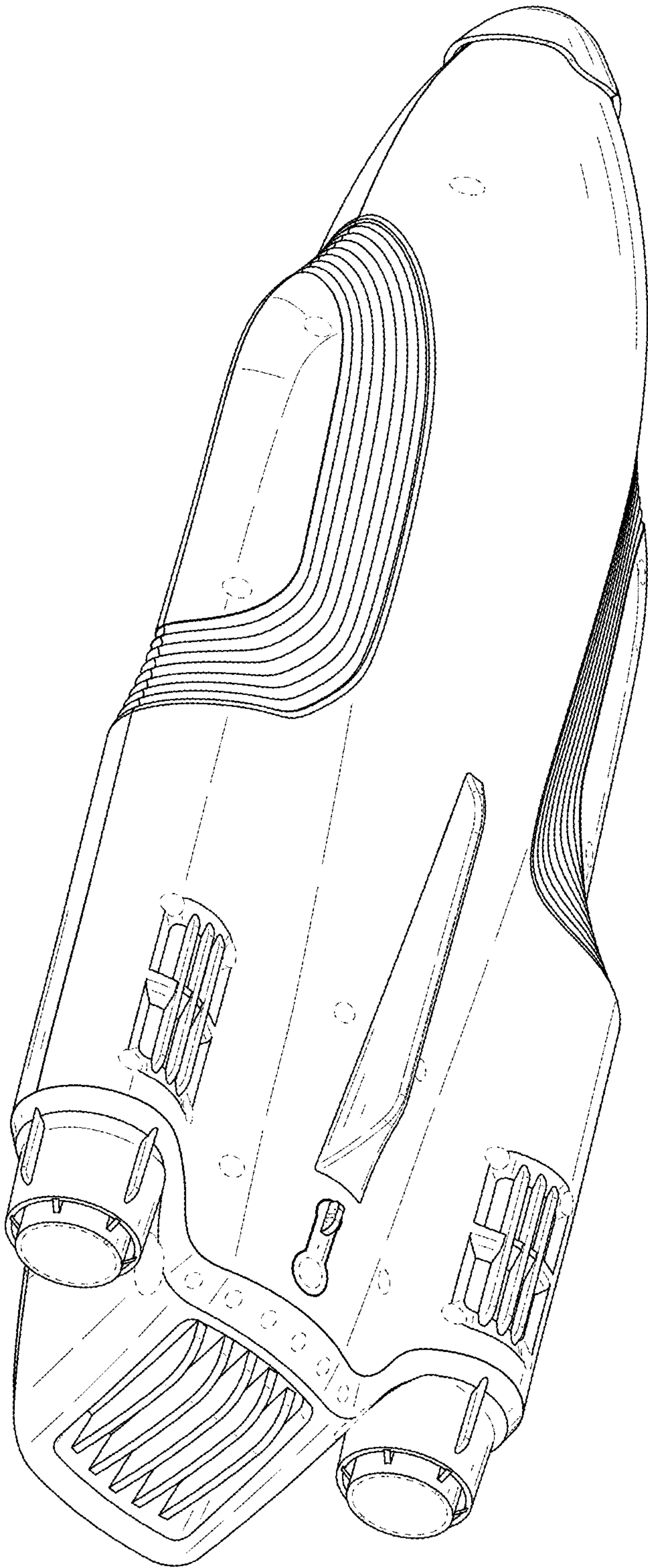


FIG. 2

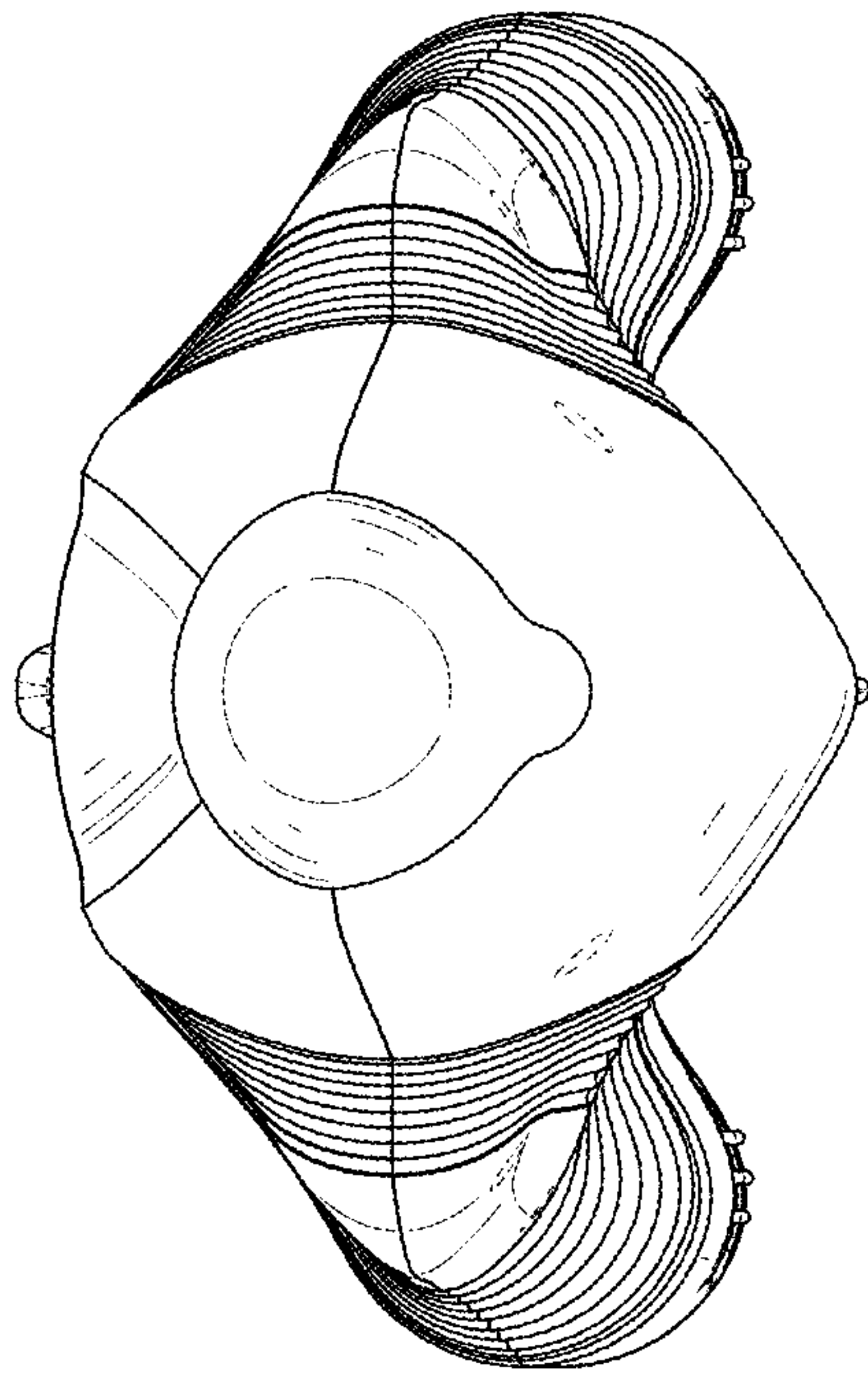


FIG. 3



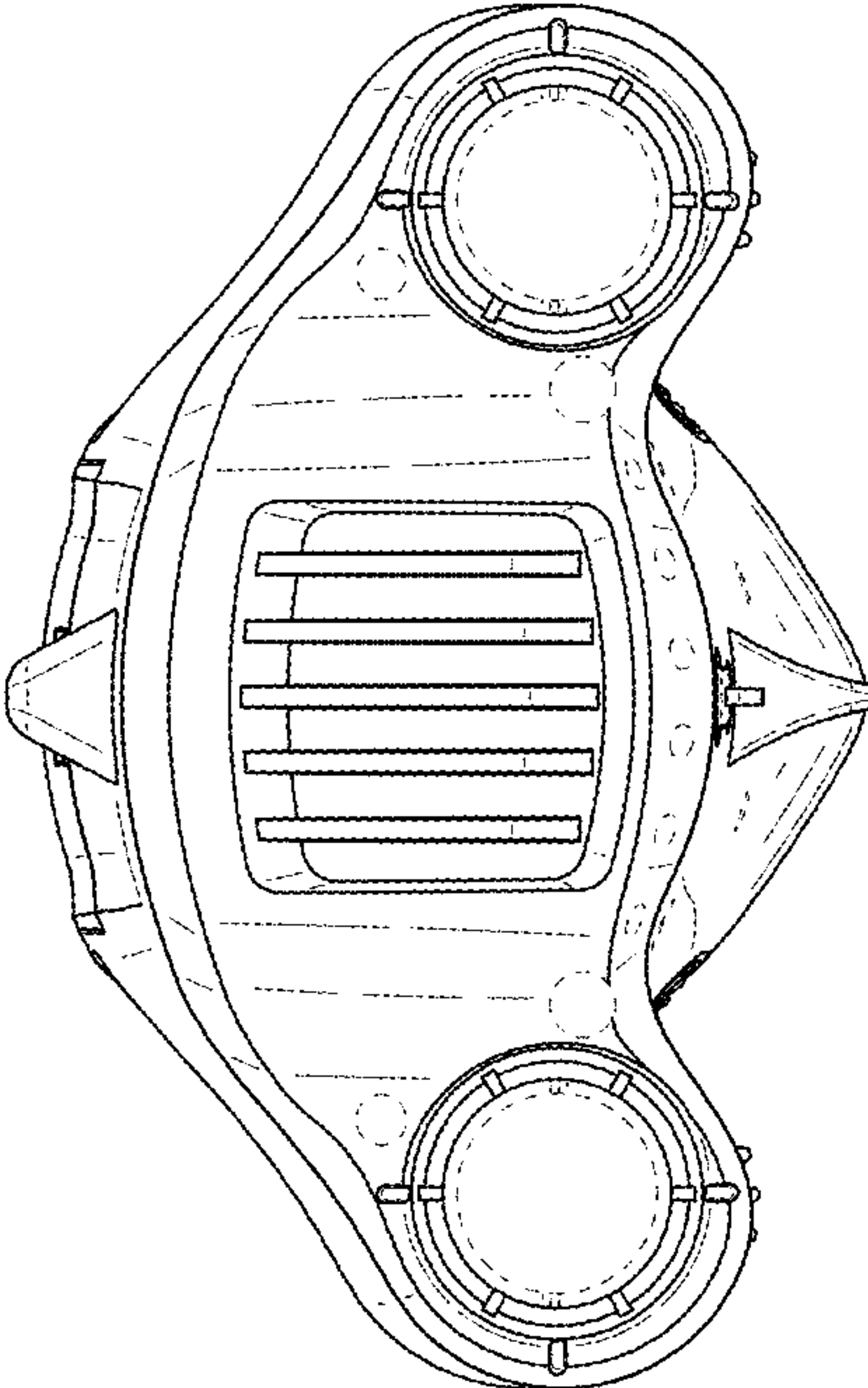


FIG. 4

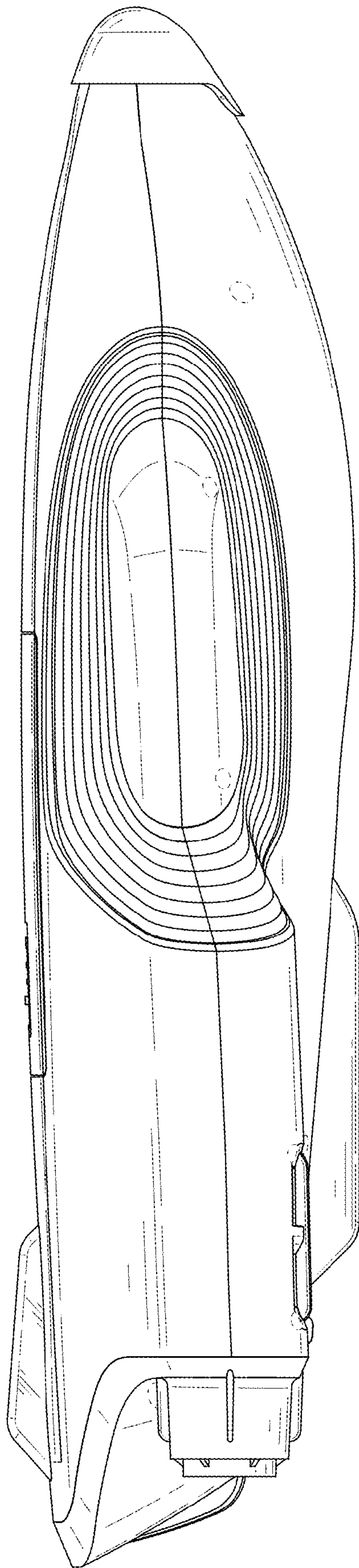


FIG. 5

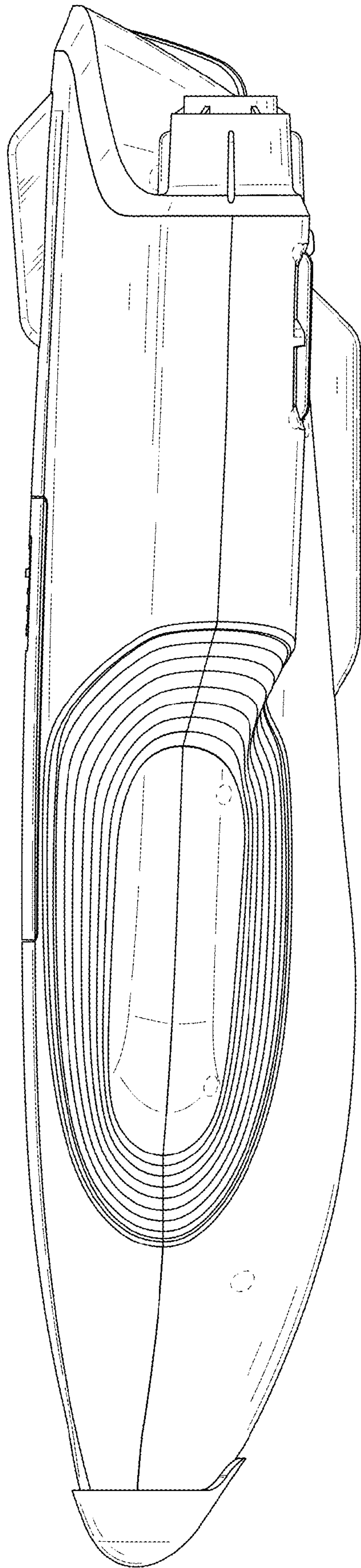


FIG. 6

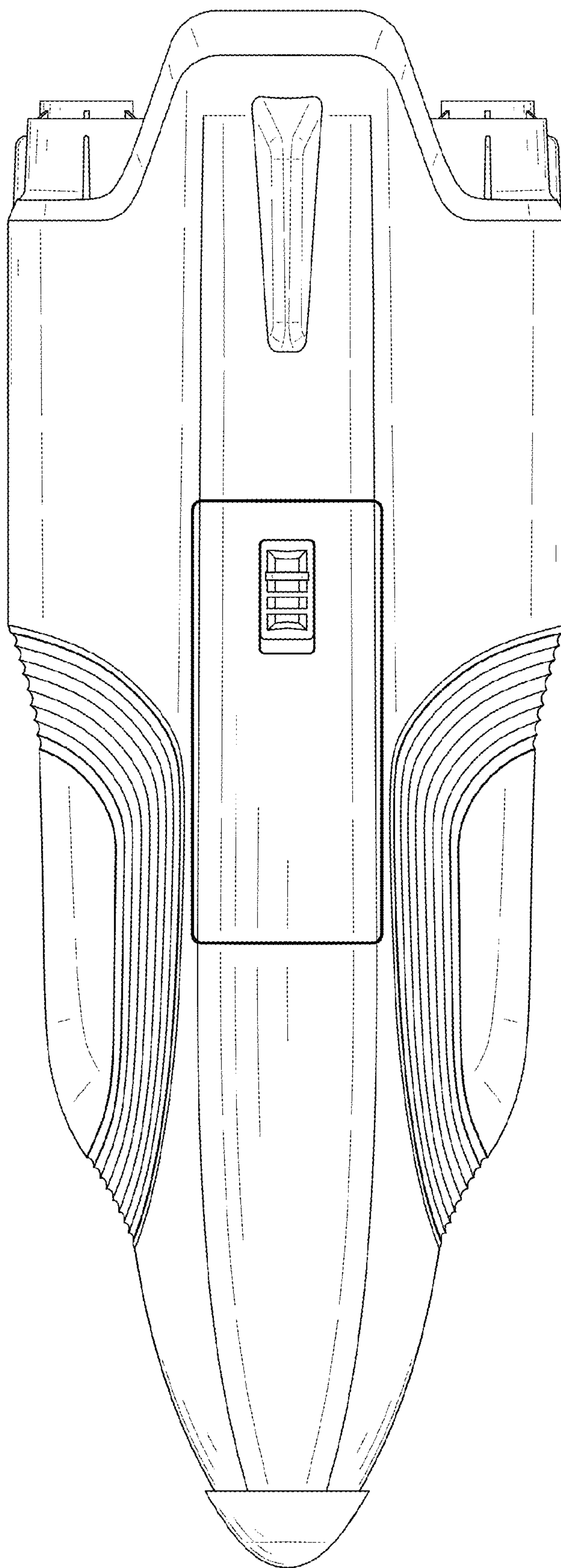


FIG. 7



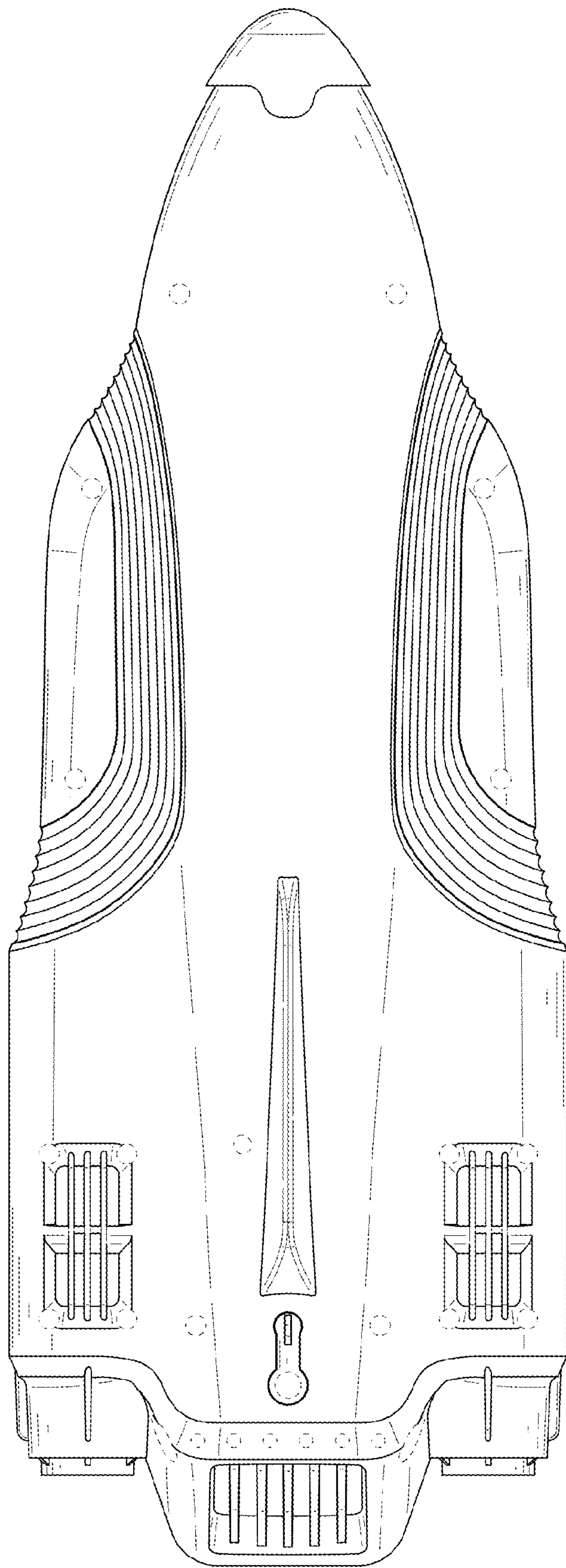


FIG. 8