



US00D969232S

(12) **United States Design Patent**
Park et al.

(10) **Patent No.:** **US D969,232 S**

(45) **Date of Patent:** **** Nov. 8, 2022**

(54) **BLOCK TOY**
(71) Applicant: **GYMWORLD INC.**, Seoul (KR)
(72) Inventors: **Kee Young Park**, Seoul (KR); **Chang Moon Lee**, Gwangmyeong-si (KR); **So Lee Kang**, Seoul (KR); **Jo Un Yi**, Seoul (KR); **Yeong Du Jeon**, Gimpo-si (KR)

6,162,108 A * 12/2000 Frederiksen A63H 33/086
446/128
D437,423 S * 2/2001 Lin D21/502
D588,208 S * 3/2009 Sinisi D21/502
D759,765 S * 6/2016 Hardstaff D21/489
D808,471 S * 1/2018 Gutierrez D21/488
D825,678 S * 8/2018 Sisamos D21/502
D926,075 S * 7/2021 Deng D21/468
D946,089 S * 3/2022 Park D21/502
2017/0120157 A1 * 5/2017 Ochi A47B 47/047

* cited by examiner

(73) Assignee: **GYMWORLD INC.**, Seoul (KR)

(**) Term: **15 Years**

Primary Examiner — Cynthia M. Chin

(74) *Attorney, Agent, or Firm* — Studebaker & Brackett PC

(21) Appl. No.: **29/746,102**

(22) Filed: **Aug. 11, 2020**

(57) **CLAIM**

The ornamental design for a block toy, as shown and described.

(30) **Foreign Application Priority Data**

Jul. 16, 2020 (KR) 30-2020-0032941

DESCRIPTION

(51) **LOC (13) Cl.** **21-01**

(52) **U.S. Cl.**
USPC **D21/491**; D21/503

(58) **Field of Classification Search**

USPC D21/468, 478, 479, 484–505

CPC A63H 33/04; A63H 33/044; A63H 33/06;

A63H 33/062; A63H 33/086; A63H

33/088; A63H 33/10; A63H 33/101;

A63H 33/108; A63H 33/12

See application file for complete search history.

FIG. 1 is a perspective view illustrating the overall shape of a block toy, showing our new design;

FIG. 2 is a bottom perspective view of the overall shape of the subject design;

FIG. 3 illustrates a front part of the design;

FIG. 4 illustrates a rear part of the design;

FIG. 5 illustrates a left part of the design;

FIG. 6 illustrates a right part of the design;

FIG. 7 illustrates a top part of the design;

FIG. 8 illustrates a bottom part of the design;

FIG. 9 illustrates a state in which the subject design is combined with a spherical block; and,

FIG. 10 illustrates a state in which the subject design is separated from a spherical block.

The broken lines in FIGS. 9 and 10 represent portions of environmental structures in which the design is embodied, that form no part of the claimed design.

(56) **References Cited**

U.S. PATENT DOCUMENTS

D256,259 S * 8/1980 Nakao D21/468

4,708,345 A * 11/1987 Ayers A63F 9/0869

273/153 S

D315,751 S * 3/1991 Ayers D21/478

D377,061 S * 12/1996 Gabriel D21/498

1 Claim, 8 Drawing Sheets

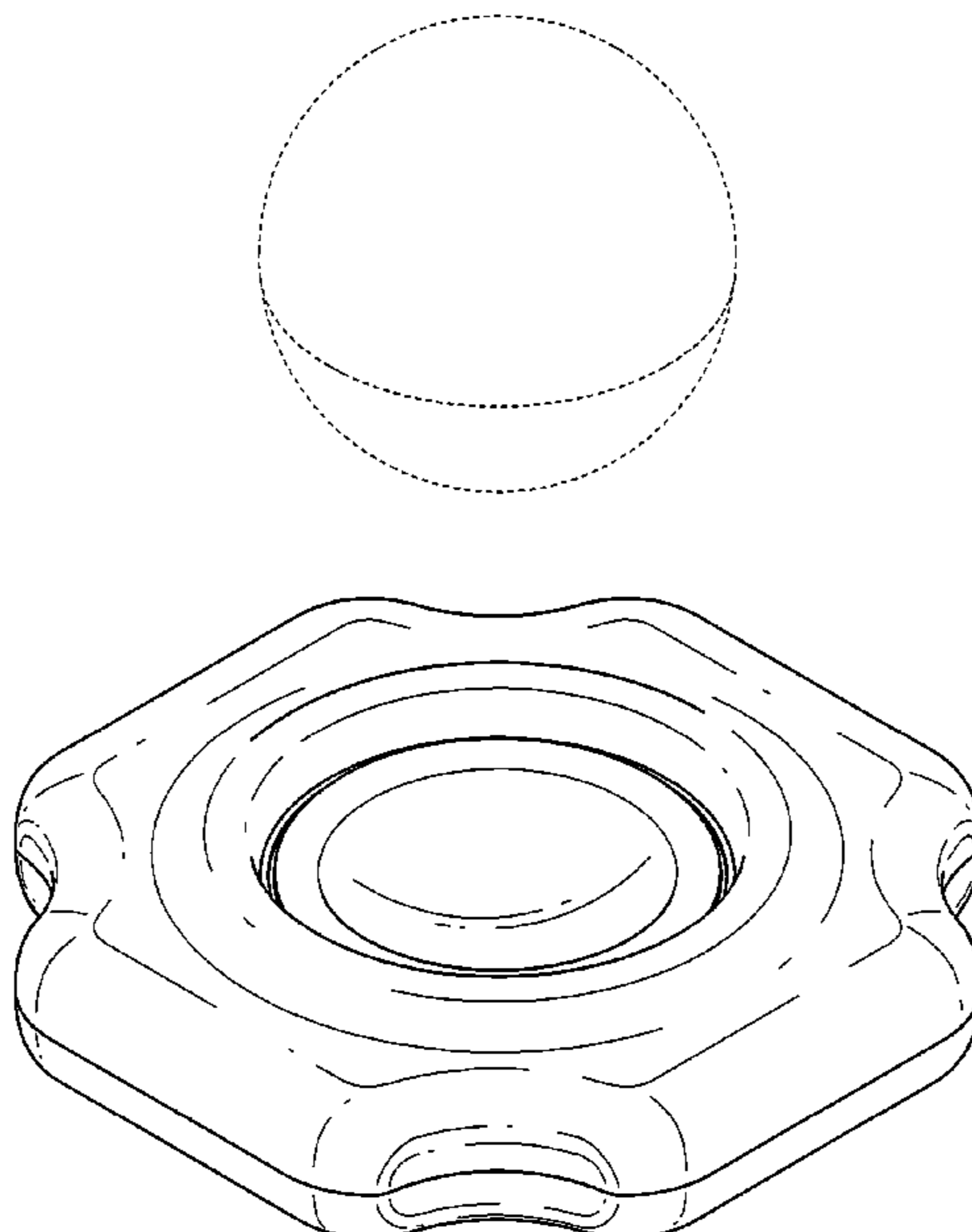


FIG. 1

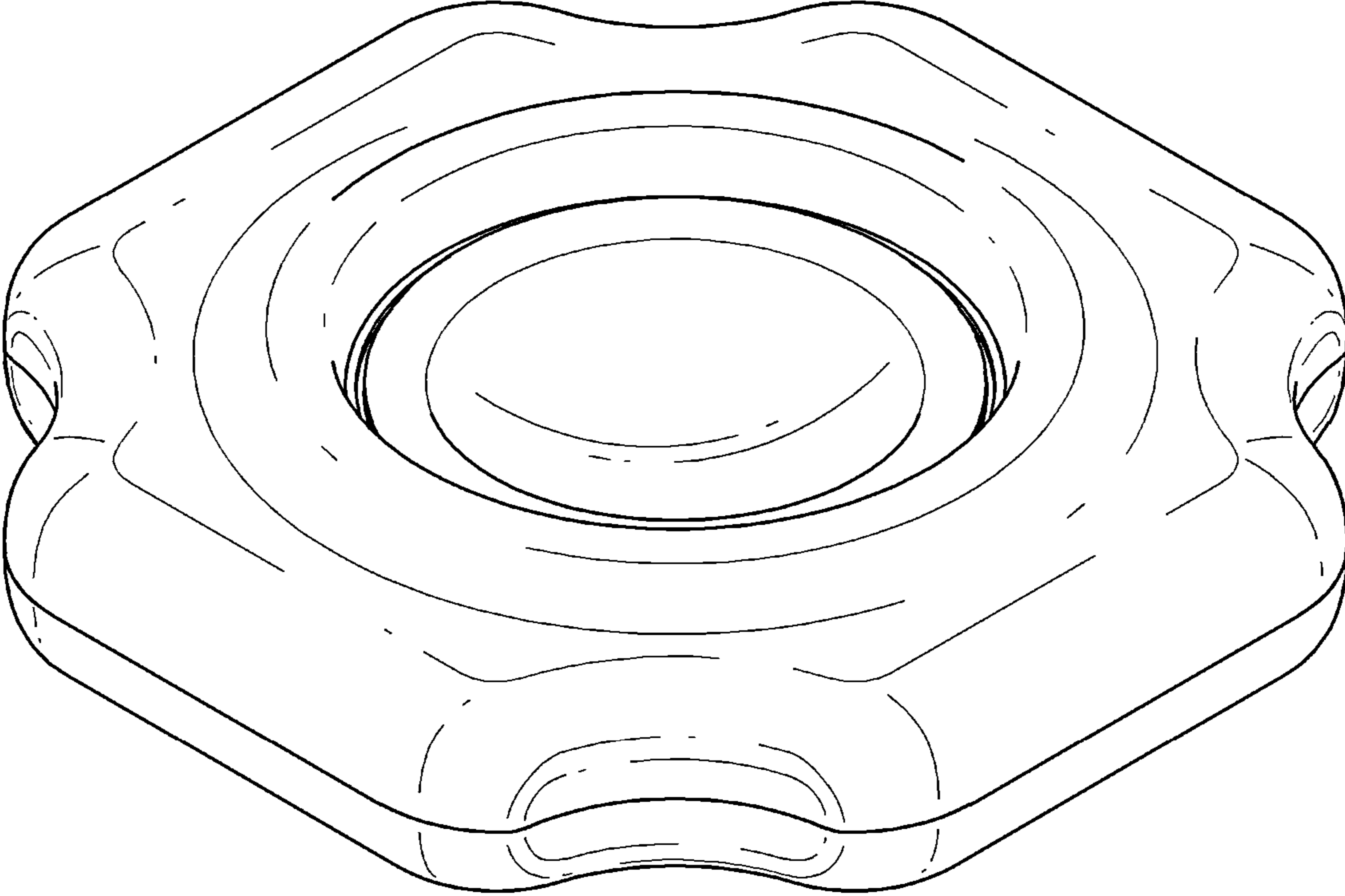


FIG. 2

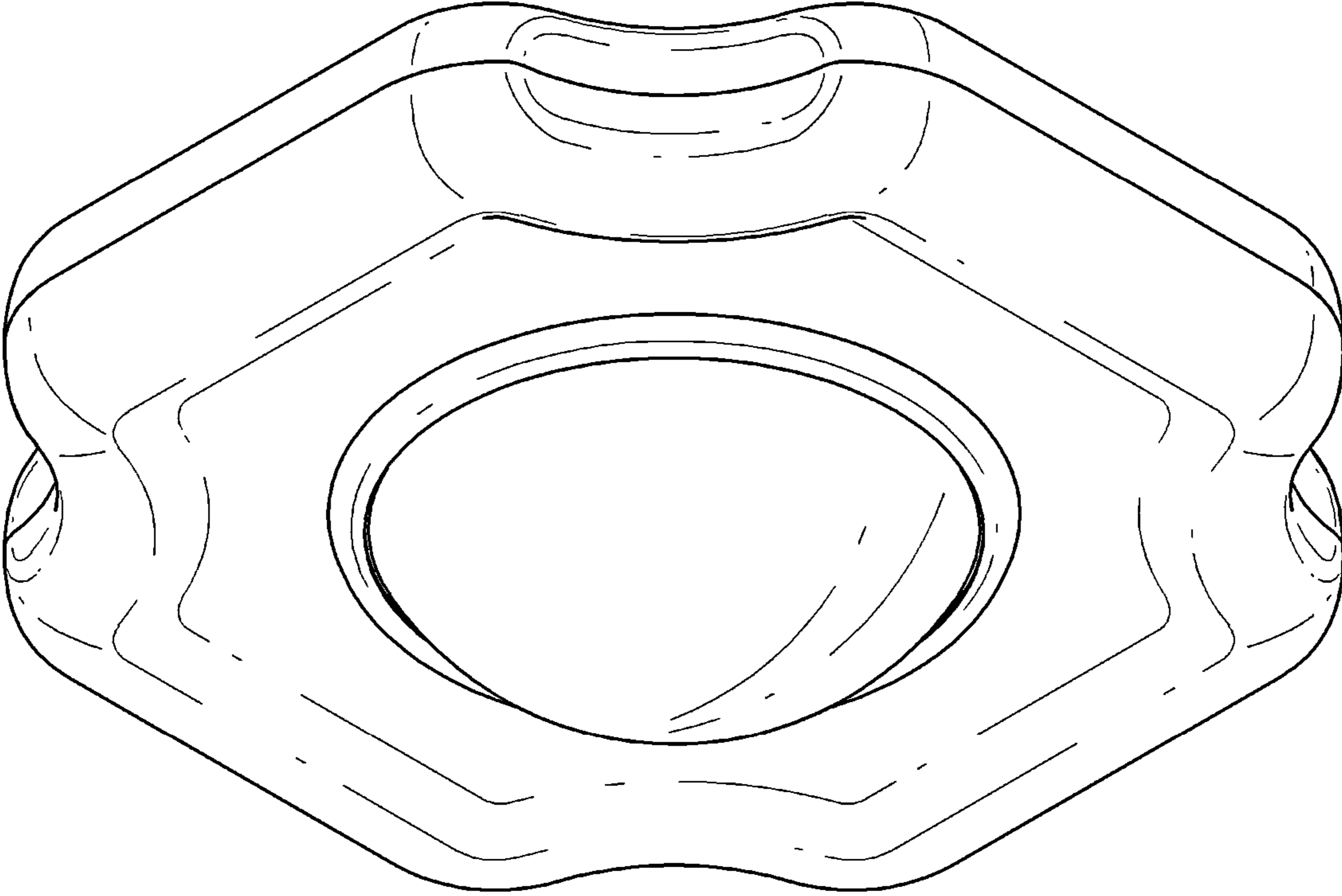


FIG. 3

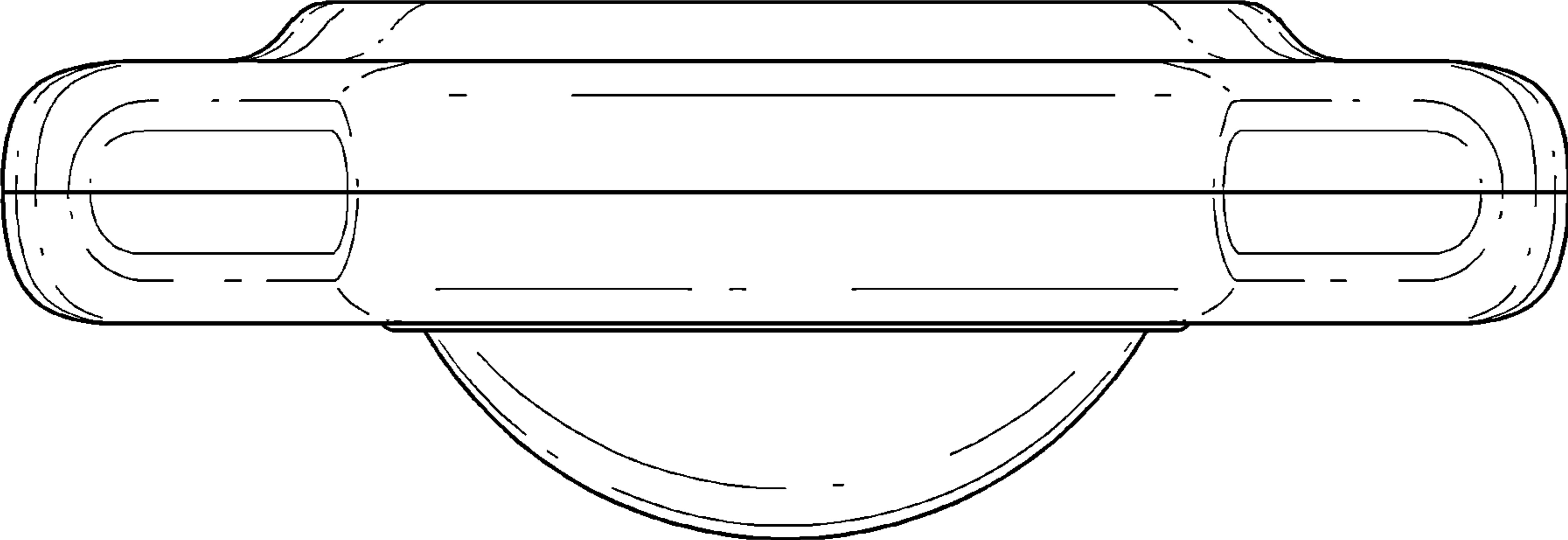


FIG. 4

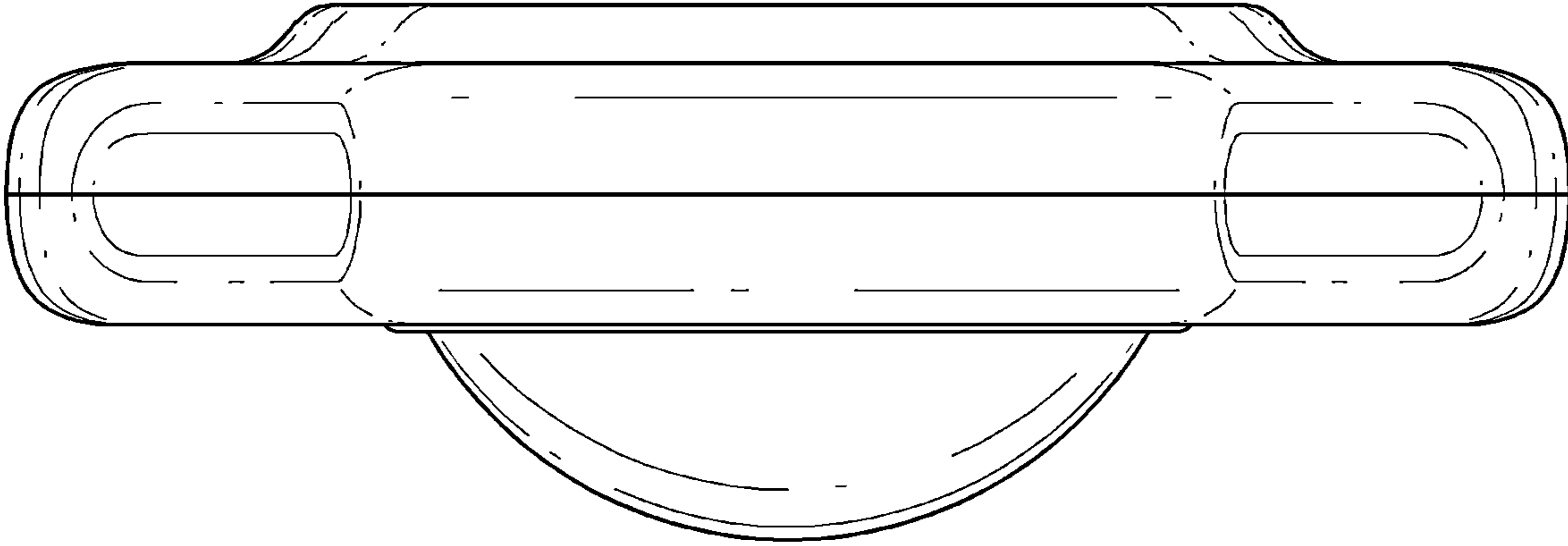


FIG. 5

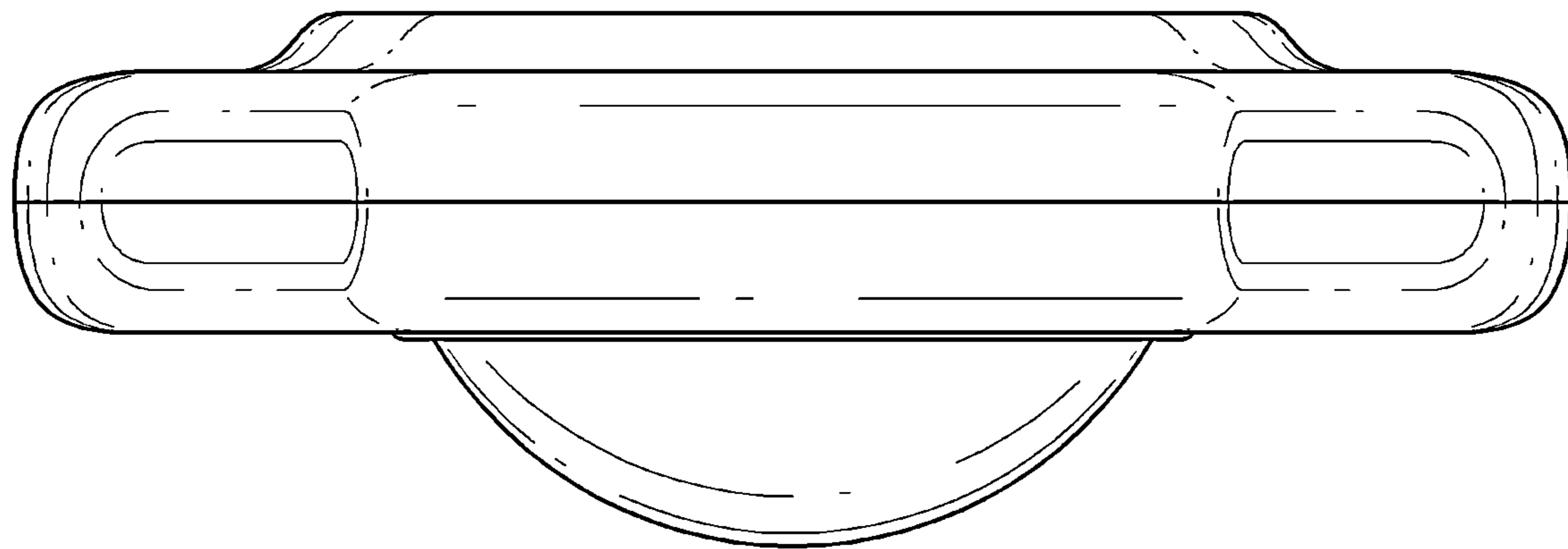


FIG. 6

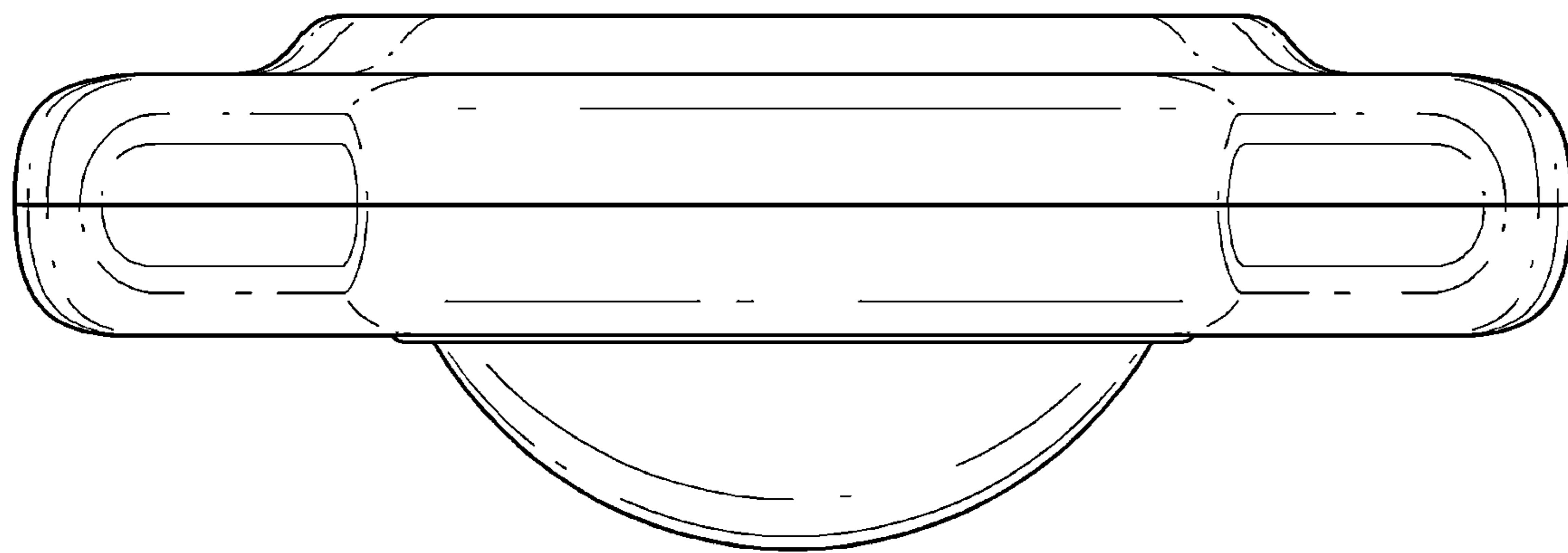


FIG. 7

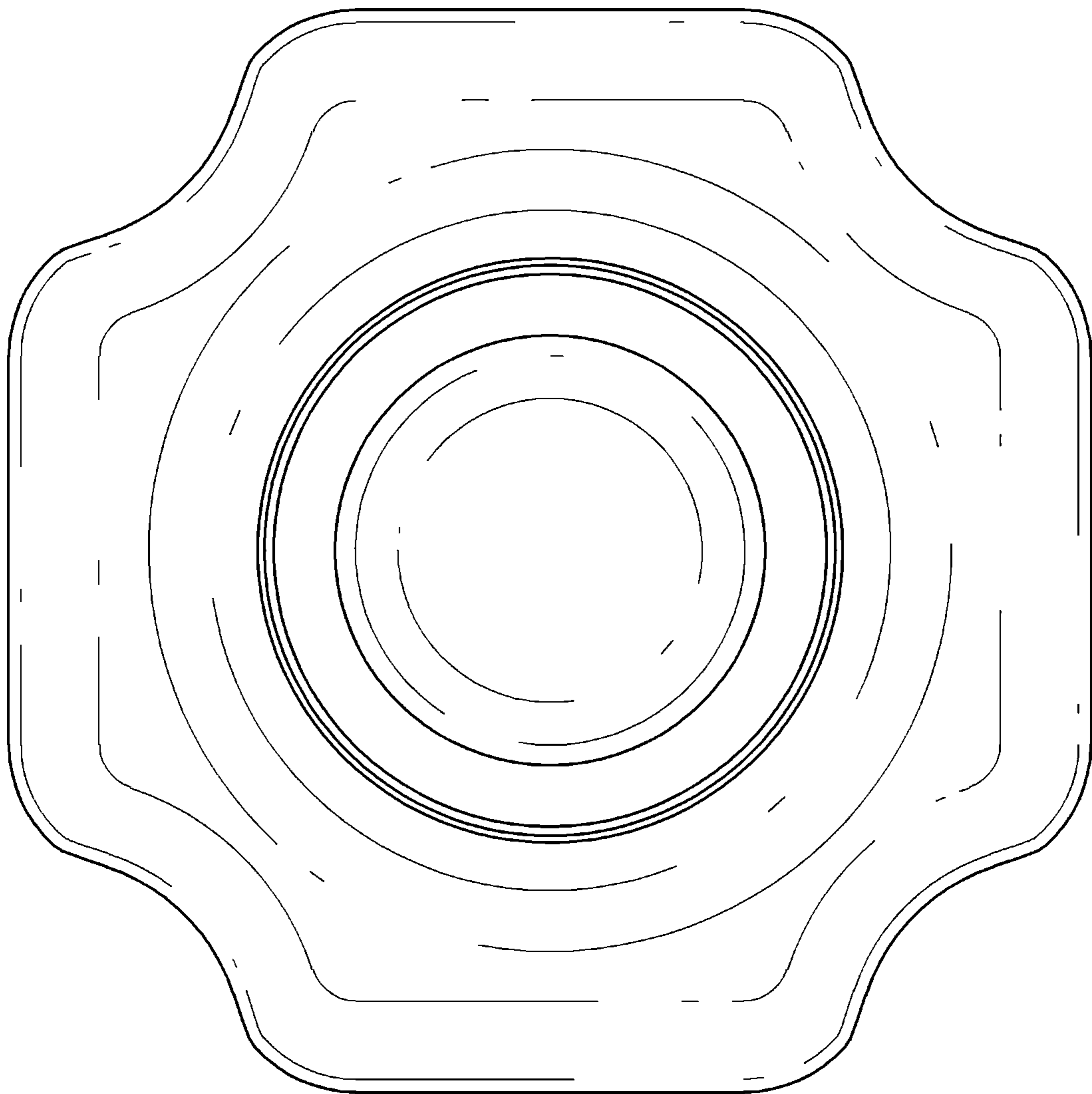


FIG. 8

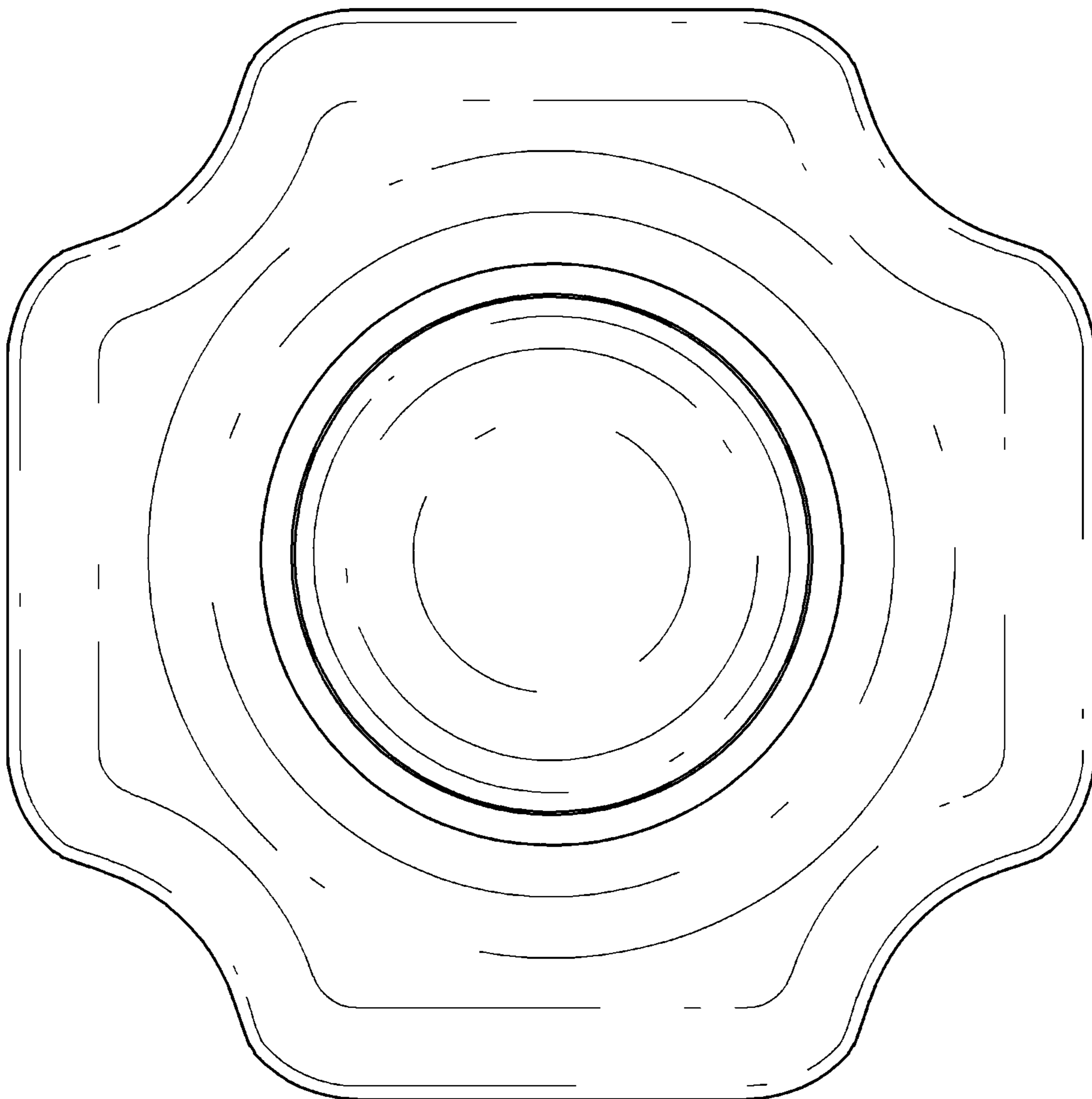


FIG. 9

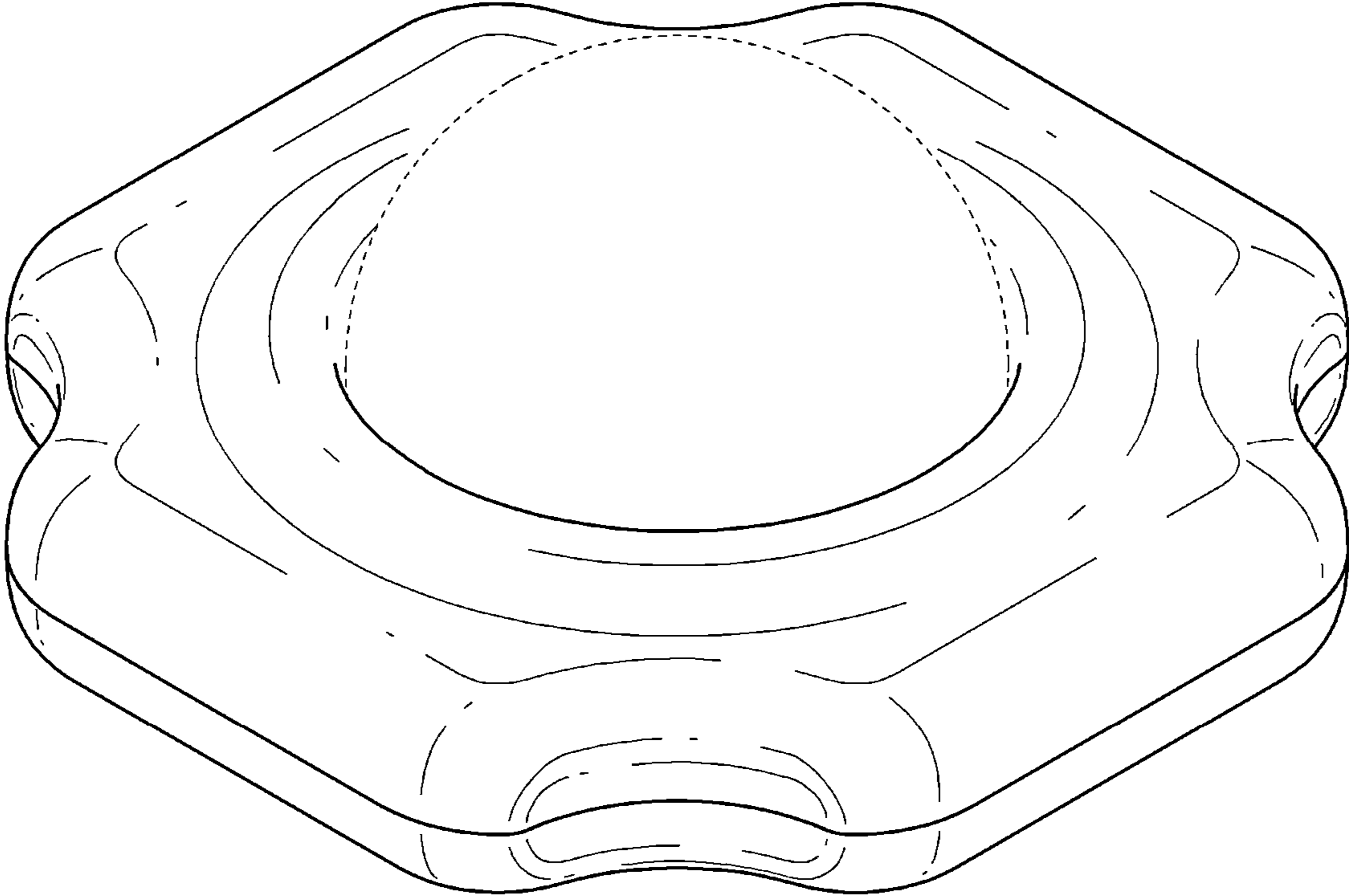


FIG. 10

