



US00D969231S

(12) **United States Design Patent**
Morris

(10) **Patent No.:** **US D969,231 S**
(45) **Date of Patent:** **** *Nov. 8, 2022**

(54) **PUZZLE BOX**

DESCRIPTION

- (71) Applicant: **David Morris**, Chicago, IL (US)
- (72) Inventor: **David Morris**, Chicago, IL (US)
- (*) Notice: This patent is subject to a terminal disclaimer.
- (**) Term: **15 Years**
- (21) Appl. No.: **29/633,649**
- (22) Filed: **Jan. 15, 2018**
- (51) **LOC (13) Cl.** **21-01**
- (52) **U.S. Cl.**
USPC **D21/479**
- (58) **Field of Classification Search**
USPC D21/336-338, 340, 341, 366-367, 471,
D21/478-480, 484-505; D9/721, 731,
(Continued)

(56) **References Cited**

U.S. PATENT DOCUMENTS

- 437,932 A * 10/1890 McGrath A63F 9/0826
273/153 S
- 466,121 A * 12/1891 Paige A63F 7/044
273/115

(Continued)

FOREIGN PATENT DOCUMENTS

- DE 3104021 A1 * 12/1982 A63F 9/083
- DE 29702352 U1 * 4/1997 A63F 7/042

(Continued)

Primary Examiner — Catherine A Tuttle
(74) *Attorney, Agent, or Firm* — Pharar Patents &
Intellectual Property; Andrew A. Pharar

(57) **CLAIM**

The ornamental design for the puzzle box, as shown and described.

FIG. 1 is an exploded perspective view showing my new design for a puzzle box including, from top to bottom: a lid component, a plate component, a cup component and a base component;

FIG. 2 is a perspective view showing the lid component in an exploded state with the three underlying components in an assembled state;

FIG. 3 is a top plan view of the assembled components in FIG. 2;

FIG. 4 is aside elevational view of the assembled components in FIG. 3, the adjacent and opposing sides being identical thereto;

FIG. 5 is a top plan view of the cup and base components as assembled;

FIG. 6 is aside elevational view of the cup and base components in FIG. 5;

FIG. 7 is a top plan view of the cup and base components as in FIG. 5, but with the cup element in shifted to an alternate position;

FIG. 8 is atop plan view of the cup and base components as in FIG. 5, but with the broken line ball elements omitted within the peripheral recesses of the base component;

FIG. 9 is a top perspective view of the base component;

FIG. 10 is a top plan view of the base component in FIG. 9;

FIG. 11 is a bottom plan view of the base component in FIG. 9;

FIG. 12 is a side elevation view of the base component in FIG. 9, the adjacent and opposing sides being identical thereto;

FIG. 13 is a bottom perspective view of the lid component;

FIG. 14 is a top perspective view of the lid component in FIG. 13;

FIG. 15 is a bottom plan view of the lid component in FIG. 13;

FIG. 16 is a side elevation view of the lid component in FIG. 13;

FIG. 17 is a top perspective view of the plate component;

FIG. 18 is a side elevation view of the plate component in FIG. 17;

FIG. 19 is a bottom perspective view of the plate component in FIG. 17;

(Continued)

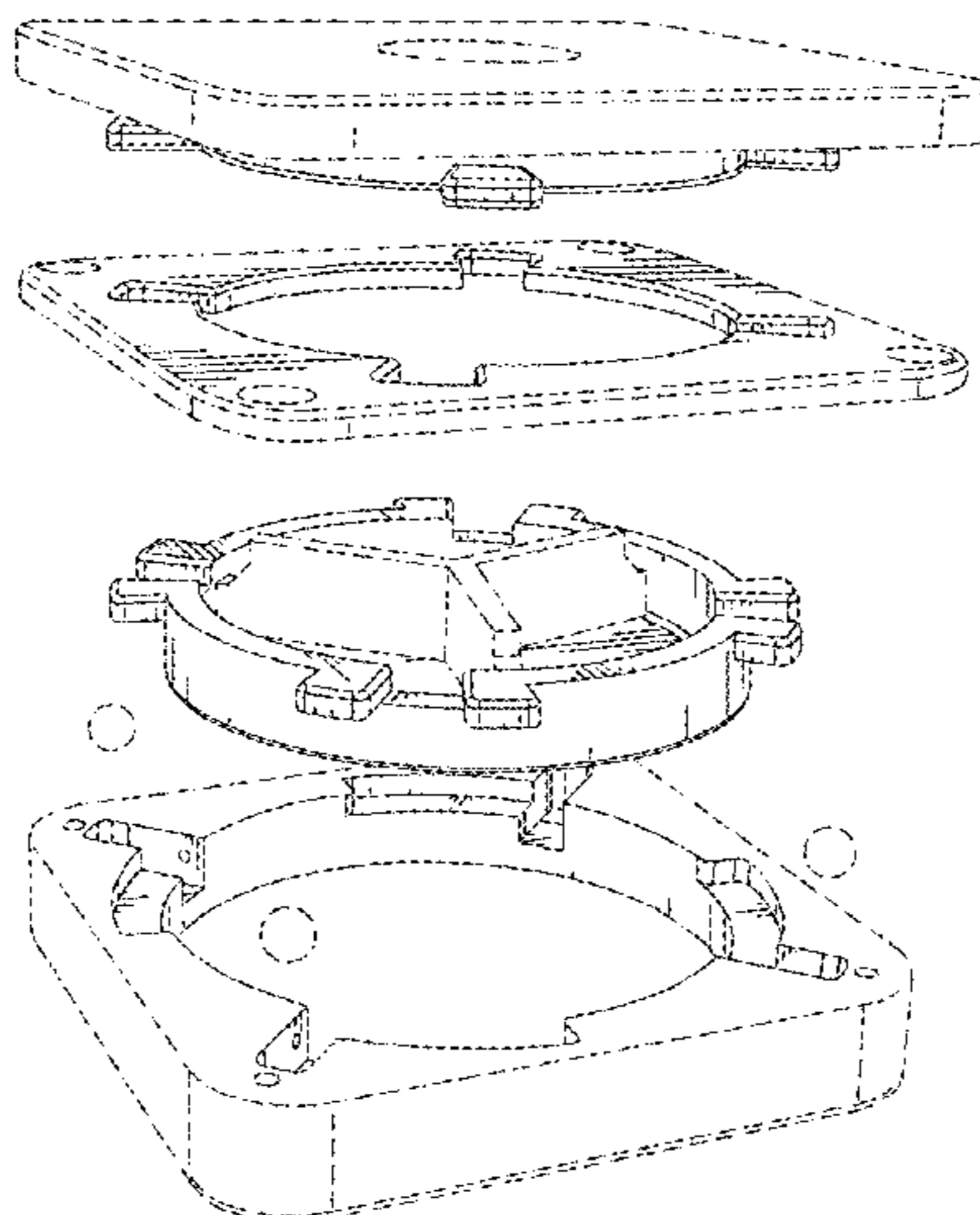


FIG. 20 is a top plan view of the plate component in FIG. 17; FIG. 21 is a bottom plan view of the plate component in FIG. 17; FIG. 22 is a top perspective view of the cup component; FIG. 23 is a side elevation view of the cup component in FIG. 22, the adjacent and opposing sides being identical thereto; FIG. 24 is a bottom perspective view of the cup component in FIG. 22; FIG. 25 is a top plan view of the cup component in FIG. 22; FIG. 26 is a bottom plan view of the cup component in FIG. 22; FIG. 27 is a top perspective view of the assembled puzzle box; FIG. 28 is a top plan view of the assembled puzzle box in FIG. 27; FIG. 29 is a side elevation view of FIG. 27, the adjacent and opposing sides being identical thereto; FIG. 30 is another top plan view of the base components as in FIG. 10 but with the addition of section lines 31-31 and 32-32; FIG. 31 is a cross sectional view along line 31-31 of FIG. 30; FIG. 32 is a cross sectional view along line 32-32 of FIG. 30; FIG. 33 is another top plan view of the base component as in FIG. 28 but with the addition of section line 34-34; and, FIG. 34 is a cross sectional view along line 34-34 of FIG. 33. The broken lines in FIGS. 1-34 illustrate portions of the puzzle box that form no part of the claimed design. The diagonal line hatching in FIGS. 31, 32 and 34 indicates the disclaimed portions in section and not the material being sectioned.

1 Claim, 17 Drawing Sheets

(58) **Field of Classification Search**

USPC D9/733, 737, 414, 432, 456; D3/203.3, D3/207, 208, 274; D99/28, 34, 99; 446/69, 117, 124, 127, 489; 273/153 R, 273/156, 160, 153 S, 109, 110, 113, 273/115-117, 155
CPC A63F 9/0073; A63F 9/0811; A63F 9/12; A63F 9/1208; A63F 9/0861; A63F 9/083; A63F 9/0823; A63F 9/0078; A63F 2009/0075; A63F 2009/0815; A63F 2009/0884; A63F 2009/0888; A63F 2009/1083; A63F 2009/1224; A63F 2009/1228; A63F 2009/1232; A63F 2009/1236; A63F 2009/1292; A63F

2250/24; A63F 2003/0277; A63F 5/043; A63F 5/0088; A63F 5/02; A63F 7/04; A63F 7/042; A63F 7/044

See application file for complete search history.

(56)

References Cited

U.S. PATENT DOCUMENTS

D28,316	S	*	2/1898	Berryman	D21/340
606,030	A	*	6/1898	Rowell	A63F 7/044 273/113
679,782	A	*	8/1901	Reenstierna	A63F 7/044 273/113
1,115,856	A	*	11/1914	Minns	A63F 7/044 273/115
1,156,006	A	*	10/1915	Hill	A63F 7/044 273/112
1,410,295	A	*	3/1922	Hammond	A63F 7/044 273/115
1,581,772	A	*	4/1926	Williams	A63F 7/044 273/115
2,215,696	A	*	9/1940	Graves, Jr.	A63F 3/00088 273/249
2,441,074	A	*	5/1948	Kirkpatrick	A63F 5/048 273/142 R
2,610,853	A	*	9/1952	Livingston	A63F 5/02 273/121 R
2,610,856	A	*	9/1952	Welty	A63F 9/12 273/160
2,839,303	A	*	6/1958	Baker	A63F 5/02 273/248
3,462,149	A	*	8/1969	Gerald	A63F 7/044 273/113
3,843,131	A	*	10/1974	Stubbmann	A63F 3/00006 273/248
4,163,556	A	*	8/1979	Bertin	A63F 5/043 273/142 HA
4,487,417	A	*	12/1984	Engel	A63F 9/083 273/115
4,754,972	A	*	7/1988	Boskovic	A63F 7/042 273/113
4,826,171	A	*	5/1989	Morse	A63F 9/12 273/160
4,974,848	A	*	12/1990	Giesecker	A63F 9/0078 273/153 R
D599,416	S	*	9/2009	Turco-Rivas	D21/471
D701,577	S	*	3/2014	Harvey	D21/478
2010/0213669	A1	*	8/2010	Kim	A63F 9/083 273/153 S

FOREIGN PATENT DOCUMENTS

FR	1332361	A	*	7/1963	A63F 5/02
GB	2029242	A	*	3/1980	A63F 7/042

* cited by examiner

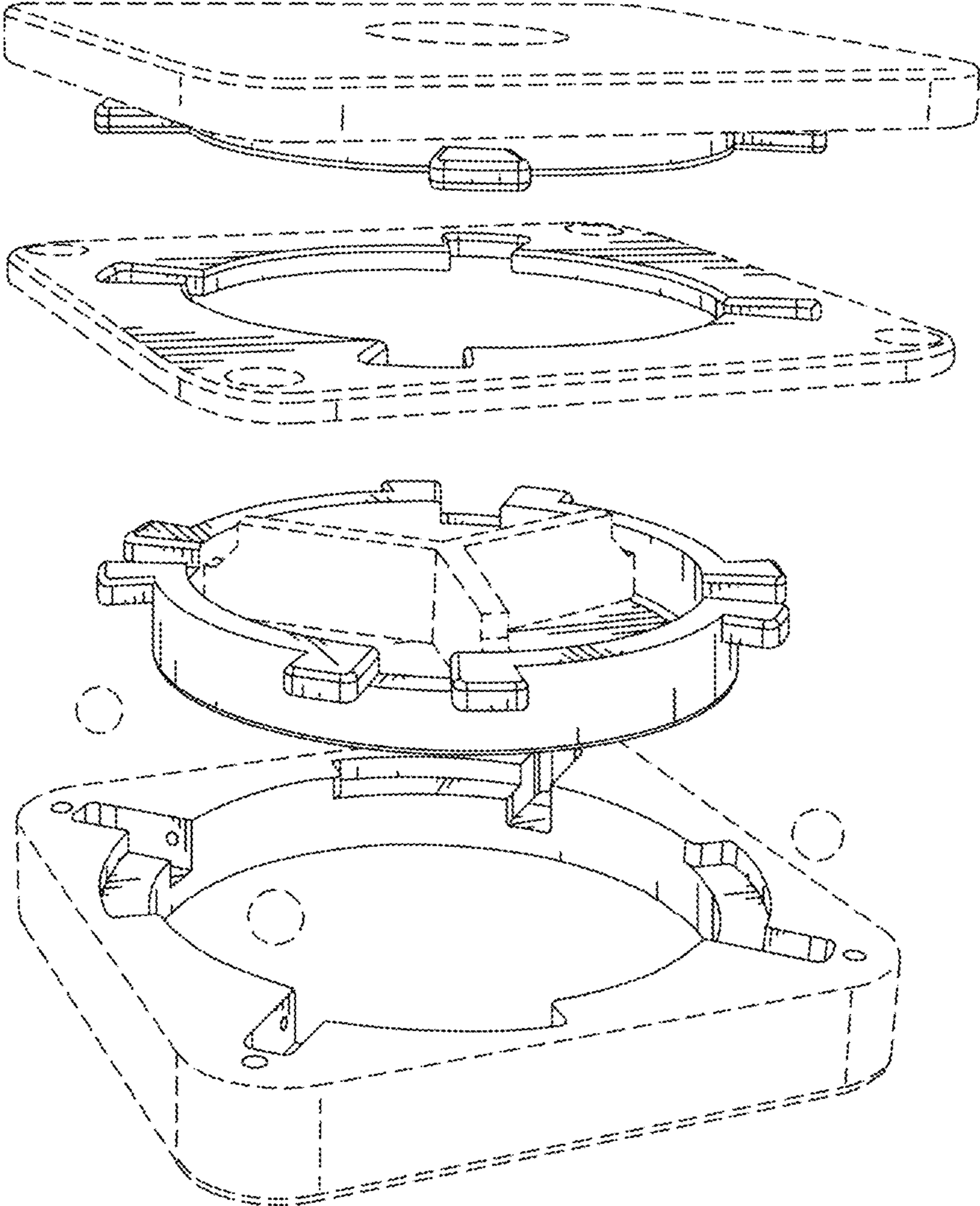


FIG. 1

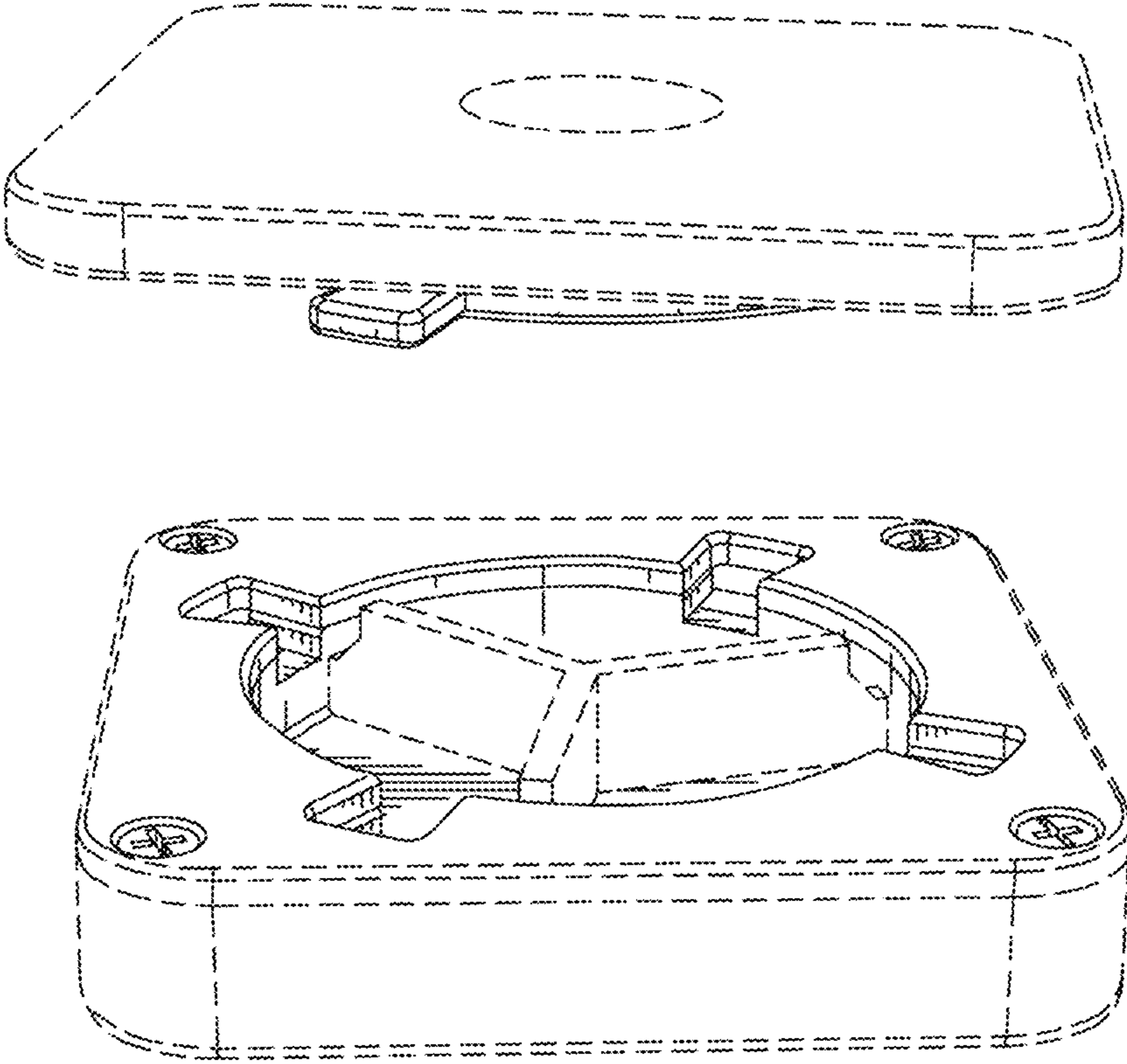


FIG. 2

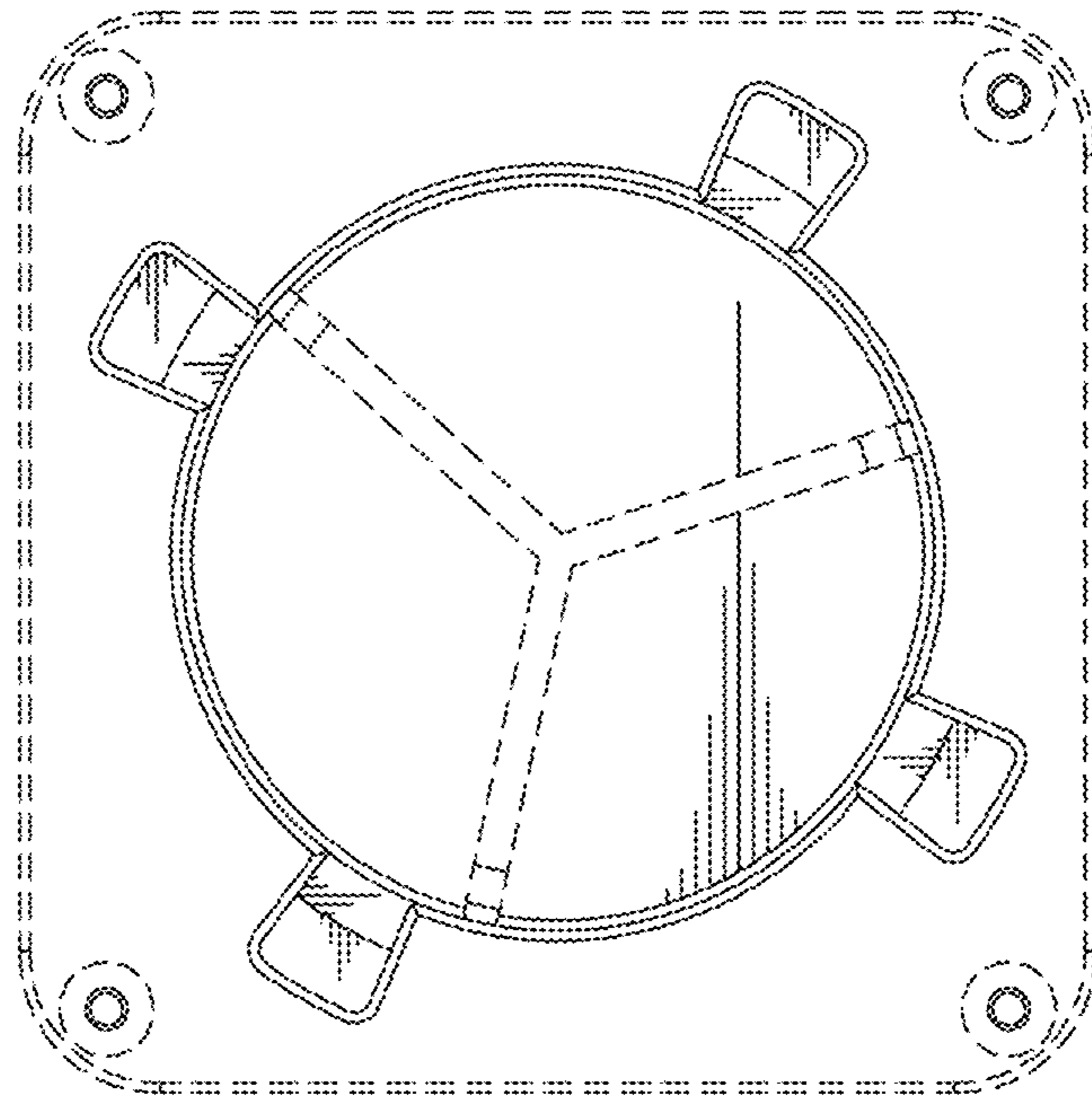


FIG. 3

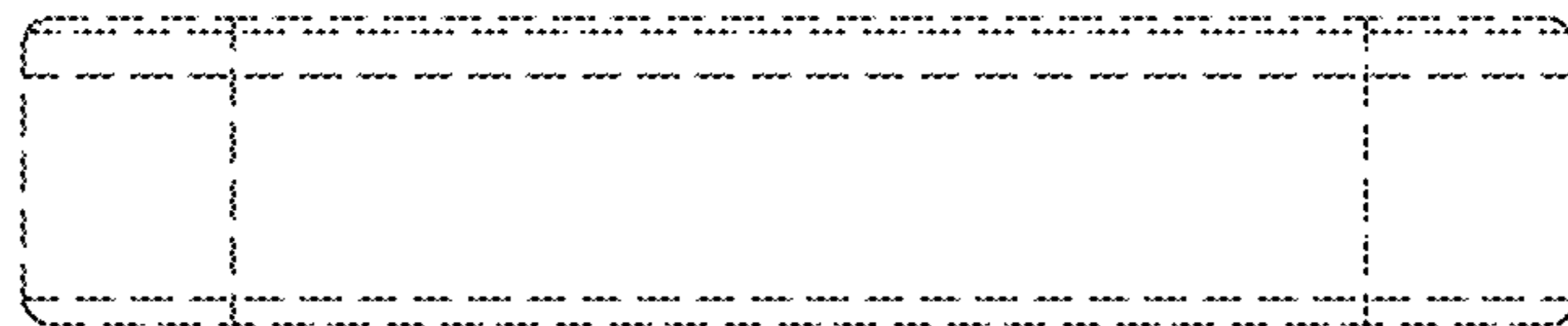


FIG. 4

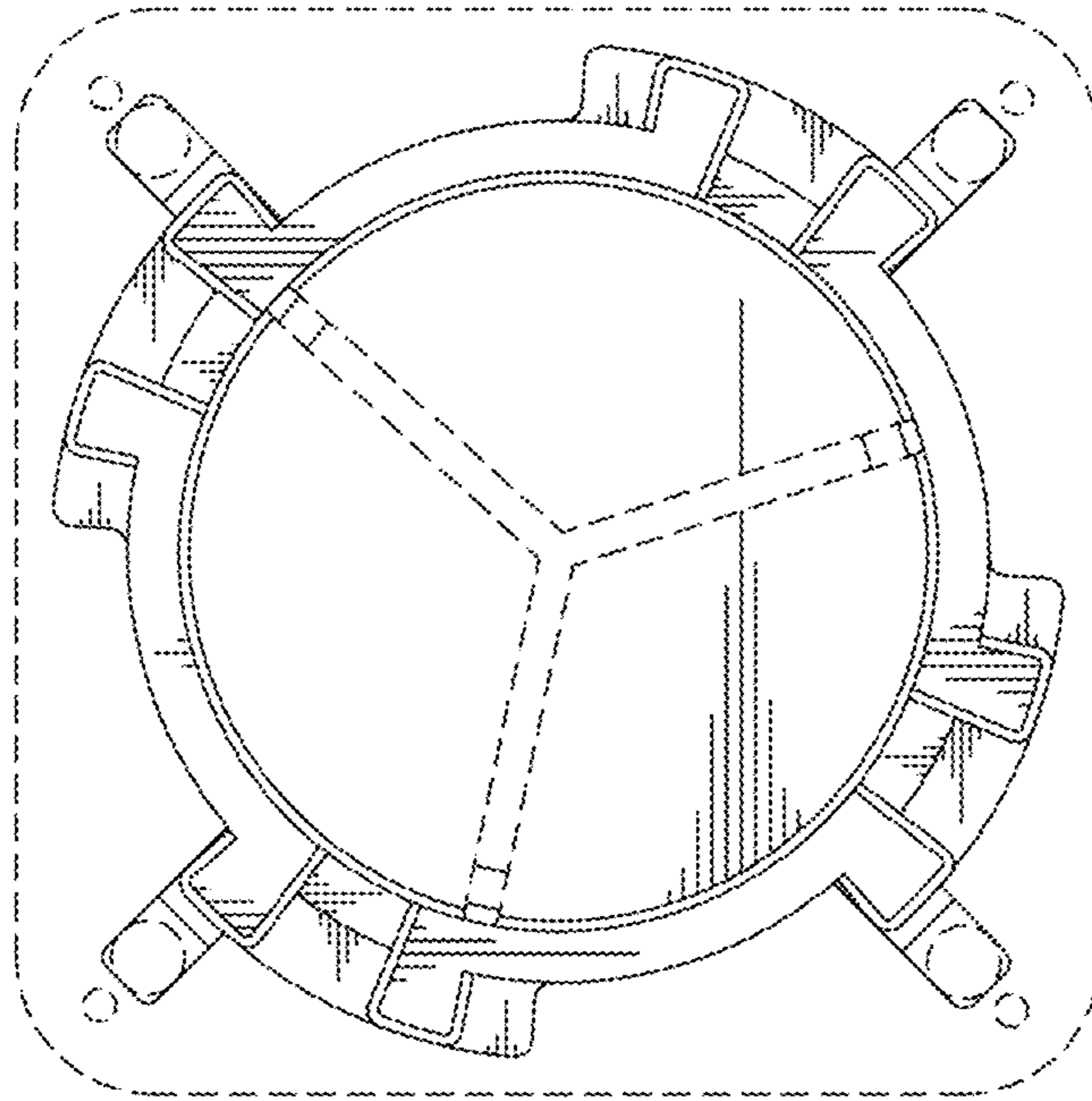


FIG. 5

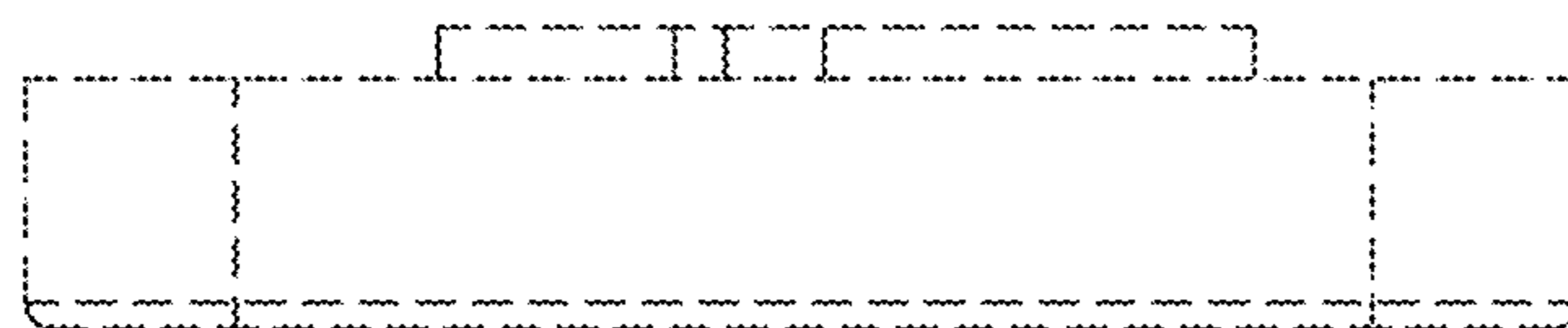


FIG. 6

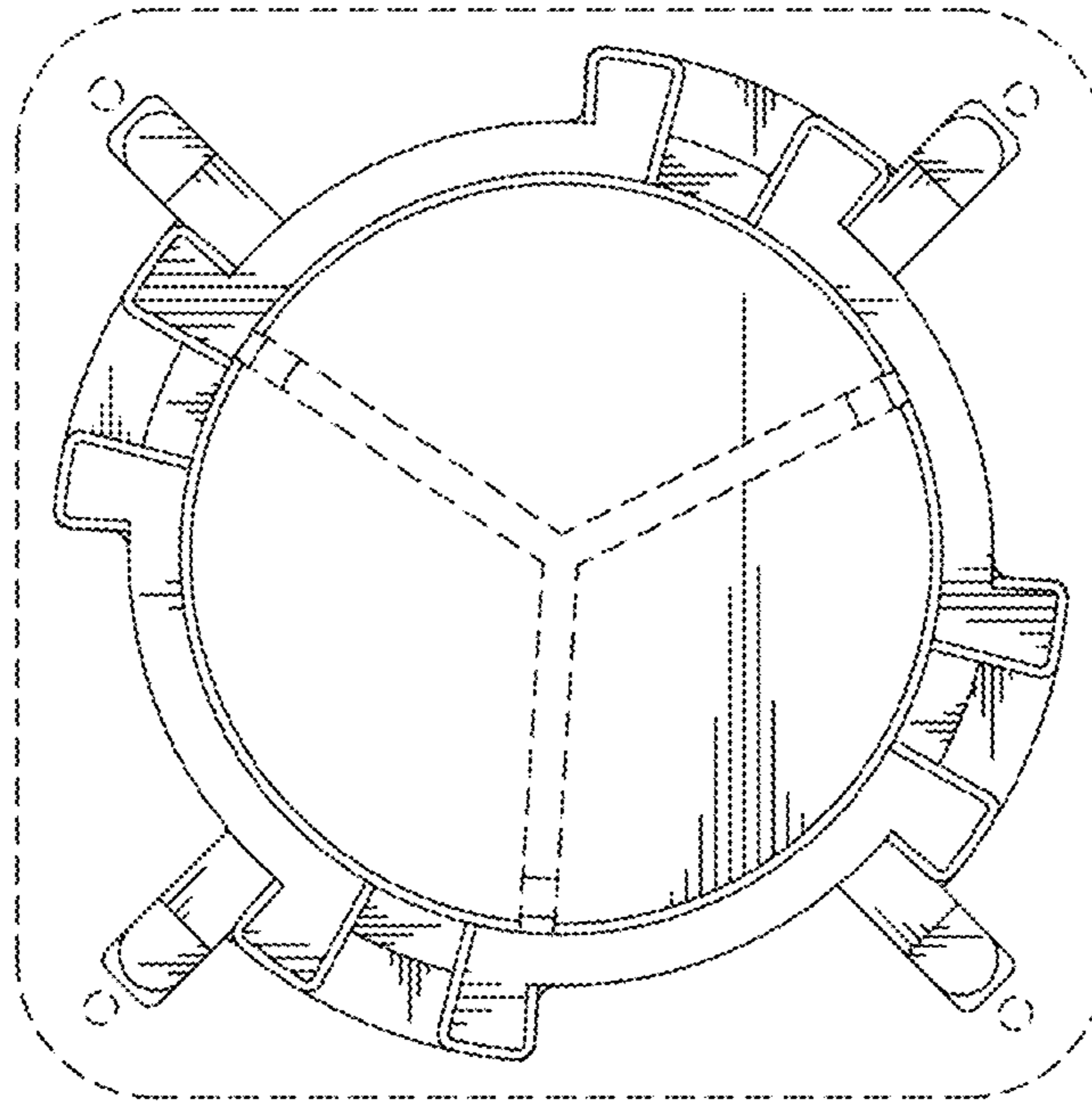


FIG. 7

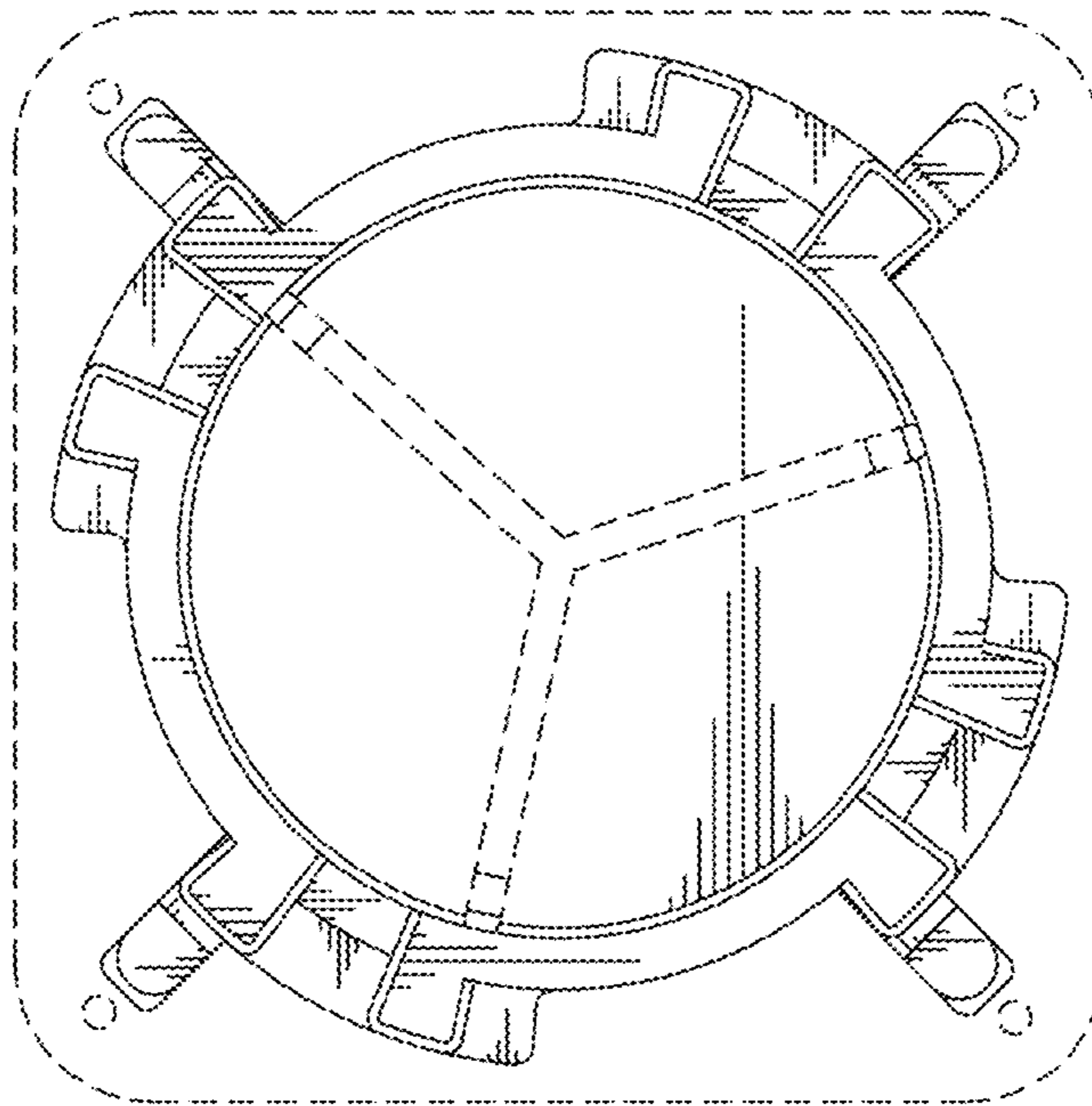


FIG. 8

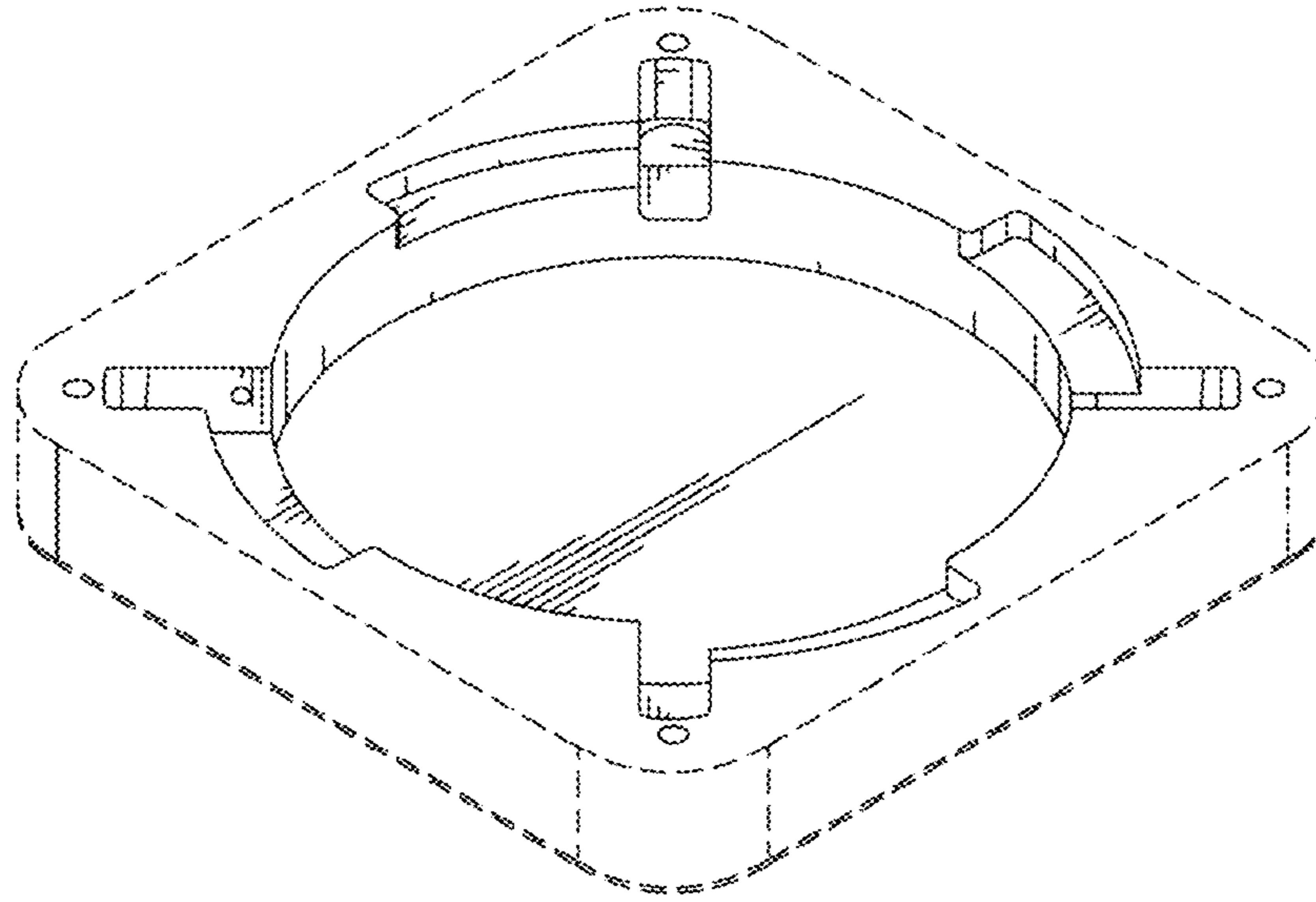


FIG. 9

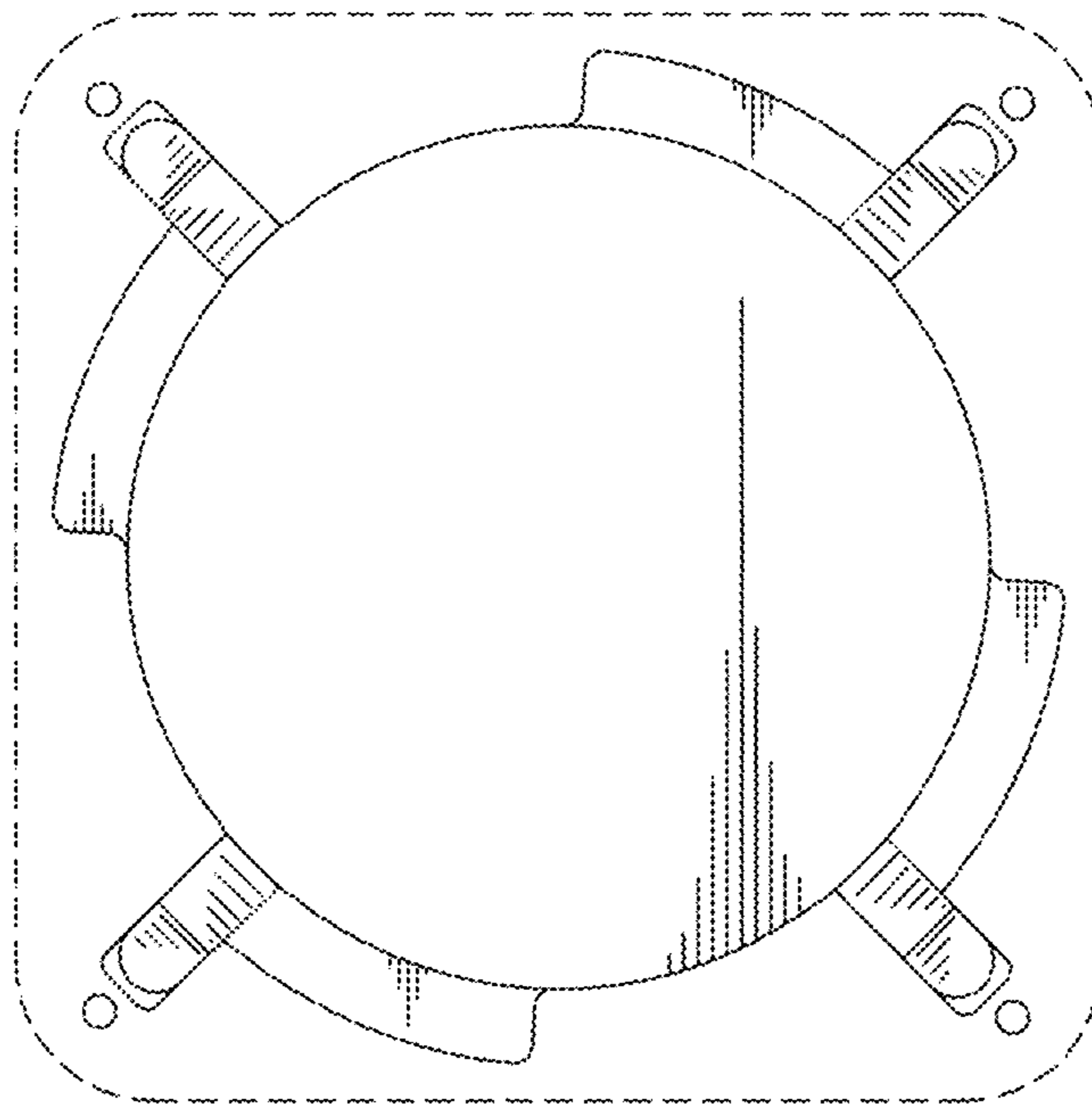


FIG. 10

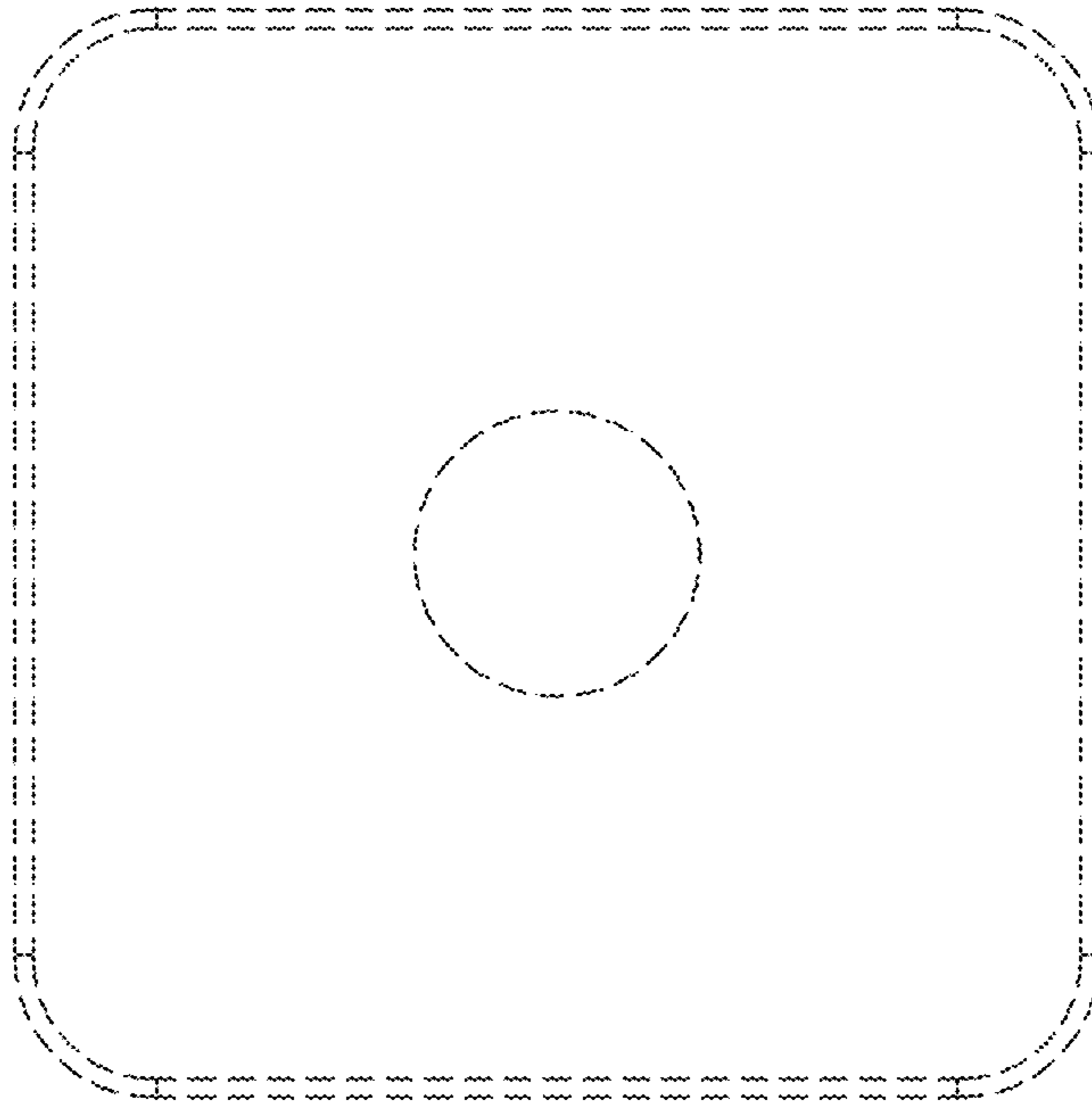


FIG. 11

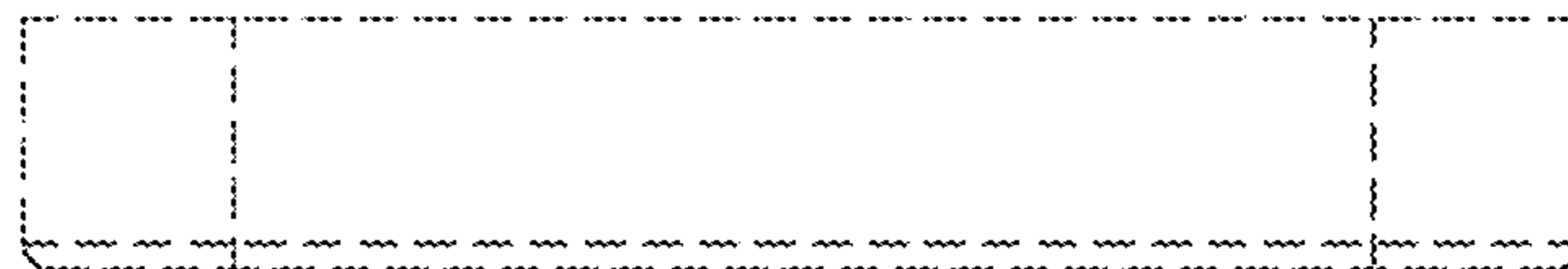


FIG. 12

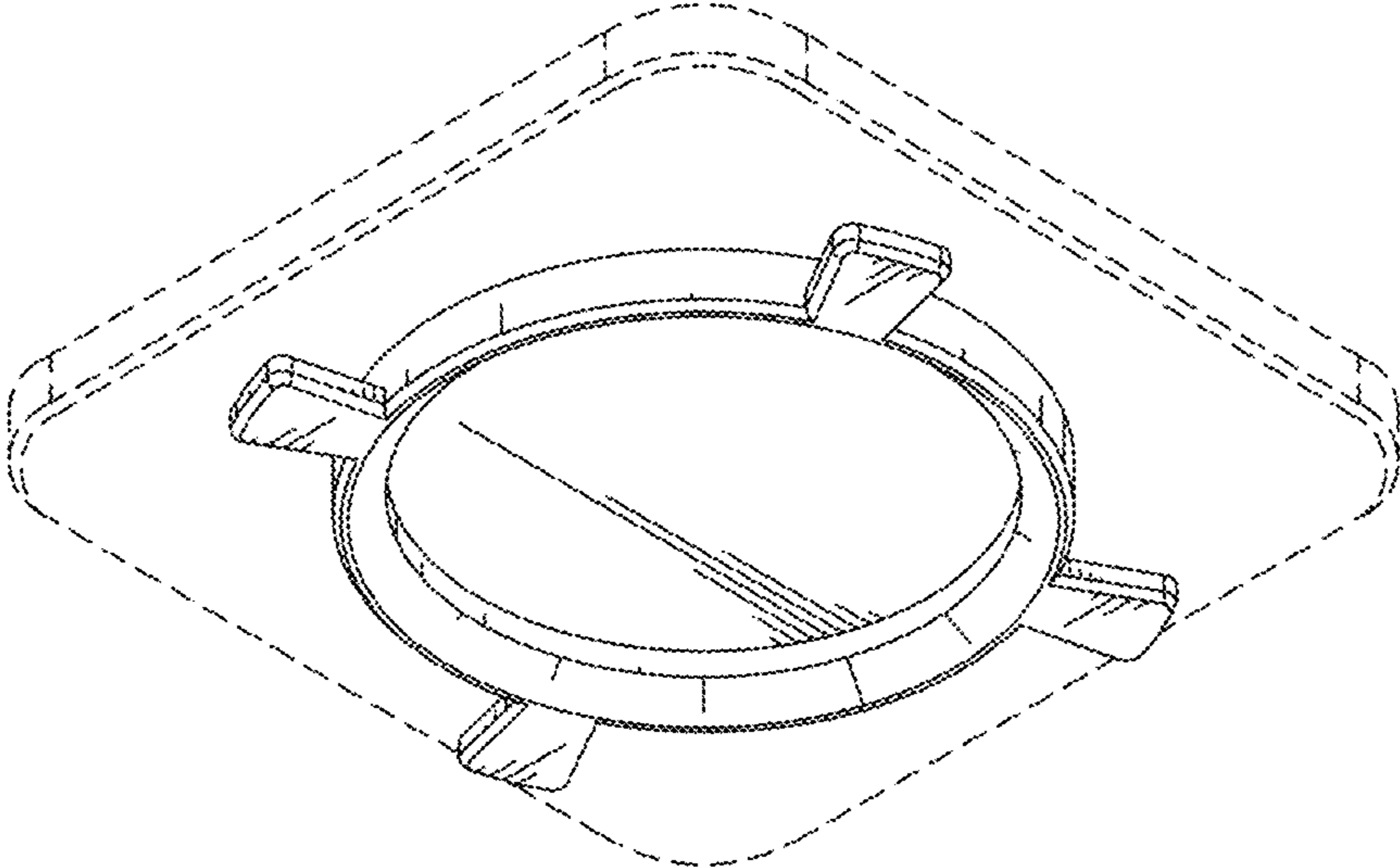


FIG. 13

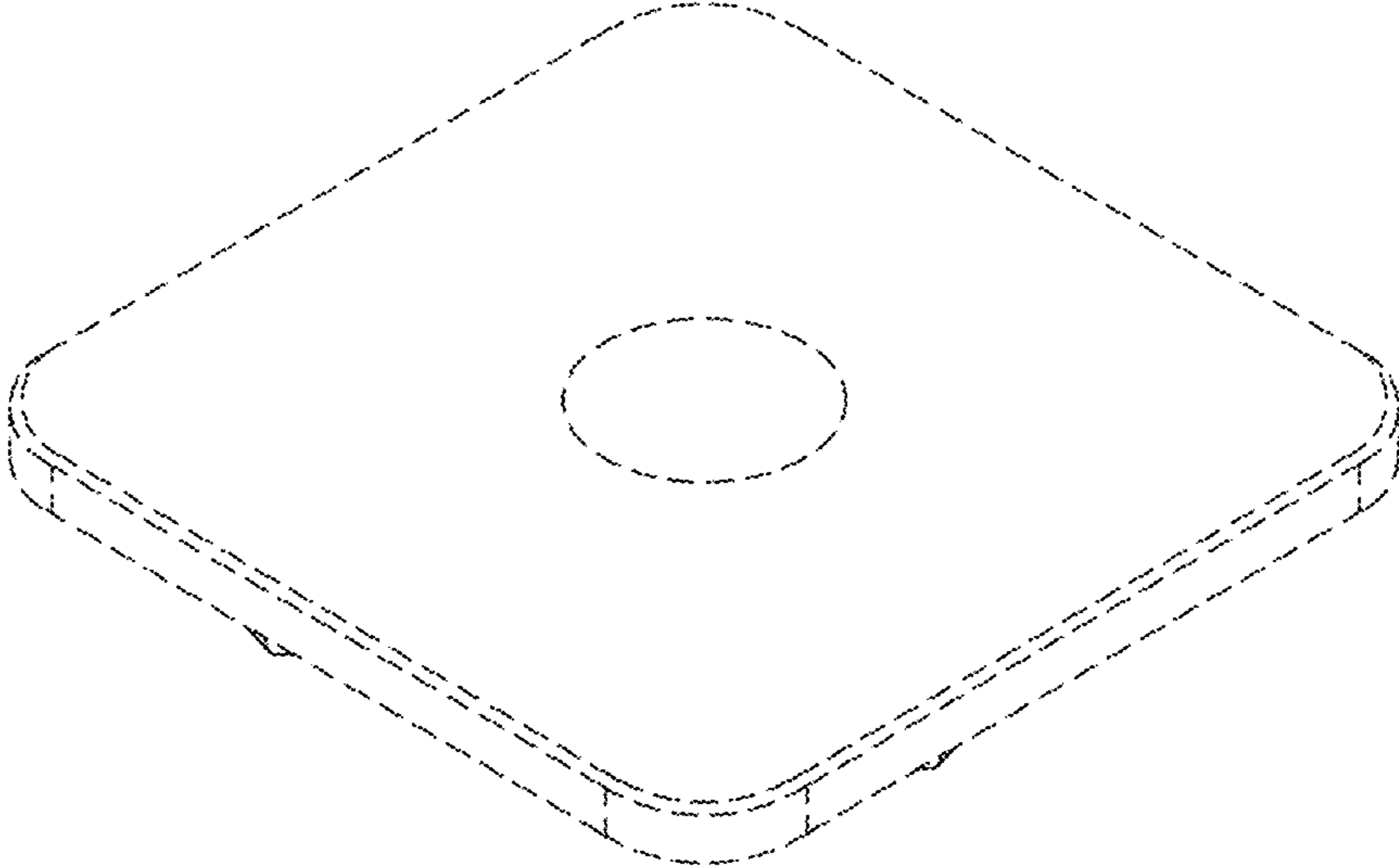


FIG. 14

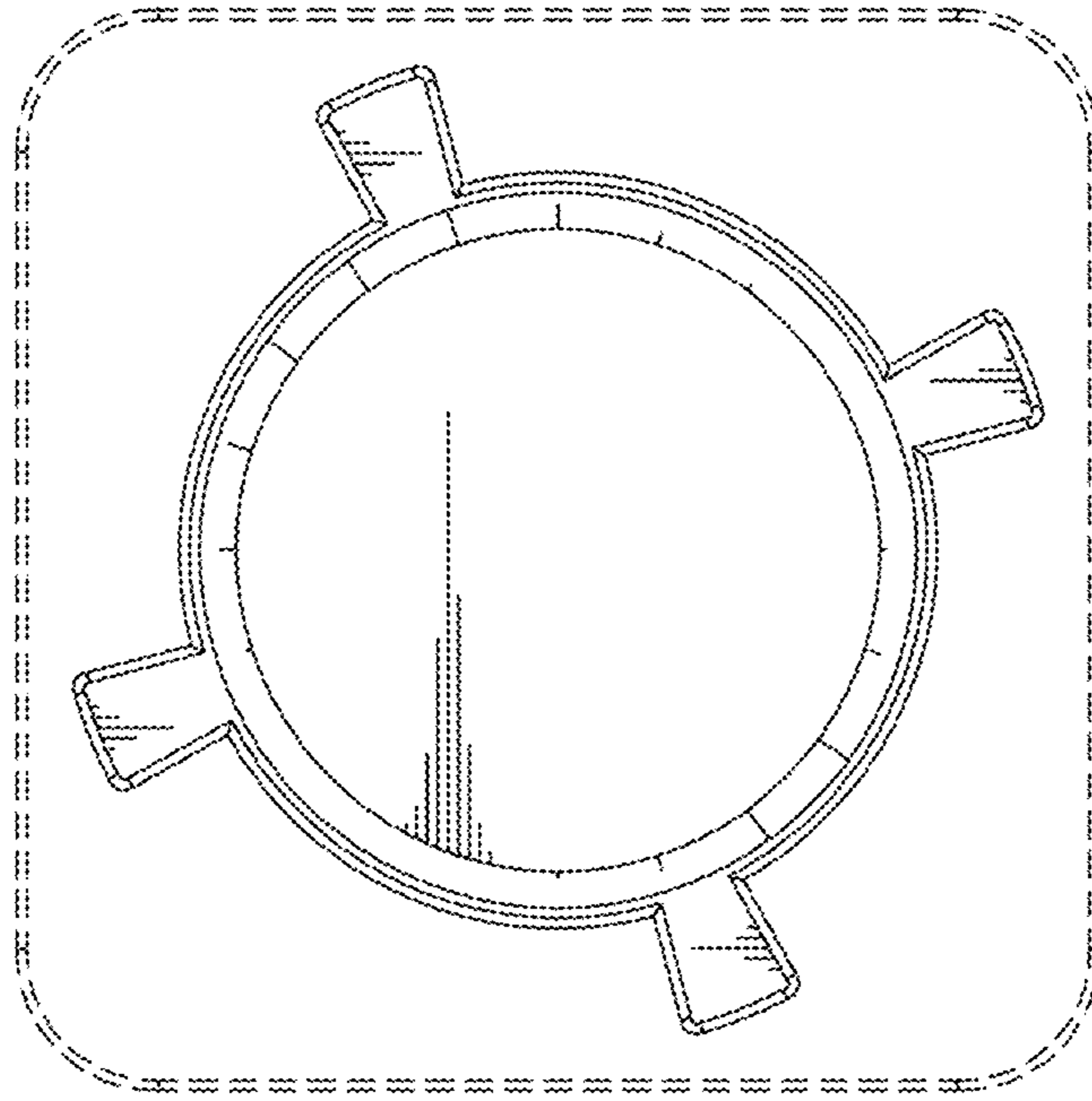


FIG. 15

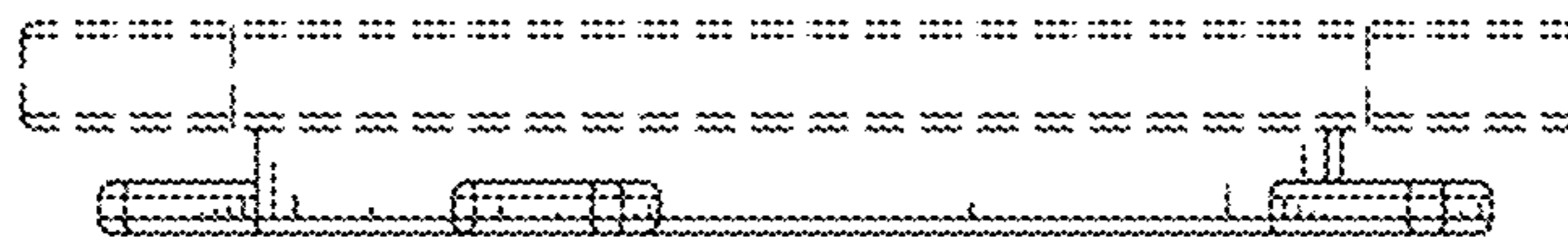


FIG. 16

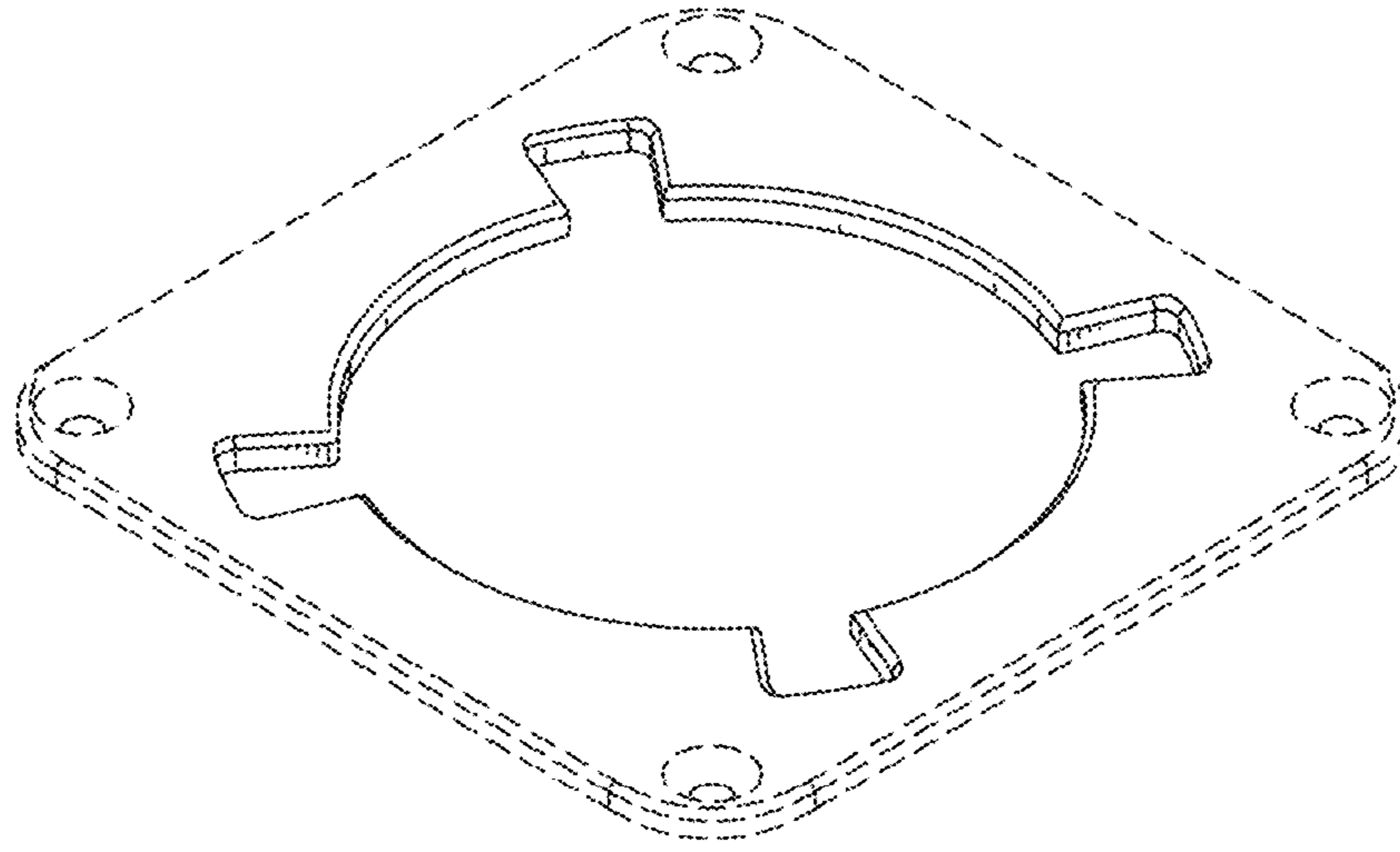


FIG. 17

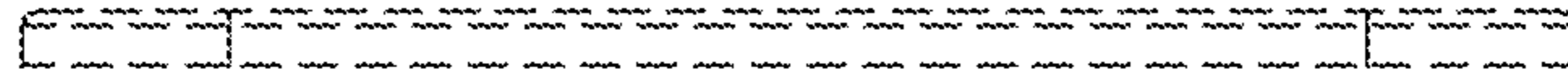


FIG. 18

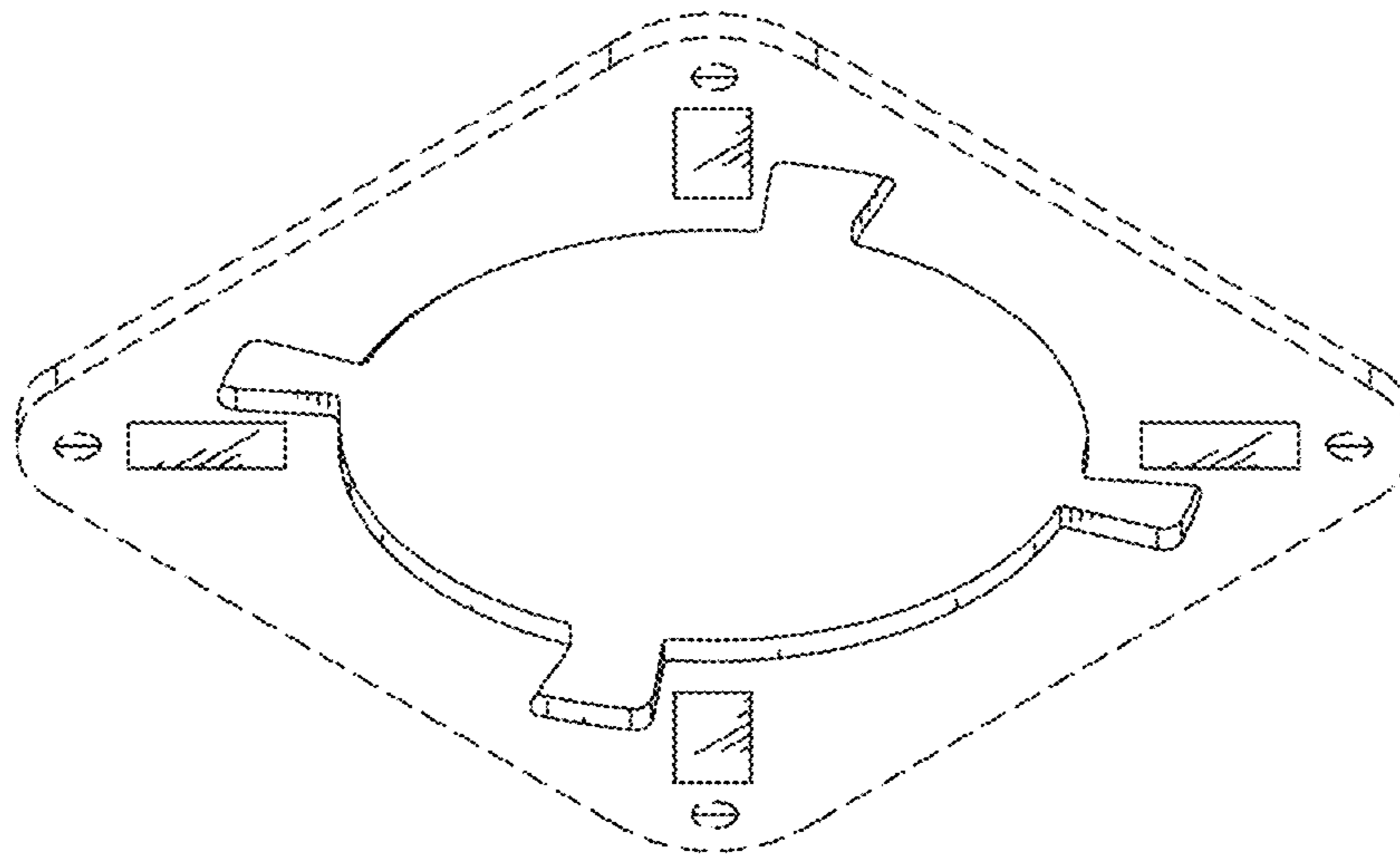


FIG. 19

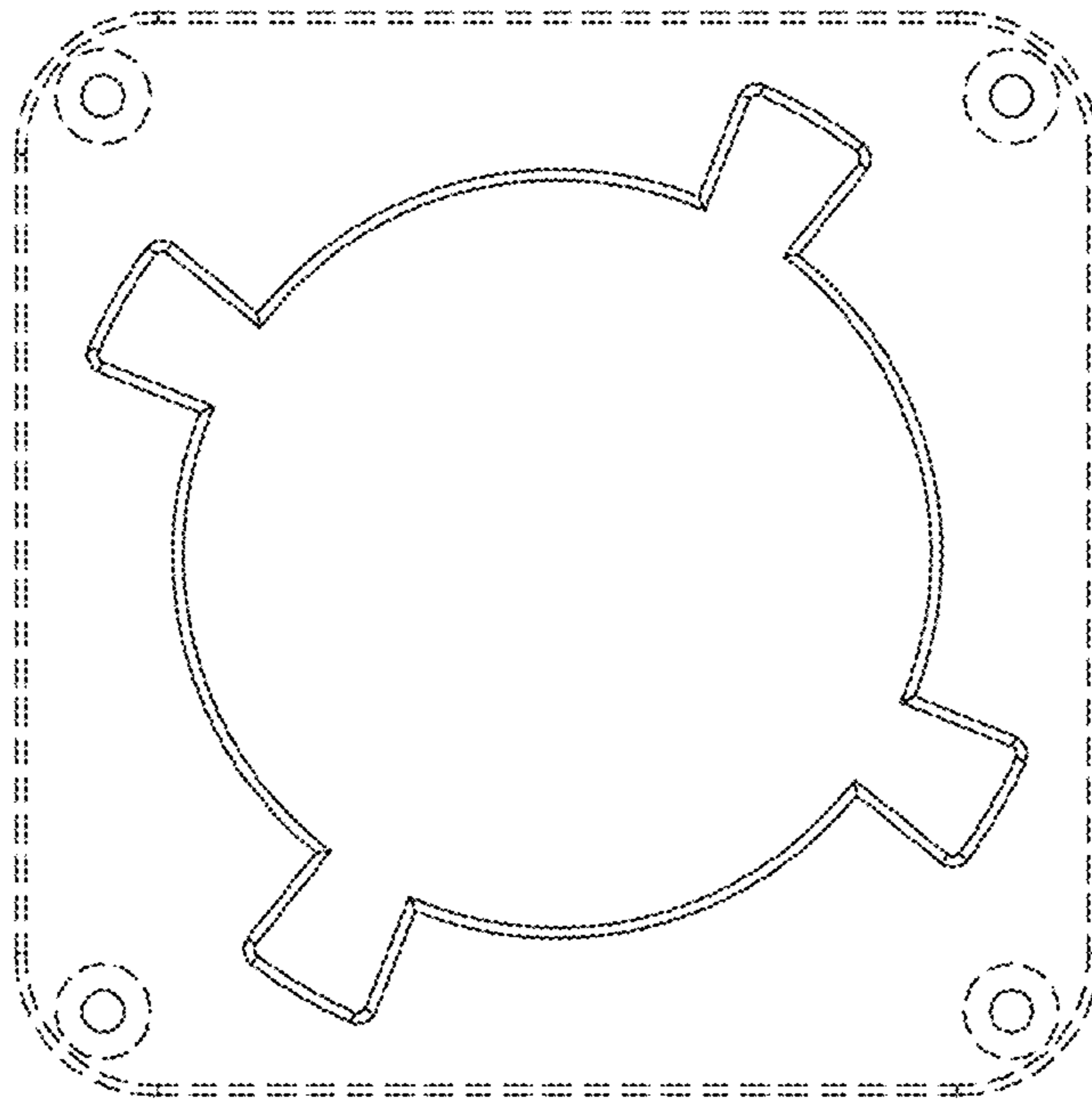


FIG. 20

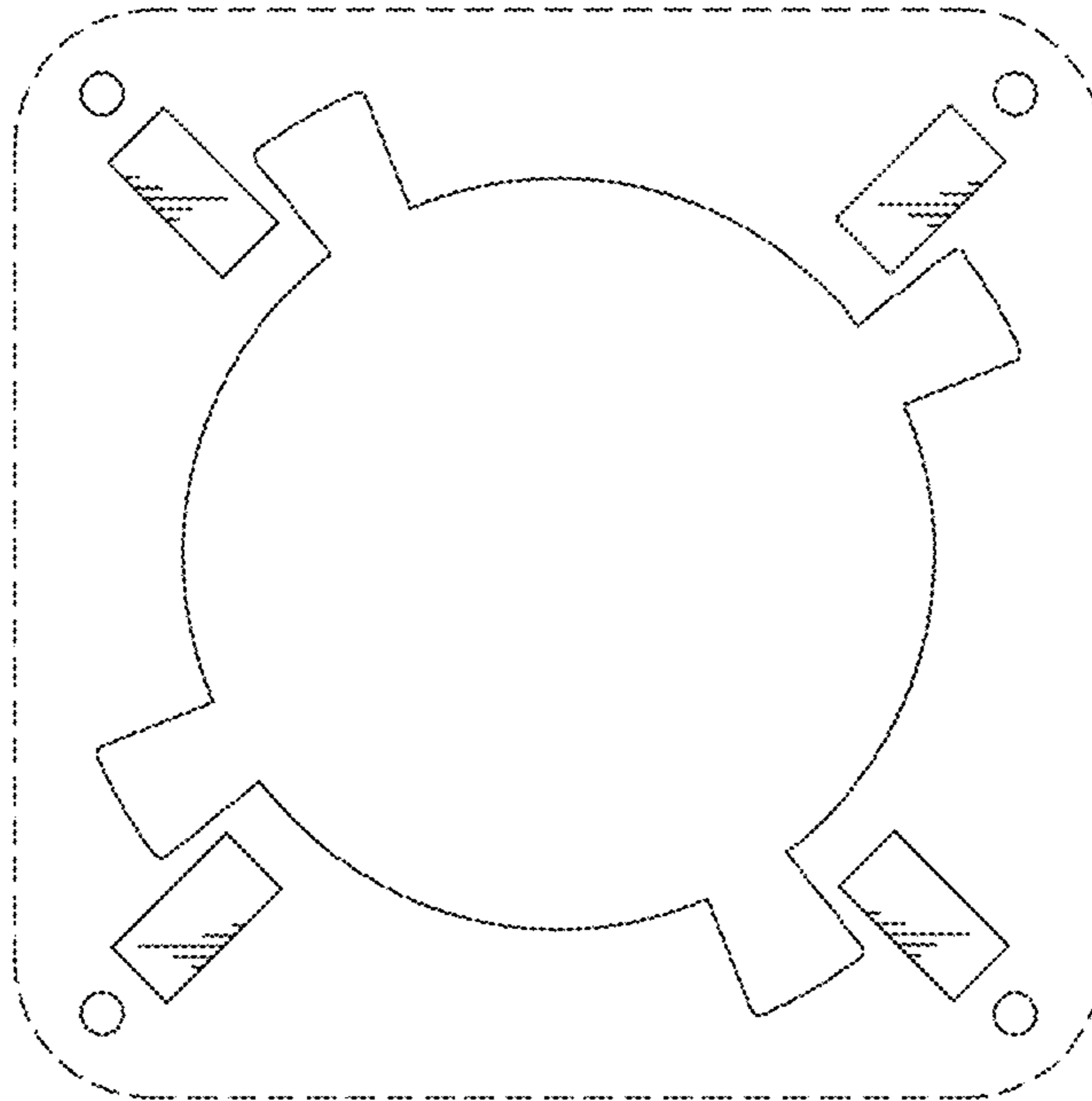


FIG. 21

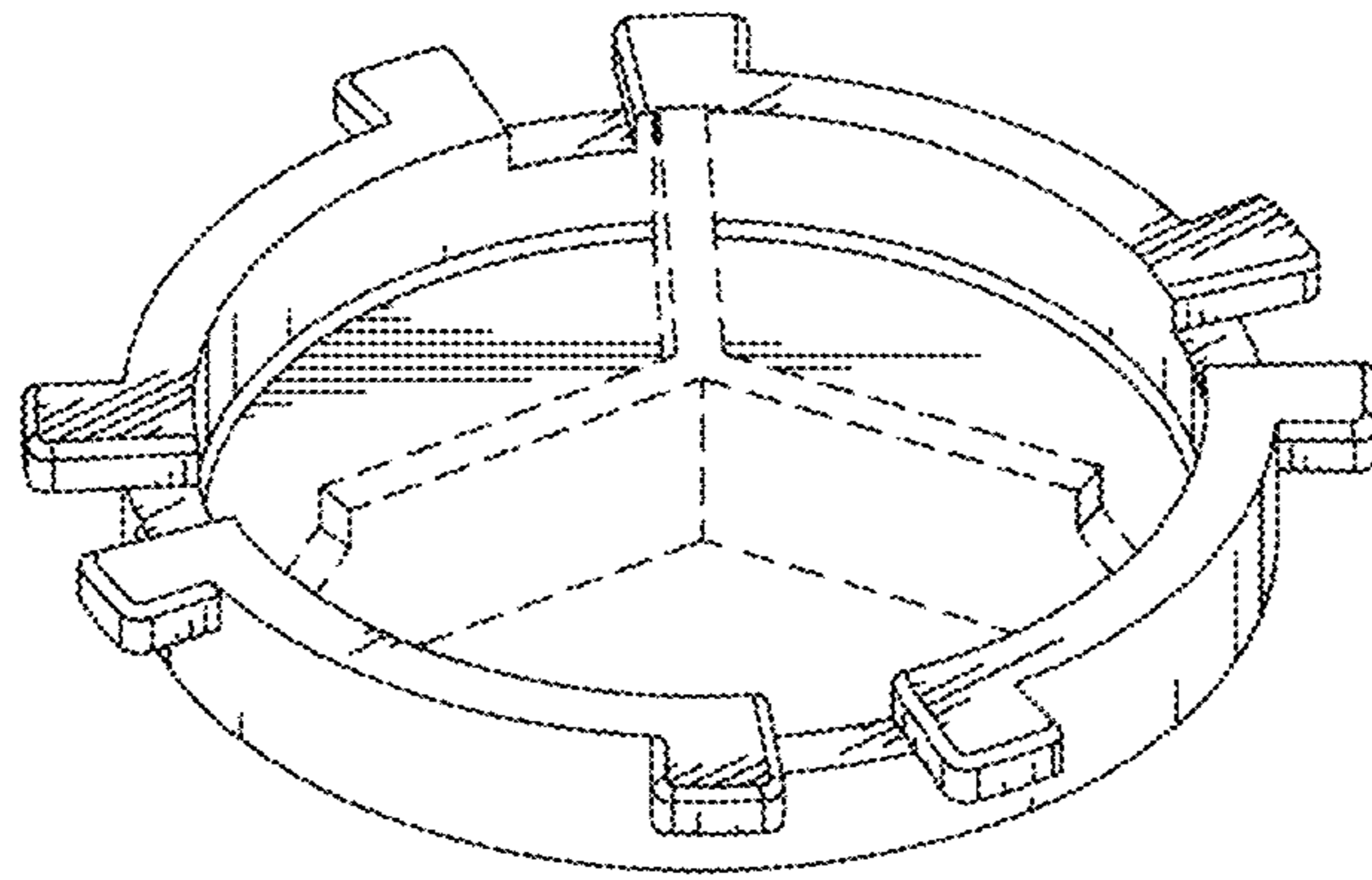


FIG. 22

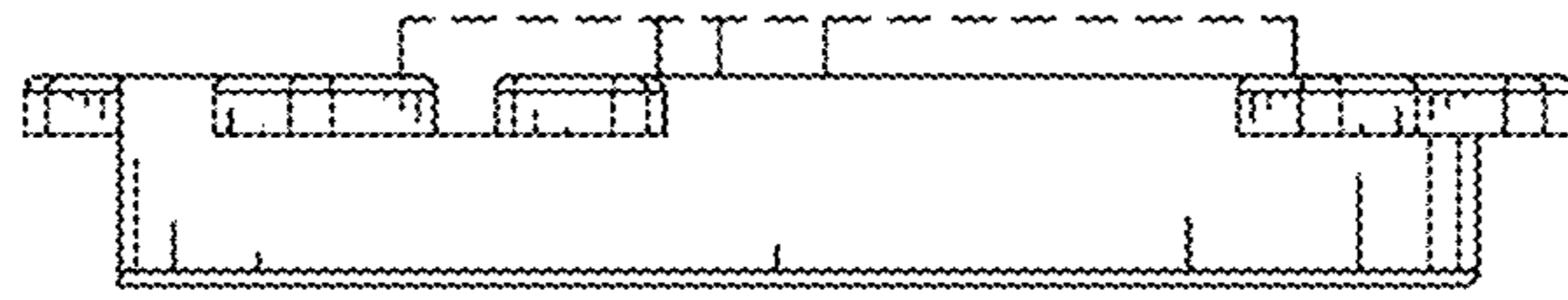


FIG. 23

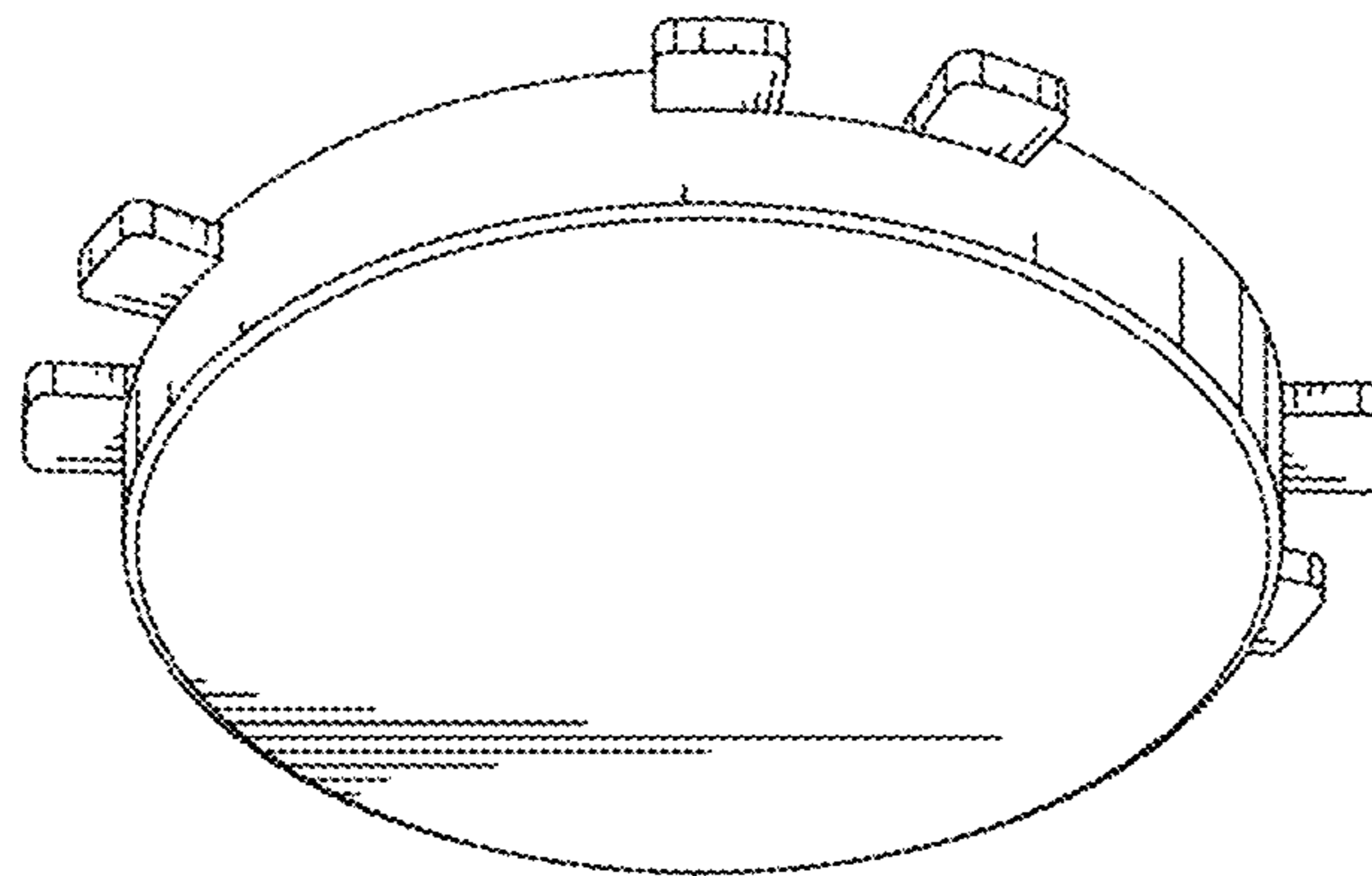


FIG. 24

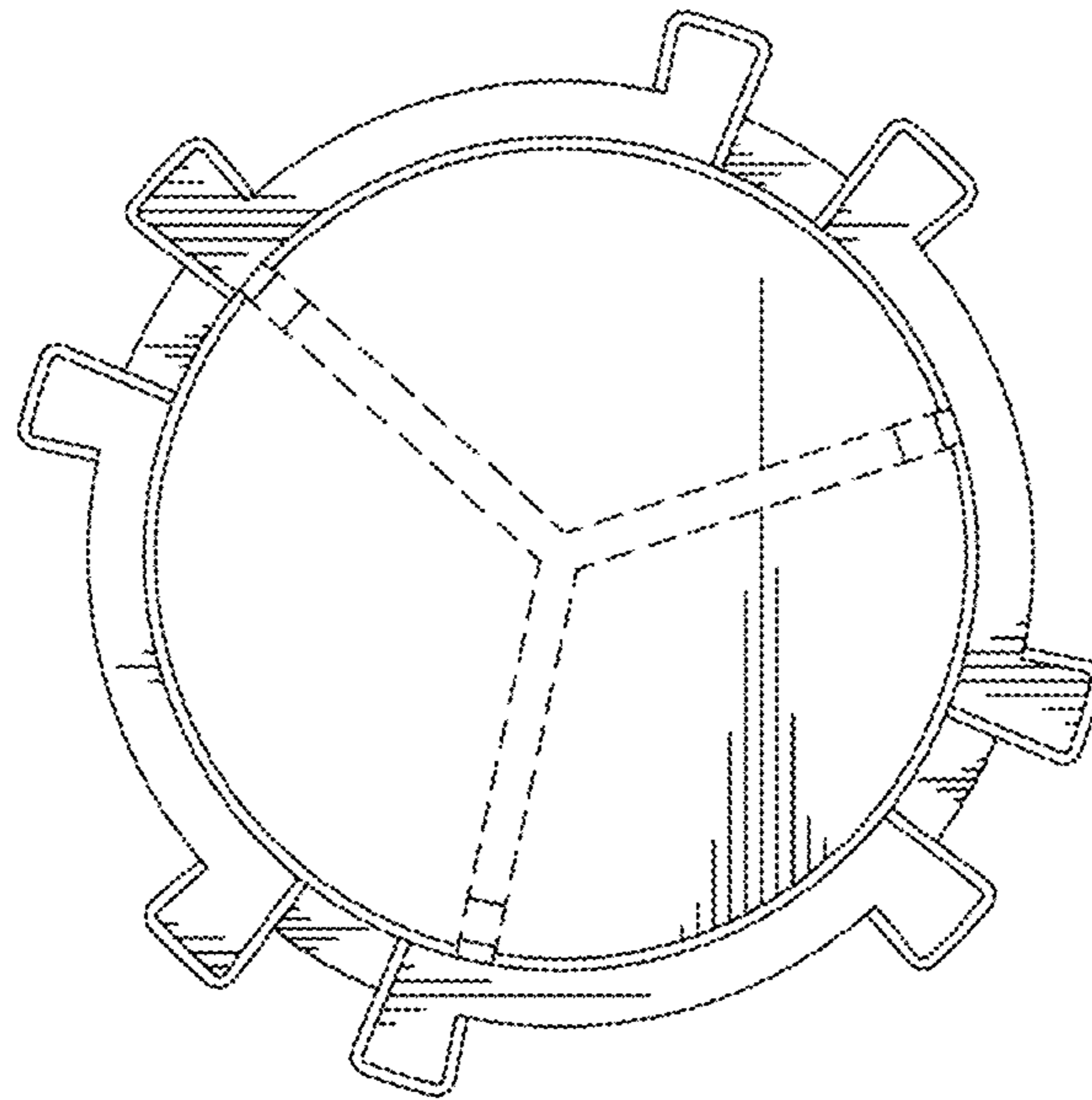


FIG. 25

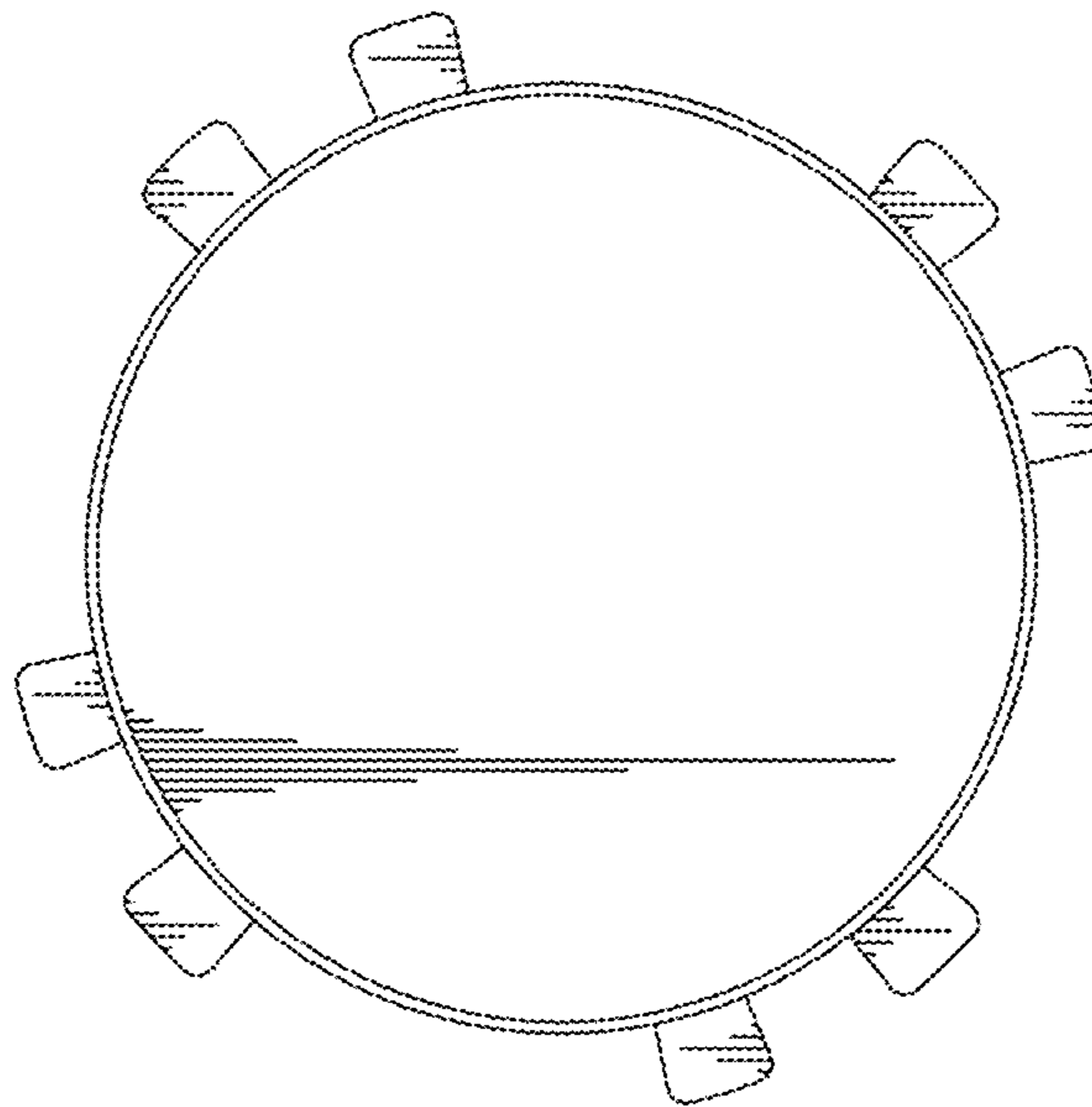


FIG. 26

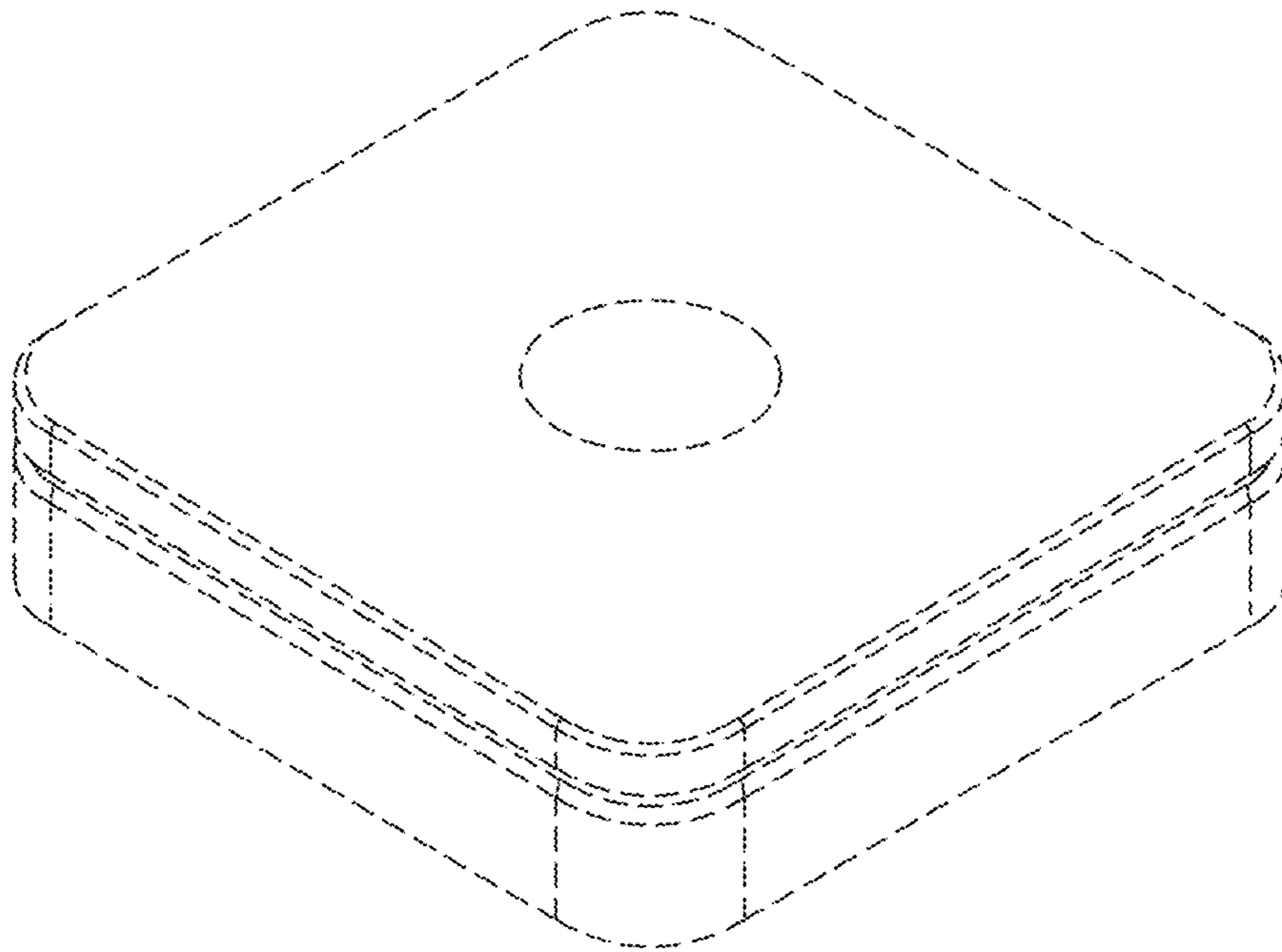


FIG. 27

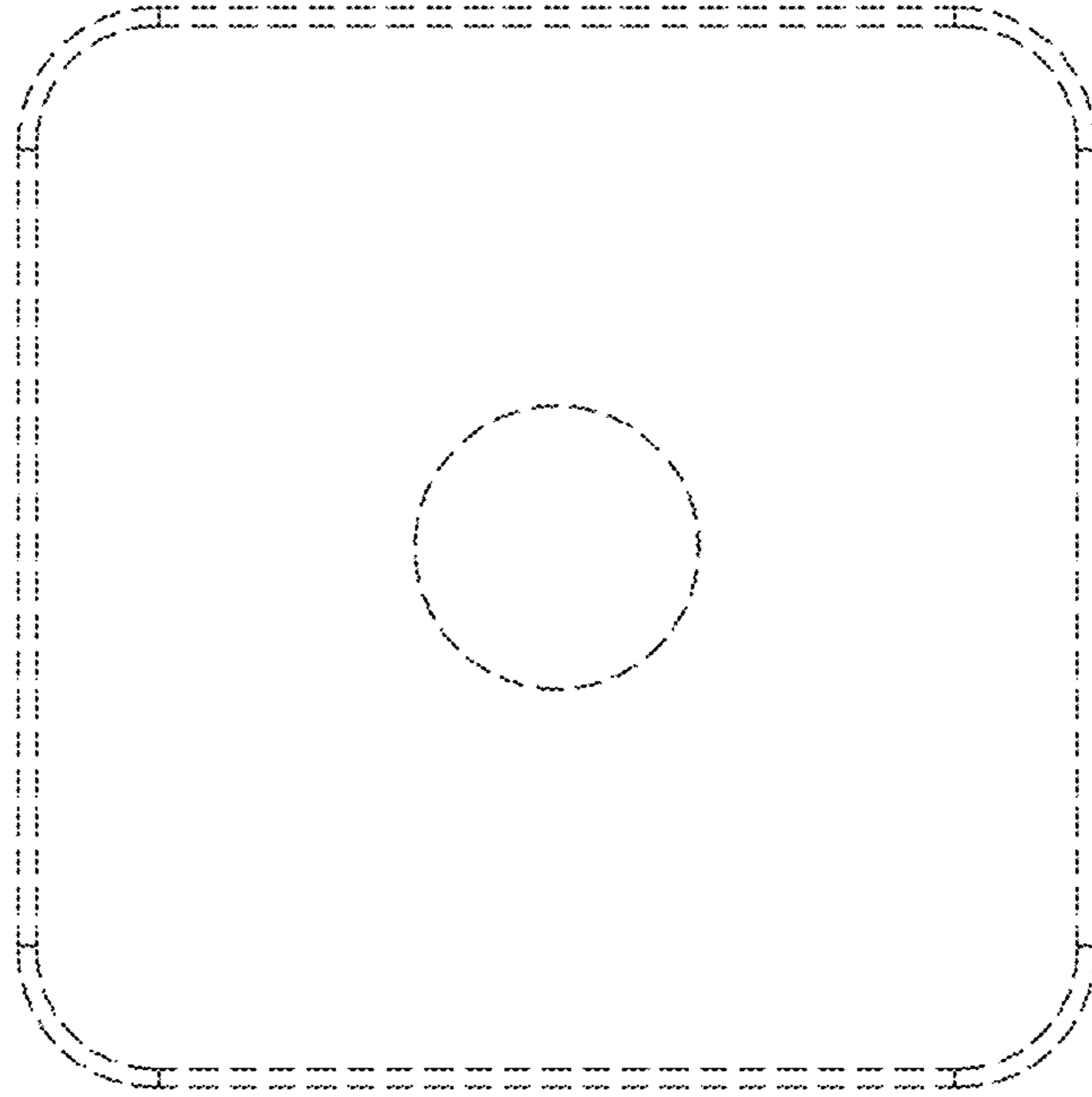


FIG. 28

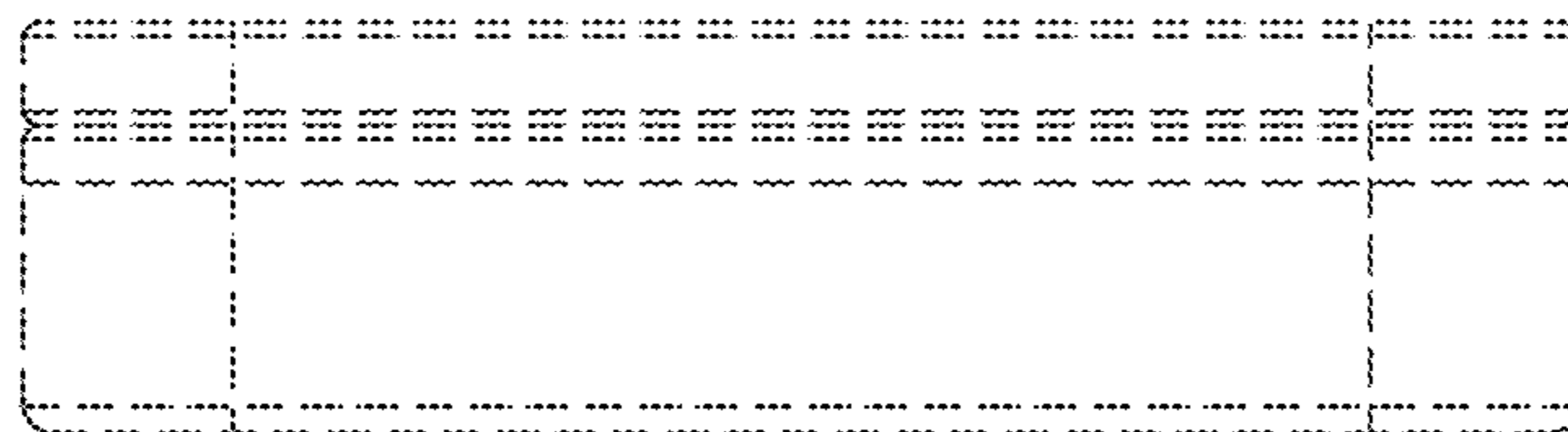


FIG. 29

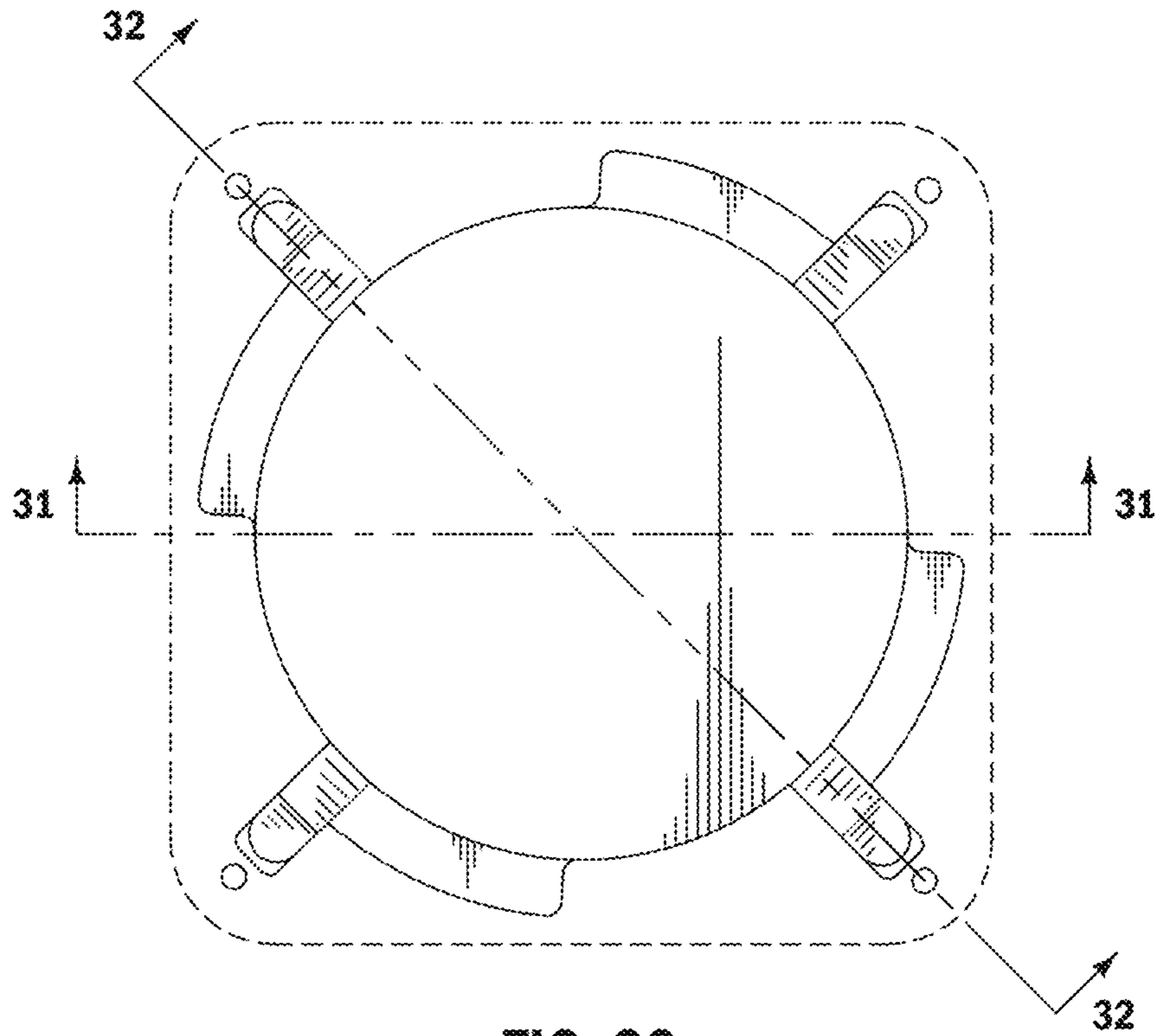


FIG. 30

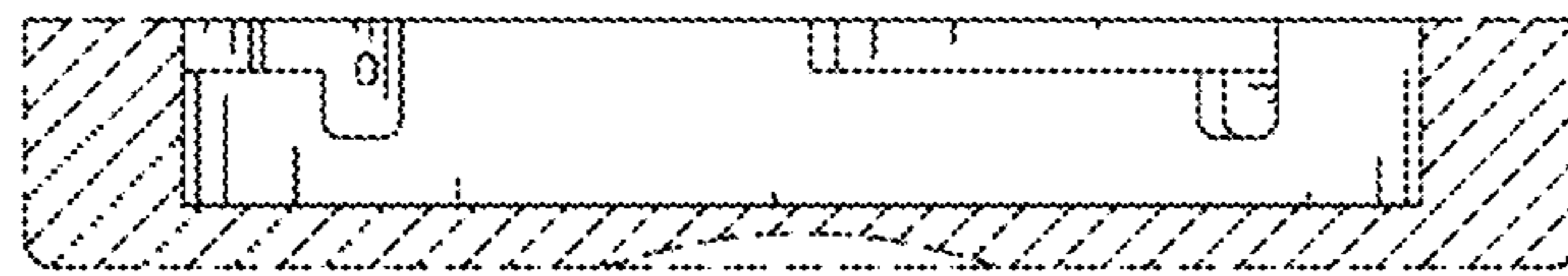


FIG. 31

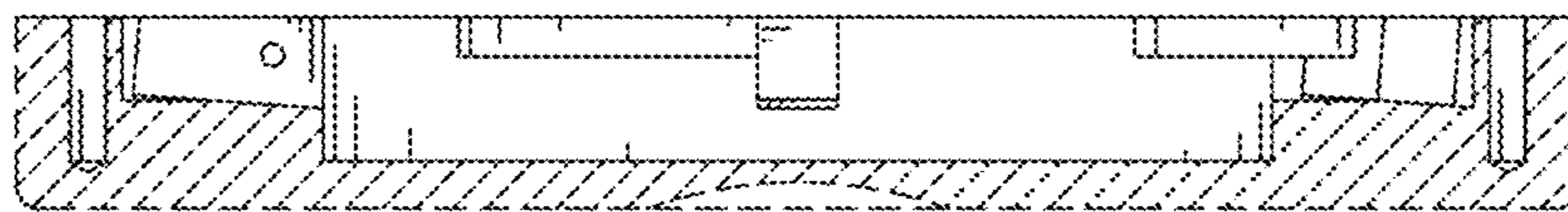


FIG. 32

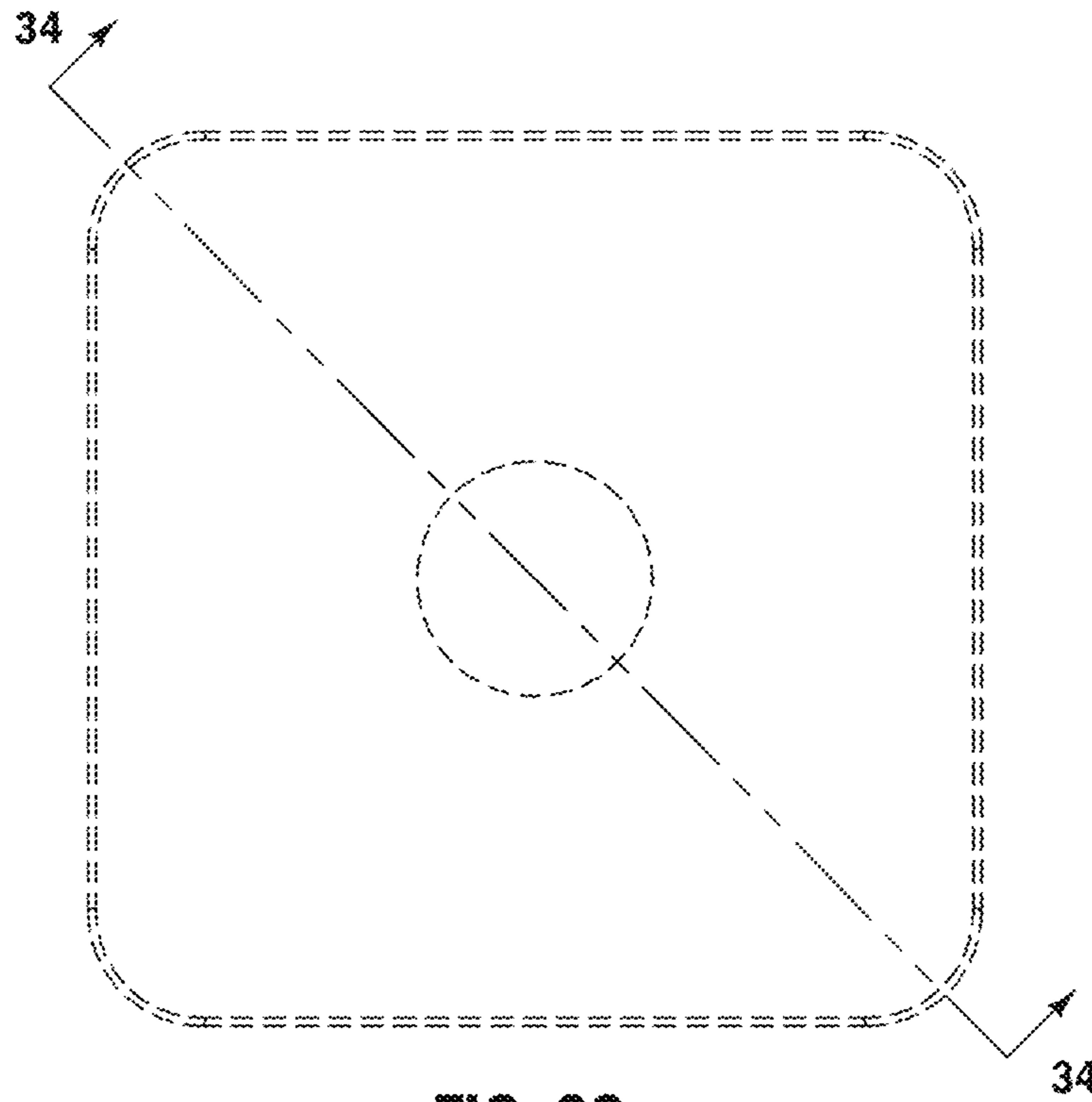


FIG. 33

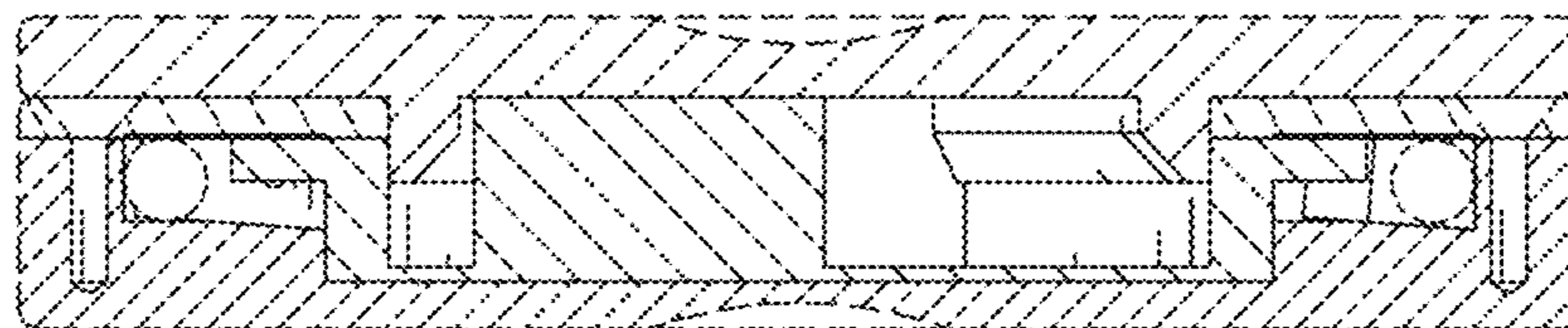


FIG. 34