



US00D969227S

(12) **United States Design Patent** (10) **Patent No.:** **US D969,227 S**
Wang (45) **Date of Patent:** **** Nov. 8, 2022**

(54) **TOY SET**

(71) Applicant: **Qi Wang**, Shenzhen (CN)

(72) Inventor: **Qi Wang**, Shenzhen (CN)

(**) Term: **15 Years**

(21) Appl. No.: **29/787,372**

(22) Filed: **Jun. 6, 2021**

(30) **Foreign Application Priority Data**

Mar. 17, 2021 (CN) 202130143953.4

(51) **LOC (13) Cl.** **21-01**

(52) **U.S. Cl.**

USPC **D21/468**; D21/471; D21/484; D21/496

(58) **Field of Classification Search**

USPC D21/398, 468, 471, 475, 478, 479, 480,
D21/483, 484, 485, 493, 495, 496, 405;

(Continued)

(56) **References Cited**

U.S. PATENT DOCUMENTS

1,381,995 A * 6/1921 Humbert A63F 9/1288
434/96

2,791,854 A * 5/1957 Hall A41G 1/00
156/305

(Continued)

FOREIGN PATENT DOCUMENTS

CN 305844337 * 6/2020

CN 306613449 * 6/2020

(Continued)

Primary Examiner — Catherine A Tuttle

(57) **CLAIM**

The ornamental design for a toy set, as shown and described.

DESCRIPTION

FIG. 1 is a top perspective view of a first component of the toy set embodying my new design, shown separately for ease of illustration;

FIG. 2 is bottom perspective view thereof;
FIG. 3 is a front elevational view thereof;
FIG. 4 is a rear elevational view thereof;
FIG. 5 is a left side elevational view thereof;
FIG. 6 is a right side elevational view thereof;
FIG. 7 is a top plan view thereof;
FIG. 8 is a bottom plan view thereof;
FIG. 9 is a top perspective view of a second component of the toy set, shown separately for ease of illustration;
FIG. 10 is bottom perspective view thereof;
FIG. 11 is a front elevational view thereof;
FIG. 12 is a rear elevational view thereof;
FIG. 13 is a left side elevational view thereof;
FIG. 14 is a right side elevational view thereof;
FIG. 15 is a top plan view thereof;
FIG. 16 is a bottom plan view thereof;
FIG. 17 is a top perspective view of a third component of the toy set, shown separately for ease of illustration;
FIG. 18 is bottom perspective view thereof;
FIG. 19 is a front elevational view thereof;
FIG. 20 is a rear elevational view thereof;
FIG. 21 is a left side elevational view thereof;
FIG. 22 is a right side elevational view thereof;
FIG. 23 is a top plan view thereof;
FIG. 24 is a bottom plan view thereof;
FIG. 25 is a top perspective view of a fourth component of the toy set, shown separately for ease of illustration;
FIG. 26 is bottom perspective view thereof;
FIG. 27 is a front elevational view thereof;
FIG. 28 is a rear elevational view thereof;
FIG. 29 is a left side elevational view thereof;
FIG. 30 is a right side elevational view thereof;
FIG. 31 is a top plan view thereof;
FIG. 32 is a bottom plan view thereof;
FIG. 33 is a top perspective view of a fifth component of the toy set, shown separately for ease of illustration;
FIG. 34 is bottom perspective view thereof;
FIG. 35 is a front elevational view thereof;
FIG. 36 is a rear elevational view thereof;
FIG. 37 is a left side elevational view thereof;
FIG. 38 is a right side elevational view thereof;
FIG. 39 is a top plan view thereof;
FIG. 40 is a bottom plan view thereof;

(Continued)

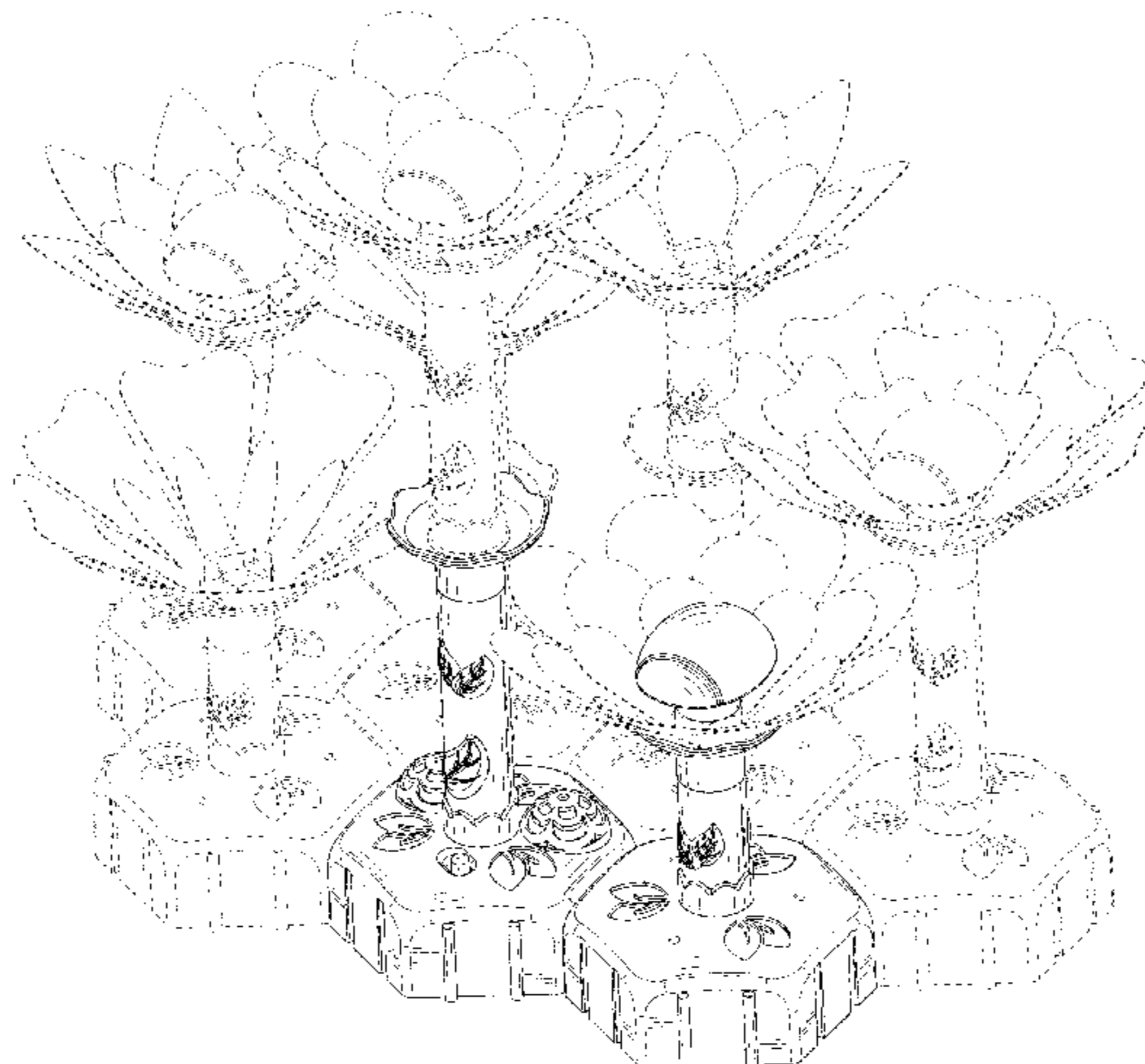


FIG. 41 is a perspective view showing the toy set in a first combination state;
 FIG. 42 is a perspective view showing the toy set in a second combination state;
 FIG. 43 is a perspective view showing the toy set in a third combination state;
 FIG. 44 is a perspective view showing the toy set in a fifth combination state; and,
 FIG. 45 is a perspective view showing the toy set is in a sixth combination state.
 The broken lines in the drawings depict portions of the toy set that form no part of the claimed design.

1 Claim, 45 Drawing Sheets

(58) **Field of Classification Search**

USPC D11/117, 121, 125, 131, 157, 118;
 D19/59, 62, 64; D26/51, 57, 101;
 273/153 R, 156, 157 R
 CPC A63H 33/00; A63H 33/04; A63H 33/06;
 A63H 33/088; A63H 33/103; A63H
 33/08; A63H 33/26; A63H 33/30; A63H
 33/42; A63H 33/062; A63H 33/067;
 A63H 33/10; A63H 33/101; A63H
 33/106; A63H 33/107; A63H 33/108;
 A63F 9/00; A63F 9/06; A63F 9/12; A63F
 9/1204; A63F 9/1208; A63F 9/1252;
 A63F 9/1288; A63F 2009/0033; A63F
 2009/0035; A63F 2009/1256; A63F
 2009/126; A63F 2009/1276; A63F
 2009/128; A63F 2009/1284; A63F
 2009/1292; A63F 2250/127; A63F
 2250/50; A63F 3/00173; A63F 3/00176;
 A63F 3/00261; A63F 3/00574; A63F
 2003/00359; A63F 2003/00362; A63F

2003/00621

See application file for complete search history.

(56)

References Cited

U.S. PATENT DOCUMENTS

D195,222	S	*	5/1963	Heiney	D11/118
3,471,964	A	*	10/1969	Cherry	A63H 33/00 446/268
3,673,909	A	*	7/1972	Birnkrant	G10D 13/08 84/404
D337,624	S	*	7/1993	Knudsen	D21/496
D371,401	S	*	7/1996	Nielsen	D21/496
D394,468	S	*	5/1998	Leadbetter	D21/496
D417,887	S	*	12/1999	Coipel	D19/7
D420,062	S	*	2/2000	Glickman	D21/504
D525,903	S	*	8/2006	Weiser	D11/117
D536,390	S	*	2/2007	Van Ness	D21/386
D723,631	S		3/2015	Kanbar et al.		
D802,680	S	*	11/2017	Moscatelli	D21/478
D835,210	S		12/2018	Eshet		
D857,113	S	*	8/2019	Fontaine	D21/496
D857,114	S	*	8/2019	Fontaine	D21/496
2011/0275275	A1	*	11/2011	Chang	A63H 33/30 446/484
2016/0346707	A1	*	12/2016	Kuo	E04B 2/12
2017/0144081	A1	*	5/2017	Jichi	A63H 33/088
2018/0008902	A1	*	1/2018	Fung	A63H 13/00

FOREIGN PATENT DOCUMENTS

CN	306613563	*	6/2020		
CN	306631095	*	6/2020		
CN	305957847	*	7/2020		
EM	007954987-0001	*	6/2020		
EM	008201792-0006	*	10/2020		
GB	6143868	*	6/2020		
GB	9008142319-0004	*	8/2020		
GB	2587214	A	*	3/2021 A63H 33/06
WO	WO-0168210	A2	*	9/2001 A63H 33/08

* cited by examiner

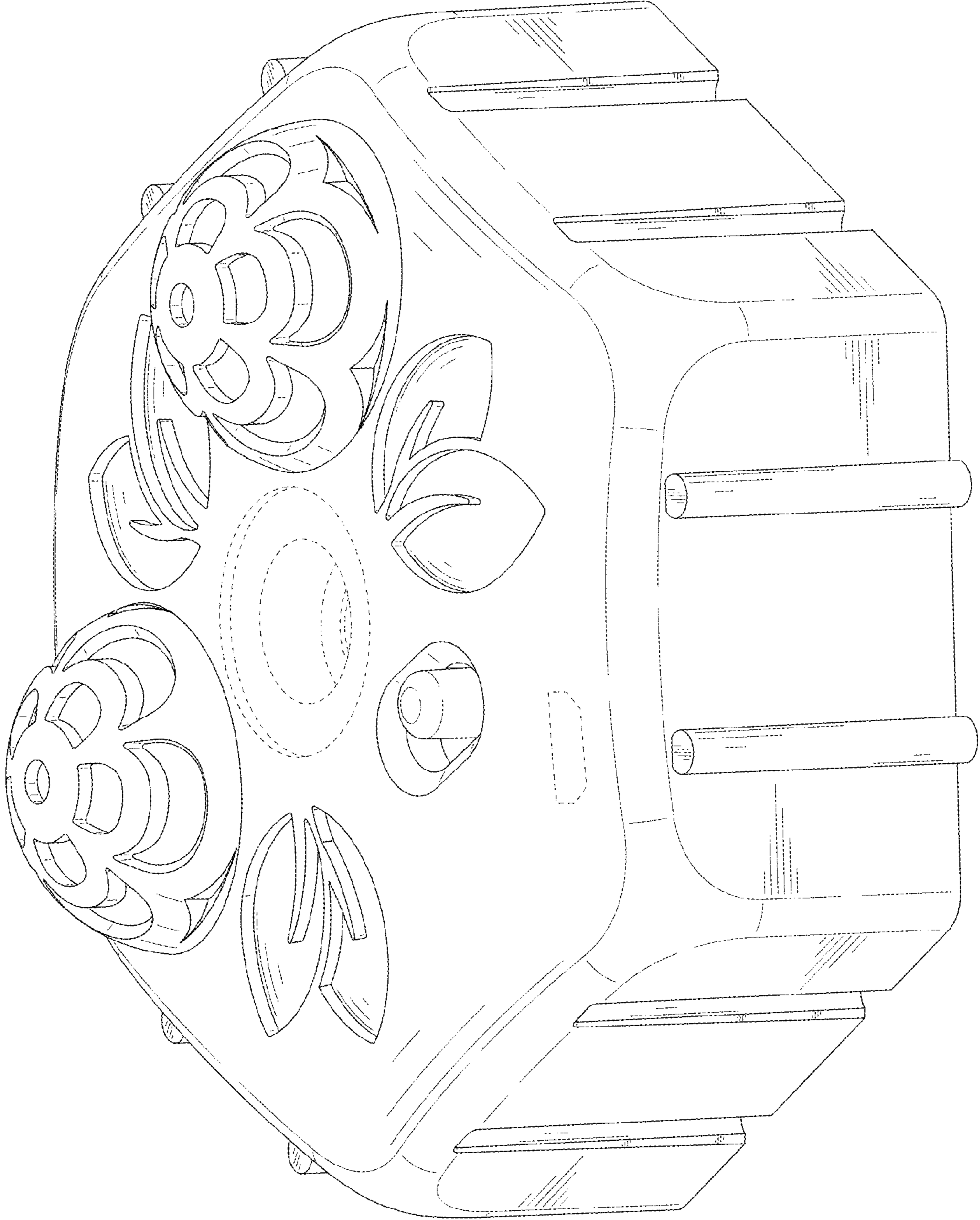


FIG. 1

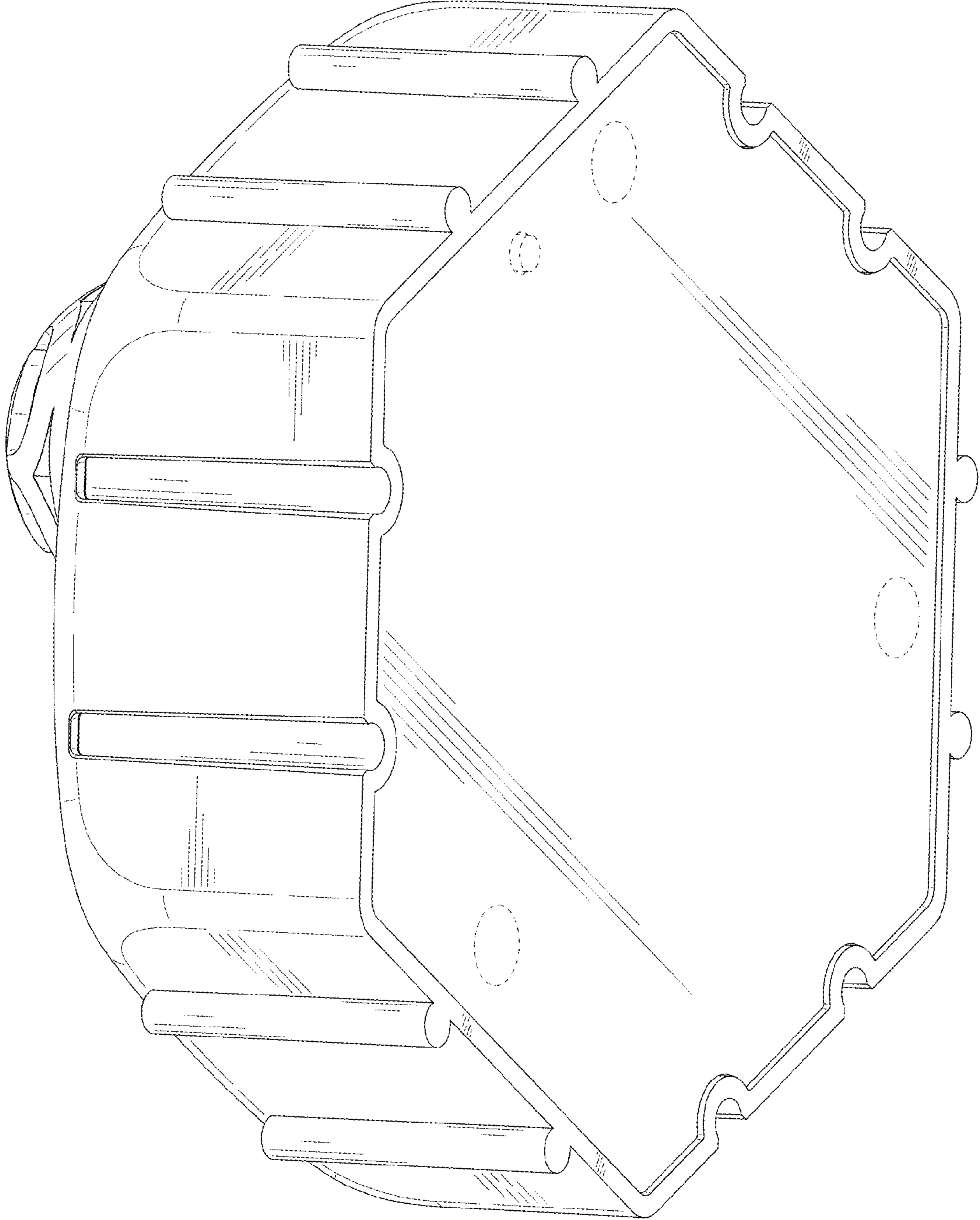


FIG. 2

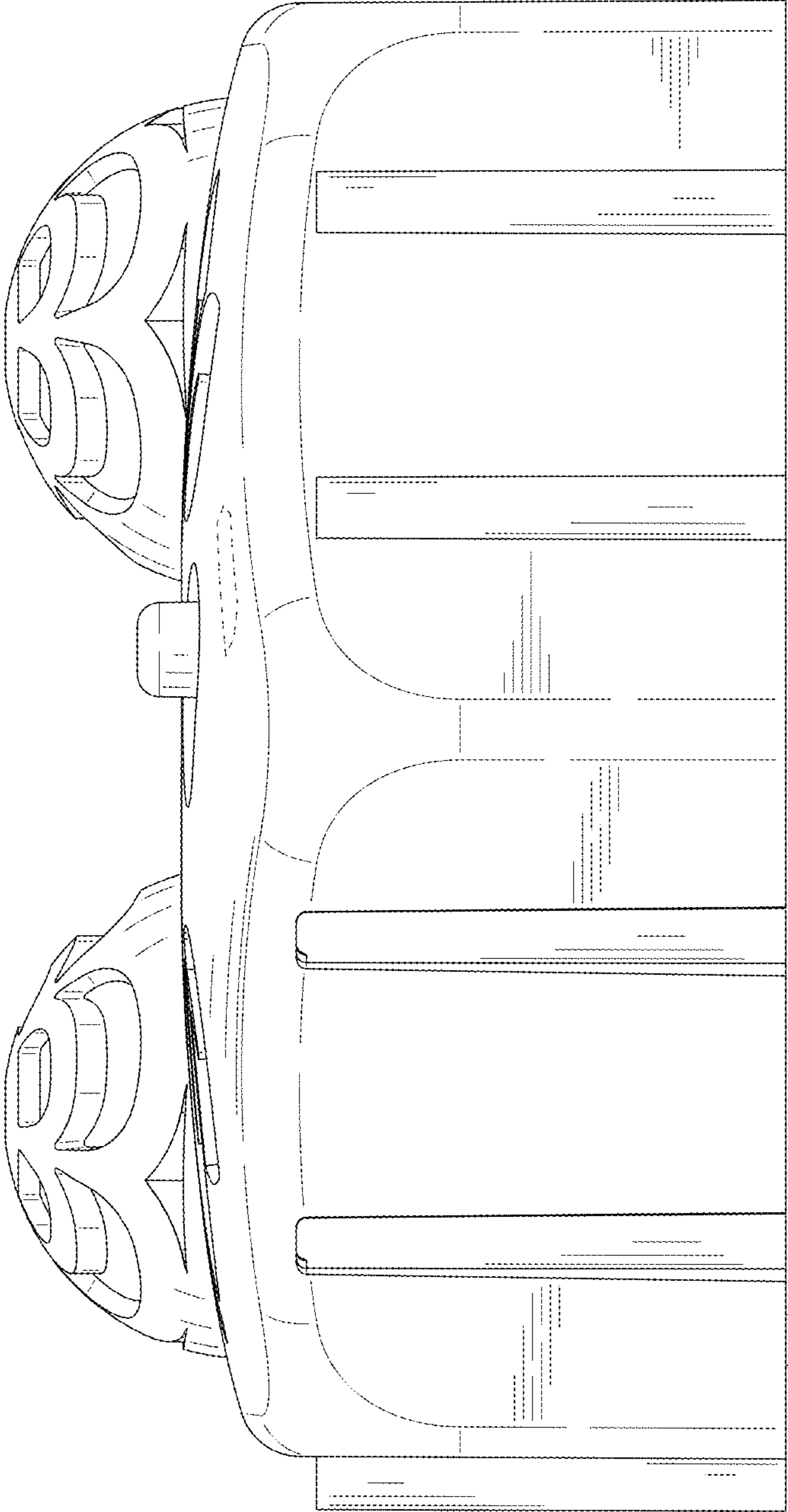


FIG. 3

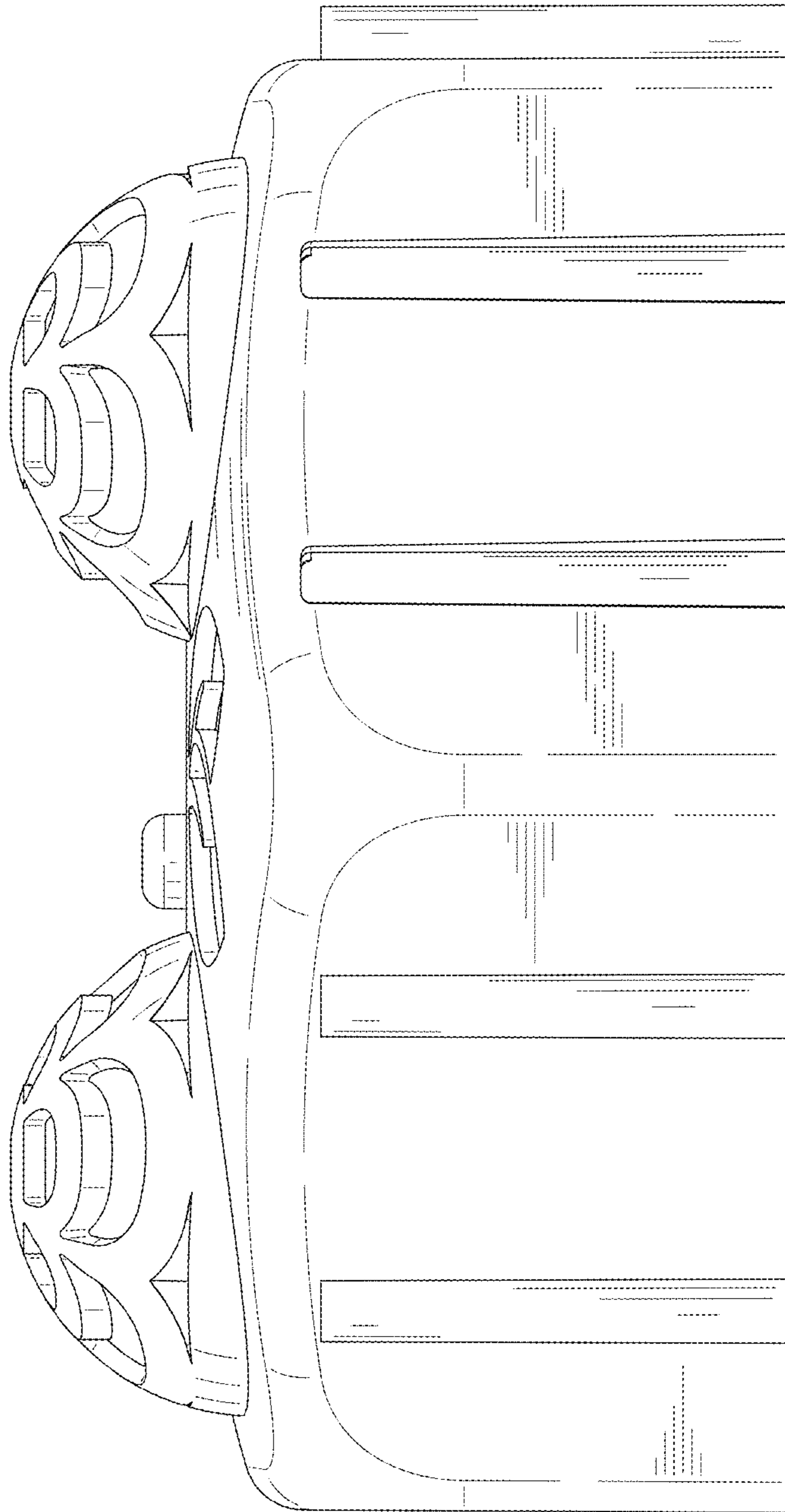


FIG. 4

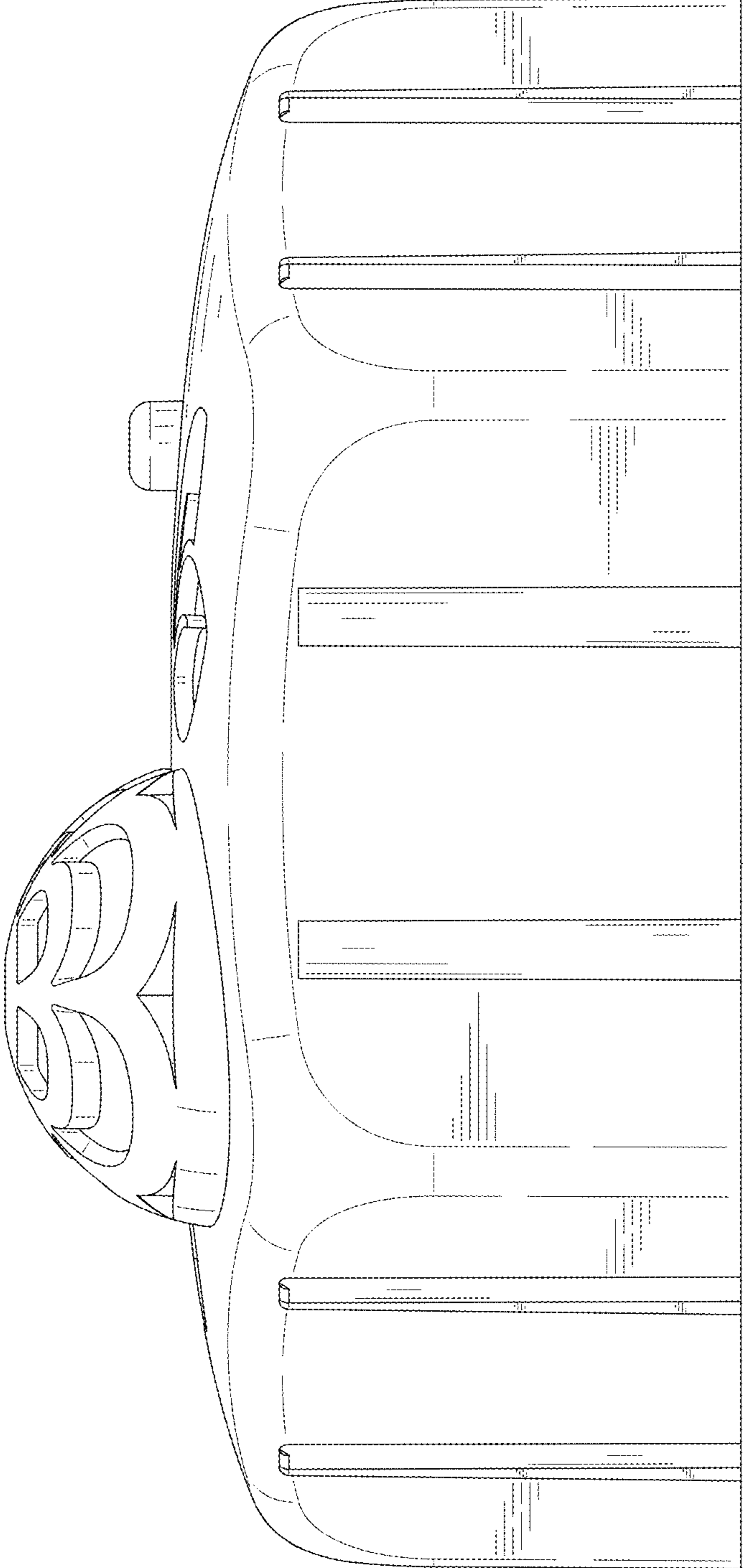


FIG. 5

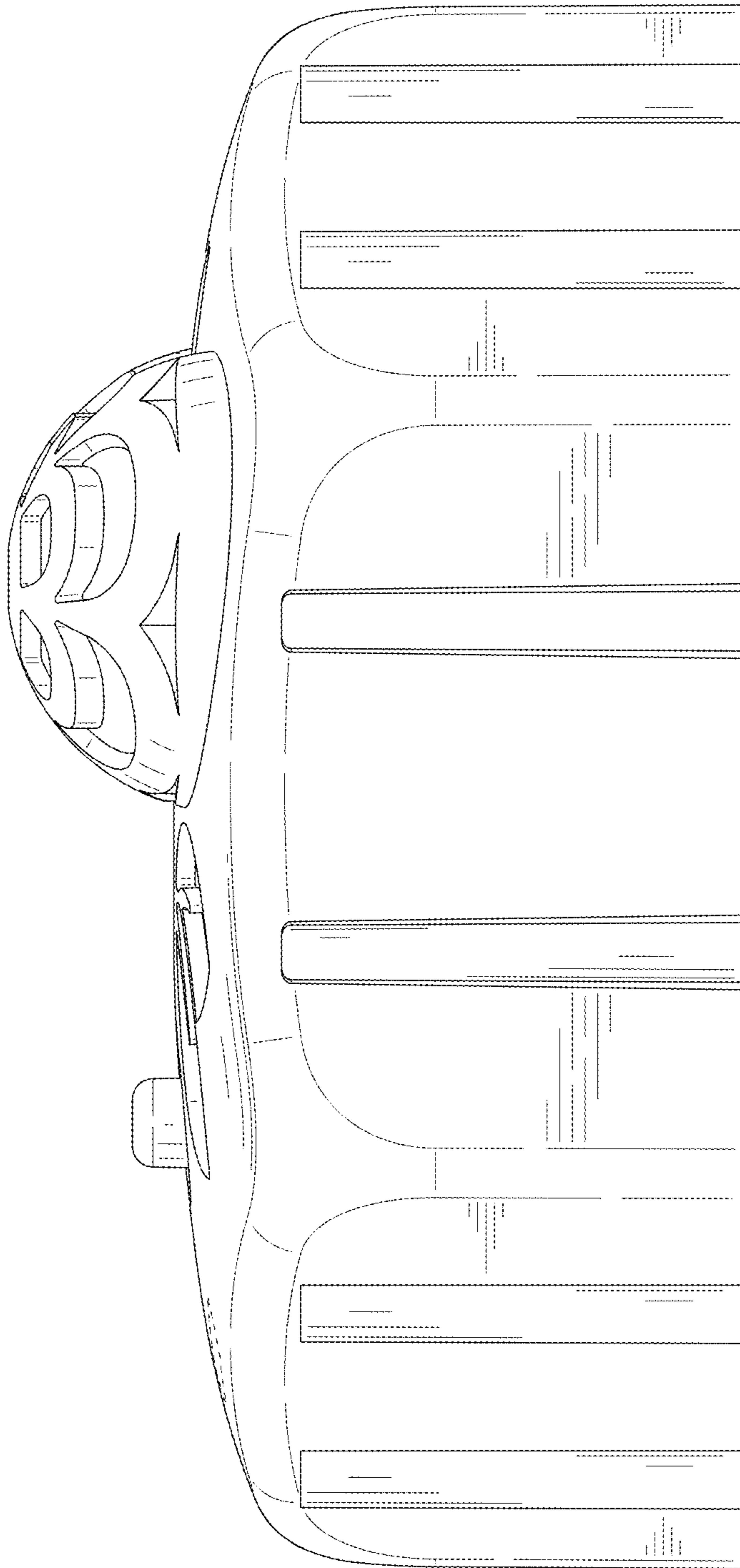


FIG. 6

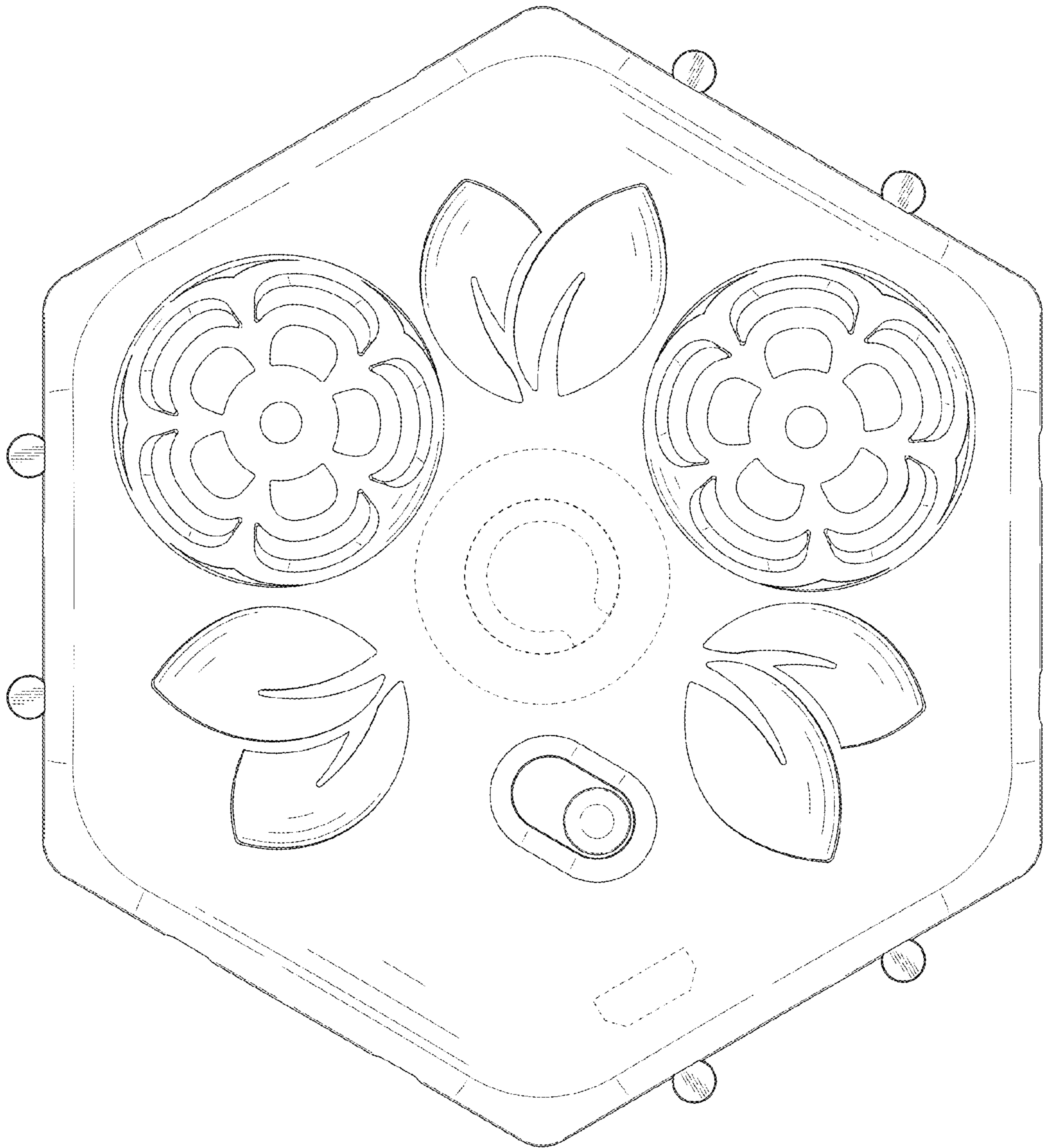


FIG. 7

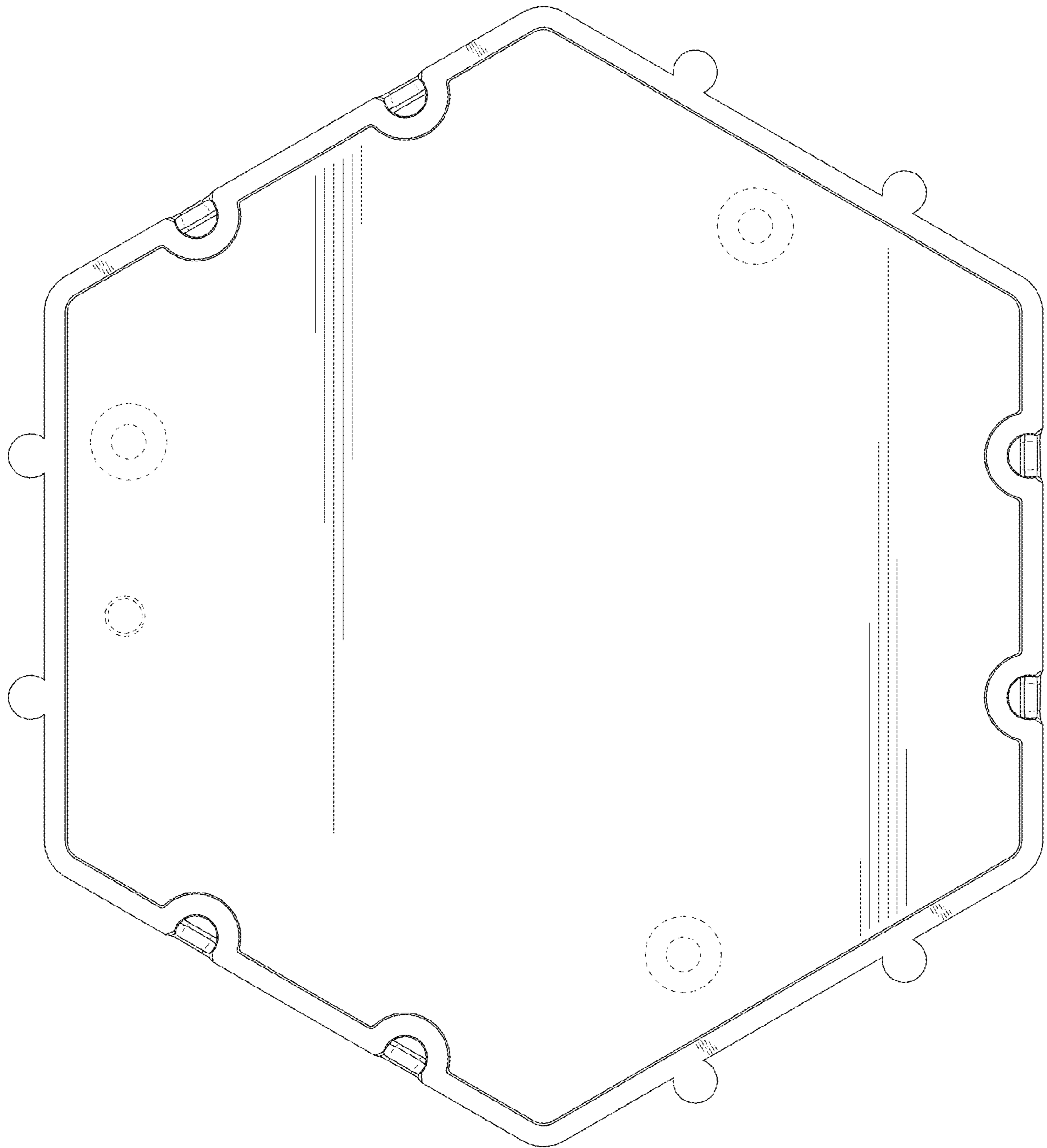


FIG. 8

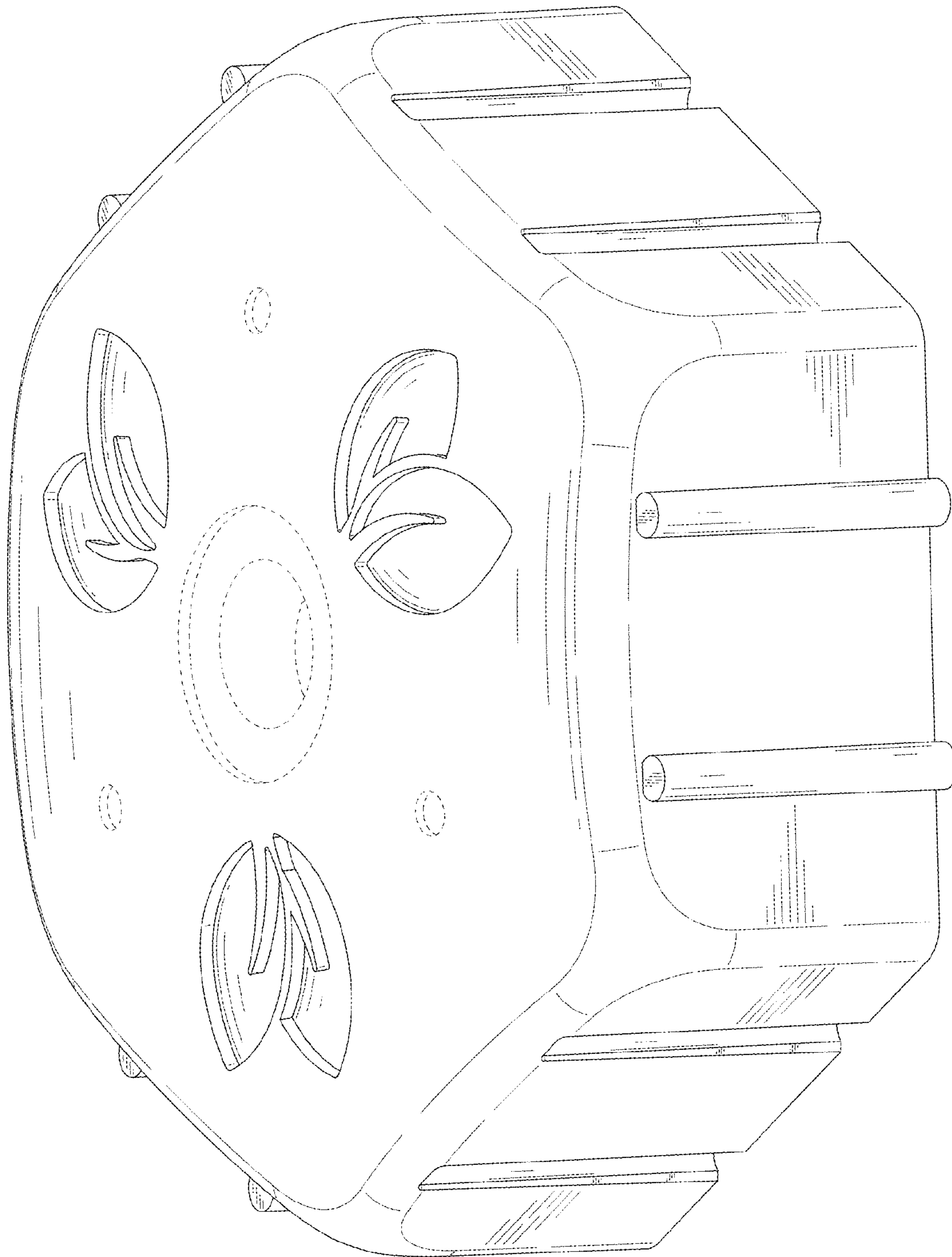


FIG. 9

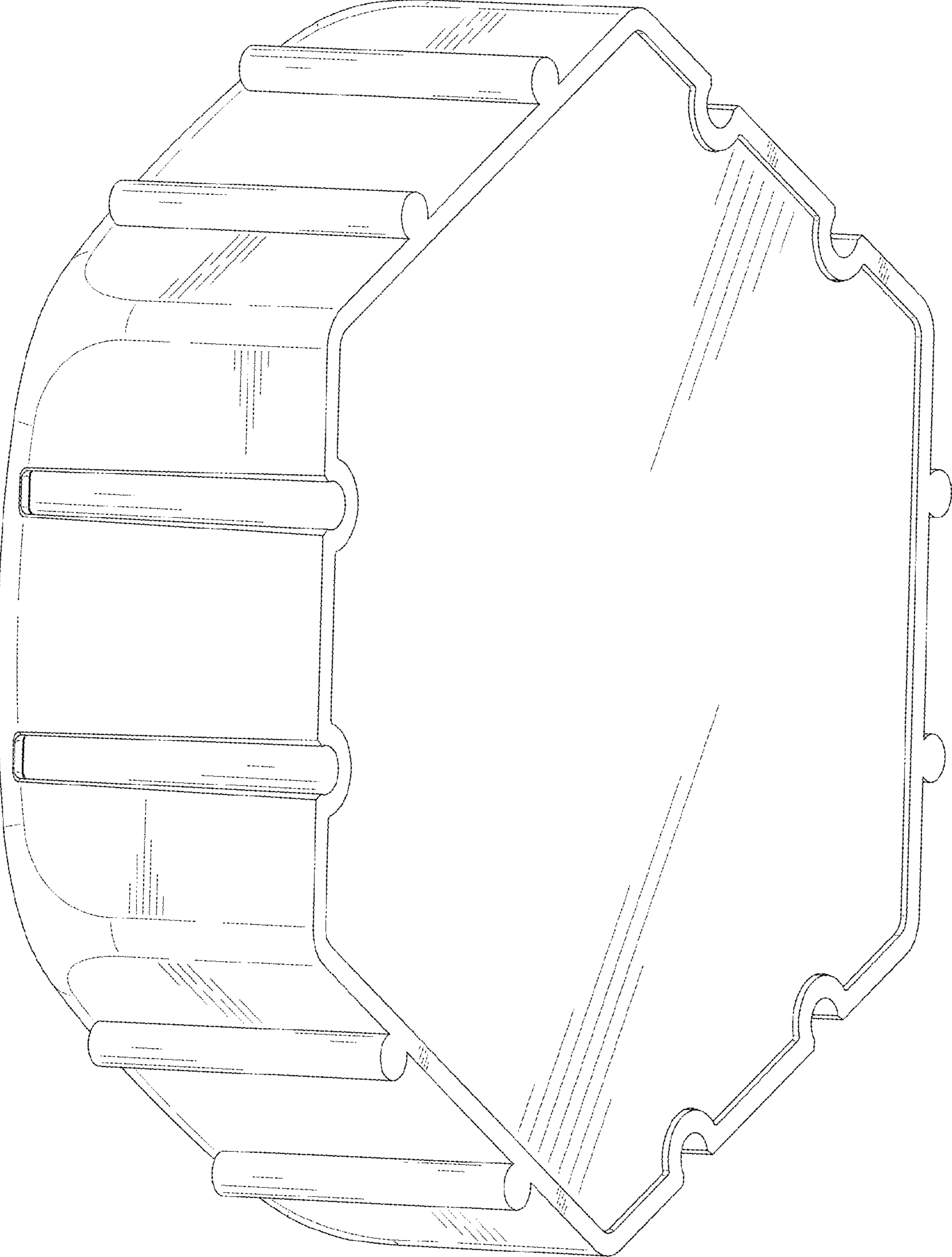


FIG. 10

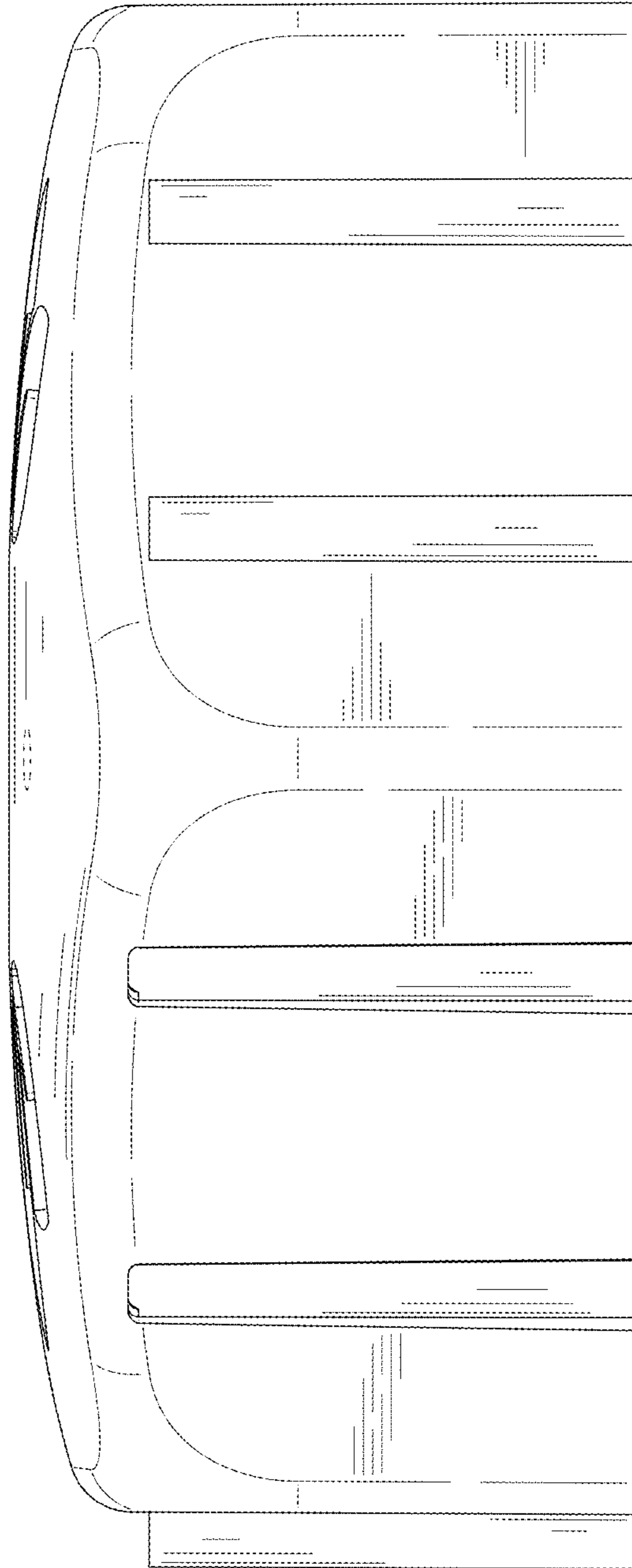


FIG. 11

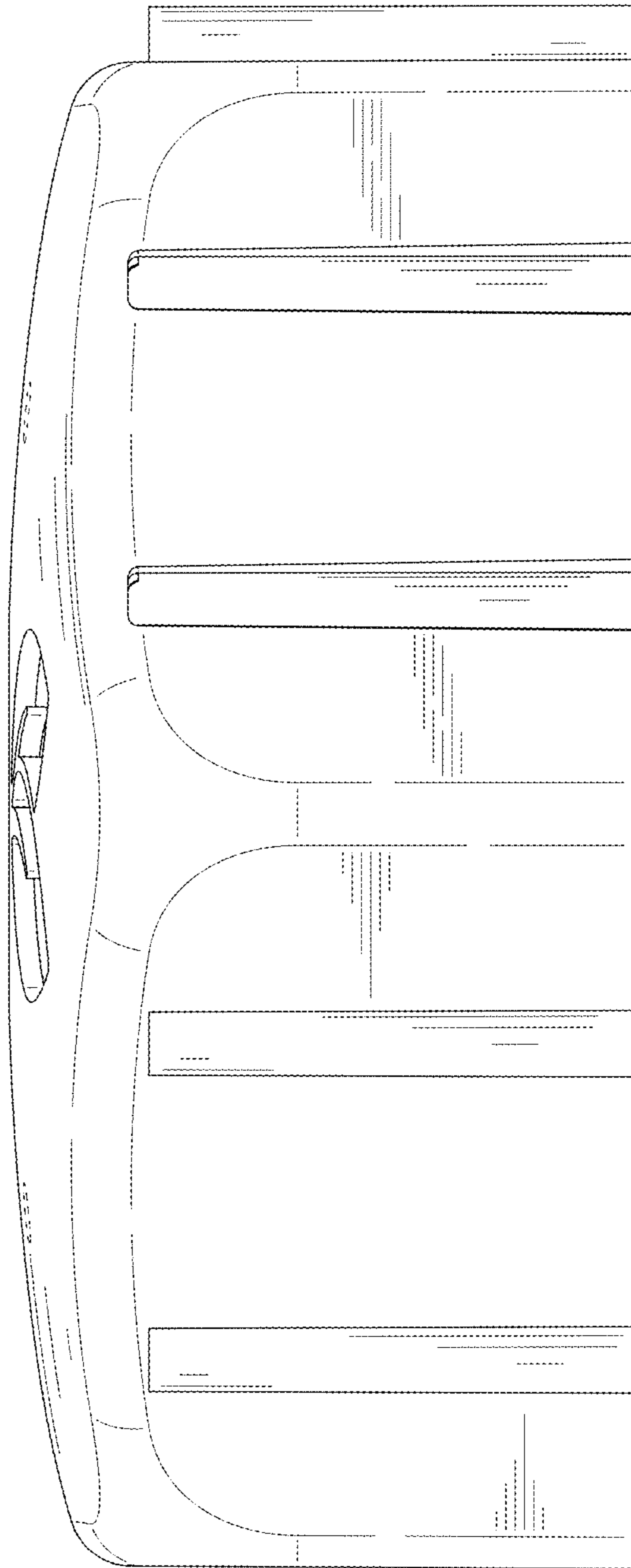


FIG. 12

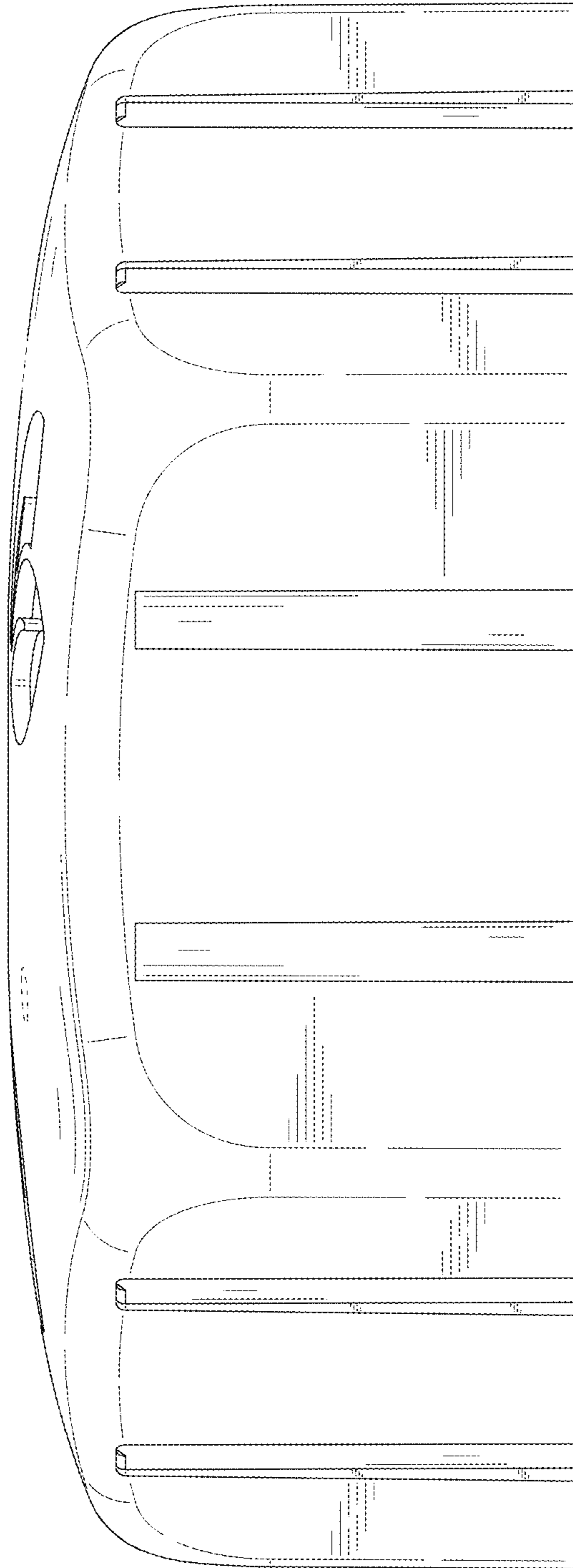


FIG. 13

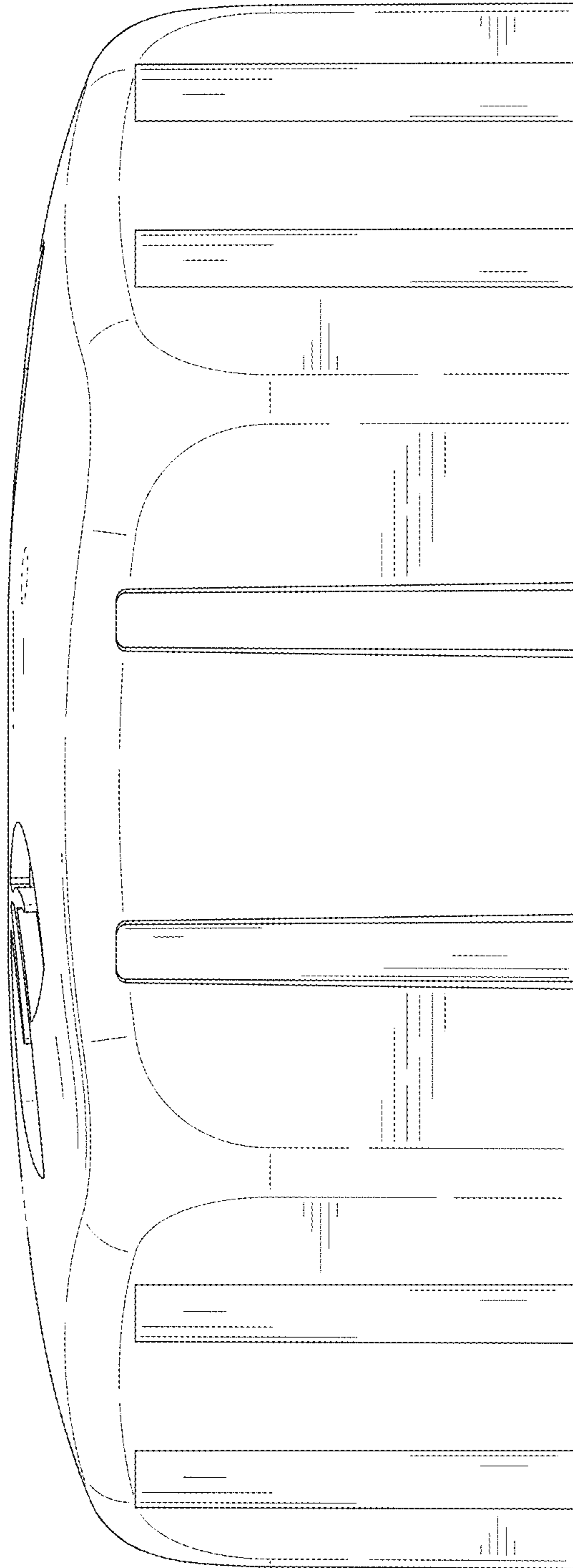


FIG. 14

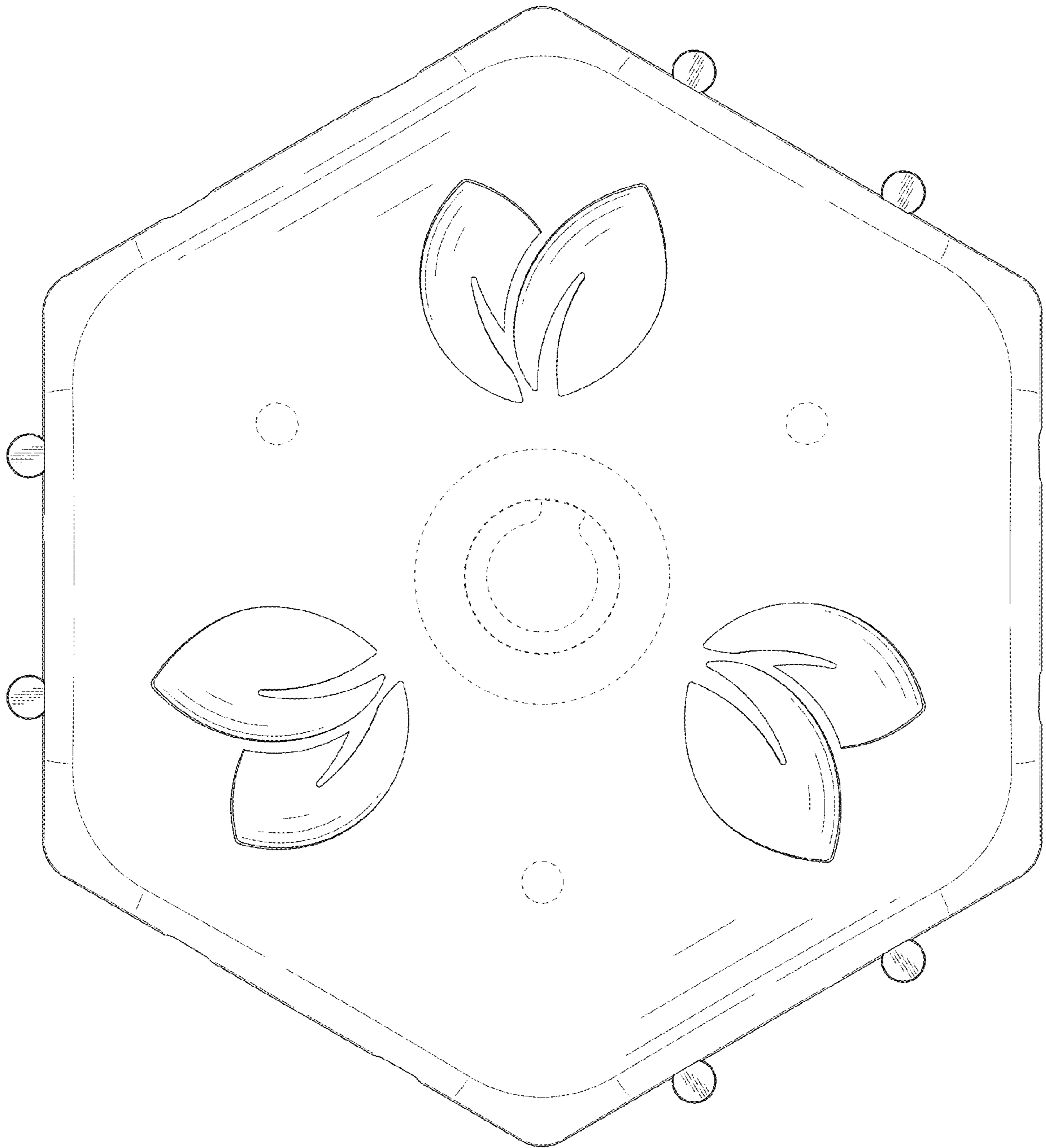


FIG. 15

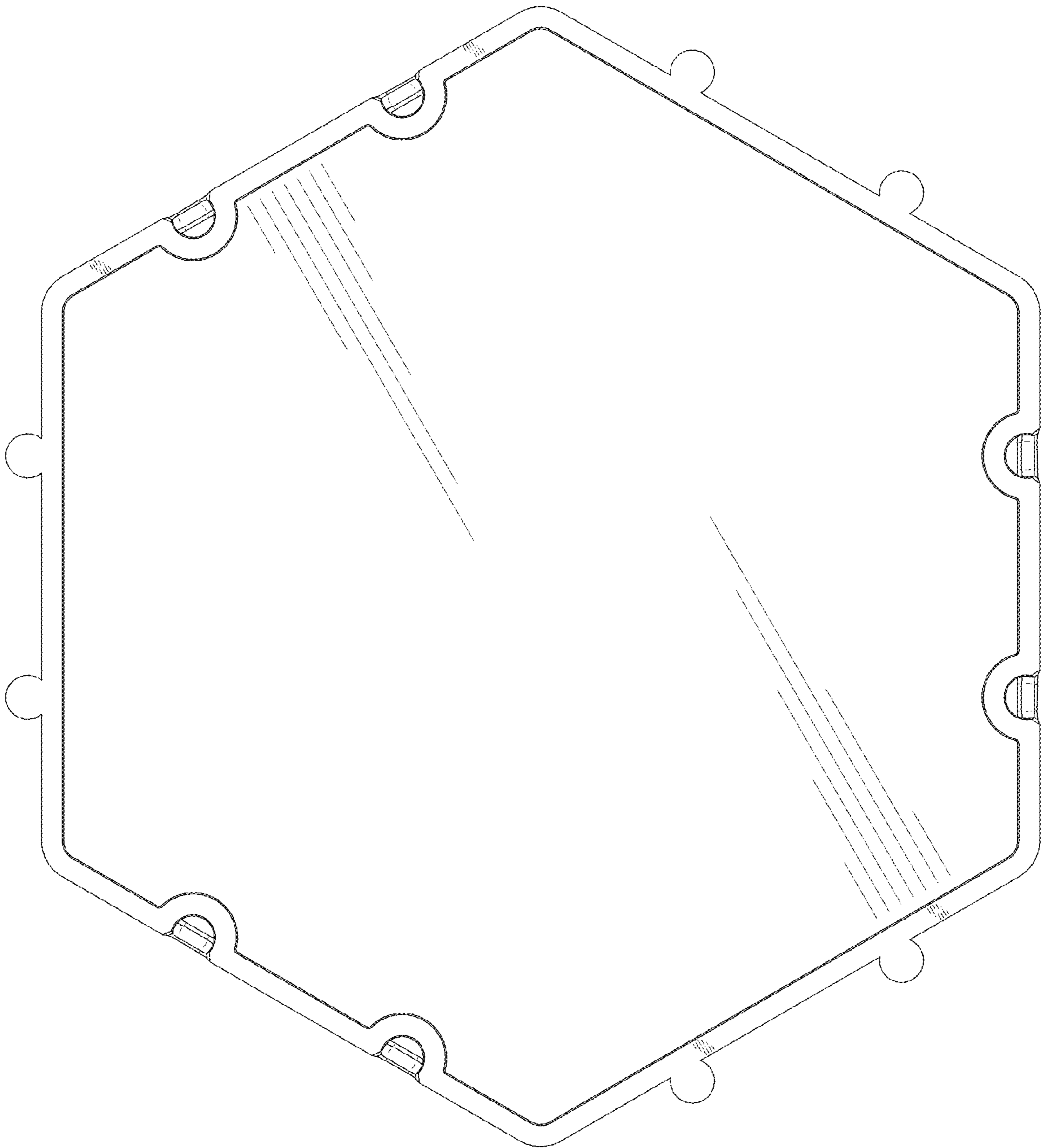


FIG. 16

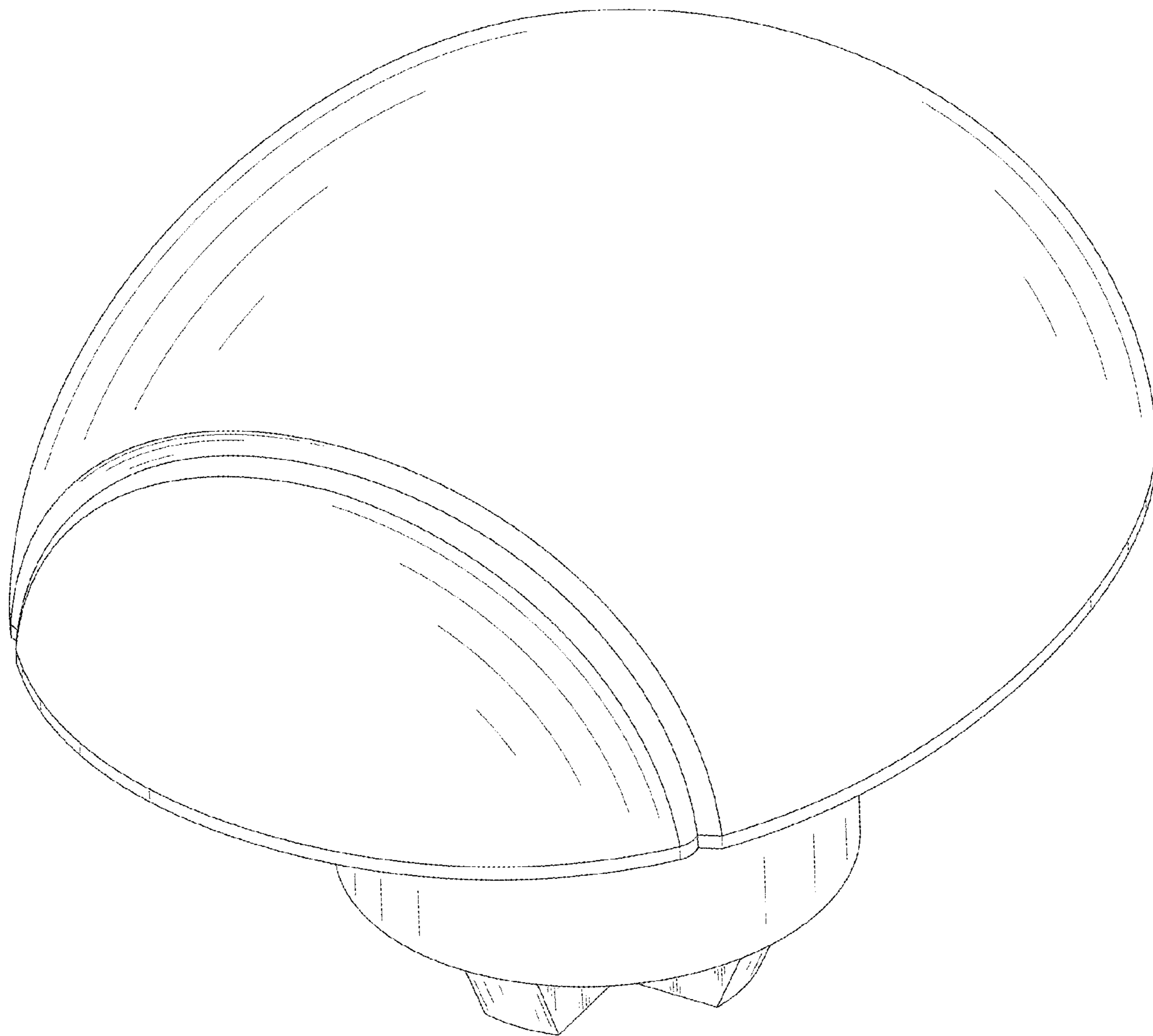


FIG. 17

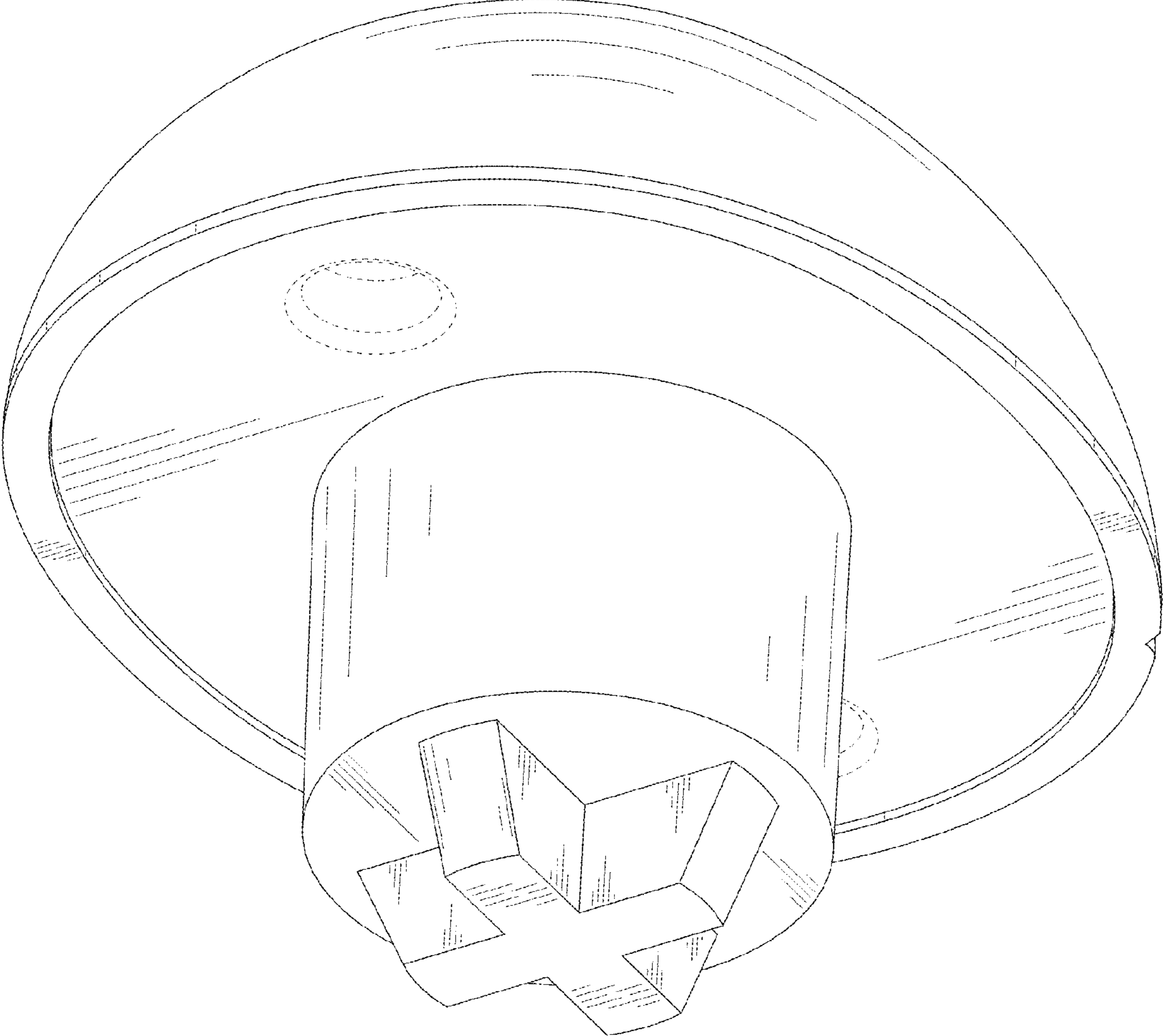


FIG. 18

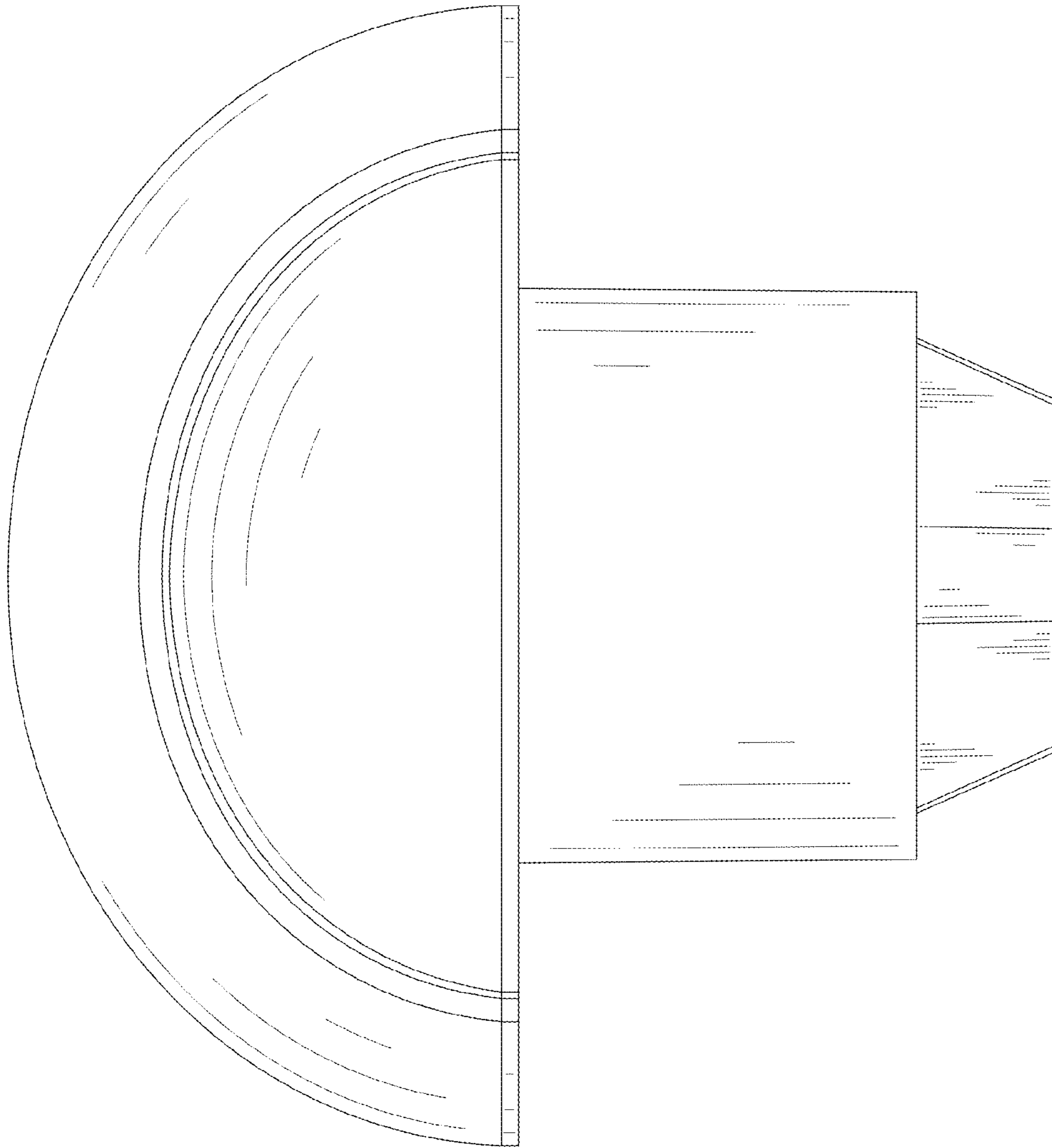


FIG. 19

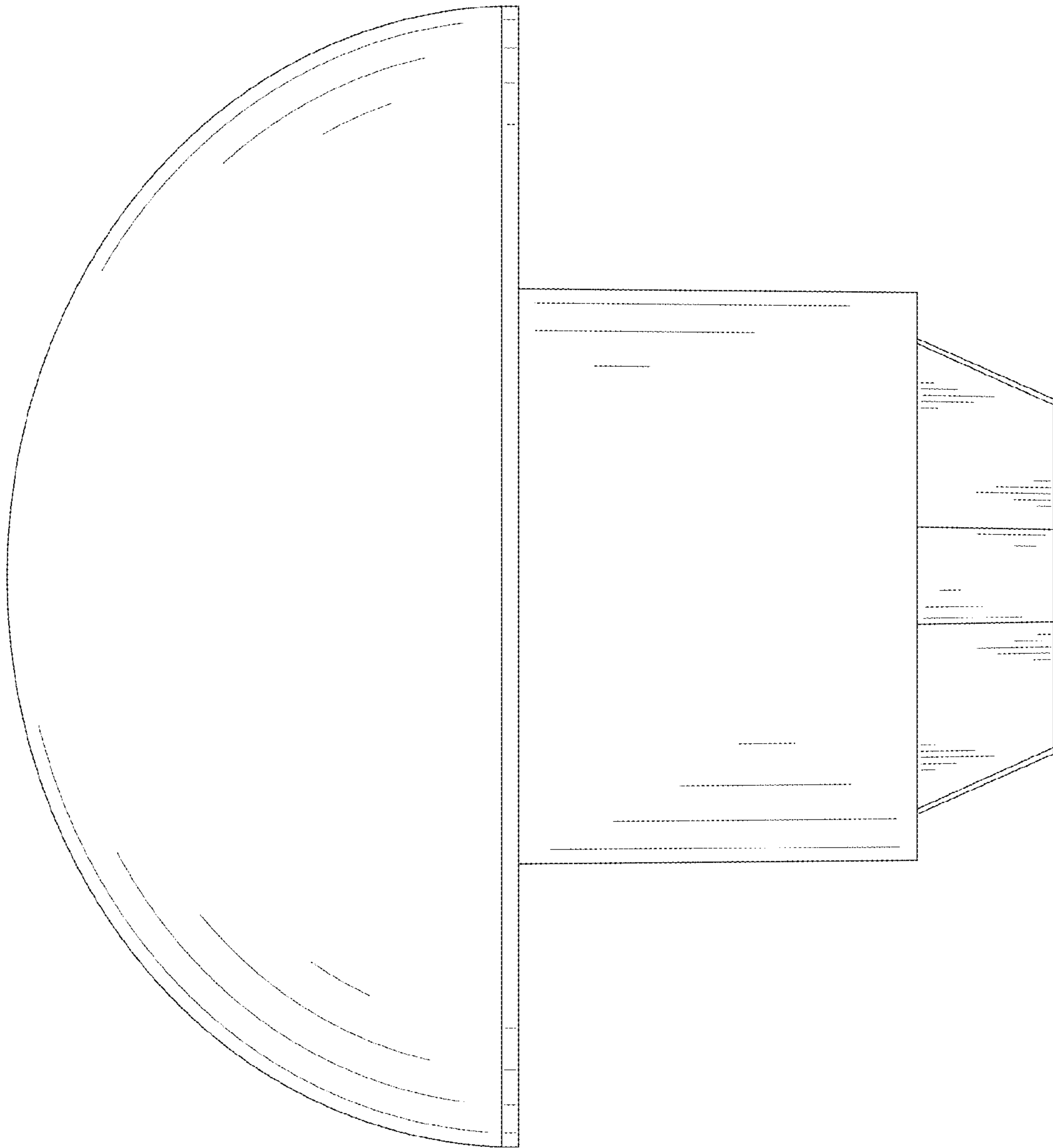


FIG. 20

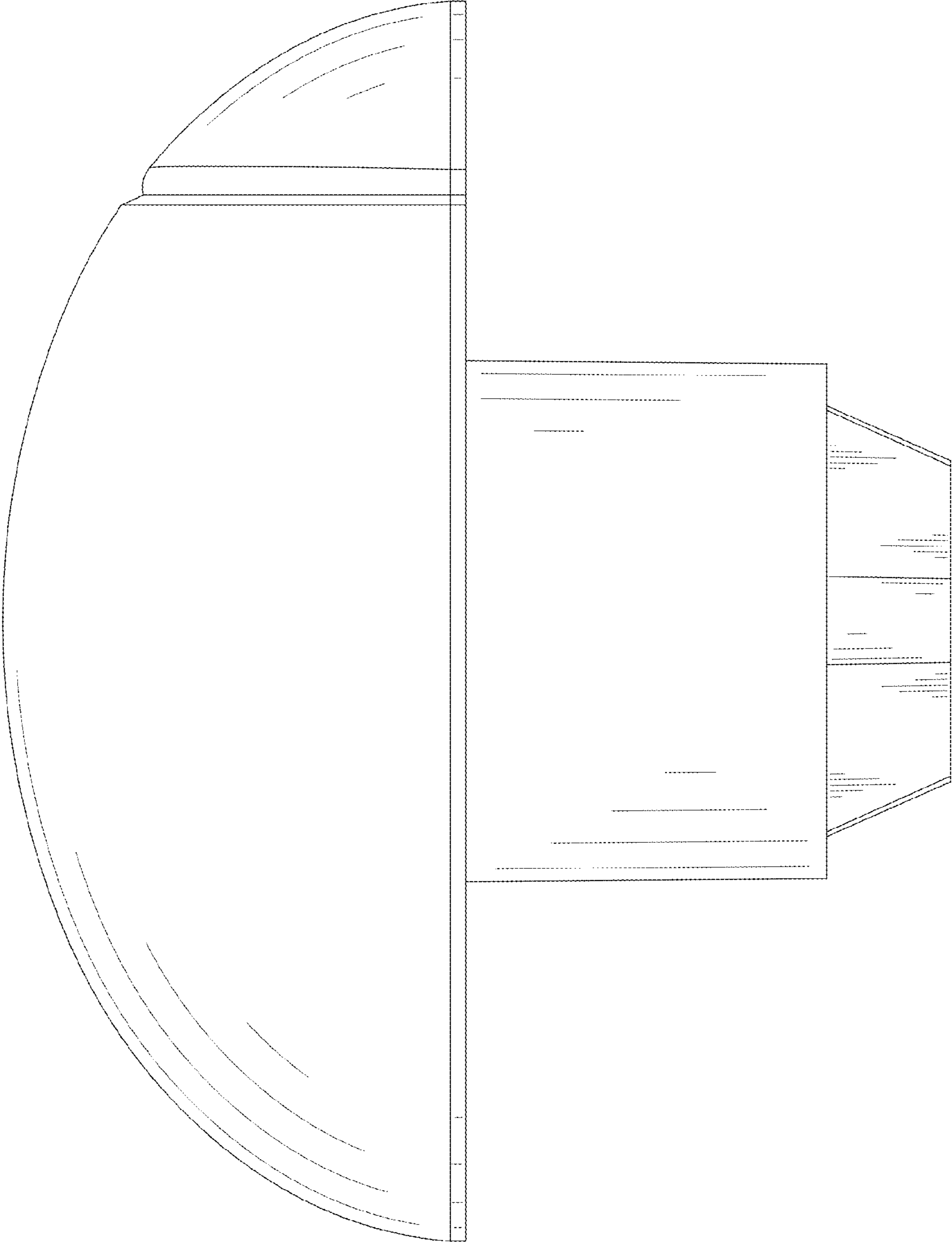


FIG. 21

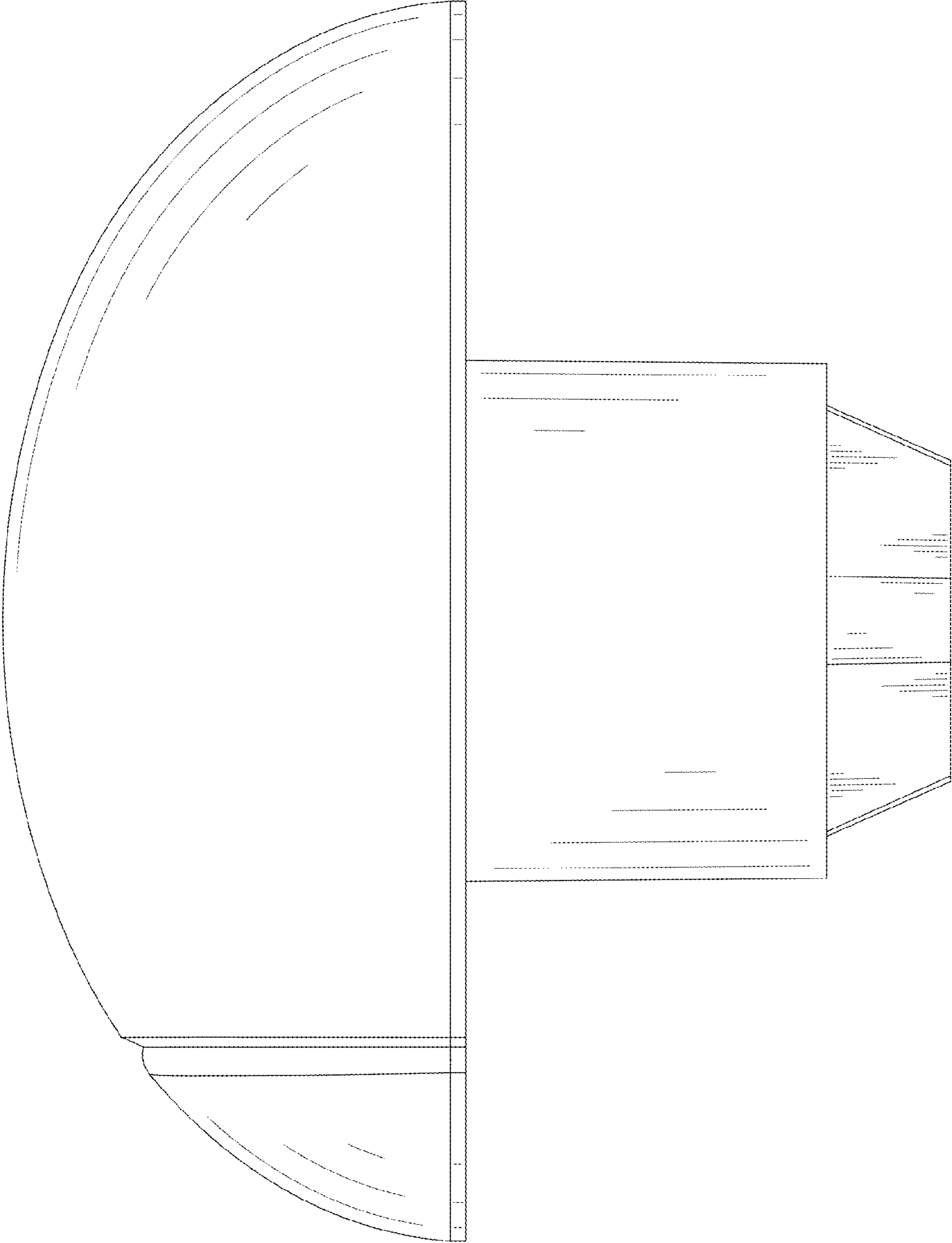


FIG. 22

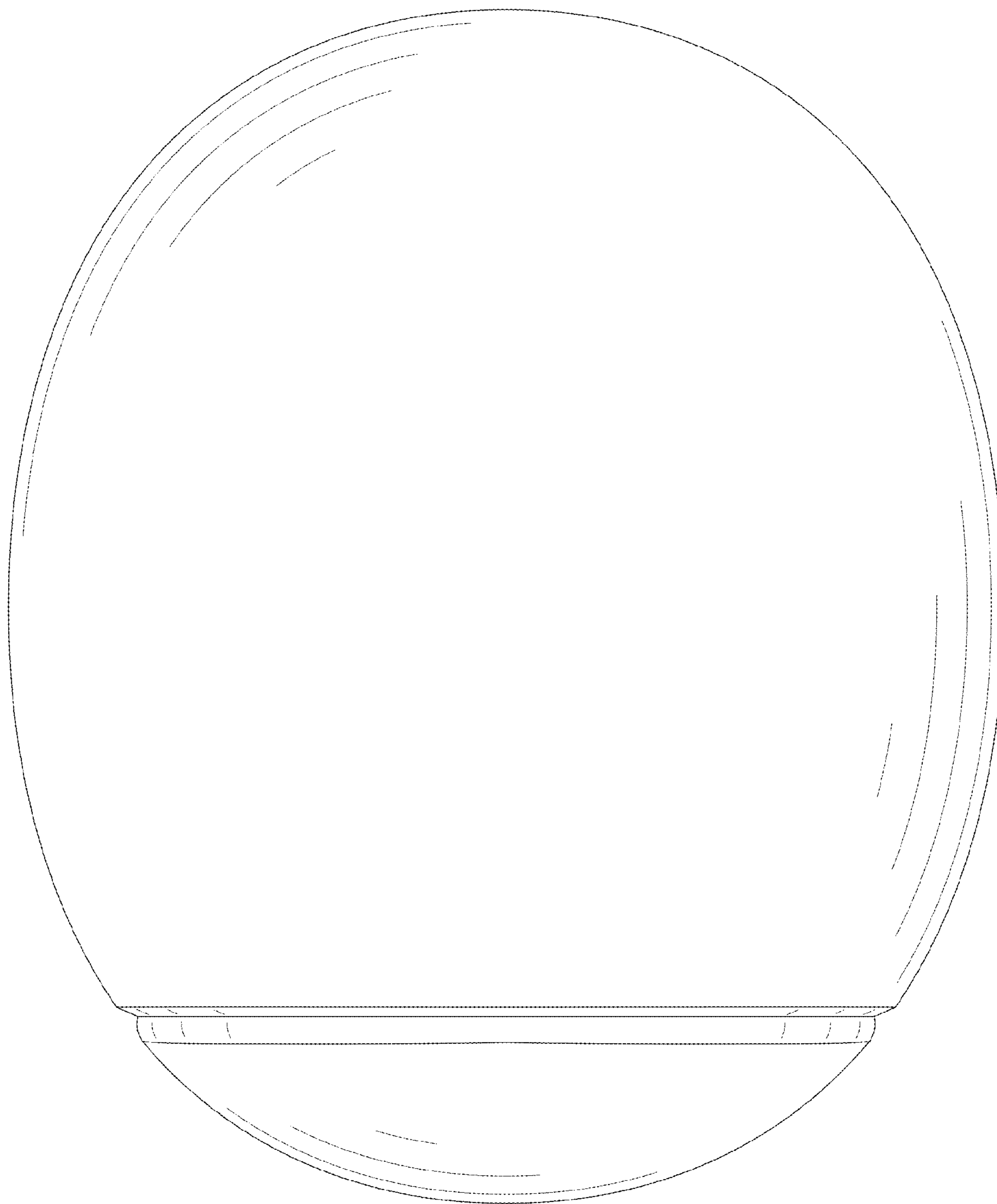


FIG. 23

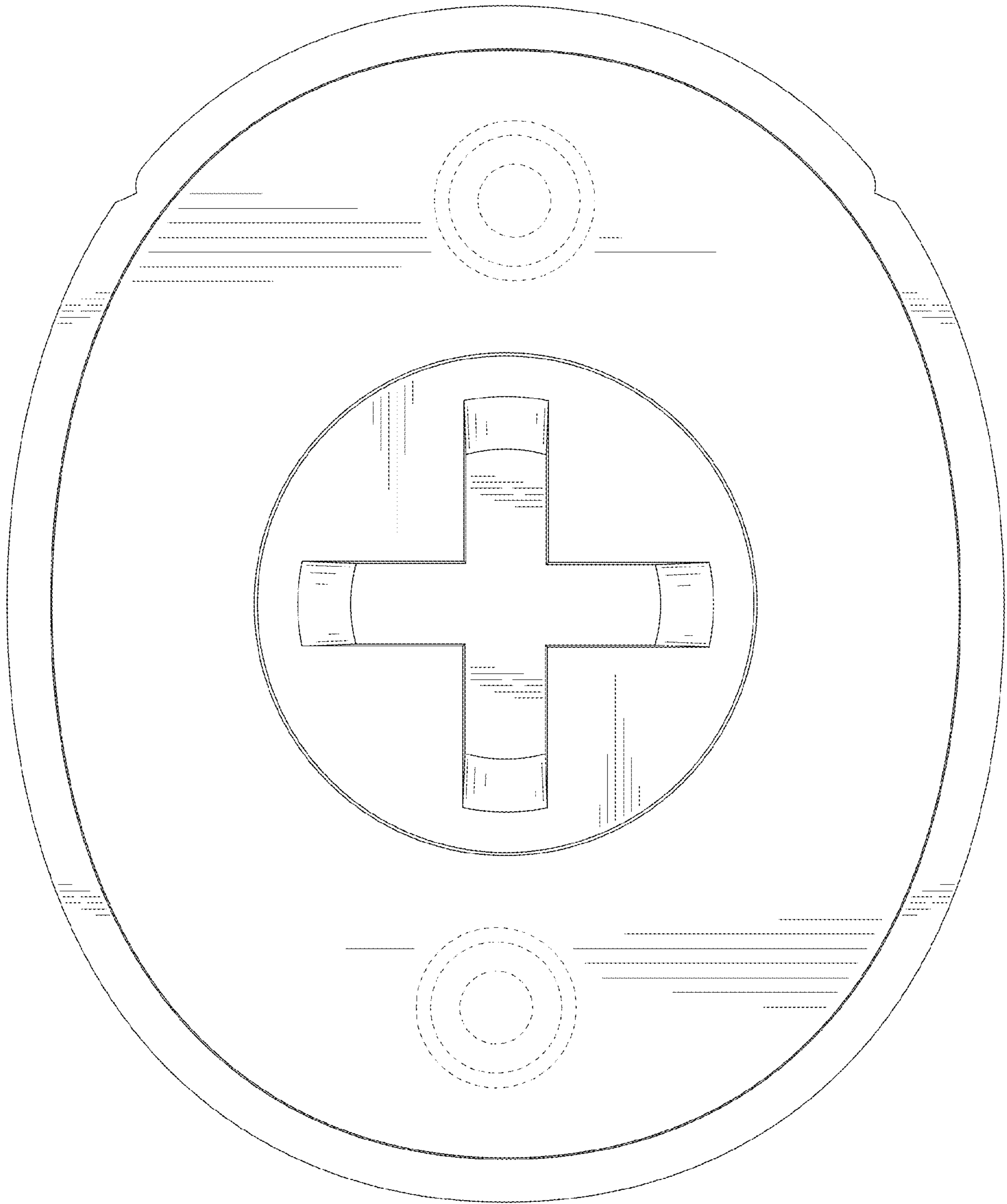


FIG. 24

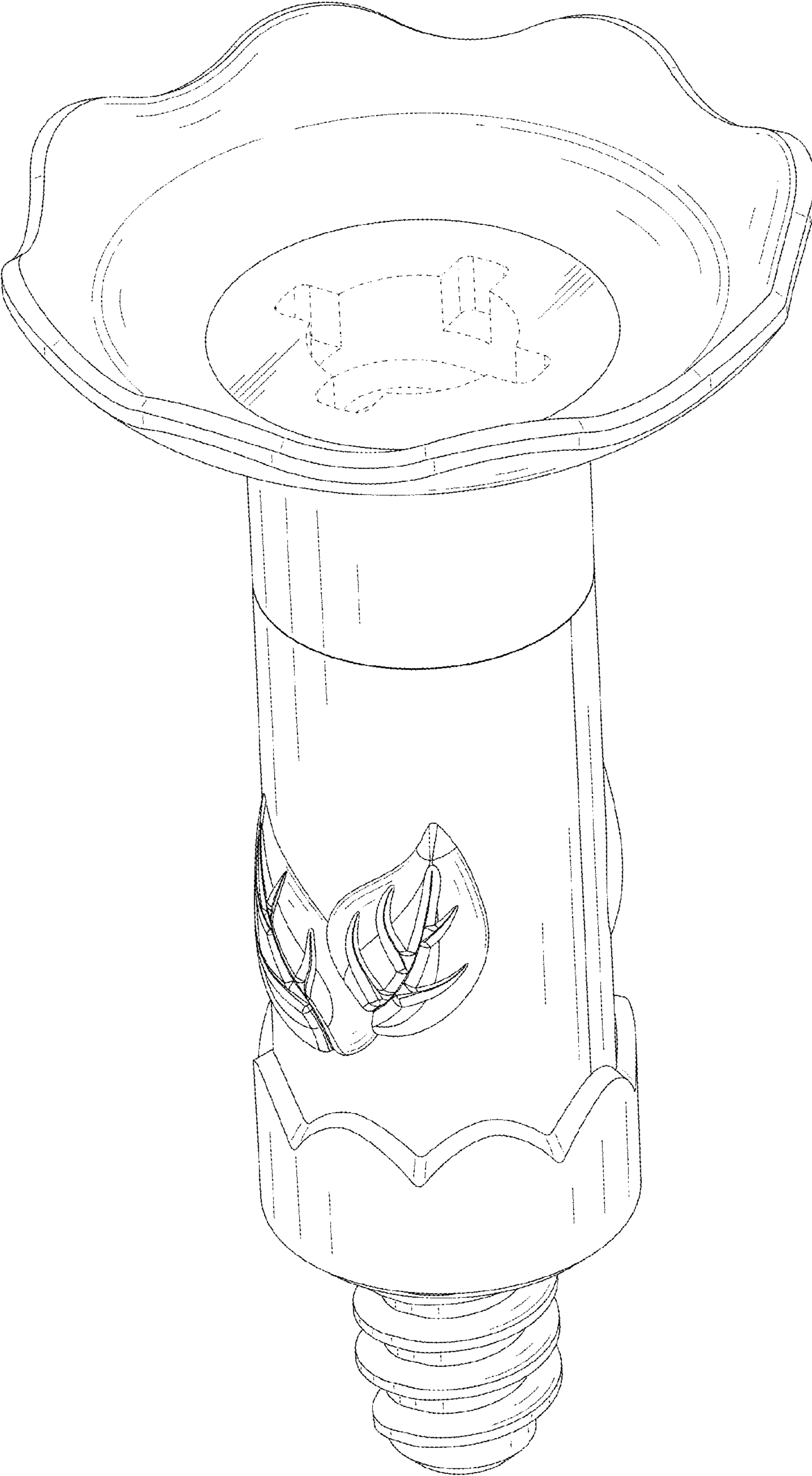


FIG. 25

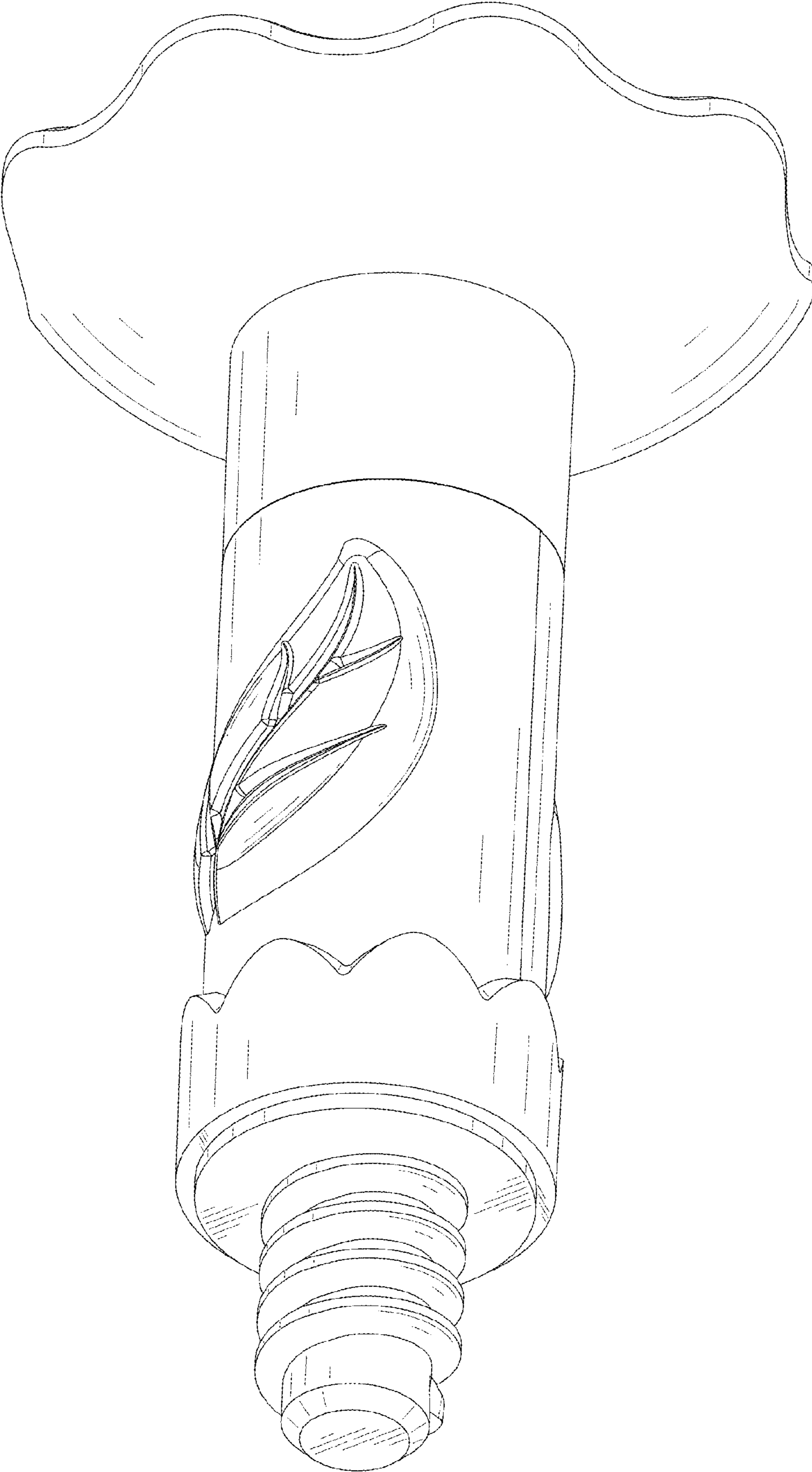


FIG. 26

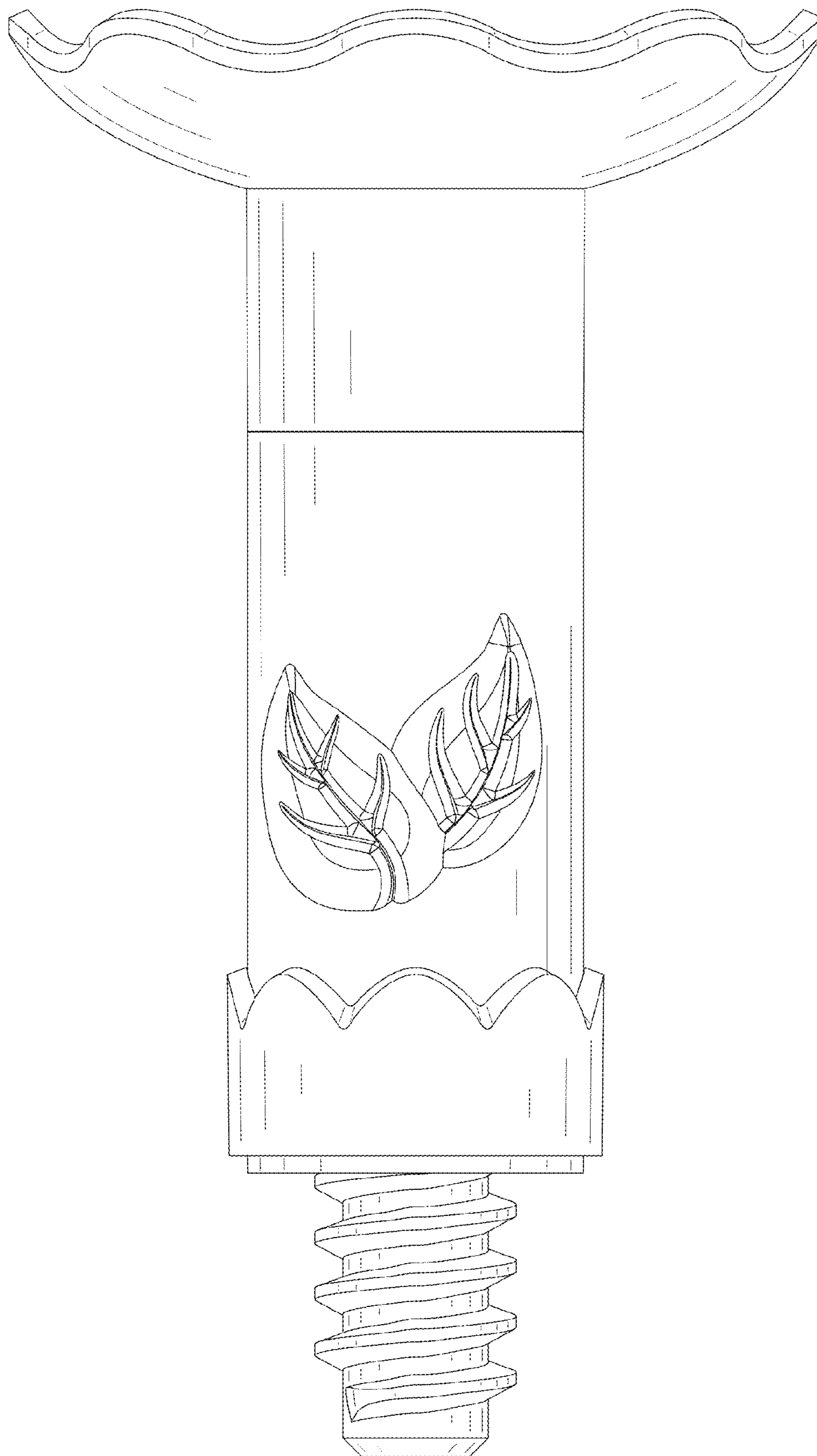


FIG. 27

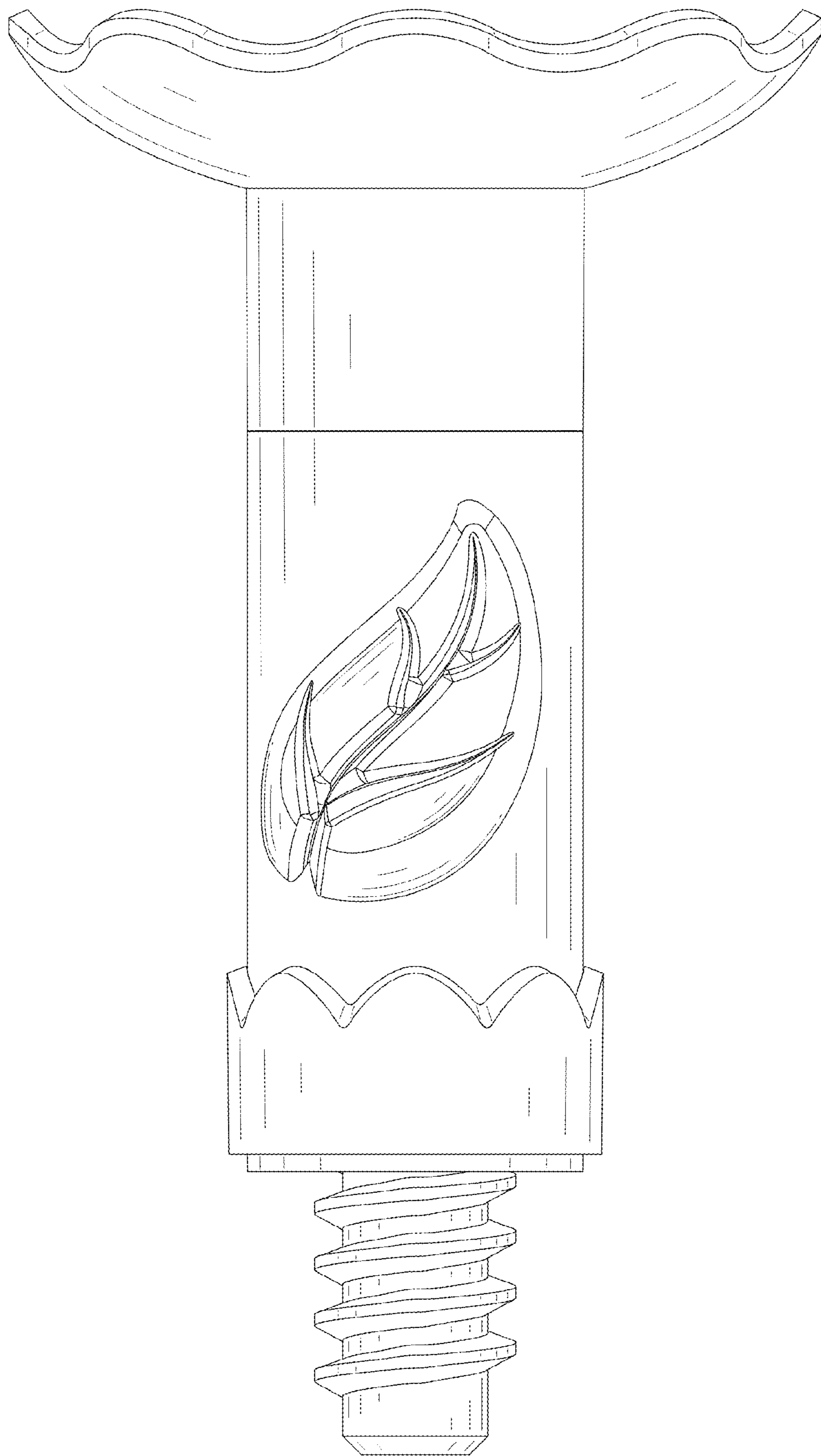


FIG. 28

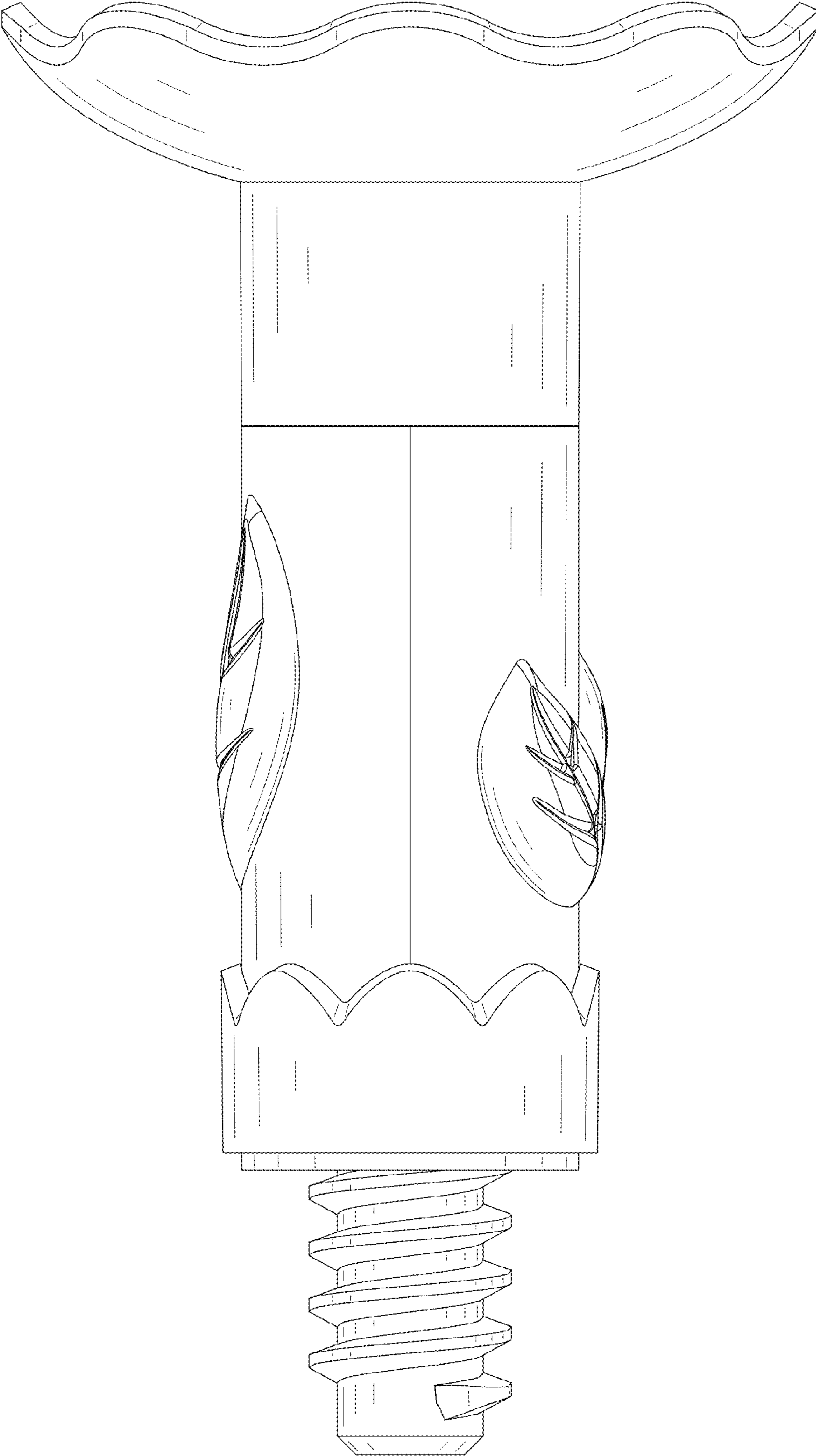


FIG. 29

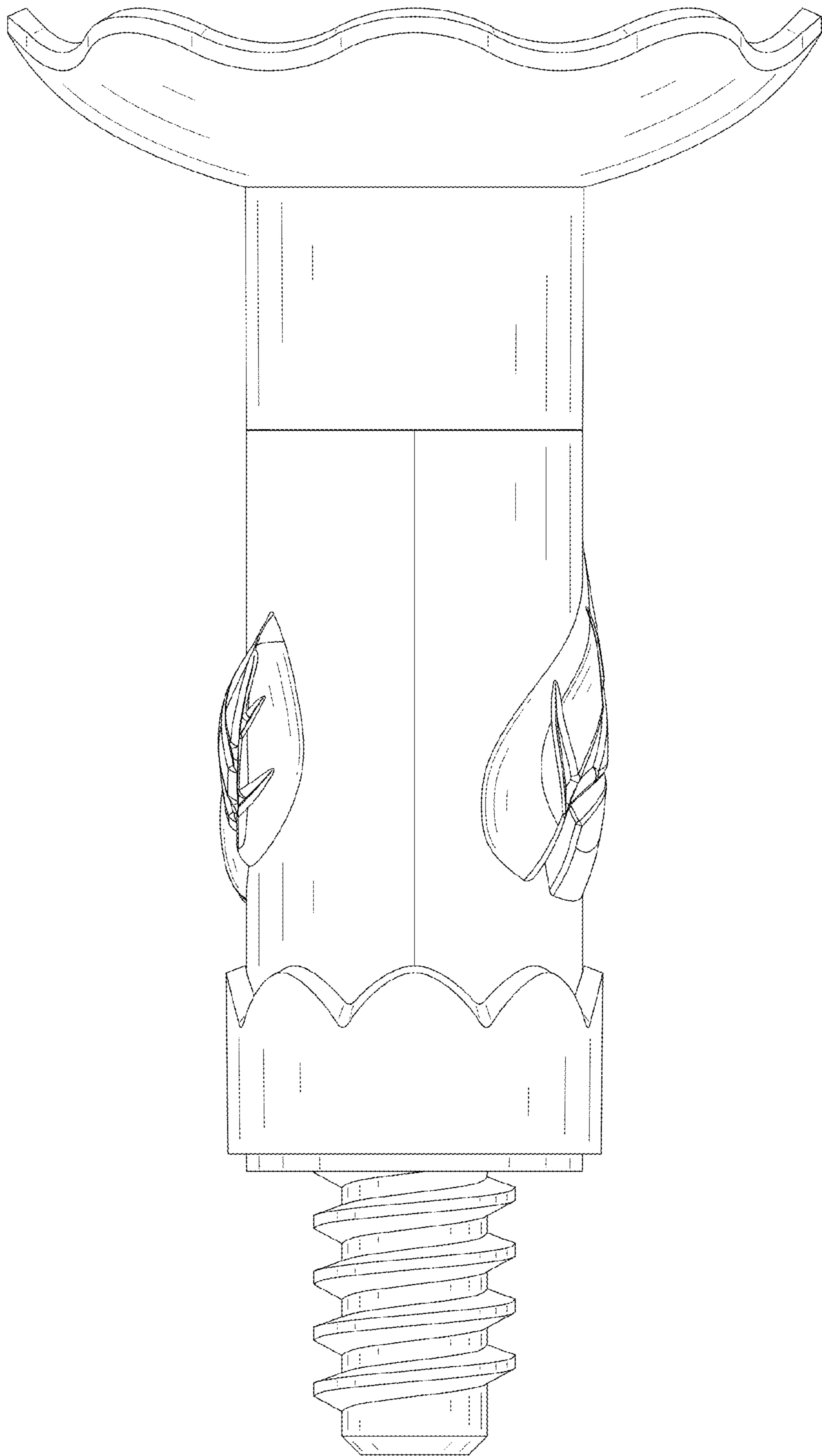


FIG. 30

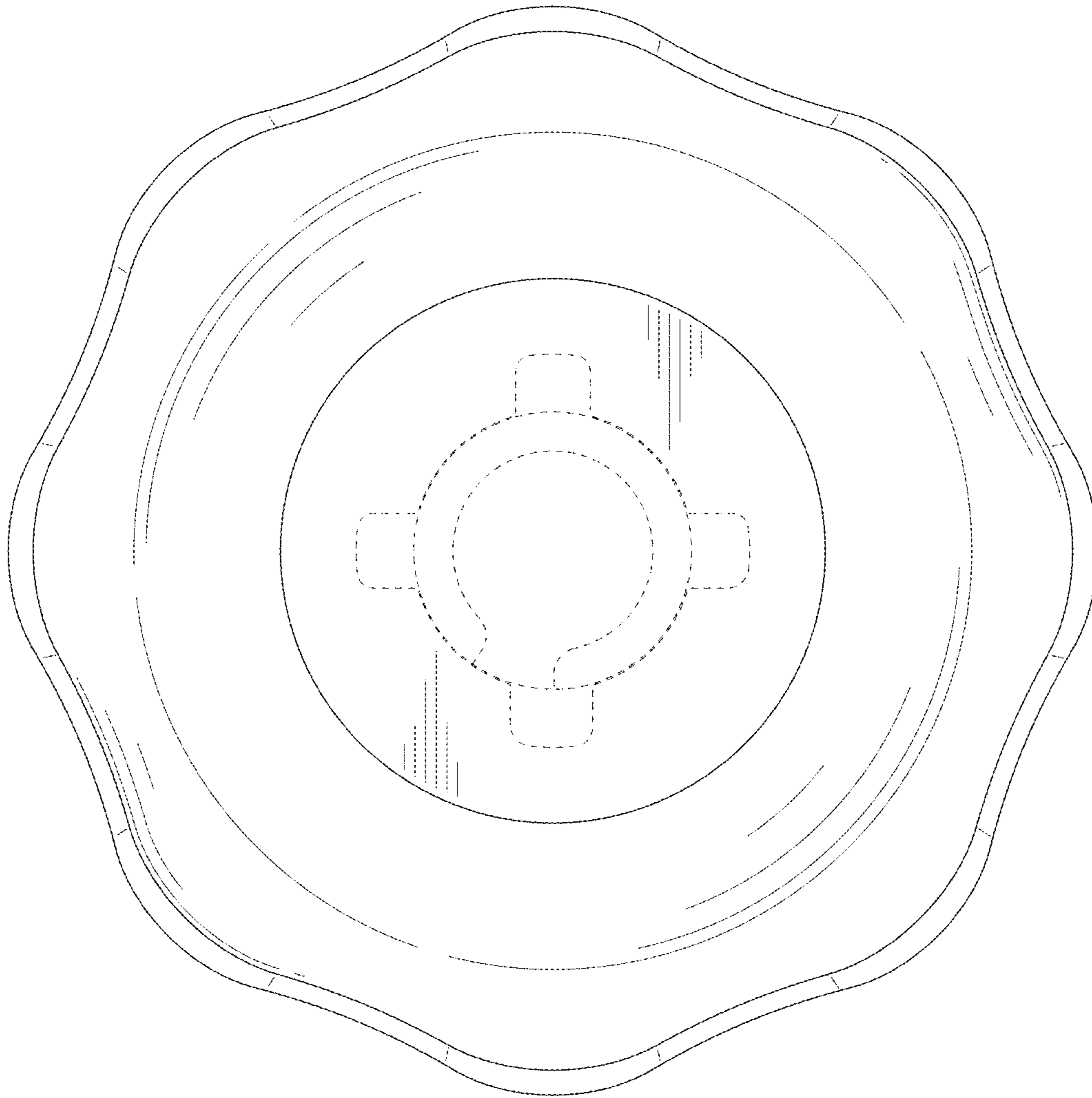


FIG. 31

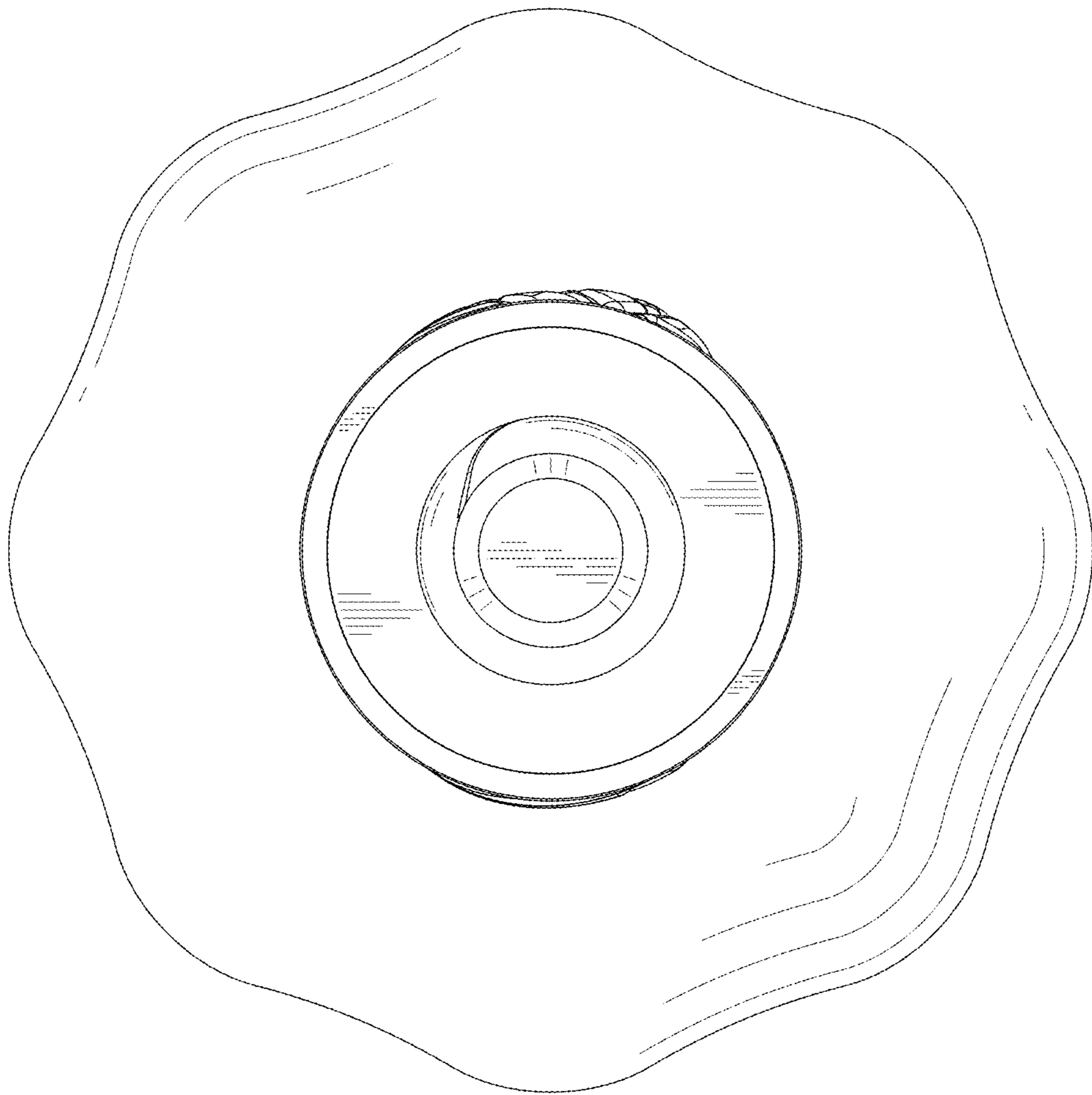


FIG. 32

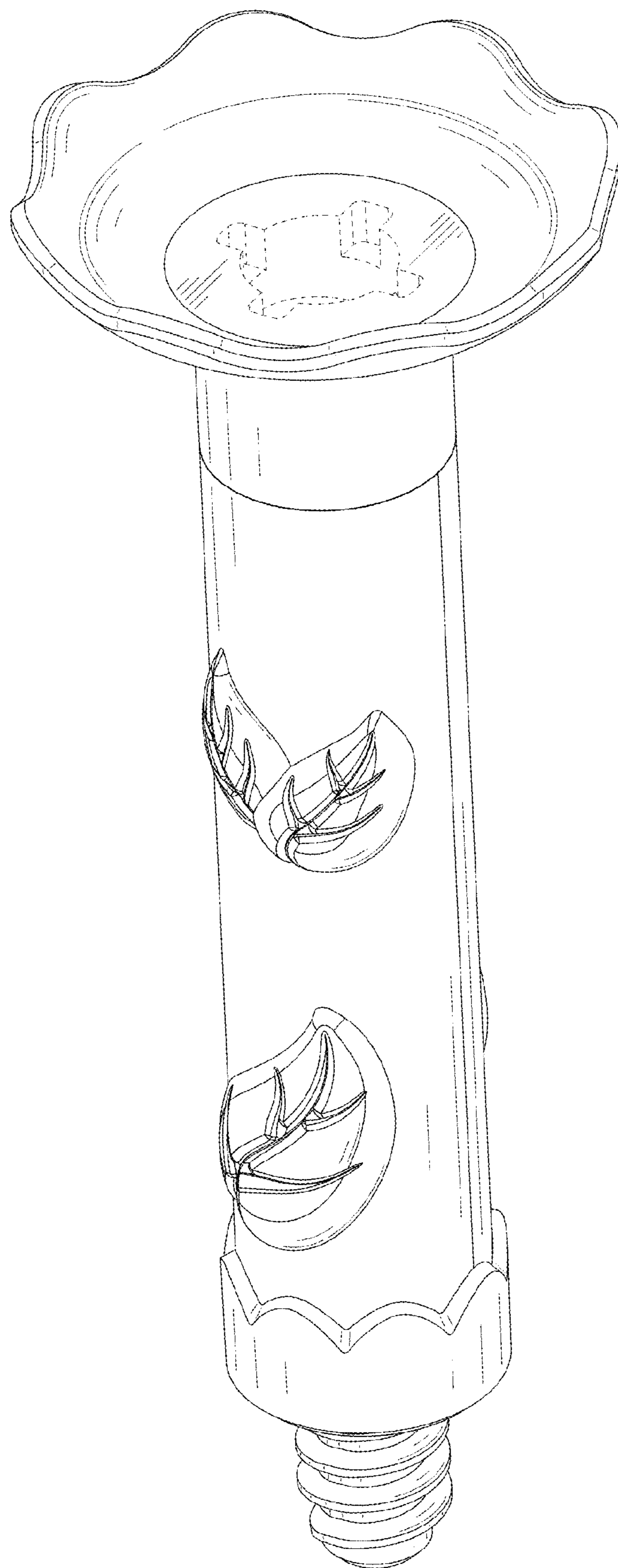


FIG. 33

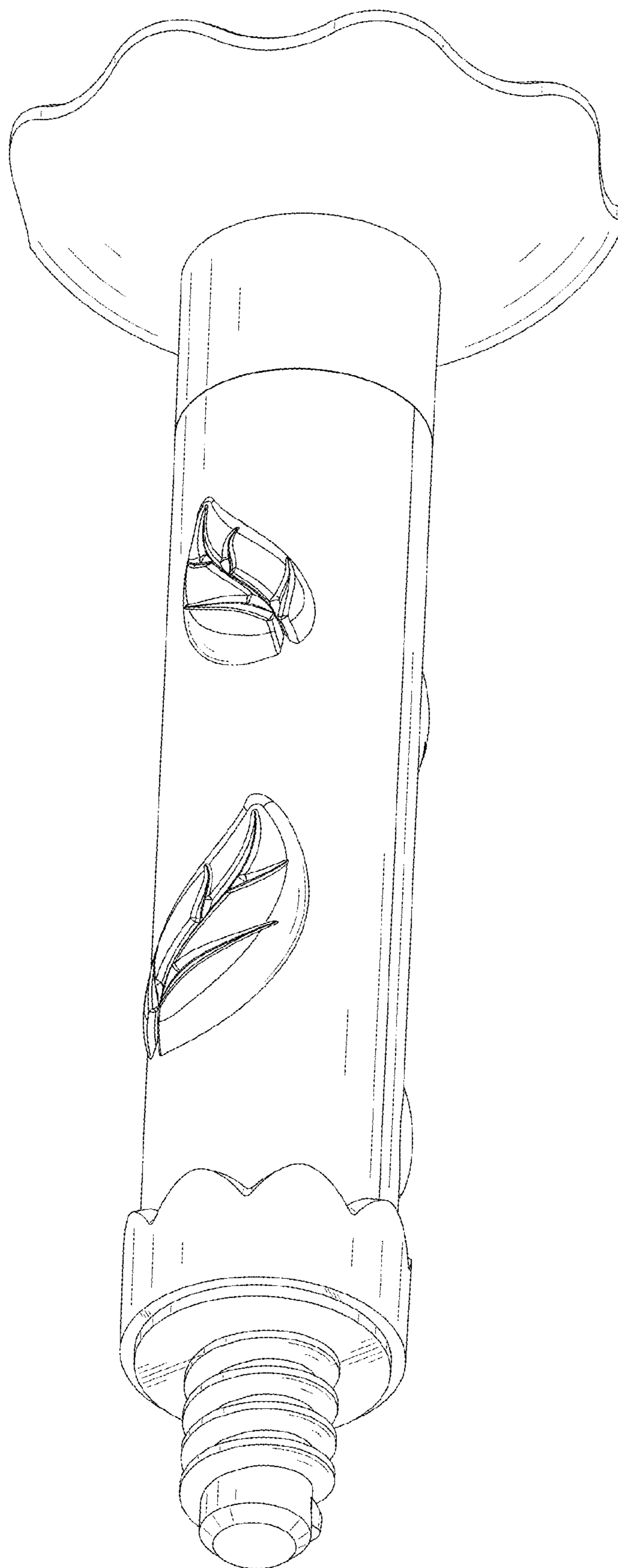


FIG. 34

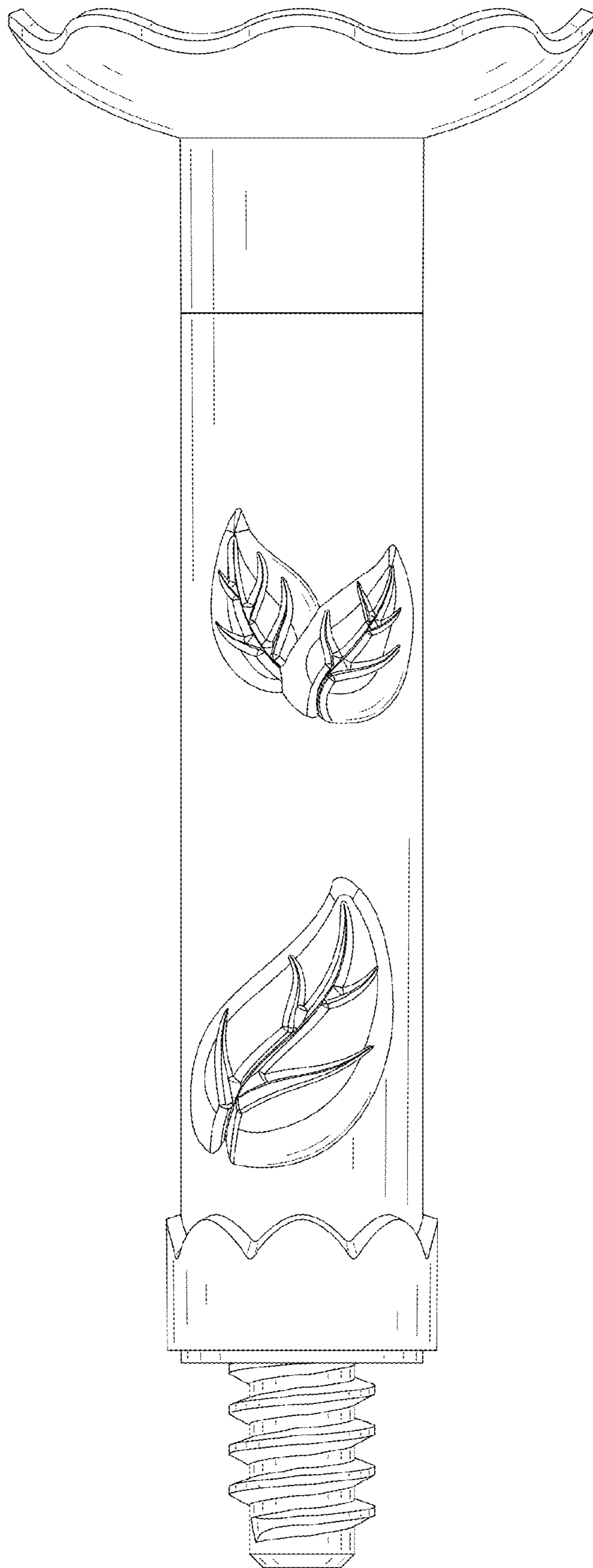


FIG. 35

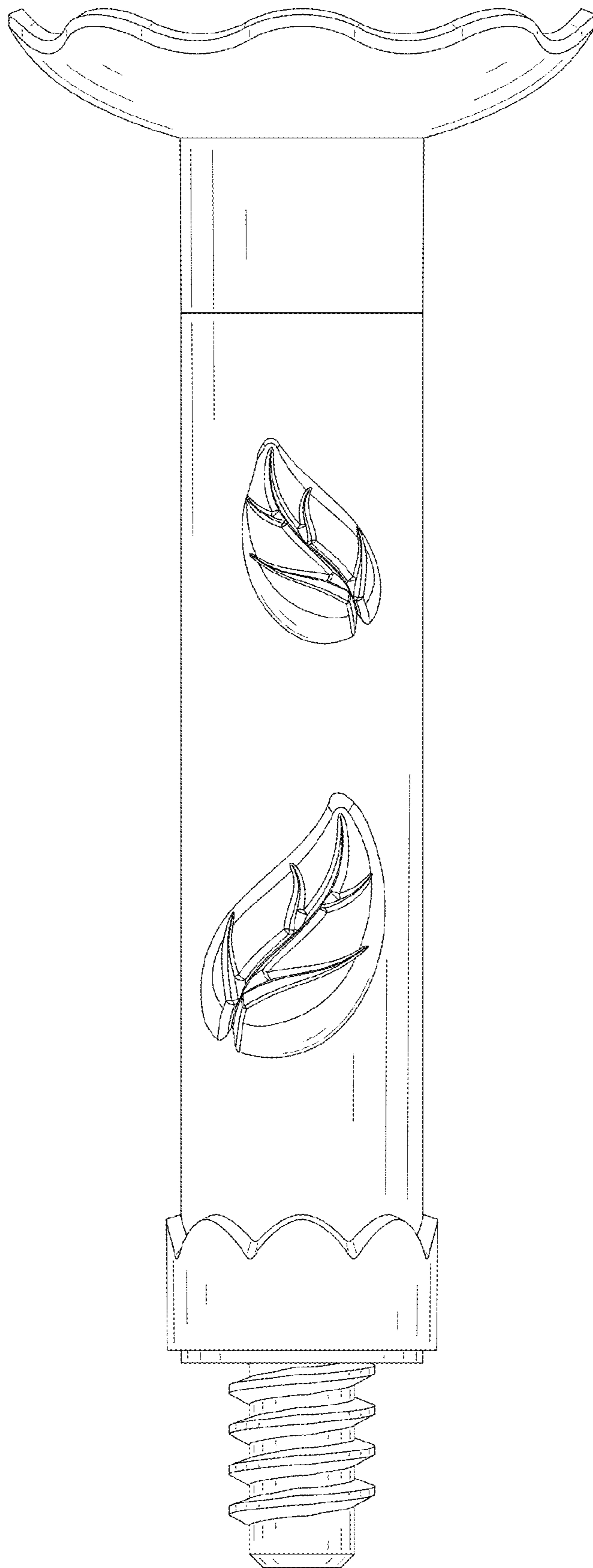


FIG. 36

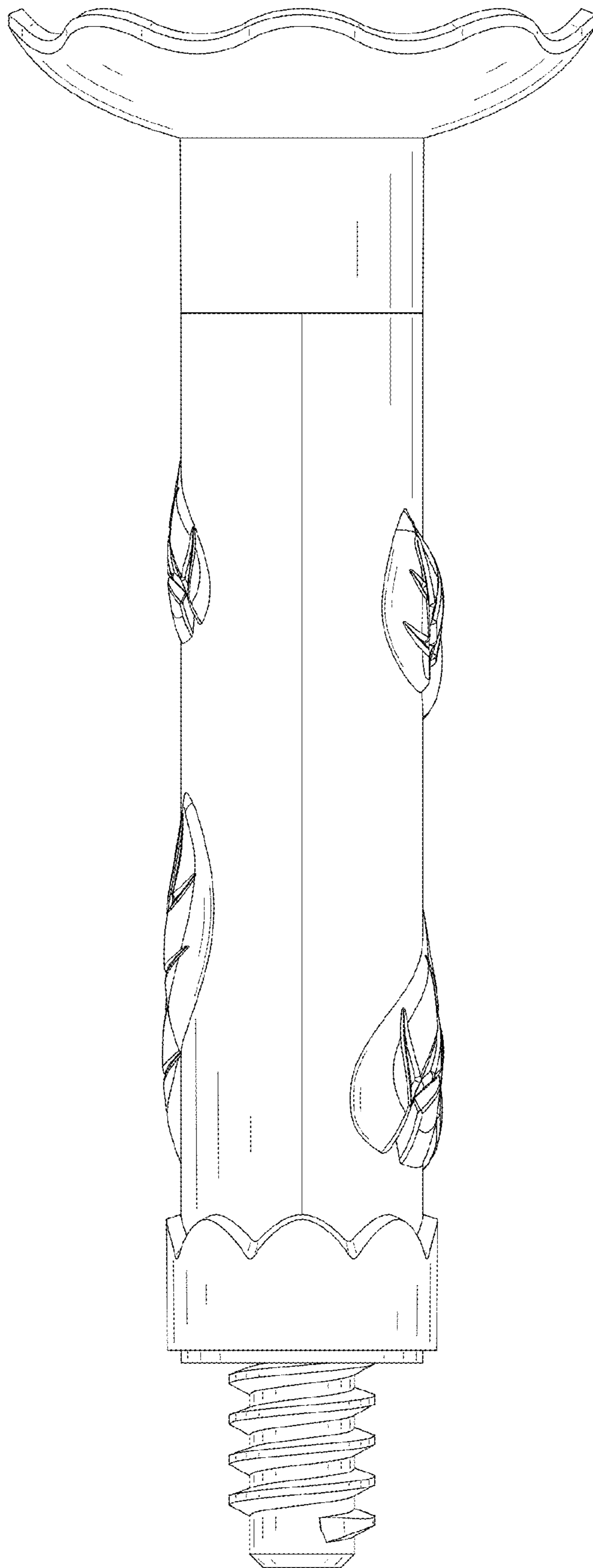


FIG. 37

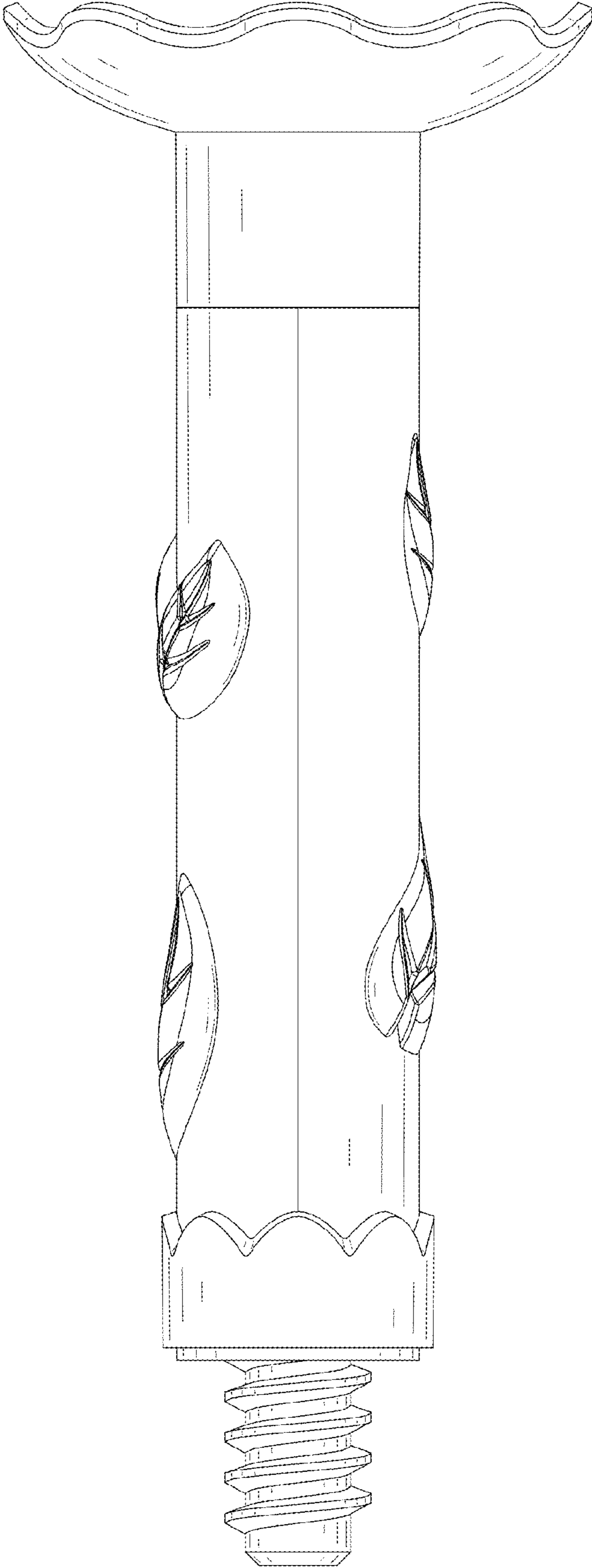


FIG. 38

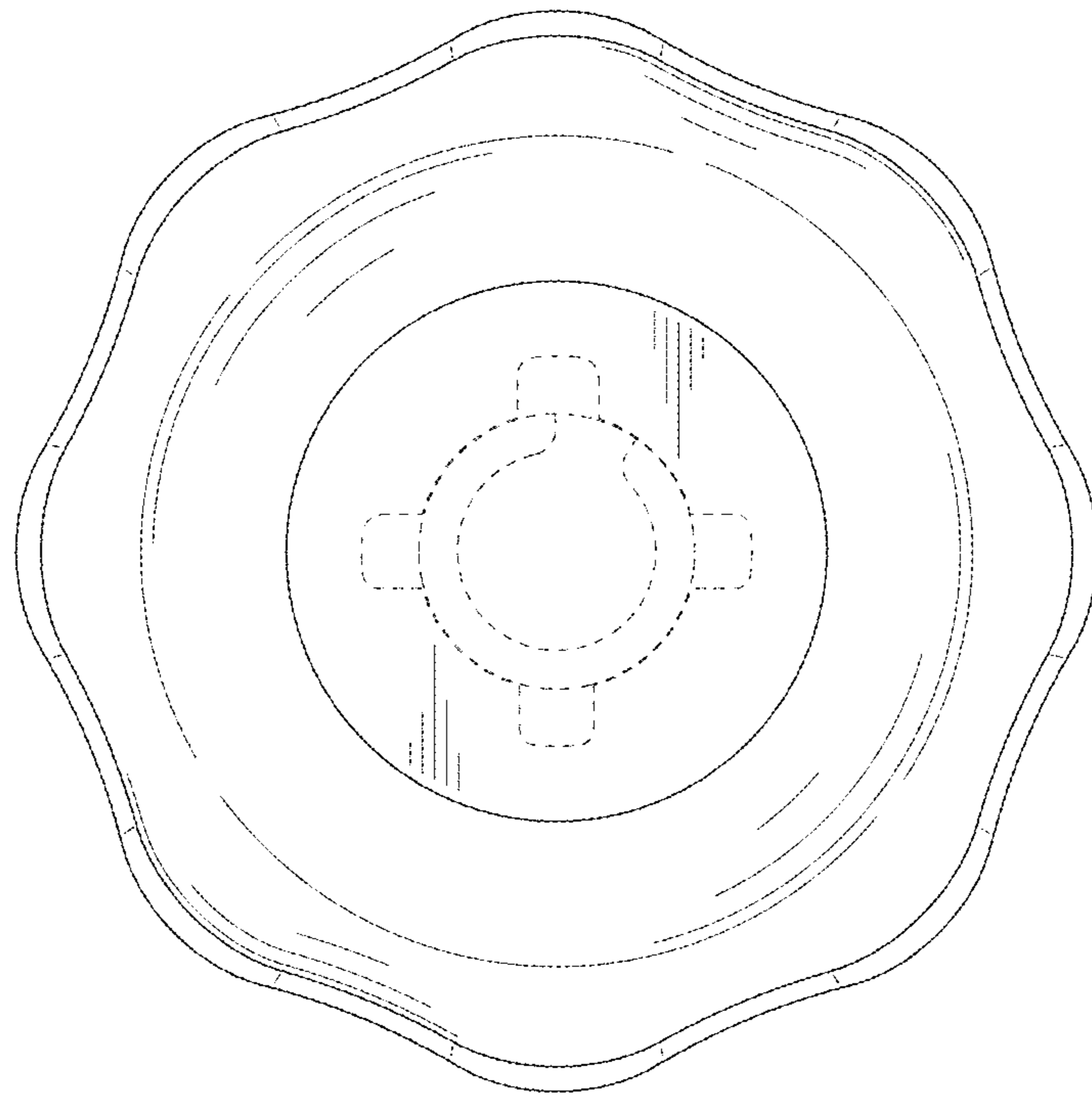


FIG. 39

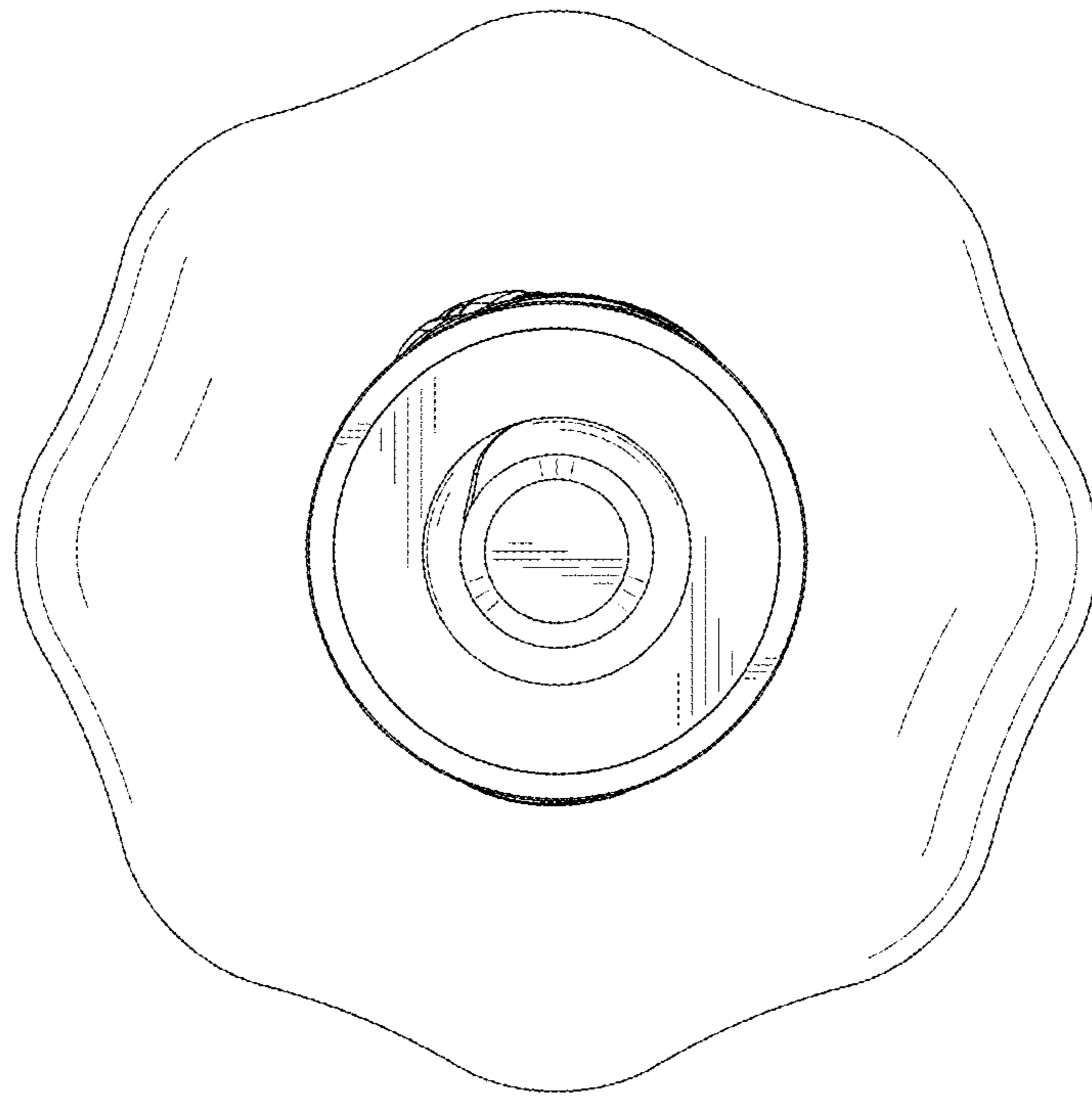


FIG. 40

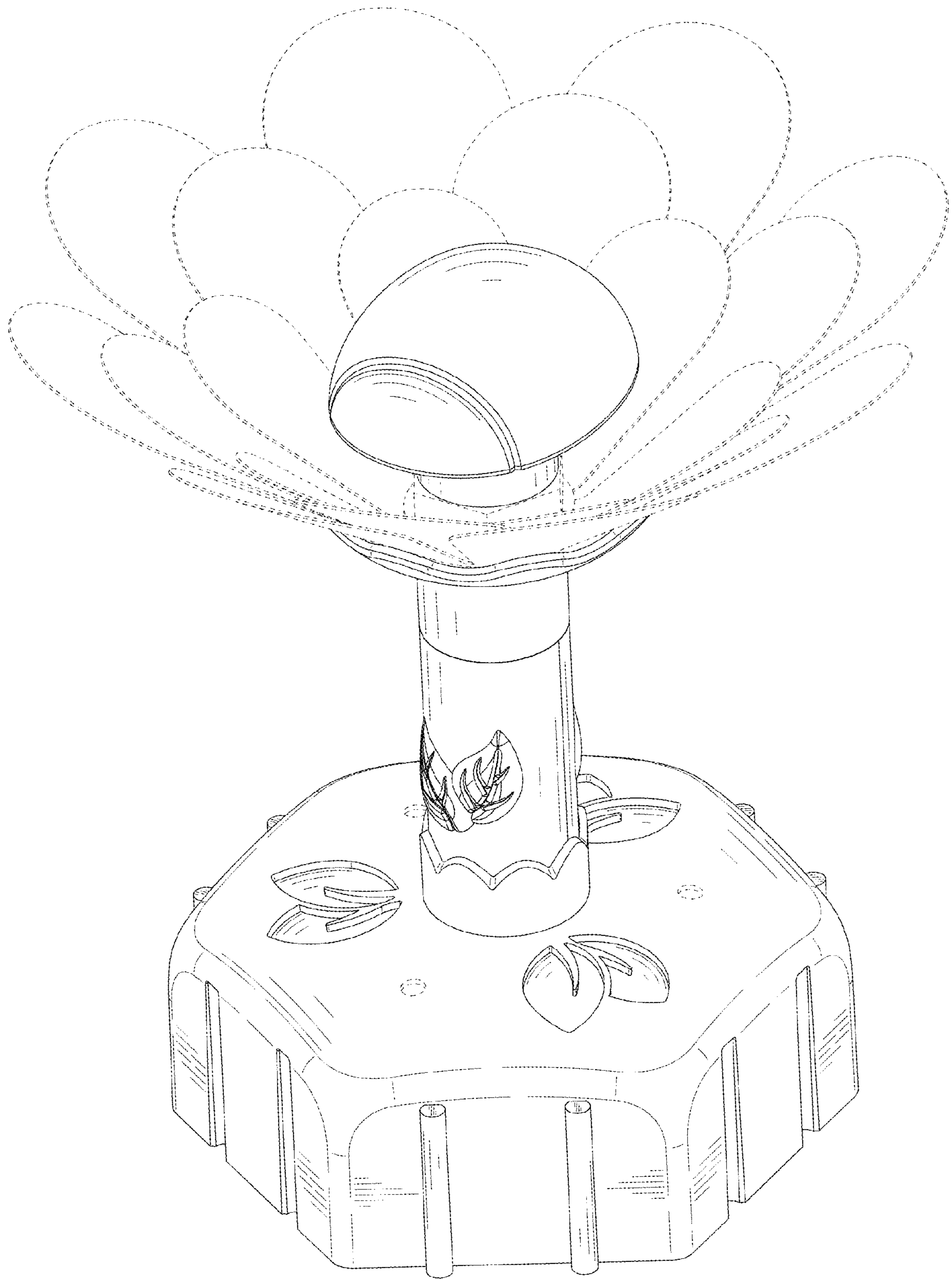


FIG. 41

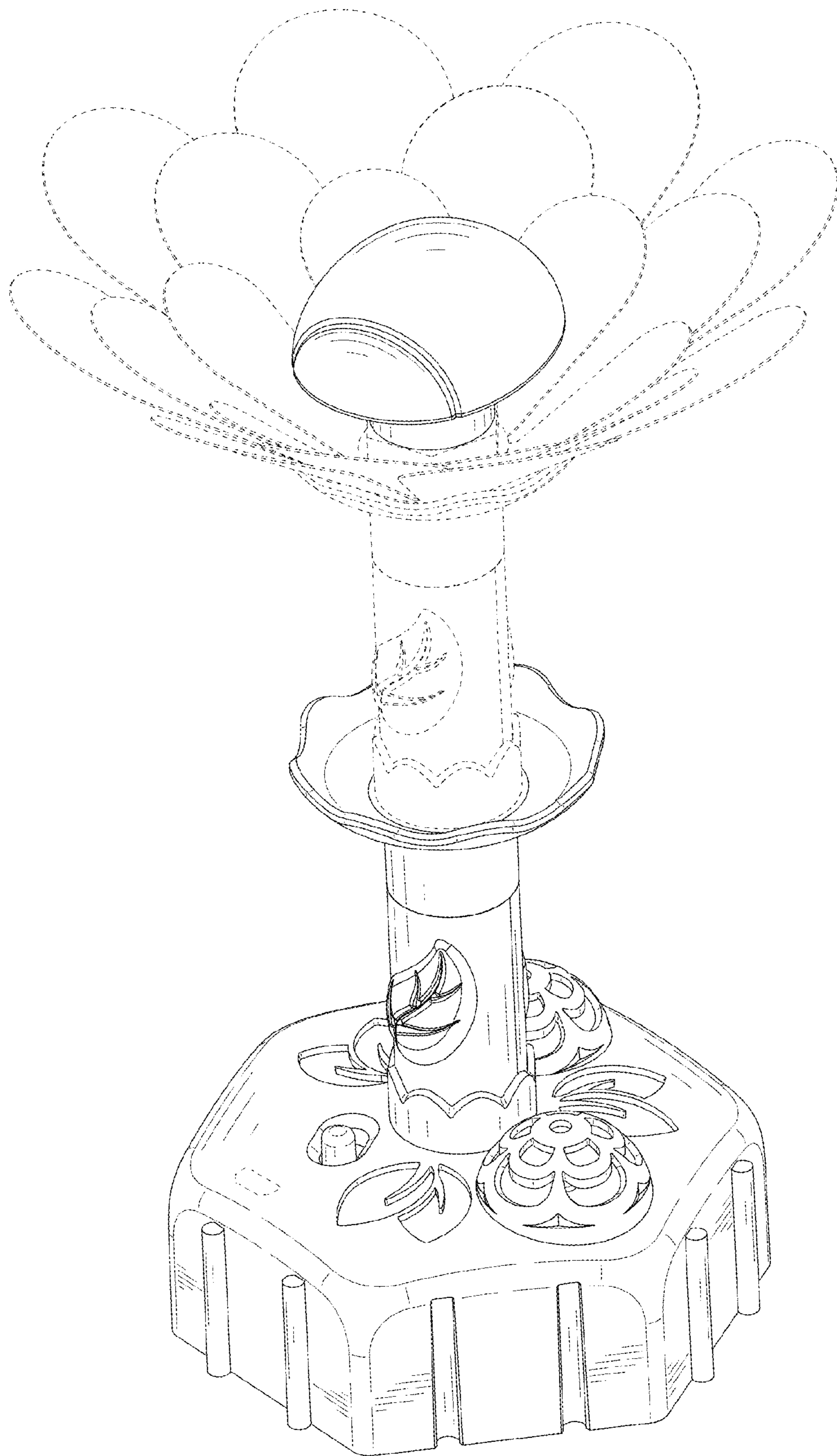


FIG. 42

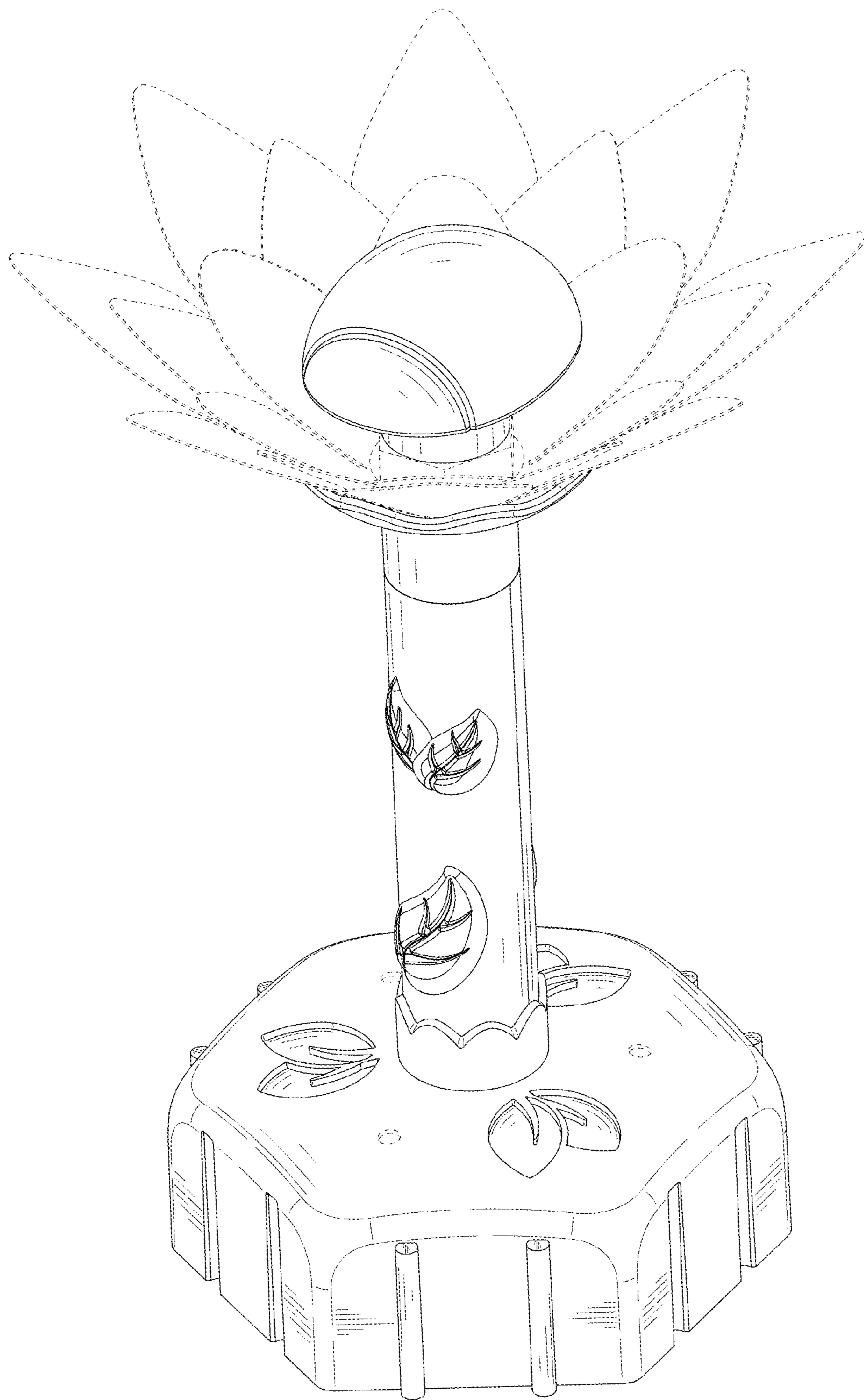


FIG. 43

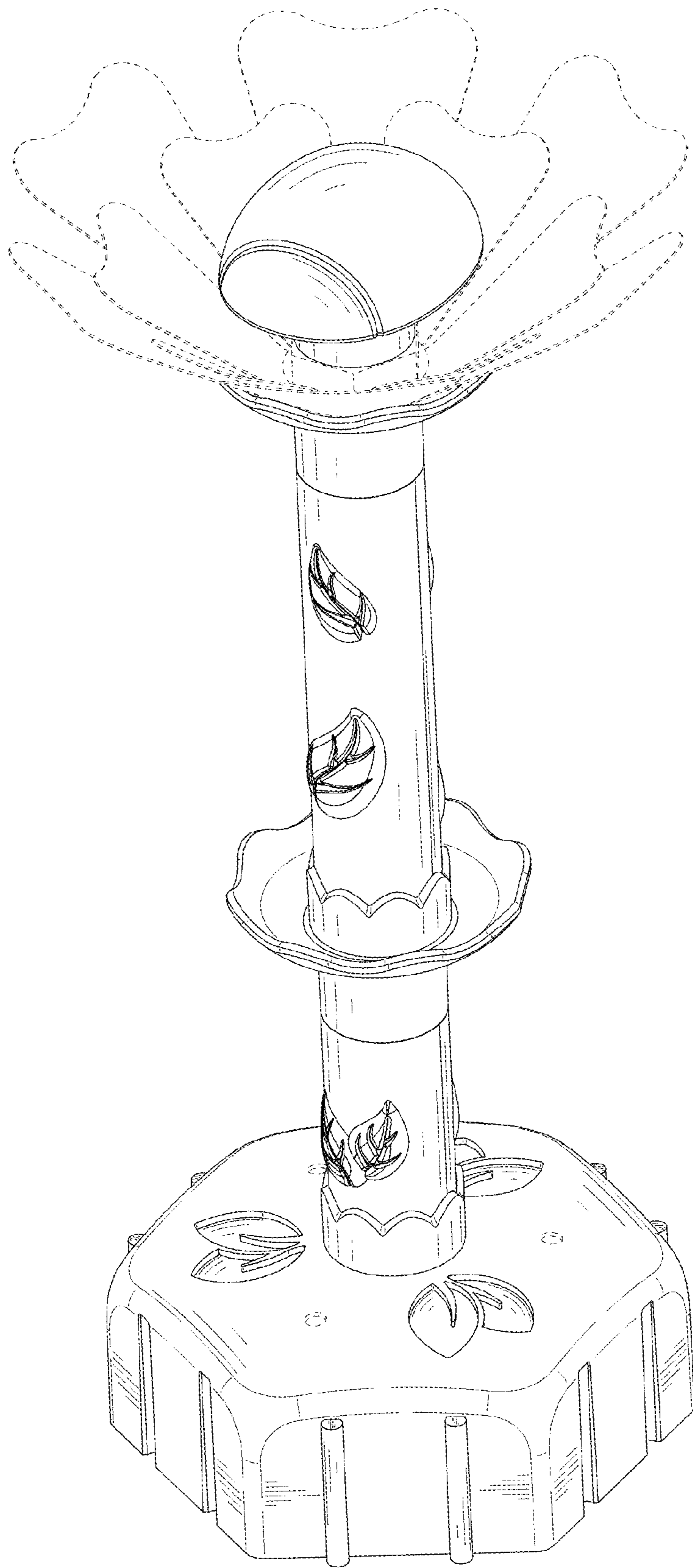


FIG. 44

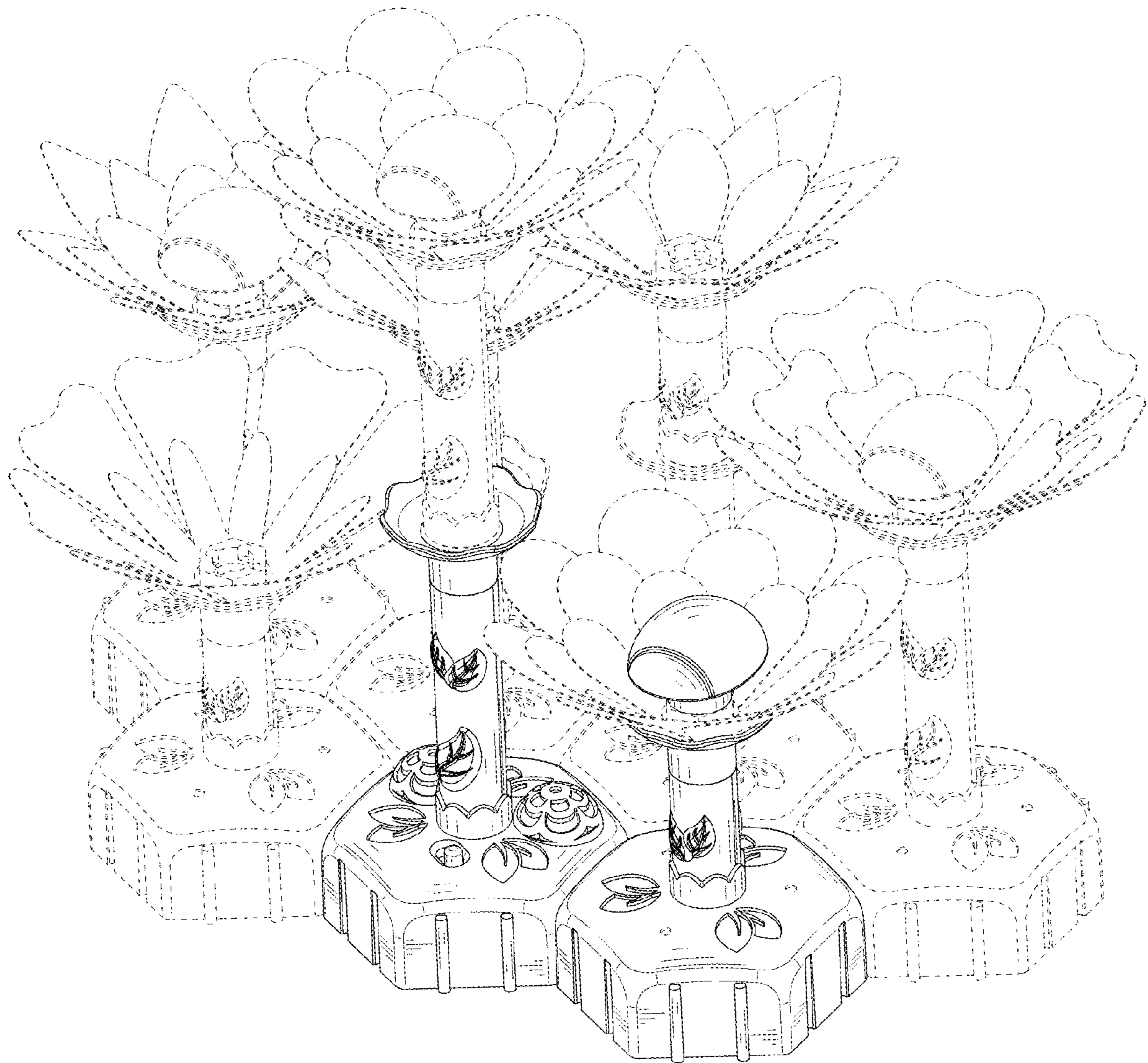


FIG. 45