

US00D969225S

(12) **United States Design Patent**  
**Bando et al.**

(10) **Patent No.:** **US D969,225 S**

(45) **Date of Patent:** **\*\* Nov. 8, 2022**

(54) **LAUNCHING APPARATUS FOR SPINNING  
TOP TOY**

(71) Applicant: **TOMY COMPANY, LTD.**, Tokyo (JP)

(72) Inventors: **Yohei Bando**, Tokyo (JP); **Ryuji  
Nagatomo**, Tokyo (JP)

(73) Assignee: **TOMY COMPANY, LTD.**, Tokyo (JP)

(\*\*) Term: **15 Years**

(21) Appl. No.: **29/771,469**

(22) Filed: **Feb. 23, 2021**

(30) **Foreign Application Priority Data**

Oct. 16, 2020 (JP) ..... 2020-022414 D

(51) **LOC (13) Cl.** ..... **21-01**

(52) **U.S. Cl.**  
USPC ..... **D21/460**; D21/461

(58) **Field of Classification Search**  
USPC ..... D21/398, 468, 470, 455, 456, 459-464,  
D21/471, 488, 493

CPC ... A63H 1/00; A63H 1/04; A63H 1/06; A63H  
1/08; A63H 1/10; A63H 1/12; A63H  
1/16; A63H 1/18; A63H 1/20; A63H  
1/22; A63H 1/24; A63H 1/26; A63H  
1/28; A63H 1/30; A63H 1/32; A63F 9/16;  
A63F 2009/165; A63F 7/38; A63F 7/04

See application file for complete search history.

(56) **References Cited**

**U.S. PATENT DOCUMENTS**

D610,211 S \* 2/2010 Nishimoto ..... D21/461  
D639,349 S \* 6/2011 Horikoshi ..... D21/461  
D790,635 S \* 6/2017 Horikoshi ..... D21/461  
D806,801 S \* 1/2018 Shindo ..... D21/338  
D816,781 S \* 5/2018 Horikoshi ..... D21/461

D838,317 S \* 1/2019 Saito ..... D21/461  
D842,936 S \* 3/2019 Shindo ..... D21/461  
D852,895 S \* 7/2019 Saito ..... D21/461  
D878,482 S \* 3/2020 Hama ..... D21/461  
D908,176 S \* 1/2021 Schultheis ..... D21/461  
D949,245 S \* 4/2022 Muraki ..... D21/461

(Continued)

**OTHER PUBLICATIONS**

Beyblade Burst B-184 Custom Beylauncher LR. Date First Avail-  
able: Mar. 14, 2021. Retrieved from internet: <<https://www.amazon.co.jp/-/en/dp/B08Y9Y1FDB/>> [site visited Jun. 28, 2022] (Year:  
2021).\*

*Primary Examiner* — Katherine Glennon

*Assistant Examiner* — Yuan Yuan

(74) *Attorney, Agent, or Firm* — Oliff PLC

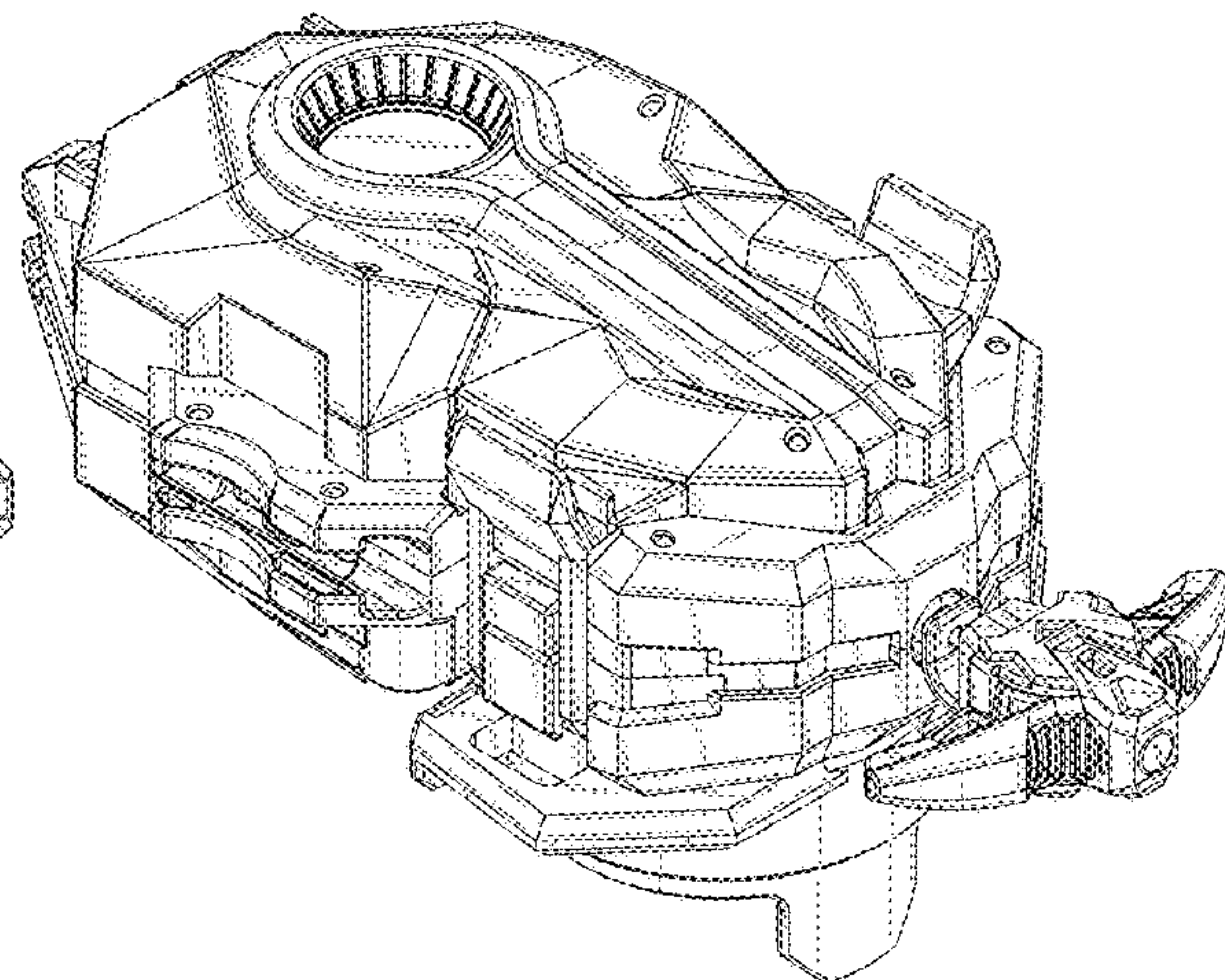
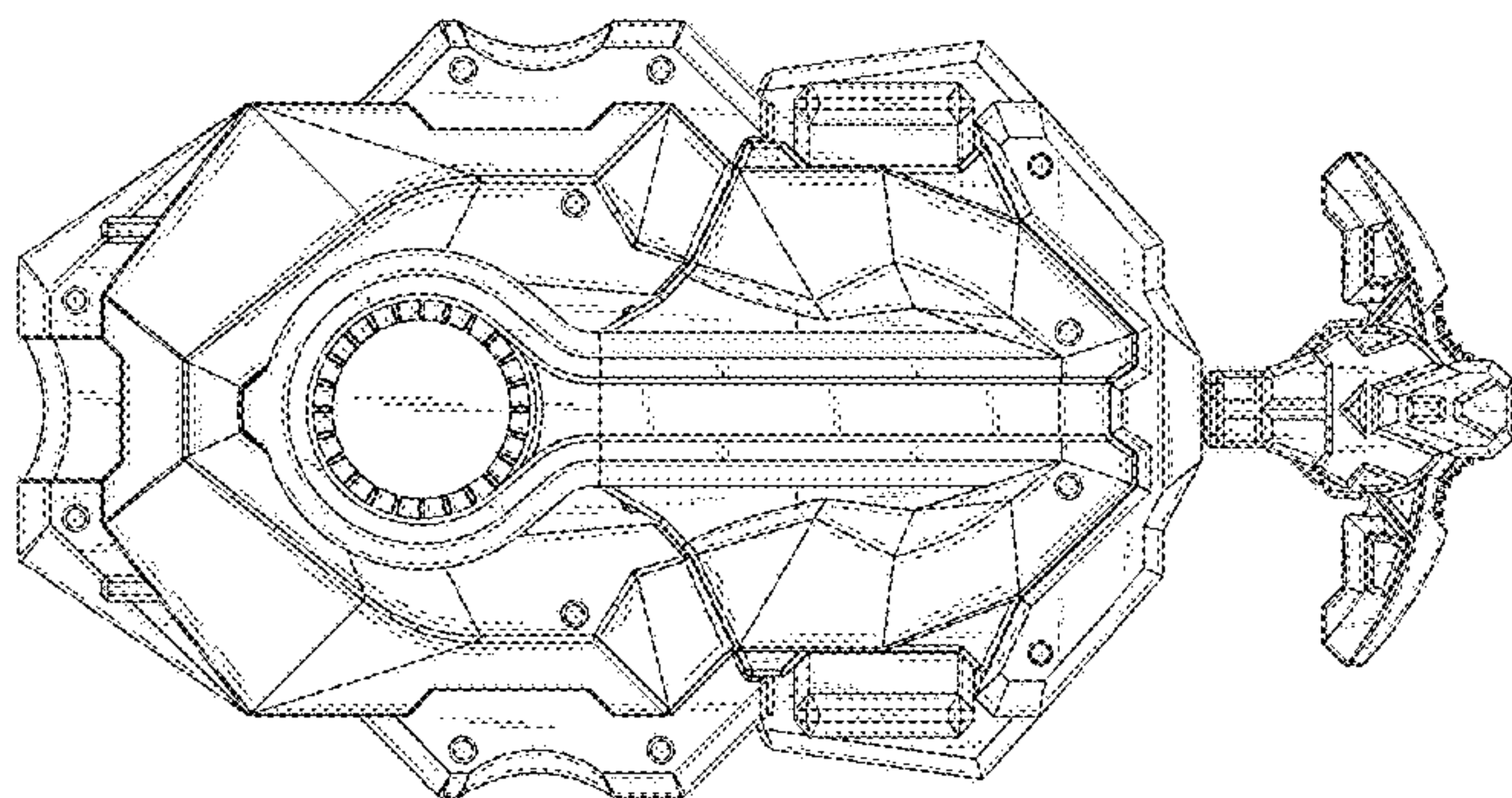
(57) **CLAIM**

The ornamental design for a launching apparatus for spin-  
ning top toy, as shown and described.

**DESCRIPTION**

FIG. 1 is a front elevational view of a launching apparatus  
for spinning top toy, showing the new design;  
FIG. 2 is a left-side elevational view thereof;  
FIG. 3 is a rear elevational view thereof;  
FIG. 4 is a right-side elevational view thereof;  
FIG. 5 is a top plan view thereof;  
FIG. 6 is a bottom plan view thereof;  
FIG. 7 is a front, right-side, top perspective view thereof;  
FIG. 8 is a rear, left-side, bottom perspective view thereof;  
FIG. 9 is a front, right-side, bottom perspective view thereof;  
and,  
FIG. 10 is a rear, left-side, top perspective view thereof.  
The broken lines depict parts of the launching apparatus for  
spinning top toy that form no part of the claimed design.

**1 Claim, 10 Drawing Sheets**



(56)

**References Cited**

U.S. PATENT DOCUMENTS

2009/0253504 A1\* 10/2009 Nishimoto ..... A63F 9/16  
463/31  
2011/0104981 A1\* 5/2011 Desent ..... A63H 17/008  
446/435

\* cited by examiner



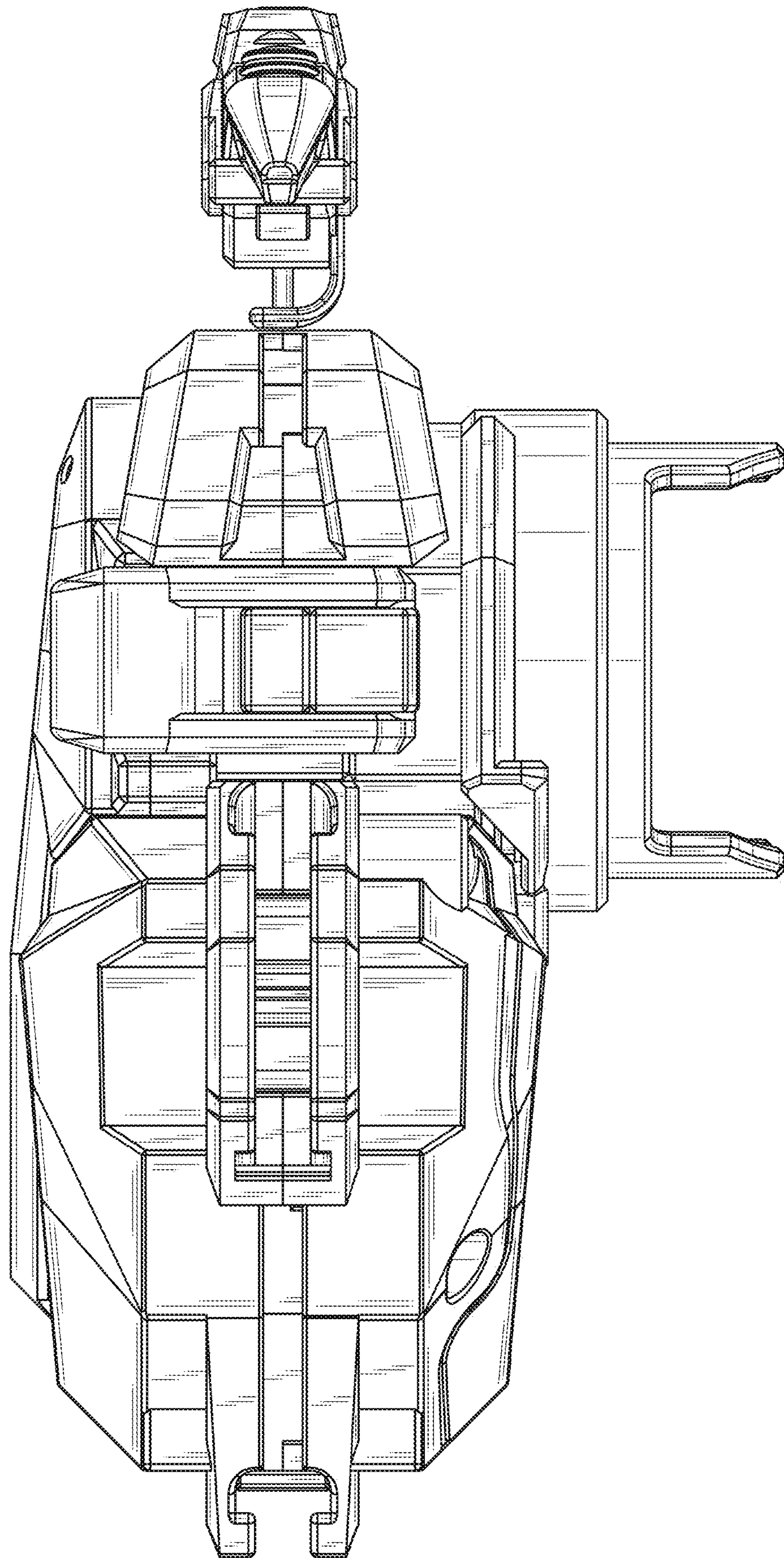


FIG. 1

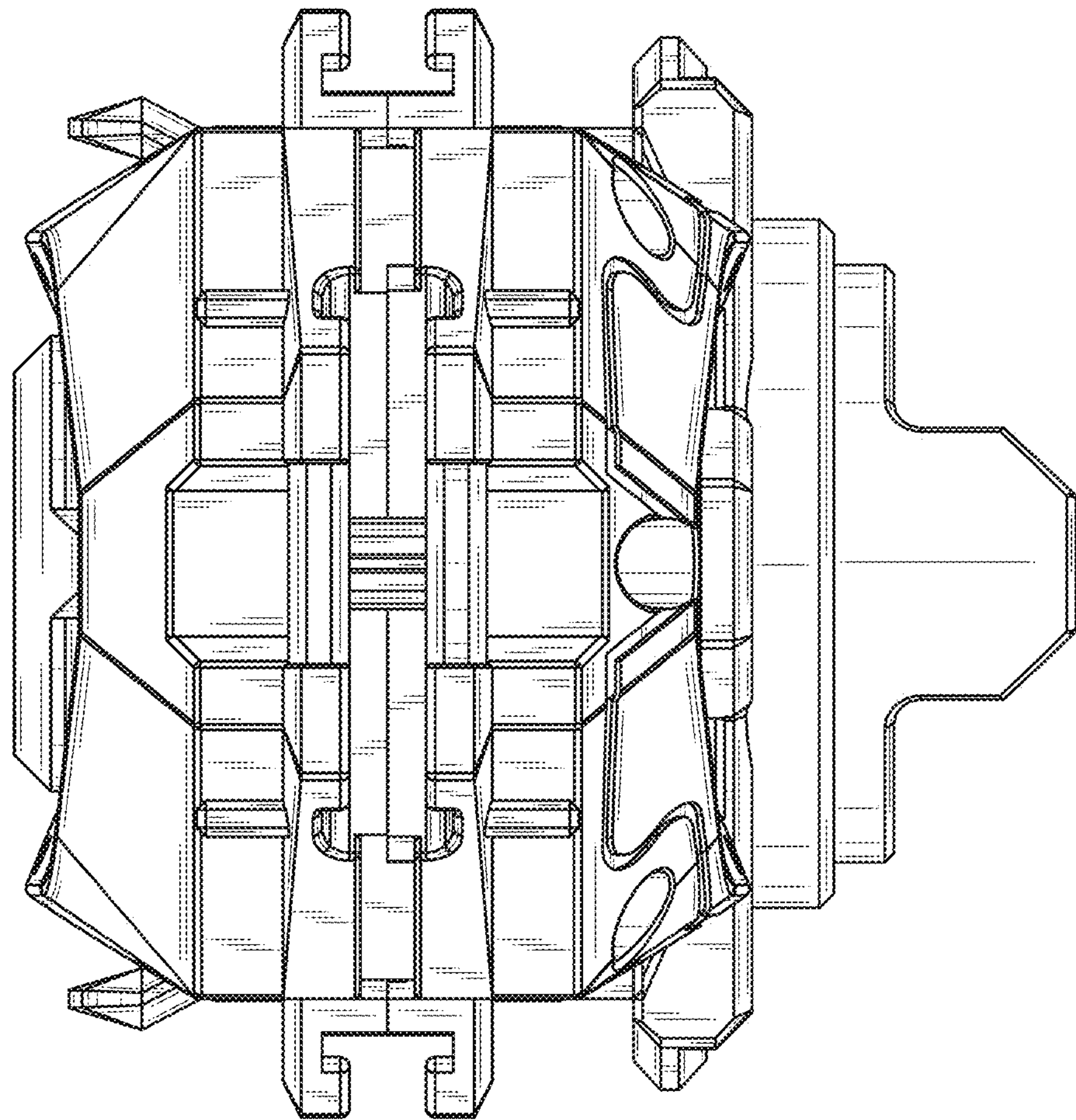


FIG. 2



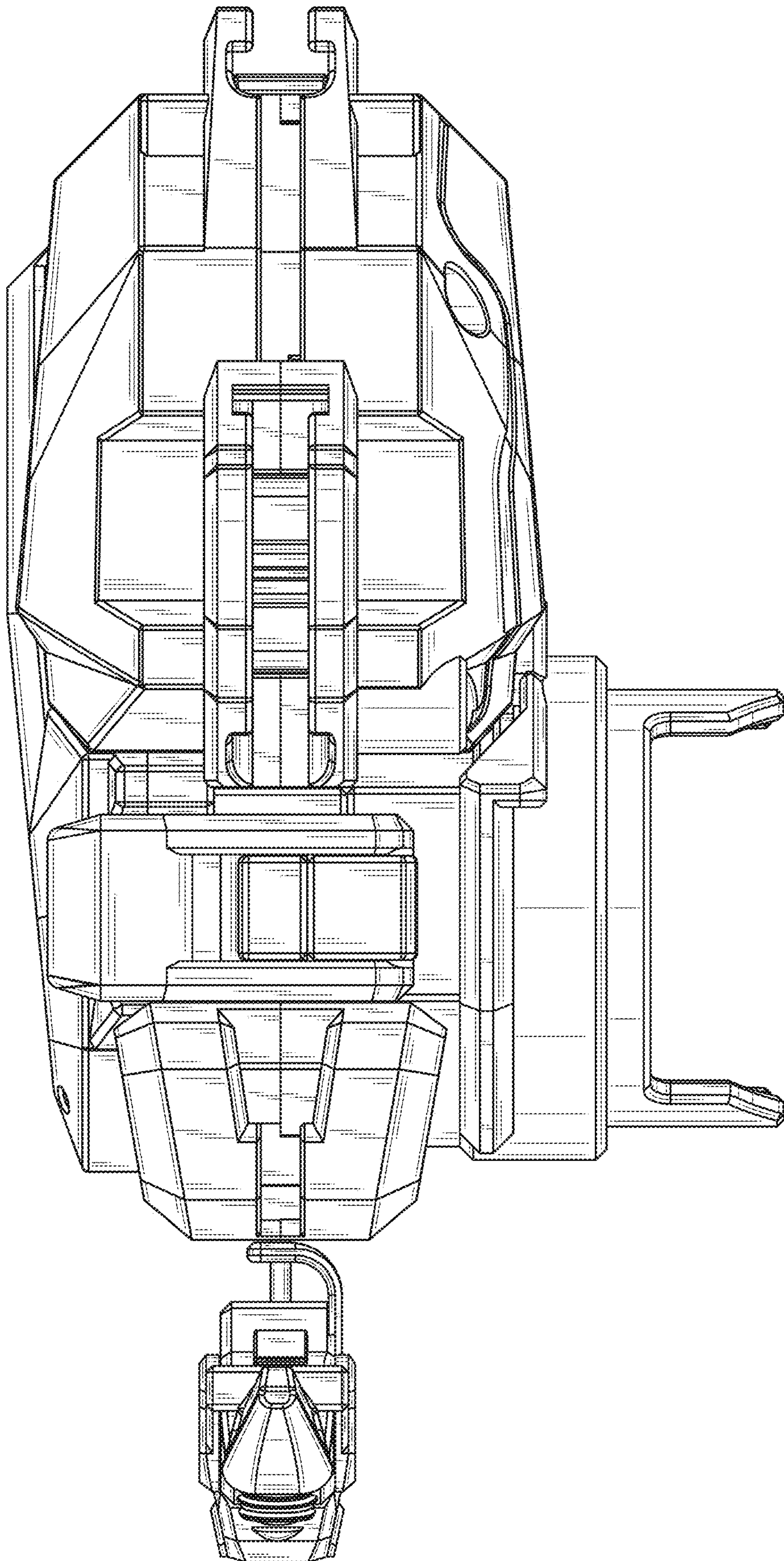


FIG. 3

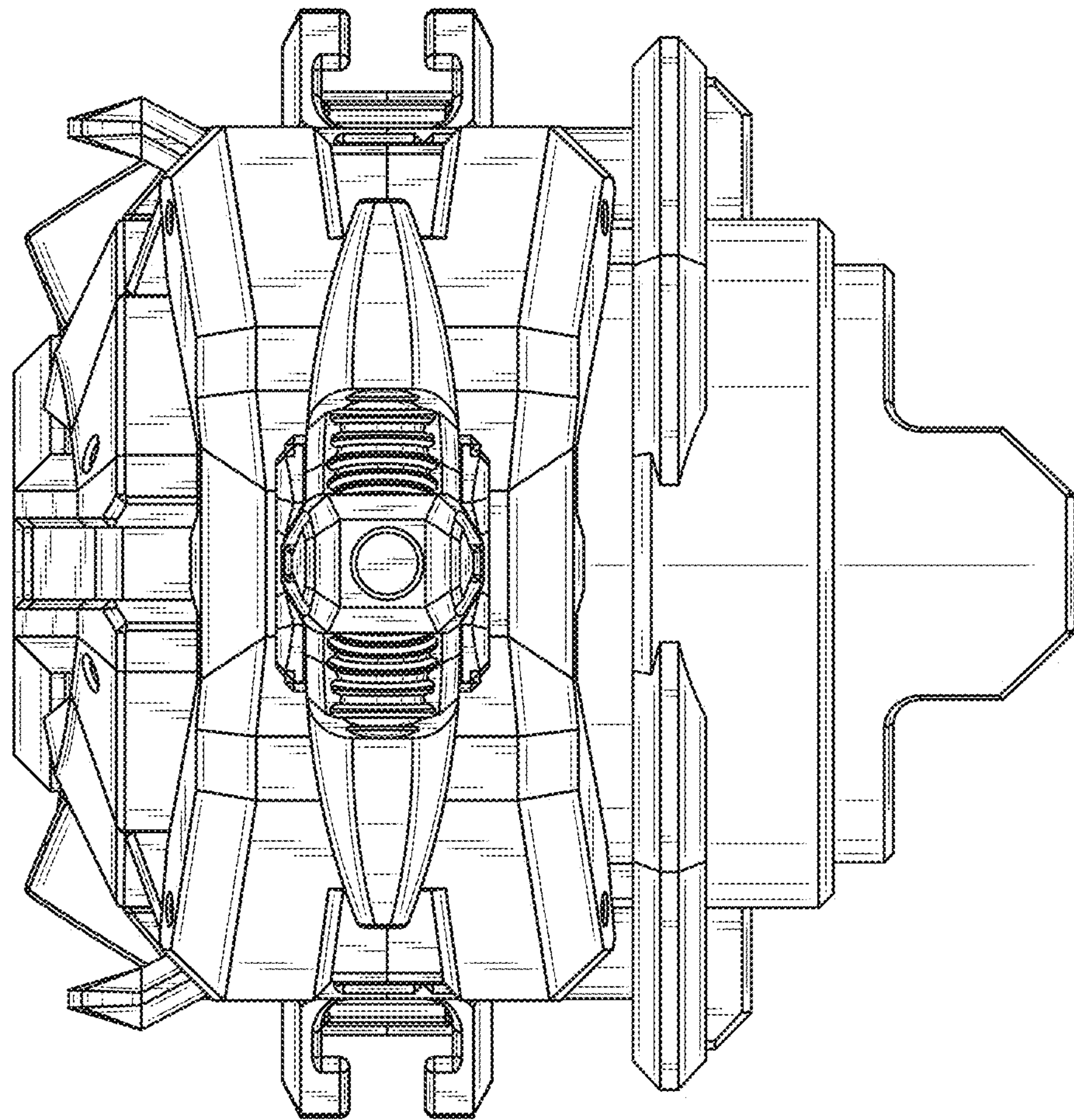


FIG. 4



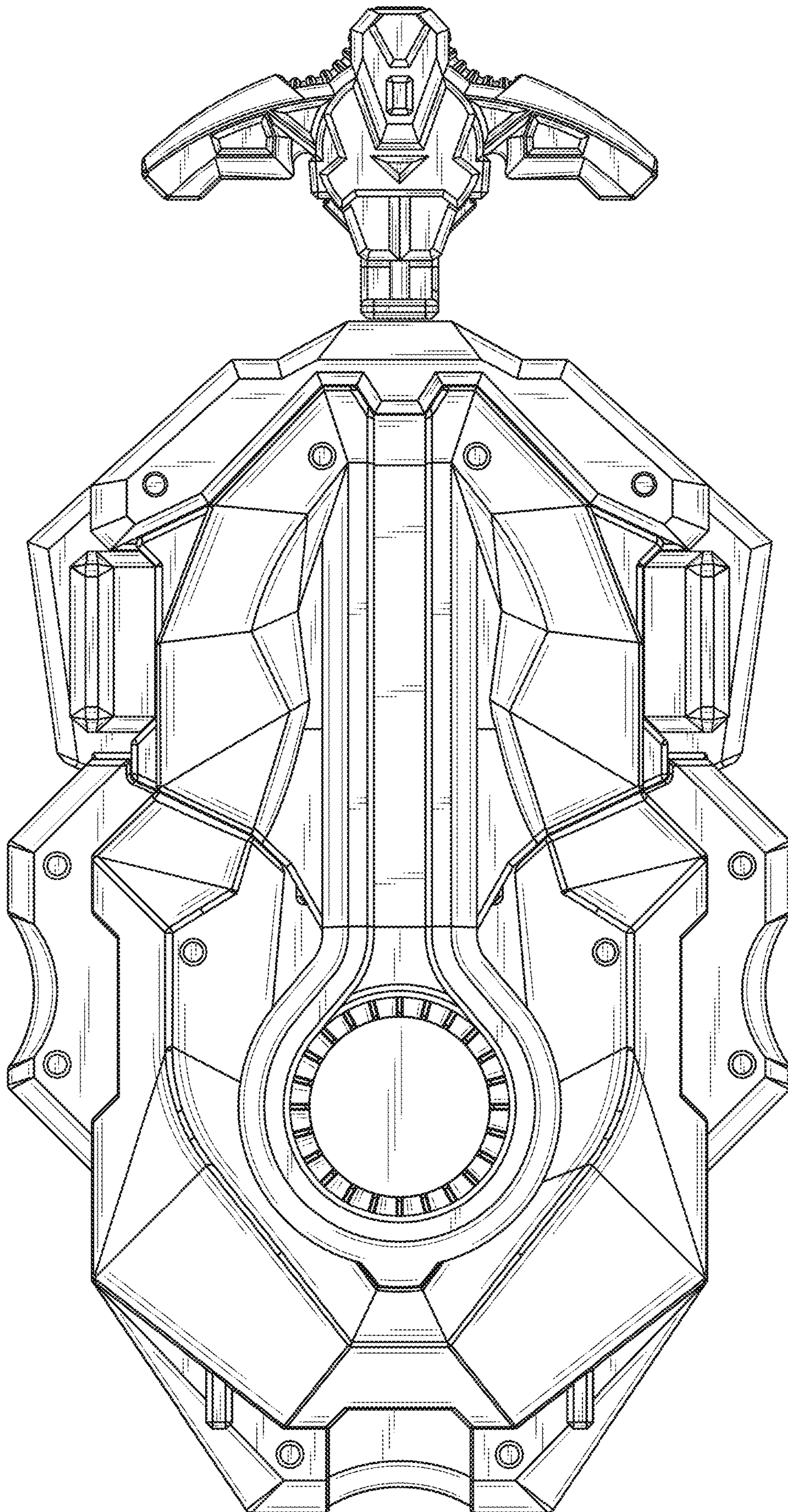


FIG. 5



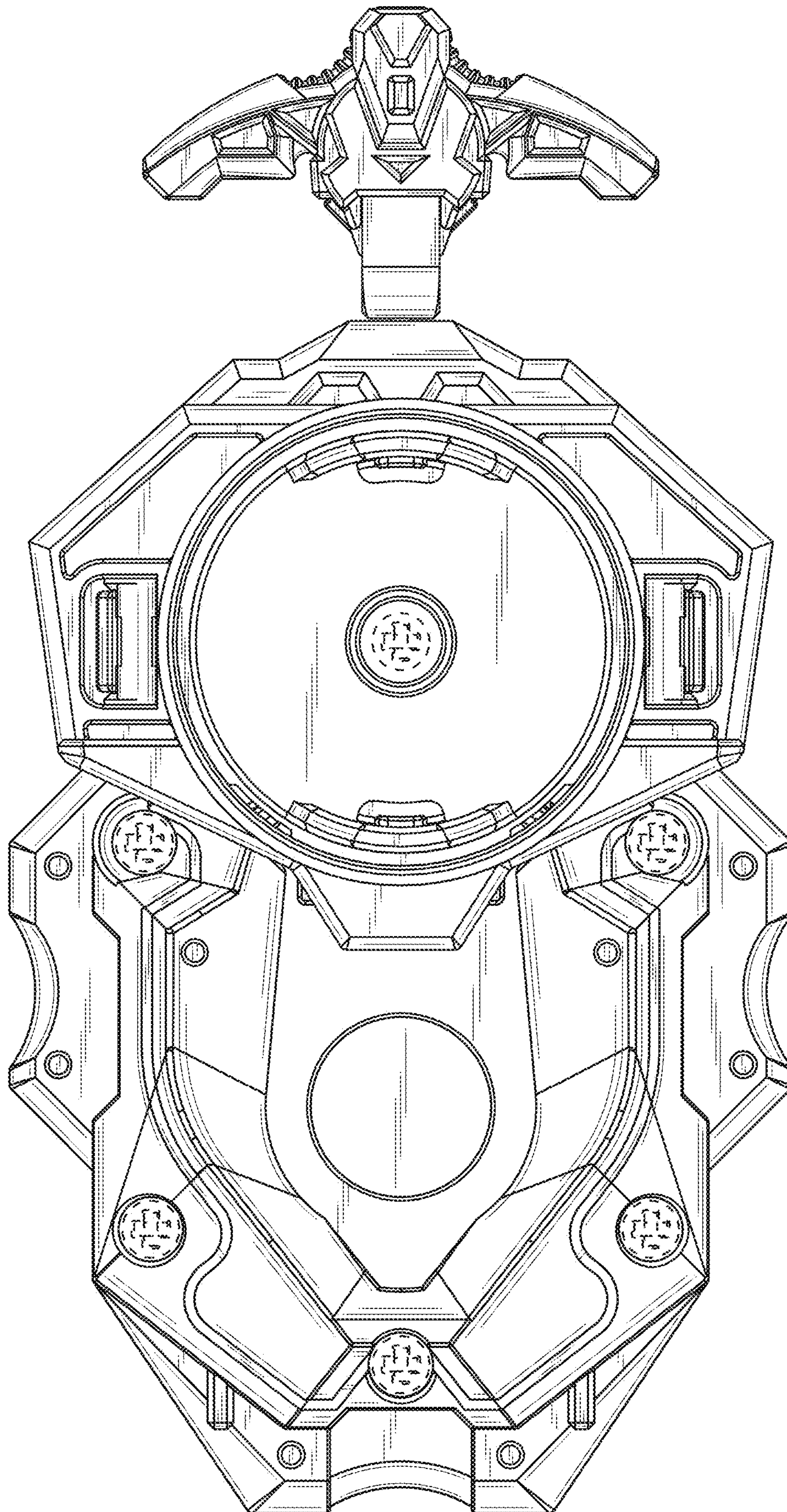


FIG. 6



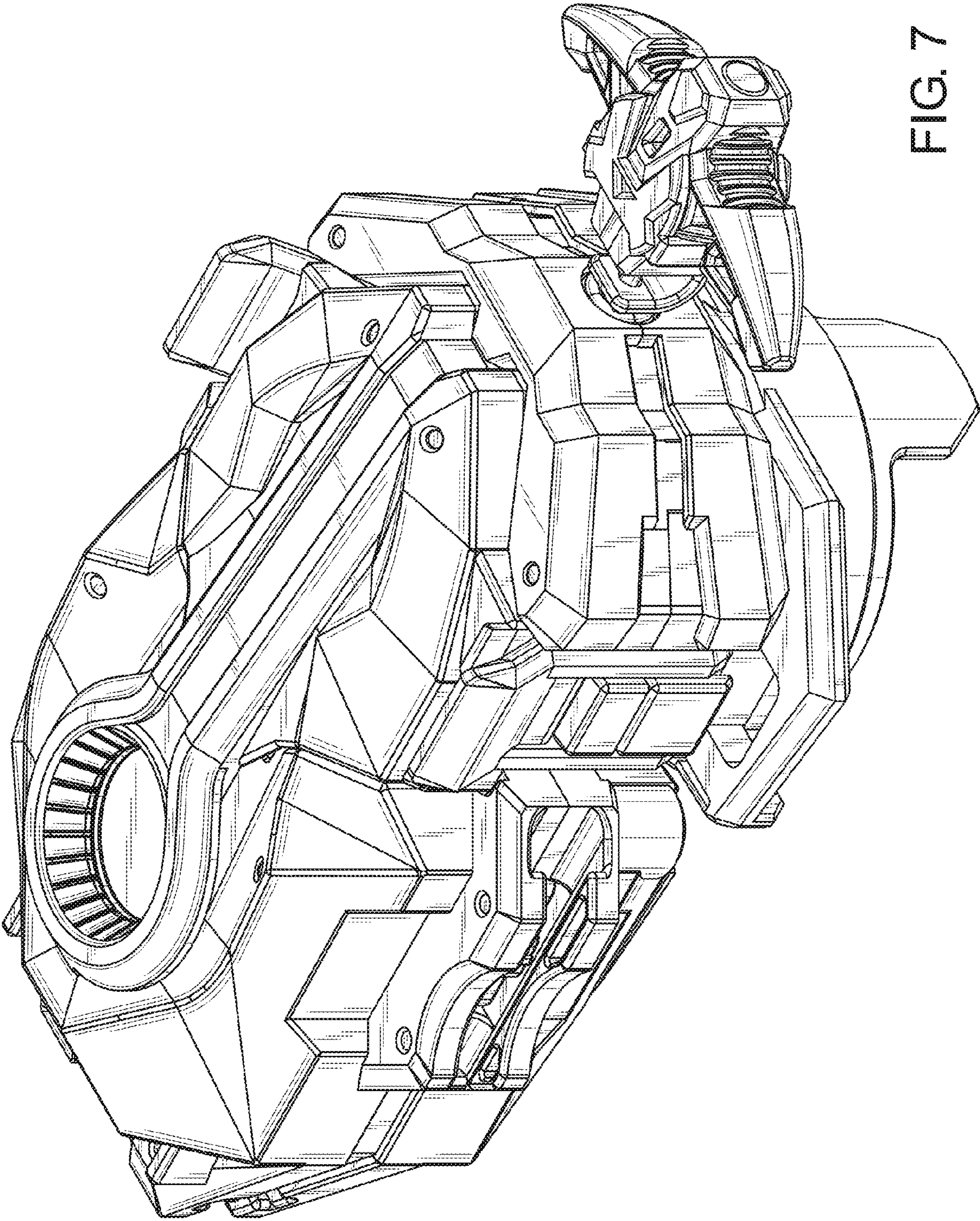


FIG. 7



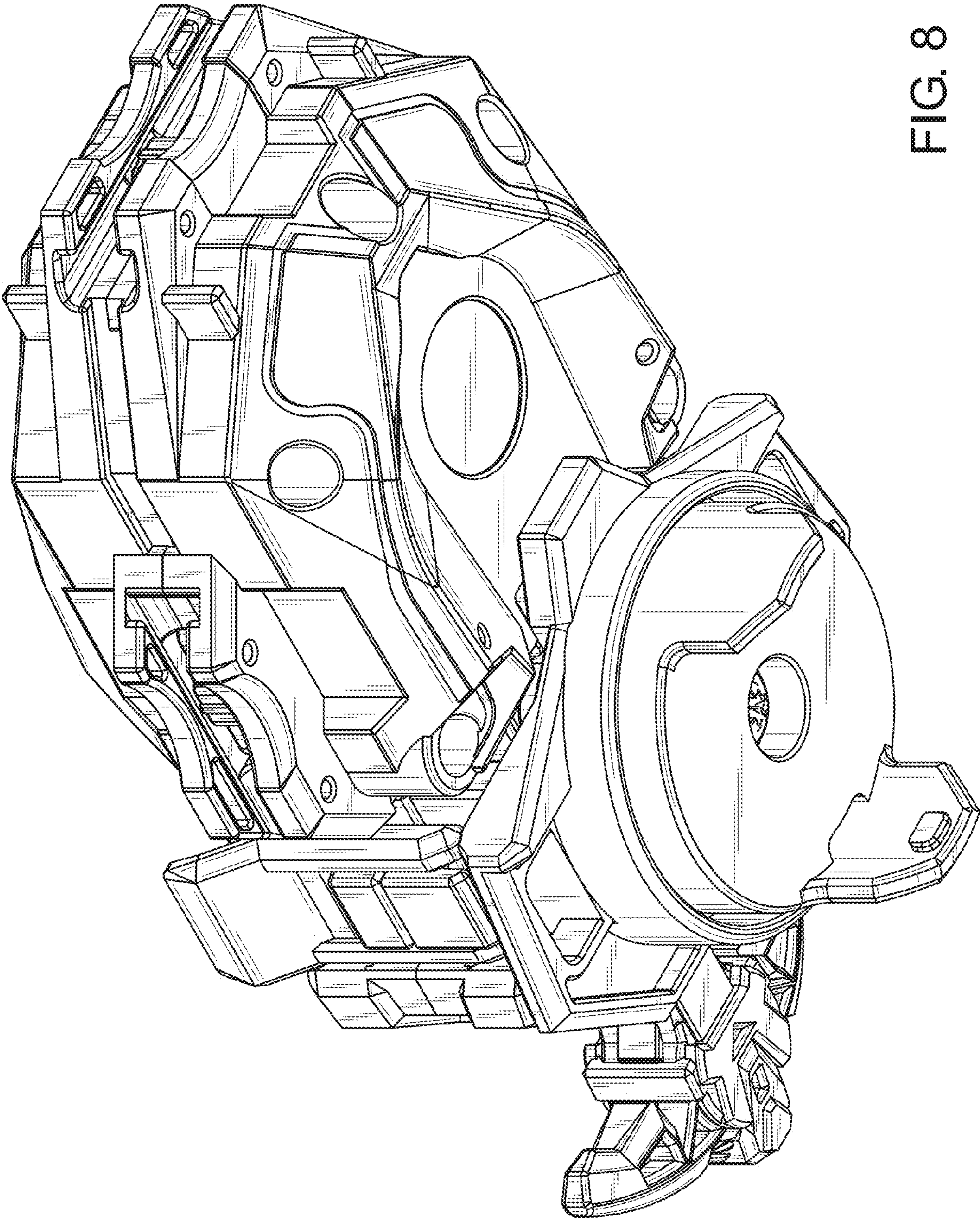


FIG. 8



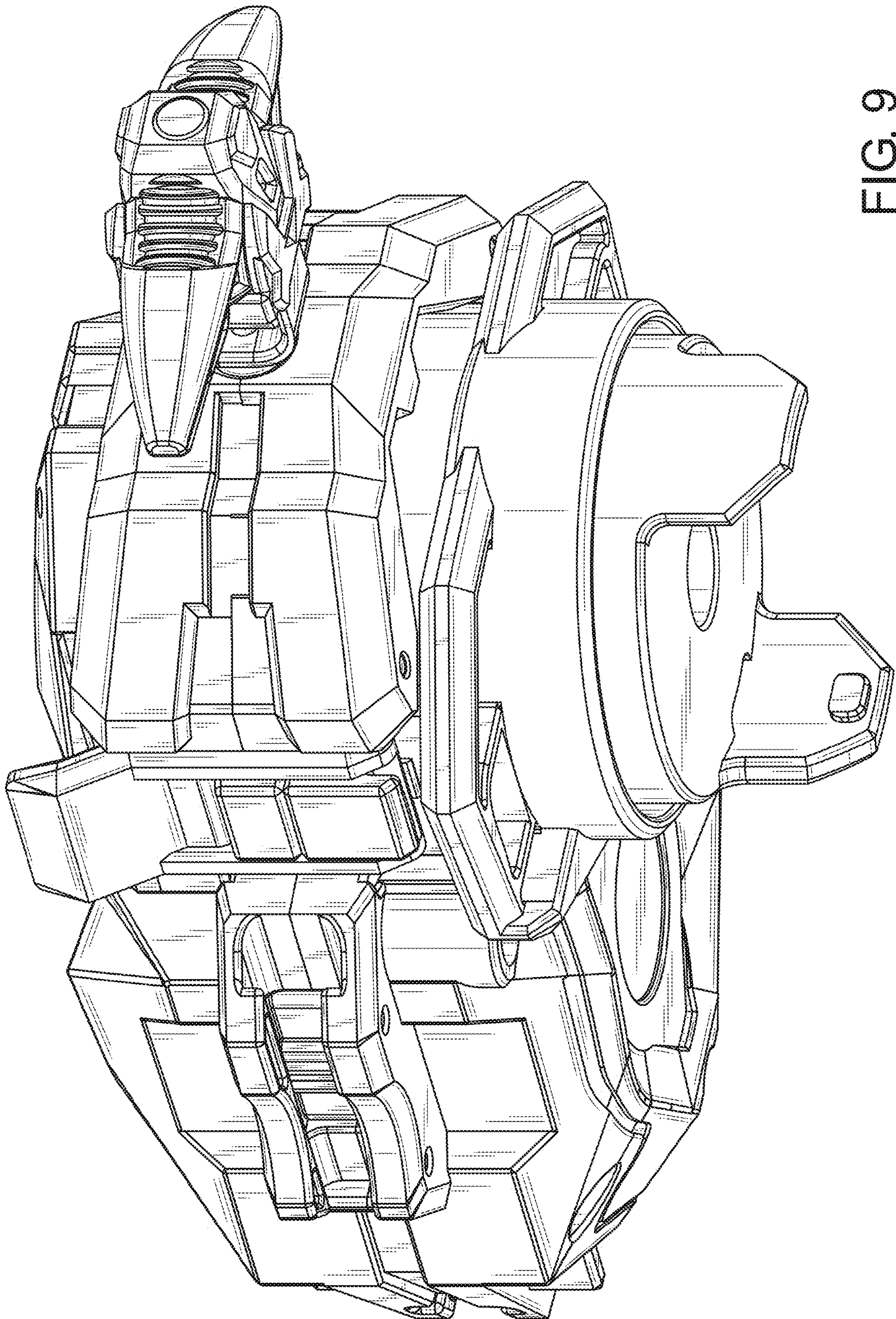


FIG. 9



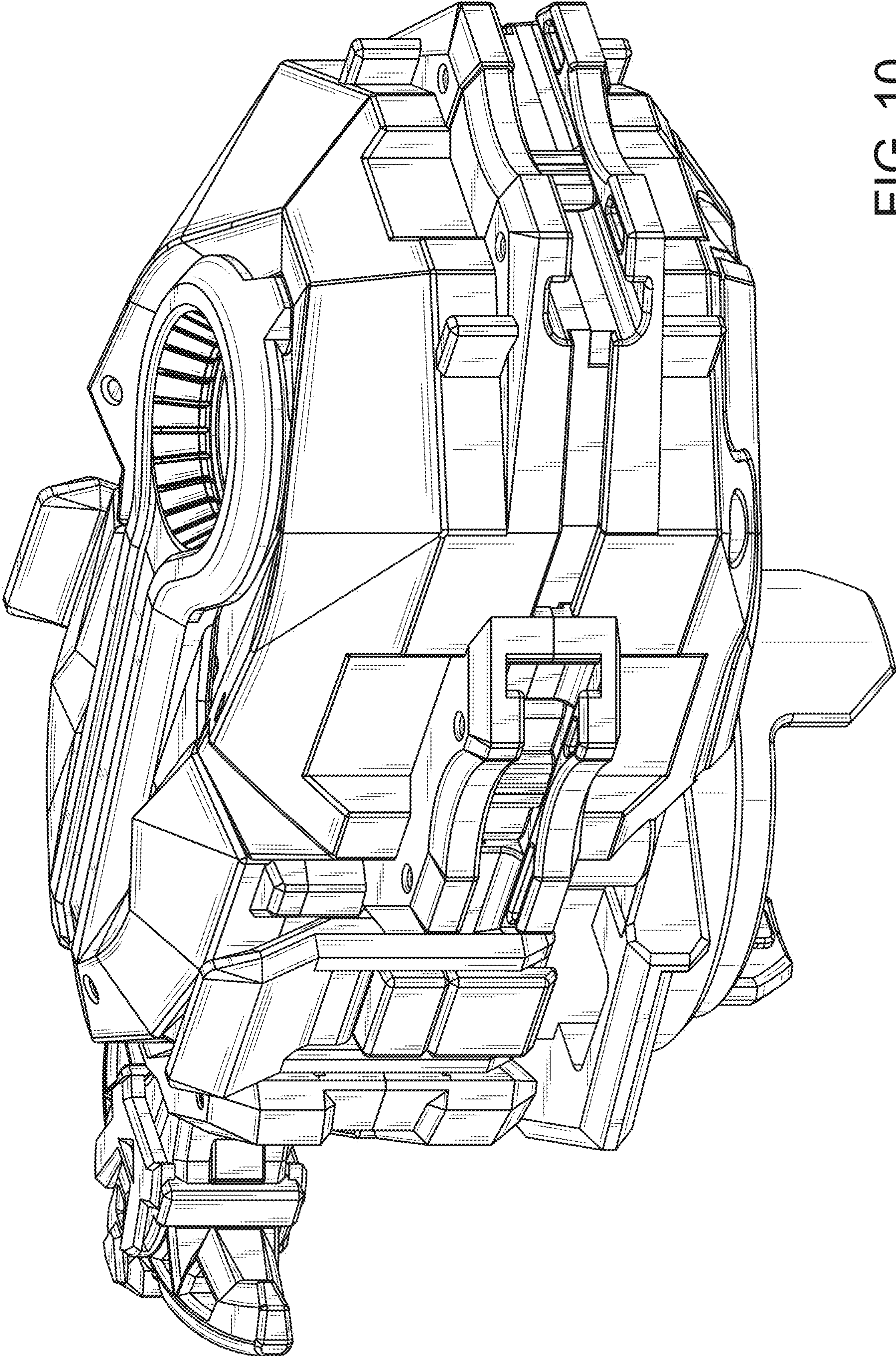


FIG. 10