



US00D969223S

(12) **United States Design Patent** (10) **Patent No.:** **US D969,223 S**
Shin (45) **Date of Patent:** **** Nov. 8, 2022**

(54) **GAMING CABINET**

2020/0051374 A1* 2/2020 Solaja G07F 17/3223
2020/0051377 A1* 2/2020 Montenegro G07F 17/3225
2021/0035402 A1* 2/2021 Rye G07F 17/3216

(71) Applicant: **iiRcade, Inc.**, Skokie, IL (US)

(72) Inventor: **Jong-Wook Shin**, Wilmette, IL (US)

OTHER PUBLICATIONS

(73) Assignee: **iiRcade, Inc.**, Skokie, IL (US)

Basic fun store, announced 2016 [online], [site visited Jun. 14, 2022]. Available on internet, URL:https://www.amazon.com/Arcade-Classics-Pac-Man-Retro-Mini/dp/B01DK2WO1C/ref (Year: 2016).*
My arcade store, announced 2019 [online], [site visited Jun. 14, 2022]. Available on internet, URL:https://www.amazon.com/Arcade-Machine-Handheld-Gaming-System-electronic/dp/B00S4HI1NY/ref (Year: 2019).*

(**) Term: **15 Years**

(21) Appl. No.: **29/740,466**

(22) Filed: **Jul. 3, 2020**

(51) **LOC (13) Cl.** **21-03**

* cited by examiner

(52) **U.S. Cl.**

USPC **D21/369**

(58) **Field of Classification Search**

USPC D21/329, 332, 333, 365, 385, 694, 371,
D21/325, 324, 336, 369; D14/307, 308,
D14/302

Primary Examiner — Khawaja Anwar

Assistant Examiner — Julice Seung Eun Oum

(74) *Attorney, Agent, or Firm* — Brient IP Law, LLC

See application file for complete search history.

(57) **CLAIM**

The ornamental design of a gaming cabinet, as shown and described.

(56) **References Cited**

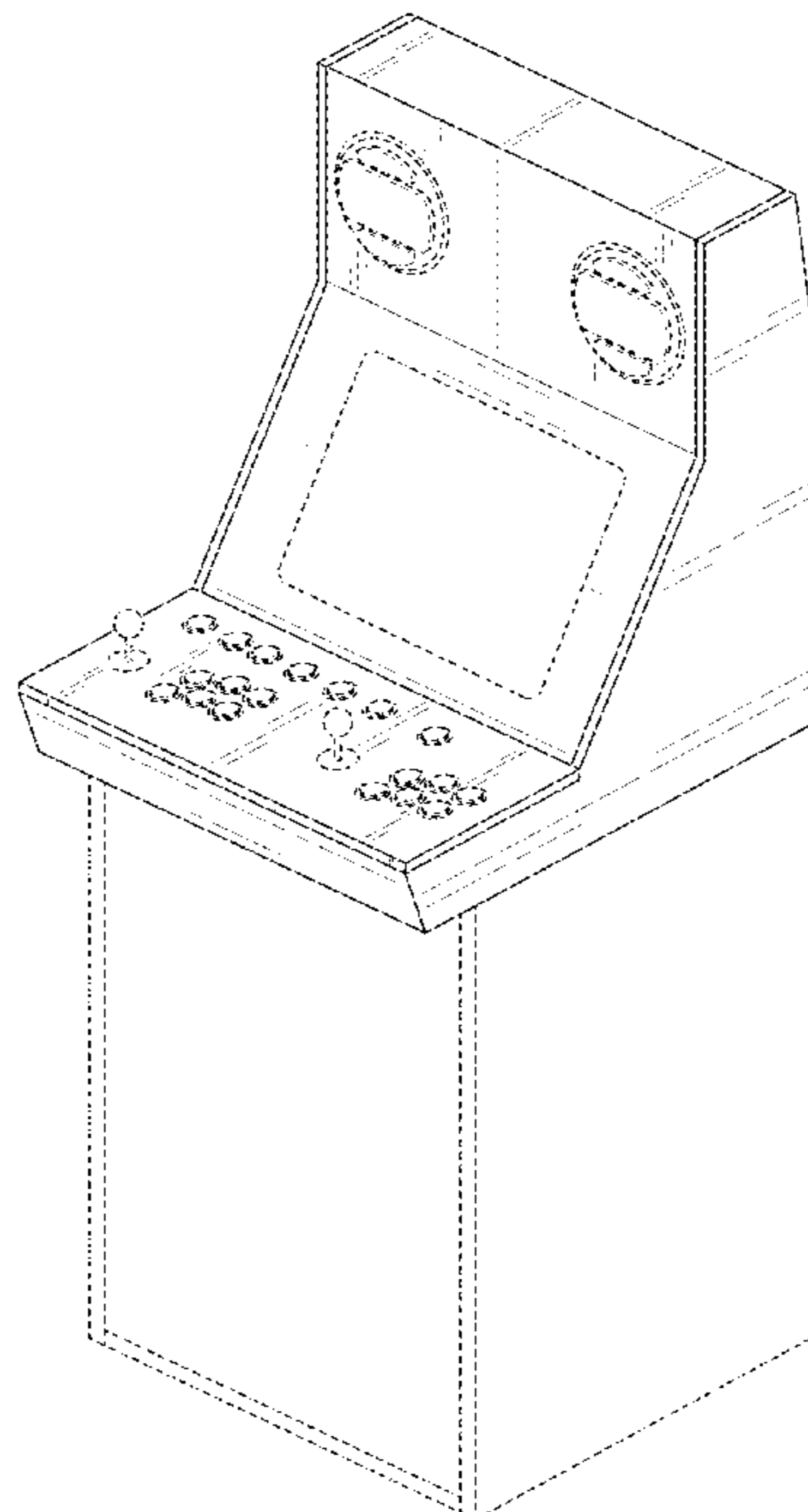
U.S. PATENT DOCUMENTS

D603,909 S * 11/2009 De Viveiros Ortiz D21/325
D615,598 S * 5/2010 McComb D21/370
D677,736 S * 3/2013 Dorn D21/370
D727,431 S * 4/2015 Themann D21/370
D732,520 S * 6/2015 Themann D14/307
D913,379 S * 3/2021 Calhoun Lewis D21/369
D948,621 S * 4/2022 Jadeja D21/370
D951,359 S * 5/2022 Lawson D21/370
2007/0238511 A1* 10/2007 Sato G07F 17/3267
463/20
2013/0303265 A1* 11/2013 Wilkins G07F 17/3223
463/20
2014/0274292 A1* 9/2014 Suda G07F 17/34
463/20

DESCRIPTION

FIG. 1 is a perspective view of a first embodiment of a gaming cabinet showing the claimed design;
FIG. 2 is a front elevation view;
FIG. 3 is a rear elevation;
FIG. 4 is a right-side elevation view;
FIG. 5 is a left side elevation view;
FIG. 6 is a top plan view; and,
FIG. 7 is a bottom plan view.
The broken lines are for illustrative purposes only and form no part of the claimed design.

1 Claim, 7 Drawing Sheets



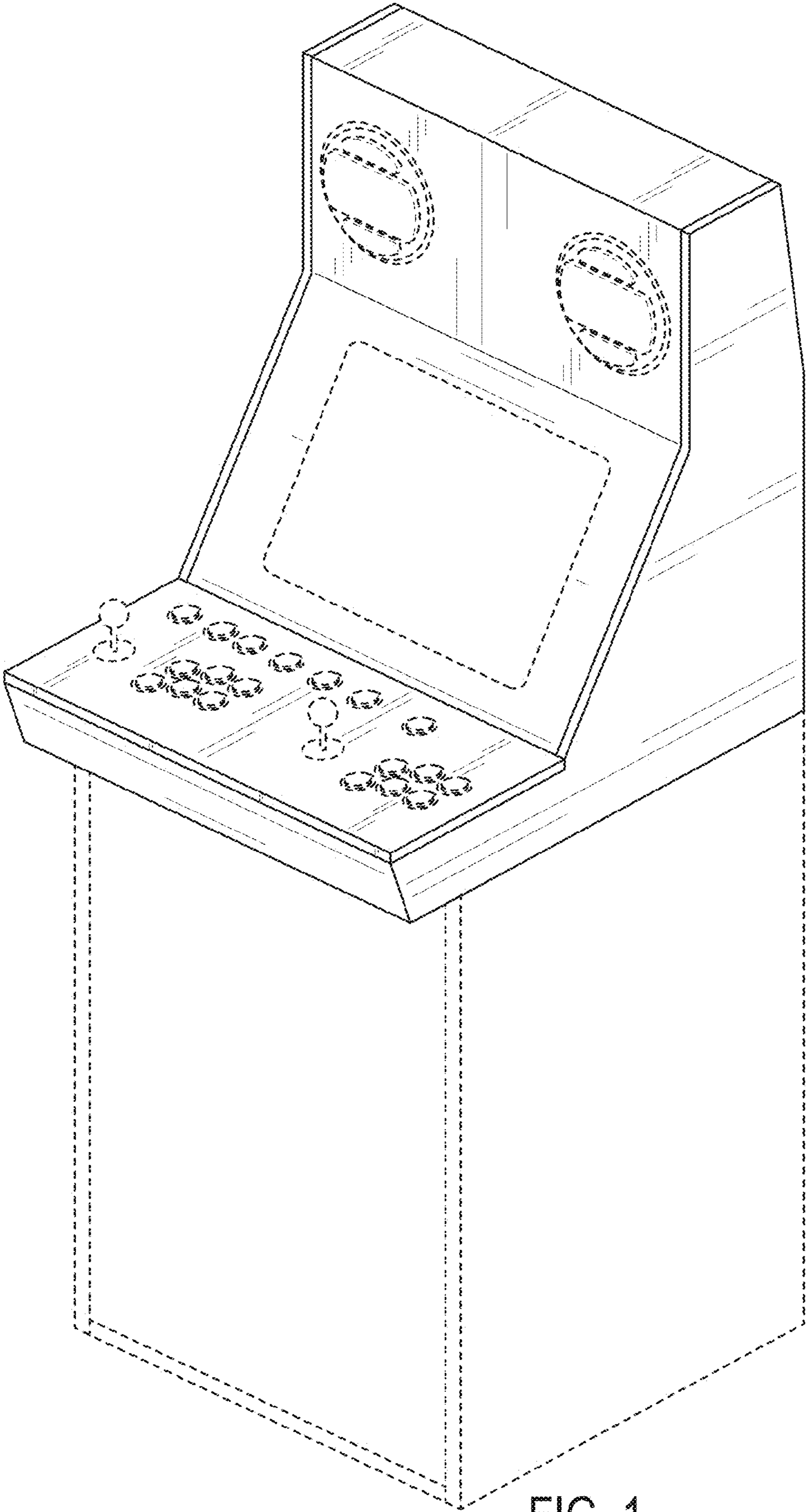


FIG. 1

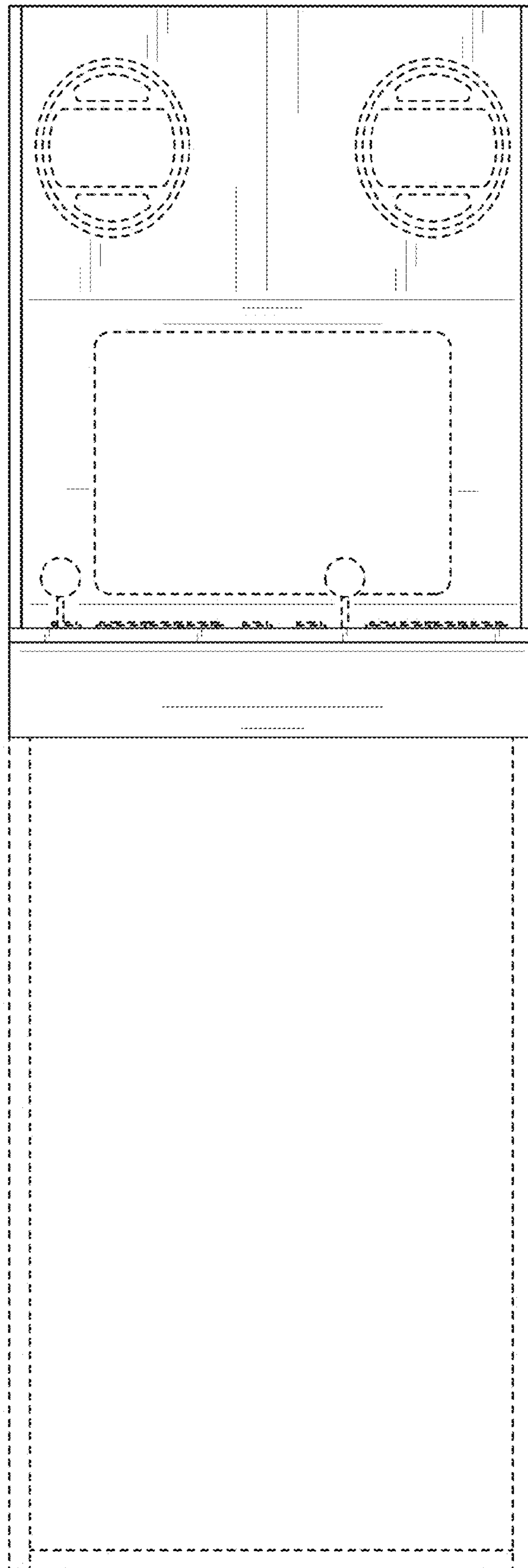


FIG. 2

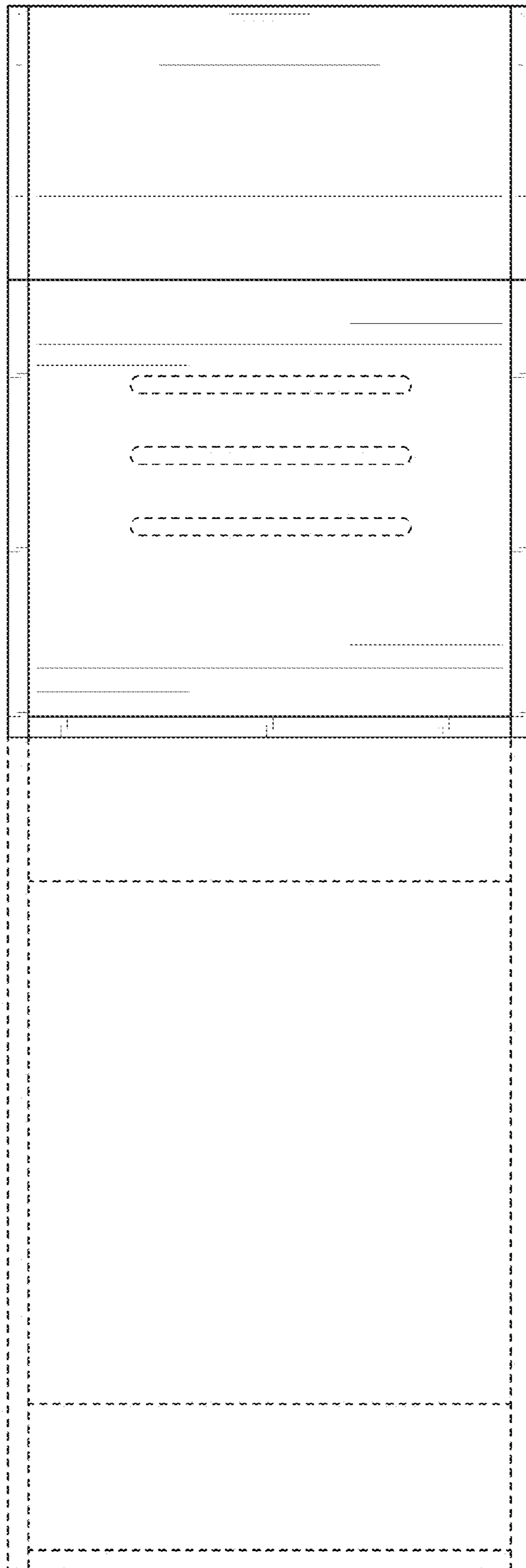


FIG. 3

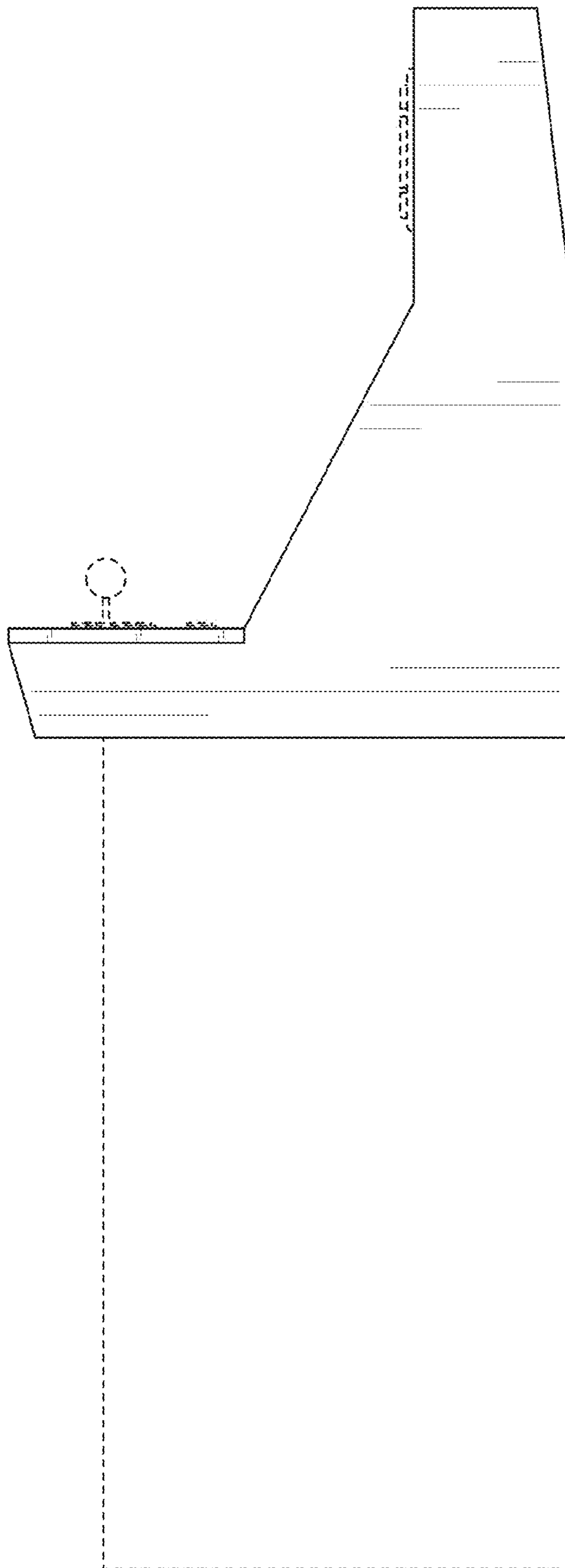


FIG. 4

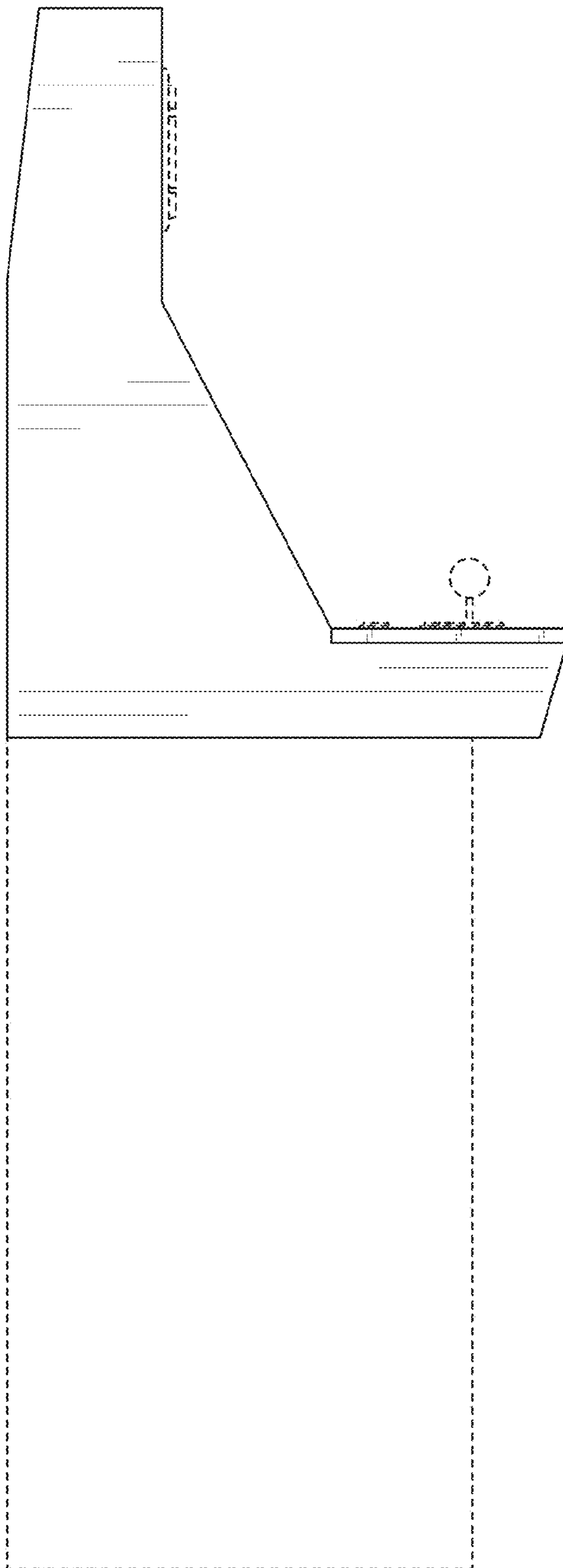


FIG. 5

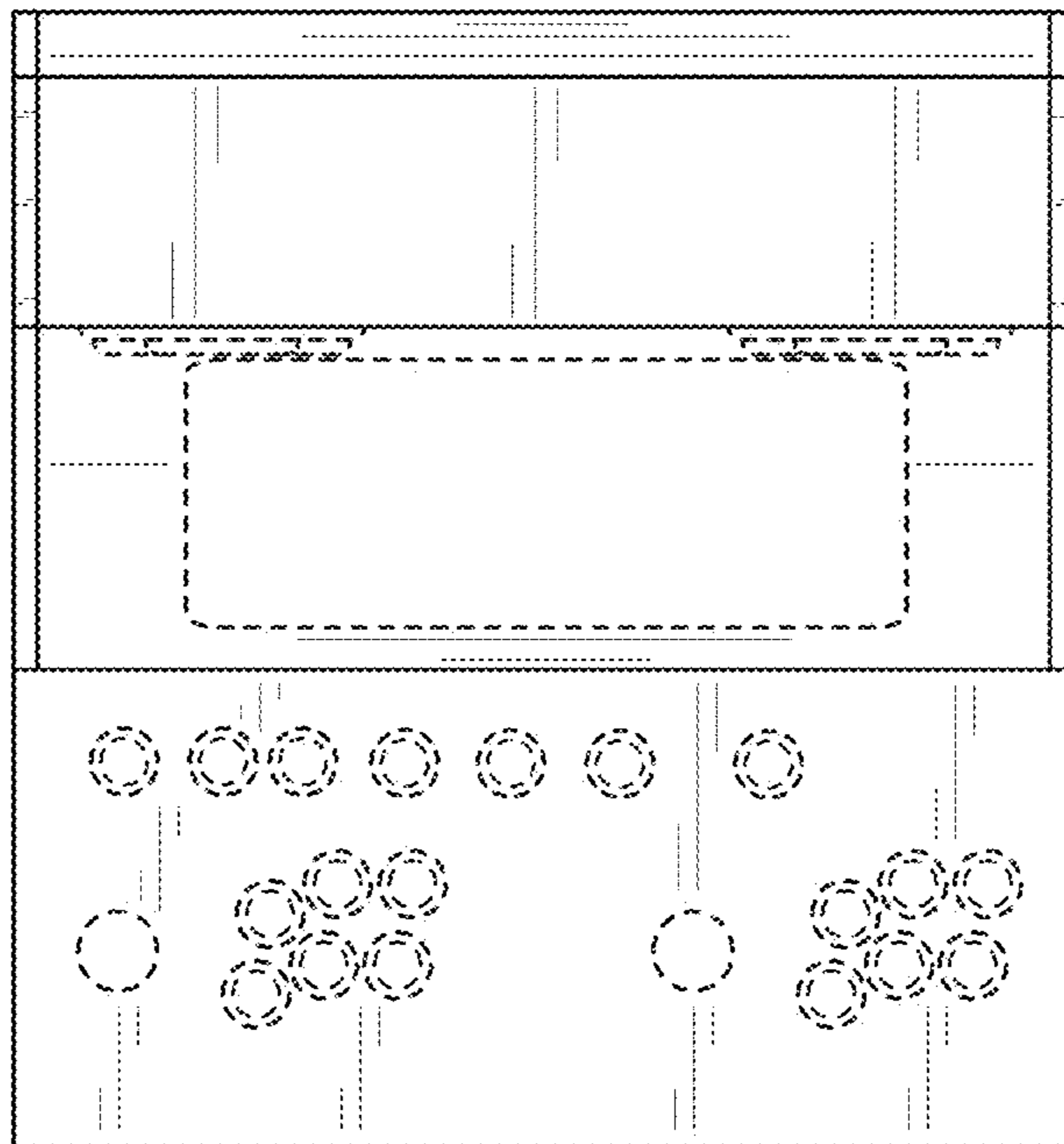


FIG. 6

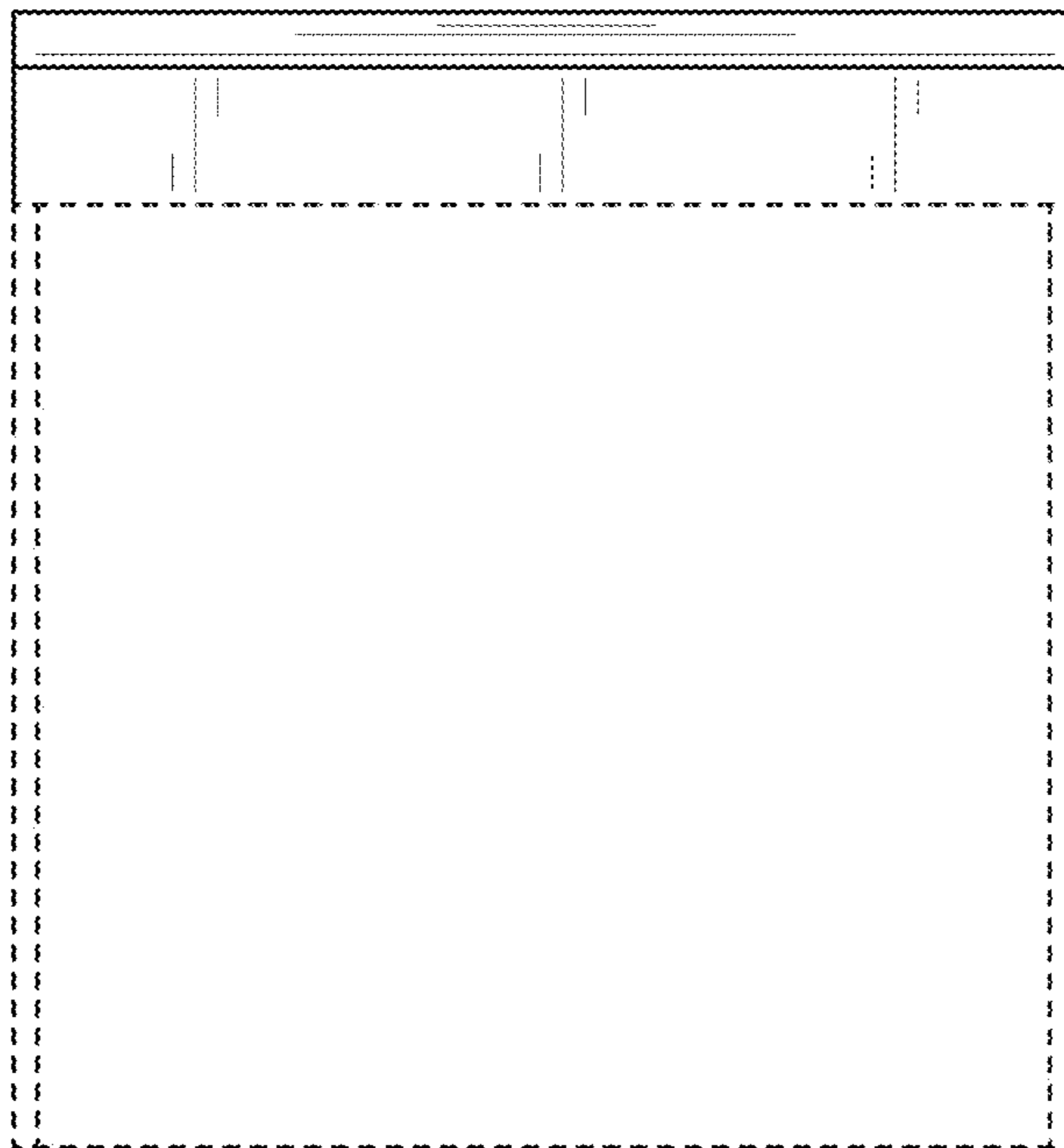


FIG. 7