



US00D969207S

(12) **United States Design Patent**
Yamagishi

(10) **Patent No.:** **US D969,207 S**

(45) **Date of Patent:** **** Nov. 8, 2022**

(54) **DEVELOPING CARTRIDGE**

(71) Applicant: **KYOCERA DOCUMENT SOLUTIONS INC.**, Osaka (JP)

(72) Inventor: **Rei Yamagishi**, Osaka (JP)

(73) Assignee: **KYOCERA DOCUMENT SOLUTIONS INC.**, Osaka (JP)

(**) Term: **15 Years**

(21) Appl. No.: **29/761,646**

(22) Filed: **Dec. 10, 2020**

(51) **LOC (13) Cl.** **16-03**

(52) **U.S. Cl.**
USPC **D18/40**

(58) **Field of Classification Search**
USPC D18/40, 43, 46, 47, 48, 53, 54, 55, 56;
D15/122, 135, 138; D14/314, 432
CPC . G06T 2207/30196; G06T 2207/30242; G06T
7/70; G06F 3/126; G06F 3/1284
See application file for complete search history.

(56) **References Cited**

U.S. PATENT DOCUMENTS

D374,250 S *	10/1996	Yabuki	D18/43
D386,518 S *	11/1997	Miyamoto	D18/43
D464,370 S *	10/2002	Kunihiro	D18/43
D477,631 S *	7/2003	Mori	D18/40
D490,843 S *	6/2004	Minagawa	D18/43
D529,076 S *	9/2006	Kobayashi	D18/43
D546,873 S *	7/2007	Otani	D18/43
D718,380 S *	11/2014	Mori	D18/43
D831,738 S *	10/2018	Kang	D18/43
D934,339 S *	10/2021	Amann	D18/43
2008/0240777 A1 *	10/2008	Kwon	G03G 21/1853 399/117
2015/0192878 A1 *	7/2015	Iriyama	G03G 21/1676 399/119
2017/0269542 A1 *	9/2017	Itabashi	G03G 21/1867

2017/0277076 A1 *	9/2017	Itabashi	G03G 21/1647
2018/0011423 A1 *	1/2018	Itabashi	G03G 15/0889
2018/0095410 A1 *	4/2018	Itabashi	G03G 15/0896
2018/0095411 A1 *	4/2018	Itabashi	G03G 21/1676

(Continued)

FOREIGN PATENT DOCUMENTS

CN	301939753	*	5/2012
CN	303248367	*	6/2015

OTHER PUBLICATIONS

KYOCERA Cartridge,tineye,vapaakauppa.net,date found Apr. 3, 2018,date retrieved 7-8-2022-29761646-https://tineye.com/search/e26ab77590eb6b589583912b73cd91d4f0aaafb7?sort=score&order=desc&page=1 (Year: 2018).*

(Continued)

Primary Examiner — Jennifer L Rempfer
Assistant Examiner — Danielle Nichole Bowly
(74) *Attorney, Agent, or Firm* — Nixon & Vanderhye

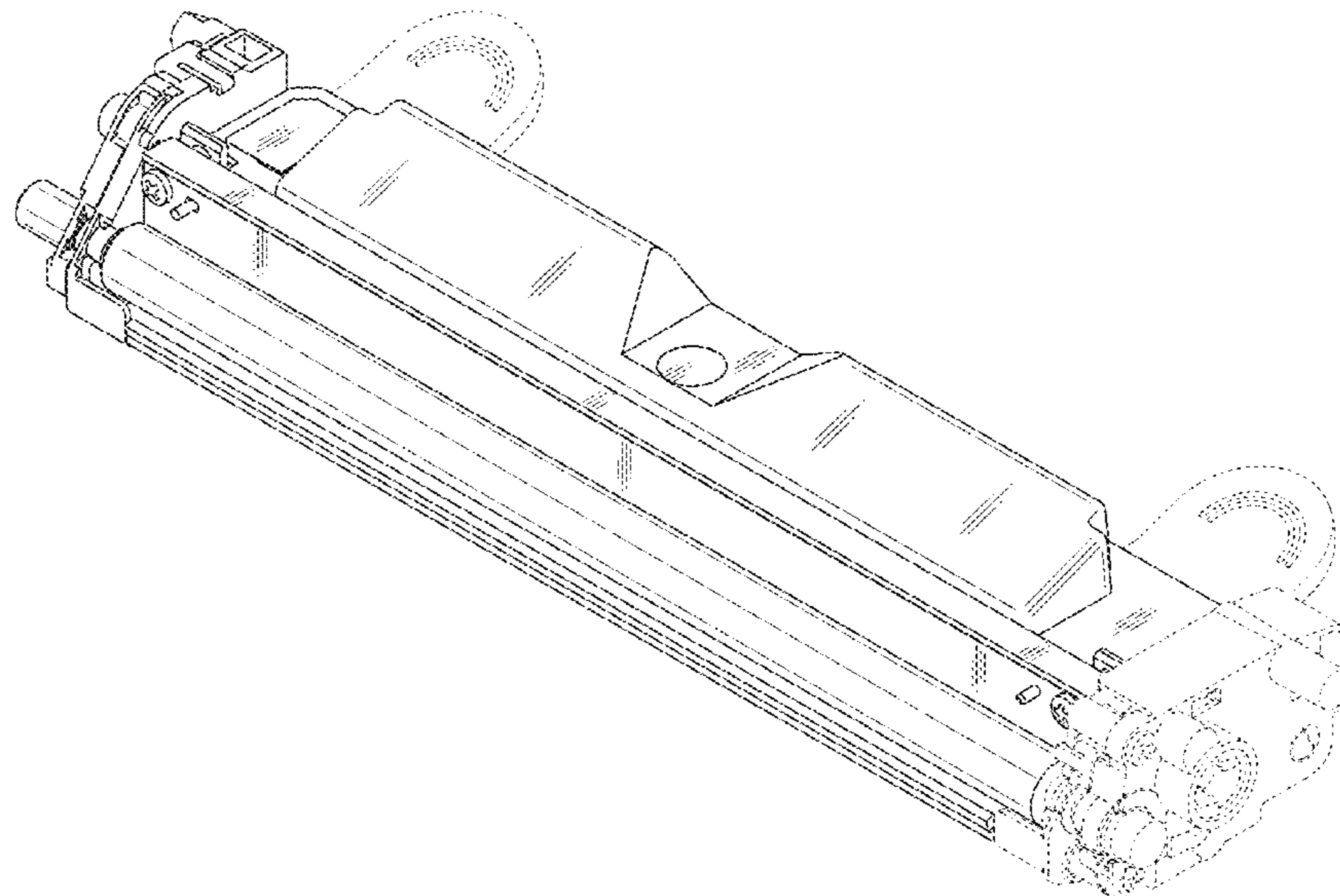
(57) **CLAIM**

The ornamental design for a developing cartridge, as shown and described.

DESCRIPTION

FIG. 1 is a front perspective view of front, top and right side of a developing cartridge showing my new design;
FIG. 2 is a rear perspective view of rear, bottom and left side thereof;
FIG. 3 is a front view thereof;
FIG. 4 is a rear view thereof;
FIG. 5 is a left side view thereof;
FIG. 6 is a right side view thereof;
FIG. 7 is a top plan view thereof; and,
FIG. 8 is a bottom plan view thereof.
The broken lines in the figures are included for the purpose of illustrating portions of the developing cartridge that form no part of the claimed design.

1 Claim, 6 Drawing Sheets



(56)

References Cited

U.S. PATENT DOCUMENTS

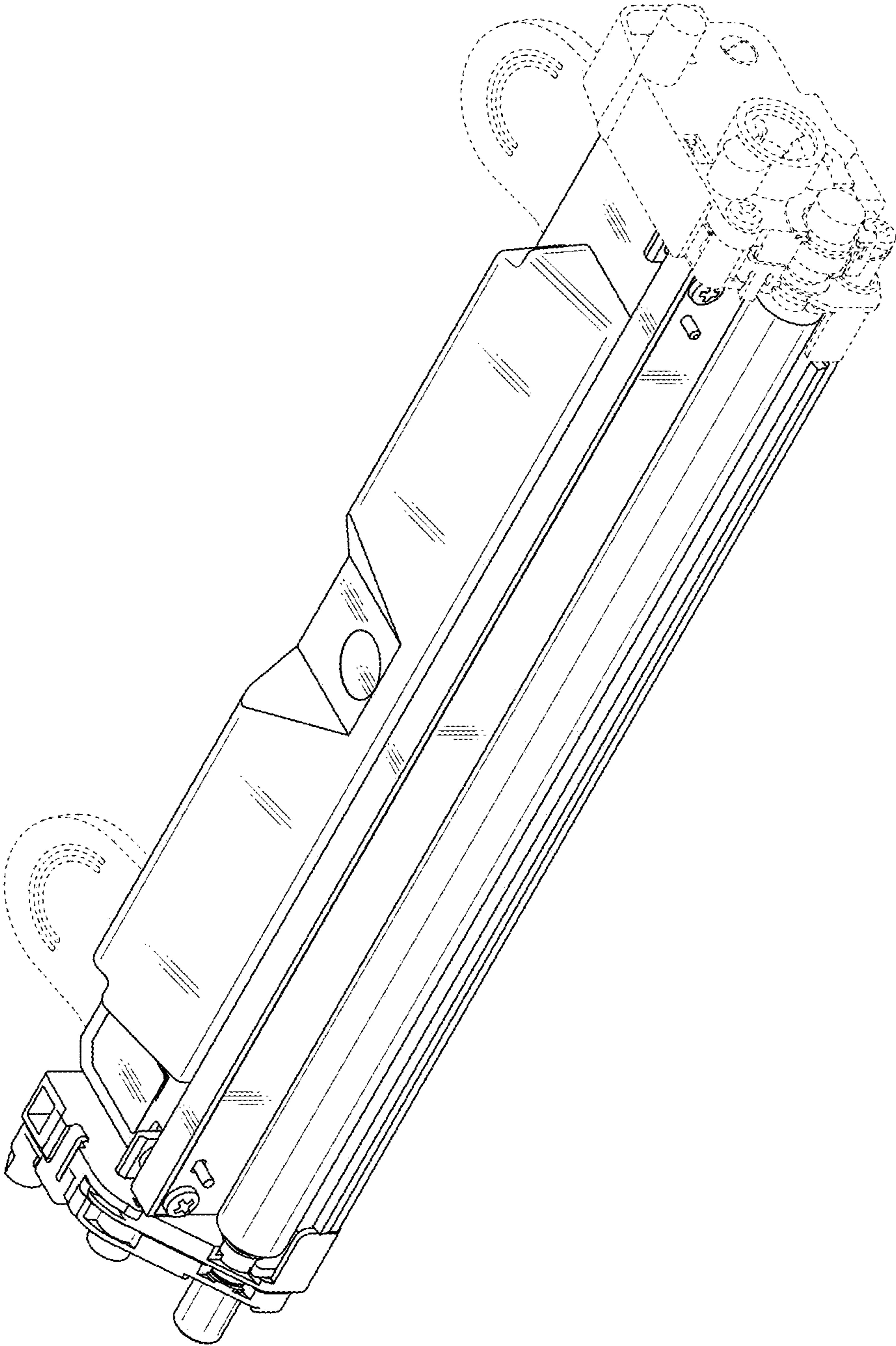
2020/0310340 A1* 10/2020 Itabashi G03G 15/0813
2022/0100121 A1* 3/2022 Zhou G03G 15/0808

OTHER PUBLICATIONS

KYOCERA Cartridge,tineye,avito.ru,date found Apr. 26, 2016,date
retrieved 7-8-2022-29761646-[https://tineye.com/search/
f54536b68941e4e61c76b06987cd85ebb0c3a5fd?sort=score&order=
desc&page=1](https://tineye.com/search/f54536b68941e4e61c76b06987cd85ebb0c3a5fd?sort=score&order=desc&page=1) (Year: 2016).*

* cited by examiner

FIG. 1



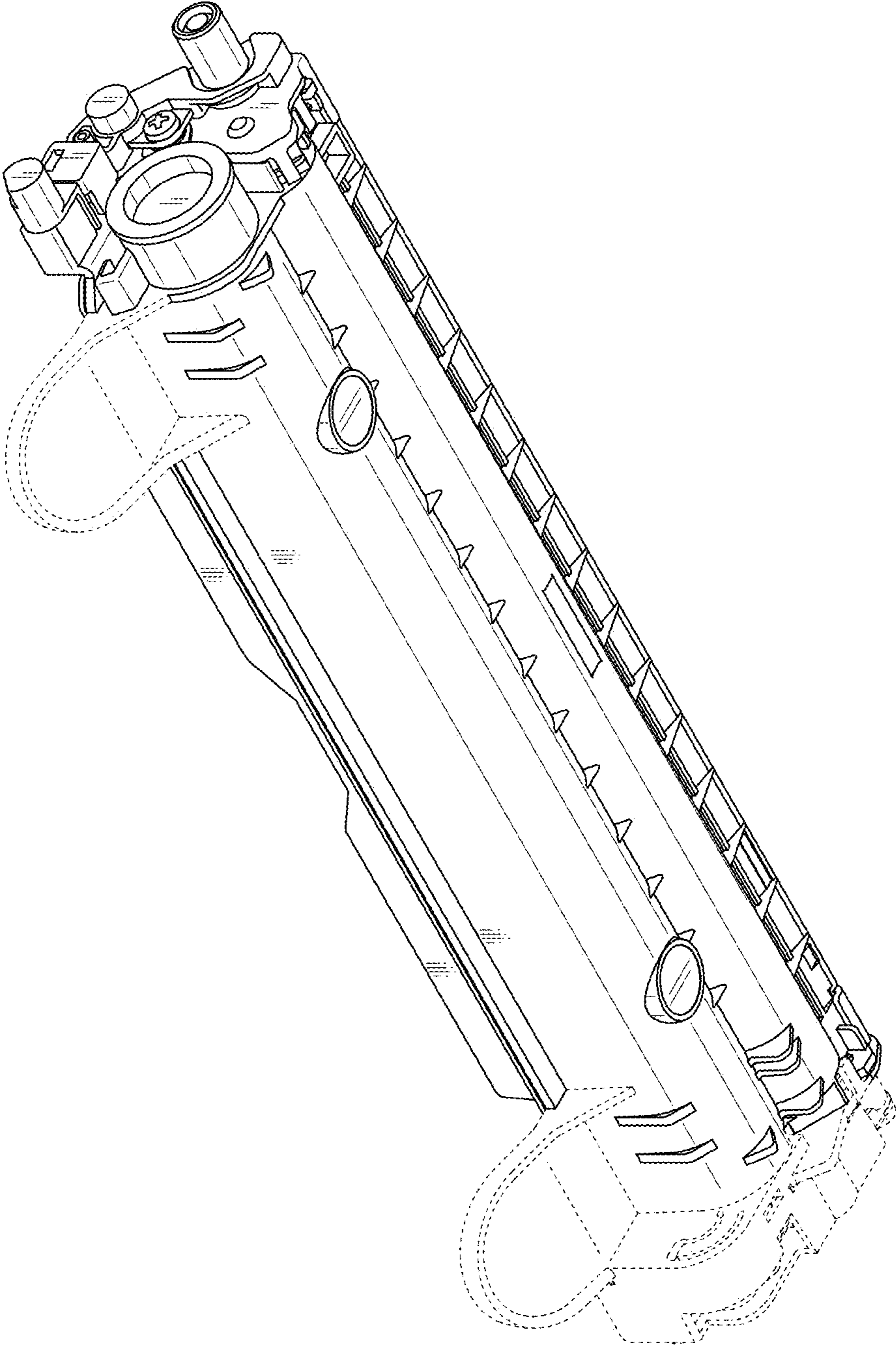


FIG. 2

FIG. 3

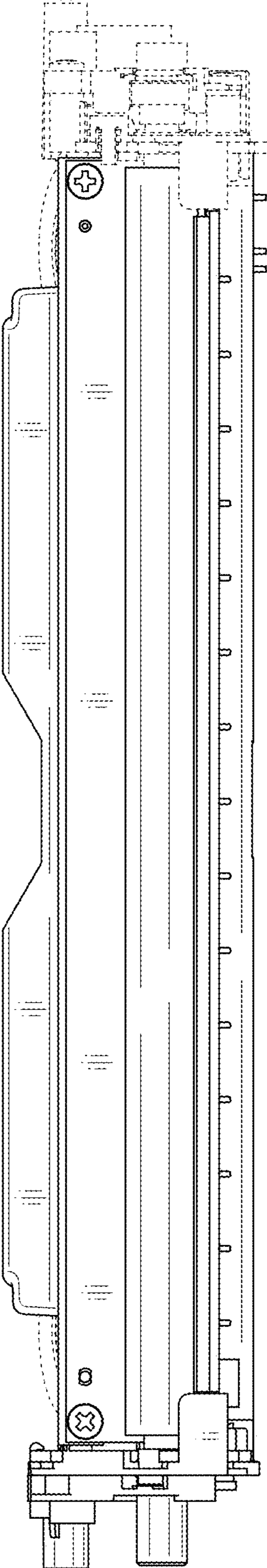


FIG. 4

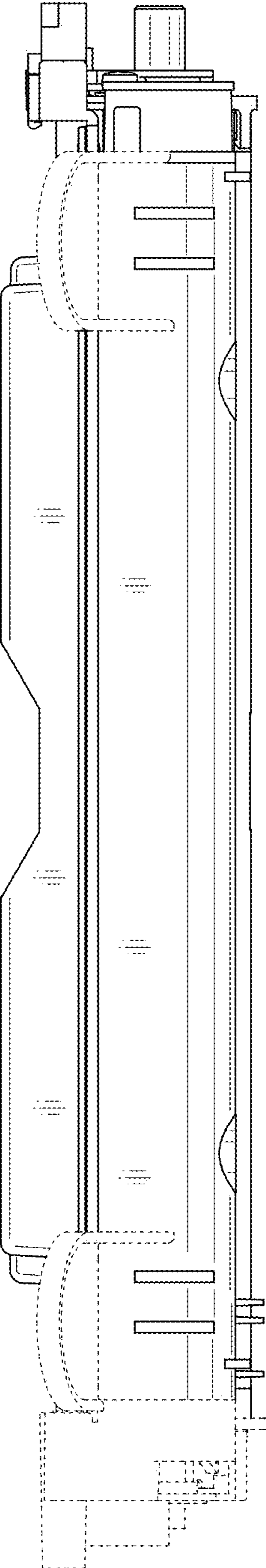


FIG. 6

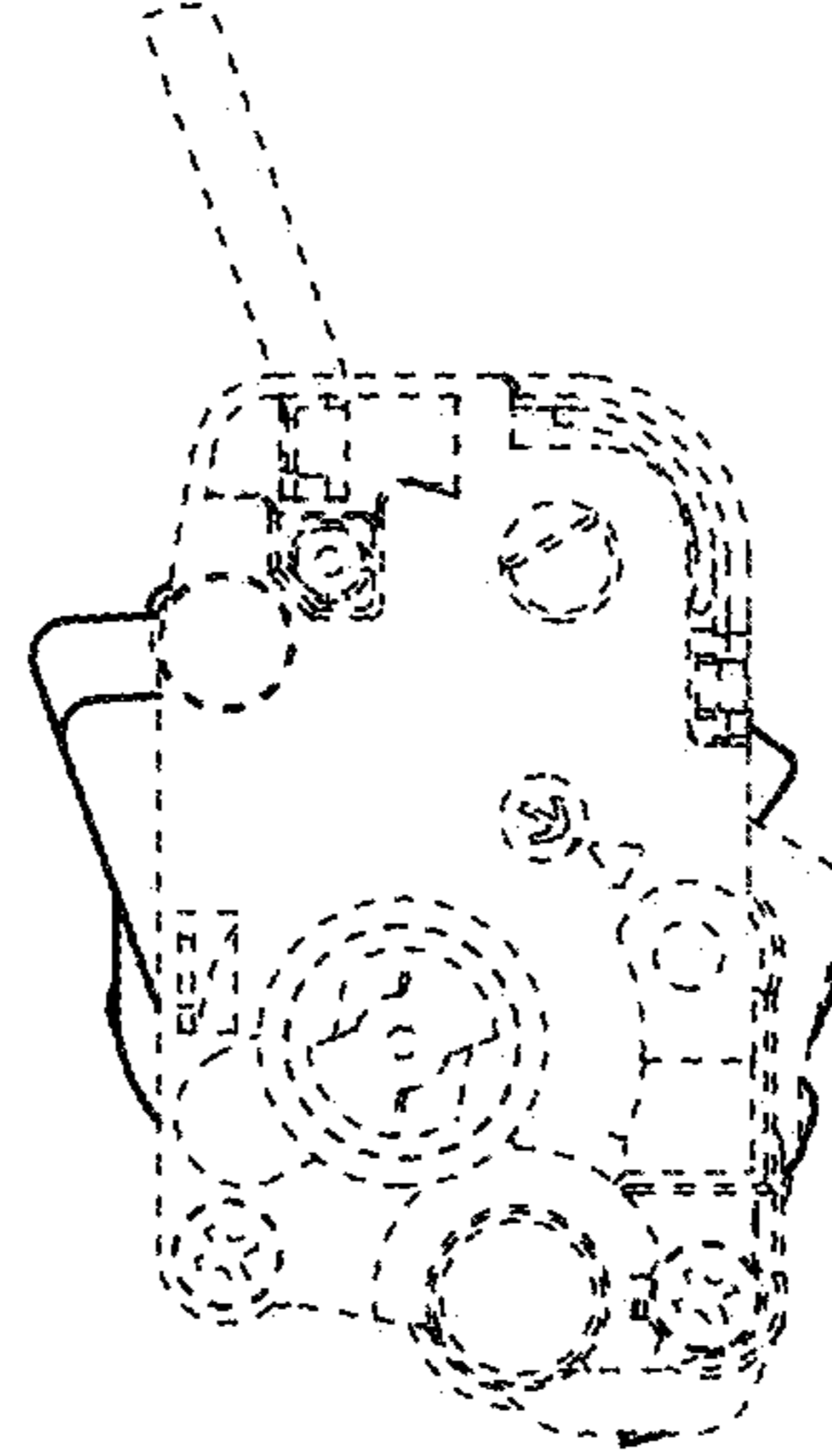


FIG. 5

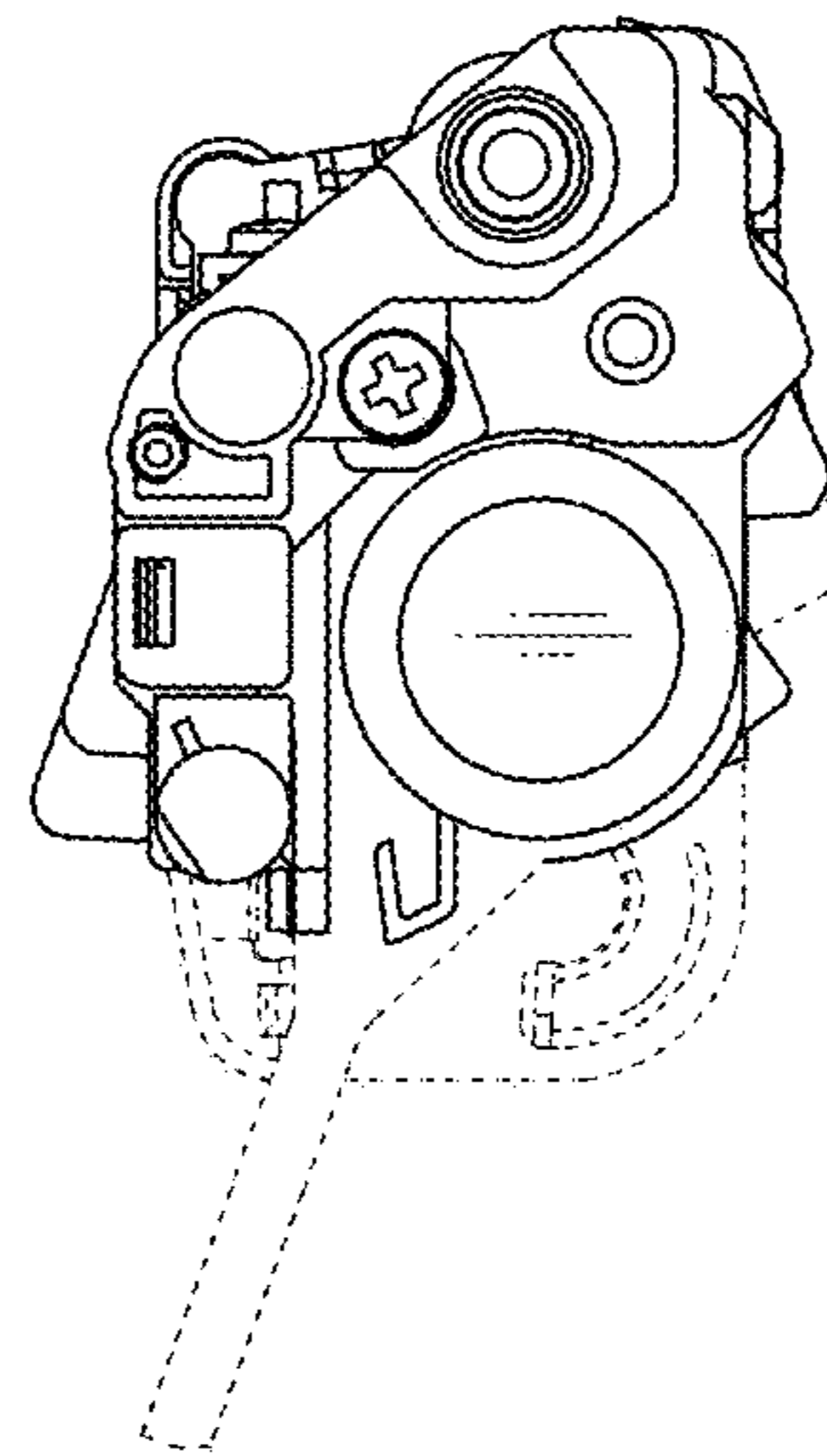


FIG. 7

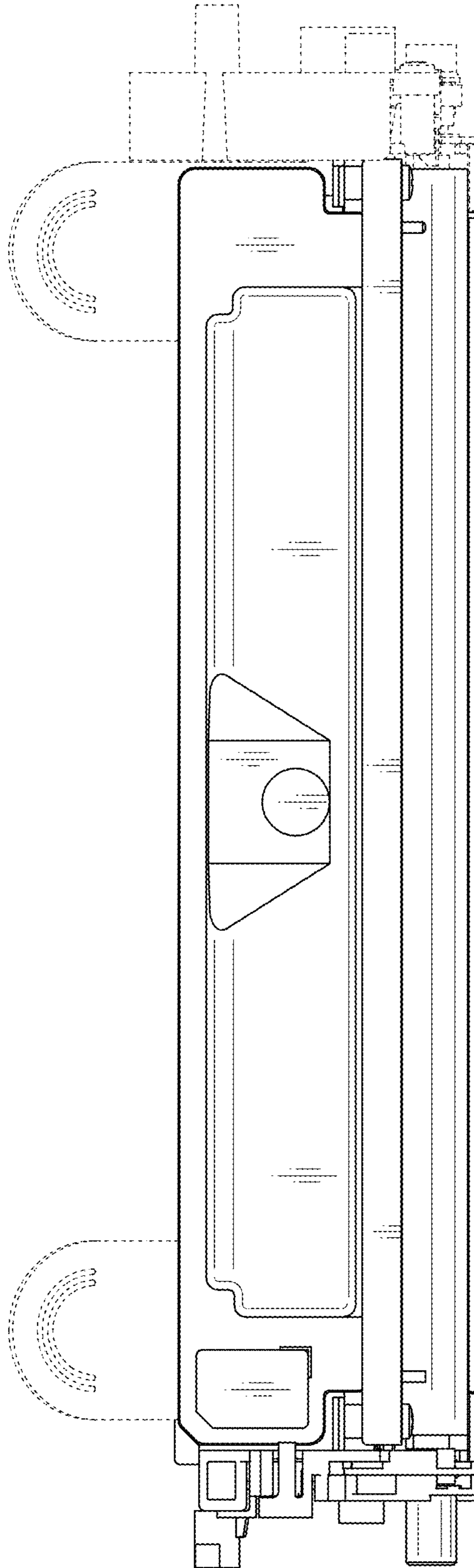


FIG. 8

