

US00D969205S

(12) **United States Design Patent** (10) **Patent No.:** **US D969,205 S**  
**Tysander** (45) **Date of Patent:** **\*\* Nov. 8, 2022**

(54) **SUNGLASSES**

OTHER PUBLICATIONS

(71) Applicant: **Daniel Wellington AB**, Stockholm (SE)

A Fangirl's Heart, Lee Sungkyung for Daniel Wellington eyewear limited edition, Classic Avion, published Jul. 19, 2020 ([https://twitter.com/afanheart\\_twt/status/1284762755862593542](https://twitter.com/afanheart_twt/status/1284762755862593542)).\*

(72) Inventor: **Filip Tysander**, Stockholm (SE)

(Continued)

(\*\*) Term: **15 Years**

*Primary Examiner* — Holly E Thurman

(21) Appl. No.: **35/511,038**

(57) **CLAIM**

(22) Filed: **Dec. 11, 2020**

The ornamental design for sunglasses, as shown and described.

(80) **Hague Agreement Data**

**DESCRIPTION**

Int. Filing Date: **Dec. 11, 2020**

The patent or application file contains at least one drawing executed in color. Copies of this patent or patent application publication with color drawing(s) will be provided by the Office upon request and payment of the necessary fee.

Int. Reg. No.: **DM/211741**

Int. Reg. Date: **Dec. 11, 2020**

Int. Reg. Pub. Date: **Dec. 25, 2020**

(30) **Foreign Application Priority Data**

Jun. 30, 2020 (EM) ..... 008023147

(51) **LOC (13) Cl.** ..... **16-06**

(52) **U.S. Cl.**

USPC ..... **D16/300**

(58) **Field of Classification Search**

USPC ..... D16/101, 300-342, 900

(Continued)

(56) **References Cited**

U.S. PATENT DOCUMENTS

D135,992 S \* 7/1943 Pomeranz ..... D16/320  
D302,559 S \* 8/1989 Samuel ..... D16/320

(Continued)

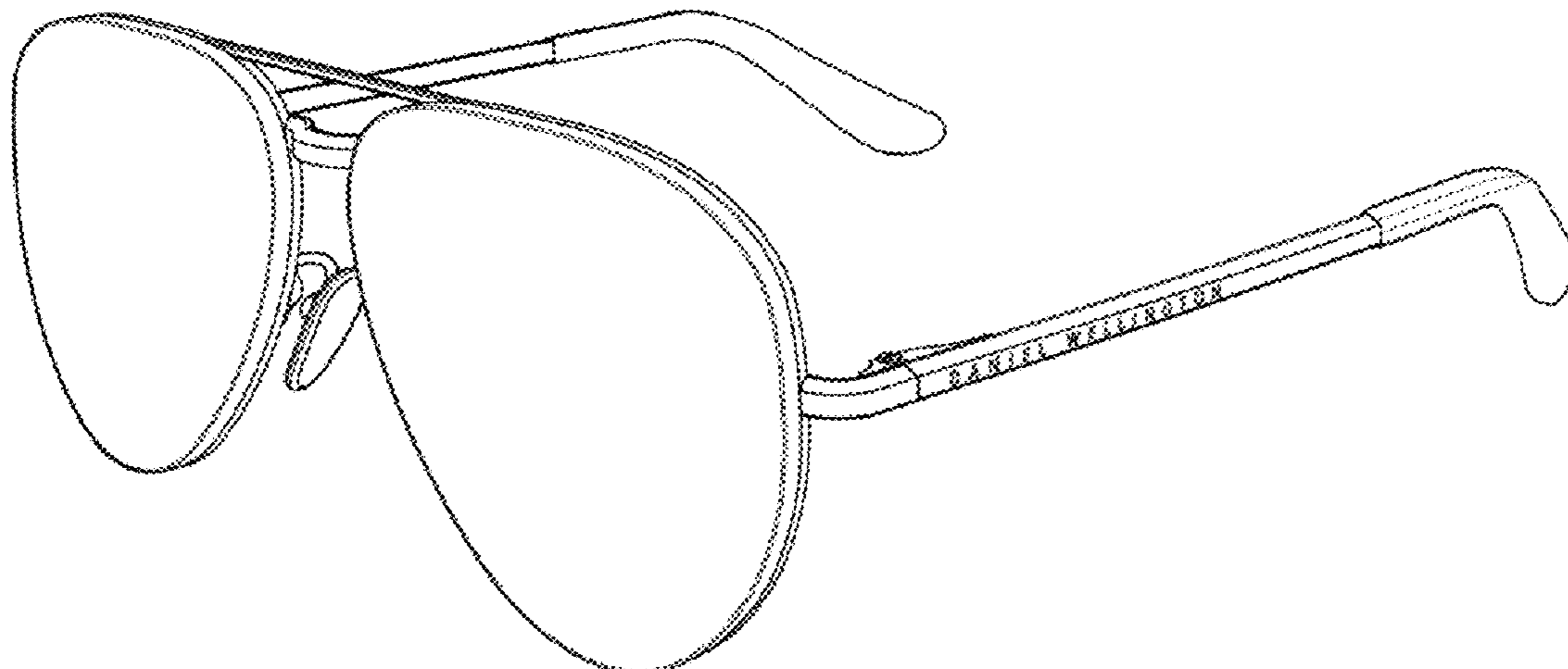
FOREIGN PATENT DOCUMENTS

EM 003366921-0017 9/2016  
EM 004168243-0015 9/2017  
EM 005592003-0009 8/2018

- 1.-3. Sunglasses
- 1.1 : Perspective
- 1.2 : Front
- 1.3 : Top
- 1.4 : Left
- 1.5 : Bottom
- 1.6 : Back
- 1.7 : Right
- 2.1 : Perspective
- 2.2 : Front
- 2.3 : Top
- 2.4 : Left
- 2.5 : Bottom
- 2.6 : Back
- 2.7 : Right
- 3.1 : Perspective
- 3.2 : Front
- 3.3 : Top
- 3.4 : Left
- 3.5 : Bottom
- 3.6 : Back
- 3.7 : Right

The "DANIEL WELLINGTON" symbols forming part of the claimed design is a registered trademark of DANIEL WELLINGTON AB.

**1 Claim, 21 Drawing Sheets**  
**(7 of 21 Drawing Sheet(s) Filed in Color)**



(58) **Field of Classification Search**

CPC .... G02C 2200/28; G02C 11/02; G02C 11/12;  
G02C 5/14

See application file for complete search history.

(56) **References Cited**

U.S. PATENT DOCUMENTS

D643,459 S *	8/2011	Gonzalez .....	D16/335
D798,373 S *	9/2017	Jamin .....	D16/325
D815,187 S *	4/2018	Markovitz .....	D16/325
D871,493 S *	12/2019	Jamin .....	D16/300
D873,899 S *	1/2020	Jamin .....	D16/300

OTHER PUBLICATIONS

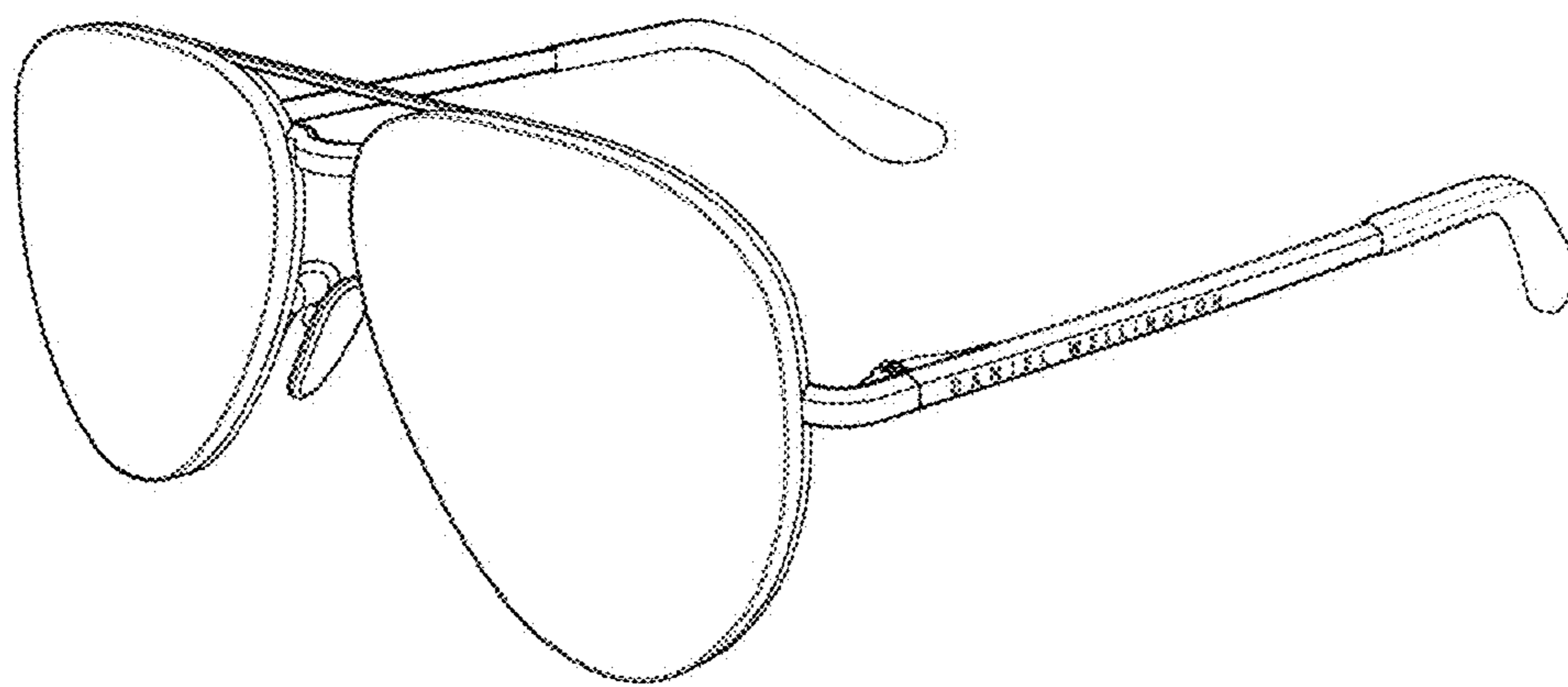
Asian Drama and KPop Vibes, #LeeSungkyung for Daniel Wellington, published Jul. 11, 2020 (<https://m.facebook.com/asiandramaandkpopvibes/posts/leesungkyung-for-daniel-wellington-/2616376761960048/>).\*

Quay Australia, Polarized Vivienne, published 2019 (<https://www.quayaustralia.com/products/vivienne>).\*

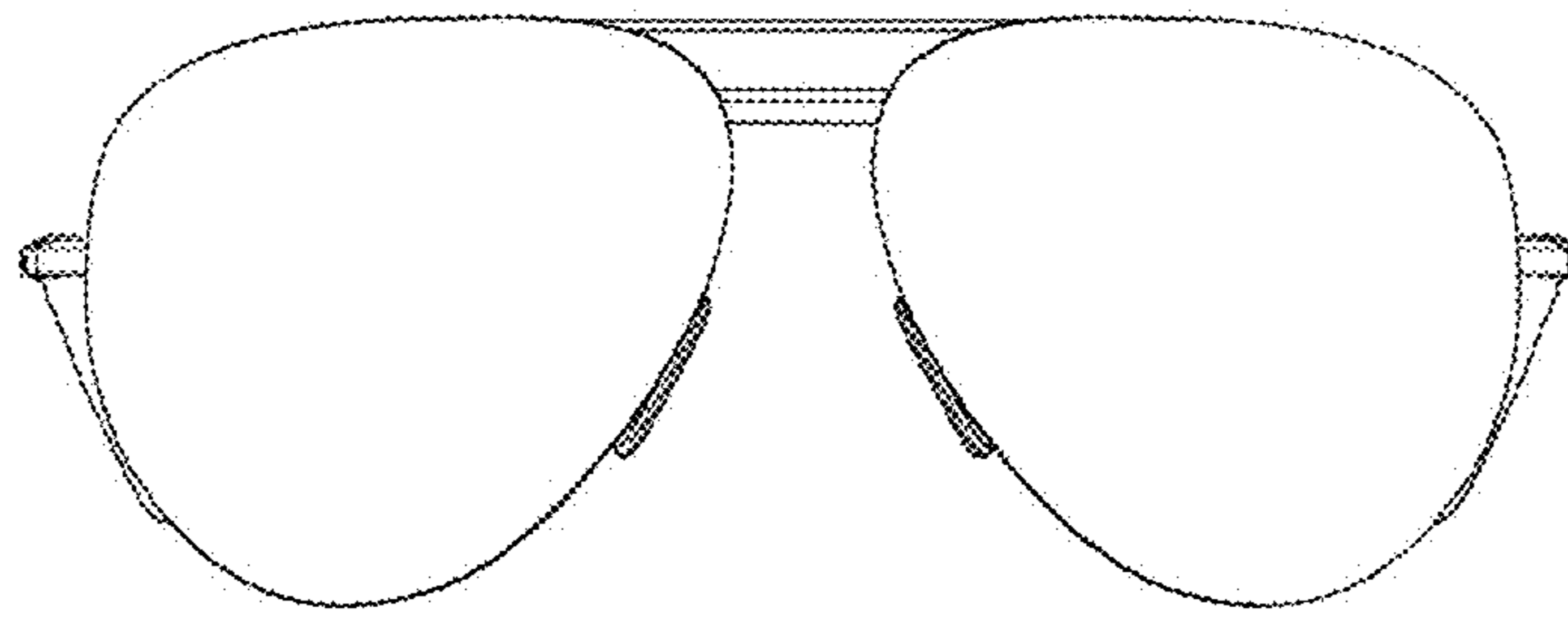
Corresponding International Registration No. DM/211741, Notification of Partial Refusal issued by the intellectual Property Agency of the Republic of Armenia Office, dated Mar. 4, 2021, 8 pages.

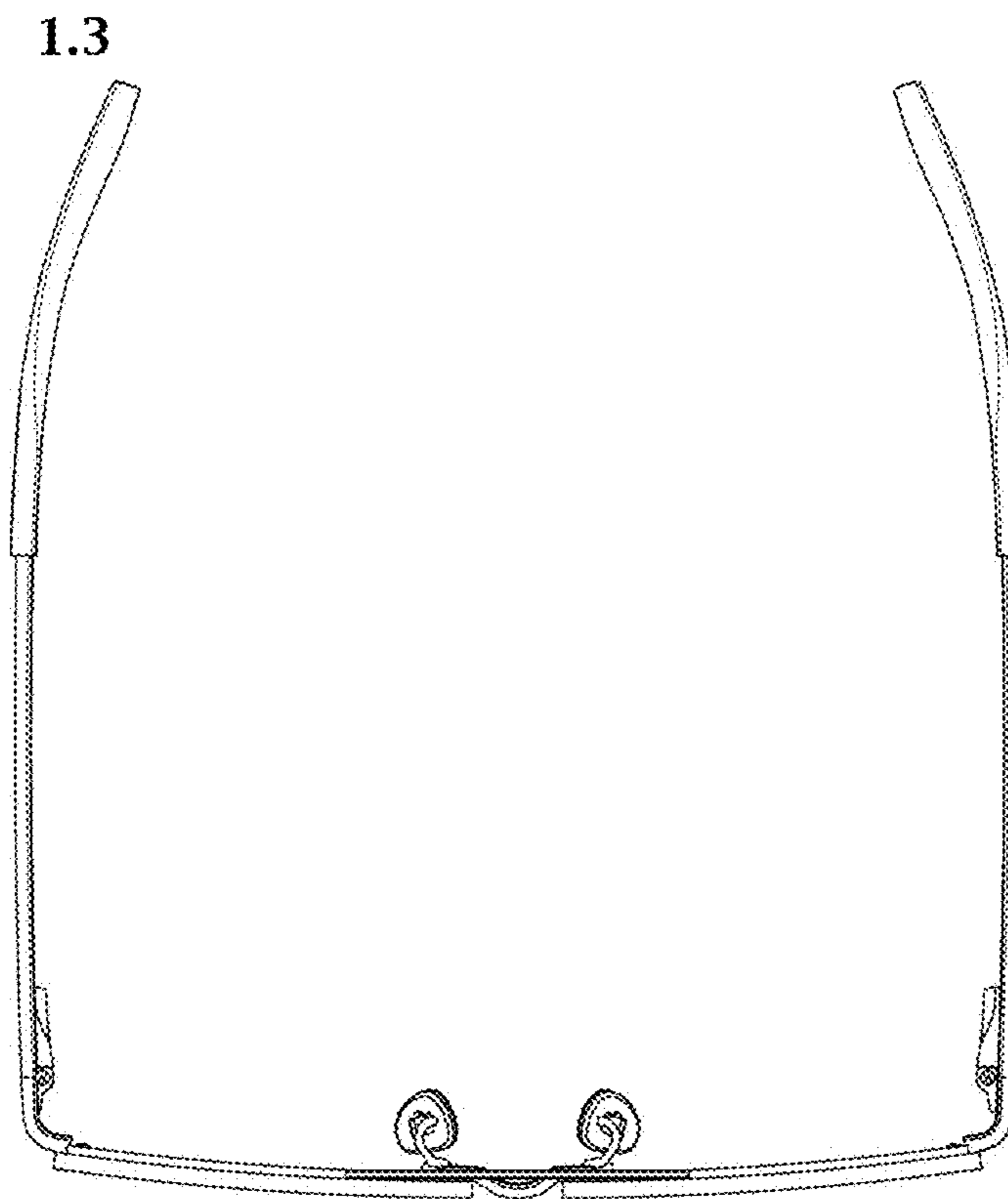
\* cited by examiner

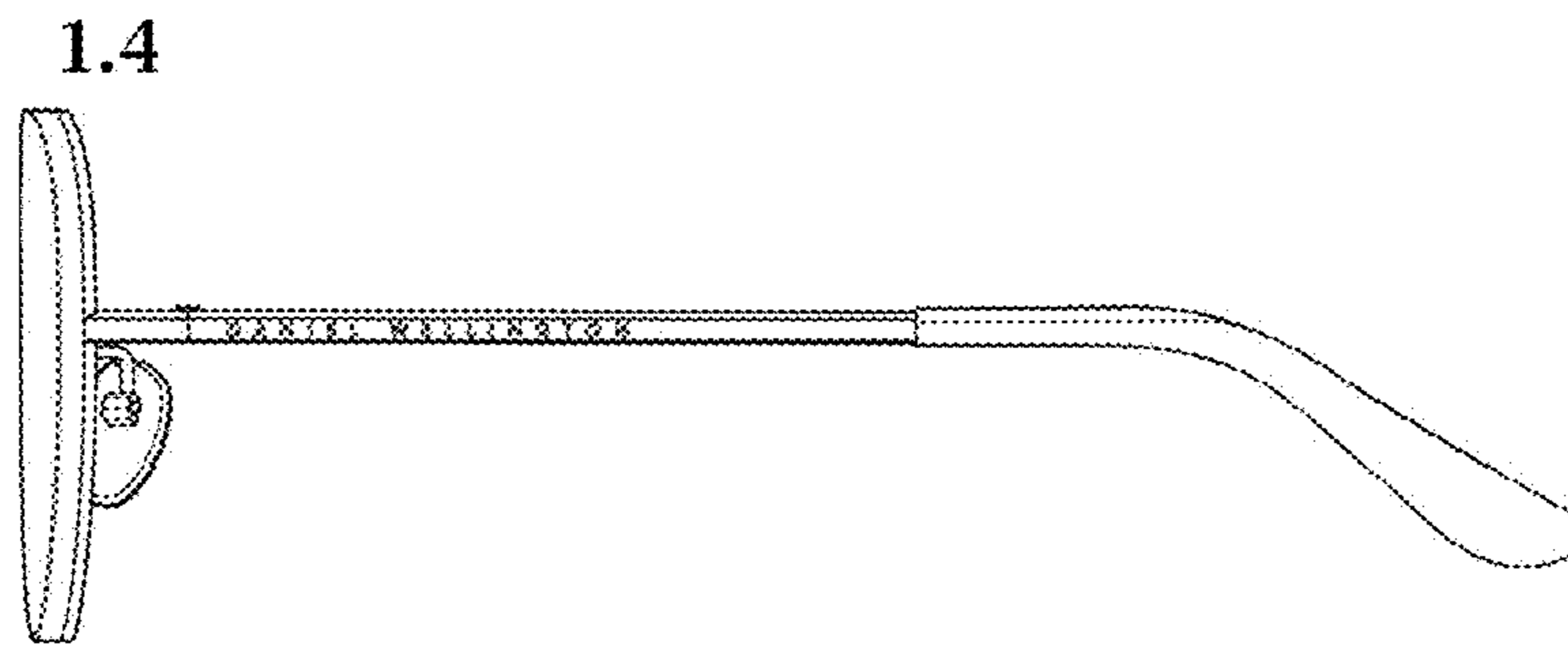
1.1



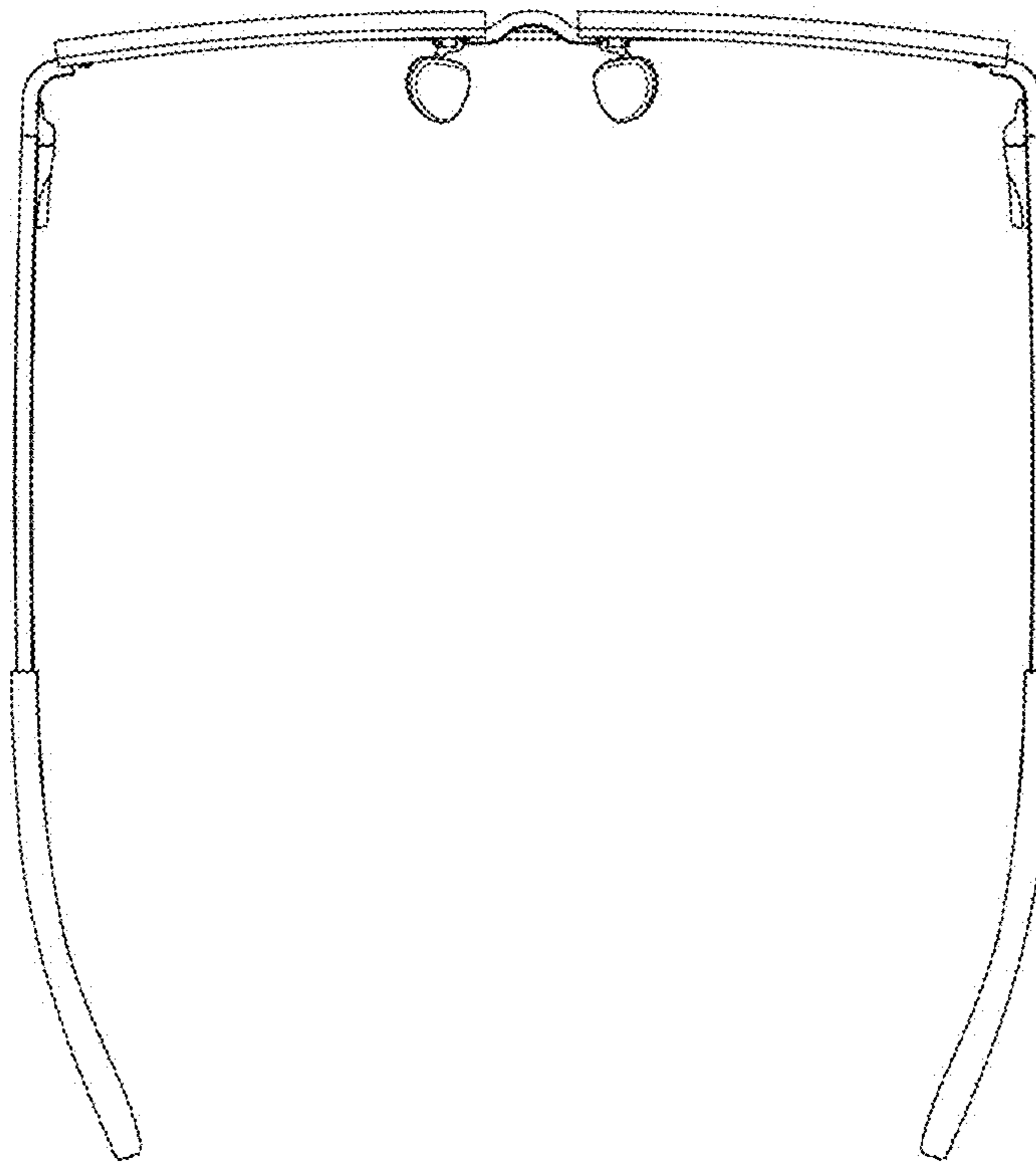
1.2



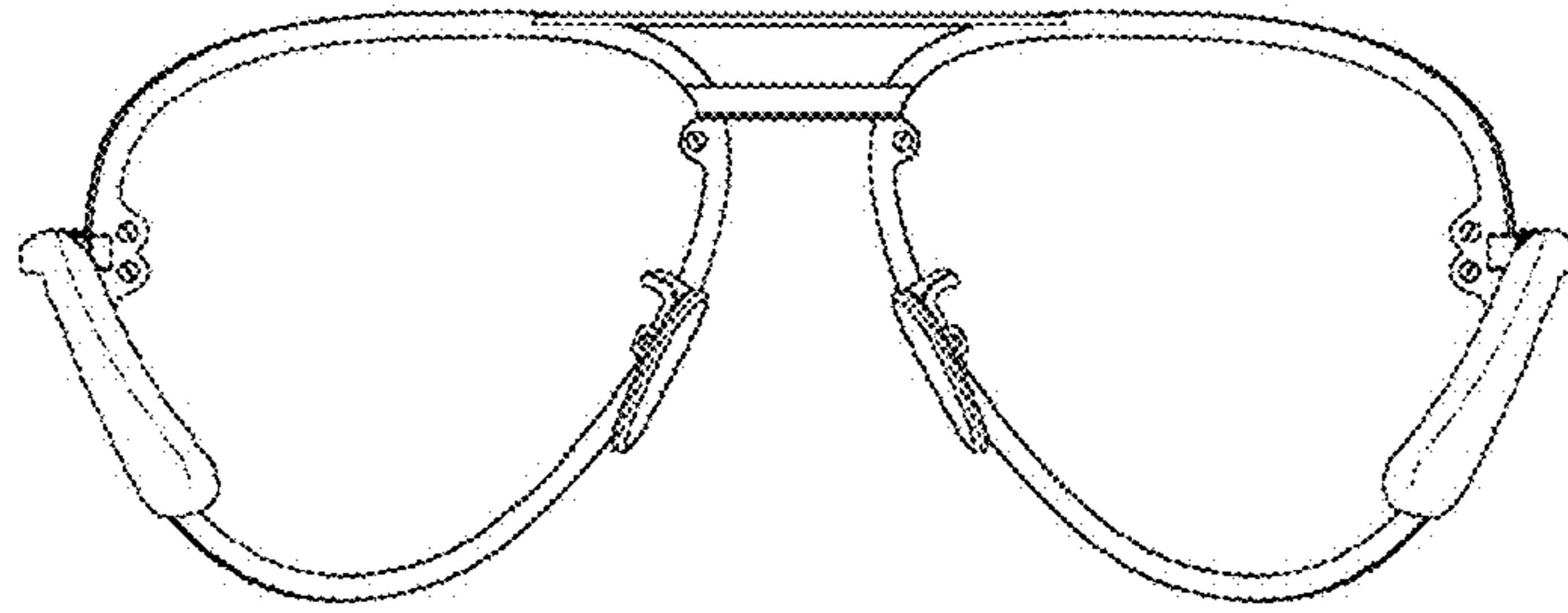




1.5

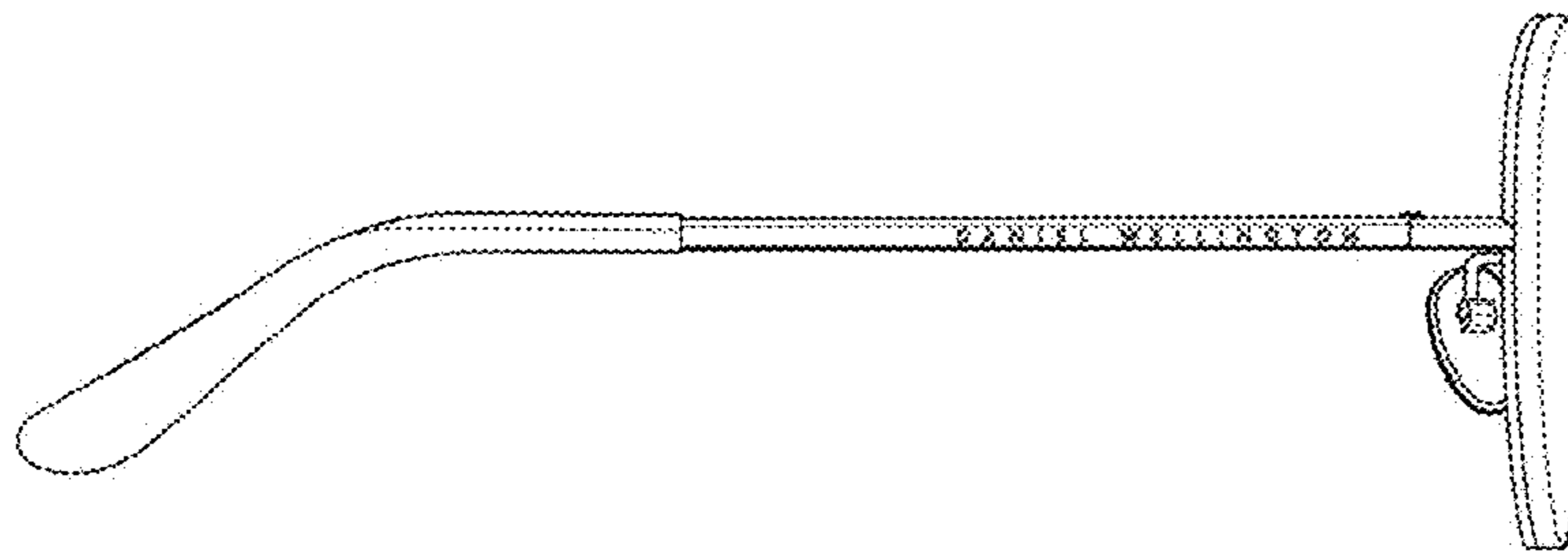


1.6

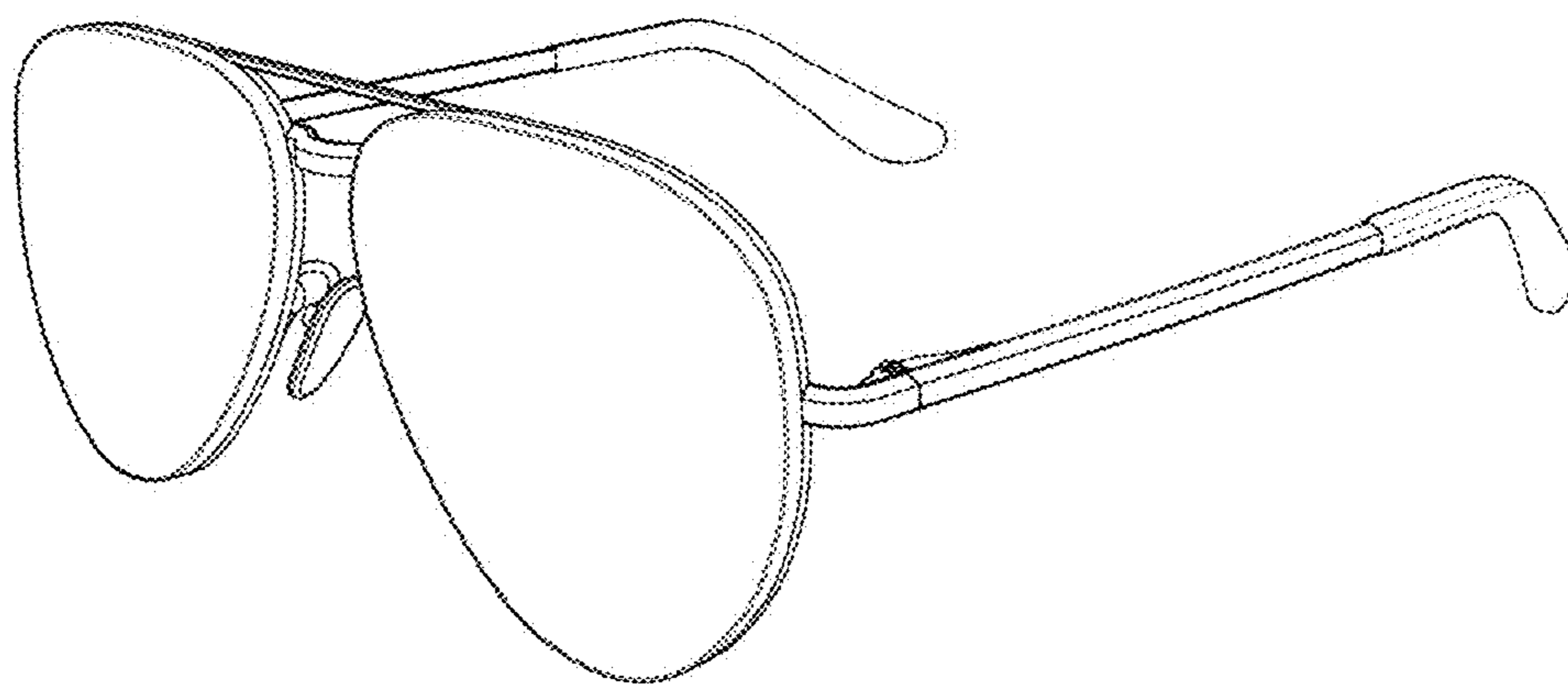




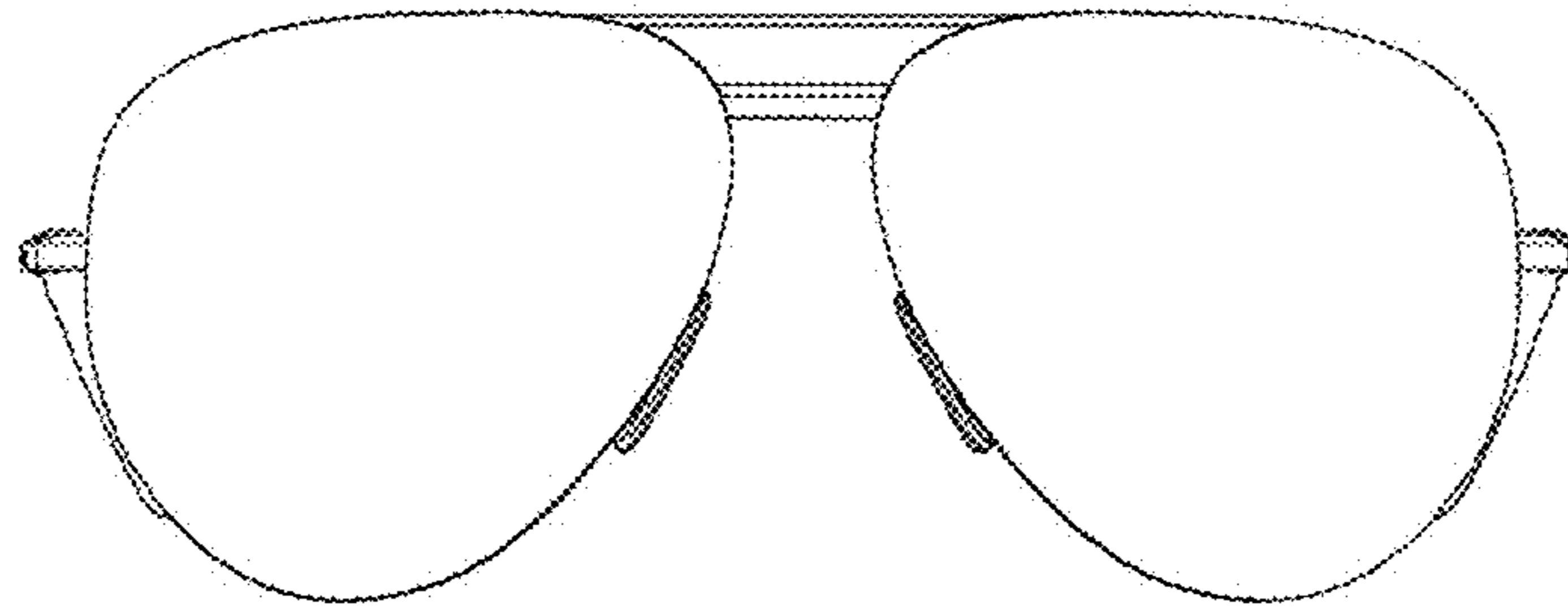
1.7

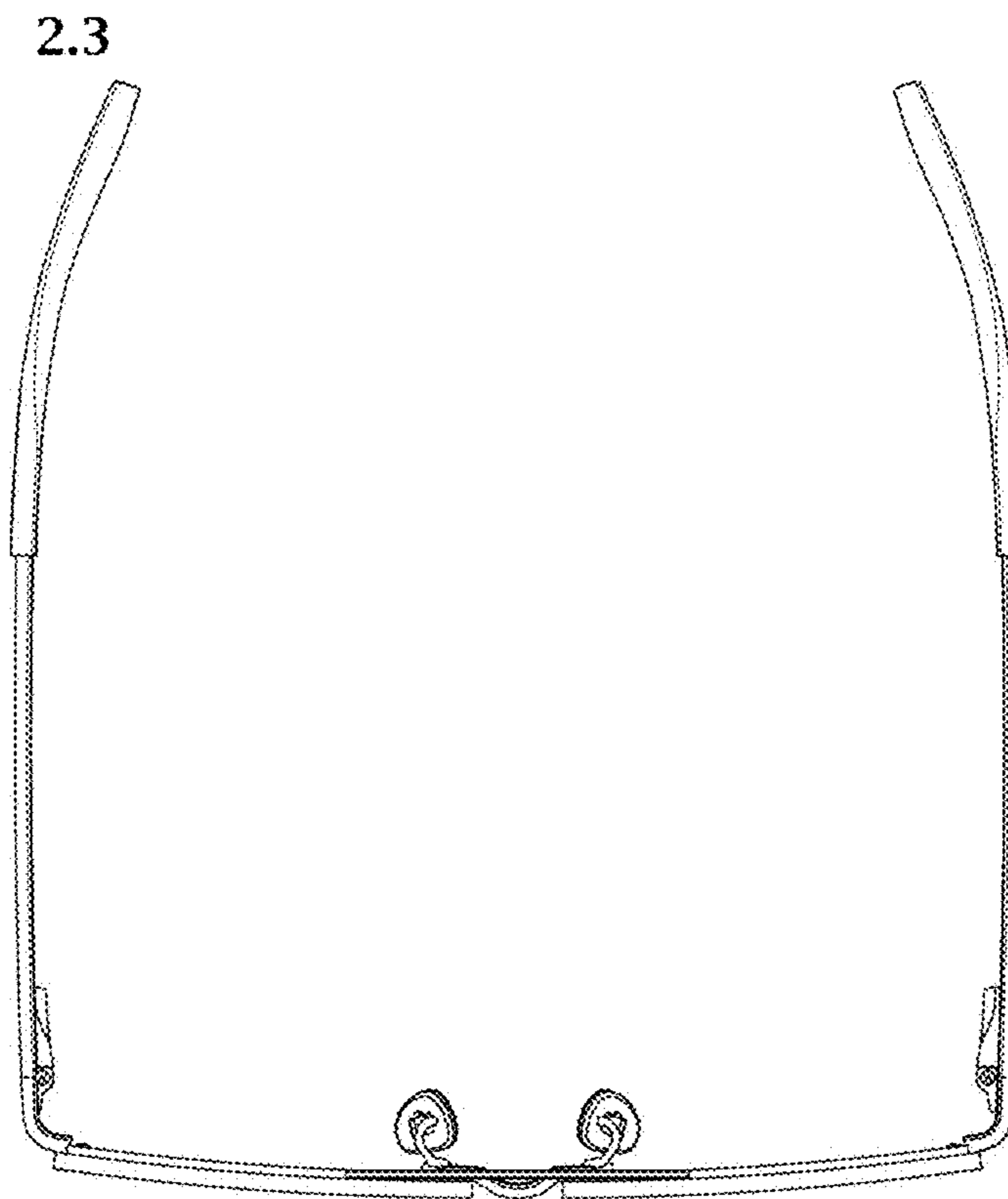


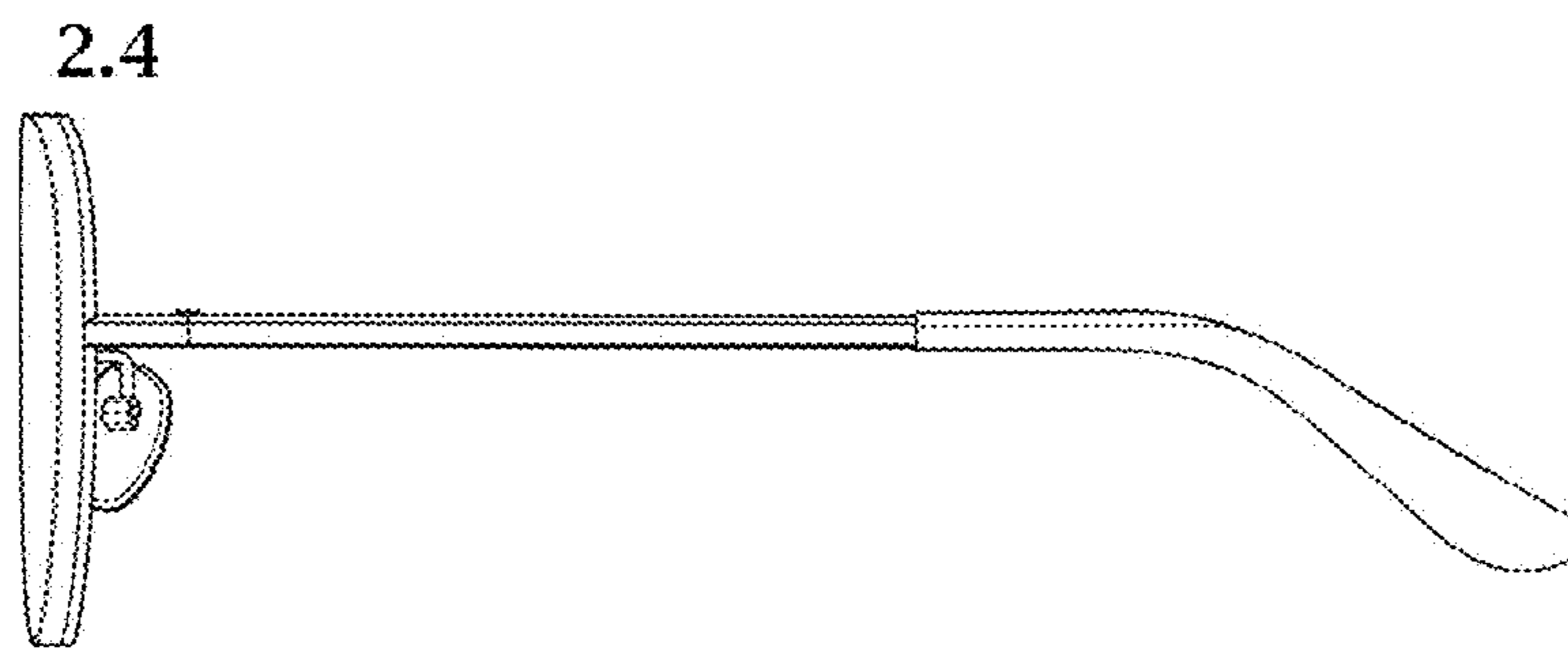
2.1



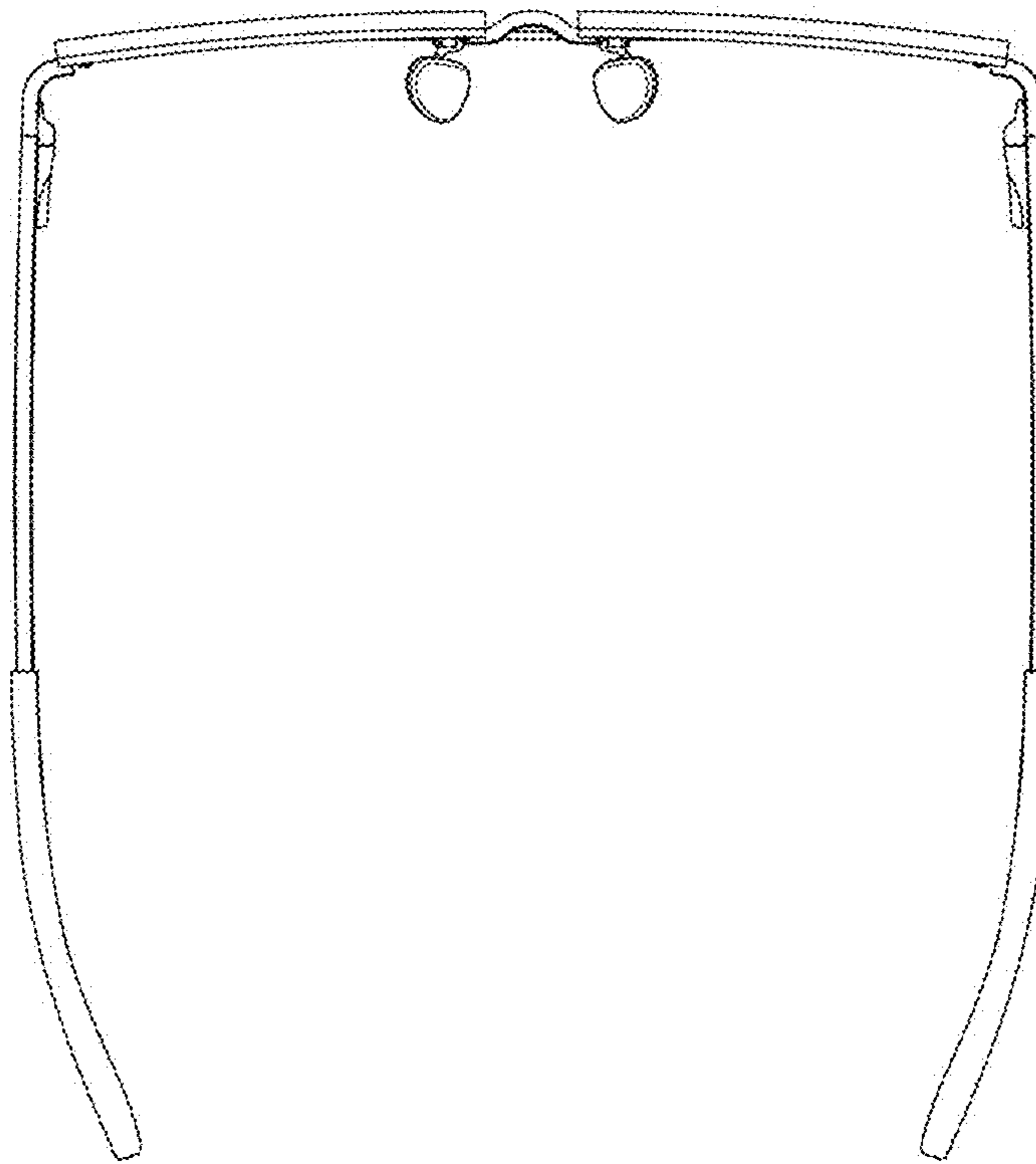
2.2



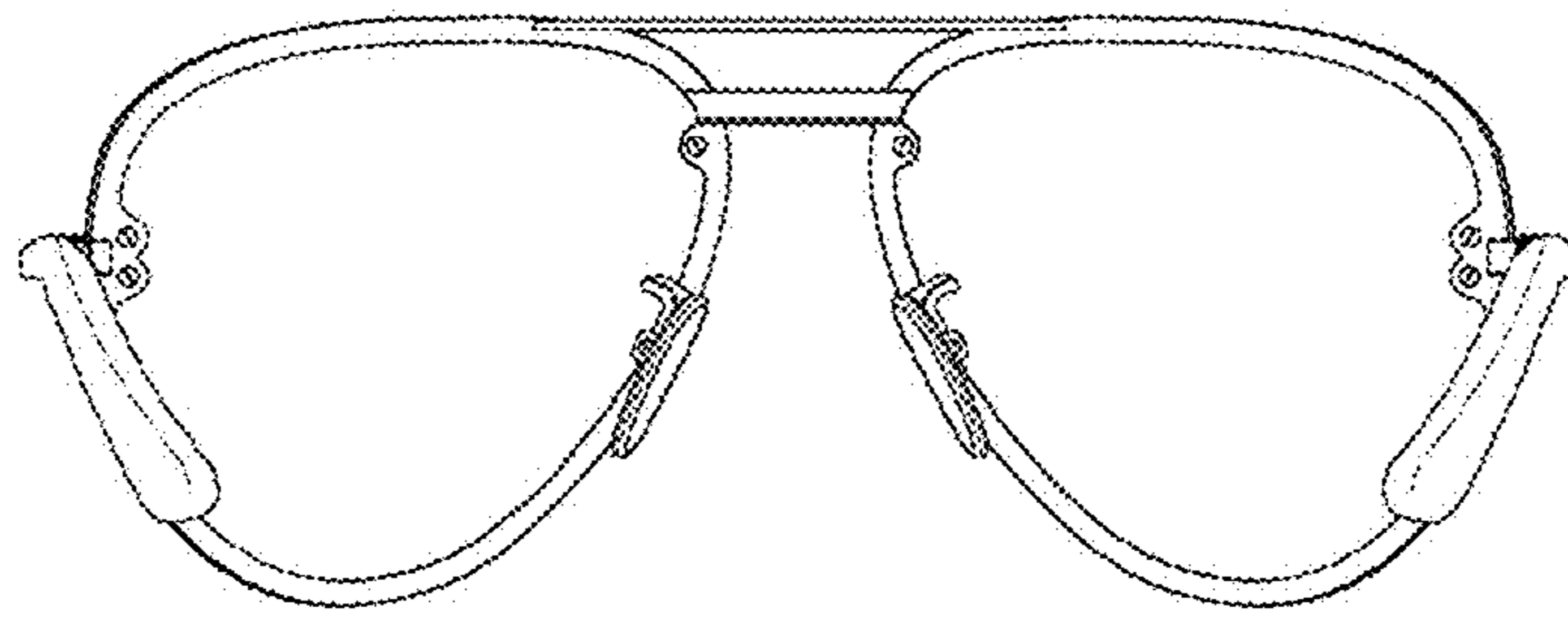




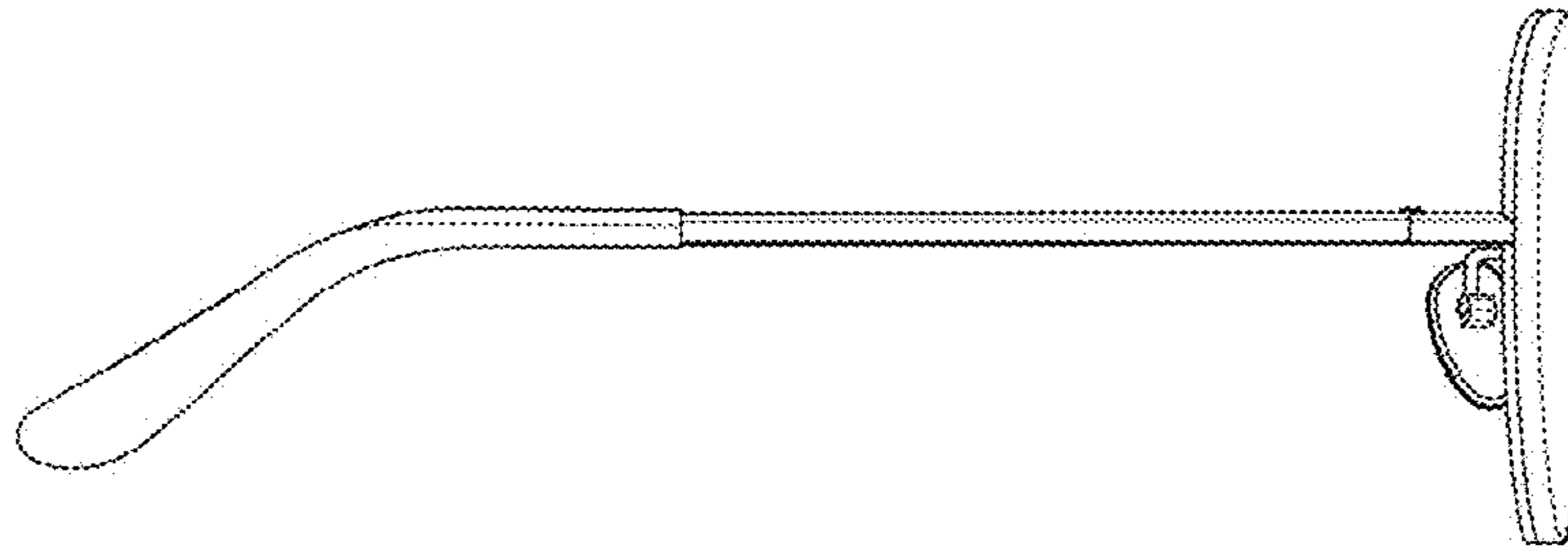
2.5



2.6

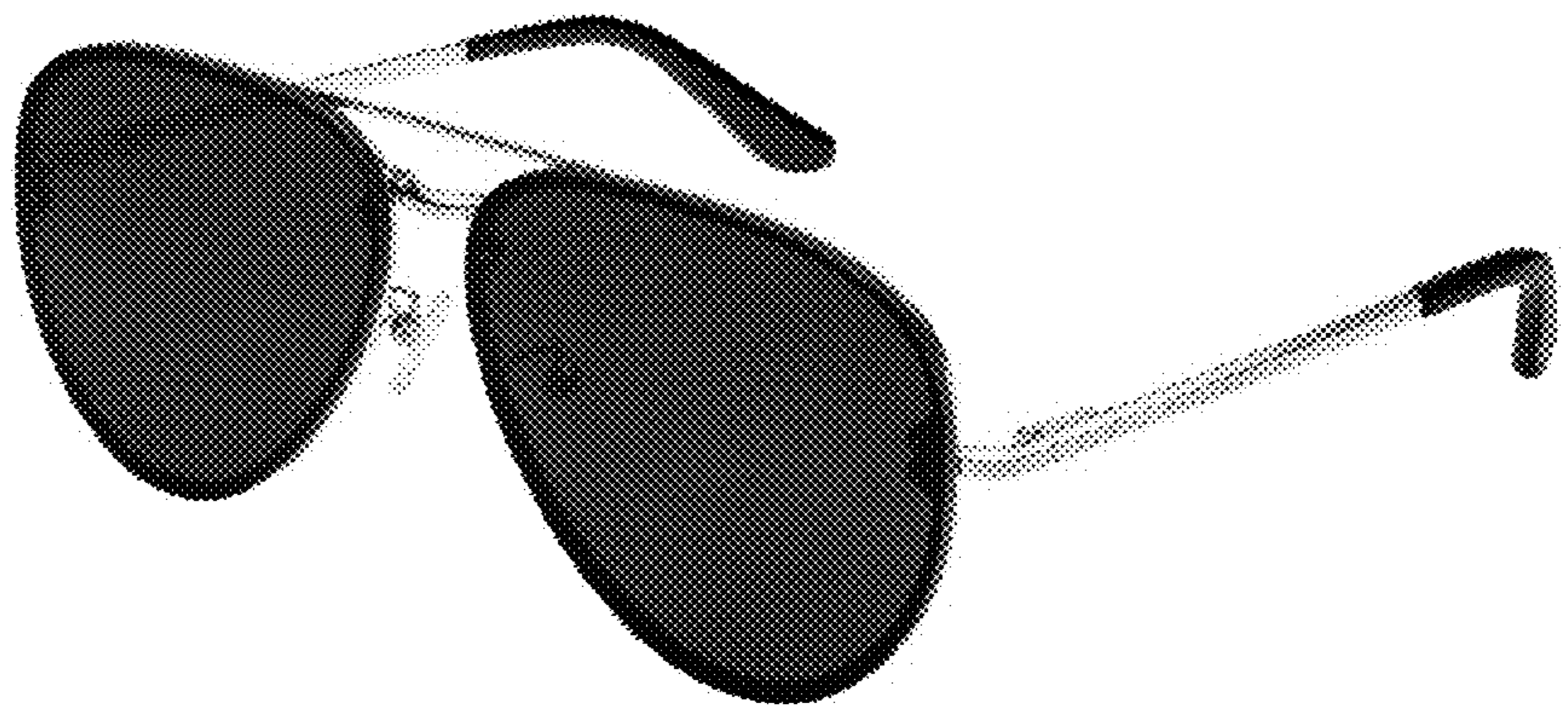


2.7

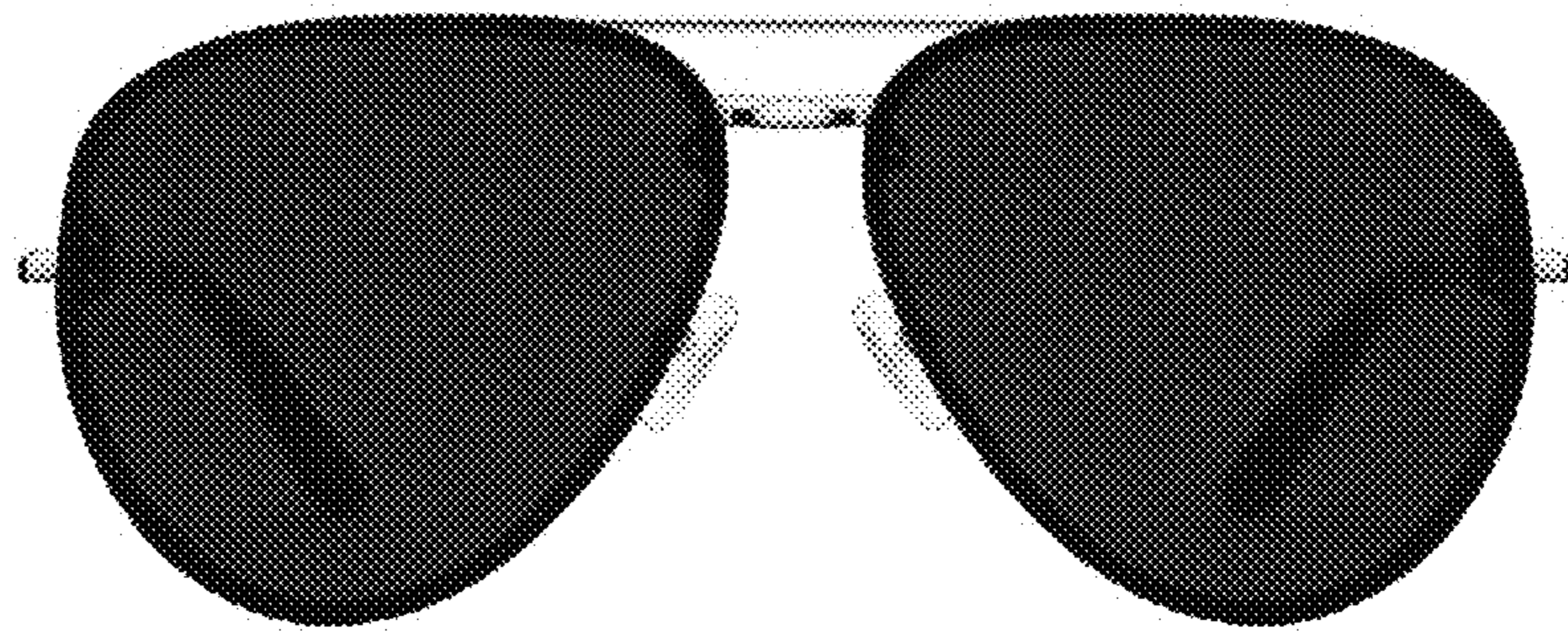




3.1



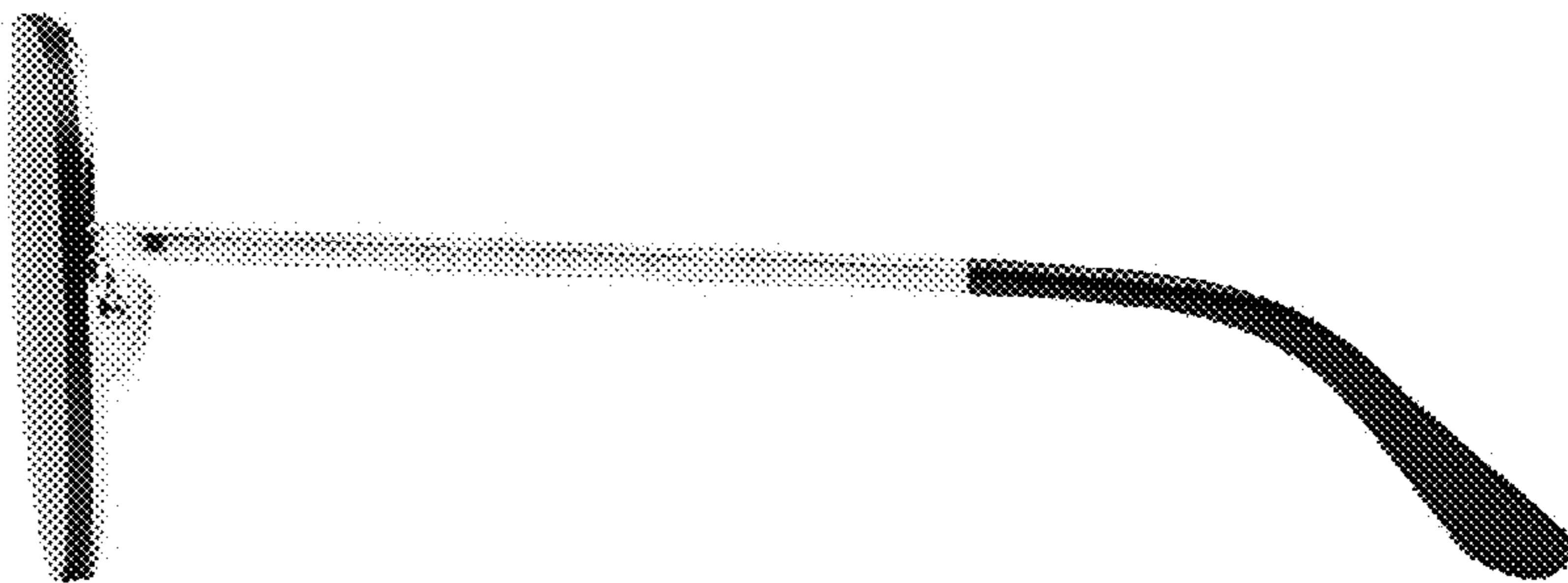
3.2



3.3



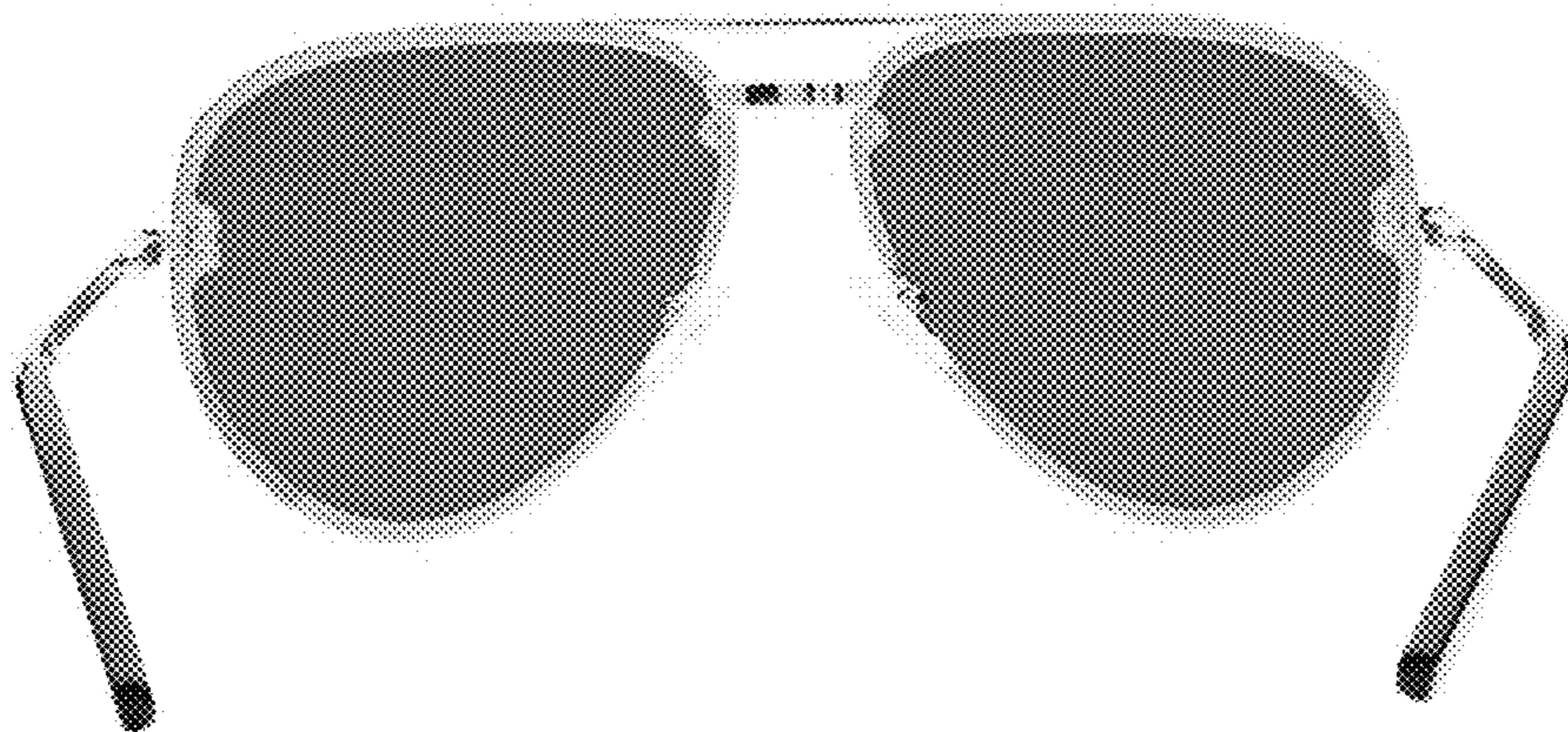
3.4



3.5



3.6



3.7

