

US00D969204S

(12) **United States Design Patent**
Shen

(10) **Patent No.:** **US D969,204 S**

(45) **Date of Patent:** **** Nov. 8, 2022**

(54) **TRIPOD**

(71) Applicant: **Linbin Shen, Li (CN)**

(72) Inventor: **Linbin Shen, Li (CN)**

(**) Term: **15 Years**

(21) Appl. No.: **29/845,225**

(22) Filed: **Jul. 6, 2022**

(51) **LOC (13) Cl.** **16-05**

(52) **U.S. Cl.**
USPC **D16/244**

(58) **Field of Classification Search**
USPC D16/202, 208–209, 219, 237–240
CPC G03B 17/02; G03B 17/56; G03B 17/04;
G03B 17/561–566; G03B 15/03; H04N
5/2251; H04N 5/2252; H04N 5/2253;
H04N 5/2254; G02B 7/02; G02B 7/04;
G02B 7/14

See application file for complete search history.

(56) **References Cited**

U.S. PATENT DOCUMENTS

D895,716 S	*	9/2020	Chen	D16/244
D901,578 S	*	11/2020	Wang	D16/244
D909,456 S	*	2/2021	Xiao	D16/244
D915,495 S	*	4/2021	Zeng	D16/244
D916,172 S	*	4/2021	Zeng	D16/244
D916,173 S		4/2021	Zeng		
D916,174 S		4/2021	Gong		
D917,604 S		4/2021	Zeng		
D942,529 S	*	2/2022	Lin	D16/244
D943,020 S	*	2/2022	Lin	D16/244
D946,076 S	*	3/2022	Zhou	D16/244

D947,930 S	*	4/2022	Chen	D16/244
D956,128 S	*	6/2022	Lin	D16/244
D957,510 S	*	7/2022	Lin	D16/244
D959,539 S	*	8/2022	Lin	D16/244

* cited by examiner

Primary Examiner — Ramzi Almatrahi

(74) *Attorney, Agent, or Firm* — Rumit Ranjit Kanakia

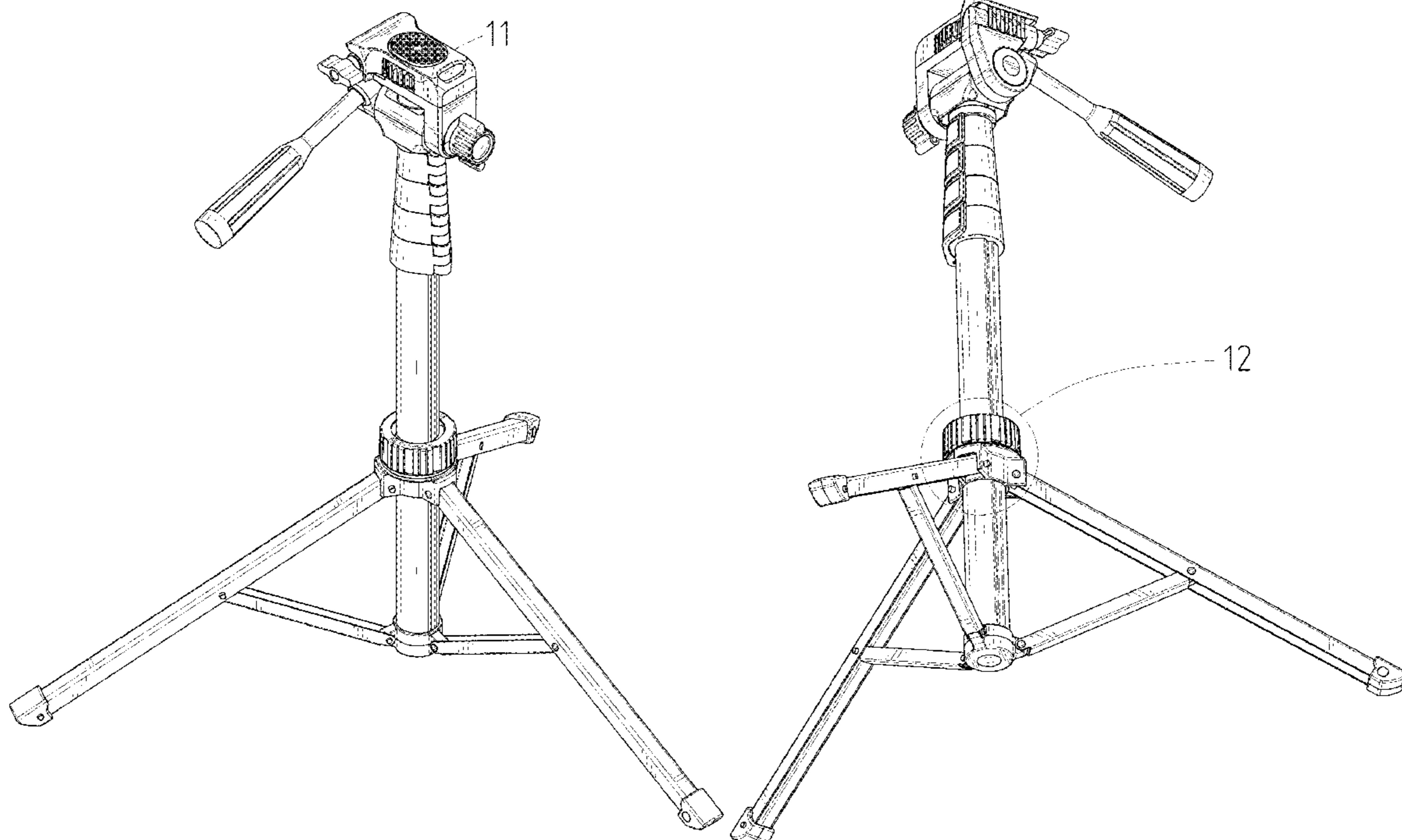
(57) **CLAIM**

The ornamental design for a tripod, as shown and described.

DESCRIPTION

FIG. 1 is a top, front and left side perspective view of a tripod showing my new design;
 FIG. 2 is a bottom, back and right side perspective view thereof;
 FIG. 3 is a front view thereof;
 FIG. 4 is a back view thereof;
 FIG. 5 is a left side view thereof;
 FIG. 6 is a right side view thereof;
 FIG. 7 is a top view thereof;
 FIG. 8 is a bottom view thereof;
 FIG. 9 is a top, front and left side perspective view thereof, shown with the tripod in an extended configuration;
 FIG. 10 is a top, front and left side perspective view thereof, shown with the tripod in a collapsed configuration;
 FIG. 11 is an enlarged view of portion 11 shown in FIG. 1; and,
 FIG. 12 is an enlarged view of portion 12 shown in FIG. 2. The broken lines depict portions of the tripod that form no part of the claimed design. The dot-dash broken lines encircling an enlargement portion of the design forms no part of the claimed design.

1 Claim, 12 Drawing Sheets



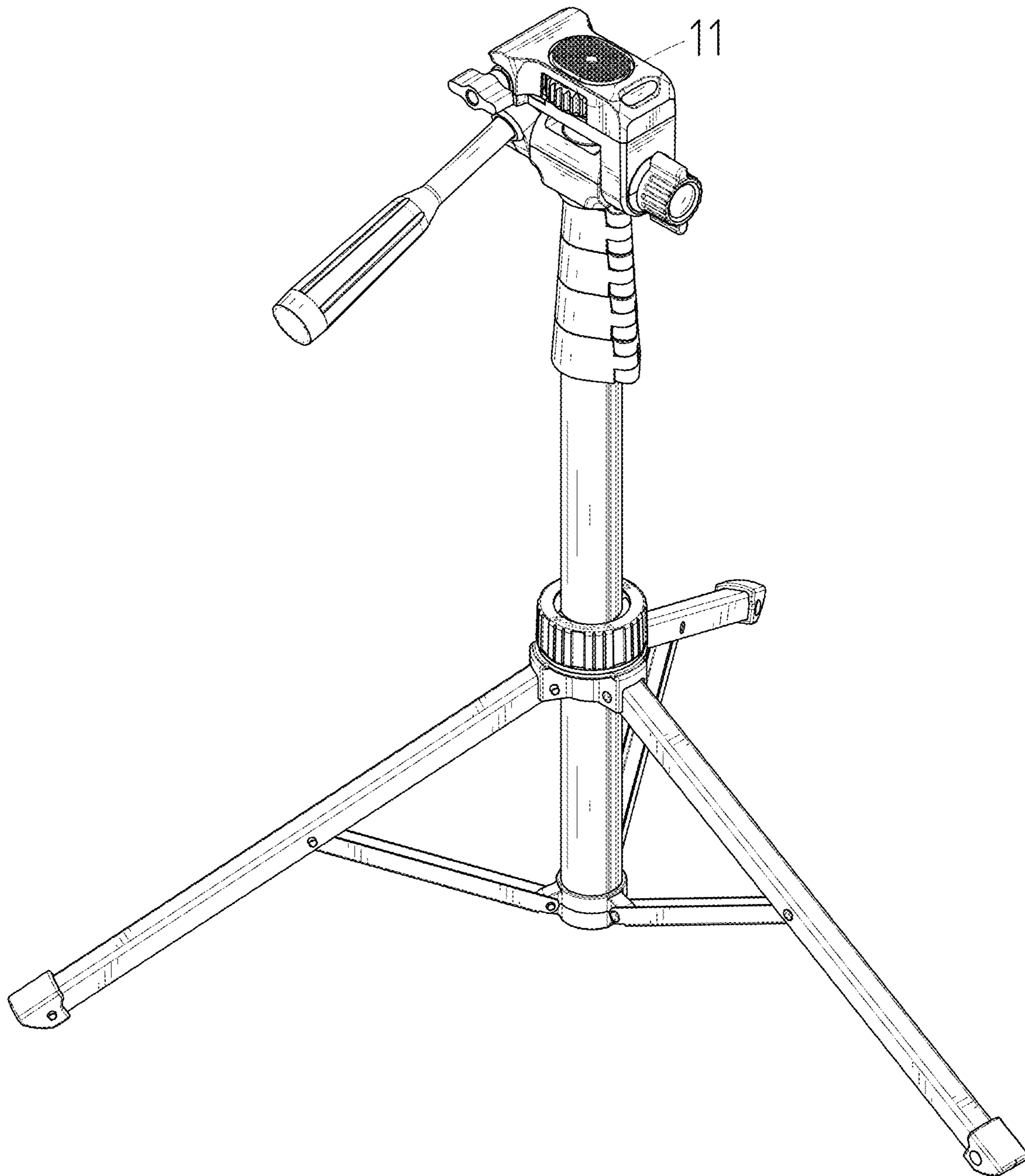


FIG. 1

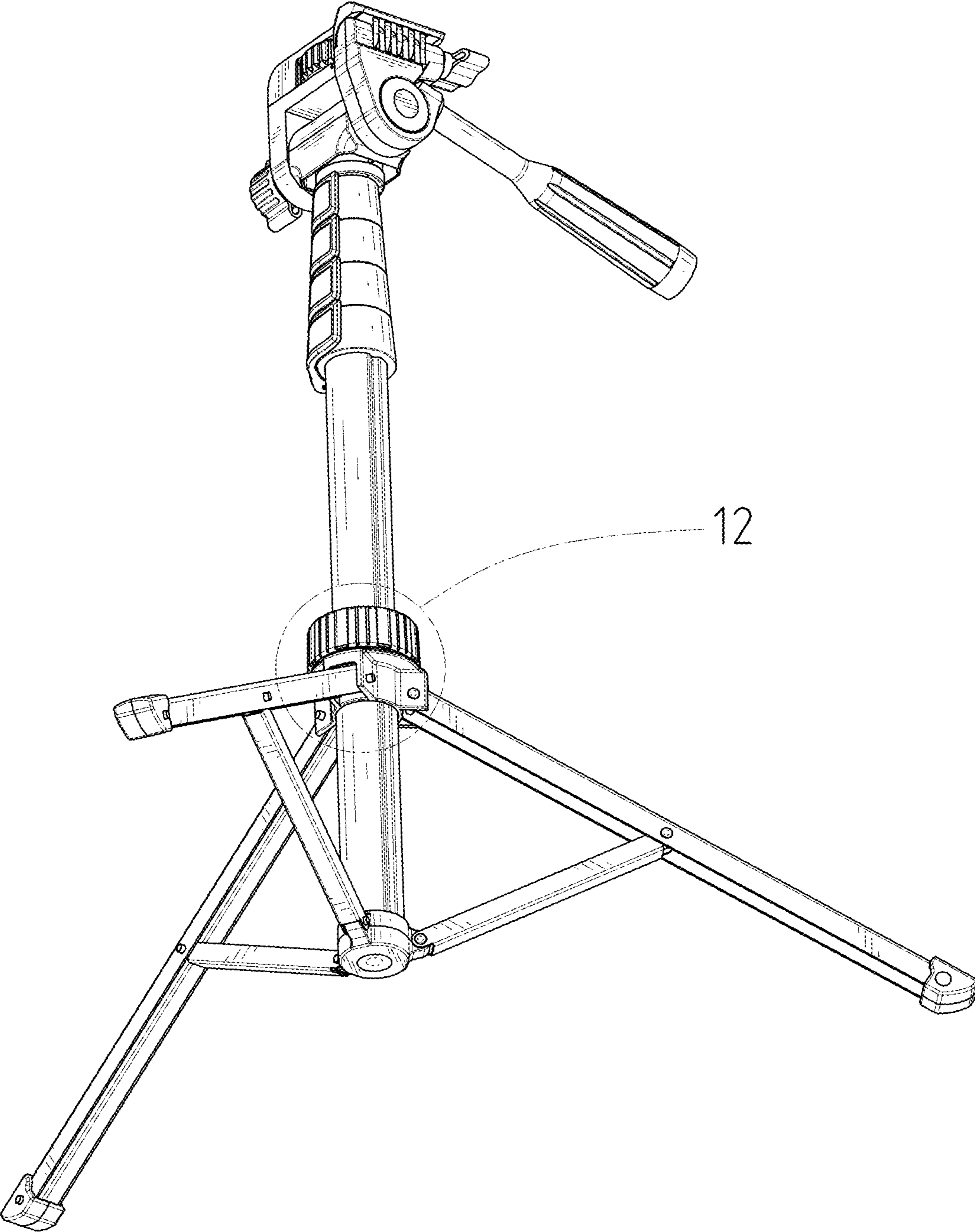


FIG. 2

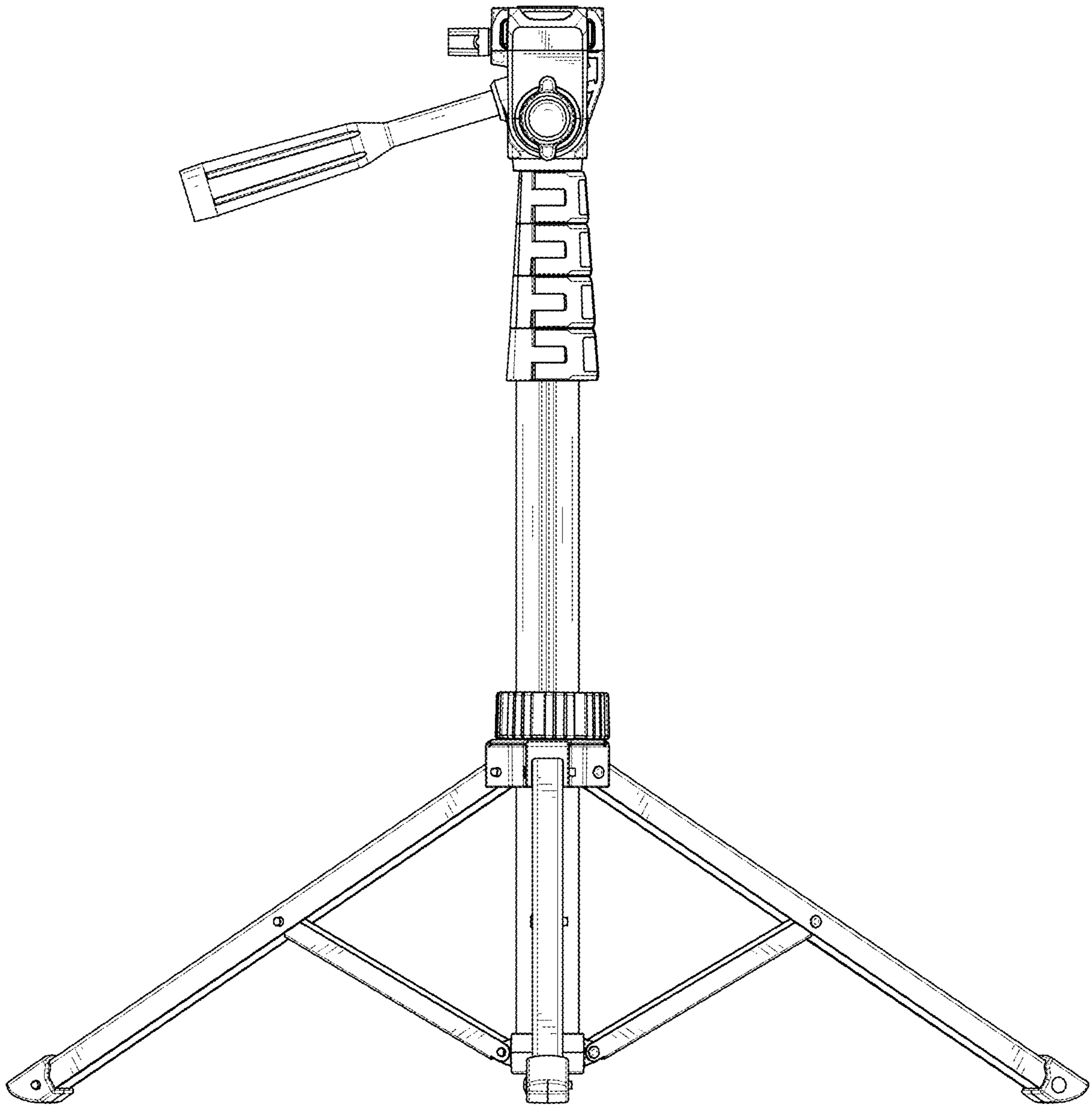


FIG. 3

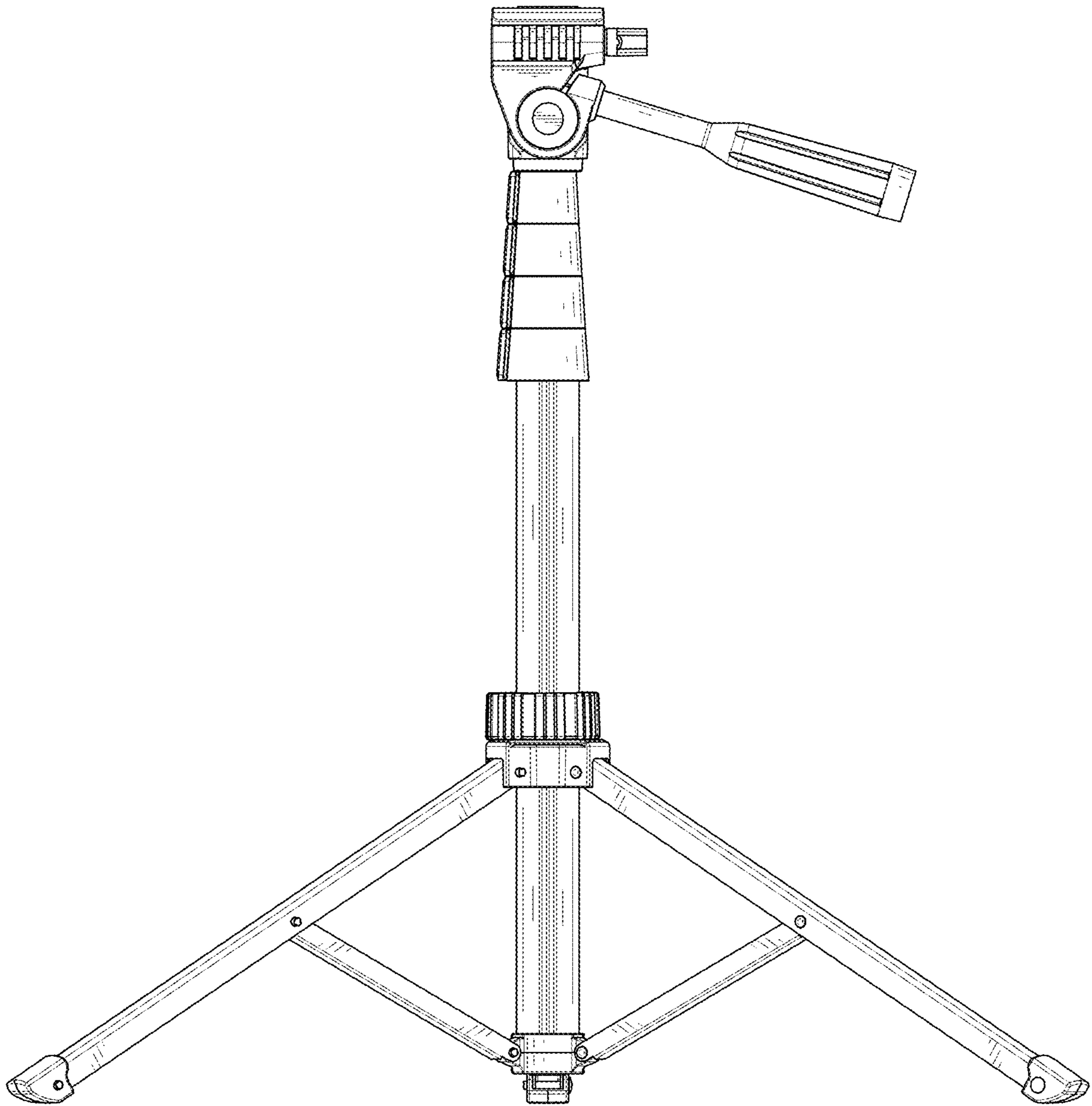


FIG. 4

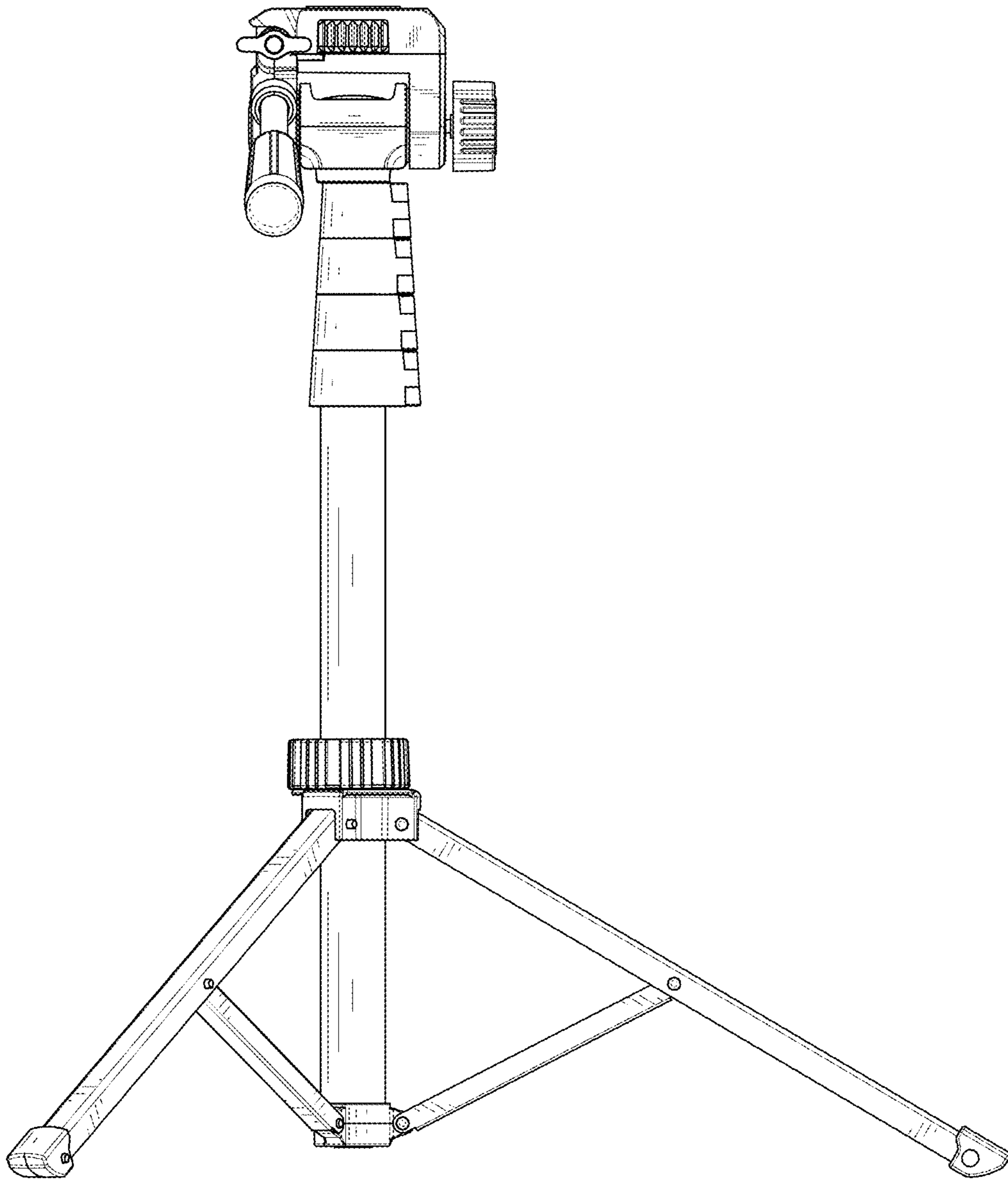


FIG. 5

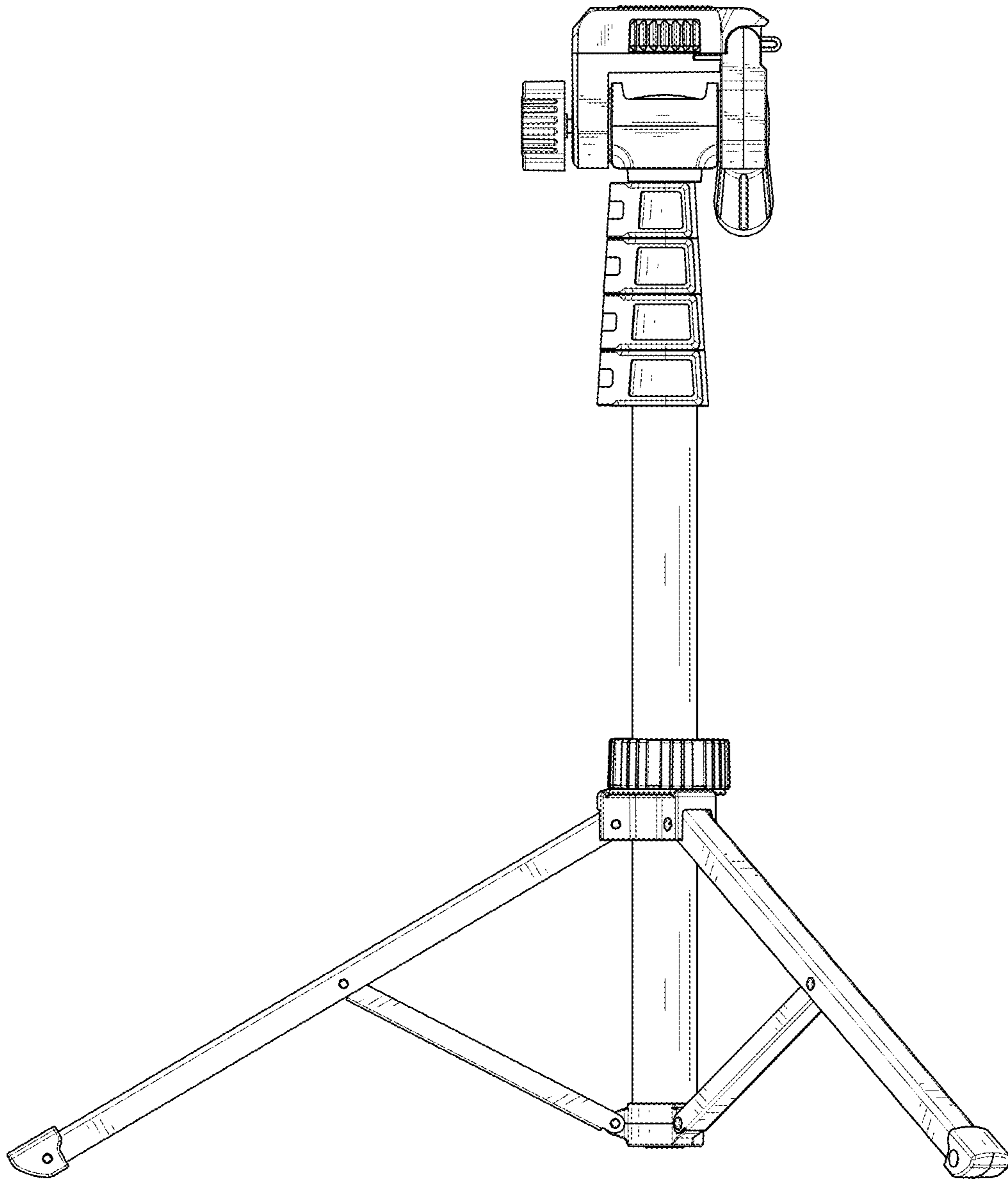


FIG. 6

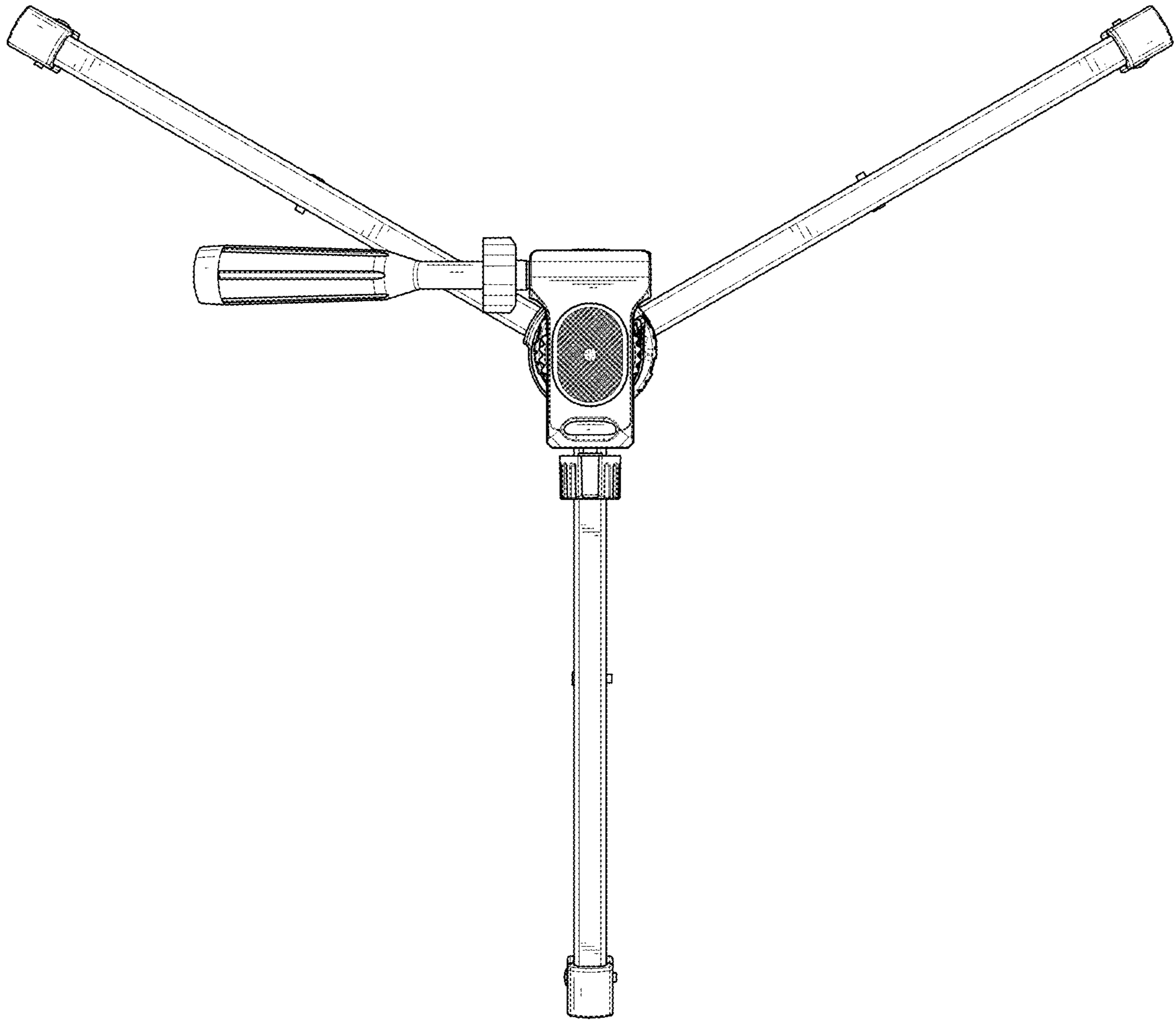


FIG. 7

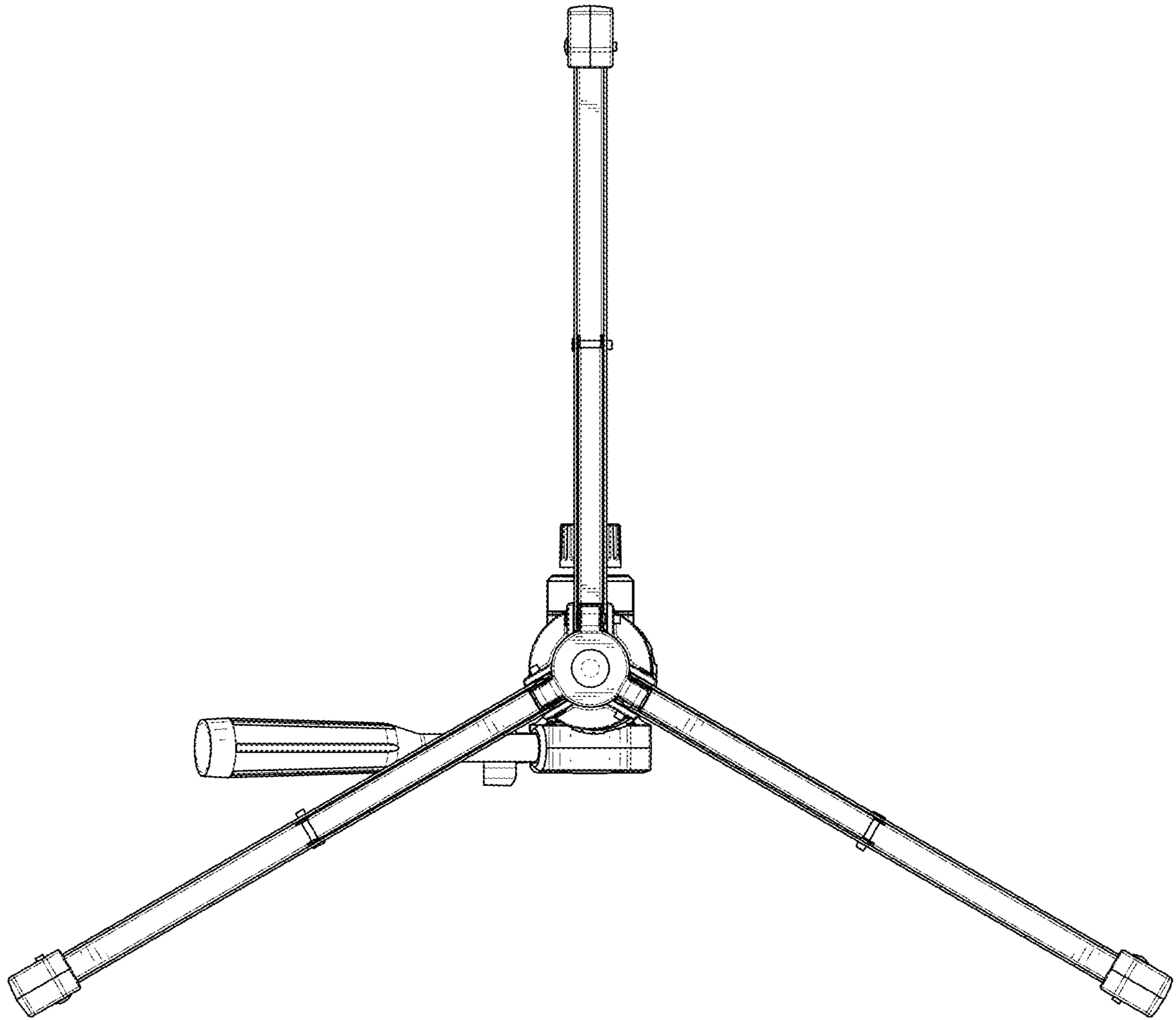


FIG. 8

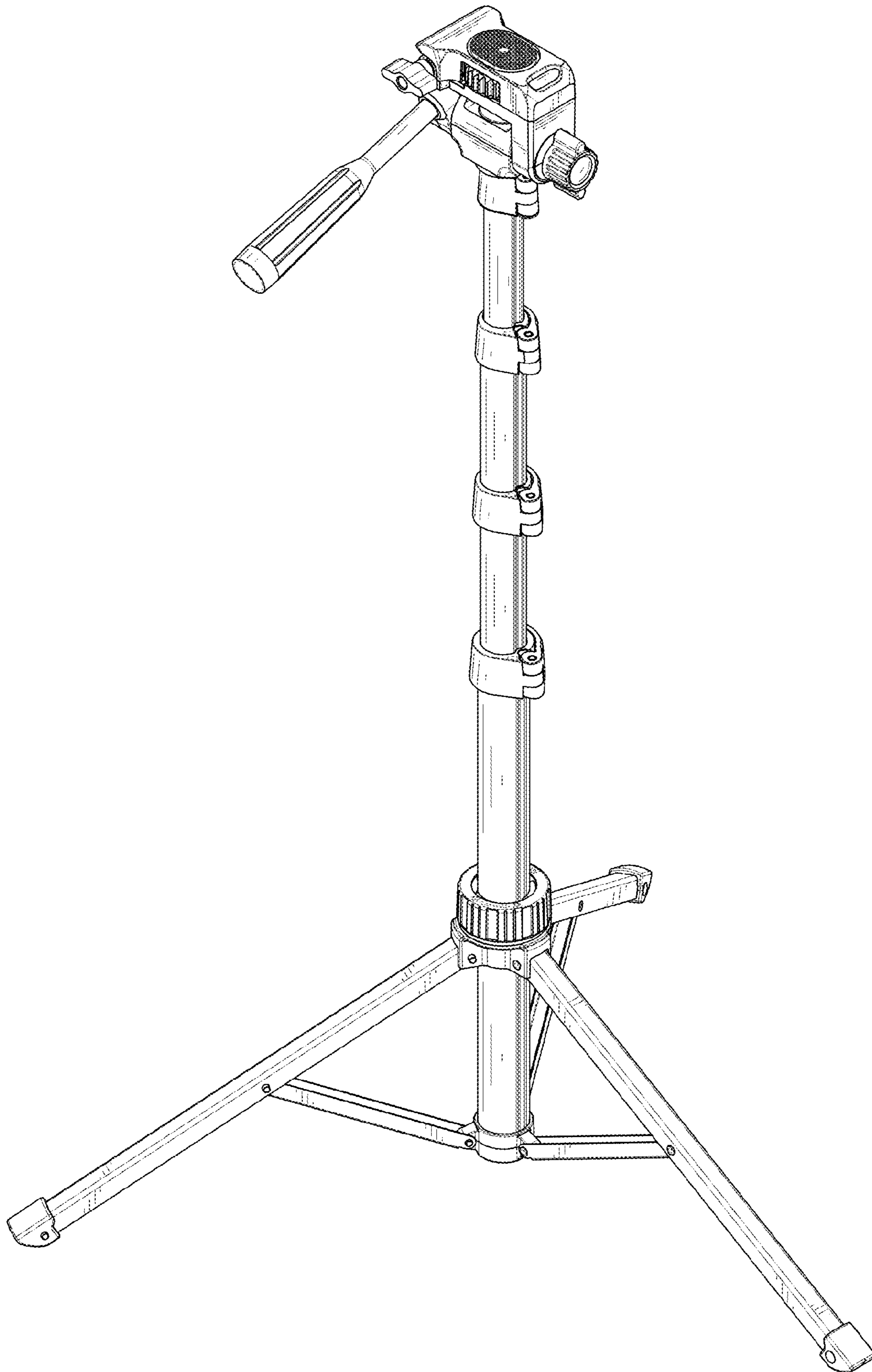


FIG. 9

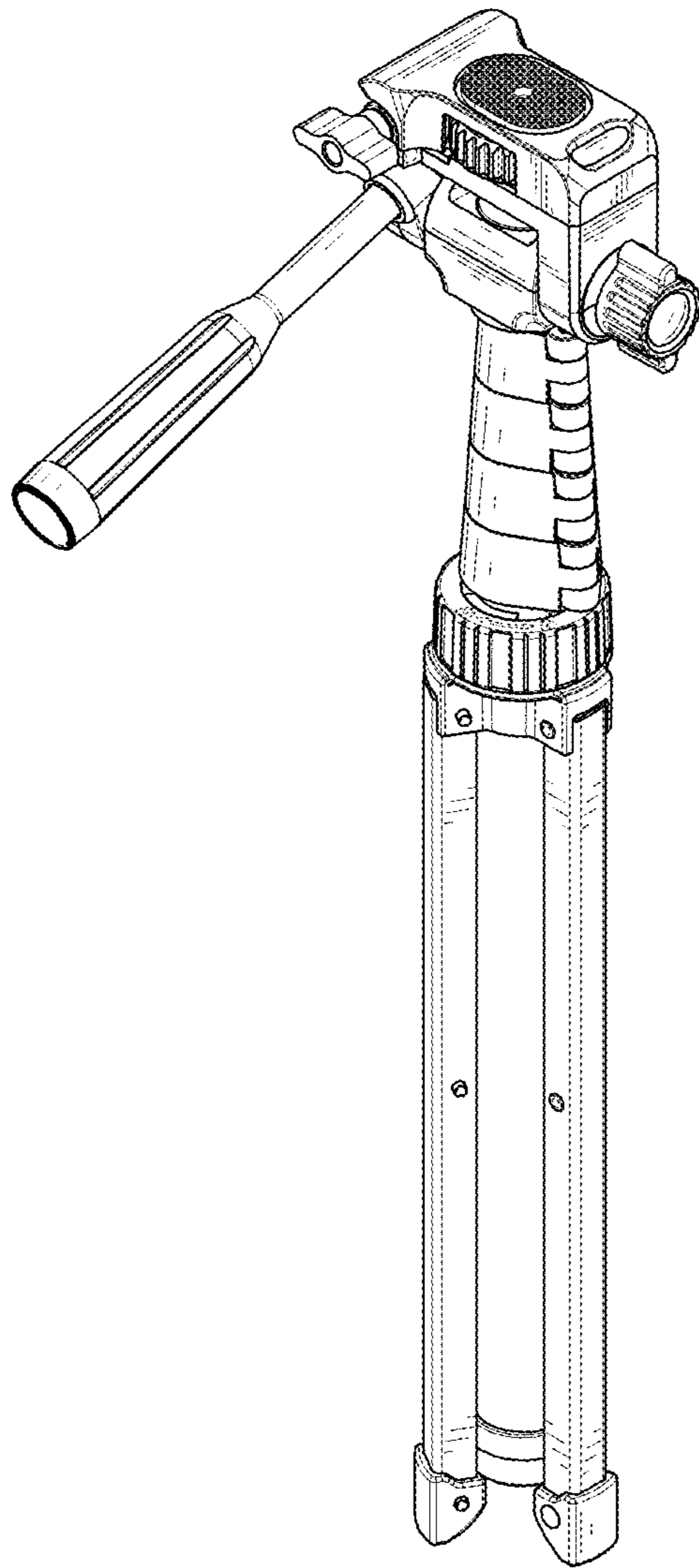


FIG. 10

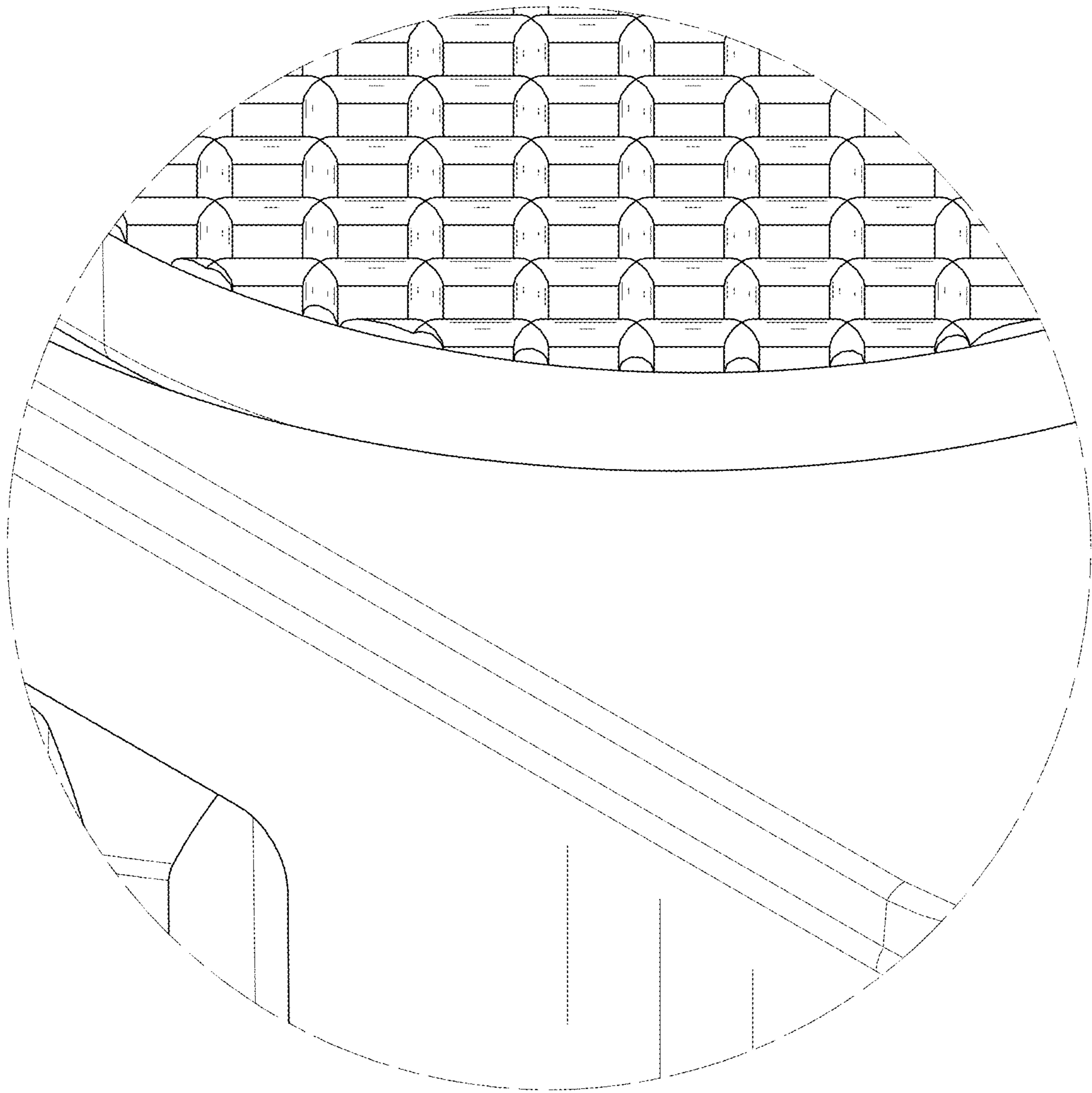


FIG. 11

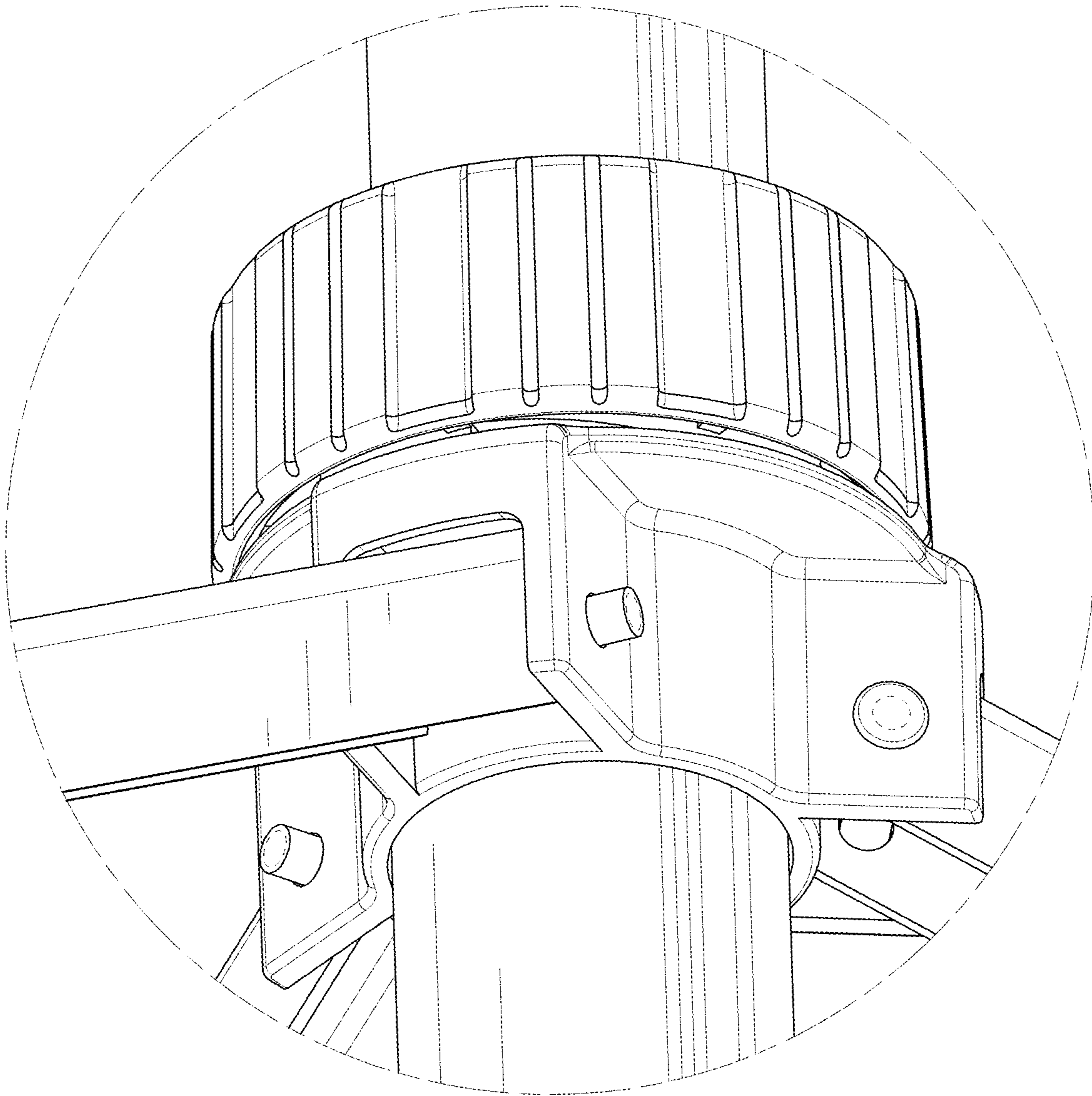


FIG. 12