



US00D969203S

(12) **United States Design Patent** (10) **Patent No.:** **US D969,203 S**  
**Shen** (45) **Date of Patent:** **\*\* Nov. 8, 2022**

(54) **TRIPOD**

(71) Applicant: **Shenzhen Youbaise Technology Co., Ltd.**, Shenzhen (CN)

(72) Inventor: **Linbin Shen**, Li (CN)

(\*\*) Term: **15 Years**

(21) Appl. No.: **29/843,669**

(22) Filed: **Jun. 23, 2022**

(51) **LOC (13) Cl.** ..... **16-05**

(52) **U.S. Cl.**  
USPC ..... **D16/244**

(58) **Field of Classification Search**  
USPC ..... D16/218, 219, 237, 242–250  
CPC ..... G03B 17/02; G03B 17/56; G03B 17/04;  
G03B 17/561–566; G03B 15/03; H04N  
5/2251; H04N 5/2252; H04N 5/2253;  
H04N 5/2254; G02B 7/02; G02B 7/04;  
G02B 7/14

See application file for complete search history.

(56) **References Cited**

**U.S. PATENT DOCUMENTS**

D852,872 S *	7/2019	Fang	.....	D16/244
D852,873 S *	7/2019	Fang	.....	D16/244
D865,039 S *	10/2019	Chen	.....	D16/242
D882,672 S *	4/2020	Xia	.....	D16/243
D888,814 S *	6/2020	Chen	.....	D16/244
D901,578 S *	11/2020	Wang	.....	D16/244
D911,425 S *	2/2021	Shan	.....	D16/237
D911,428 S	2/2021	Xiao	.....	
D915,495 S *	4/2021	Zeng	.....	D16/244
D916,173 S	4/2021	Zeng	.....	
D917,604 S	4/2021	Zeng	.....	
D942,529 S *	2/2022	Lin	.....	D16/244

D946,563 S *	3/2022	Law	.....	D16/244
D957,510 S *	7/2022	Lin	.....	D16/244
D958,232 S *	7/2022	Wang	.....	D16/244

\* cited by examiner

*Primary Examiner* — Ramzi Almatrahi

(74) *Attorney, Agent, or Firm* — Rumit Ranjit Kanakia

(57) **CLAIM**

The ornamental design for a tripod, as shown and described.

**DESCRIPTION**

FIG. 1 is a top, front and left side perspective view of a tripod showing my new design;

FIG. 2 is a bottom, back and right side perspective view thereof;

FIG. 3 is a front view thereof;

FIG. 4 is a back view thereof;

FIG. 5 is a left side view thereof;

FIG. 6 is a right side view thereof;

FIG. 7 is a top view thereof;

FIG. 8 is a bottom view thereof;

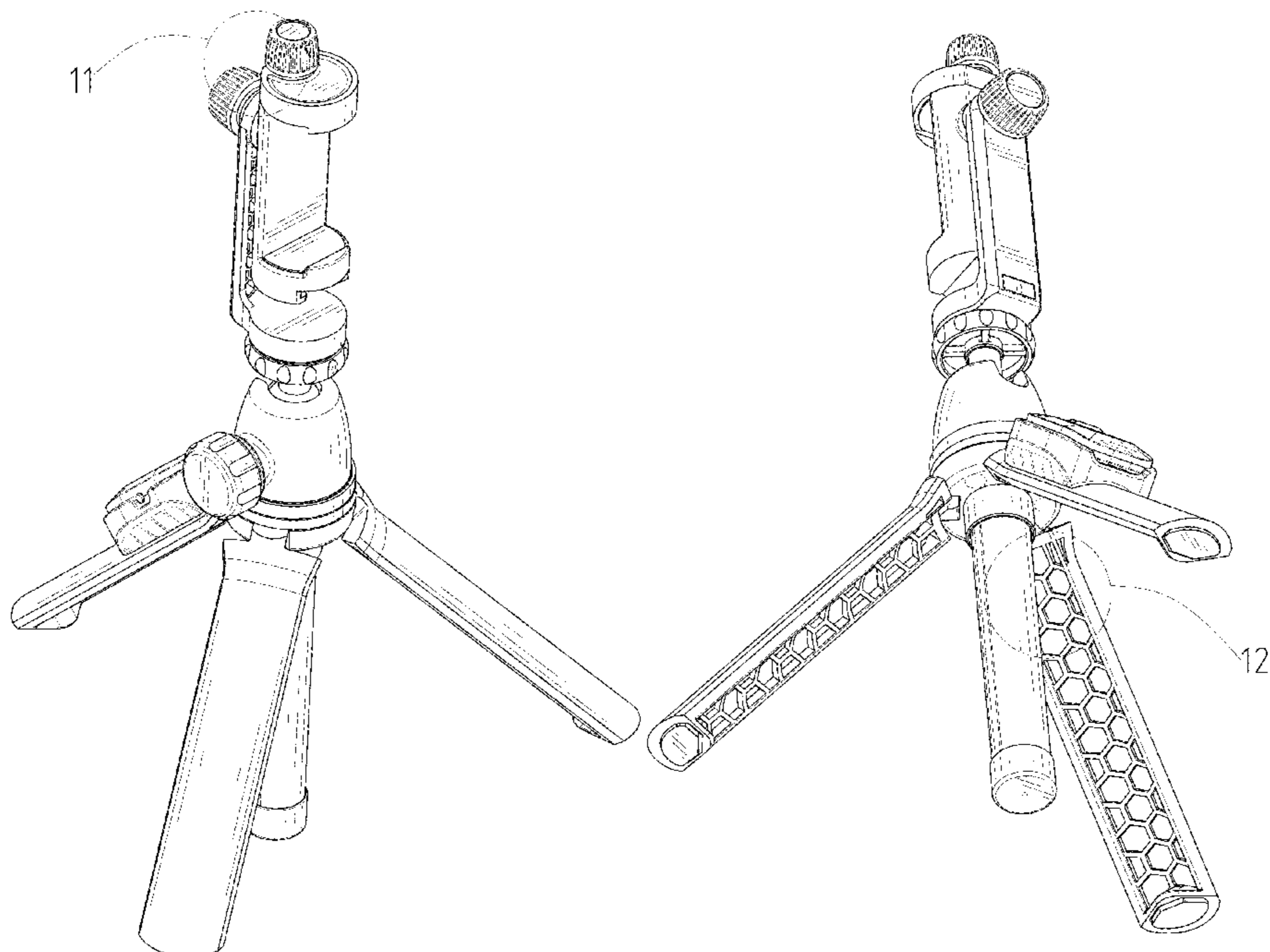
FIG. 9 is a top, front and left side perspective view thereof, shown with the tripod in a collapsed configuration;

FIG. 10 is a top, front and left side perspective view thereof, shown with the tripod in a condition of use and an extended configuration;

FIG. 11 is an enlarged view of portion 11 shown in FIG. 1; and,

FIG. 12 is an enlarged view of portion 12 shown in FIG. 2. The broken lines depict portions of the tripod that form no part of the claimed design. The dot-dash broken lines encircling an enlargement portion of the design forms no part of the claimed design.

**1 Claim, 12 Drawing Sheets**



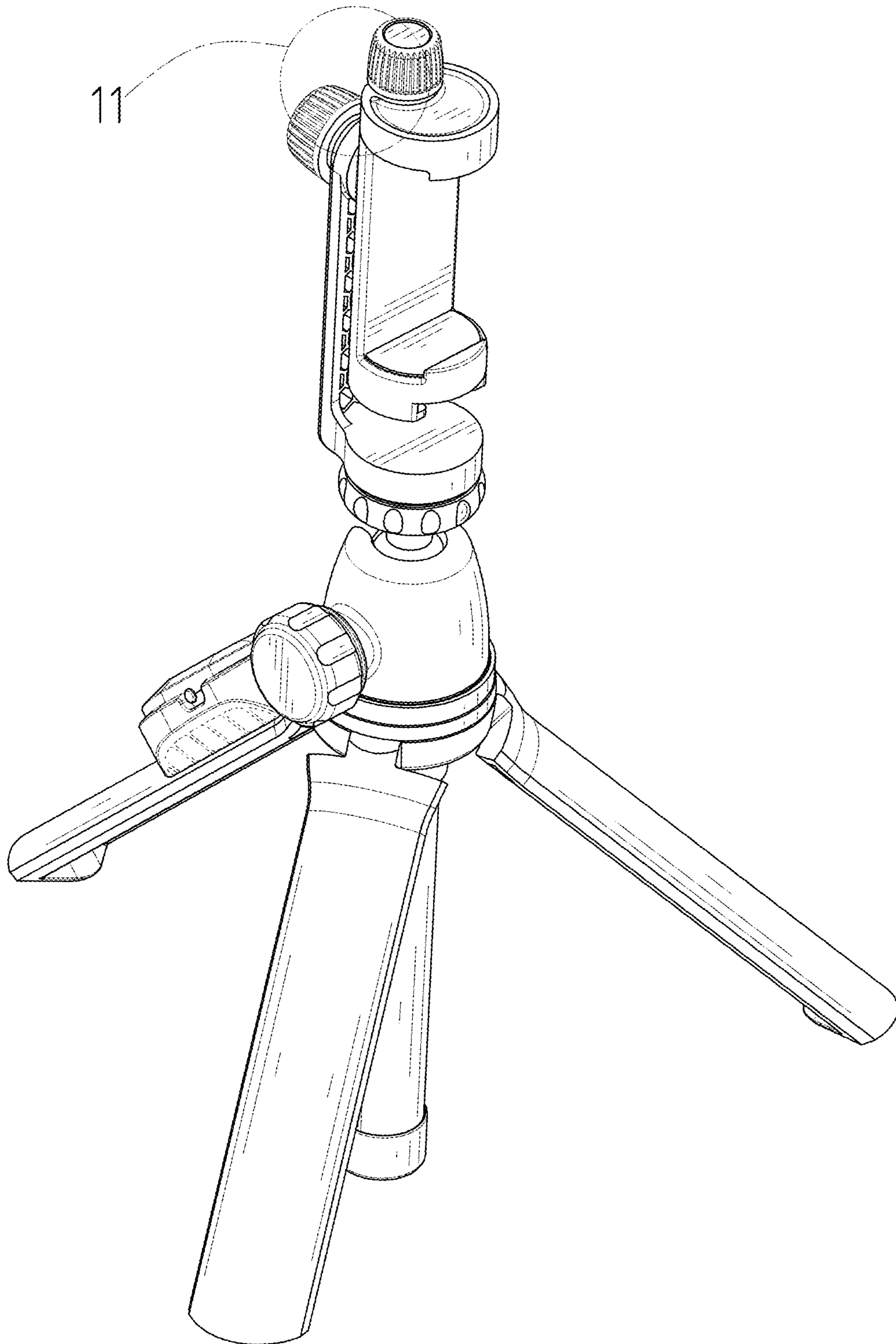


FIG. 1

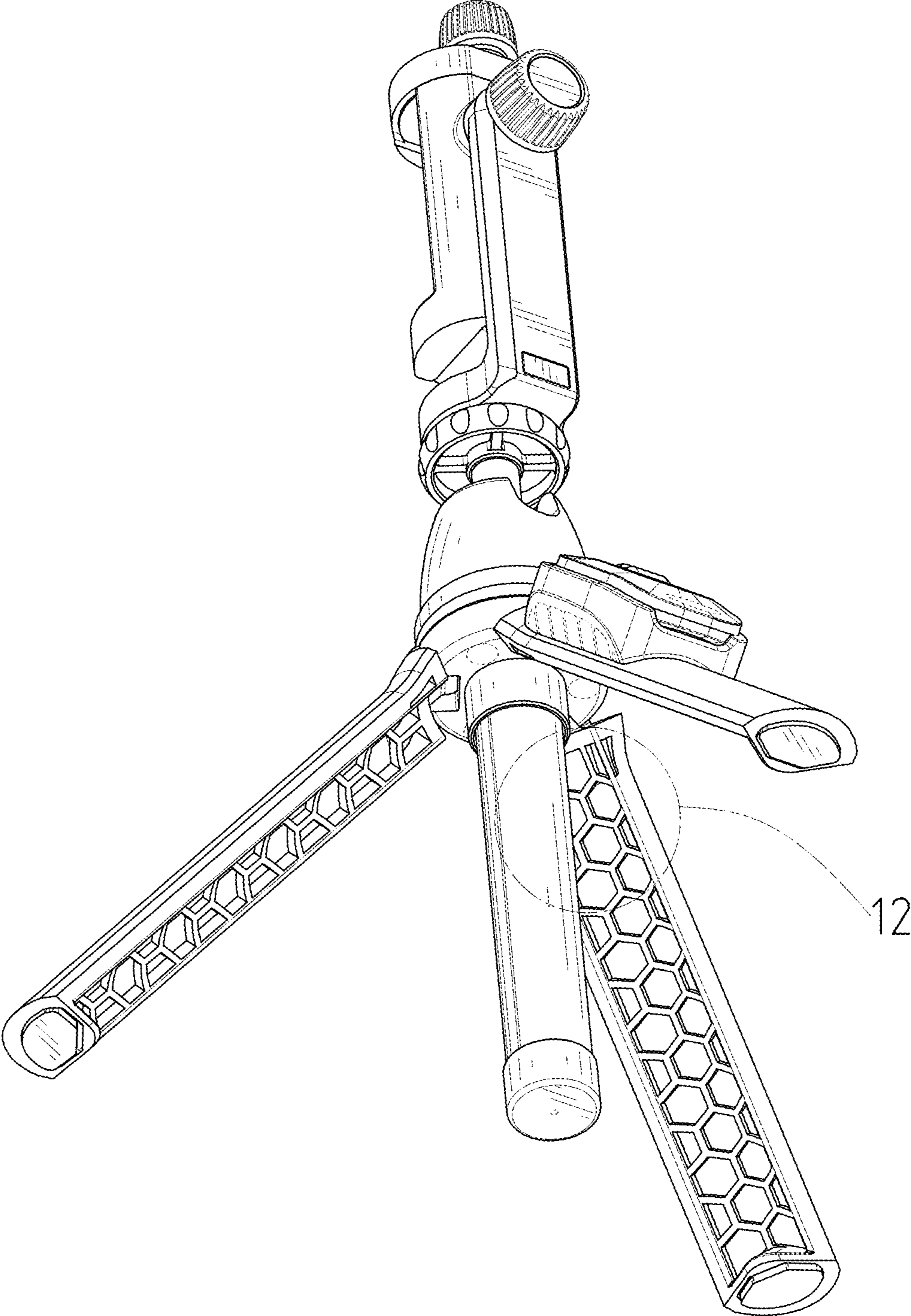


FIG. 2

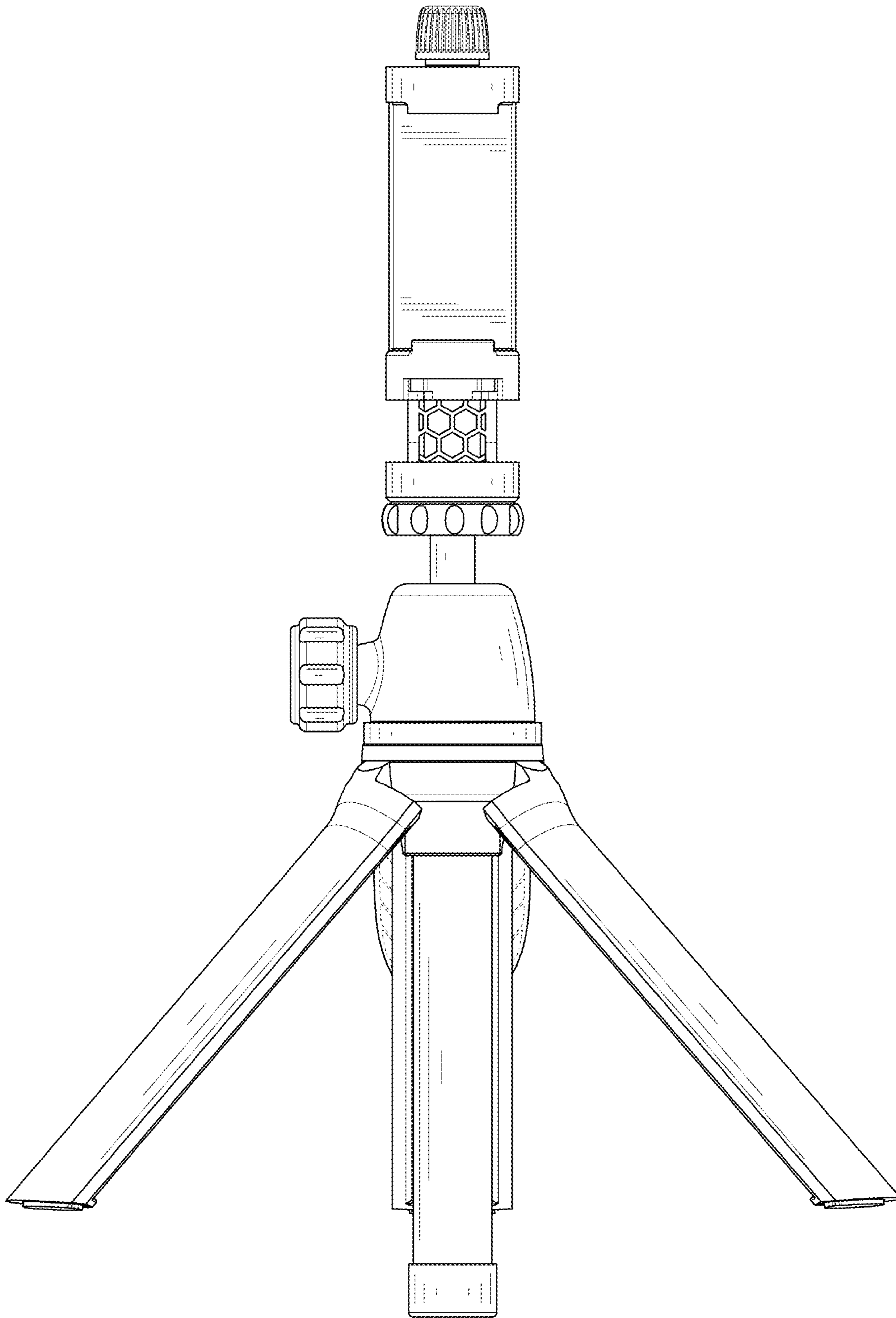


FIG. 3

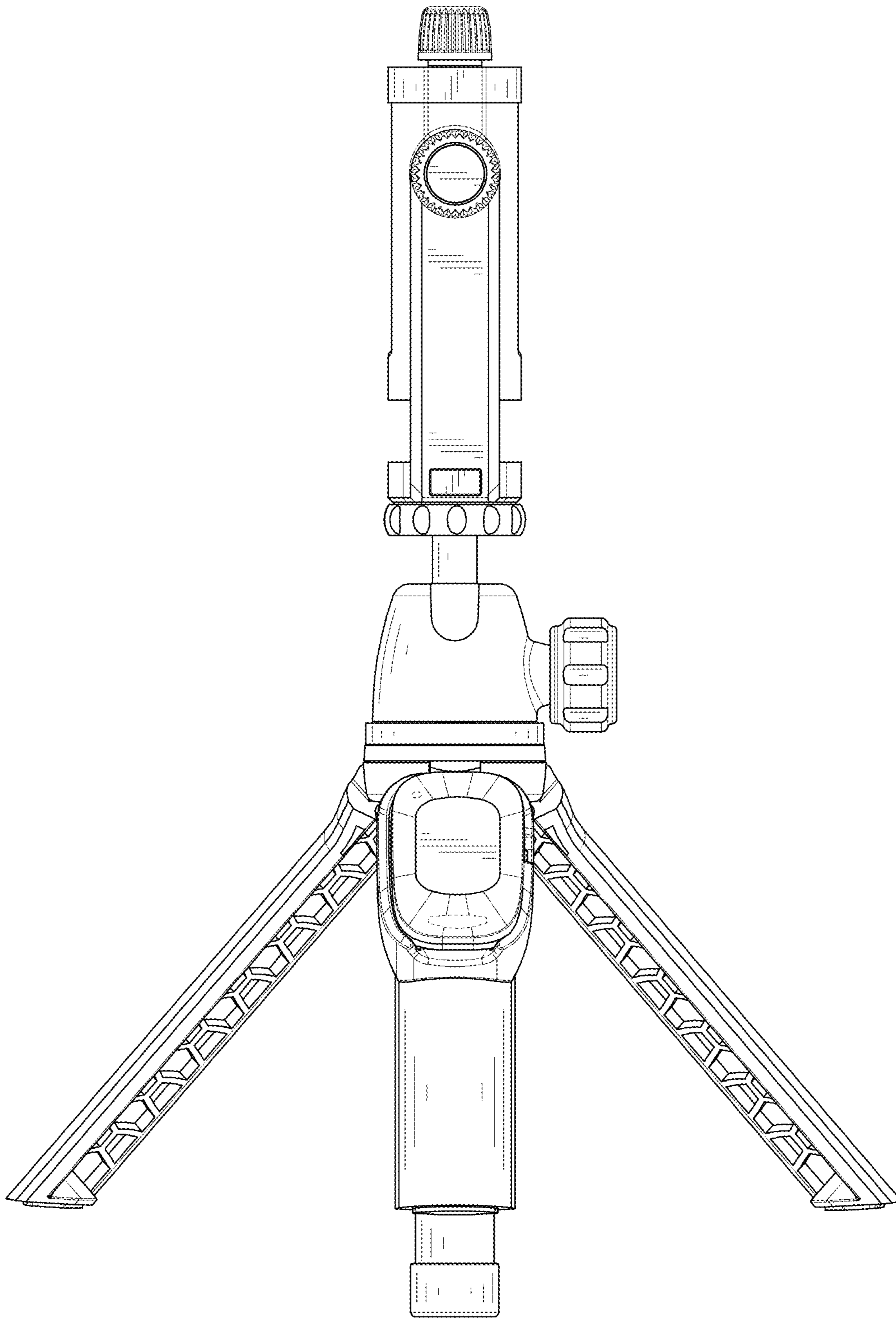


FIG. 4

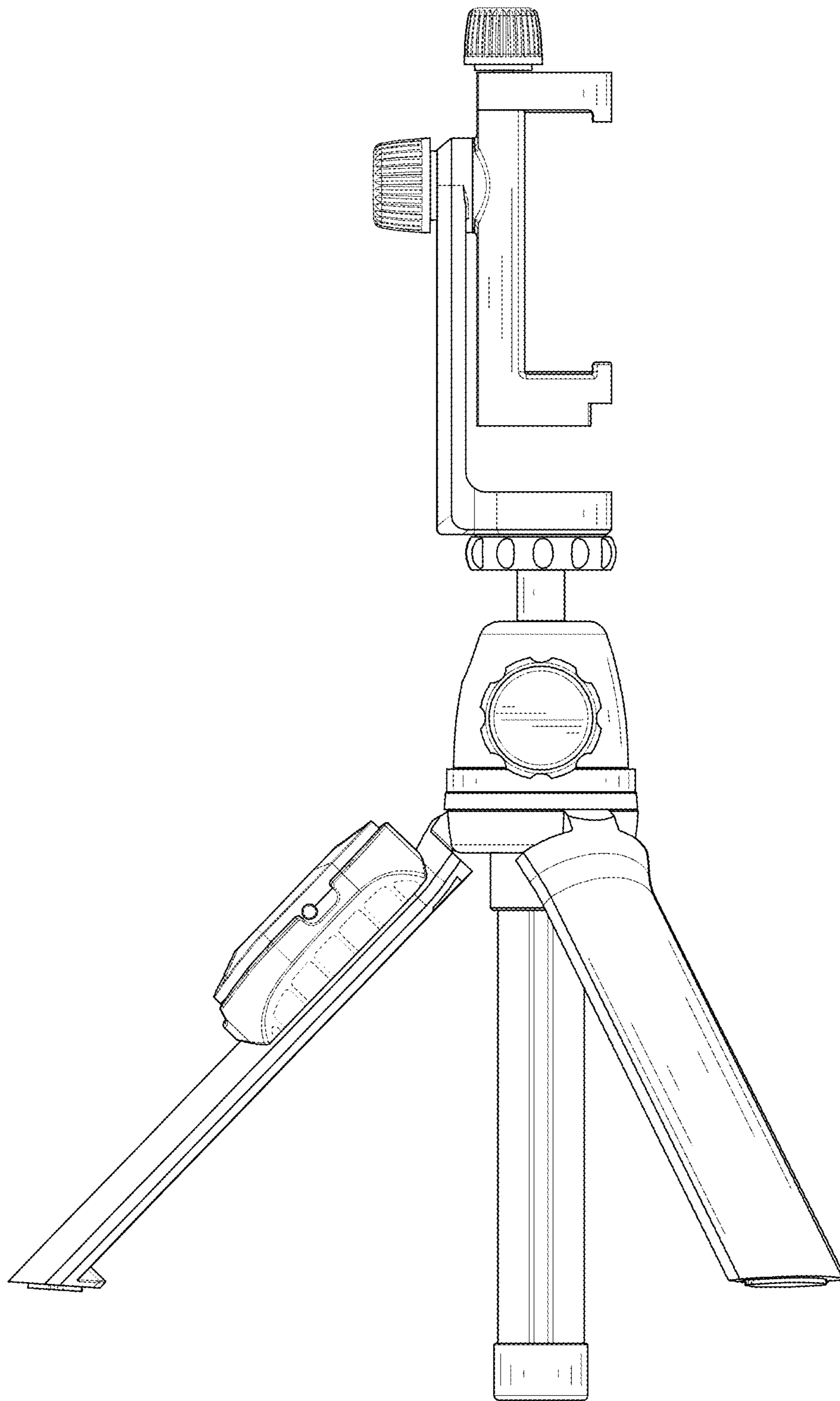


FIG. 5

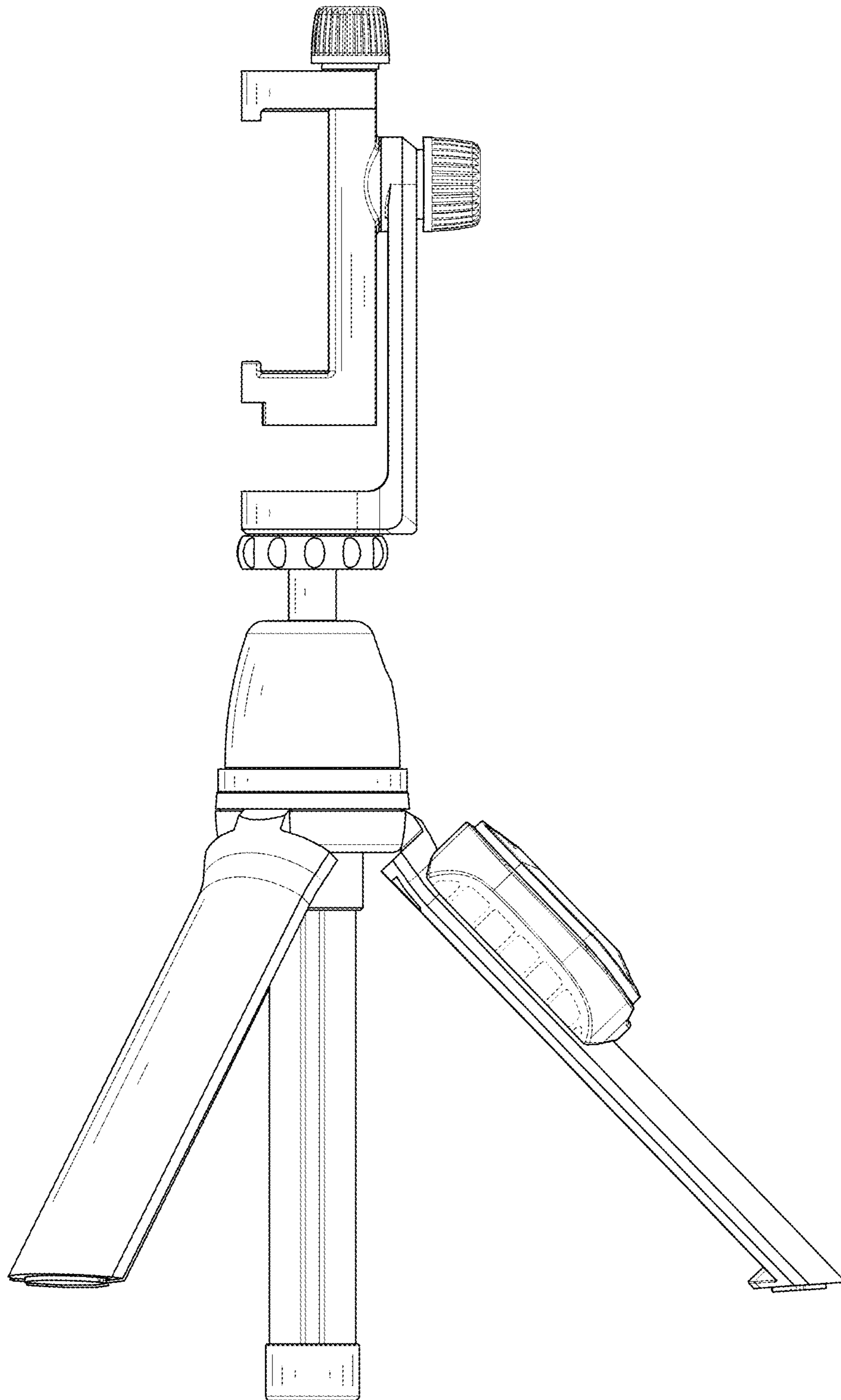


FIG. 6

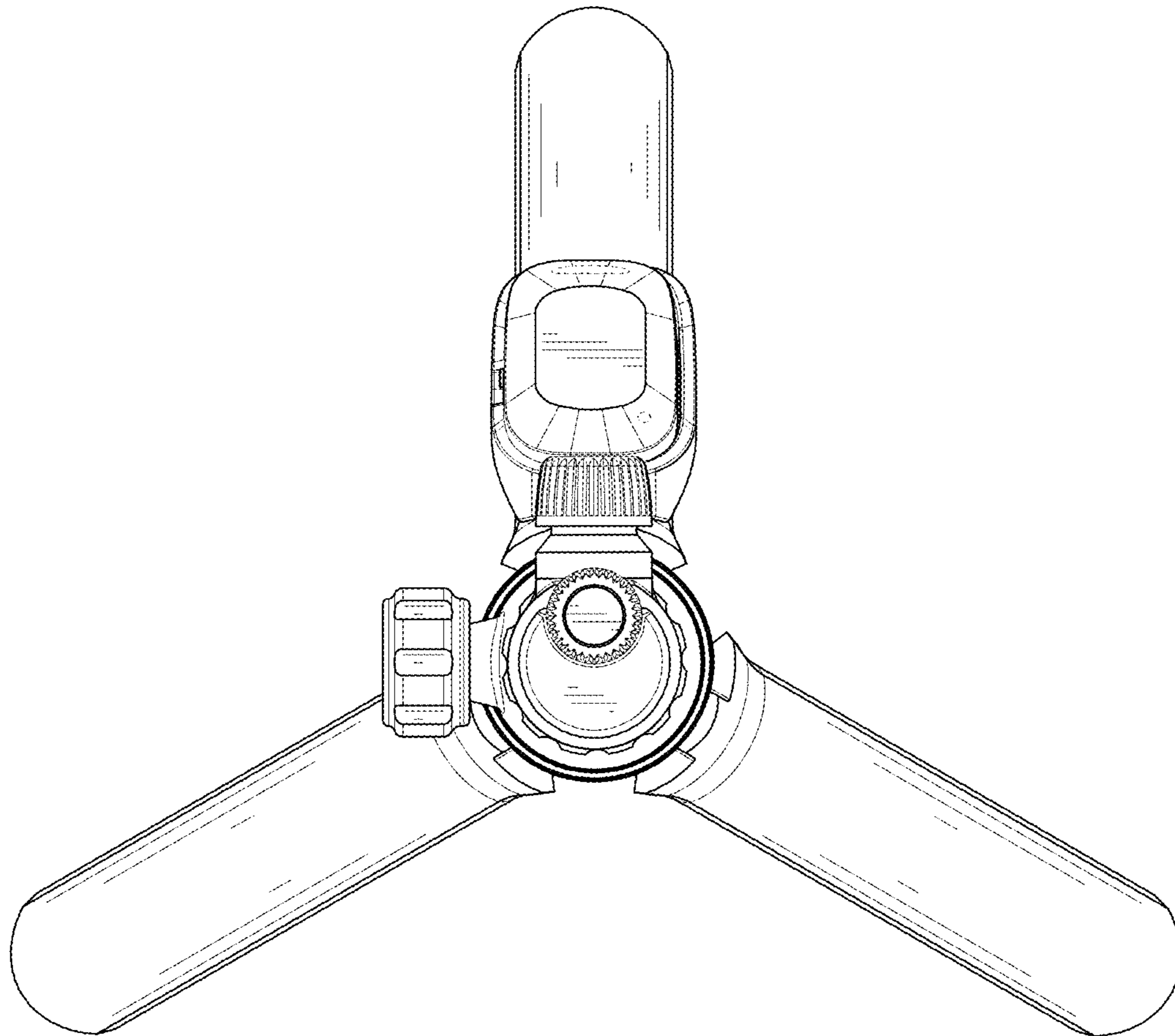


FIG. 7



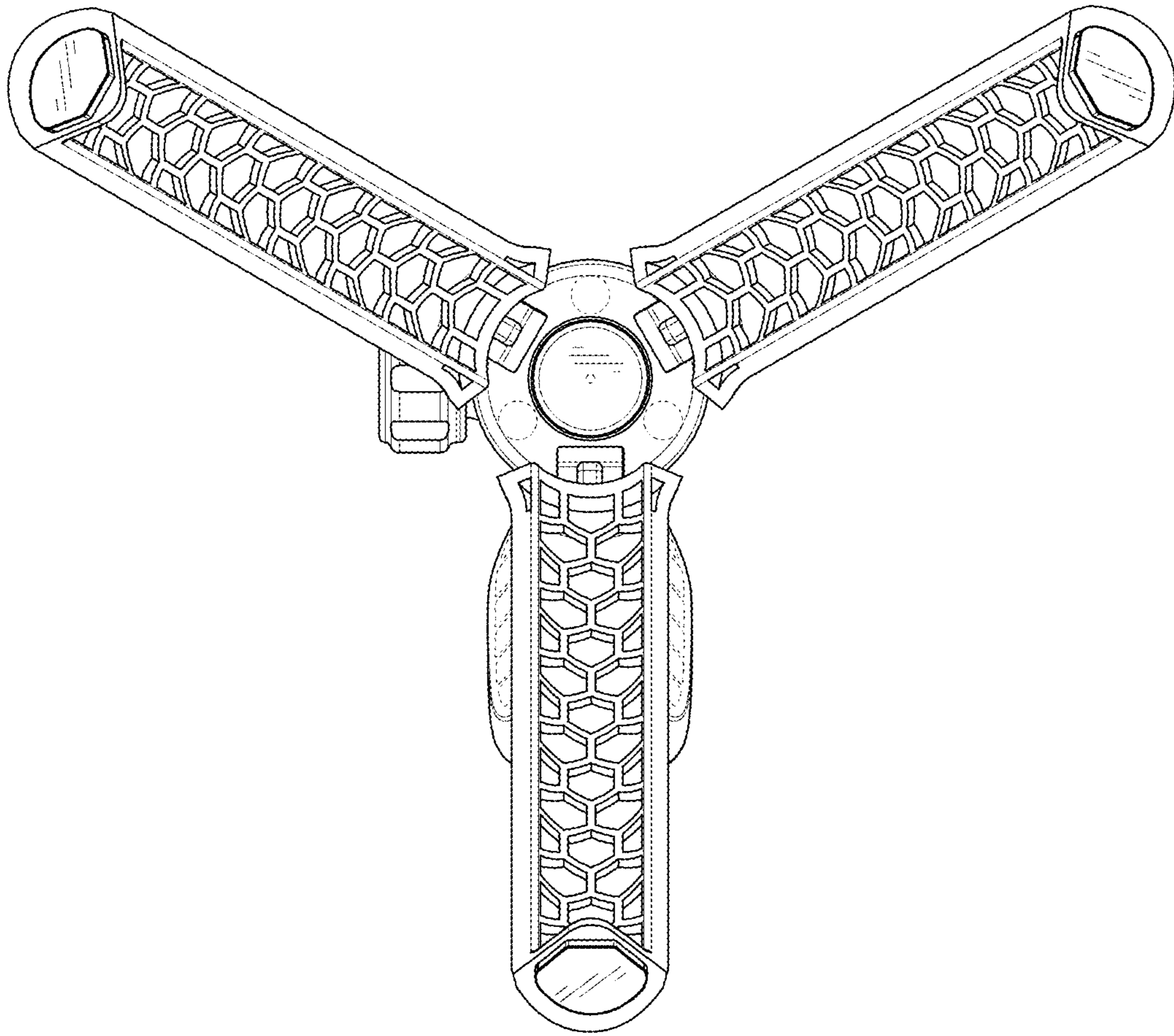


FIG. 8

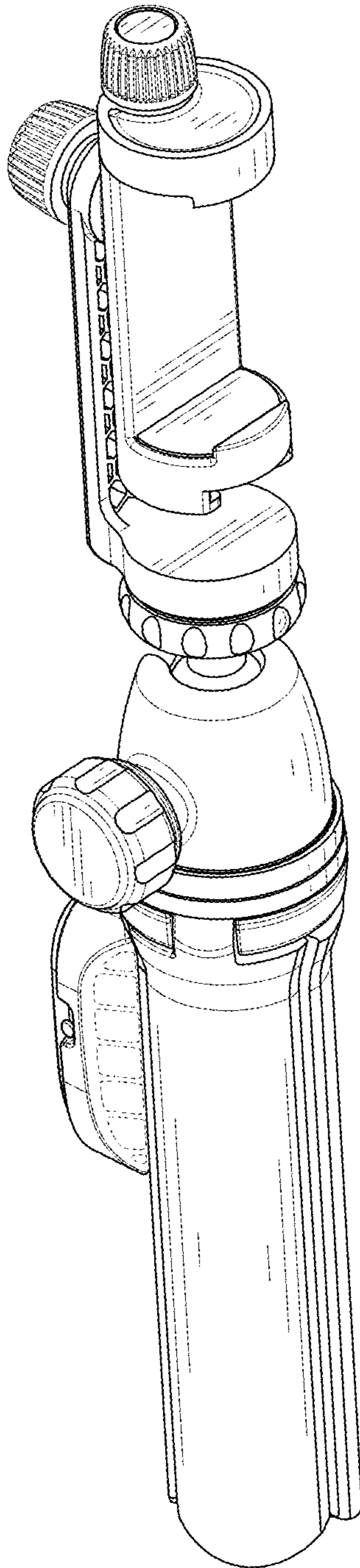


FIG. 9

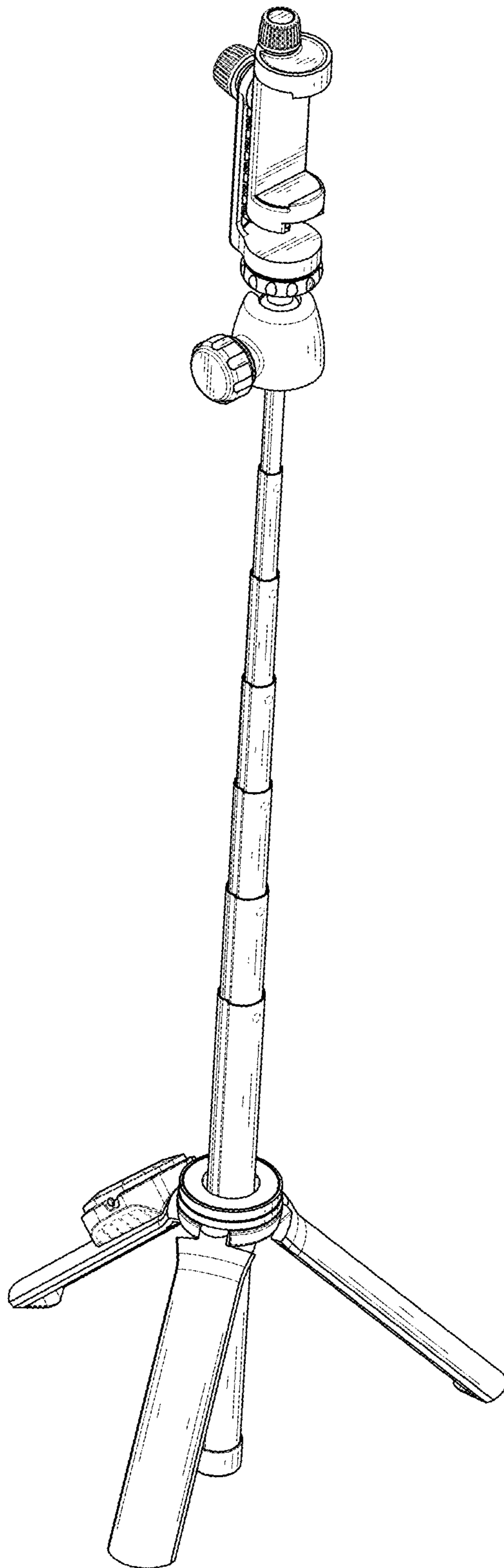


FIG. 10

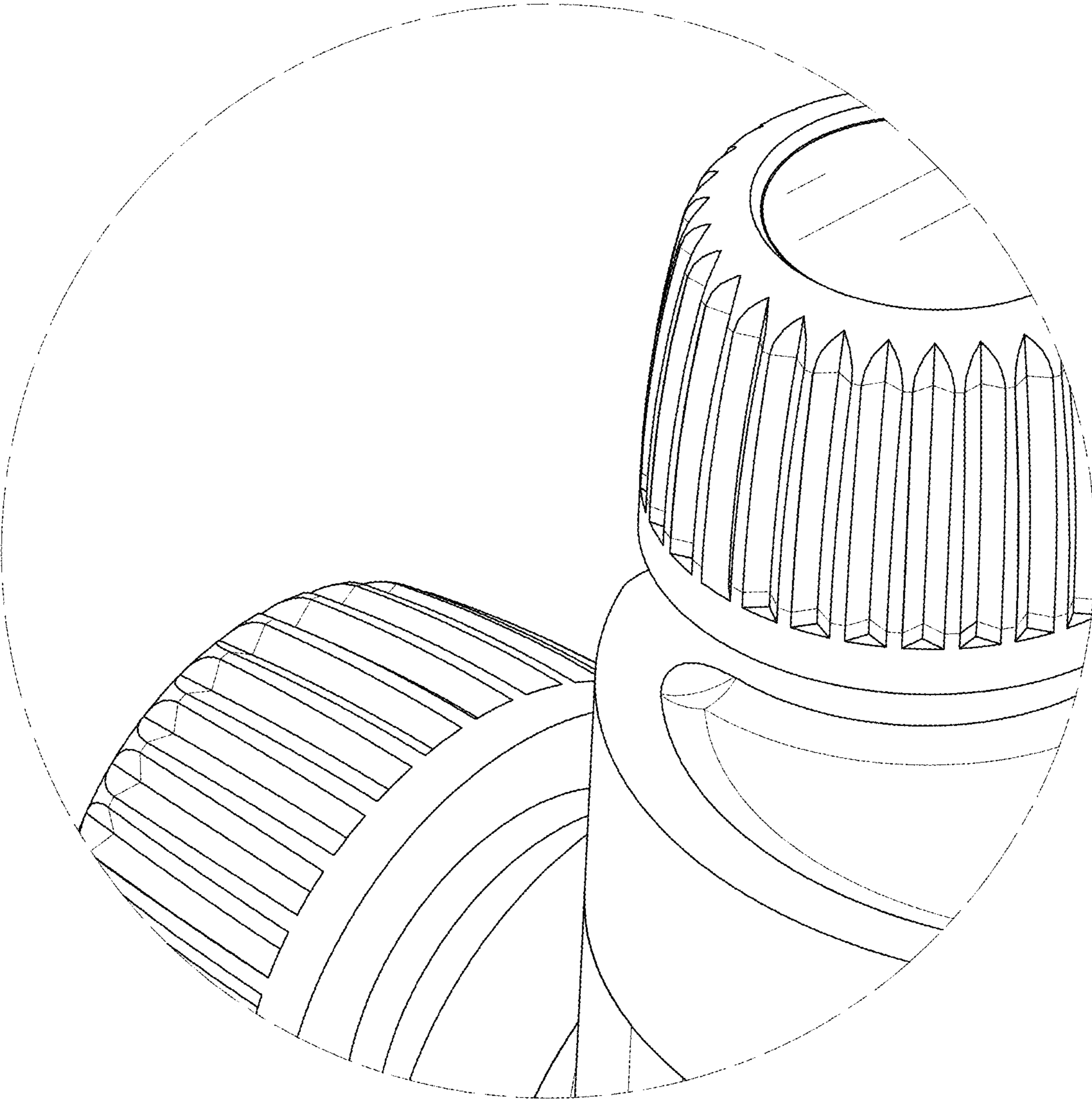


FIG. 11

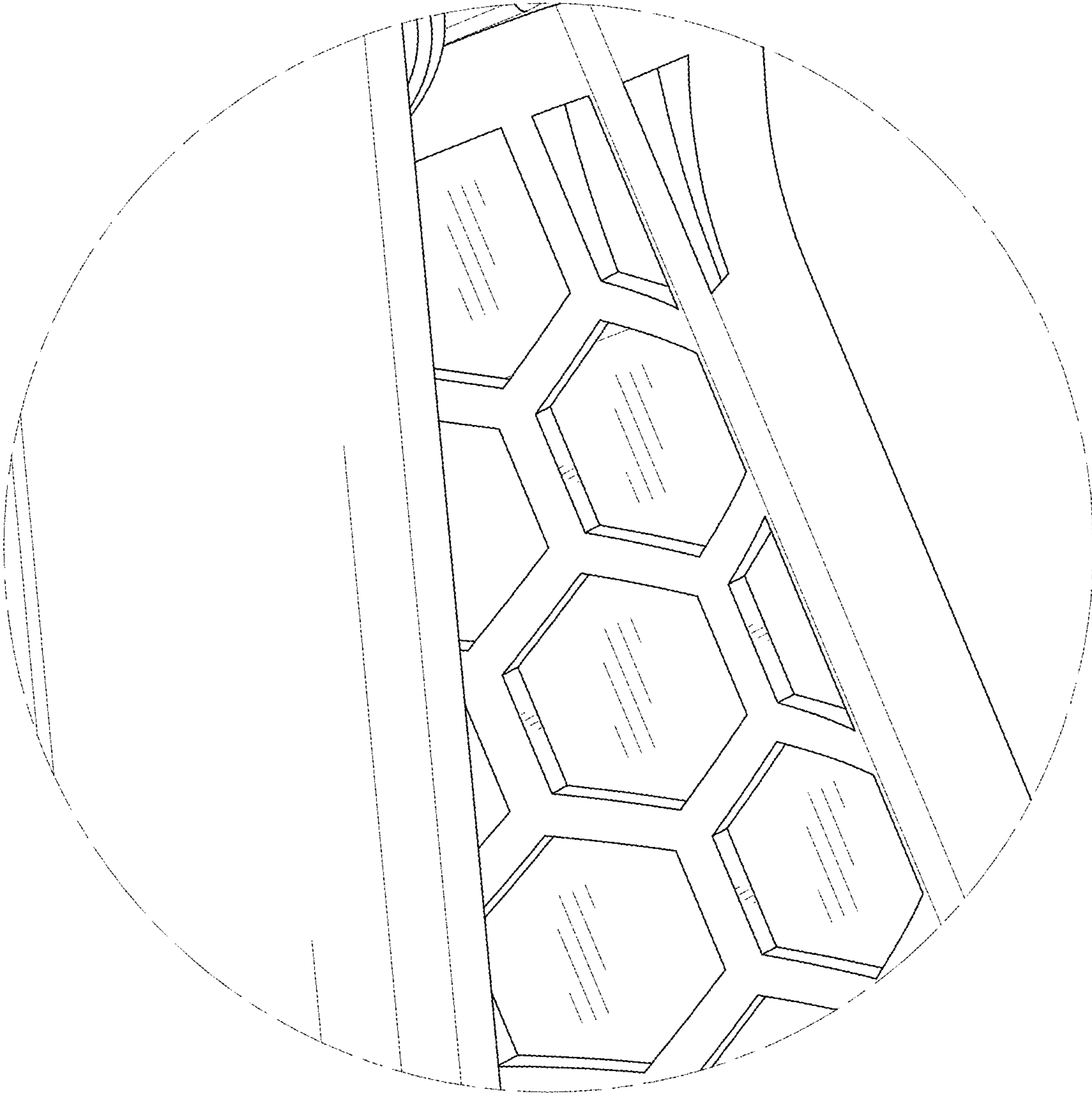


FIG. 12