



US00D969201S

(12) **United States Design Patent** (10) **Patent No.:** **US D969,201 S**  
**Deng** (45) **Date of Patent:** **\*\* Nov. 8, 2022**

(54) **CAMERA DESK MOUNT**  
(71) Applicant: **Shenzhen Lerong Electric Technology Limited Company, Shenzhen (CN)**  
(72) Inventor: **Juhua Deng, Shenzhen (CN)**  
(73) Assignee: **Shenzhen Lerong Electric Technology Limited Company, Shenzhen (CN)**  
(\*\*) Term: **15 Years**  
(21) Appl. No.: **29/796,544**  
(22) Filed: **Jun. 24, 2021**  
(51) **LOC (13) Cl.** ..... **16-05**  
(52) **U.S. Cl.**  
USPC ..... **D16/242**  
(58) **Field of Classification Search**  
USPC ..... D16/219, 237, 242-245; D8/354, 355, D8/363, 373, 382, 383, 394-396; D14/224, 229, 238, 251, 253, 447, 451, D14/457  
CPC ..... G03B 17/56; G03B 17/561-566; G02B 7/00-002; H04N 5/2253-2254; F16M 11/06-10; F16M 11/14; A45F 5/00; A45F 5/10  
See application file for complete search history.

D924,311 S \* 7/2021 Ke ..... D16/242  
D931,866 S \* 9/2021 Ke ..... D14/451  
D932,539 S \* 10/2021 Hong ..... D16/242  
D934,851 S \* 11/2021 Kaiser ..... D16/242  
D940,523 S \* 1/2022 Nana ..... D8/73

**OTHER PUBLICATIONS**

Pixel Desk Camera Mount Stand, [online] Published on Nov. 16, 2020. Retrieved Jun. 8, 2022 from URL: <https://www.amazon.com/Tabletop-Adjustable-Aluminum-Rotatable-Standard/dp/B08NJZ25C1> (Year: 2020).\*  
Desk Camera Mount Stand, [online] Published on Apr. 8, 2021. Retrieved Jun. 8, 2022 from URL: <https://www.ubuy.com.tr/en/product/NSM316M-desk-camera-mount-stand-14-25-5-inch-tabletop-c-clamp-mount-stand-adjustable-aluminum-light-stand-wi> (Year: 2021).\*

\* cited by examiner

*Primary Examiner* — Vy N Koenig  
(74) *Attorney, Agent, or Firm* — Zhihua Han; Wen IP LLC

(57) **CLAIM**

The ornamental design for a camera desk mount, as shown and described.

**DESCRIPTION**

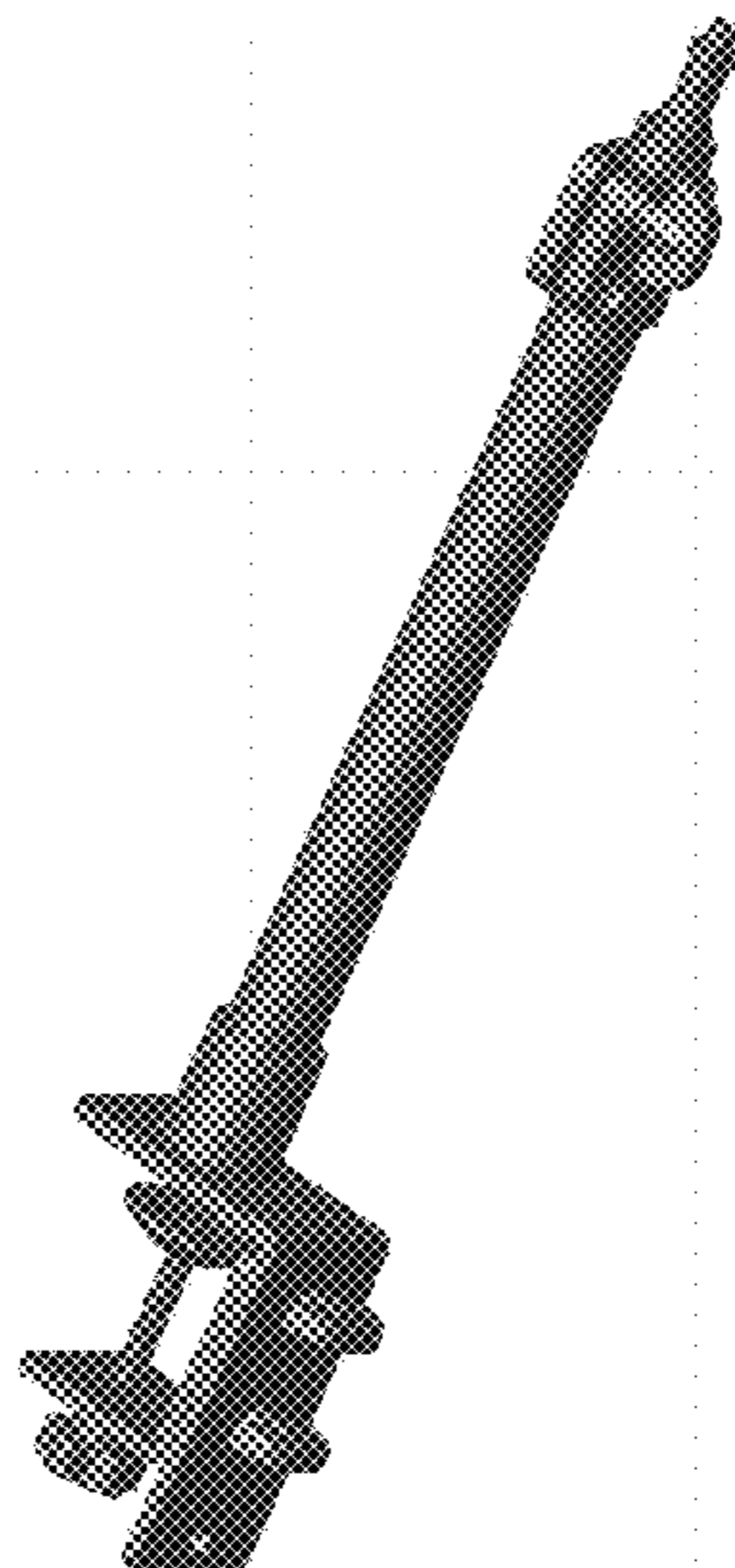
FIG. 1 is a top, front, and right side perspective view of a camera desk mount, showing my new design;  
FIG. 2 is a front elevation view thereof;  
FIG. 3 is rear elevation view thereof;  
FIG. 4 is a left side elevation view thereof,  
FIG. 5 is a right side elevation view thereof;  
FIG. 6 is a top plan view thereof;  
FIG. 7 is a bottom plan view thereof;  
FIG. 8 is a top; front, and right side perspective view thereof;  
FIG. 9 is a bottom; rear, and left side perspective view thereof; and,  
FIG. 10 is a bottom; rear, and left side perspective view thereof.

**1 Claim, 10 Drawing Sheets**

(56) **References Cited**

**U.S. PATENT DOCUMENTS**

D281,073 S \* 10/1985 Hanke ..... D16/245  
D411,220 S \* 6/1999 Surabian ..... 396/428  
D498,251 S \* 11/2004 Invencio ..... D16/242  
D568,326 S \* 5/2008 Muday ..... D14/452  
D584,734 S \* 1/2009 Chu ..... D14/452  
D746,353 S 12/2015 Woodman et al.  
D748,182 S \* 1/2016 Polito ..... D16/242  
D758,474 S 6/2016 Harrison et al.  
D798,872 S \* 10/2017 Gonen ..... D14/447  
9,945,514 B1 \* 4/2018 Huang ..... F16M 13/022  
D883,704 S \* 5/2020 Monnes ..... D6/406.1  
D922,395 S \* 6/2021 Shu ..... D14/452



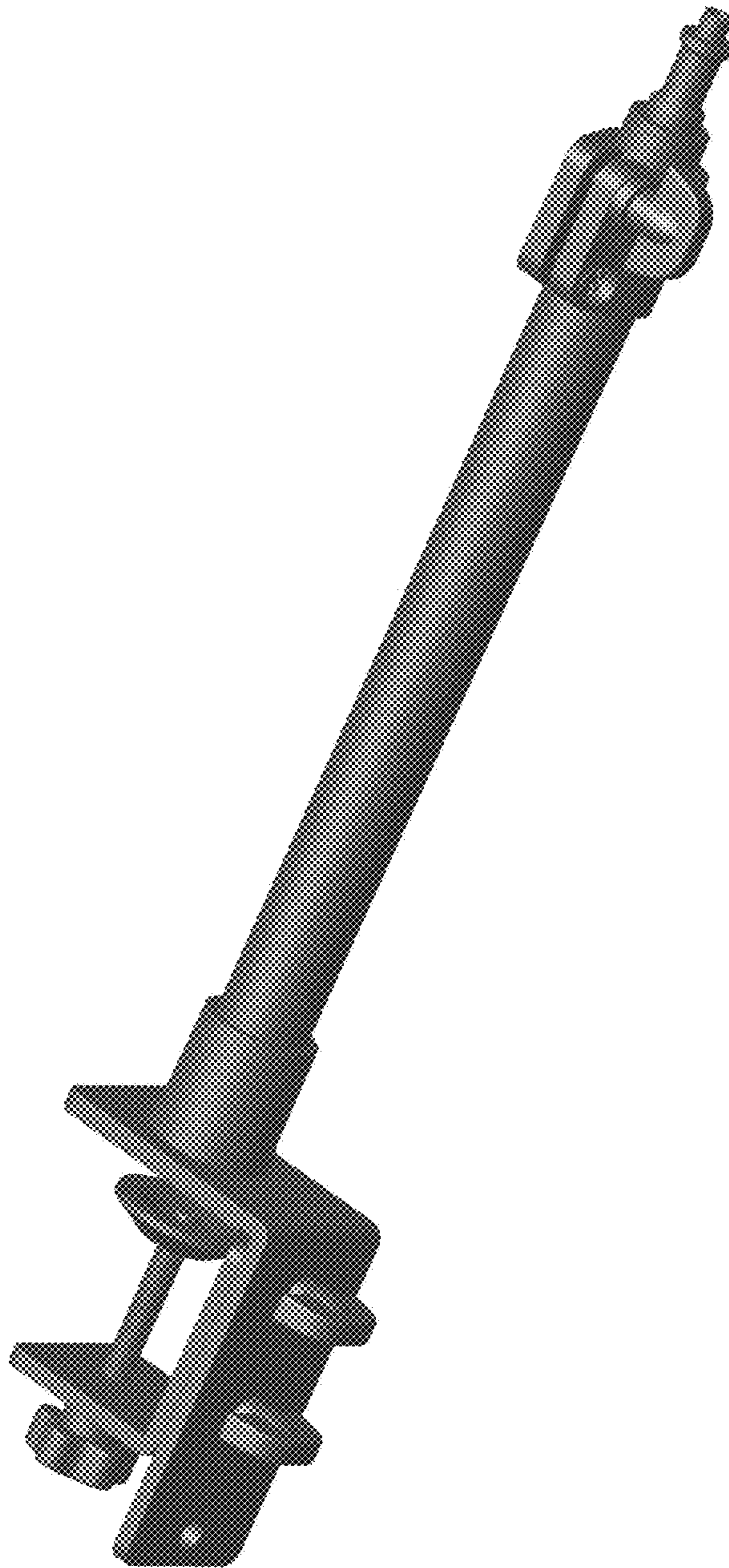


FIG. 1

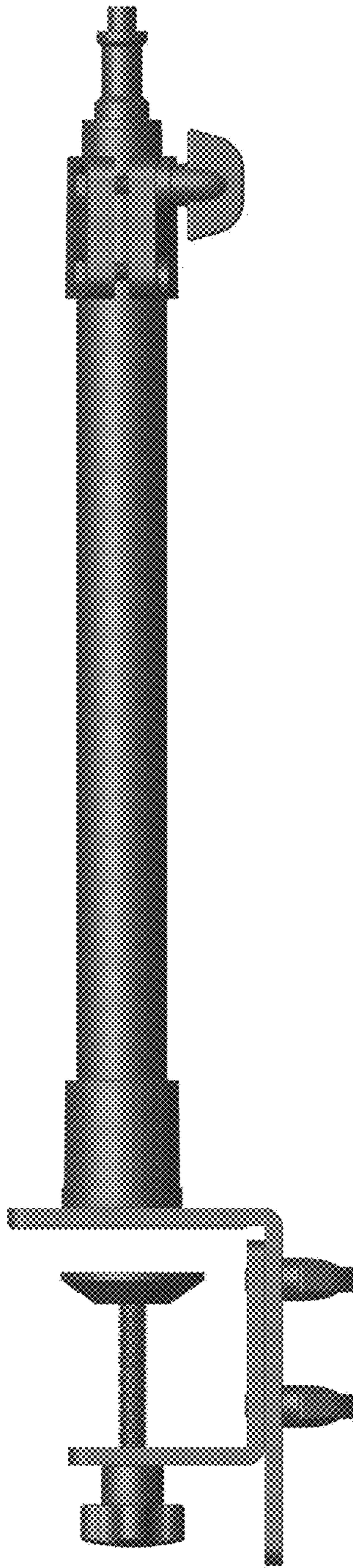


FIG. 2

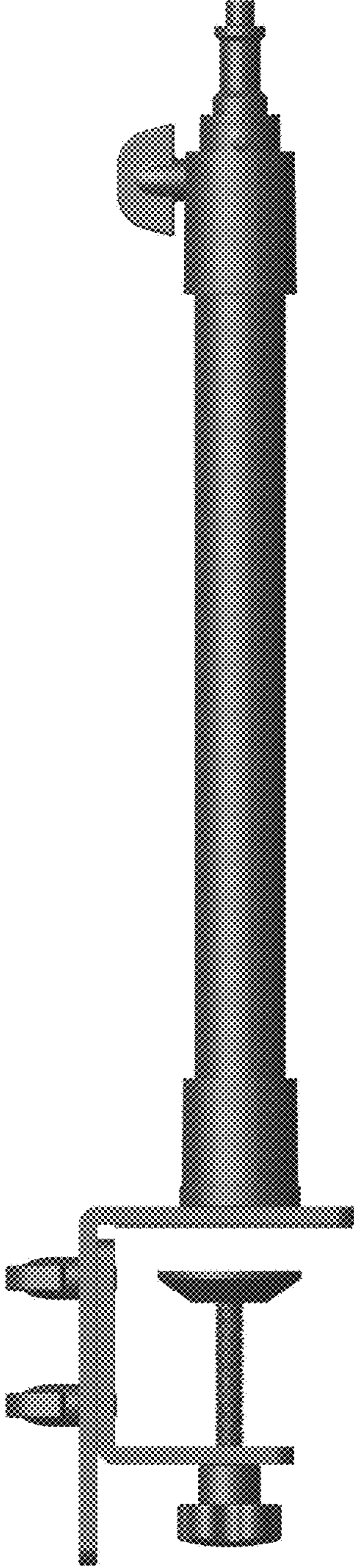


FIG. 3

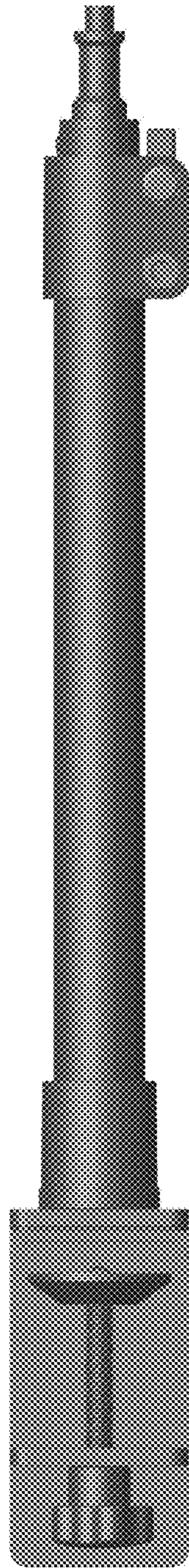


FIG. 4

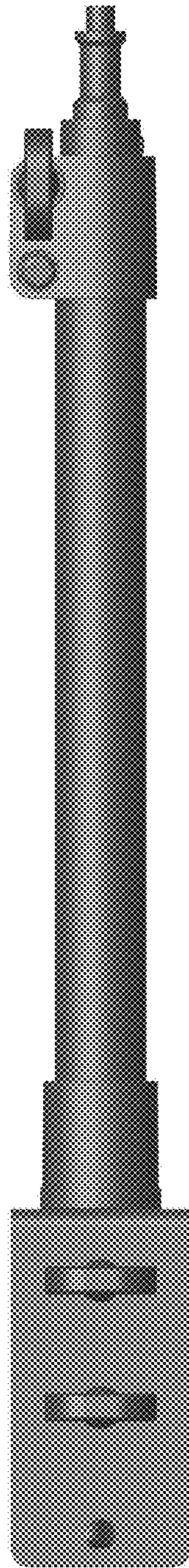


FIG. 5

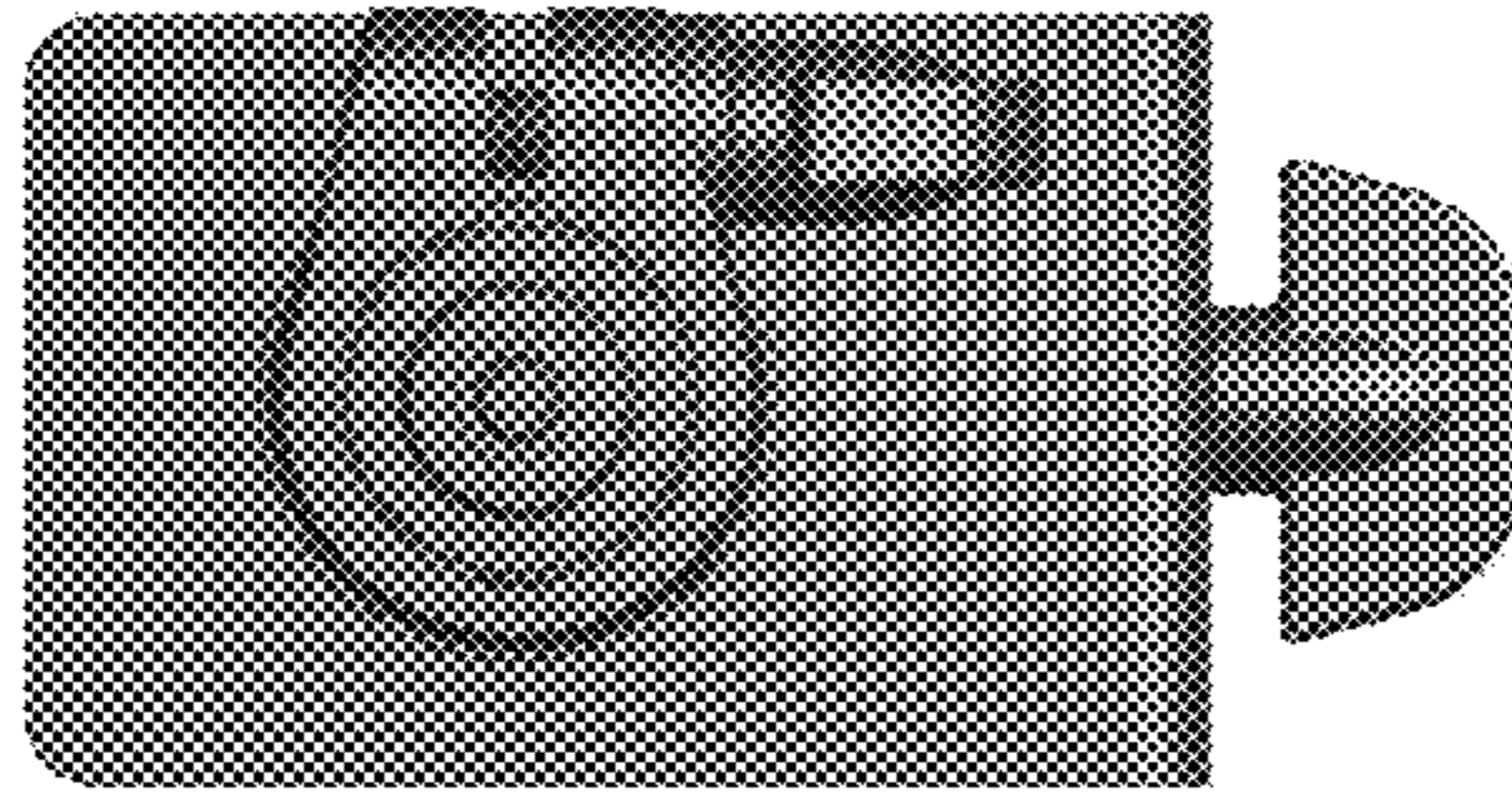


FIG. 6

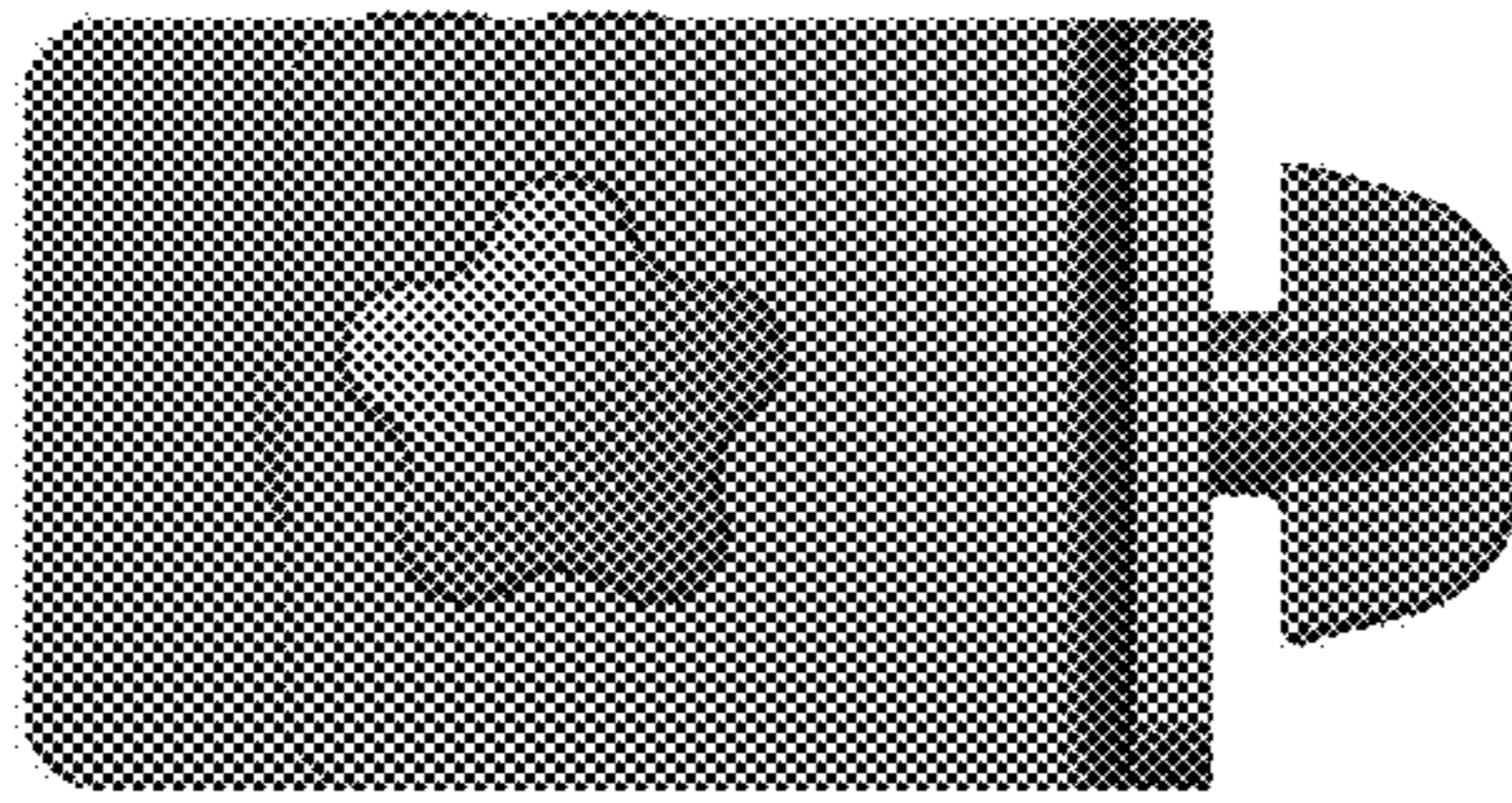


FIG. 7



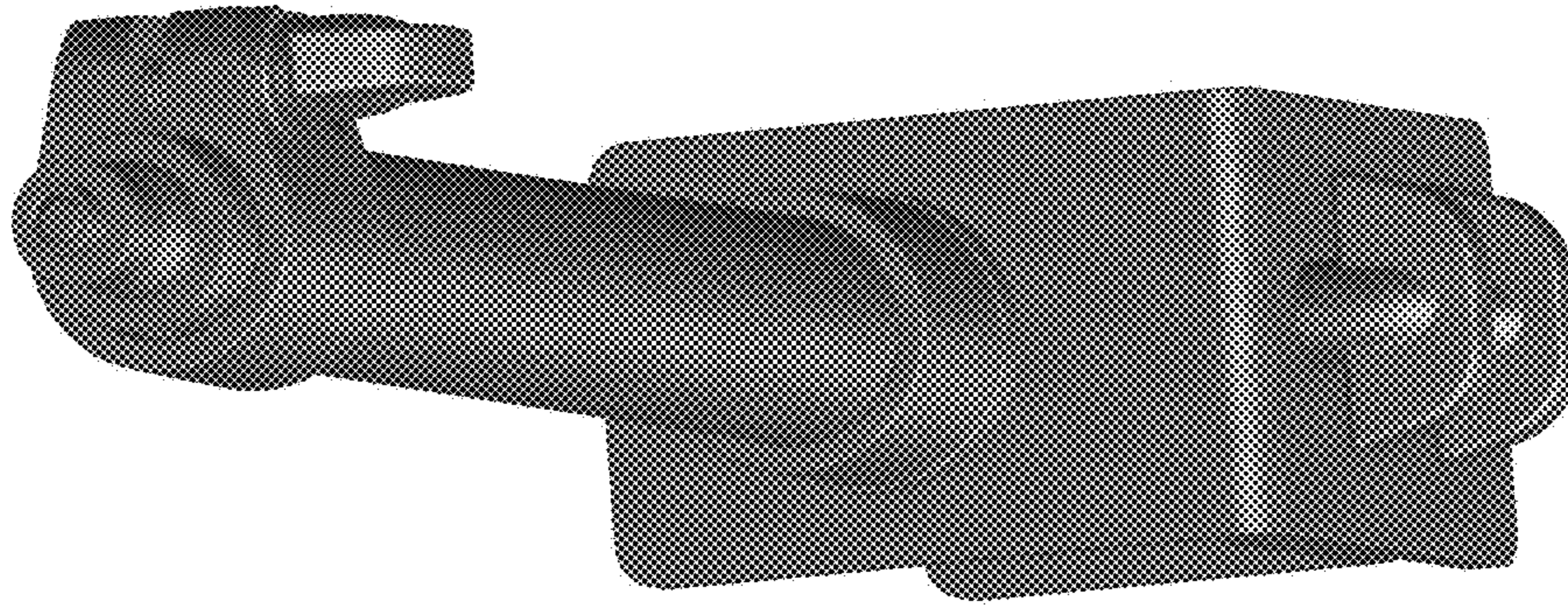


FIG. 8

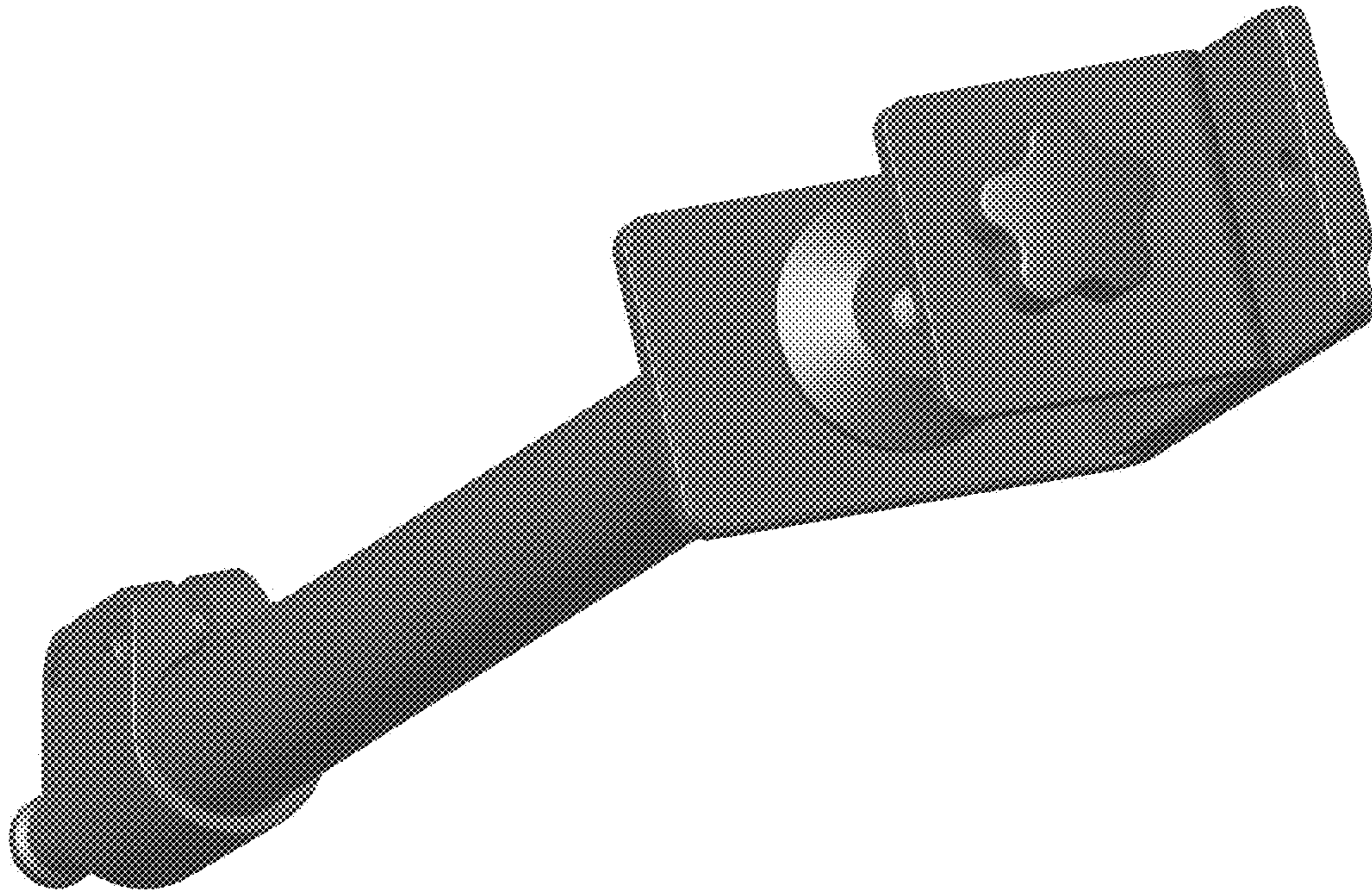


FIG. 9

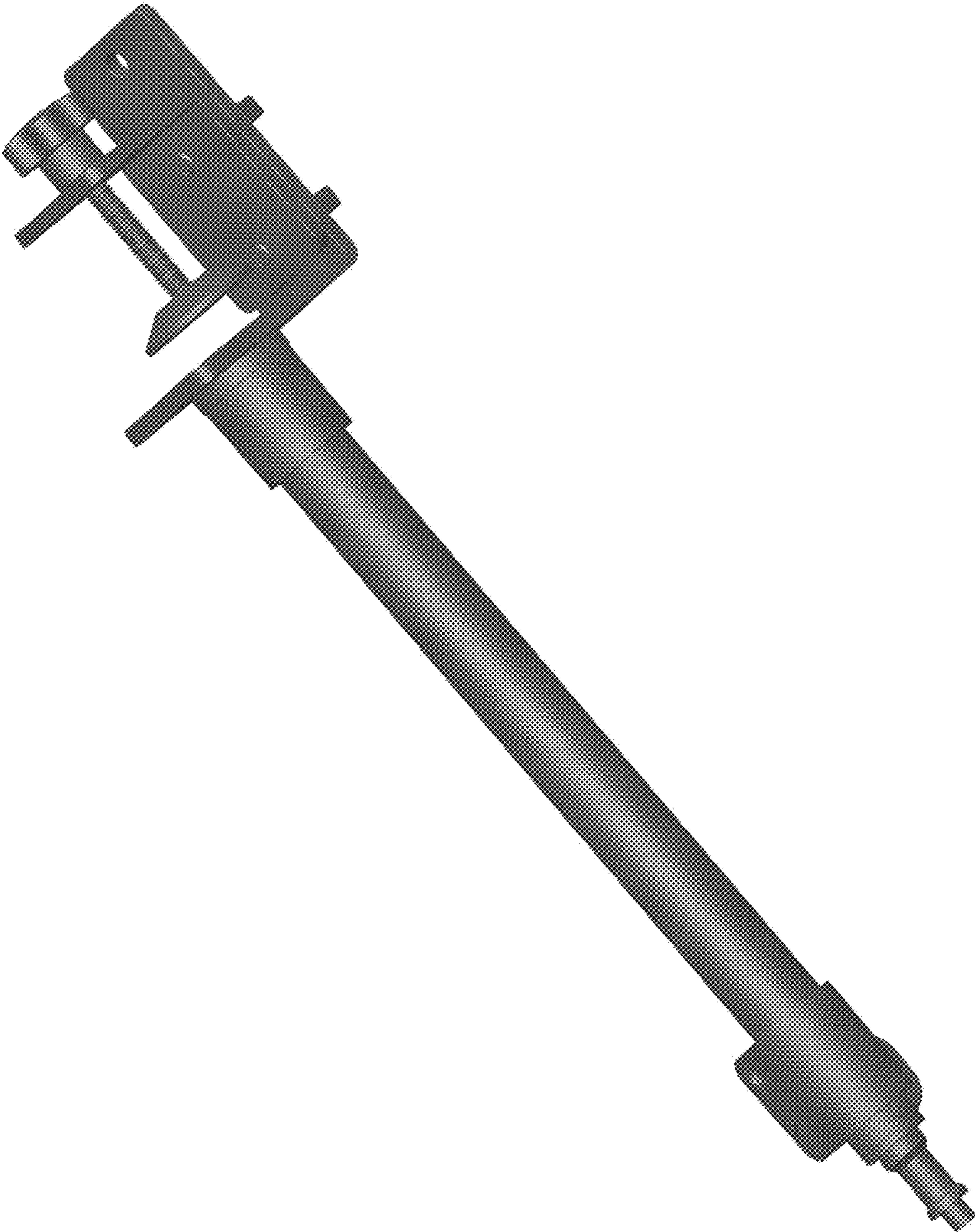


FIG. 10