



US00D969200S

(12) **United States Design Patent**
Lin

(10) **Patent No.:** **US D969,200 S**

(45) **Date of Patent:** **** Nov. 8, 2022**

(54) **CAMERA**

(71) Applicant: **Weihua Lin**, Fujian (CN)

(72) Inventor: **Weihua Lin**, Fujian (CN)

(**) Term: **15 Years**

(21) Appl. No.: **29/781,670**

(22) Filed: **Apr. 30, 2021**

(51) **LOC (13) Cl.** **16-05**

(52) **U.S. Cl.**
USPC **D16/242**

(58) **Field of Classification Search**
USPC D16/237, 203, 214, 219, 239-245, 250,
D16/200, 201, 204, 209; D14/251, 253;
D8/396

CPC F16M 11/08; G03B 17/561; G03B 17/563
See application file for complete search history.

(56) **References Cited**

U.S. PATENT DOCUMENTS

4,739,542	A *	4/1988	Krzesicki	F16L 23/10
					285/411
D438,783	S *	3/2001	Elliott	F16L 23/10
					D8/396
D700,835	S *	3/2014	Langlois	D8/396
D731,299	S *	6/2015	Sugiura	D8/396
D735,025	S *	7/2015	Mathien	D8/396
D764,567	S *	8/2016	Bennett	D16/242
D798,939	S *	10/2017	Costa	D16/242
D798,940	S *	10/2017	Costa	D16/242
D833,265	S *	11/2018	Meola	D8/396
D838,266	S *	1/2019	Ho	D12/114
D861,473	S *	10/2019	Yesavage	D8/396
D869,545	S *	12/2019	Lee	D16/242
D876,944	S *	3/2020	Fleck	D23/262

D928,041	S *	8/2021	Jones	D12/114
D938,272	S *	12/2021	Hoffmann	D8/396
D947,168	S *	3/2022	Jiao	D14/253
D947,169	S *	3/2022	Jiao	D14/253
2018/0187704	A1 *	7/2018	Chang	F16M 11/041

OTHER PUBLICATIONS

“iSportgo Bike Bracket Bicycle Mount Holder,” first available Aug. 19, 2016, retrieved on Aug. 11, 2022 from <https://www.amazon.com/iSportgo-Bracket-Bicycle-Bluetooth-Speakers/dp/B01KNICDOY/> (Year: 2016).*

* cited by examiner

Primary Examiner — Maria J. Edwards

Assistant Examiner — Dina Michelle Hoeynck

(74) *Attorney, Agent, or Firm* — ScienBiziP, P.C.

(57) **CLAIM**

The ornamental design for a camera, as shown and described.

DESCRIPTION

FIG. 1 is a front, left, and top perspective view of a camera, showing my design.

FIG. 2 is a rear, right, and bottom perspective view thereof.

FIG. 3 is a front elevation view thereof.

FIG. 4 is a rear elevation view thereof.

FIG. 5 is a left side elevation view thereof.

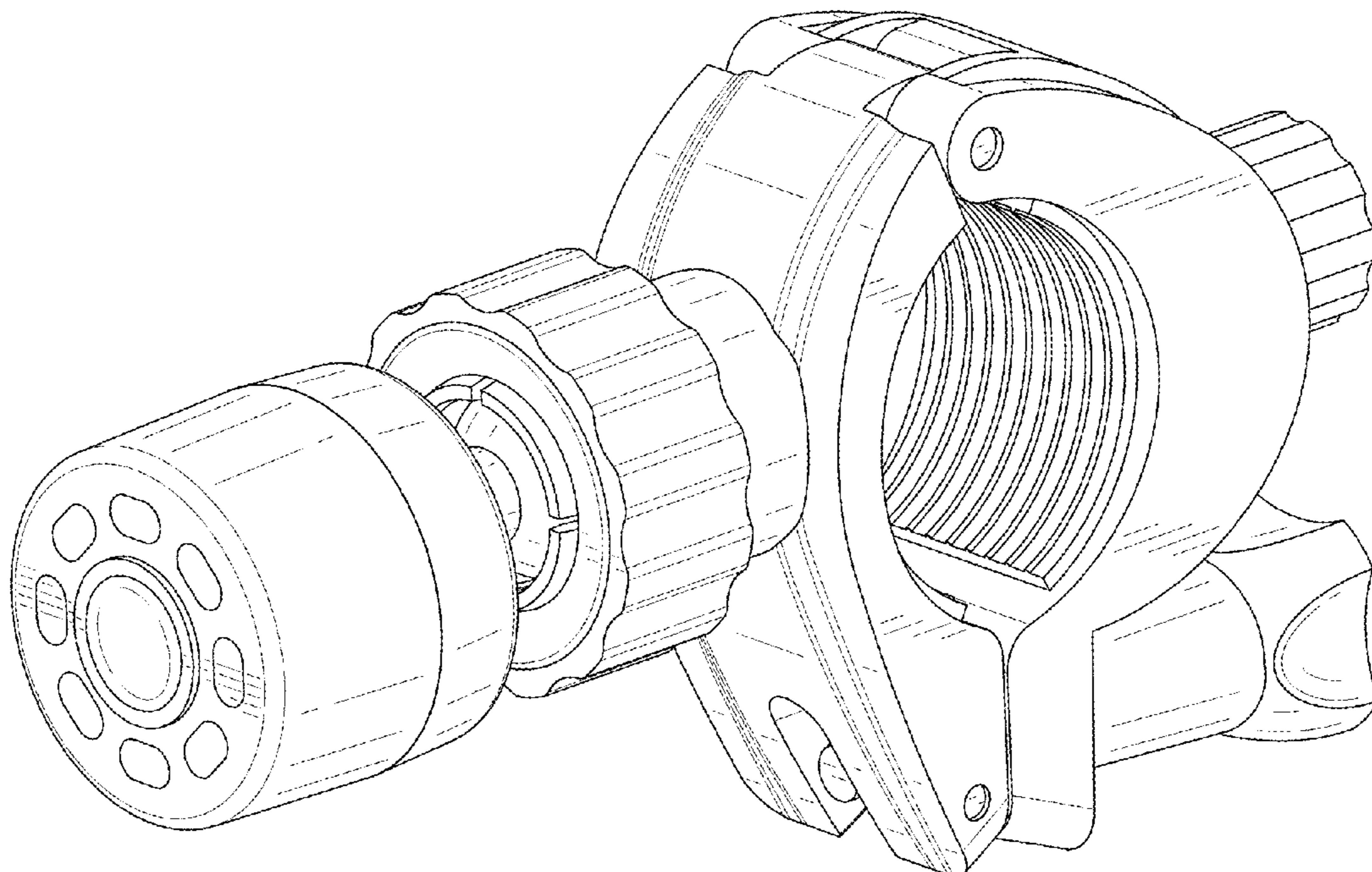
FIG. 6 is a right side elevation view thereof.

FIG. 7 is a top plan view thereof; and,

FIG. 8 is a bottom plan view thereof.

The broken lines shown in the drawings are included for the purpose of illustrating portions of the camera that form no part of the claimed design.

1 Claim, 8 Drawing Sheets



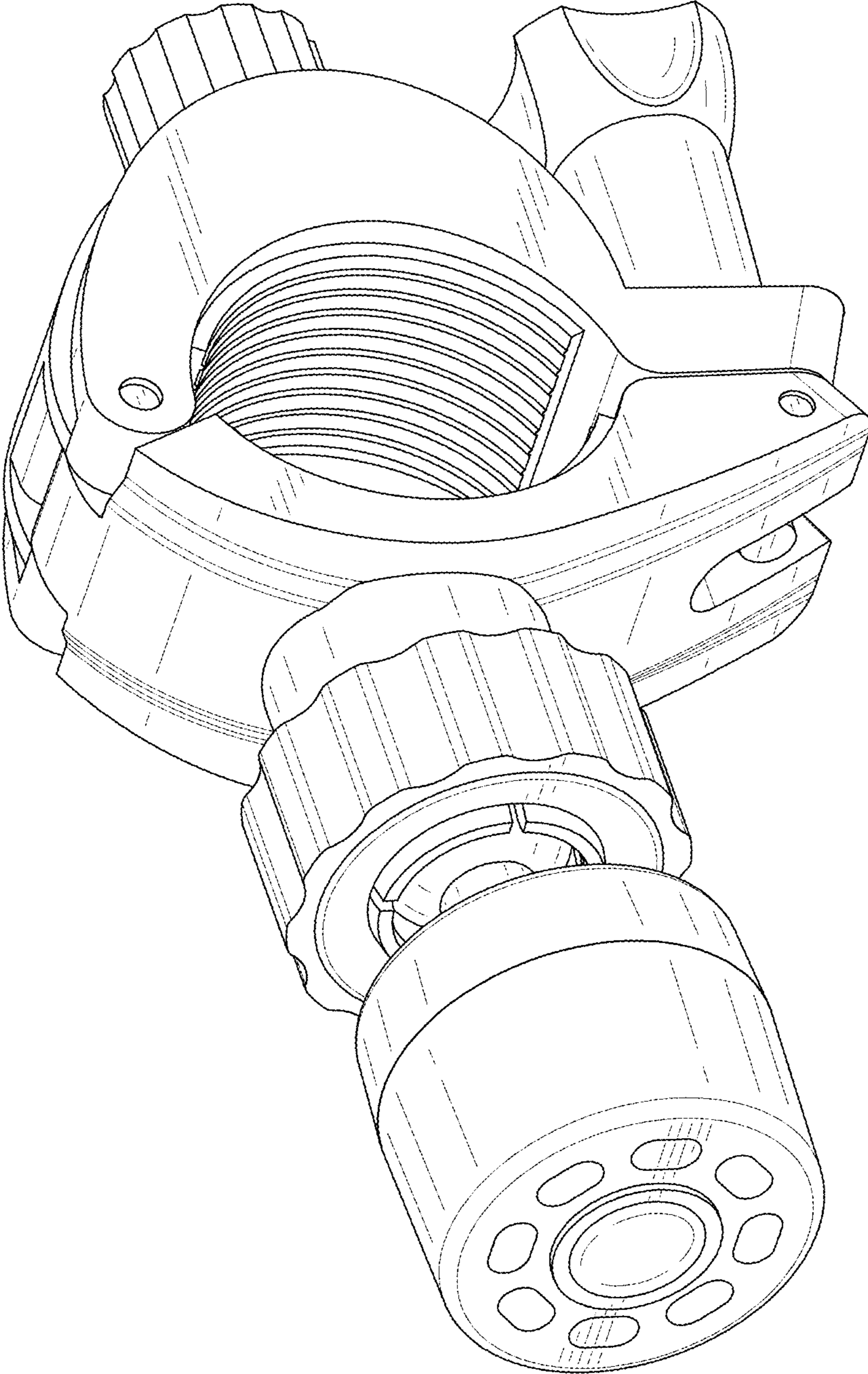


FIG. 1

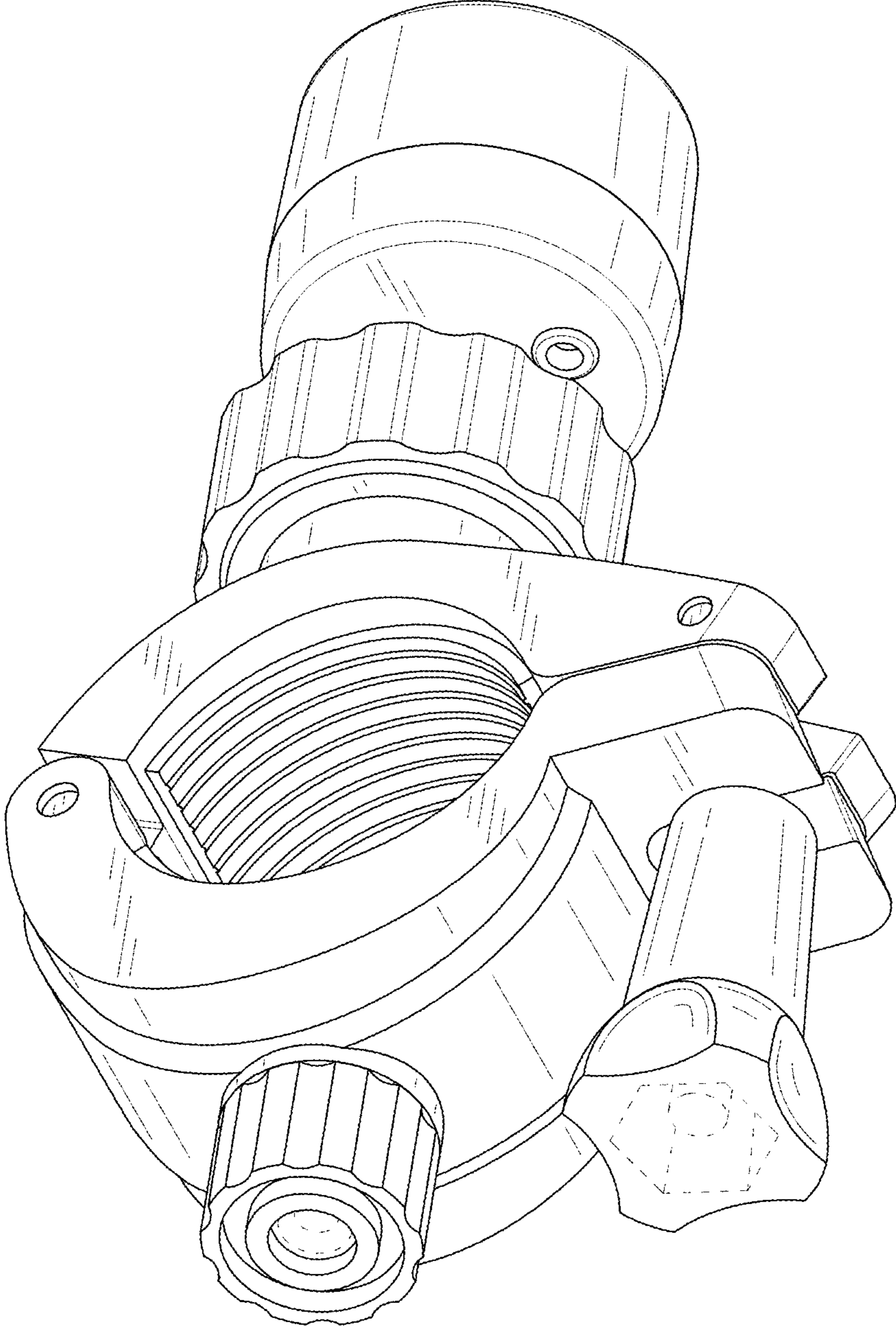


FIG. 2

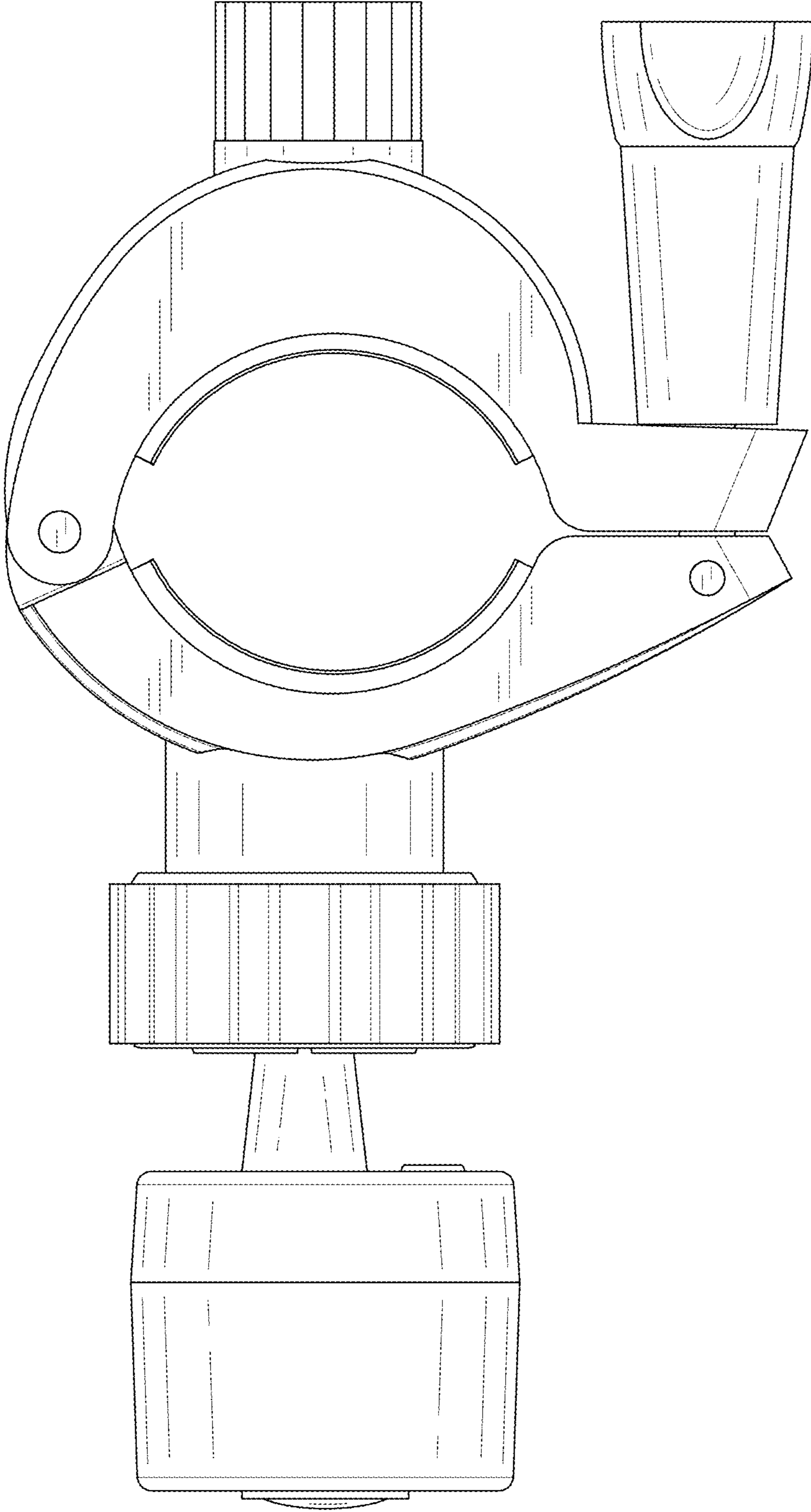


FIG. 3

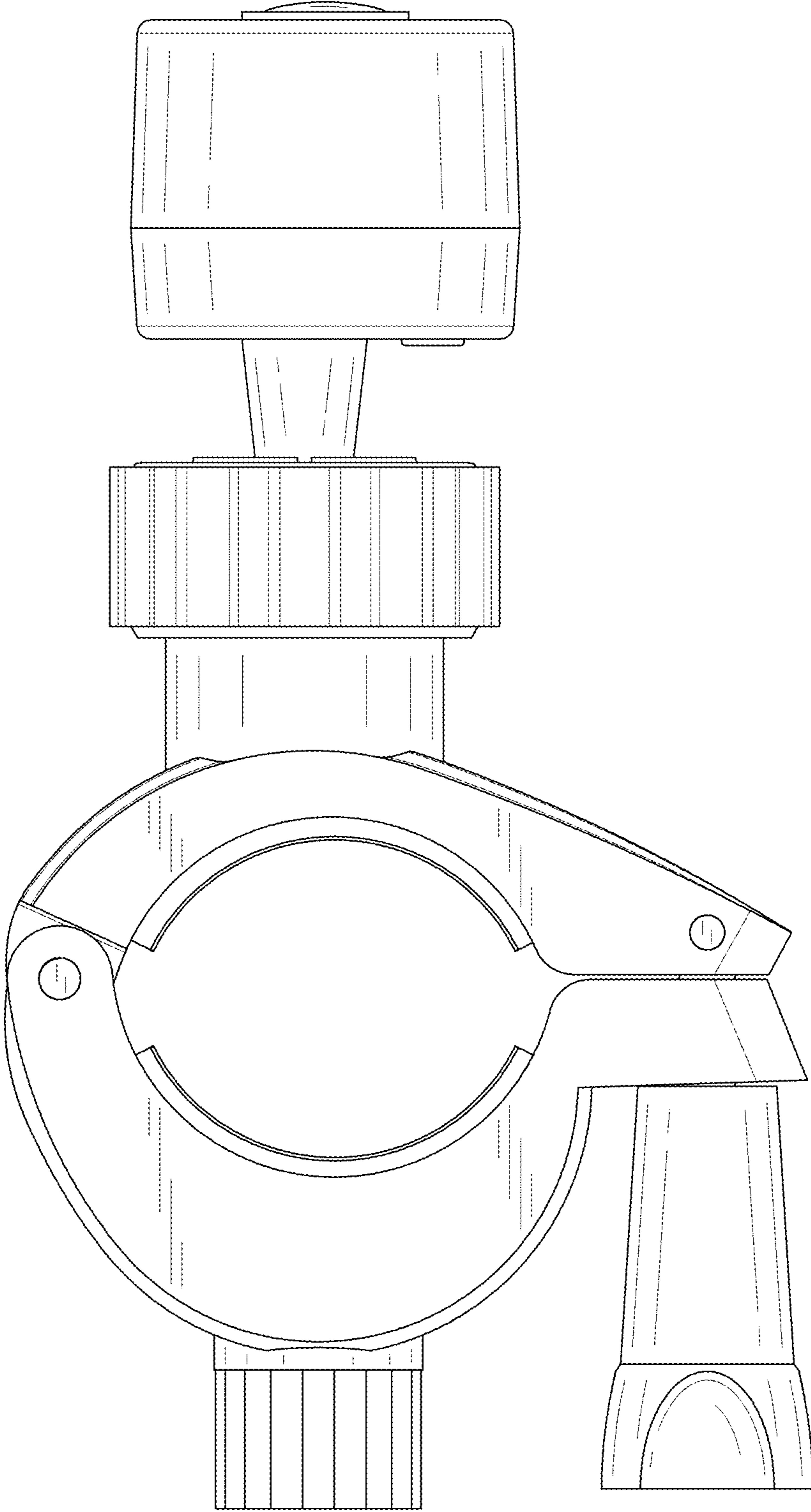


FIG. 4

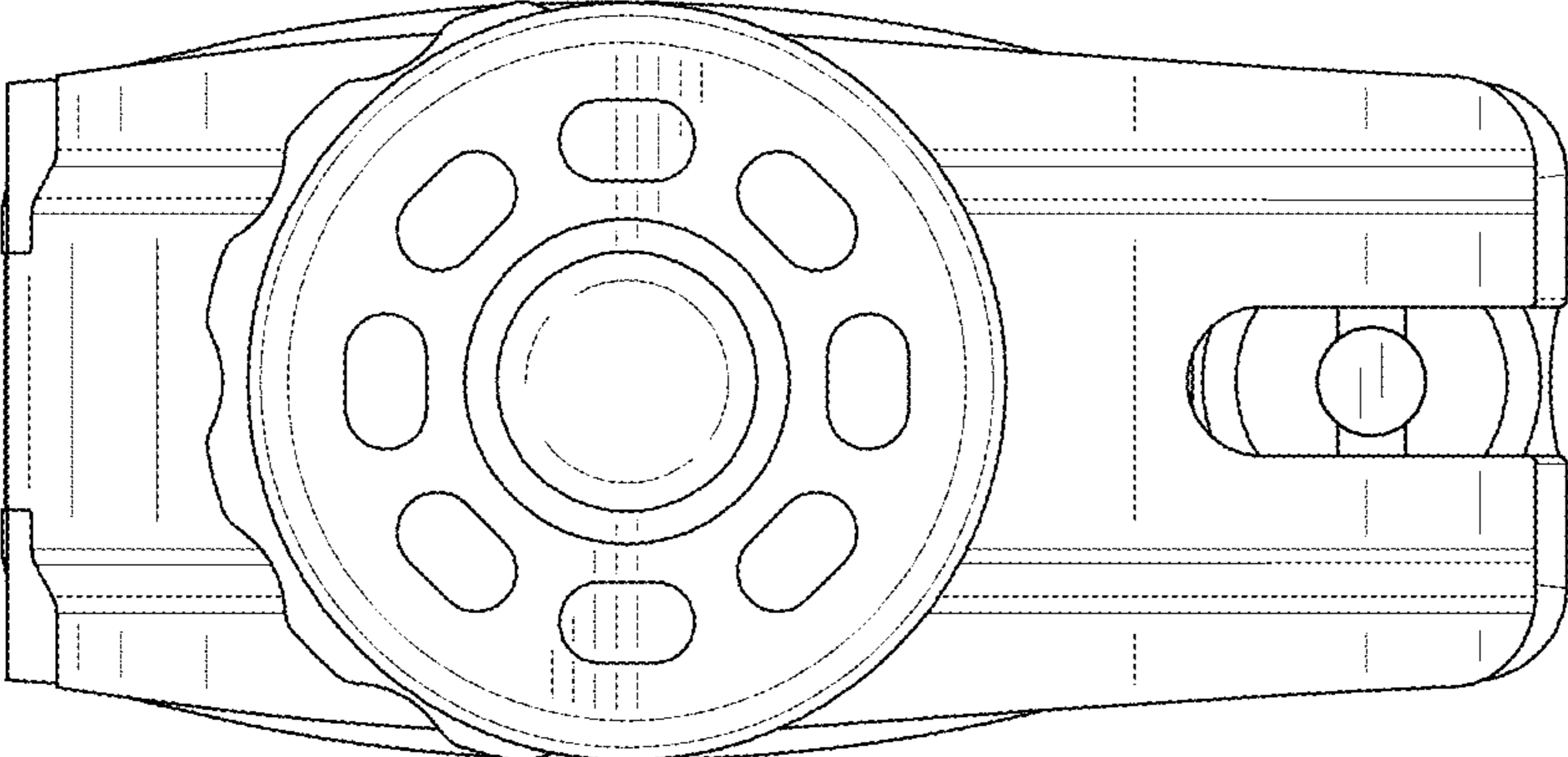


FIG. 5

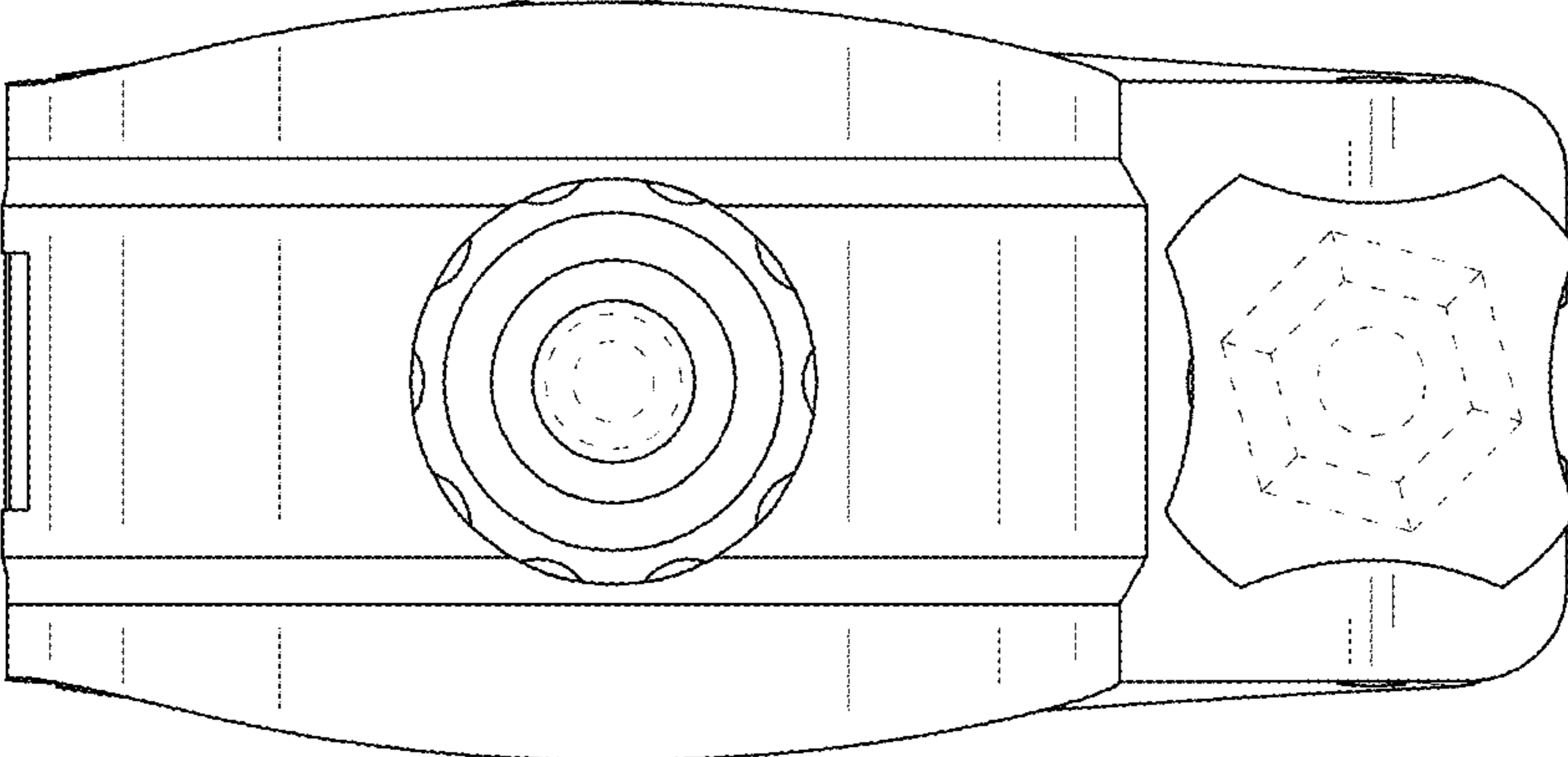


FIG. 6

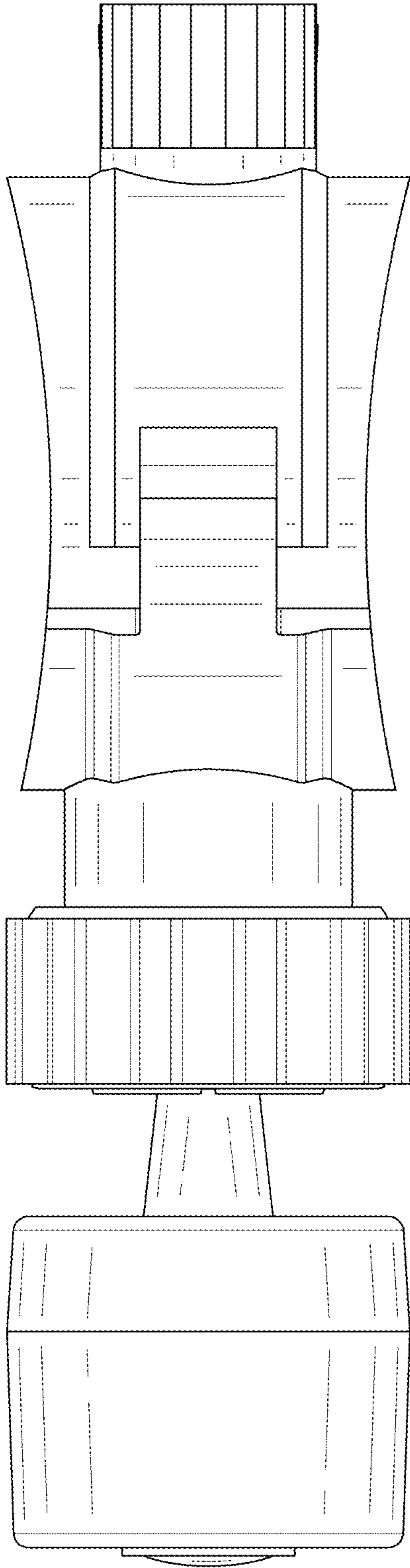


FIG. 7

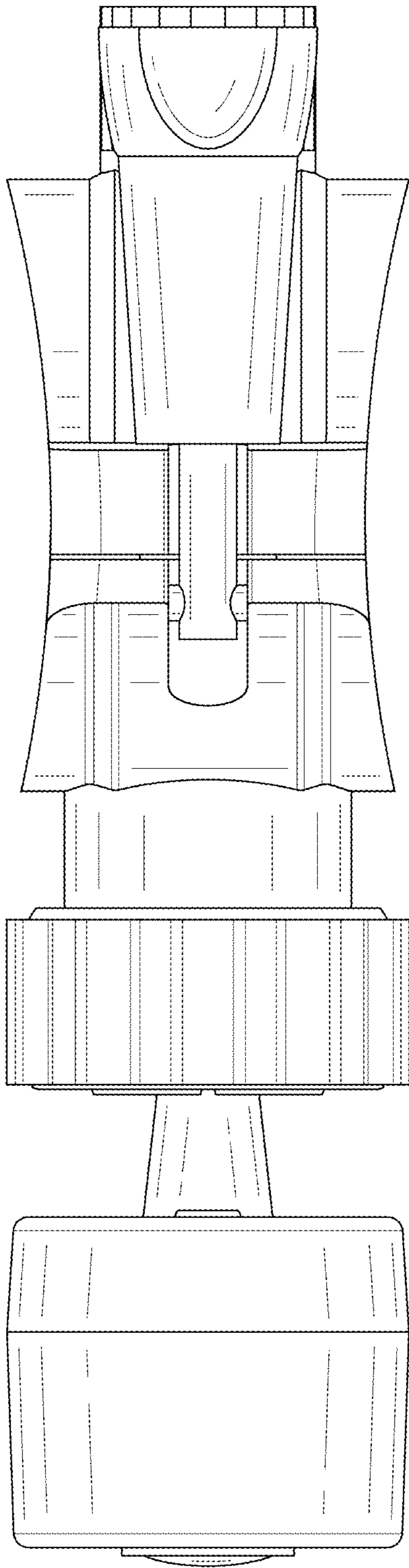


FIG. 8