



US00D969199S

(12) **United States Design Patent**
Feng et al.

(10) **Patent No.:** **US D969,199 S**

(45) **Date of Patent:** **** Nov. 8, 2022**

(54) **FILL-IN LAMP FOR PHOTOGRAPHY**

(71) Applicant: **Shenzhen Rihuida Electronics Co., Ltd.**, Guangdong (CN)

(72) Inventors: **Zhenhui Feng**, Guangdong (CN);
Jinqiu Li, Guangdong (CN)

(73) Assignee: **Shenzhen Rihuida Electronics Co., Ltd.**, Shenzhen (CN)

(**) Term: **15 Years**

(21) Appl. No.: **29/768,729**

(22) Filed: **Feb. 1, 2021**

(51) **LOC (13) Cl.** **16-05**

(52) **U.S. Cl.**
USPC **D16/239; D26/63**

(58) **Field of Classification Search**
USPC D16/209, 237, 238, 239, 230, 244;
D26/1, 37, 51, 60, 61, 63, 65, 67, 91,
D26/106, 107, 108, 111, 225; D14/374,
D14/375
CPC F21L 4/00; F21L 14/00; F21L 2/00; F21S
8/03; F21S 8/033; F21S 6/00; F21S
6/002; F21S 6/006; F21S 6/008; G02B
7/00; H04N 7/00
See application file for complete search history.

(56) **References Cited**

U.S. PATENT DOCUMENTS

D267,352 S * 12/1982 Suzuki D26/37
D269,913 S * 7/1983 Johnson D26/24
D547,353 S * 7/2007 Couch D16/237
D577,141 S * 9/2008 Monroe D26/61
D693,397 S * 11/2013 Zhan D26/63
D759,291 S * 6/2016 Chen D26/120
D762,902 S * 8/2016 Ke D26/63
10,216,066 B2 * 2/2019 Pilby G03B 15/06

D869,544 S * 12/2019 Zhan D16/237
D918,453 S * 5/2021 Rang D26/63
D919,151 S * 5/2021 Wu D26/63
D921,258 S * 6/2021 Xu D26/63
D925,105 S * 7/2021 Johnson D26/118
D937,251 S * 11/2021 Peng D16/237
D945,669 S * 3/2022 Hao D26/60
D946,644 S * 3/2022 Lin D16/244
D954,785 S * 6/2022 Liu D16/237
D956,337 S * 6/2022 McLaughlin D26/118
D957,714 S * 7/2022 Hodgson D26/106

FOREIGN PATENT DOCUMENTS

EM 008368518-0003 * 1/2021

* cited by examiner

Primary Examiner — Richard Kearney
Assistant Examiner — Benjamin M Weeks

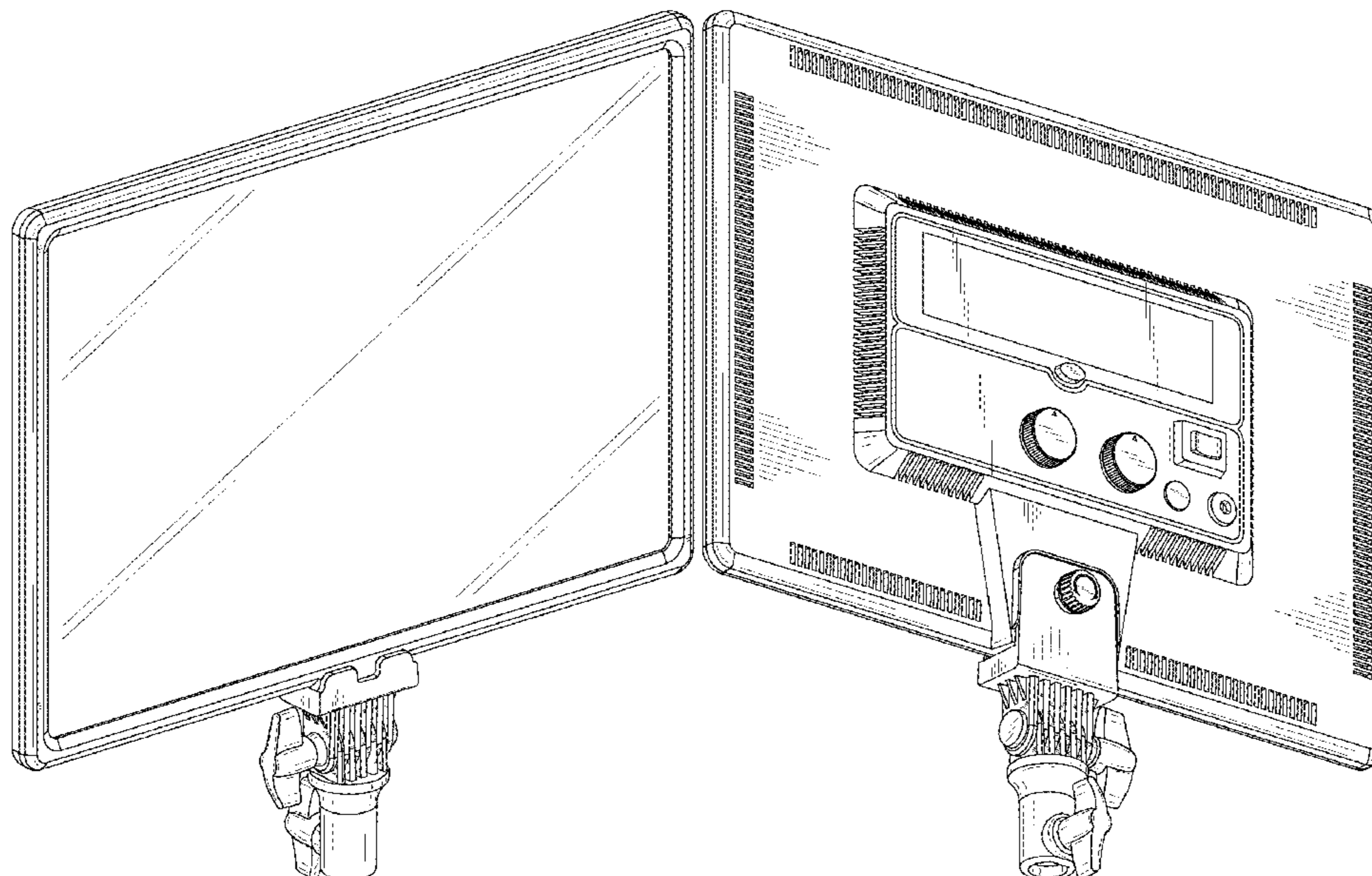
(57) **CLAIM**

The ornamental design for a fill-in lamp for photography, as shown and described.

DESCRIPTION

FIG. 1 is a front elevational view of a fill-in lamp for photography showing our new design; FIG. 2 is a rear elevational view thereof; FIG. 3 is a left side view thereof; FIG. 4 is a right side view thereof; FIG. 5 is a top plan view thereof; FIG. 6 is a bottom plan view thereof; FIG. 7 is a front, top and left side perspective view thereof; and, FIG. 8 is a rear, bottom and right side perspective view thereof. The oblique shade lines in the drawings represent reflective surfaces.

1 Claim, 6 Drawing Sheets



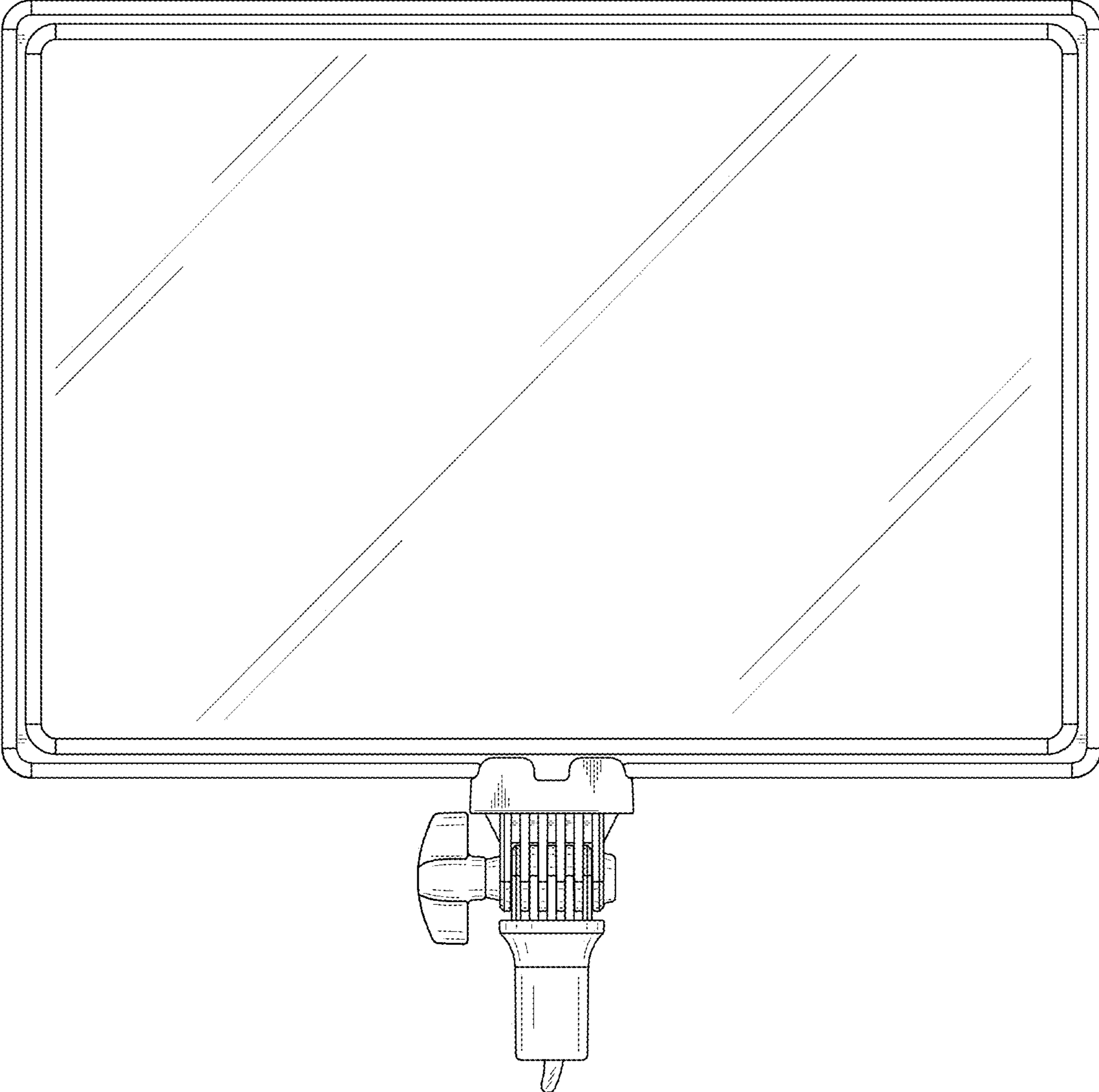


FIG.1

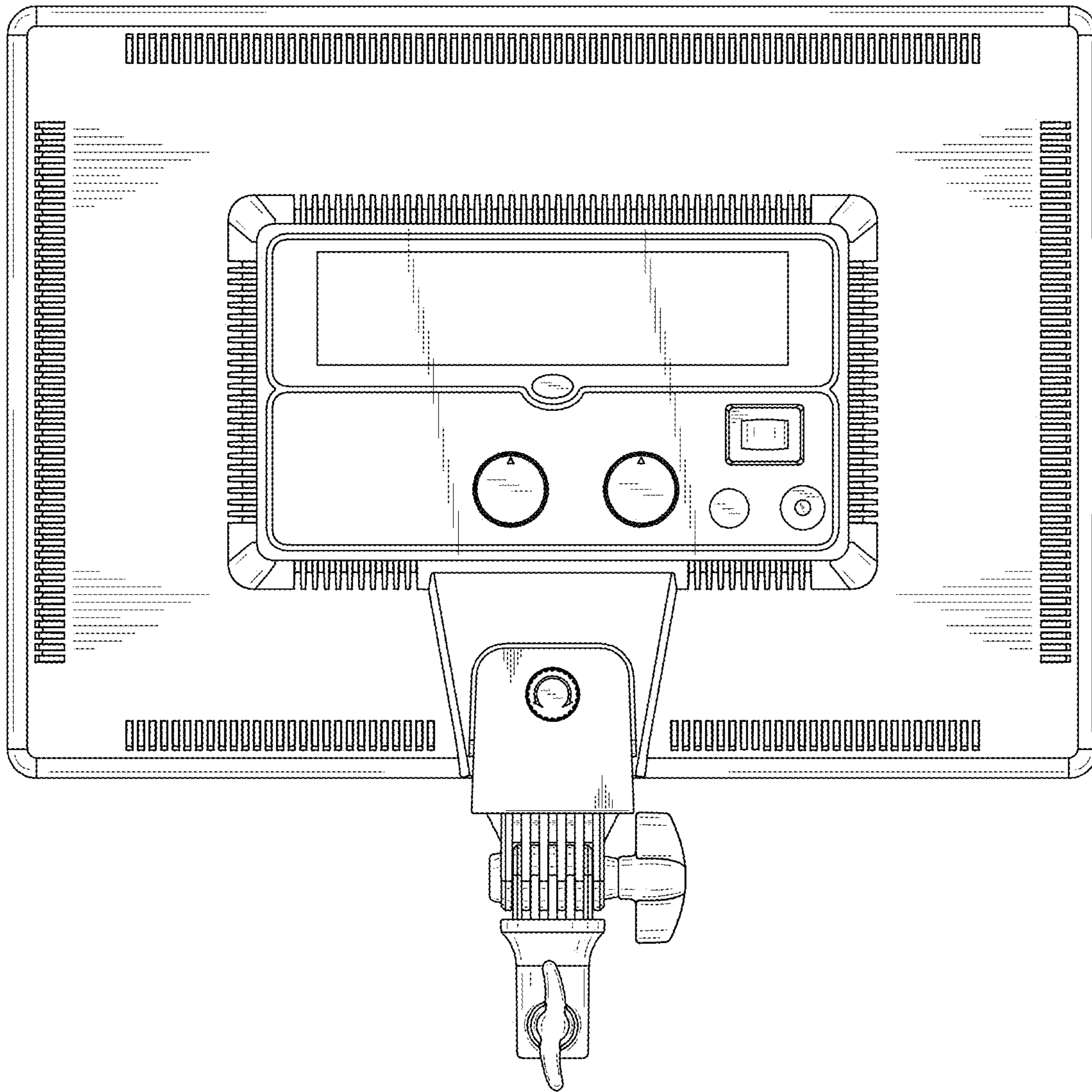


FIG.2

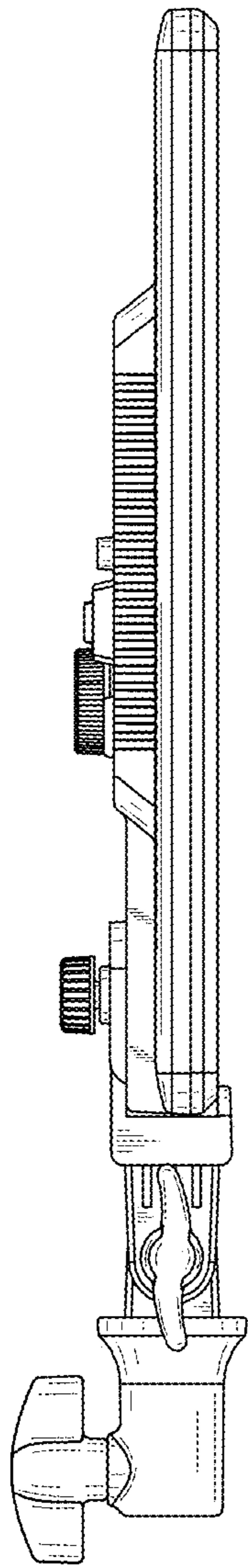


FIG.3

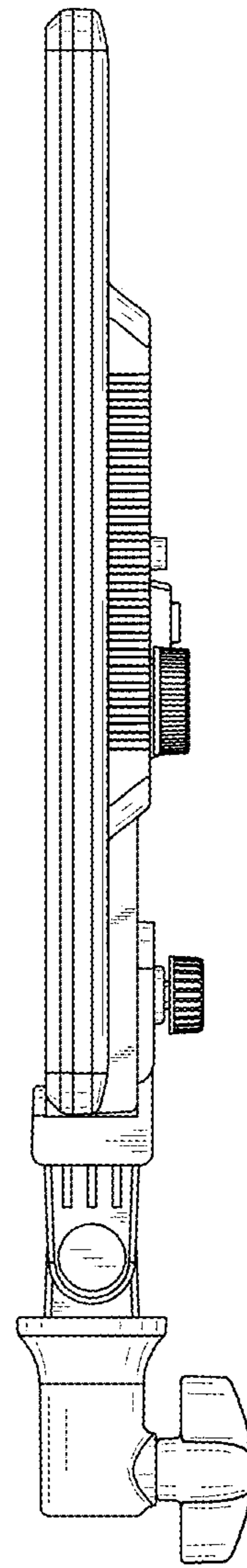


FIG.4

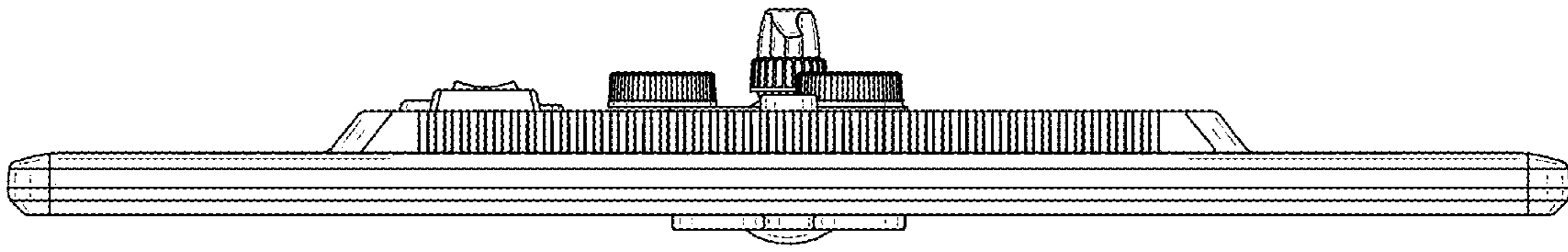


FIG. 5

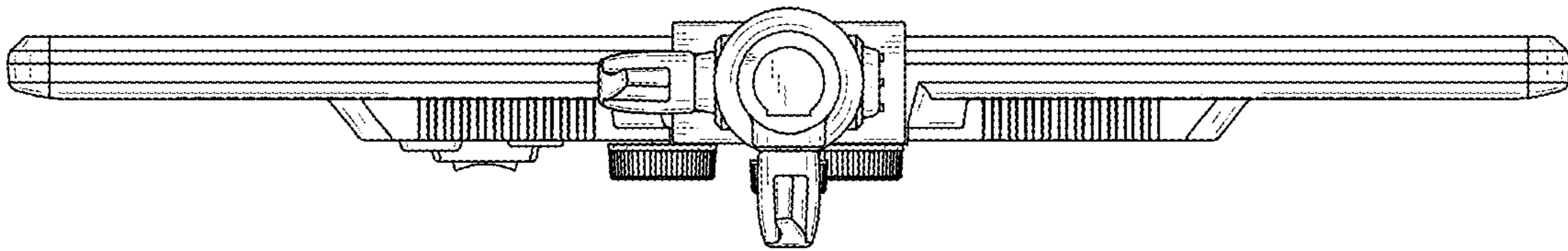


FIG. 6

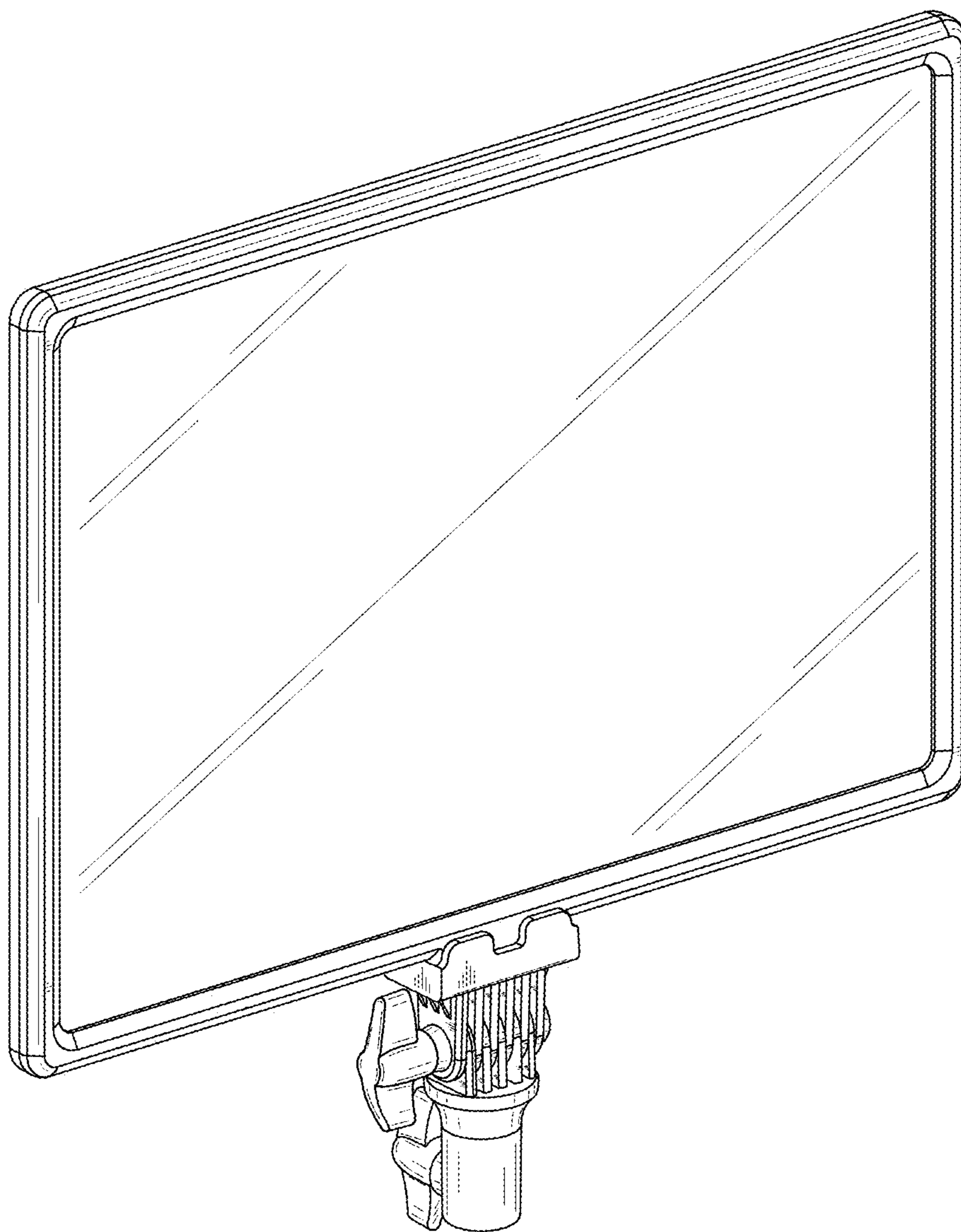


FIG.7

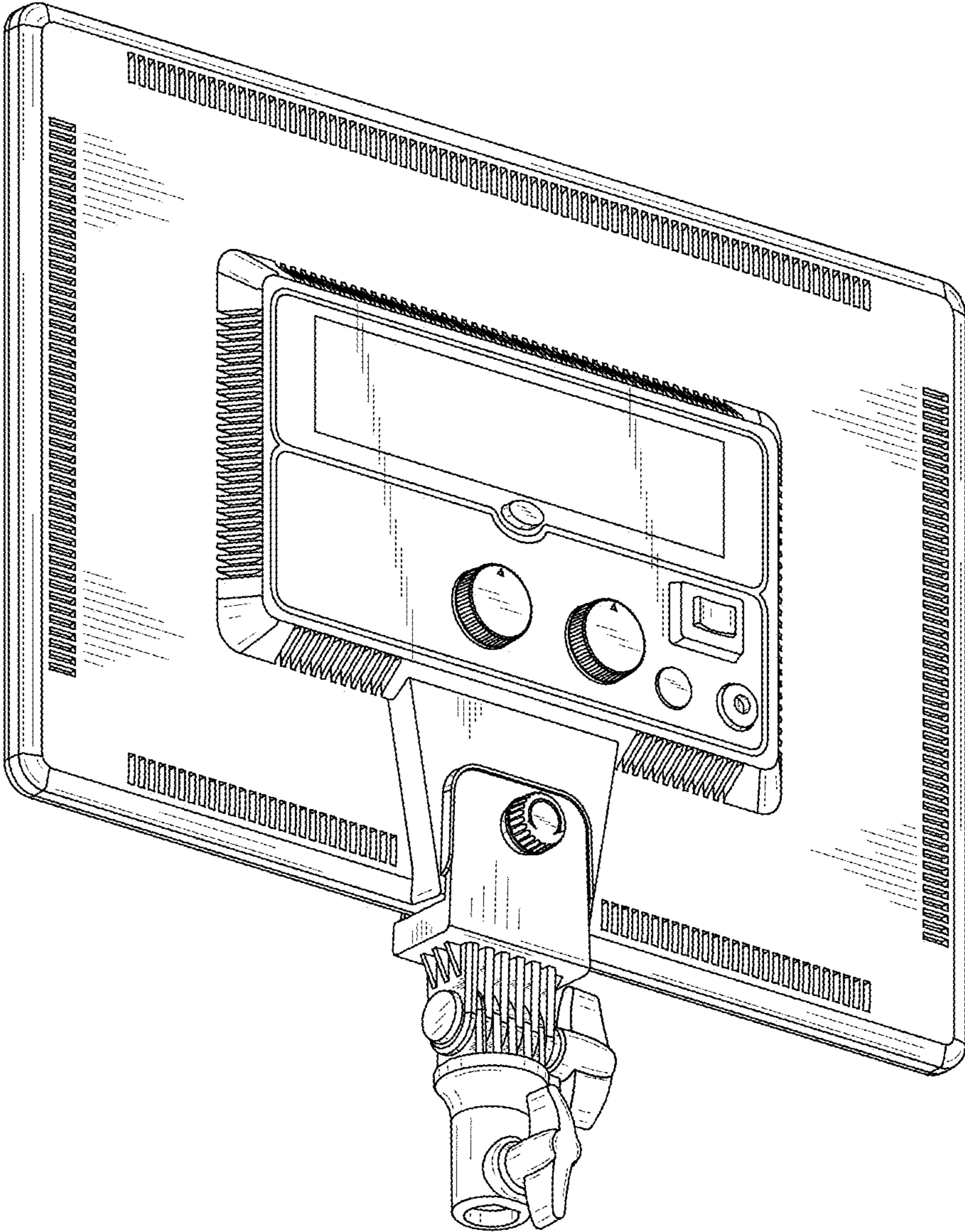


FIG.8