



US00D969196S

(12) **United States Design Patent**  
**Hua**

(10) **Patent No.:** **US D969,196 S**  
(45) **Date of Patent:** **\*\* Nov. 8, 2022**

(54) **TRAIL CAMERA**

(71) Applicant: **Shenzhen Jinglingti zhinengjiaju Product Co., Ltd., Shenzhen (CN)**

(72) Inventor: **Chunxuan Hua, Shenzhen (CN)**

(\*\*) Term: **15 Years**

(21) Appl. No.: **29/843,889**

(22) Filed: **Jun. 24, 2022**

(51) **LOC (13) Cl.** ..... **16-01**

(52) **U.S. Cl.**

USPC ..... **D16/203**

(58) **Field of Classification Search**

USPC ..... D16/200, 202–206, 218, 219, 242;  
348/143, 148, 151, 155, 164, 373–376;  
396/419, 427, 535, 539–541

CPC ..... G03B 17/02; G03B 19/04; G03B 17/56;  
G03B 17/04; G03B 15/03; H04N 5/2251;  
H04N 5/2252; H04N 5/2253; H04N  
5/2254; F16M 11/04

See application file for complete search history.

(56) **References Cited**

**U.S. PATENT DOCUMENTS**

D616,009 S	5/2010	Schnell	
D630,236 S	1/2011	Lian	
D820,338 S	6/2018	Wu	
D828,427 S *	9/2018	Wu	D16/203
D875,807 S	2/2020	Luo	
D884,049 S	5/2020	Wang	
D888,125 S *	6/2020	Wang	D16/203

D918,986 S *	5/2021	Yu	D16/218
D920,416 S *	5/2021	Jiang	D16/203
D928,215 S *	8/2021	Jiang	D16/203
D928,216 S *	8/2021	Jiang	D16/203
D928,217 S *	8/2021	Jiang	D16/203
D932,535 S *	10/2021	Yu	D16/203
D933,733 S	10/2021	Yu	
D939,008 S	12/2021	Jiang	
D956,849 S *	7/2022	Yu	D16/203
D957,502 S *	7/2022	Jiang	D16/203
D958,867 S *	7/2022	Jiang	D16/203

\* cited by examiner

*Primary Examiner* — Ramzi Almatrahi

(74) *Attorney, Agent, or Firm* — Xiaofang Zhong; Law Office of Xiaofang Zhong, PLLC

(57) **CLAIM**

The ornamental design for a trail camera, as shown and described.

**DESCRIPTION**

FIG. 1 is a top, front and right side perspective view of a trail camera showing my new design;

FIG. 2 is a bottom, rear and left side perspective view thereof;

FIG. 3 is a front elevational view thereof;

FIG. 4 is a rear elevational view thereof;

FIG. 5 is a left side elevational view thereof;

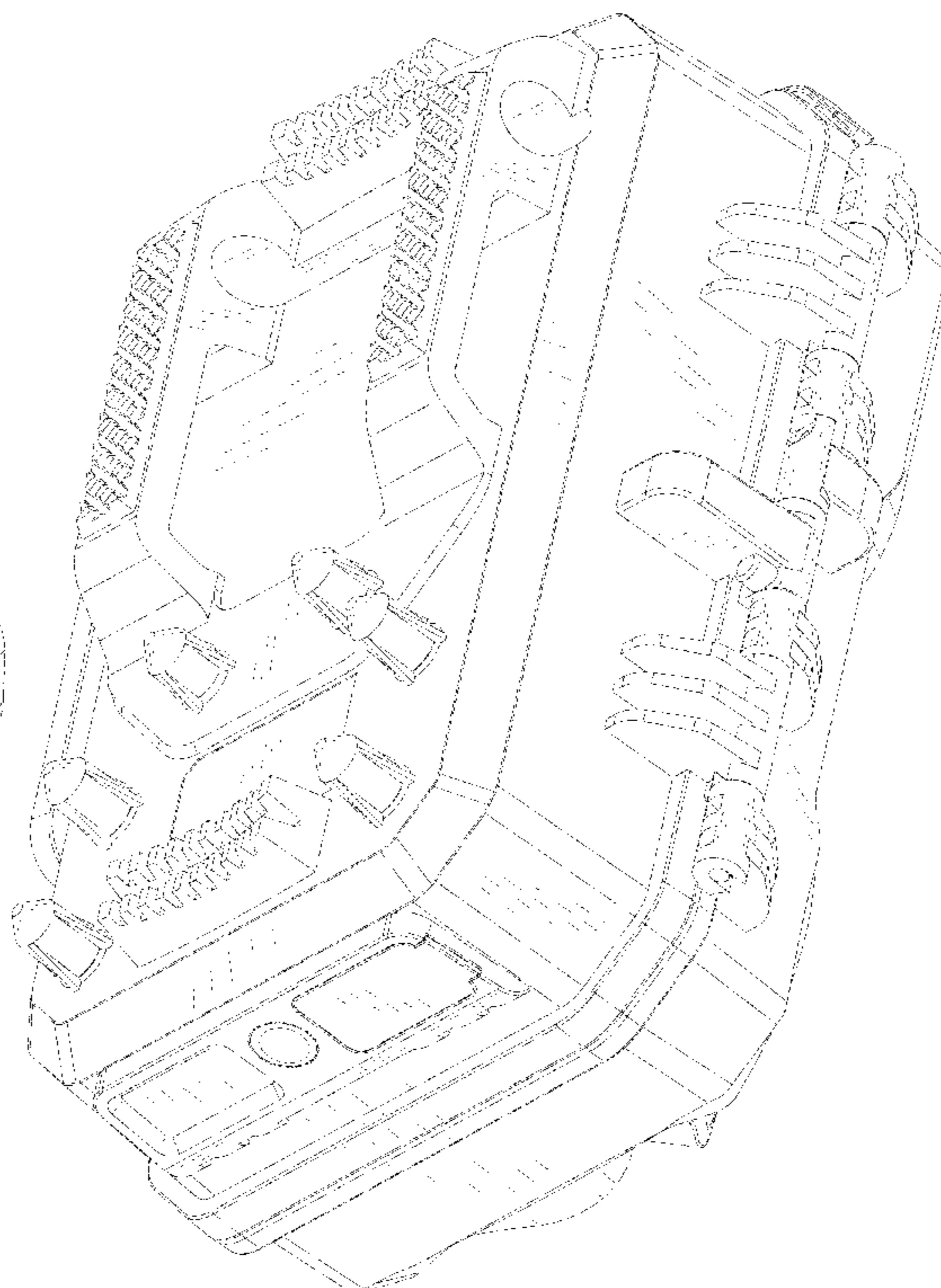
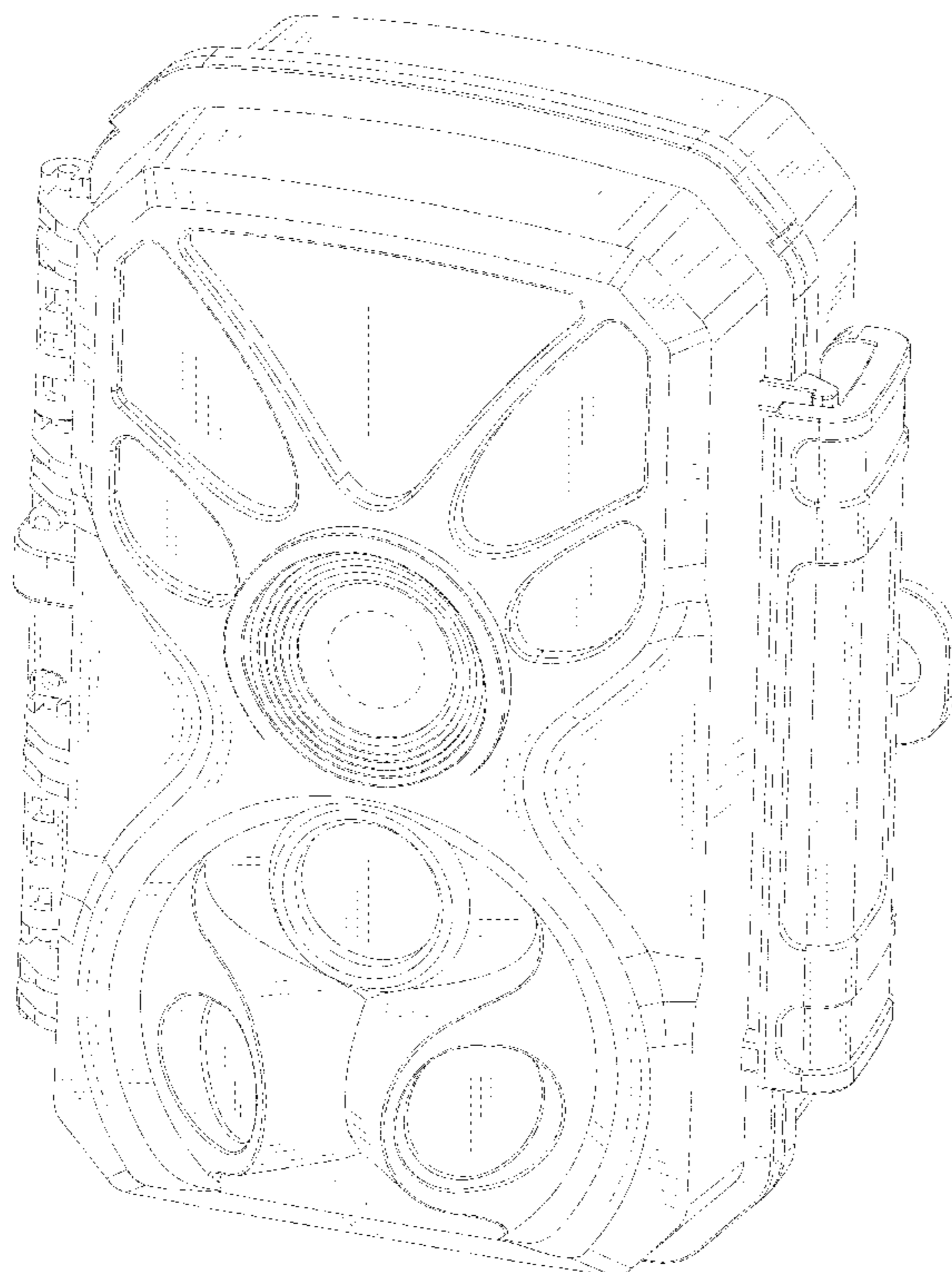
FIG. 6 is a right side elevational view thereof;

FIG. 7 is a top plan view thereof; and,

FIG. 8 is a bottom plan view thereof.

The broken lines illustrate portions of the trail camera that form no part of the claimed design.

**1 Claim, 8 Drawing Sheets**



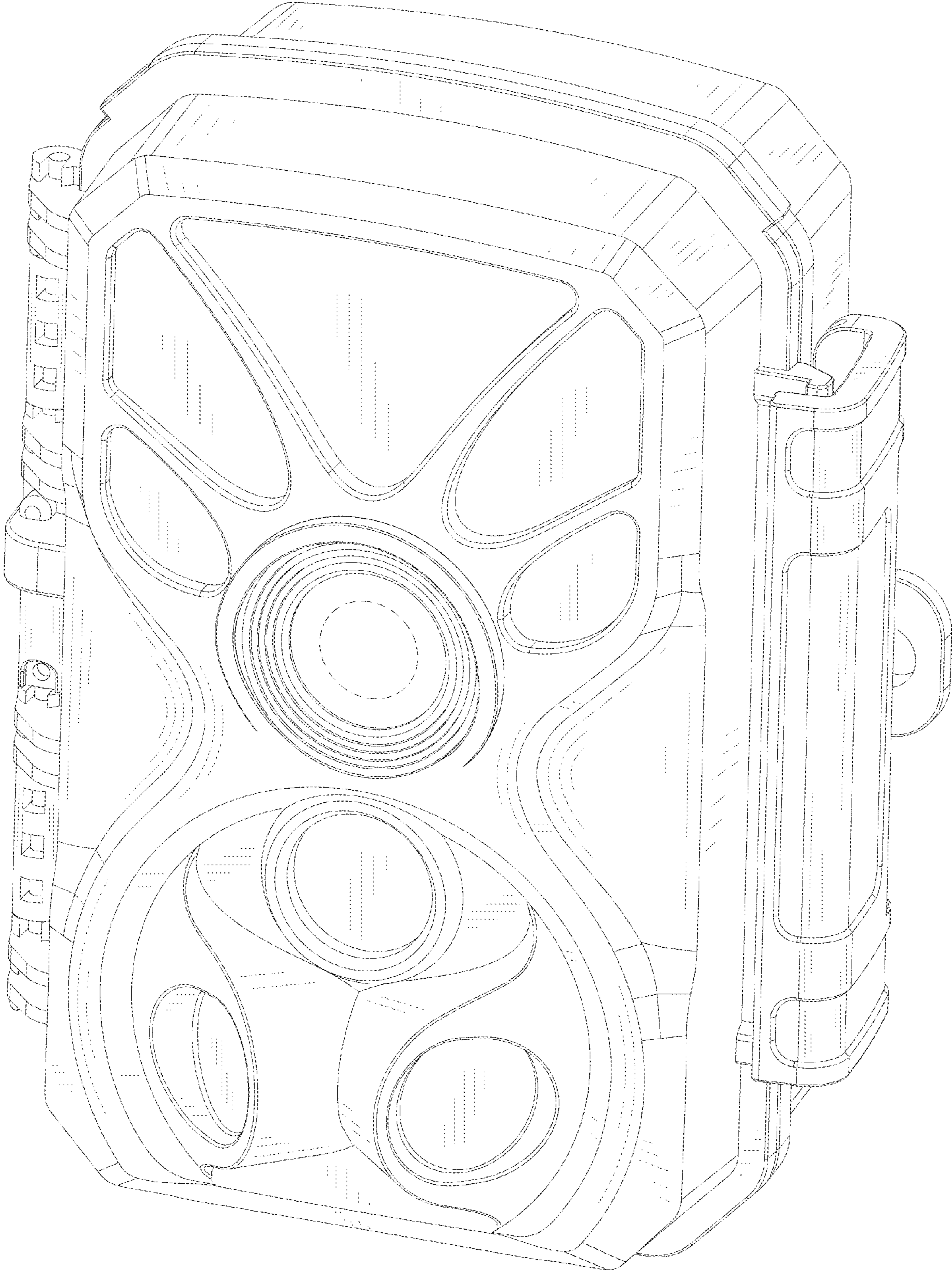


FIG.1

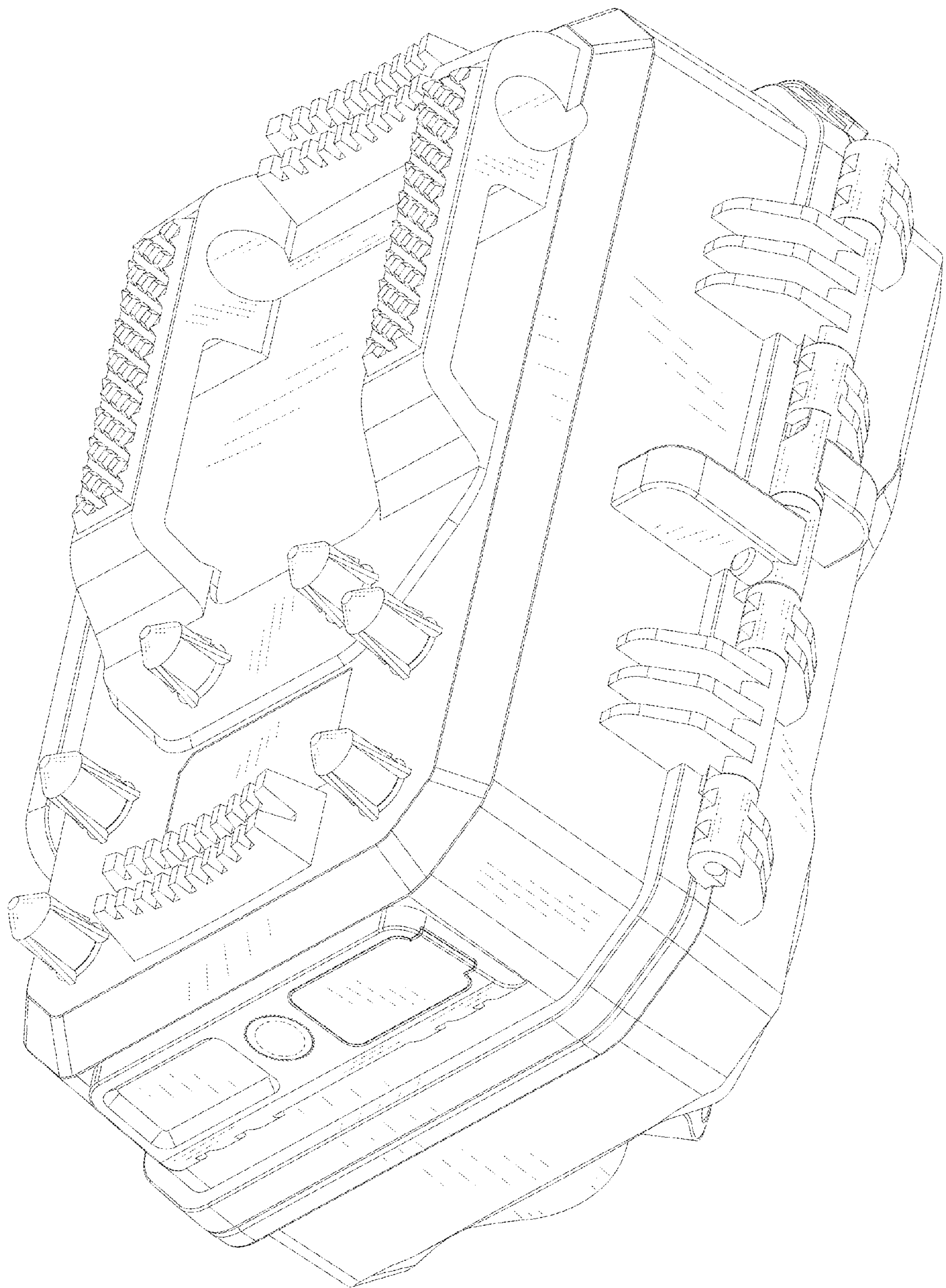


FIG. 2

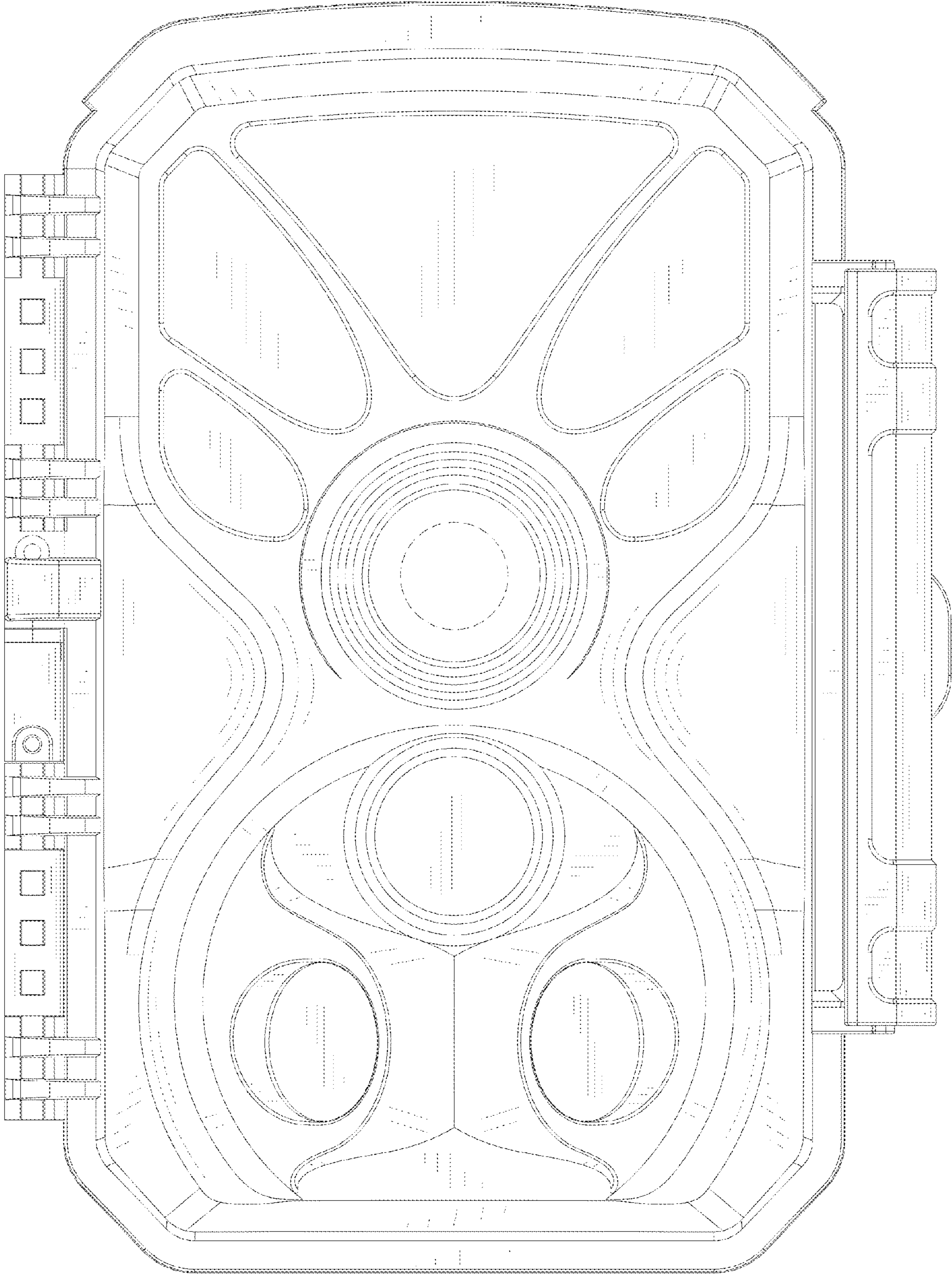


FIG. 3

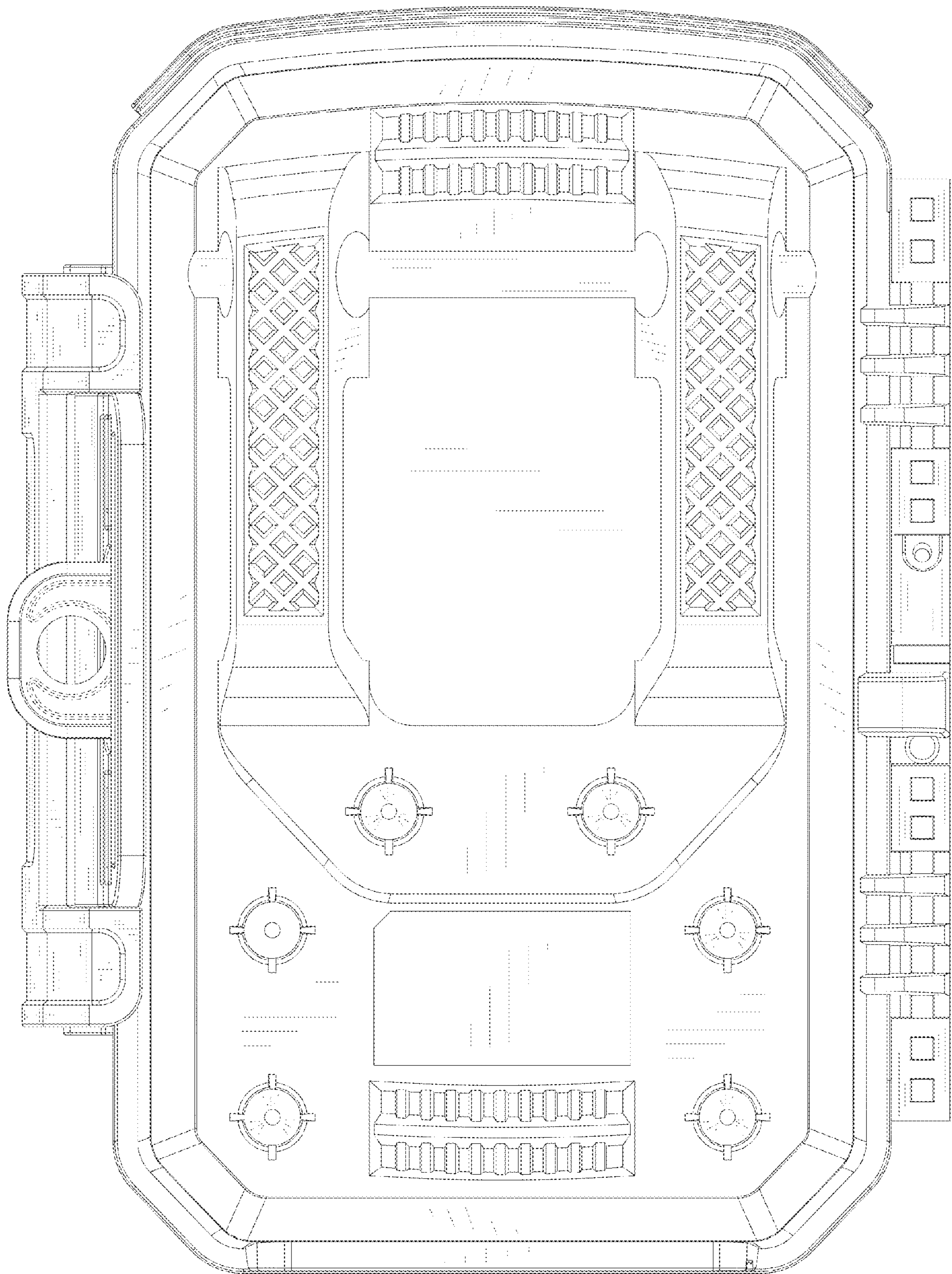


FIG.4

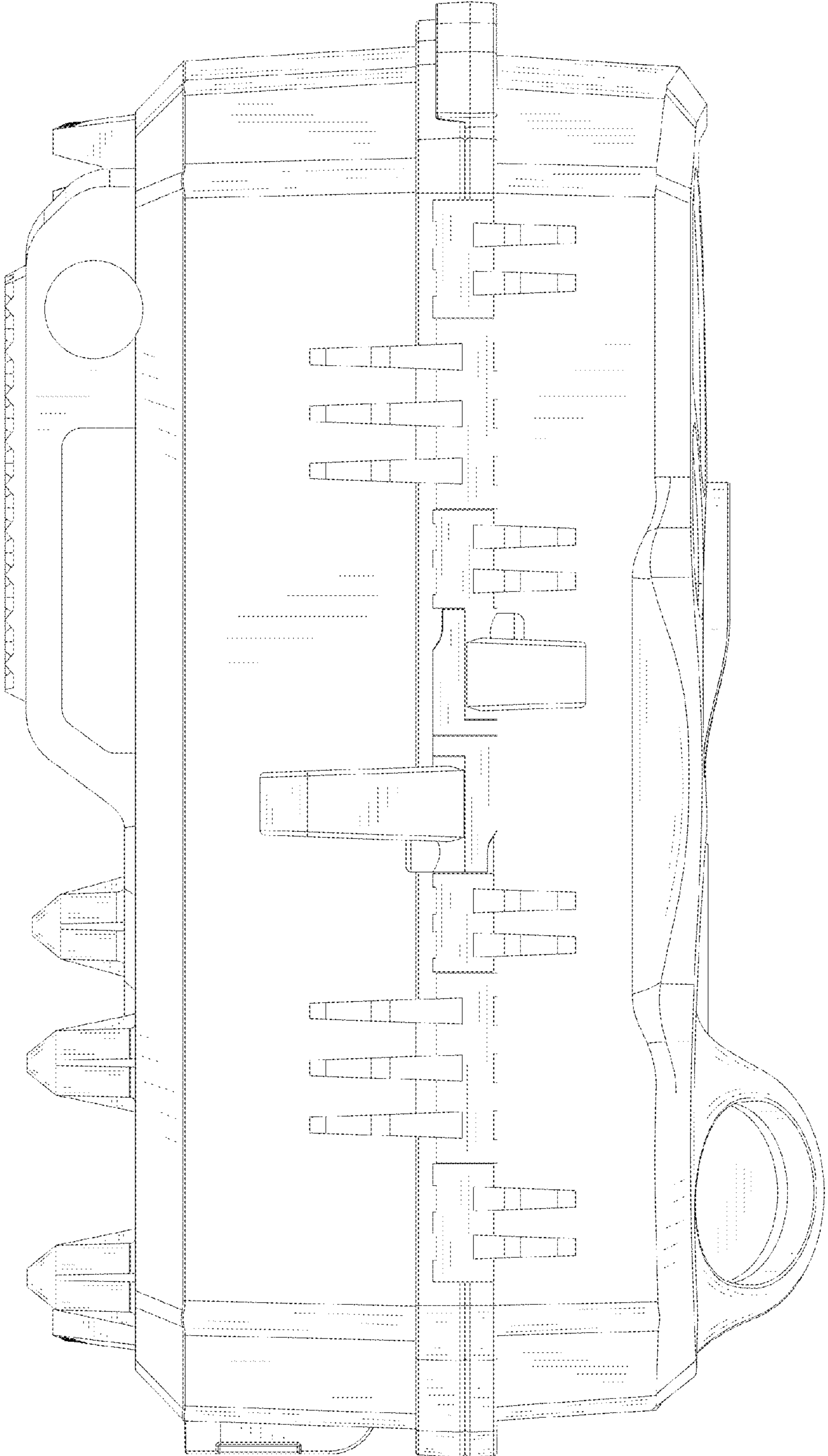


FIG. 5

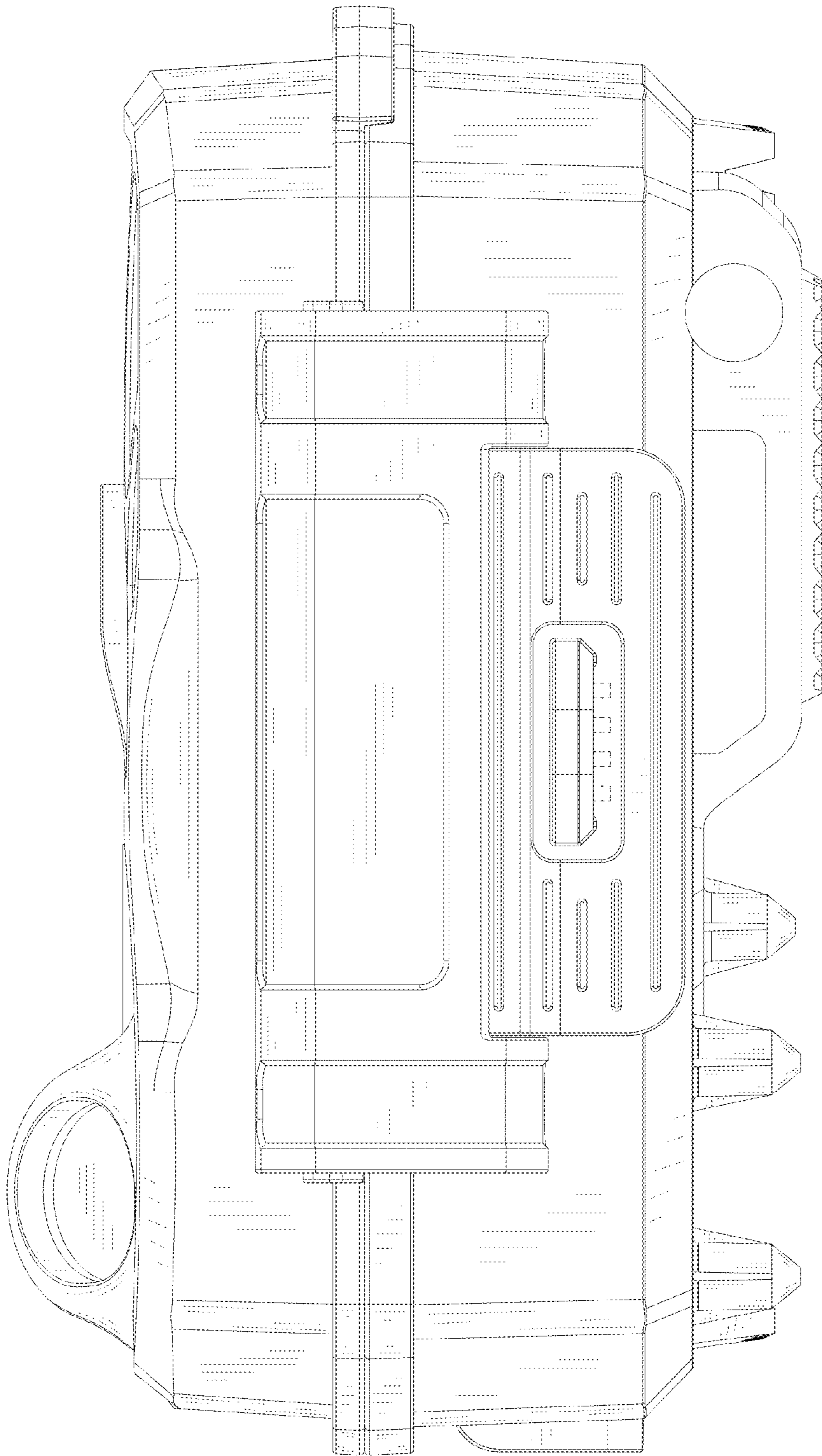


FIG. 6

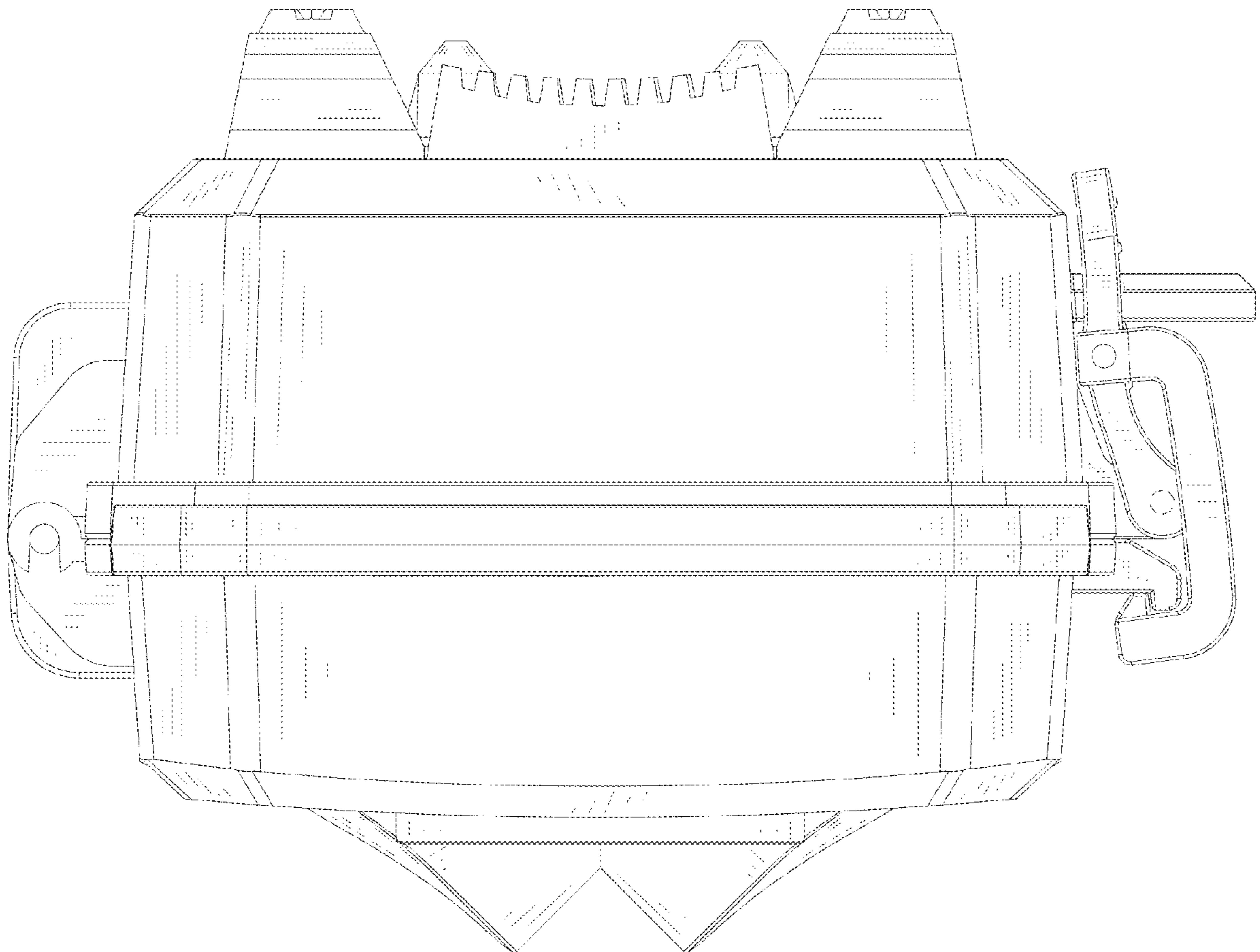


FIG. 7



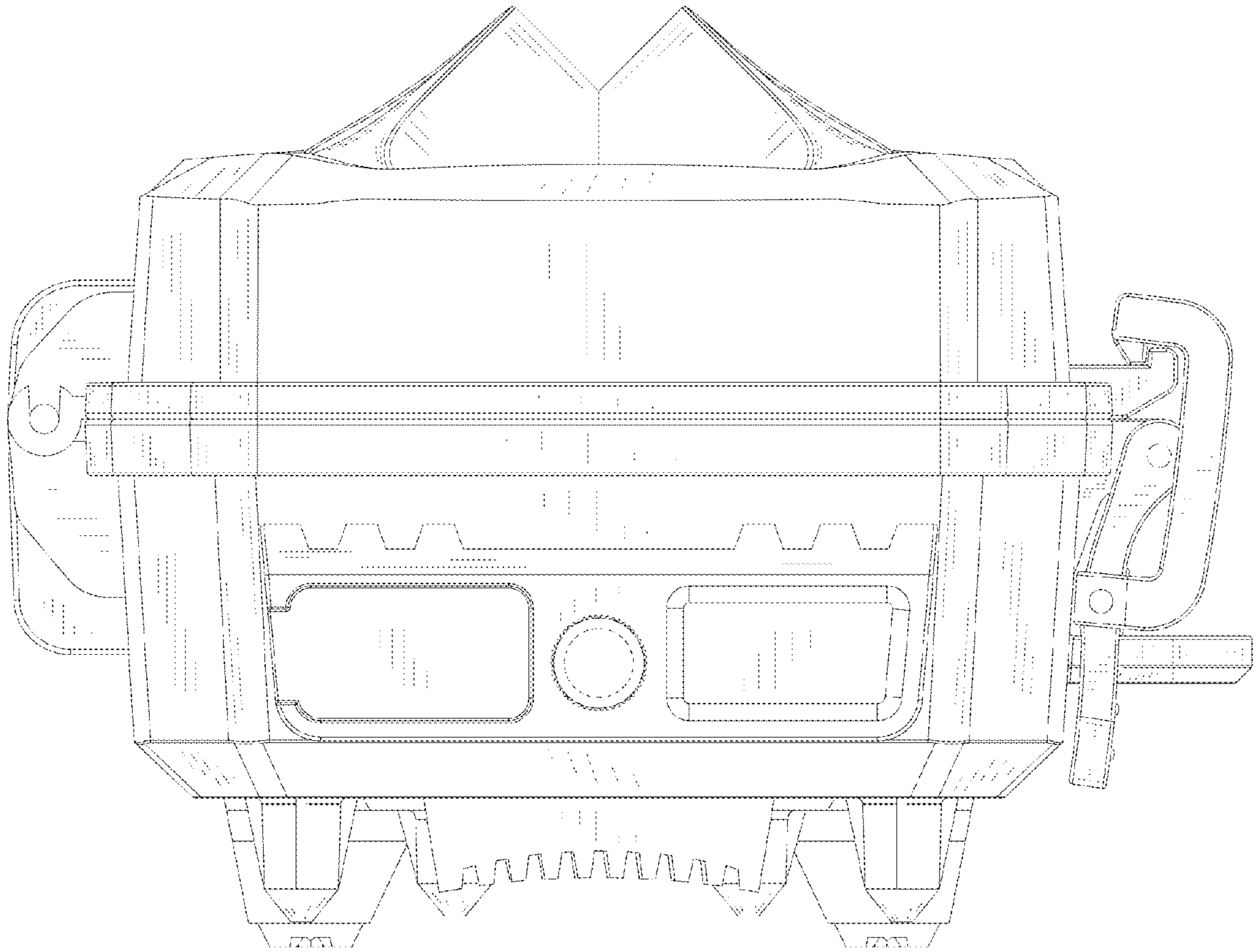


FIG.8