

US00D969195S

(12) **United States Design Patent** (10) **Patent No.:** **US D969,195 S**
Chen (45) **Date of Patent:** **** Nov. 8, 2022**

(54) **HIDDEN CAMERA**
(71) Applicant: **Yanxuan Chen**, Puning (CN)
(72) Inventor: **Yanxuan Chen**, Puning (CN)
(**) Term: **15 Years**

(21) Appl. No.: **29/808,785**
(22) Filed: **Sep. 22, 2021**
(51) **LOC (13) Cl.** **16-01**
(52) **U.S. Cl.**
USPC **D16/203**
(58) **Field of Classification Search**
USPC D16/200–203, 208–214; D10/46, 50, 52,
D10/104.1, 106.6; D14/125, 203.1,
D14/203.8, 209.1, 204, 317, 474, 496,
D14/506, 510
CPC G03B 17/00; G03B 17/02; G03B 2217/00;
H04N 5/2251; H04N 5/2252; H04N
5/225
See application file for complete search history.

(56) **References Cited**

U.S. PATENT DOCUMENTS

D730,423 S *	5/2015	Vandenbussche	D16/218
D745,589 S *	12/2015	Lee	D16/218
D750,687 S *	3/2016	Samuels	H04N 5/2252
				D16/218
D781,813 S *	3/2017	Pignotti	D14/204
D788,208 S *	5/2017	Muhlenkamp, IV	D16/242
D800,816 S *	10/2017	Fujita	D16/202
D813,191 S *	3/2018	Pignotti	D14/204
D815,172 S *	4/2018	Noh	D16/202
D833,503 S *	11/2018	Hollinger	D16/210
D833,507 S *	11/2018	Xie	D16/218
D834,634 S *	11/2018	Huang	D16/210
D837,864 S *	1/2019	Ge	D16/218
D838,305 S *	1/2019	Chang	D16/203
D849,100 S *	5/2019	Hsu	D16/210
D849,110 S *	5/2019	Khubani	D16/218

D850,511 S *	6/2019	Matsumoto	D16/218
D858,602 S *	9/2019	Fung	D16/202
D871,482 S	12/2019	Liao et al.		
D893,576 S *	8/2020	Kyte	D16/202

(Continued)

FOREIGN PATENT DOCUMENTS

CA	156257	*	1/2015
CN	304584101	*	4/2018
JP	D1697091	*	10/2021

OTHER PUBLICATIONS

“Mini Spy Camera WiFi 1080P Wireless Hidden Nanny Cam Home Security Baby Monitor Indoor Video Recorder with Remote Viewing Phone APP Night Vision Motion Detection” from Amazon.com, first available Jun. 23, 2021 from the internet <<https://www.amazon.com/ORHIDAM-Wireless-Security-Recorder-Detection/dp/B08NC5SK6N>> (Year: 2021).*

(Continued)

Primary Examiner — Elizabeth J Oswecki
Assistant Examiner — Lacey Chey Bowman

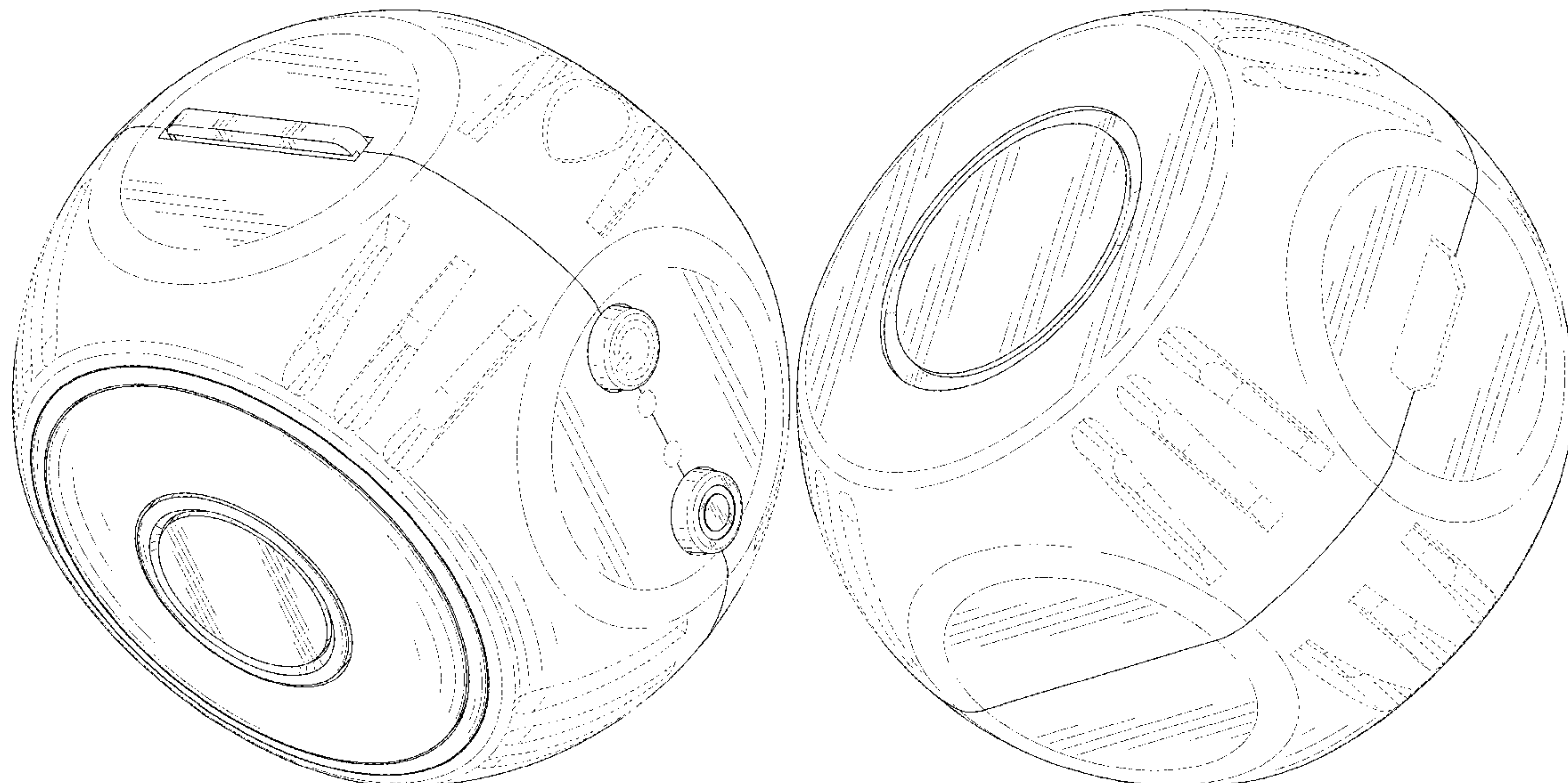
(57) **CLAIM**

The ornamental design for a hidden camera, as shown and described.

DESCRIPTION

FIG. 1 is a perspective view of a hidden camera showing my new design;
FIG. 2 is another perspective view thereof;
FIG. 3 is a front elevational view thereof;
FIG. 4 is a rear elevational view thereof;
FIG. 5 is a left side elevational view thereof;
FIG. 6 is a right side elevational view thereof;
FIG. 7 is a top plan view thereof; and,
FIG. 8 is a bottom plan view thereof.
The broken lines in the drawings depict portions of the hidden camera that form no part of the claimed design.

1 Claim, 8 Drawing Sheets



(56)

References Cited

U.S. PATENT DOCUMENTS

D917,603 S * 4/2021 O'Connor D16/218
D959,533 S * 8/2022 Nishimura D16/202

OTHER PUBLICATIONS

“Home Security Camera WiFi Wireless Cameras Indoor Cameras, Home Remote HD1080P Portable Vdeo Surveillance Camera Remote Viewing for Security with iOS” from Amazon.com, first available Aug. 22, 2022 from the internet <<https://www.amazon.com/dp/B0BBF4QCJ8/>> (Year: 2022).*

“Hidden Spy Camera Ebarsenc Mini 1080P Wireless WiFi Camera with Live Video Home Security Surveillance Cam with Motion Detection Night Vision APP Control for Indoor Outdoor Car Nanny Cam” from Amazon.com, first available Aug. 24, 2021 from the internet <https://www.amazon.com/Ebarsenc-Wireless-Security-Surveillance-Detection/dp/B09DGLSCMM?&linkCode=ll1&tag=techjury02-20&linkId=d7a0e8075403b8722f41eaab7dde8da4&language=en_US&ref_=as_li_ss_tl> (Year: 2021).*

* cited by examiner

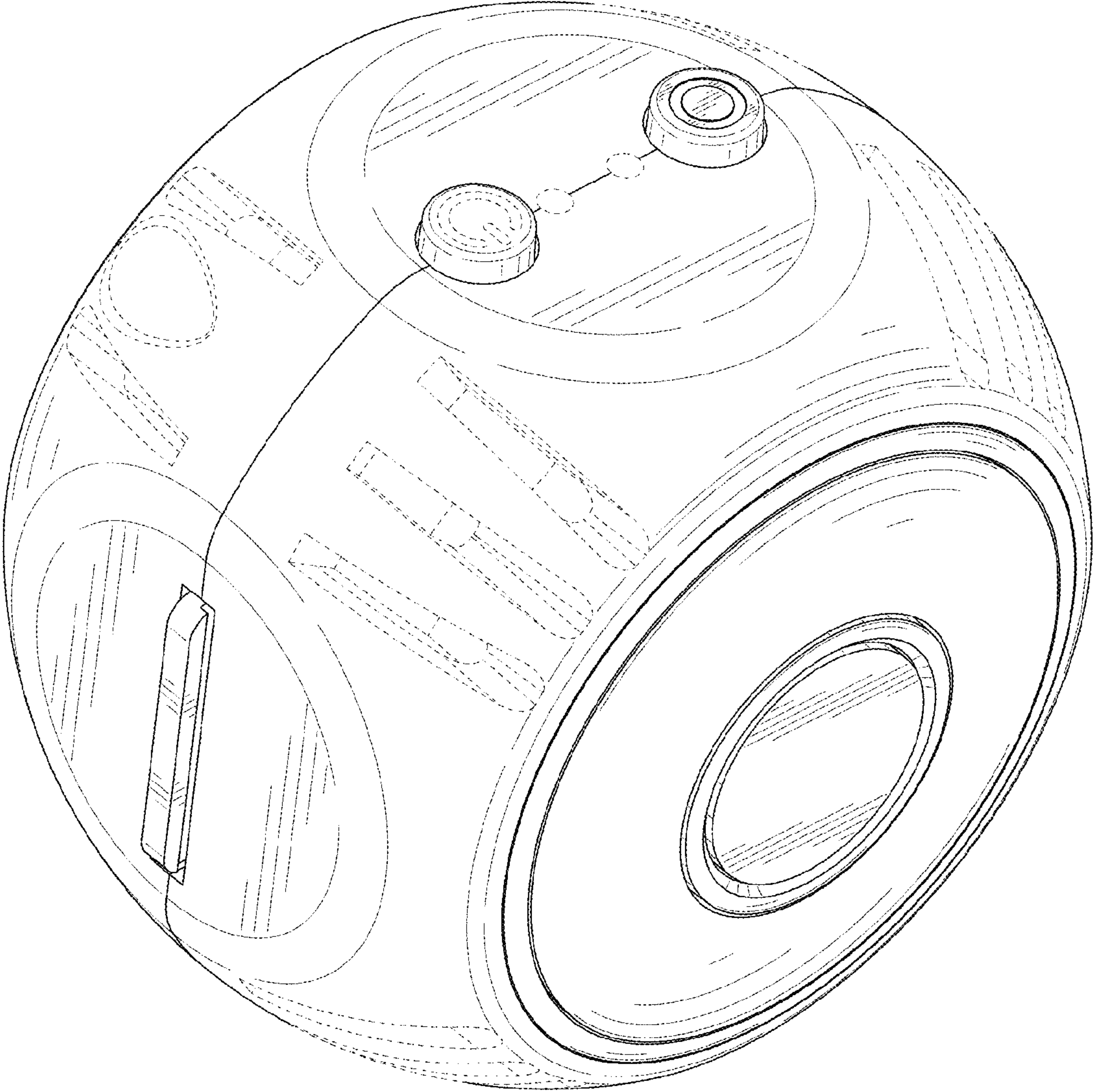


FIG. 1

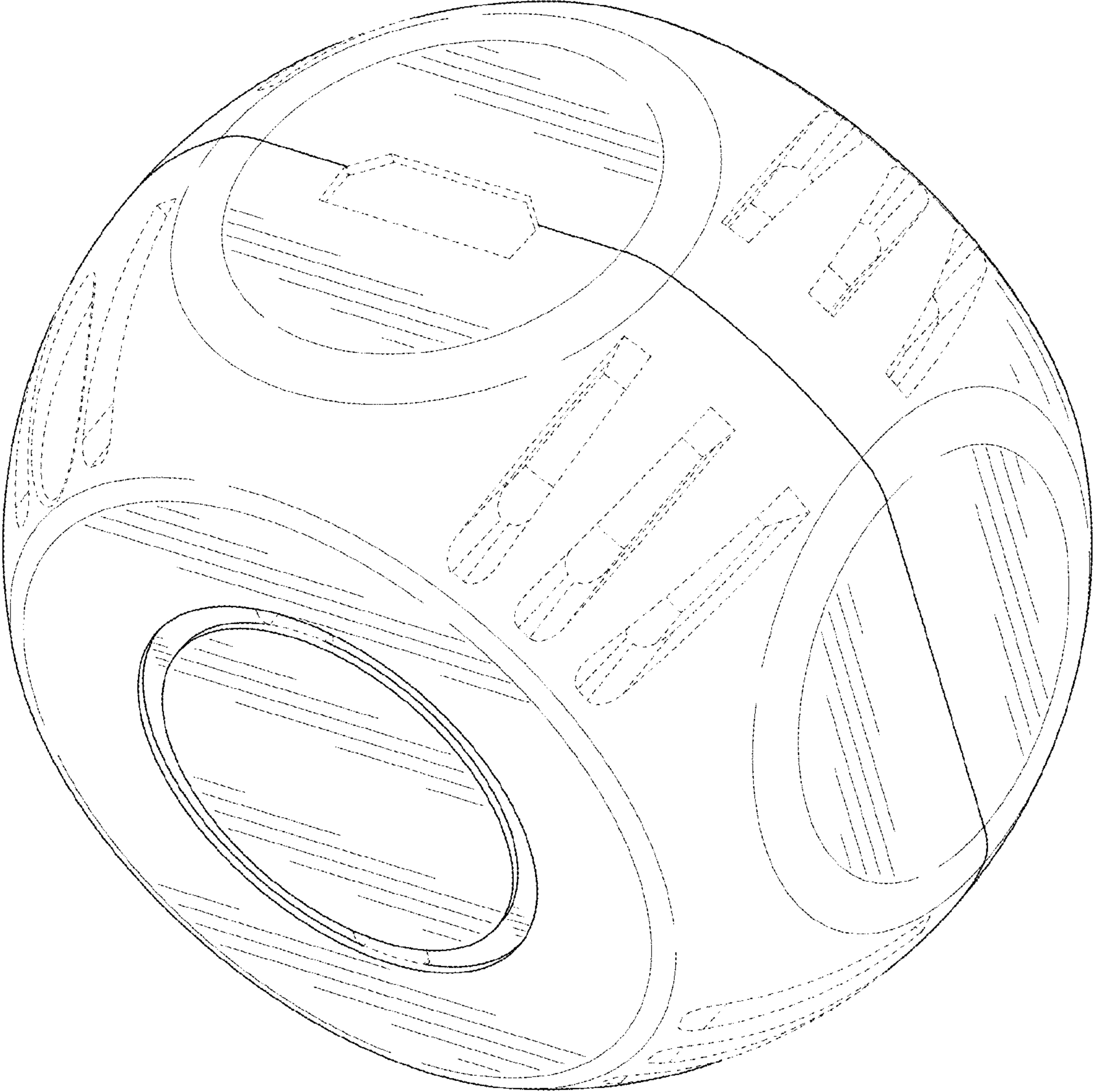


FIG. 2

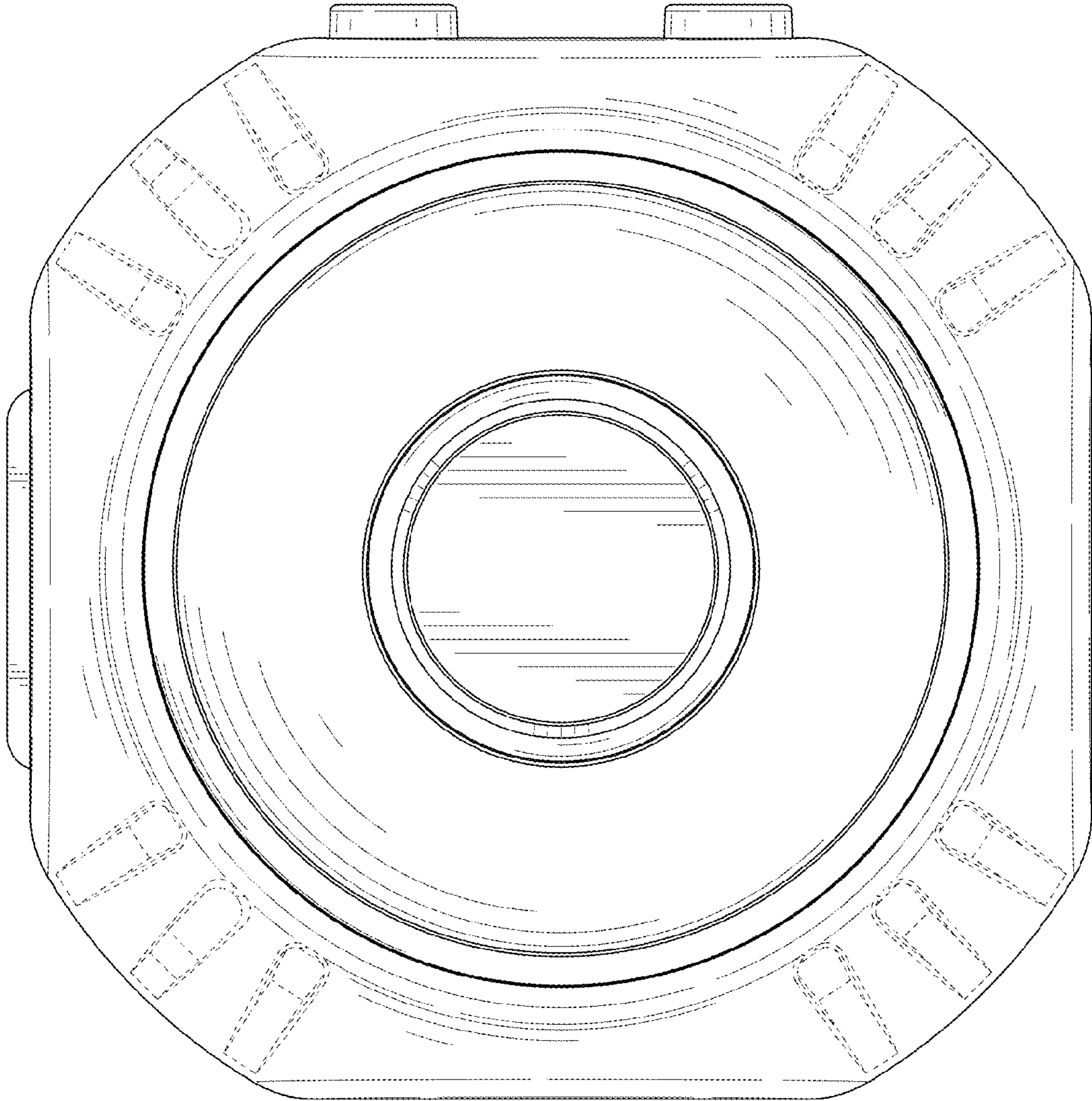


FIG. 3

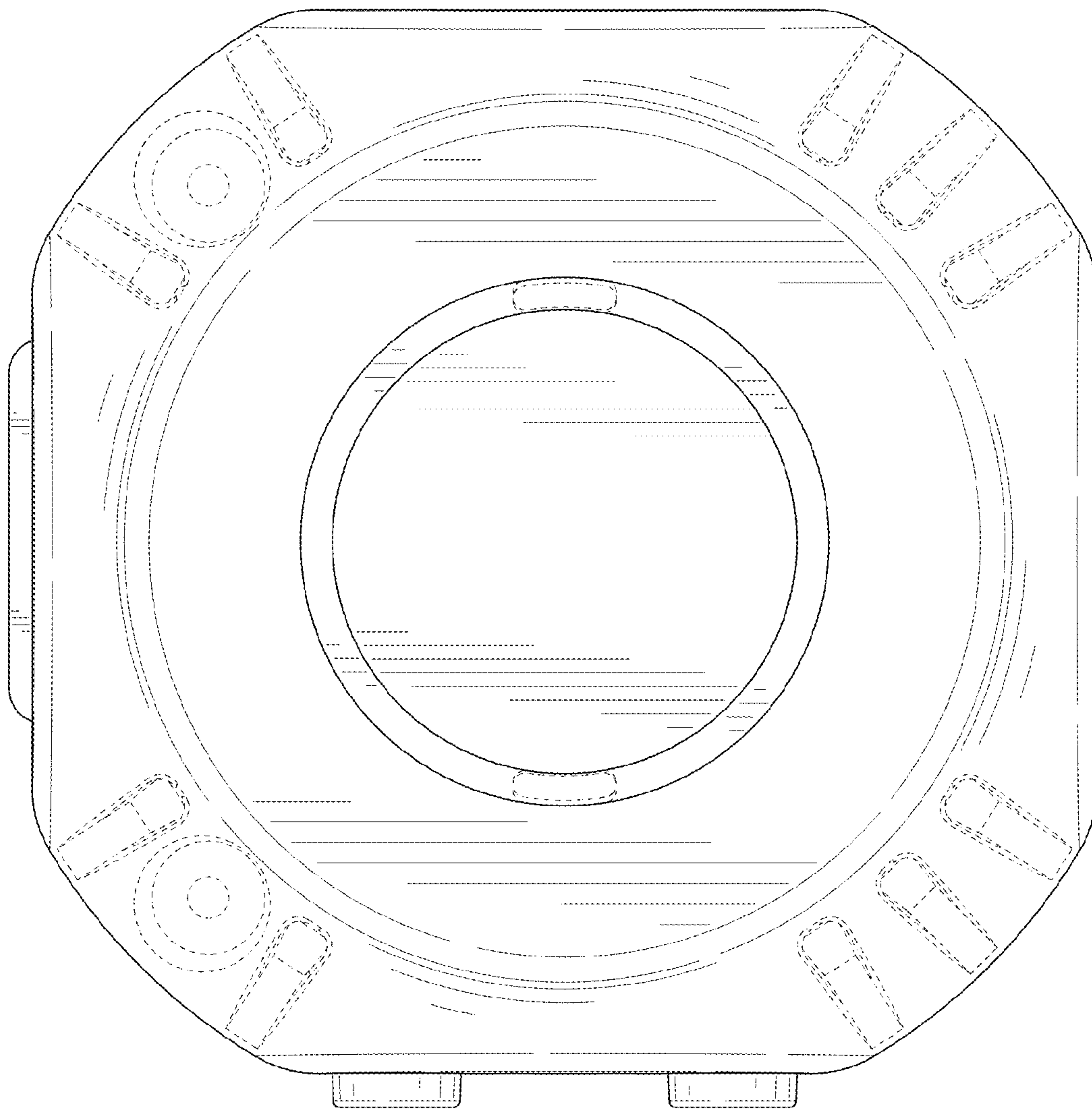


FIG. 4

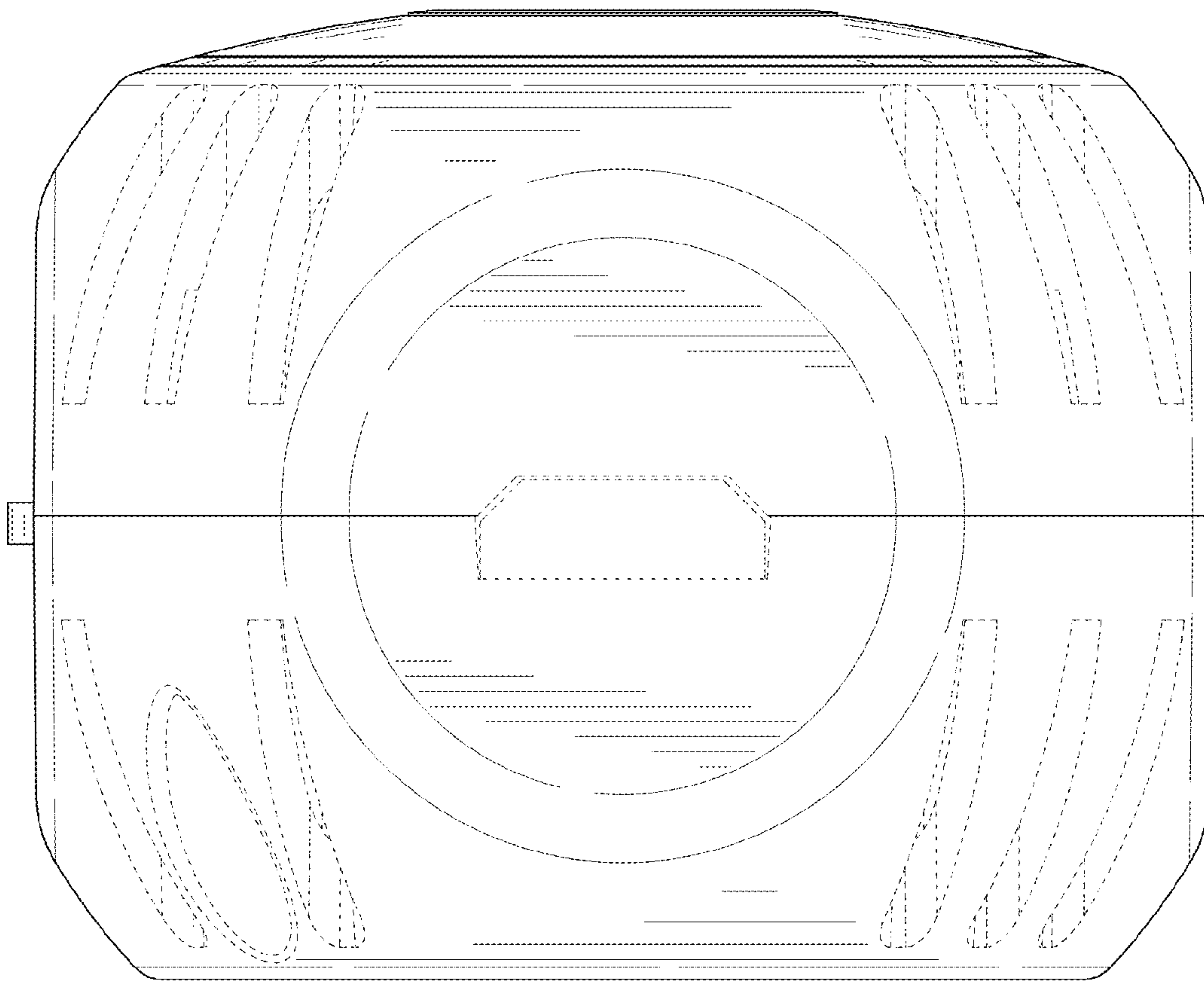


FIG. 5

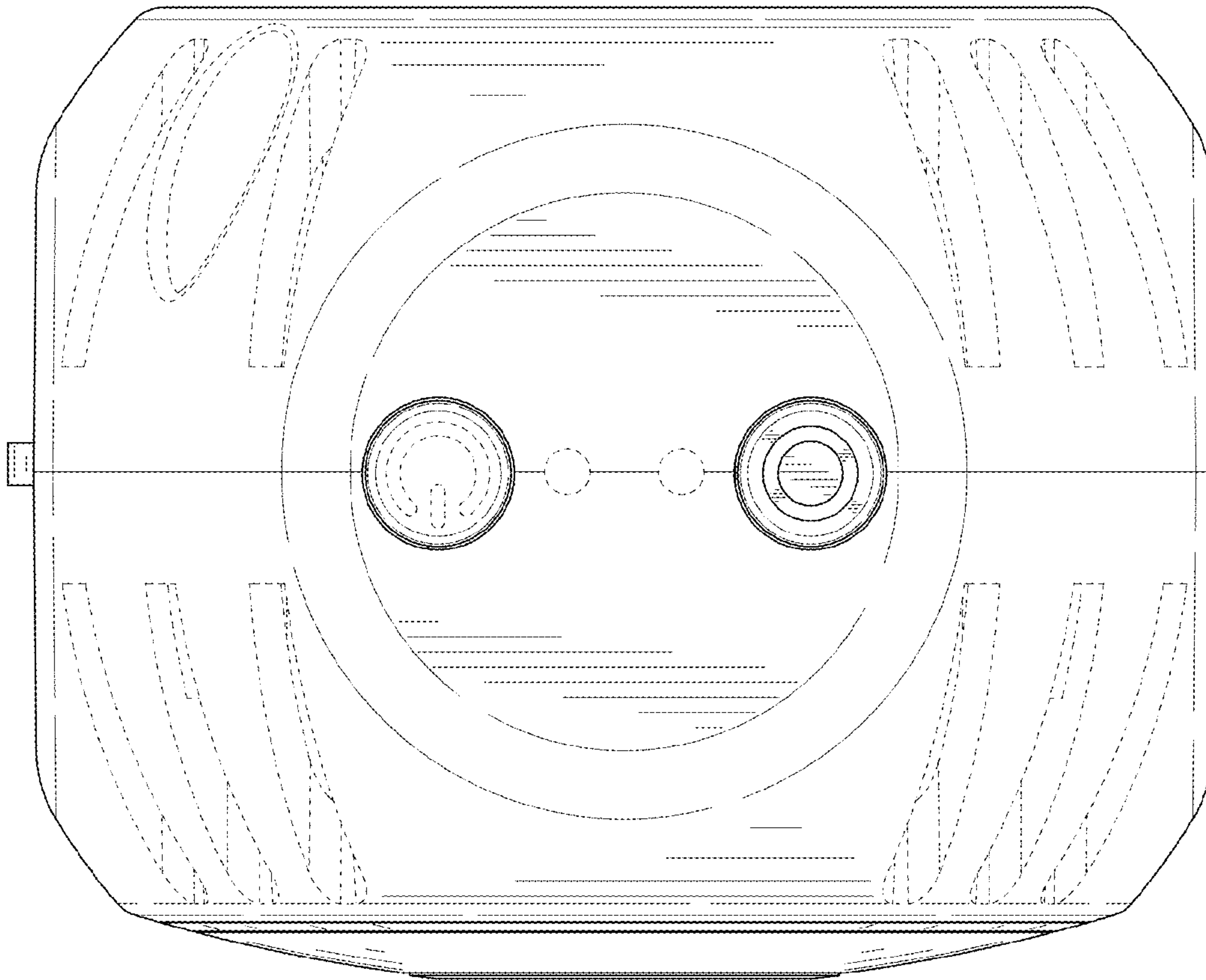


FIG. 6

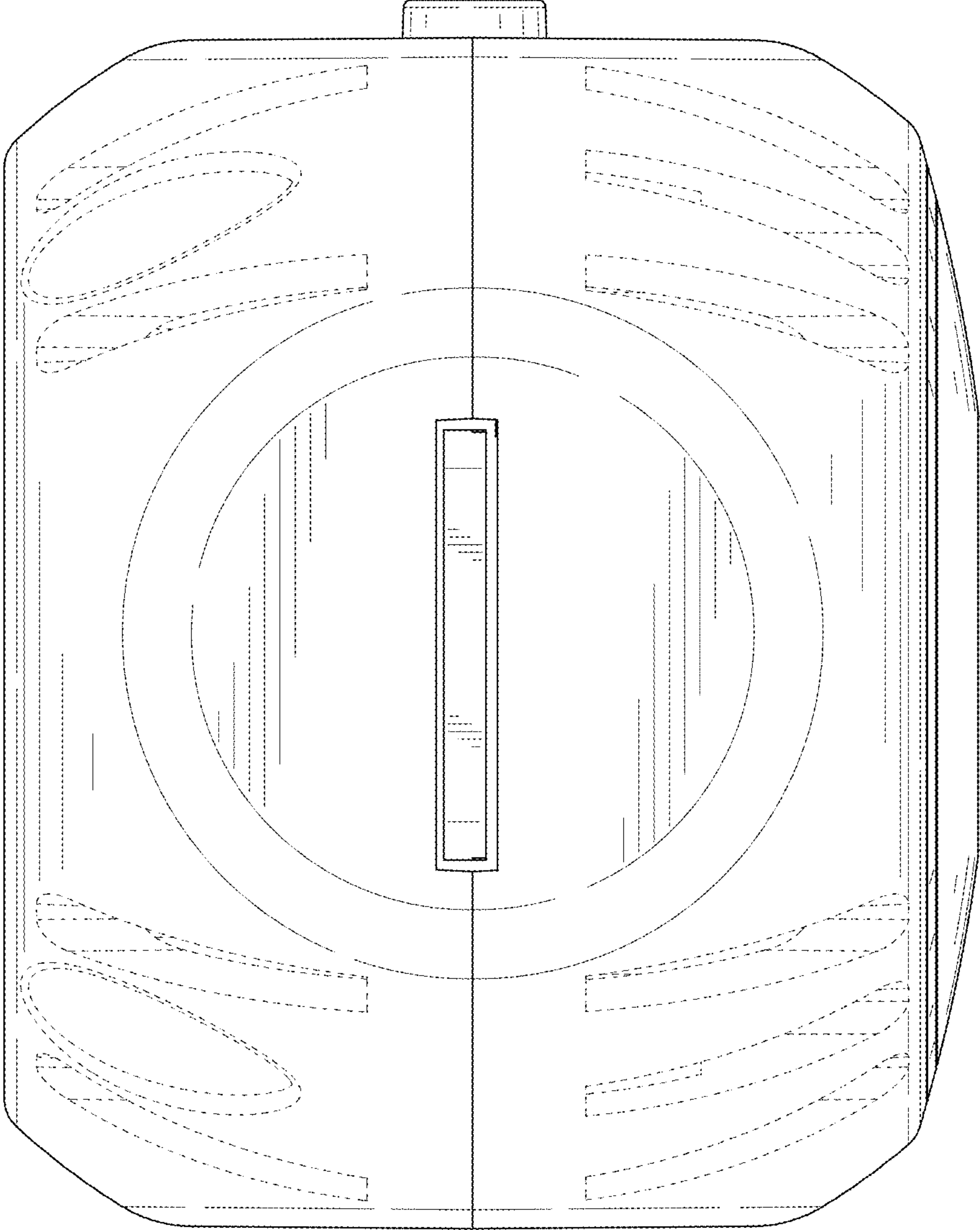


FIG. 7

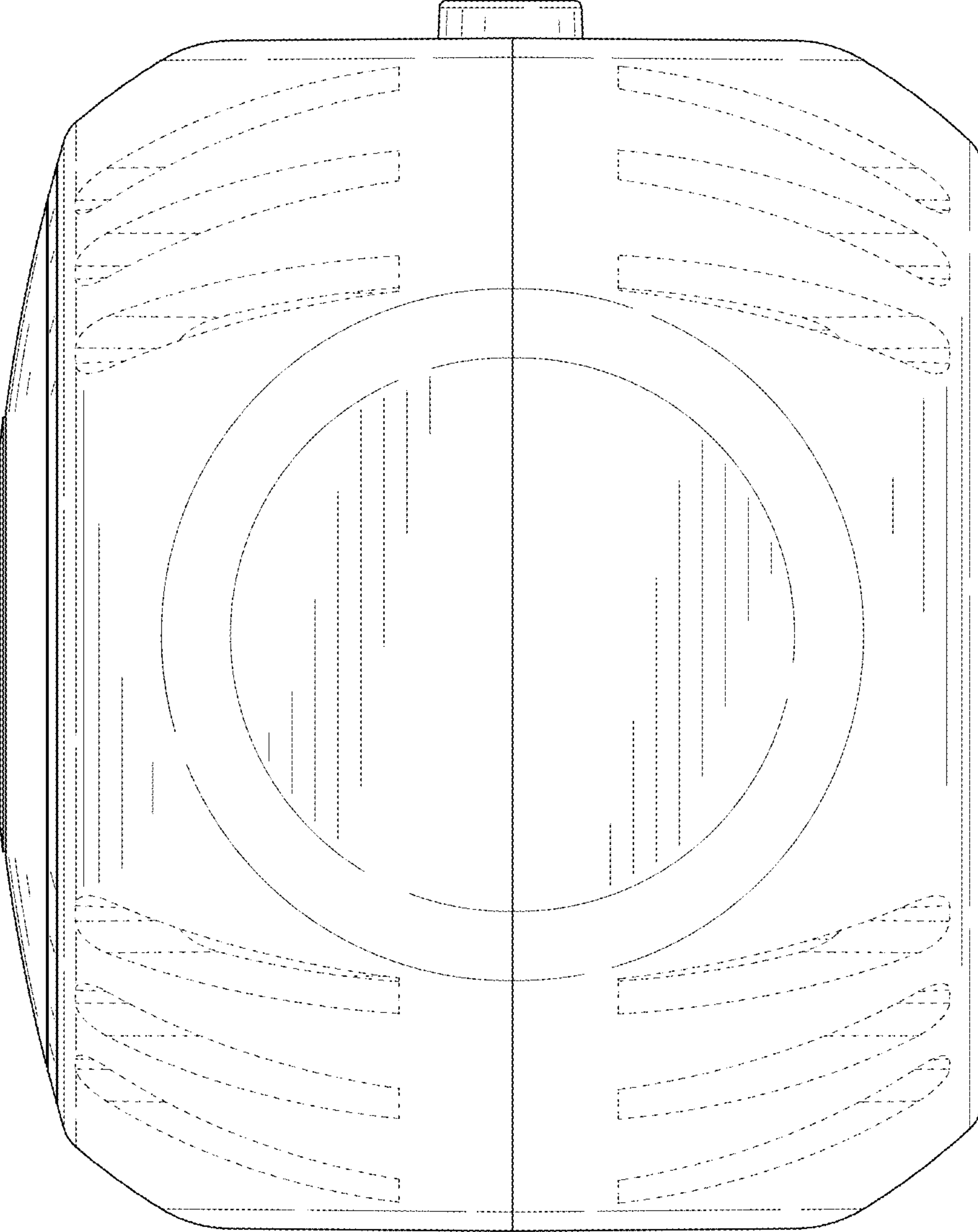


FIG. 8