



US00D969194S

(12) **United States Design Patent** (10) **Patent No.:** **US D969,194 S**  
**Cheng et al.** (45) **Date of Patent:** **\*\* Nov. 8, 2022**

(54) **CAMERA**

FOREIGN PATENT DOCUMENTS

(71) Applicants: **Chen-Hsien Cheng**, Taipei (TW);  
**Li-Fang Chen**, Taipei (TW);  
**Ruei-Hong Hong**, Taipei (TW)

CN 302943846 \* 9/2014  
CN 304045885 \* 2/2017  
CN 304951523 \* 12/2018

(Continued)

(72) Inventors: **Chen-Hsien Cheng**, Taipei (TW);  
**Li-Fang Chen**, Taipei (TW);  
**Ruei-Hong Hong**, Taipei (TW)

OTHER PUBLICATIONS

(73) Assignee: **COMPAL ELECTRONICS, INC.**,  
Taipei (TW)

Amazon, Crisis HD Webcam, earliest date available unknown,  
[online].[site visited Jun. 21, 2021]. Available from Internet,  
<URL:https://www.amazon.com/dp/B08L3VZ14T/ref=cm\_sw\_em\_  
r\_mt\_dp\_DVW6SH73XJ504E644S52> (Year: 2022).\*

(Continued)

(\*\*) Term: **15 Years**

(21) Appl. No.: **29/733,984**

*Primary Examiner* — Sanjeev Paul

(22) Filed: **May 8, 2020**

*Assistant Examiner* — Breana Copeland

(74) *Attorney, Agent, or Firm* — JCIPRNET

(30) **Foreign Application Priority Data**

Apr. 9, 2020 (TW) ..... 109301890

(51) **LOC (13) Cl.** ..... **16-01**

(52) **U.S. Cl.**  
USPC ..... **16/201**

(58) **Field of Classification Search**  
USPC .... D10/41, 54, 106.4, 106.6; D16/200, 201,  
D16/202, 214, 215, 219; D21/325, 329,  
D21/333, 448, 514, 578, 725  
CPC ..... G03B 15/03; G03B 15/06; G03B 17/56;  
G02B 7/02; G02B 7/021

See application file for complete search history.

(56) **References Cited**

U.S. PATENT DOCUMENTS

D612,409 S \* 3/2010 Deurwaarder ..... D16/203  
D654,109 S \* 2/2012 Pardi ..... D16/203  
D838,760 S \* 1/2019 Ahman ..... D16/203  
D883,362 S \* 5/2020 Lee ..... D16/208  
D886,887 S \* 6/2020 Veberg ..... D16/203  
D893,575 S \* 8/2020 Kyte ..... D16/202  
D944,308 S \* 2/2022 Li ..... D16/203

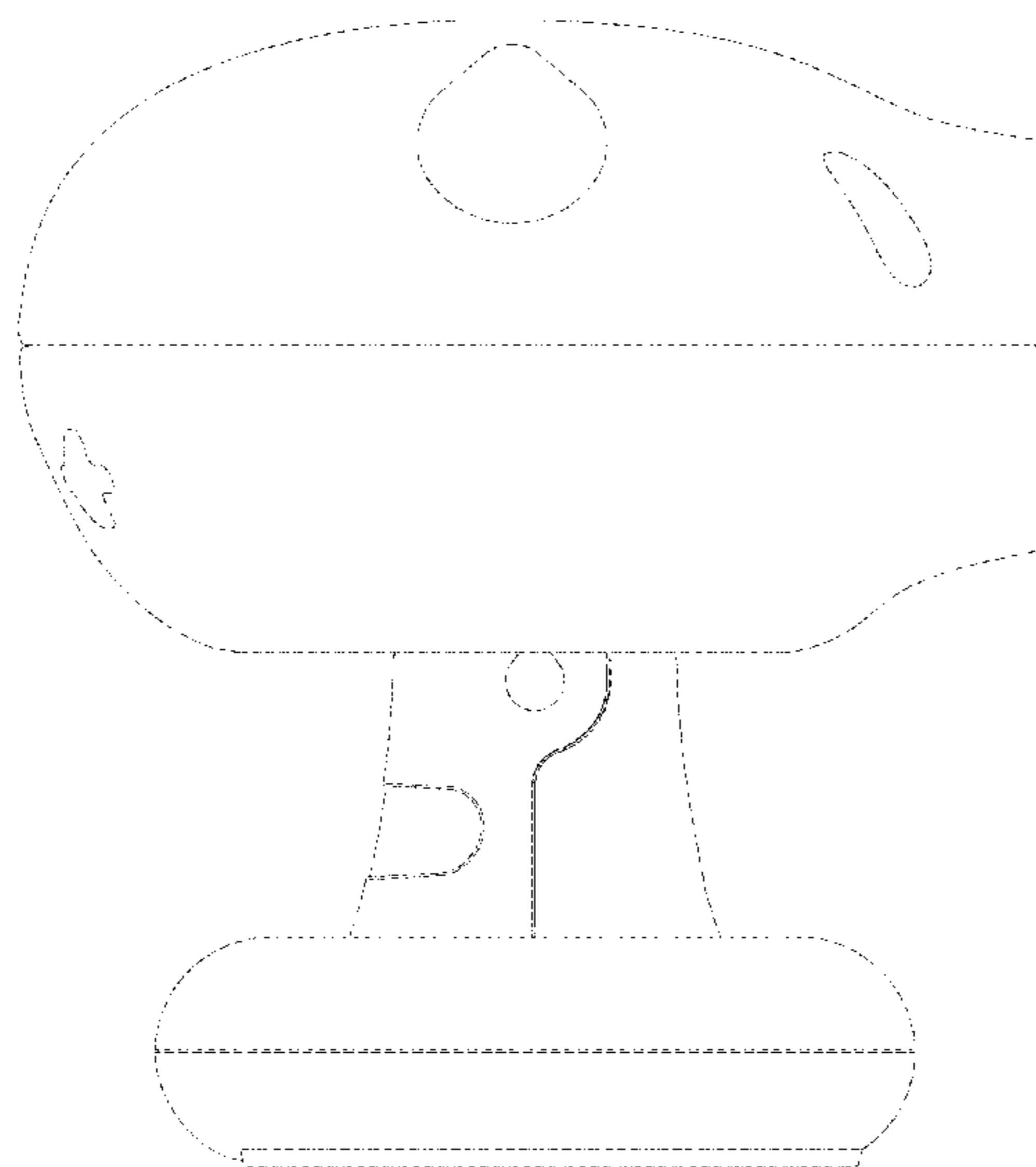
(57) **CLAIM**

The ornamental design for a camera, as shown and described.

**DESCRIPTION**

FIG. 1 is a perspective view of a camera showing our new design;  
FIG. 2 is another perspective view thereof;  
FIG. 3 is another perspective view thereof;  
FIG. 4 is another perspective view thereof;  
FIG. 5 is a front view thereof;  
FIG. 6 is a rear view thereof;  
FIG. 7 is a left side view thereof;  
FIG. 8 is a right side view thereof;  
FIG. 9 is a top view thereof; and,  
FIG. 10 is a bottom view thereof.  
The broken lines illustrate portions of the camera that form no part of the claimed design.

**1 Claim, 10 Drawing Sheets**



(56)

**References Cited**

FOREIGN PATENT DOCUMENTS

EM	008042048-0001	*	7/2020
TW	211402-0001	*	5/2021

OTHER PUBLICATIONS

Paw Roll, Cute Cat Security Pet Camera, earliest date available Jan. 17, 2021, [online].[site visited Jun. 21, 2021]. Available from Internet, <URL:<https://web.archive.org/web/20210117001239/https://pawroll.com/products/1080p-kitty-style-wireless-camera-for-pets>> (Year: 2021).\*

Walmart, Wireless WiFi Video Baby Monitor, earliest date available Jan. 14, 2019, [online].[site visited Jun. 21, 2021]. Available from Internet, <URL:<https://www.walmart.com/ip/Wireless-WiFi-Video-Baby-Monitor-Two-Way-Audio-Home-Security-Camera-HD-720P-Night-Vision-Cam/585419517>> (Year: 2019).\*

Google Image Search, [online].[site visited Jun. 21, 2022]: <https://www.google.com/search?q=web+camera+for+kids&tbm=isch&ved=2ahUKEwjkspjyMT4AhVpM1kFHbJKAKUQ2-cCegQIABAA&oq=web+ca%E2%80%A6> (Year: 2022).\*

“Office Action of Taiwan Counterpart Application”, dated Jul. 16, 2020, p. 1-p. 3.

\* cited by examiner

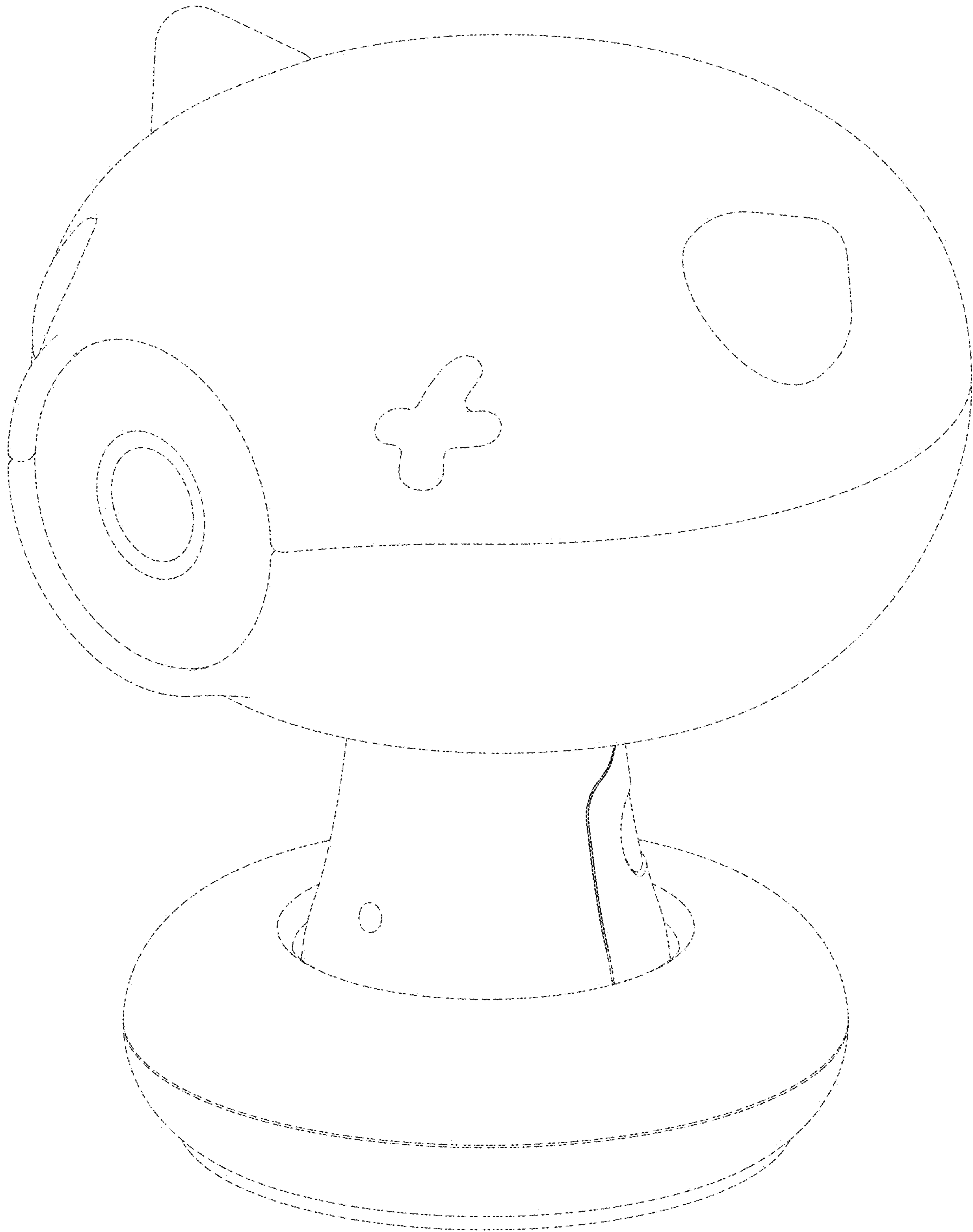


FIG. 1

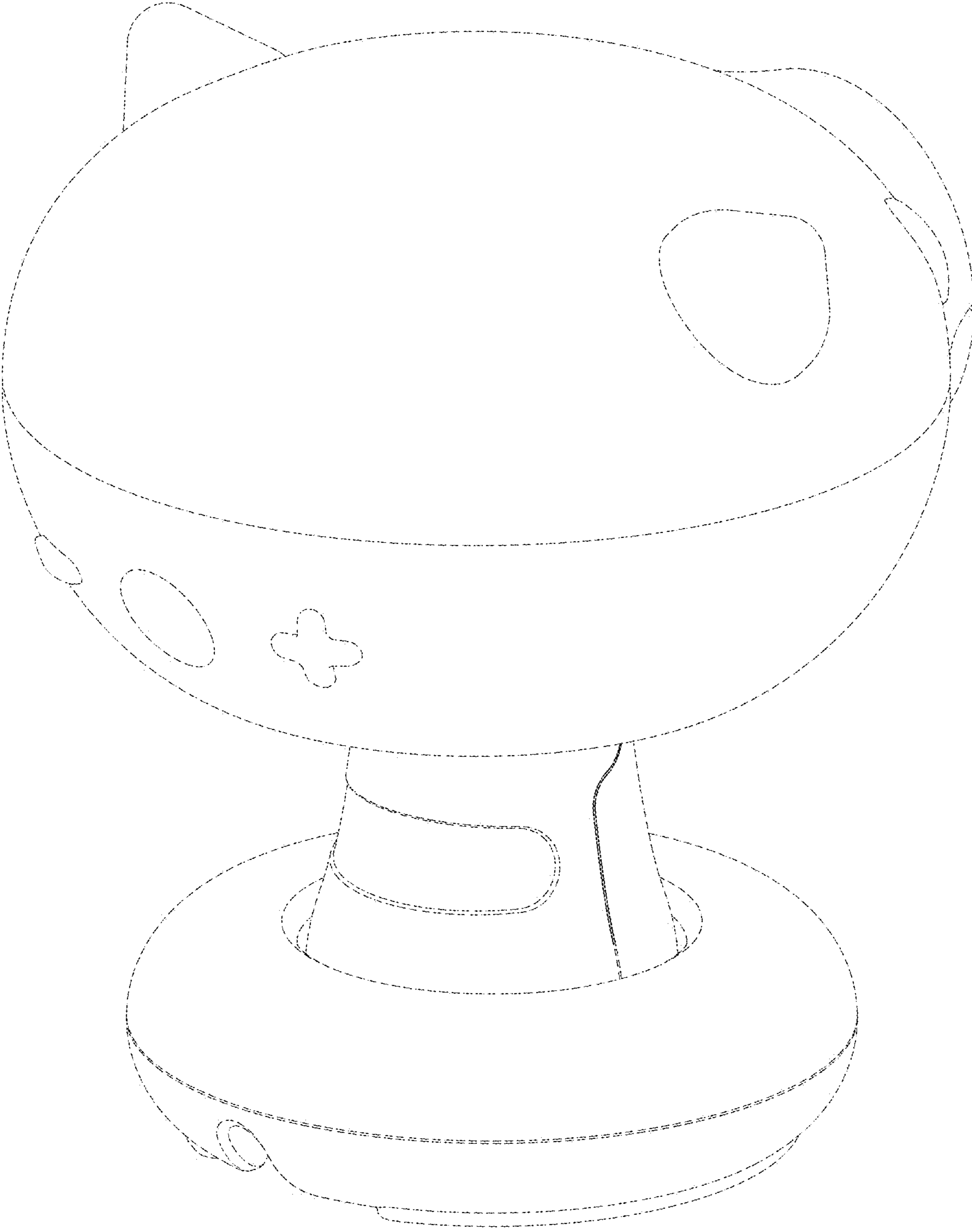


FIG. 2

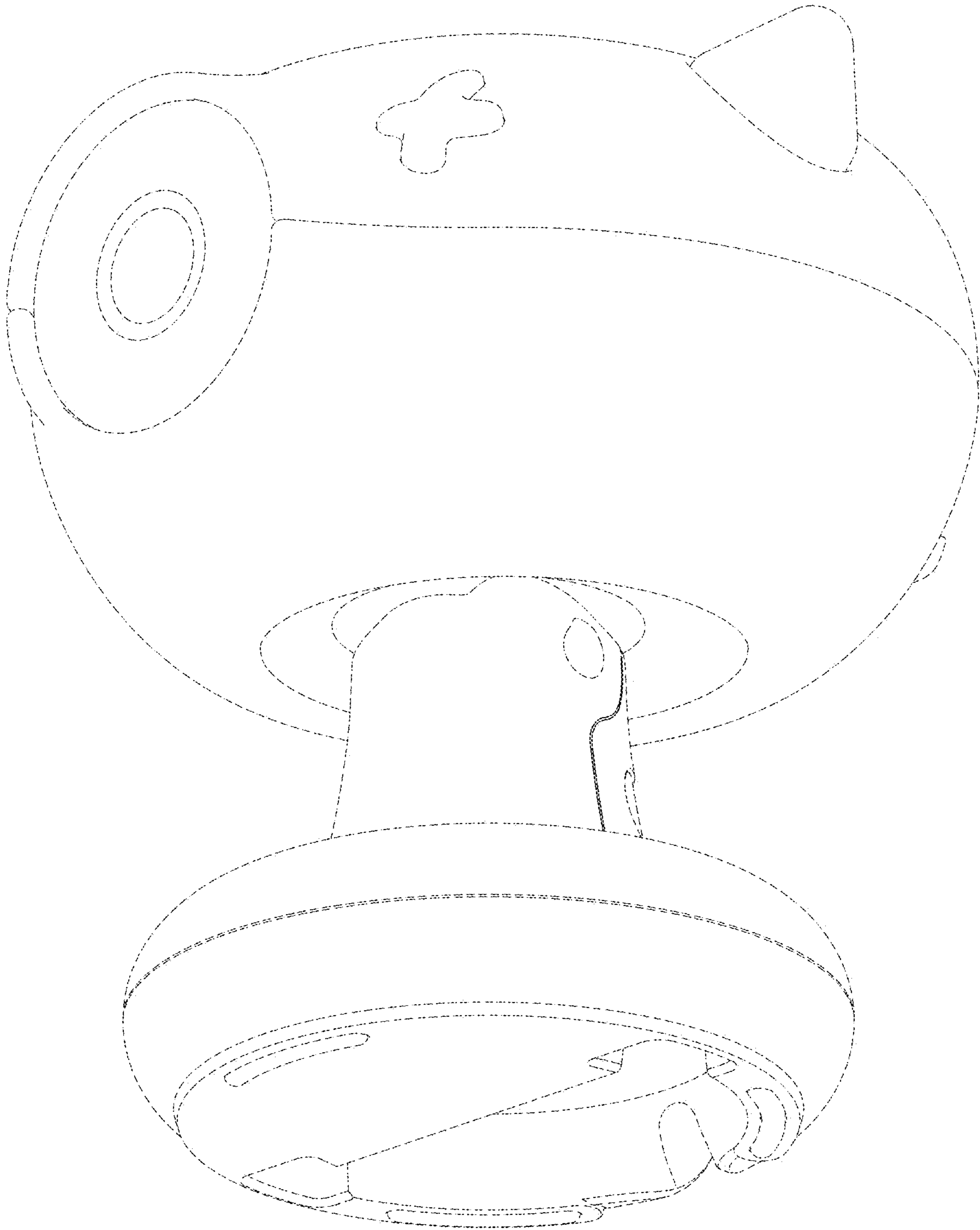


FIG. 3

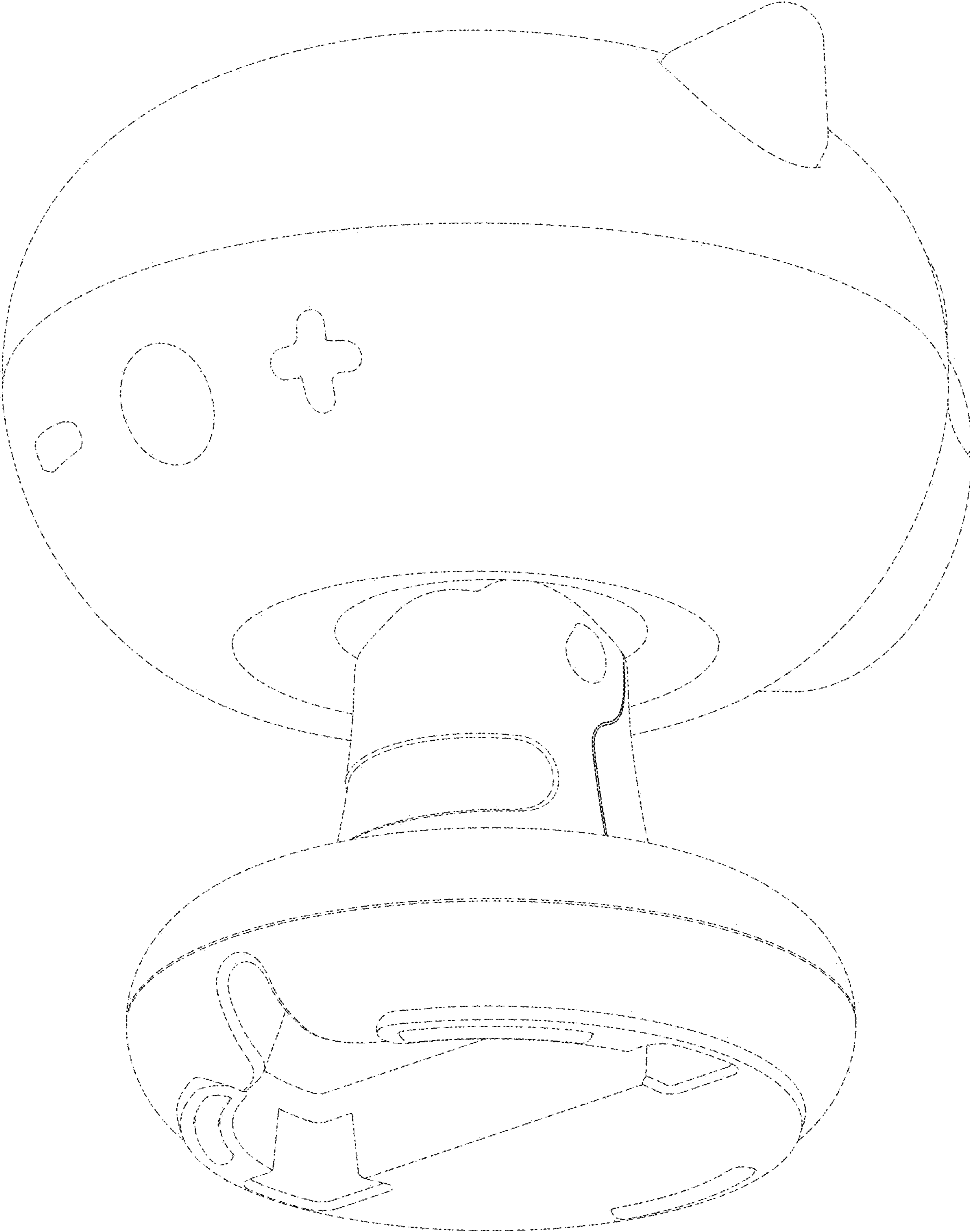


FIG. 4



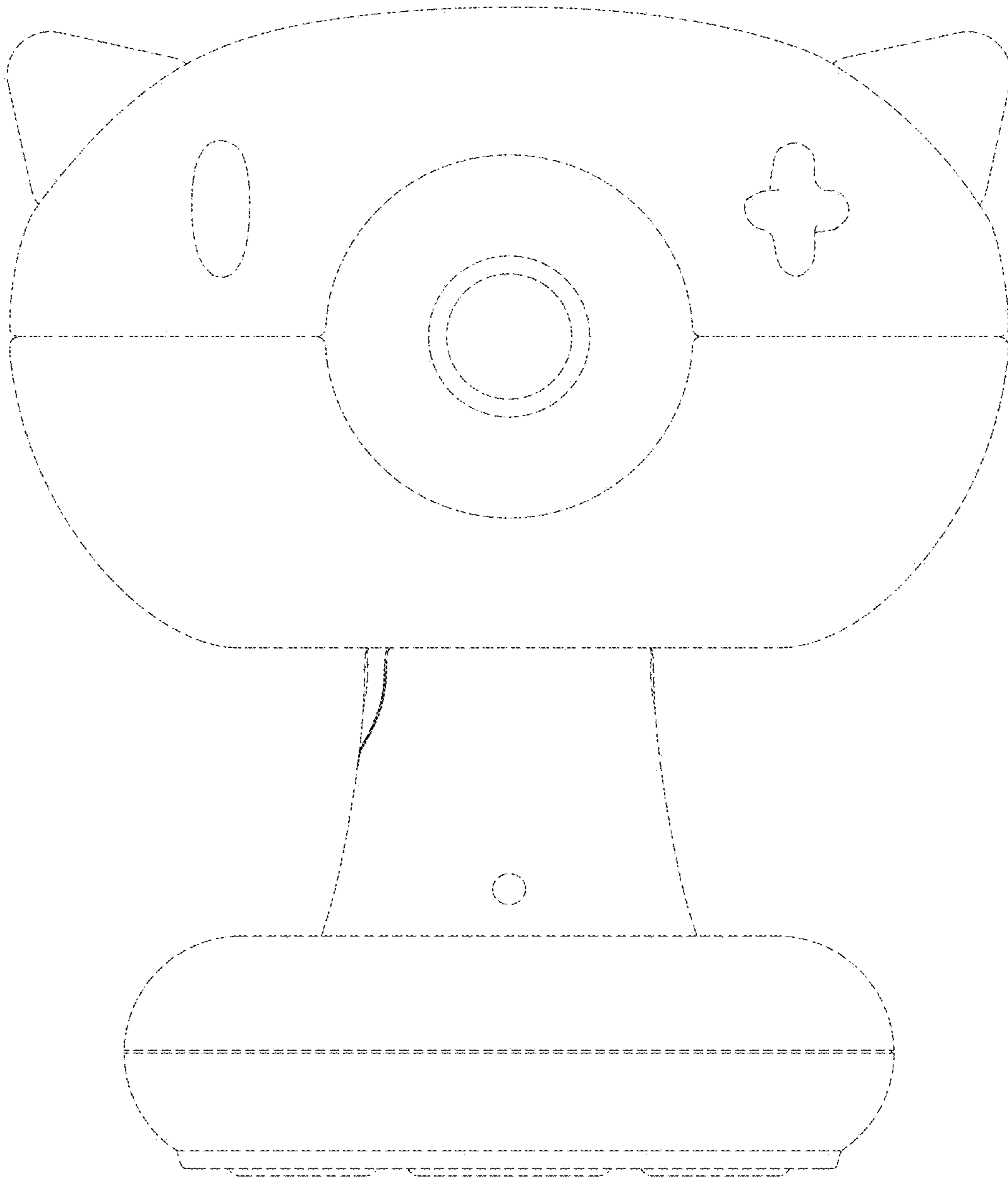


FIG. 5

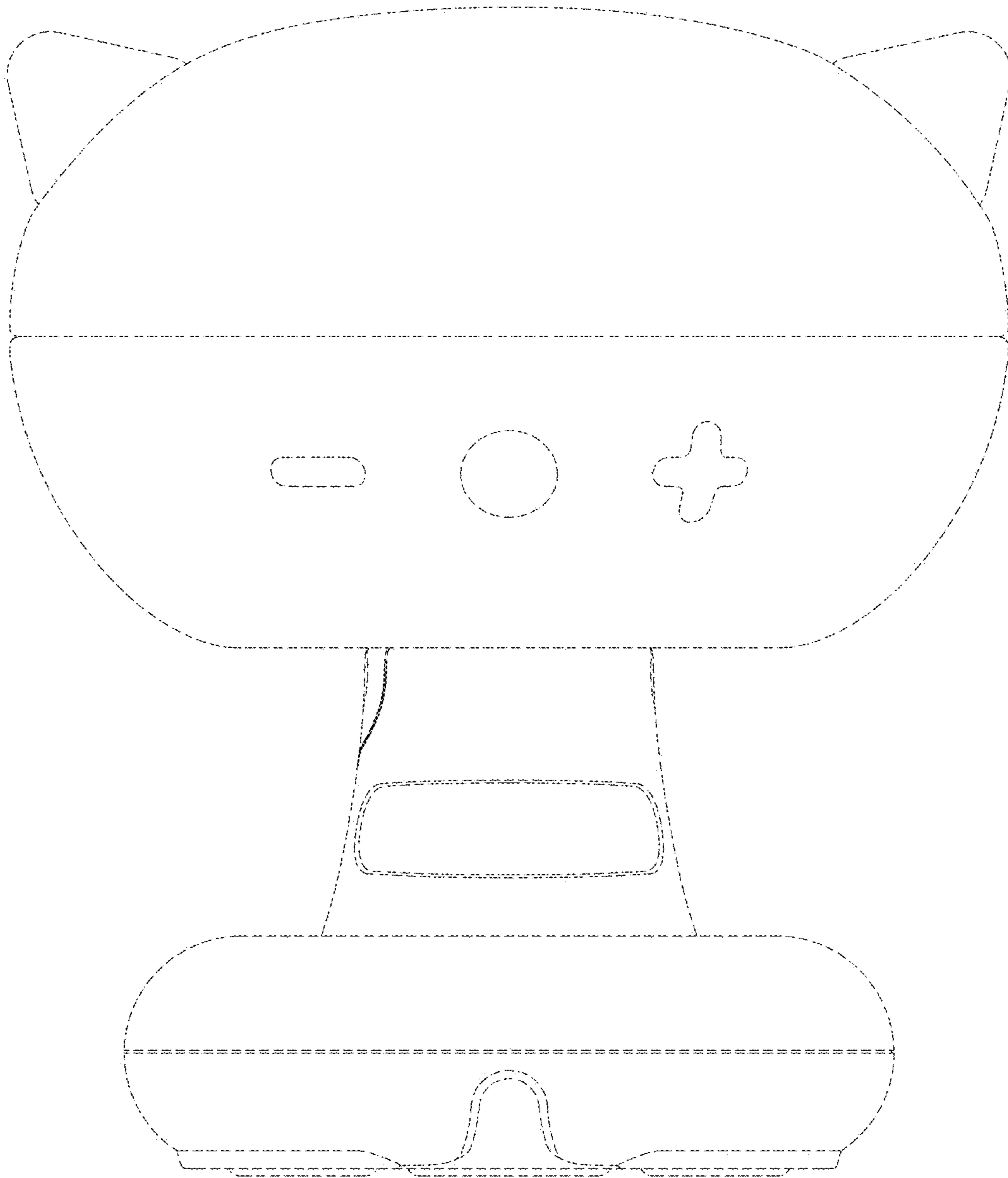


FIG. 6



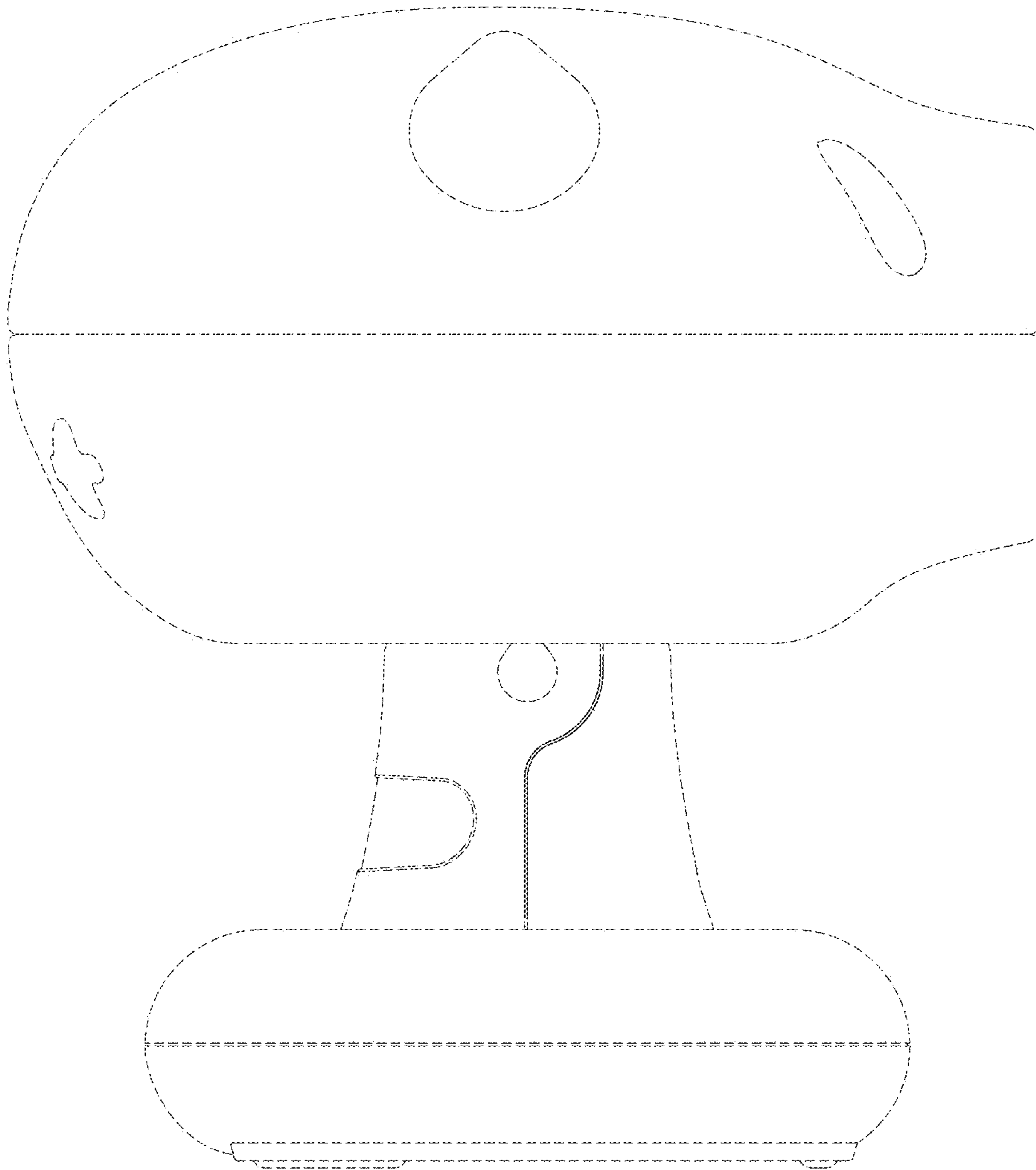


FIG. 7

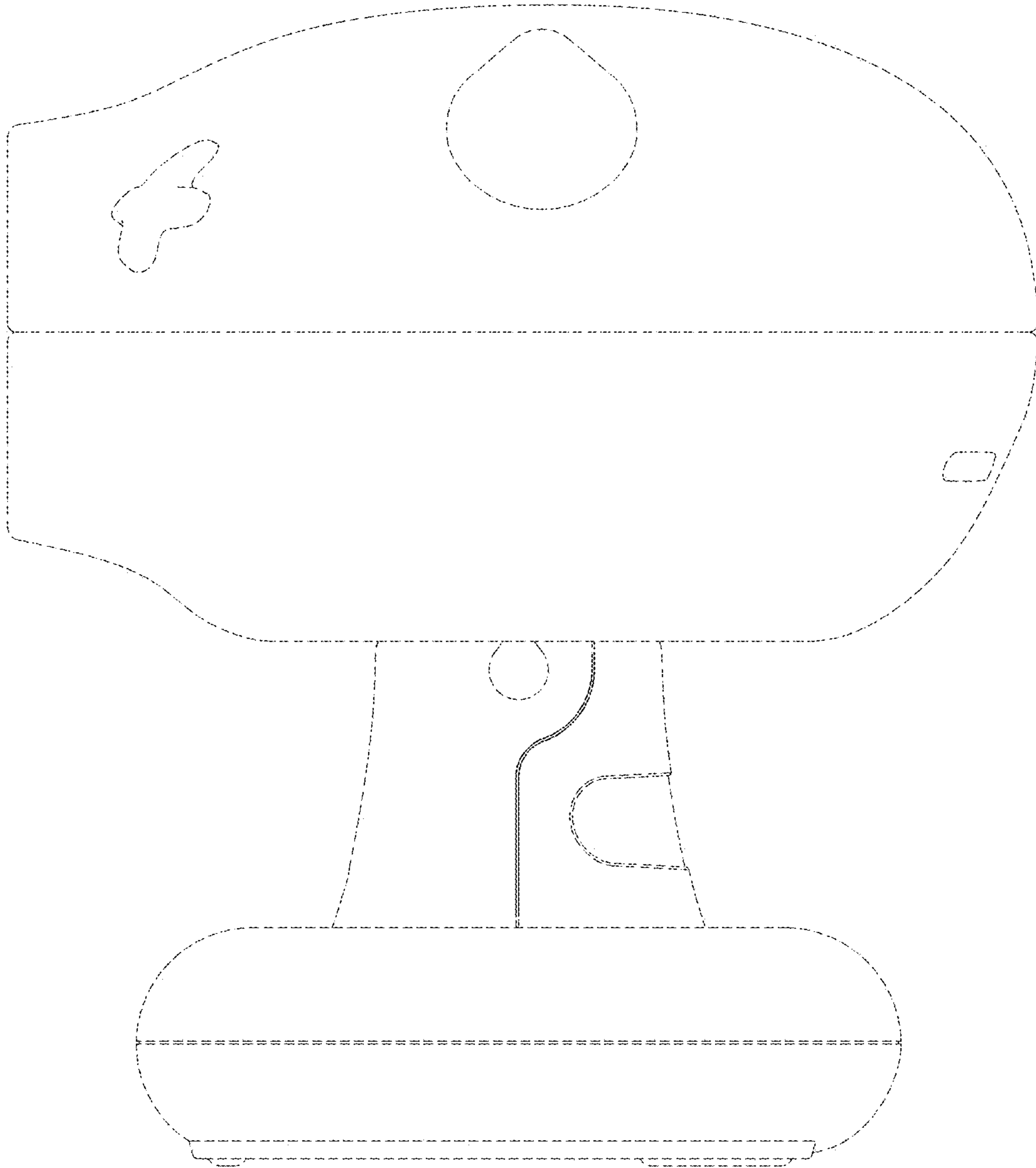


FIG. 8

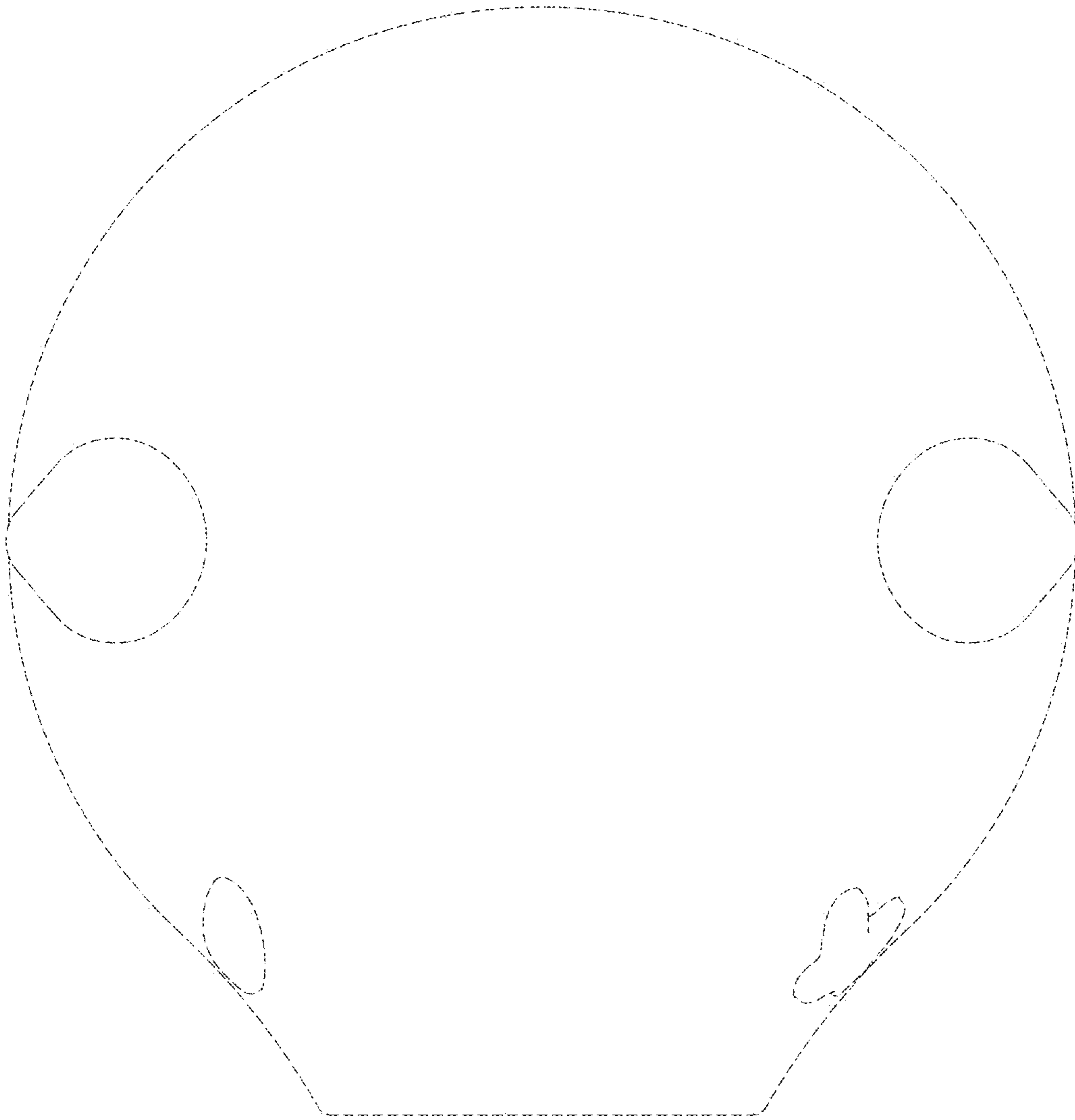


FIG. 9

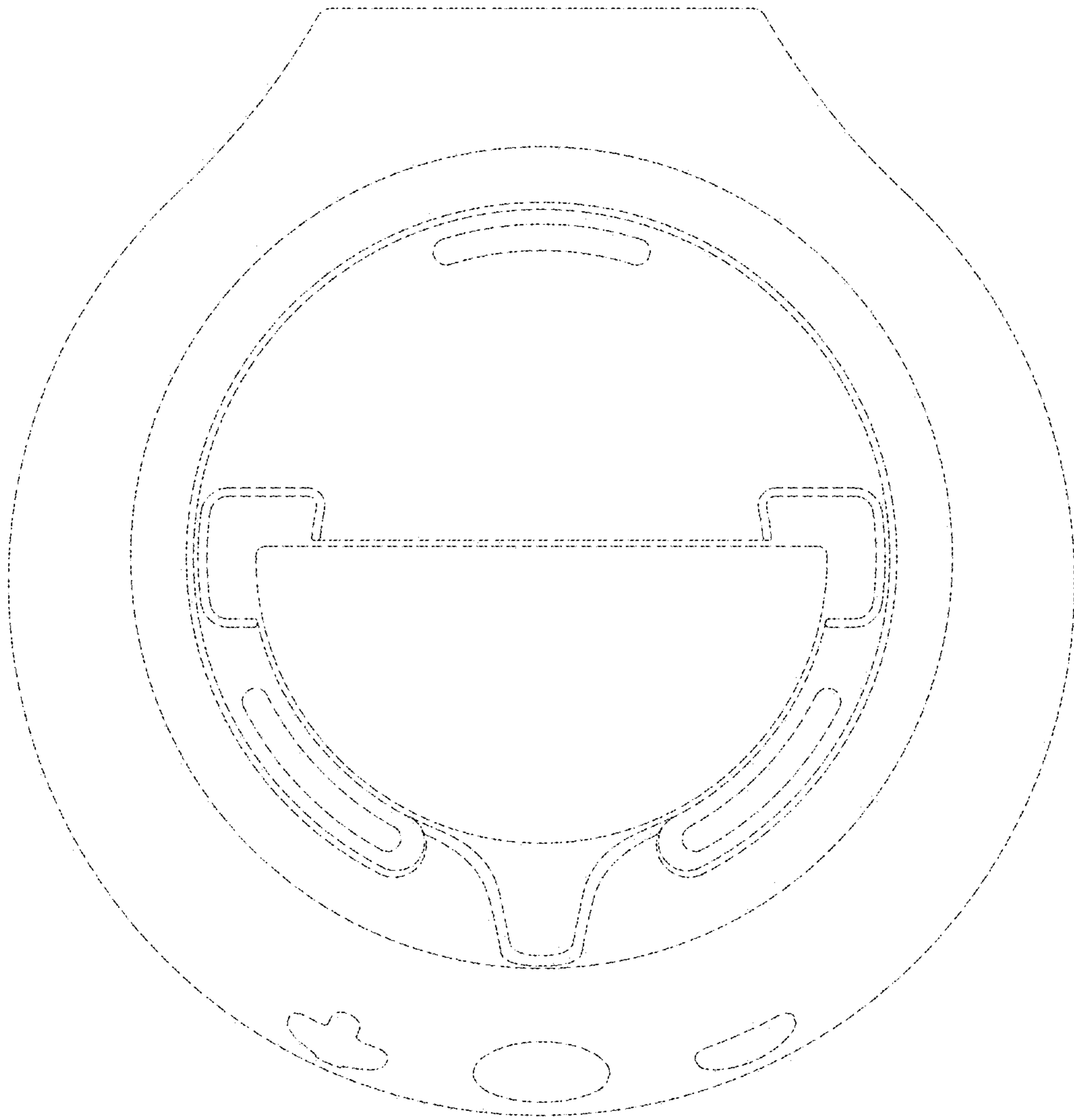


FIG. 10