



US00D969192S

(12) **United States Design Patent** (10) **Patent No.:** **US D969,192 S**
Lee et al. (45) **Date of Patent:** **** Nov. 8, 2022**

(54) **DELIVERY ROBOT**

(71) Applicant: **LG ELECTRONICS INC.**, Seoul (KR)

(72) Inventors: **Daesung Lee**, Seoul (KR); **Sunil Cho**, Seoul (KR); **Sunghee Han**, Seoul (KR)

(73) Assignee: **LG ELECTRONICS INC.**, Seoul (KR)

(**) Term: **15 Years**

(21) Appl. No.: **35/512,884**

(22) Filed: **May 12, 2021**

(80) **Hague Agreement Data**

Int. Filing Date: **May 12, 2021**
Int. Reg. No.: **DM/214260**
Int. Reg. Date: **May 12, 2021**
Int. Reg. Pub. Date: **Nov. 12, 2021**

(30) **Foreign Application Priority Data**

Dec. 7, 2020 (KR) 30-2020-0060200

(51) **LOC (13) Cl.** **15-99**

(52) **U.S. Cl.**
USPC **D15/199**; D34/34

(58) **Field of Classification Search**
USPC D7/605, 606, 629; D12/14, 86, 88, 90, D12/91; D15/199; D34/34
CPC B25J 5/007; B25J 11/008; B60G 5/01; B60G 2300/07; B62D 61/10; G05D 1/0238; G05D 1/0214; Y10S 901/01
See application file for complete search history.

(56) **References Cited**

U.S. PATENT DOCUMENTS

D165,195 S * 11/1951 Schlumbohm 296/181.1
D401,407 S * 11/1998 Bro D3/271.12

D608,158 S * 1/2010 Beal D7/605
D745,144 S * 12/2015 Aylmer D24/128
D818,397 S * 5/2018 Mäkelä D3/271.12
D821,265 S * 6/2018 Mäkelä D3/271.12
D822,739 S * 7/2018 Kato D15/199
D824,976 S * 8/2018 Mäkelä D15/199
D866,393 S * 11/2019 Asai D12/1
D883,354 S * 5/2020 Jafarzadeh D15/199
D884,043 S * 5/2020 Song D15/199
D917,592 S * 4/2021 Mei D15/199
D919,686 S * 5/2021 Mäkelä D15/199
D934,933 S * 11/2021 Cho D15/199
D939,602 S * 12/2021 Wang B25J 11/00
D15/199
D944,305 S * 2/2022 Liu D15/199
2018/0194411 A1 * 7/2018 Liivik B60G 5/01

* cited by examiner

Primary Examiner — Patricia A Palasik
(74) *Attorney, Agent, or Firm* — Birch, Stewart, Kolasch & Birch, LLP

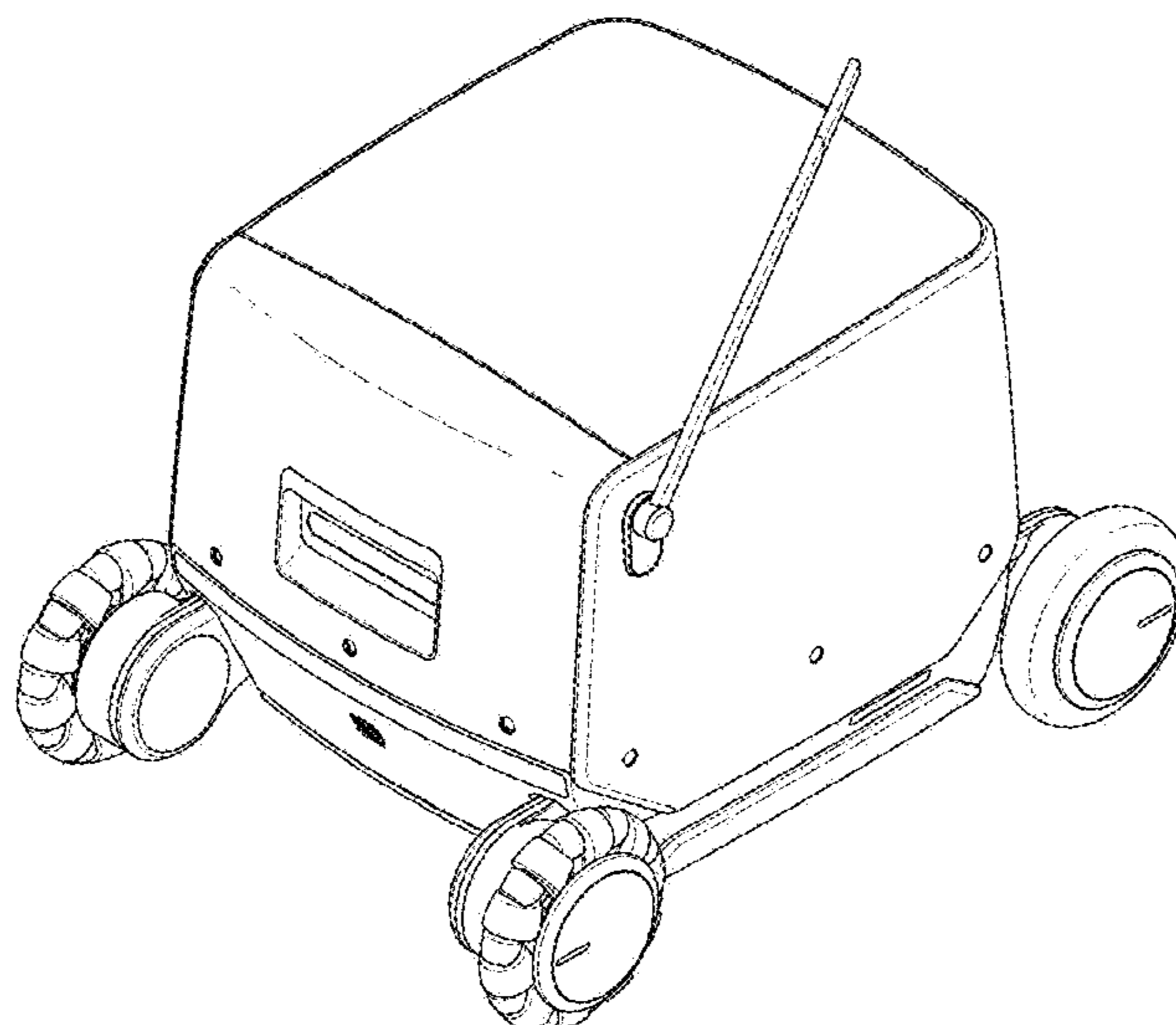
(57) **CLAIM**

The ornamental design for a delivery robot, as shown and described.

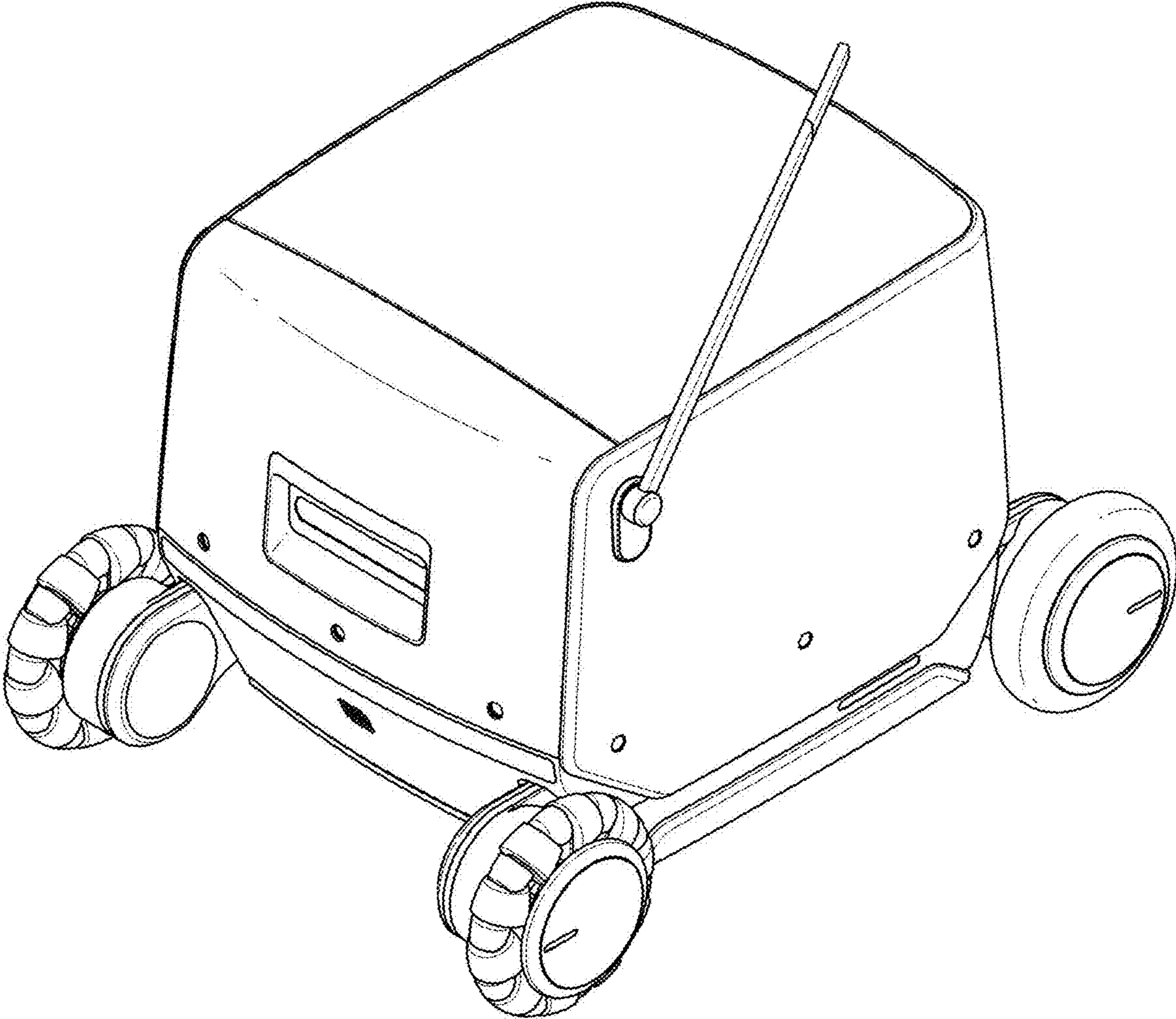
DESCRIPTION

1. Delivery robot
1.1 : Perspective
1.2 : Front
1.3 : Back
1.4 : Left
1.5 : Right
1.6 : Top
1.7 : Bottom
1.8 : Reference
1.9 : Reference
Reproduction **1.8** to **1.9** are reference views showing the state of use in alternative positions.

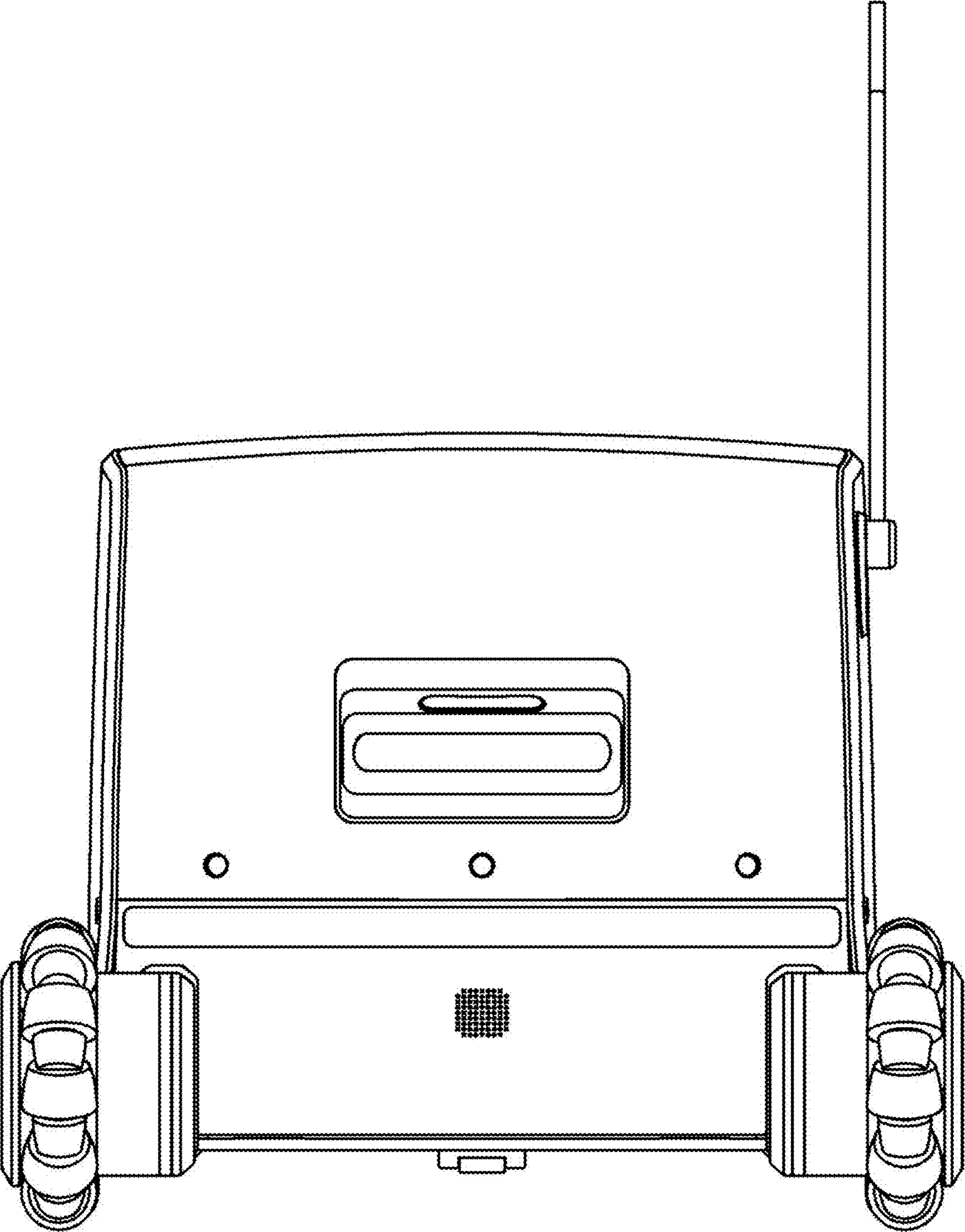
1 Claim, 9 Drawing Sheets



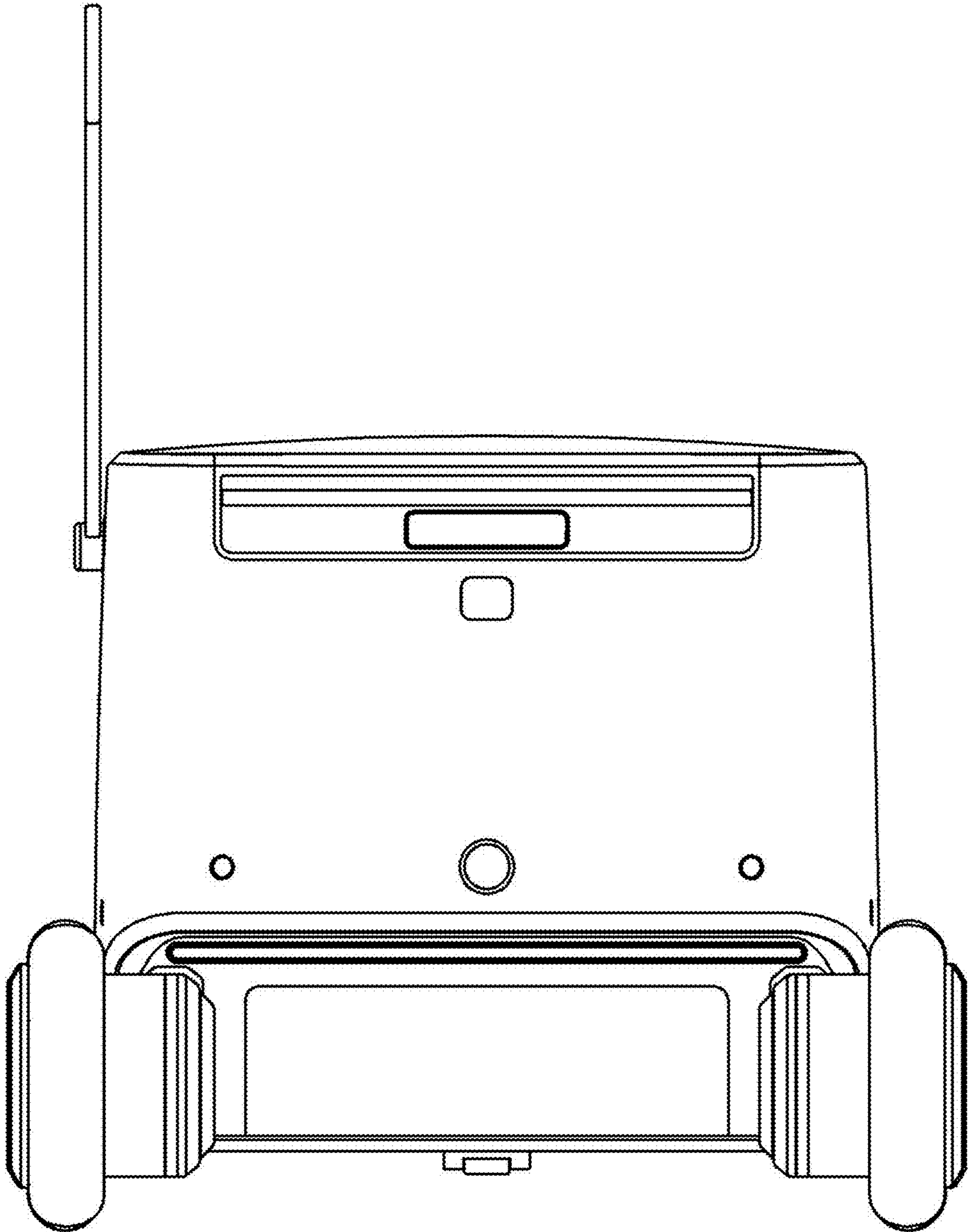
1.1



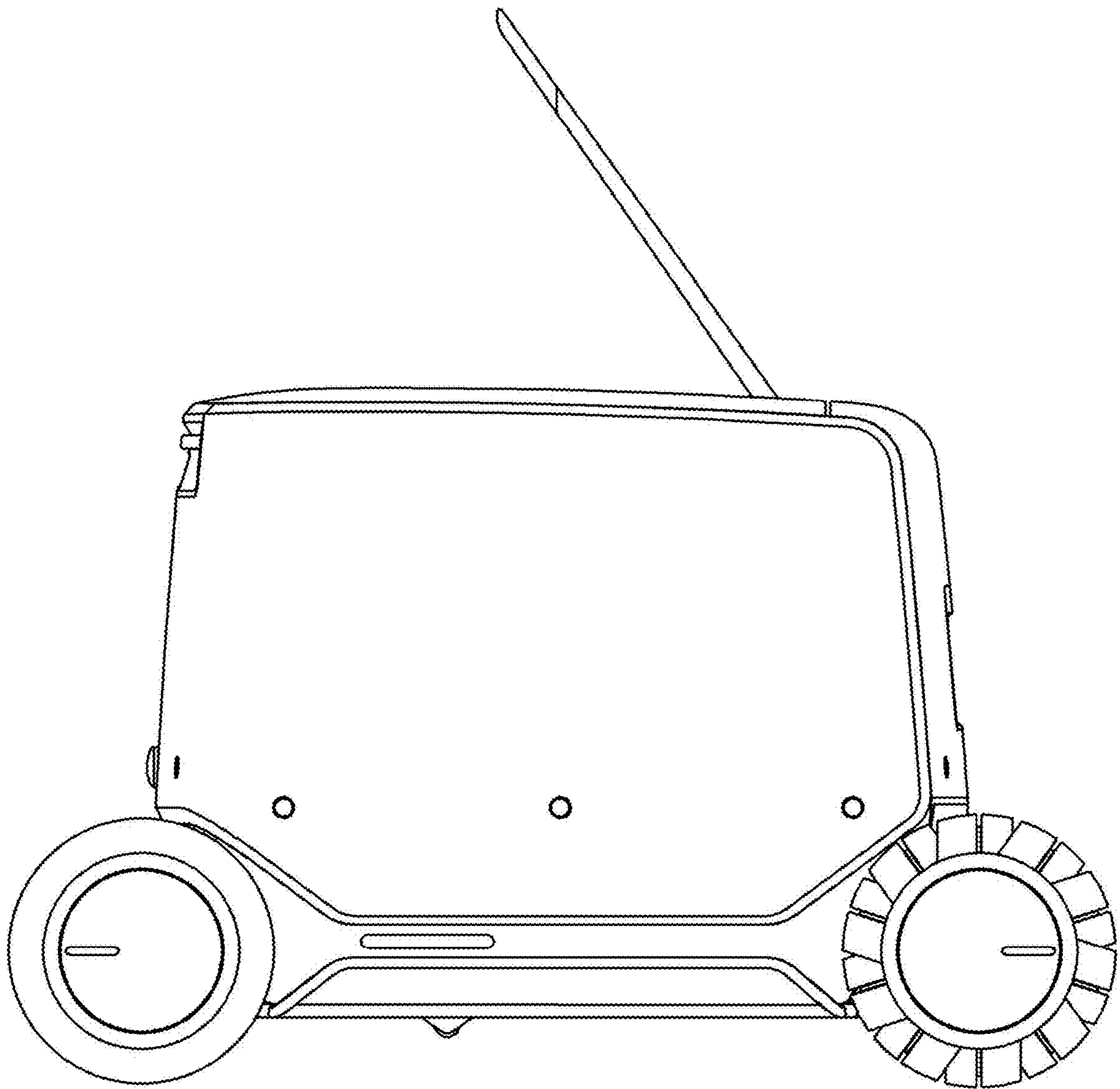
1.2



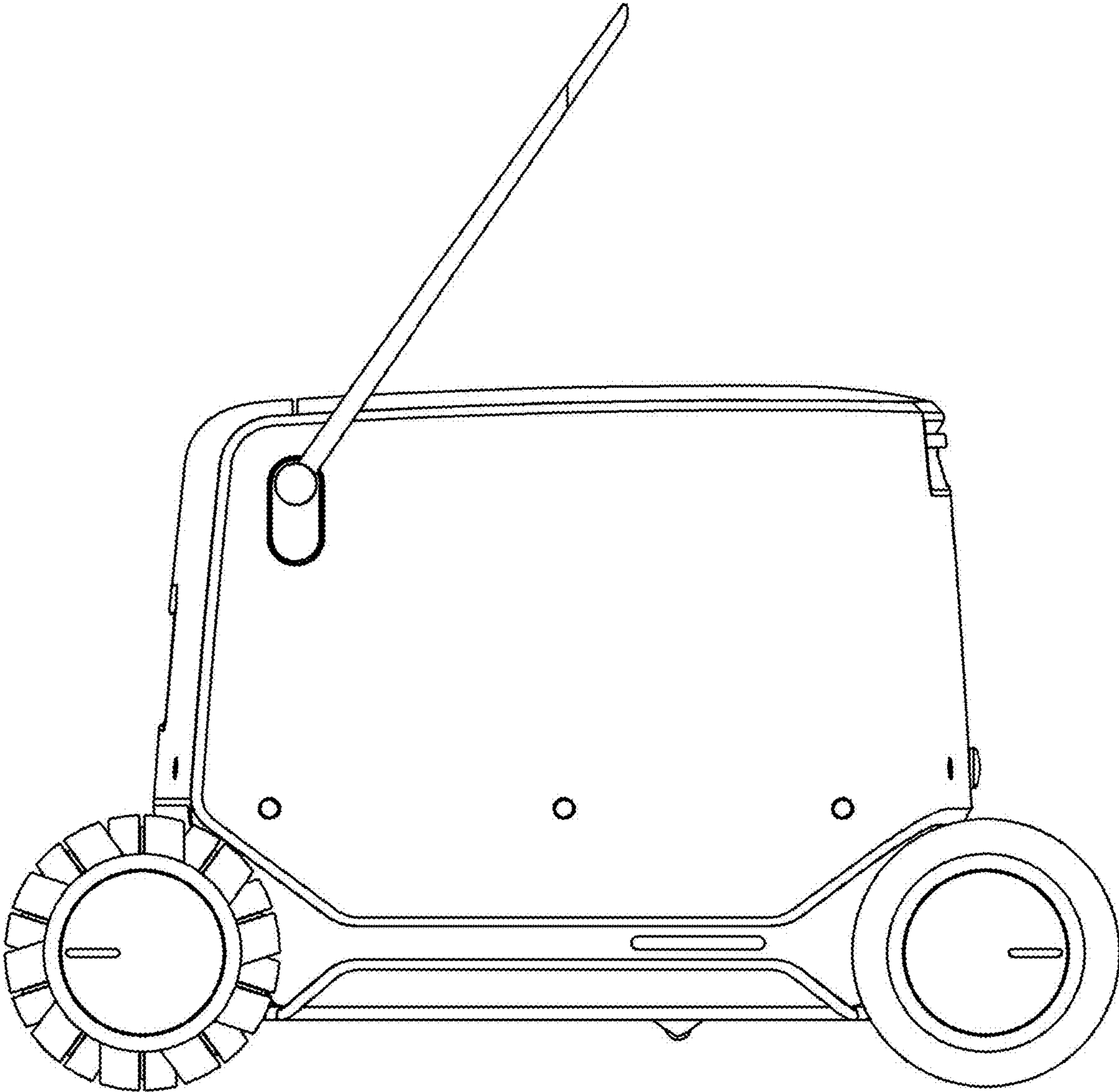
1.3



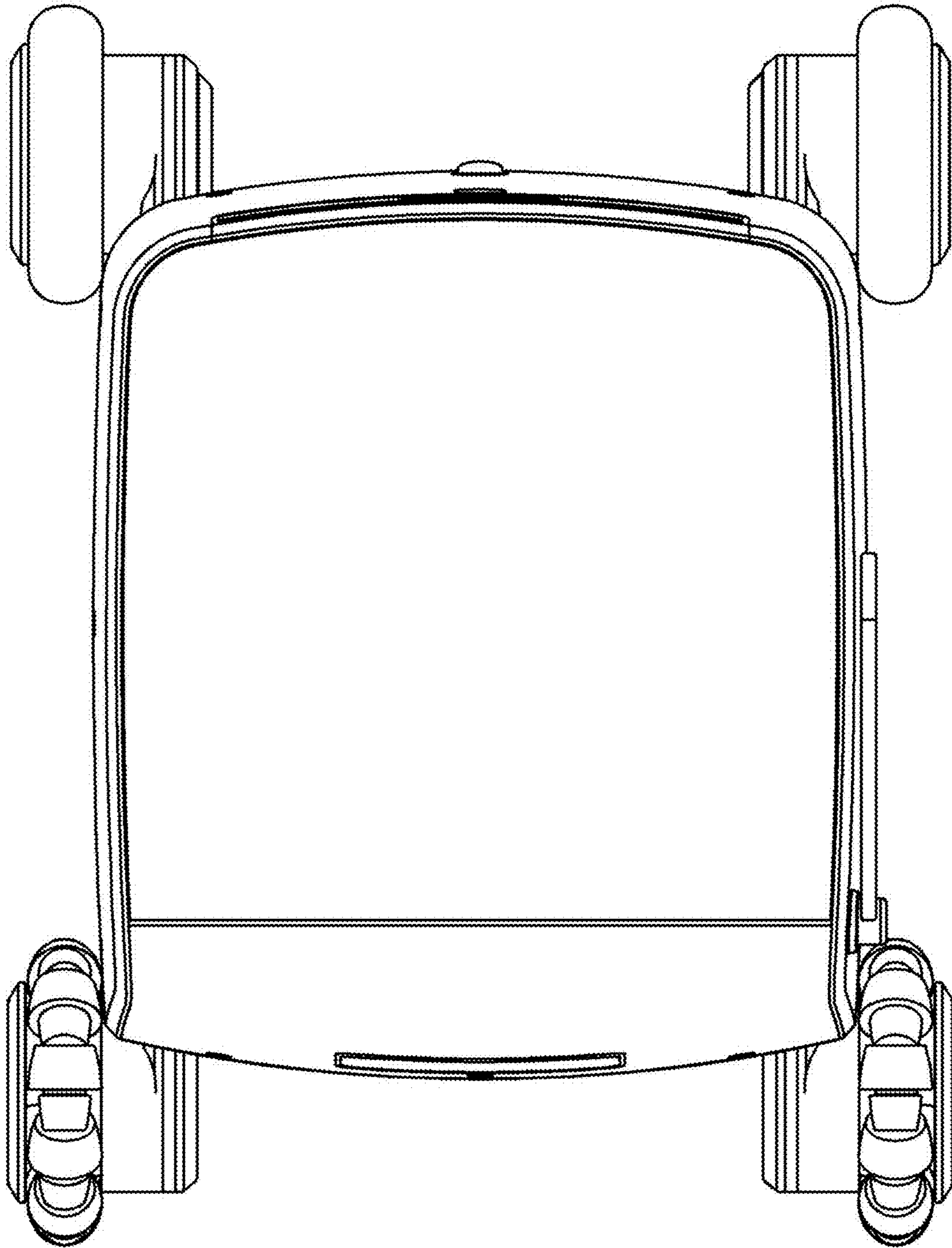
1.4



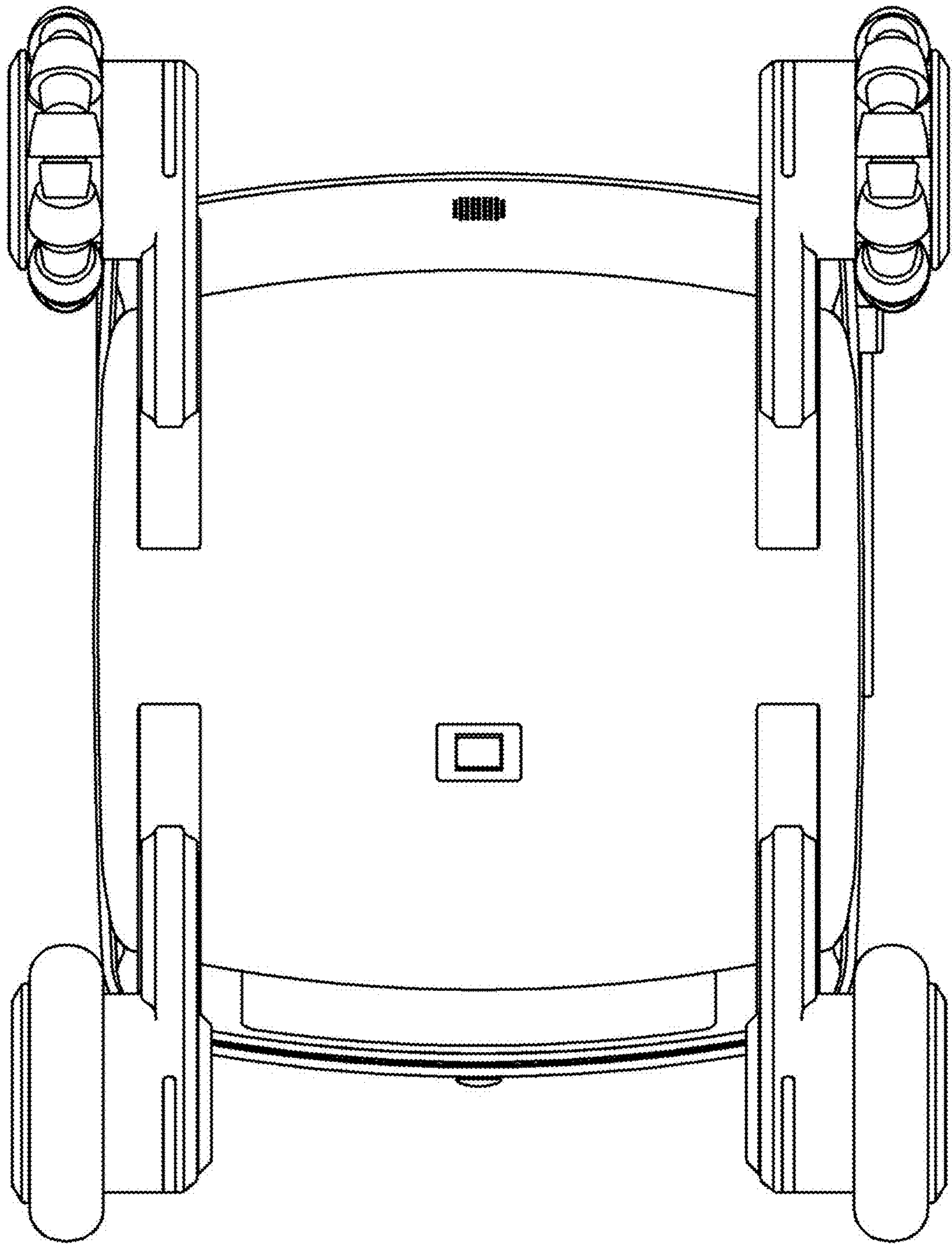
1.5



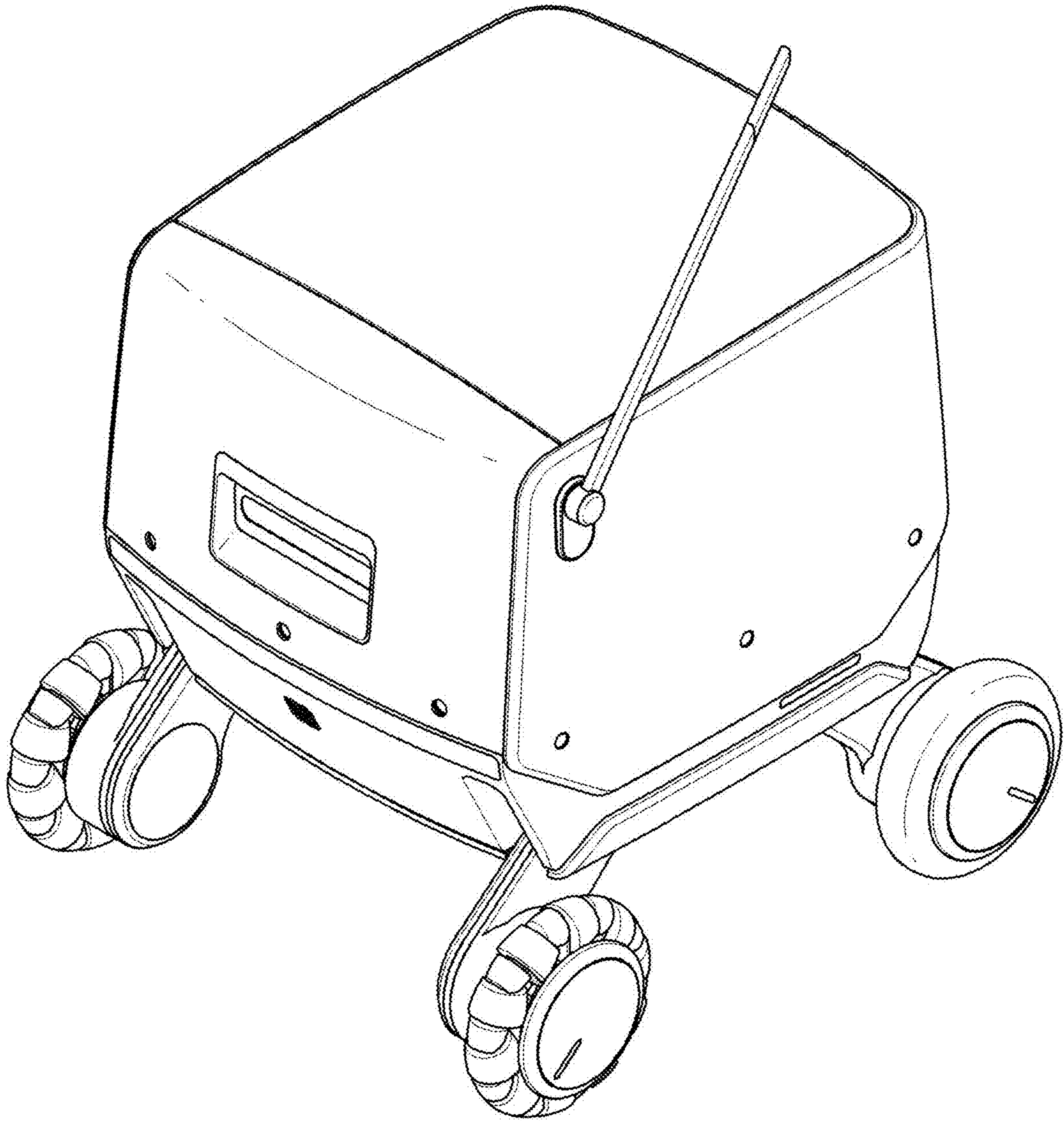
1.6



1.7



1.8



1.9

