



US00D969190S

(12) **United States Design Patent** (10) **Patent No.:** **US D969,190 S**
Son et al. (45) **Date of Patent:** **** Nov. 8, 2022**

(54) **SHELF FOR A SECURITY GUIDE ROBOT**

(71) Applicant: **LG ELECTRONICS INC.**, Seoul (KR)

(72) Inventors: **Jungkyu Son**, Seoul (KR); **Sunil Cho**, Seoul (KR); **Joohee Son**, Seoul (KR)

(73) Assignee: **LG ELECTRONICS INC.**, Seoul (KR)

(**) Term: **15 Years**

(21) Appl. No.: **29/794,180**

(22) Filed: **Jun. 10, 2021**

(30) **Foreign Application Priority Data**

May 31, 2021 (KR) 30-2021-0025883

(51) **LOC (13) Cl.** **15-99**

(52) **U.S. Cl.**
USPC **D15/199**

(58) **Field of Classification Search**
USPC D15/199; D21/578-583, 621, 622;
D32/21; D34/34

CPC B25J 5/007; B25J 11/00; B25J 11/008;
B62D 57/024; G06N 3/008; Y10S 901/01
See application file for complete search history.

(56) **References Cited**

U.S. PATENT DOCUMENTS

D644,257 S *	8/2011	Kitano	D15/199
D810,167 S *	2/2018	Yang	D15/199
D811,458 S *	2/2018	Wang	D15/199
D812,153 S *	3/2018	Belker	D21/659
D818,020 S *	5/2018	McGinn	D15/199
D823,917 S *	7/2018	Bernazeau	D21/578
D826,302 S *	8/2018	Tsukamoto	D15/199
D829,250 S *	9/2018	Zilbershtein	D15/199
D829,251 S *	9/2018	Wang	D15/199

D837,855 S *	1/2019	Chen	B25J 11/008
				D15/199
D841,708 S *	2/2019	Koshiishi	D15/199
D842,353 S *	3/2019	Lee	D15/199
D881,249 S *	4/2020	Kim	D15/199
D884,043 S *	5/2020	Song	D15/199
D888,790 S *	6/2020	Yao	D15/199
D891,496 S *	7/2020	Okawa	D15/199
D893,570 S *	8/2020	Zheng	D15/199
D898,789 S *	10/2020	Nazarikhorram	D15/199
D908,151 S *	1/2021	Song	D15/199
D908,152 S *	1/2021	Cacioppo	D15/199
D909,441 S *	2/2021	Zhao	D15/199
D912,115 S *	3/2021	Rembisz	D15/199
D912,118 S *	3/2021	Day	D15/199
D919,687 S *	5/2021	Song	D15/199
D920,410 S *	5/2021	Chen	D15/199
D920,411 S *	5/2021	Zheng	D15/199
D927,580 S *	8/2021	Khachikyan	D15/199

(Continued)

Primary Examiner — Patricia A Palasik

(74) *Attorney, Agent, or Firm* — Birch, Stewart, Kolasch & Birch, LLP

(57) **CLAIM**

The ornamental design for a shelf for a security guide robot, as shown and described.

DESCRIPTION

FIG. 1 is a front, right side perspective view of a shelf for a security guide robot showing our new design;
FIG. 2 is a front view thereof;
FIG. 3 is a rear view thereof;
FIG. 4 is a left side view thereof;
FIG. 5 is a right side view thereof;
FIG. 6 is a top view thereof;
FIG. 7 is a bottom view thereof; and,
FIG. 8 is another perspective view showing environment.
The broken lines indicate portions of the article that form no part of the claimed design.

1 Claim, 7 Drawing Sheets

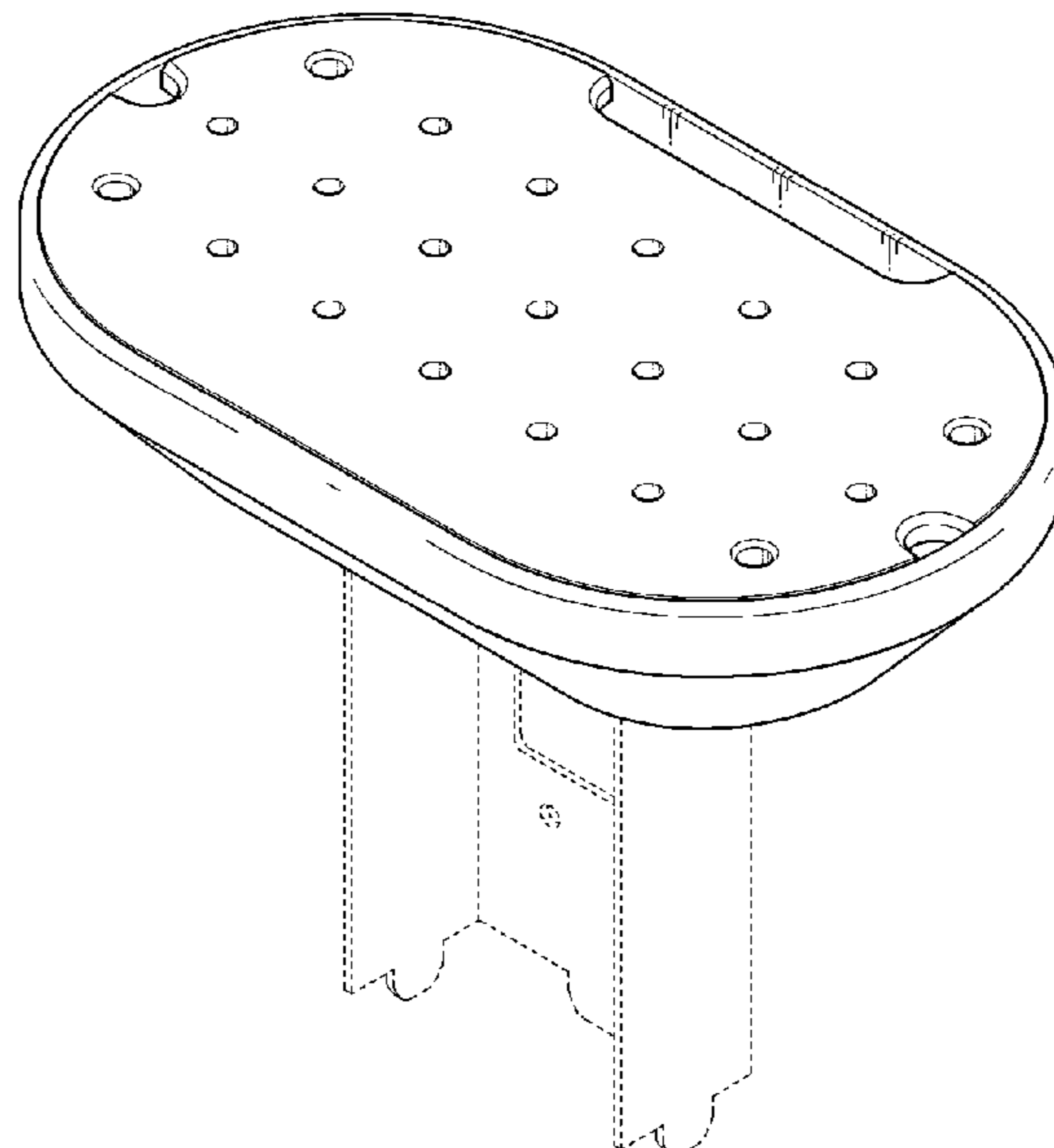


FIG. 1

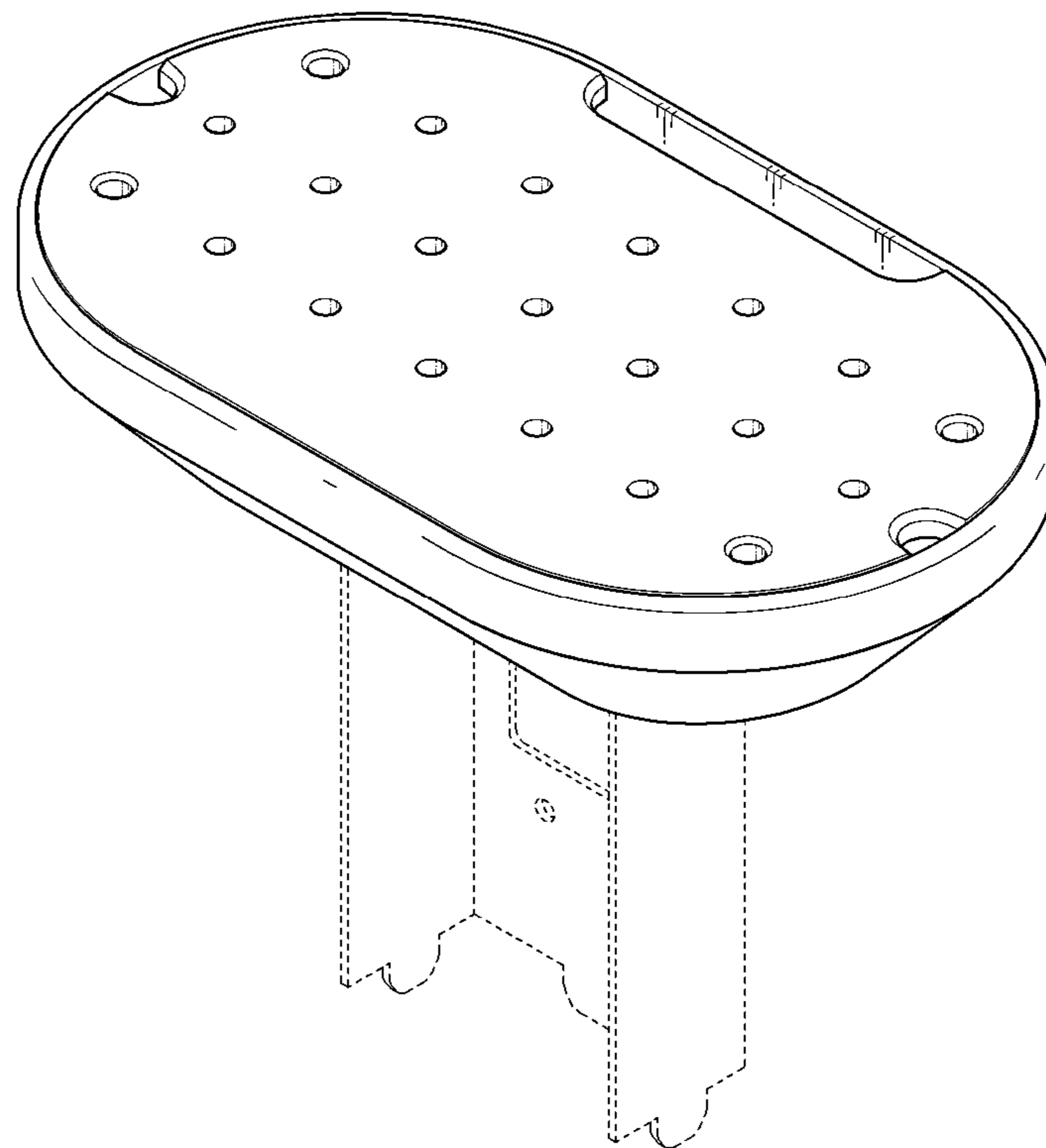


FIG. 2

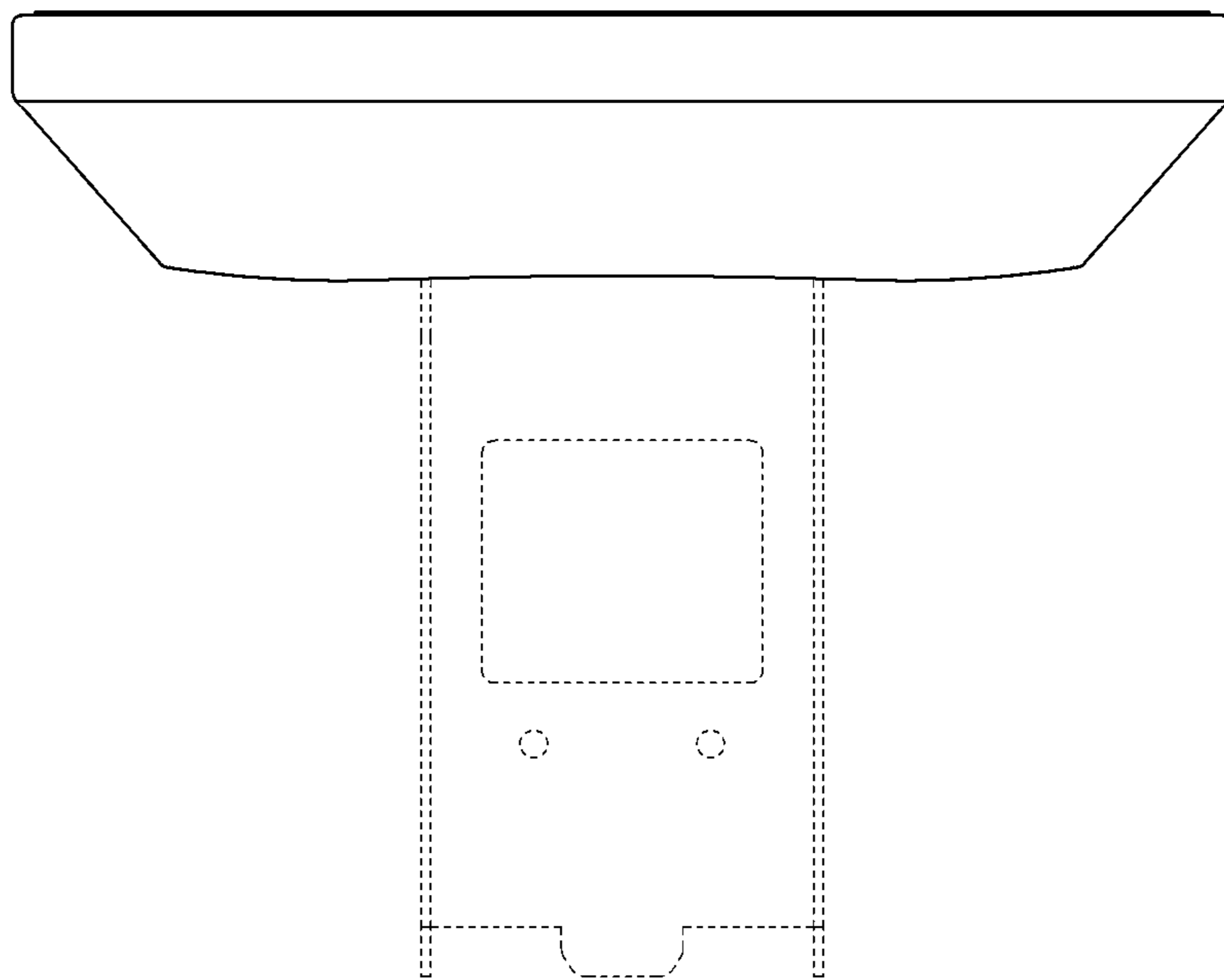


FIG. 3

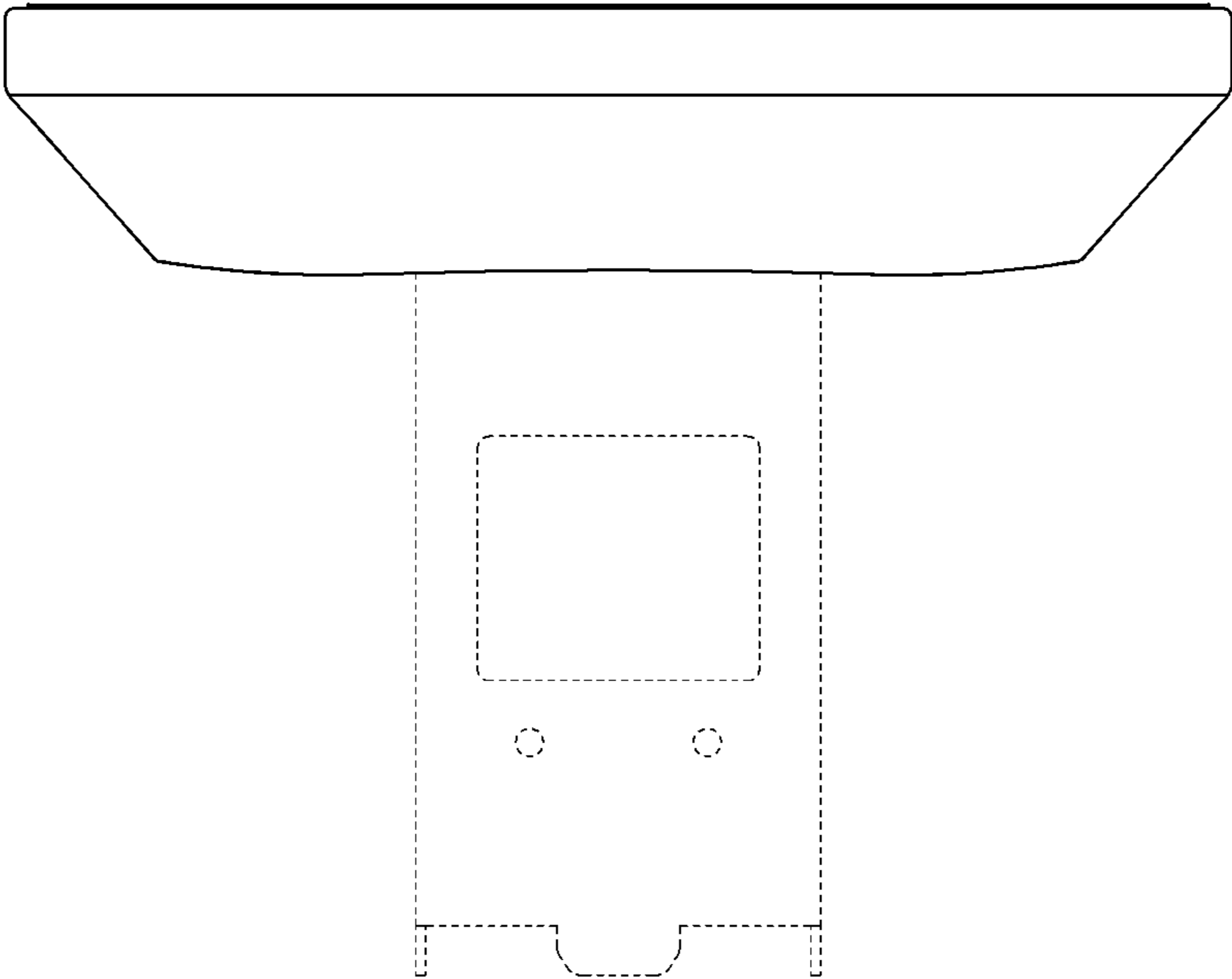


FIG. 4

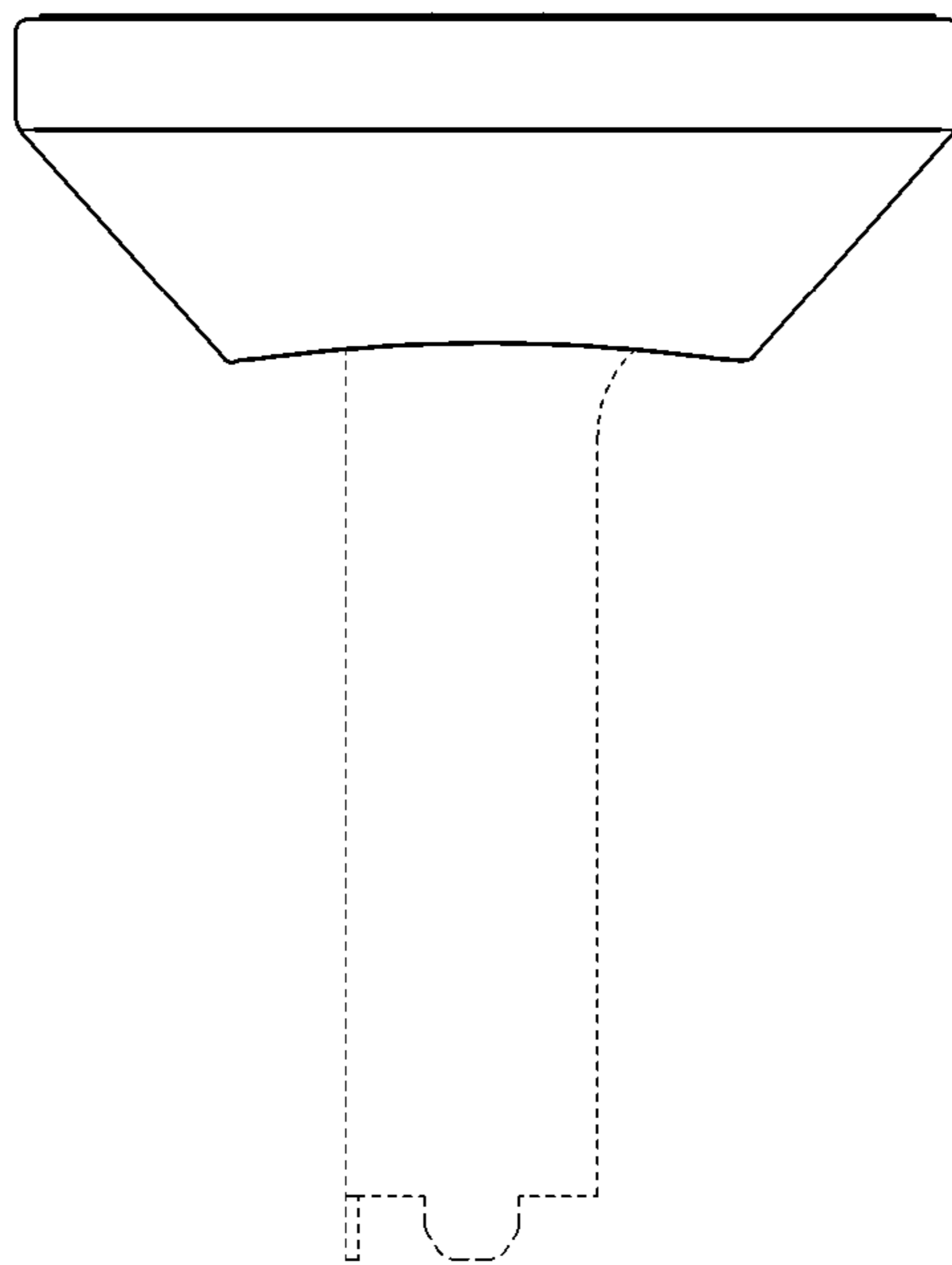


FIG. 5

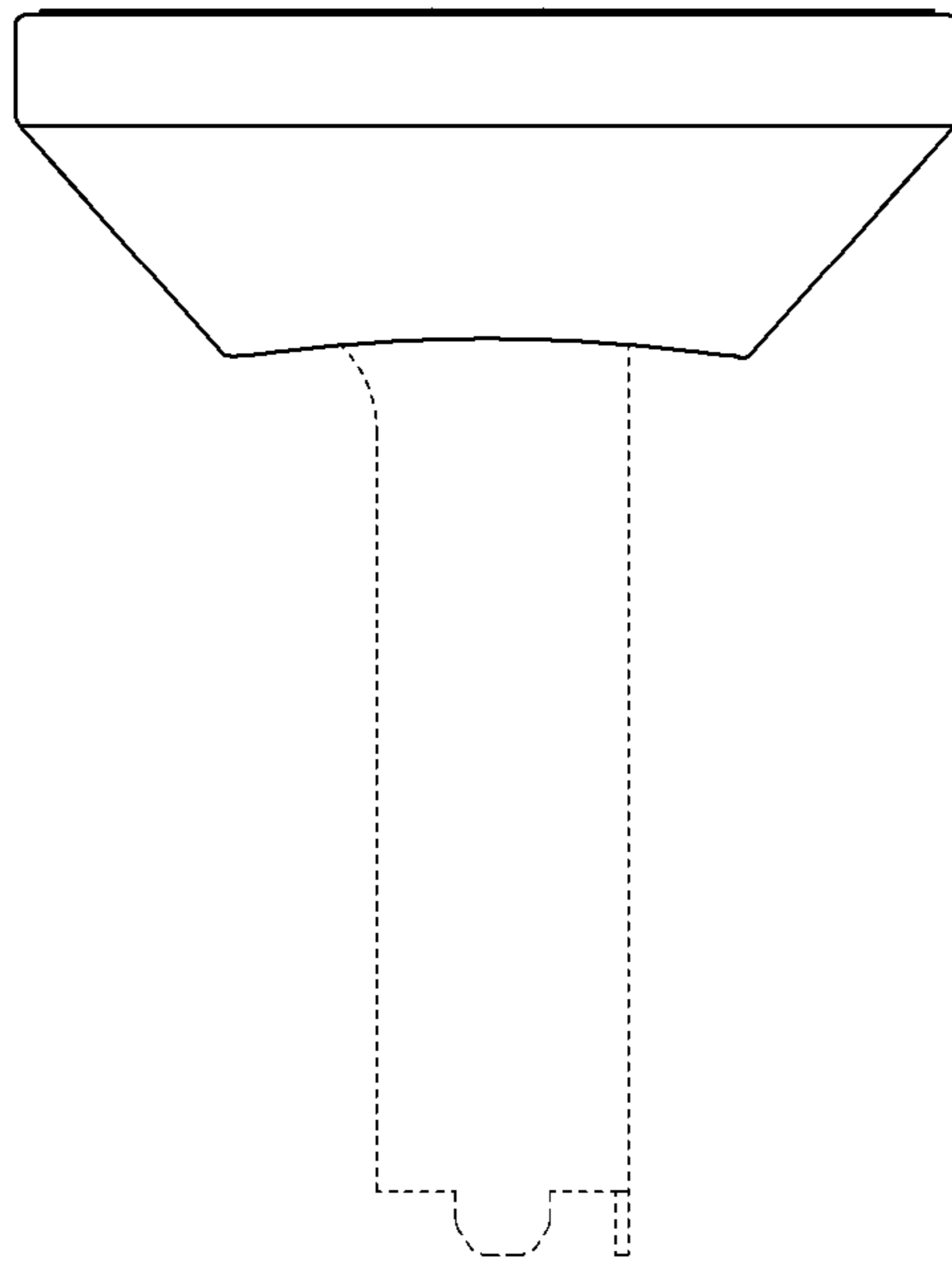


FIG. 6

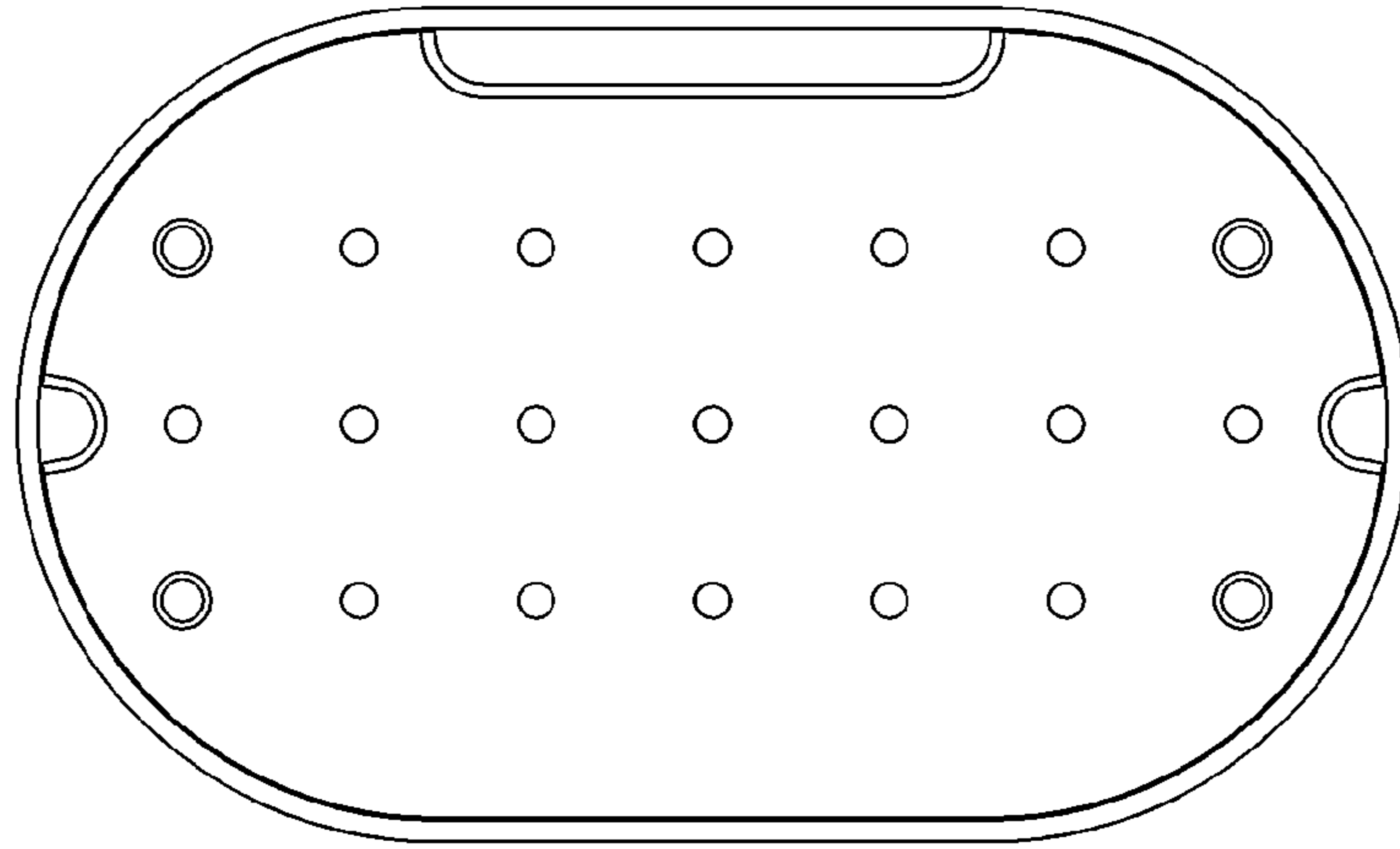


FIG. 7

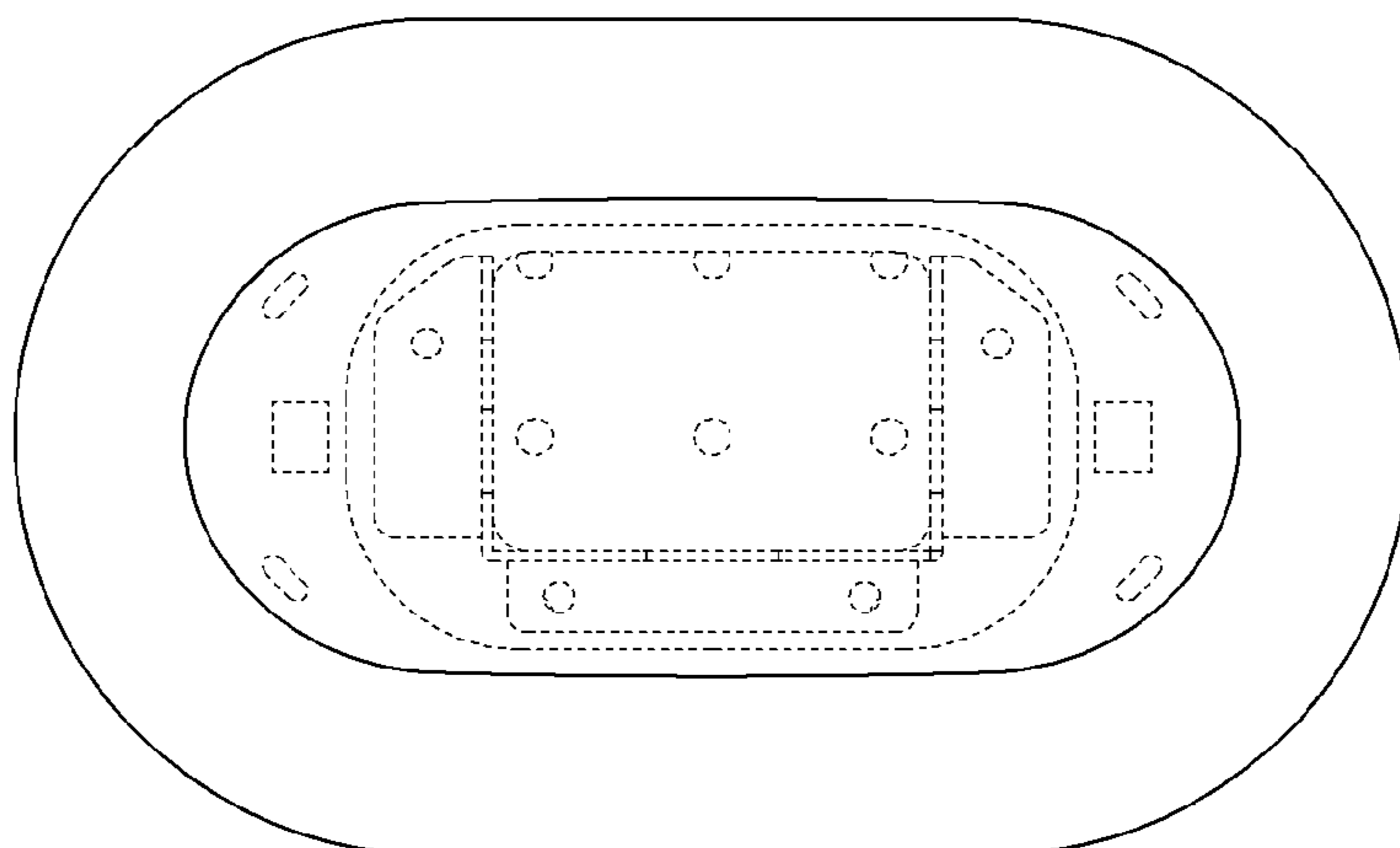


FIG. 8

