

US00D969189S

(12) **United States Design Patent** (10) **Patent No.:** **US D969,189 S**
Son et al. (45) **Date of Patent:** **** Nov. 8, 2022**

(54) **SECURITY GUIDE ROBOT**
(71) Applicant: **LG ELECTRONICS INC.**, Seoul (KR)
(72) Inventors: **Jungkyu Son**, Seoul (KR); **Sunil Cho**, Seoul (KR); **Joohee Son**, Seoul (KR)
(73) Assignee: **LG ELECTRONICS INC.**, Seoul (KR)
(**) Term: **15 Years**
(21) Appl. No.: **29/794,177**
(22) Filed: **Jun. 10, 2021**
(30) **Foreign Application Priority Data**
May 31, 2021 (KR) 30-2021-0025882
(51) **LOC (13) Cl.** **15-99**
(52) **U.S. Cl.**
USPC **D15/199**
(58) **Field of Classification Search**
USPC D15/199; D21/578-583, 621, 622; D32/21; D34/34
CPC B25J 5/007; B25J 11/00; B25J 11/008; B62D 57/024; G06N 3/008; Y10S 901/01
See application file for complete search history.

(56) **References Cited**
U.S. PATENT DOCUMENTS
D712,447 S * 9/2014 He D15/199
D810,167 S * 2/2018 Yang D15/199
D810,800 S * 2/2018 Wang D15/199
D811,458 S * 2/2018 Wang D15/199
D813,285 S * 3/2018 Wei D15/199
D817,375 S * 5/2018 Deyle D15/199
D819,712 S * 6/2018 Gee D15/199
D822,736 S * 7/2018 Kato D15/199
D826,302 S * 8/2018 Tsukamoto D15/199

D829,250 S * 9/2018 Zilbershtein D15/199
D829,793 S * 10/2018 Wang D15/199
D841,067 S * 2/2019 Camporesi D15/199
D855,673 S * 8/2019 Sutherland D15/199
D859,485 S * 9/2019 Sutherland D15/199
D869,533 S * 12/2019 Kim A63H 11/00
D15/199
D870,788 S * 12/2019 Kim A63H 11/00
D15/199
D872,788 S * 1/2020 Sutherland D15/199
D879,174 S * 3/2020 Kammermeier D15/199
D884,764 S * 5/2020 Mori D15/199
D888,790 S * 6/2020 Yao D15/199
D888,791 S * 6/2020 Wu D15/199
D893,570 S * 8/2020 Zheng D15/199
D894,983 S * 9/2020 Okada D15/199
D894,987 S * 9/2020 Li D15/199
D895,709 S * 9/2020 Okada D15/199
D908,151 S * 1/2021 Song D15/199

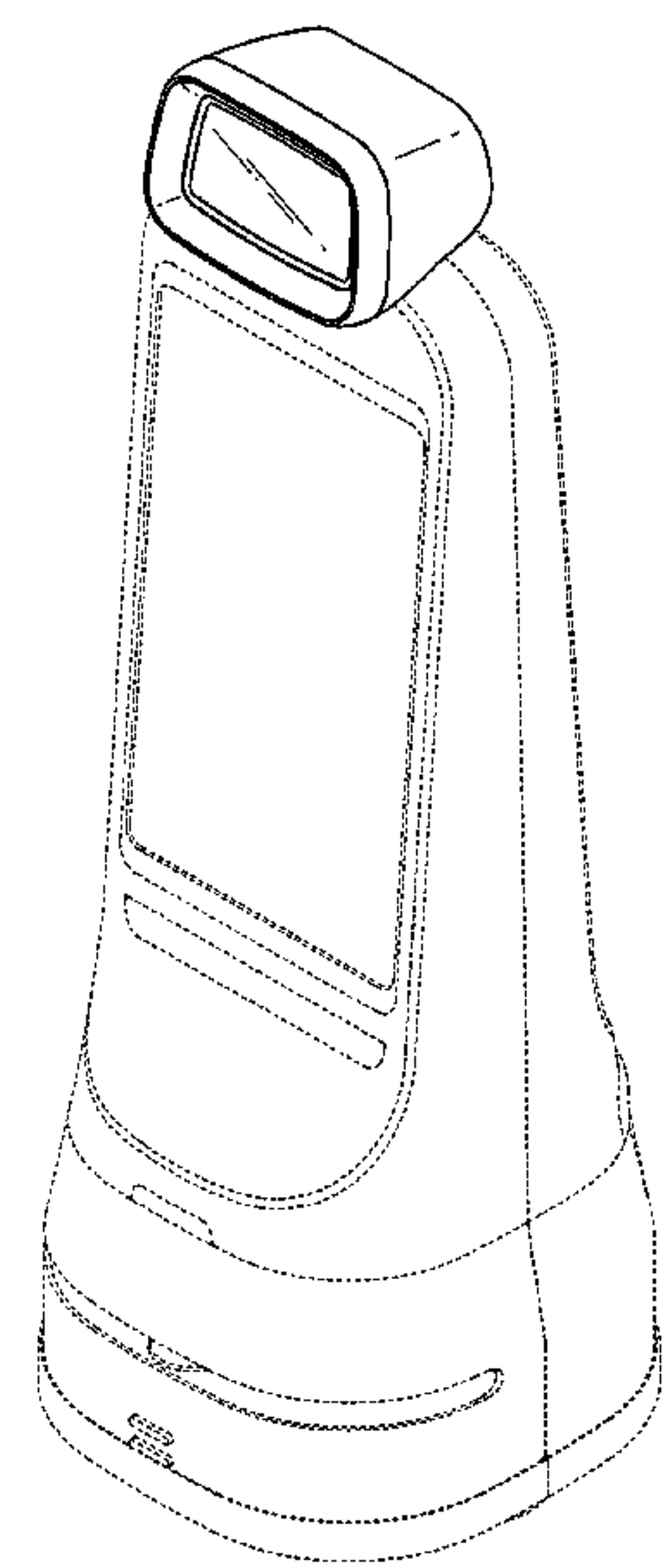
(Continued)

Primary Examiner — Patricia A Palasik
(74) *Attorney, Agent, or Firm* — Birch, Stewart, Kolasch & Birch, LLP

(57) **CLAIM**
The ornamental design for a security guide robot, as shown and described.

DESCRIPTION
FIG. 1 is a front, right side perspective view of a security guide robot showing our new design;
FIG. 2 is a front view thereof;
FIG. 3 is a rear view thereof;
FIG. 4 is a left side view thereof;
FIG. 5 is a right side view thereof;
FIG. 6 is a top view thereof;
FIG. 7 is a bottom view thereof; and,
FIG. 8 is an exploded perspective view.
The broken lines indicate portions of the article that form no part of the claimed design.

1 Claim, 7 Drawing Sheets



(56)

References Cited

U.S. PATENT DOCUMENTS

D912,115	S *	3/2021	Rembisz	D15/199
D919,687	S *	5/2021	Song	D15/199
D920,410	S *	5/2021	Chen	D15/199
D920,411	S *	5/2021	Zheng	D15/199
D921,080	S *	6/2021	Chen	D15/199
D921,082	S *	6/2021	Hernandez	D15/199
D921,083	S *	6/2021	Hernandez	D15/199
D931,921	S *	9/2021	Haddadin	D15/199
D934,932	S *	11/2021	Han	D15/199
D934,933	S *	11/2021	Cho	D15/199
D934,934	S *	11/2021	Park	D15/199
D937,920	S *	12/2021	Gidwell	D15/199
D947,915	S *	4/2022	Li	D15/199
2011/0135189	A1 *	6/2011	Lee	G05D 1/0295
				901/1
2014/0074287	A1 *	3/2014	LaFary	G05B 19/4061
				700/253
2015/0073589	A1 *	3/2015	Khodl	B65G 1/1375
				700/218
2017/0337506	A1 *	11/2017	Wise	B65G 67/04

* cited by examiner

FIG. 1

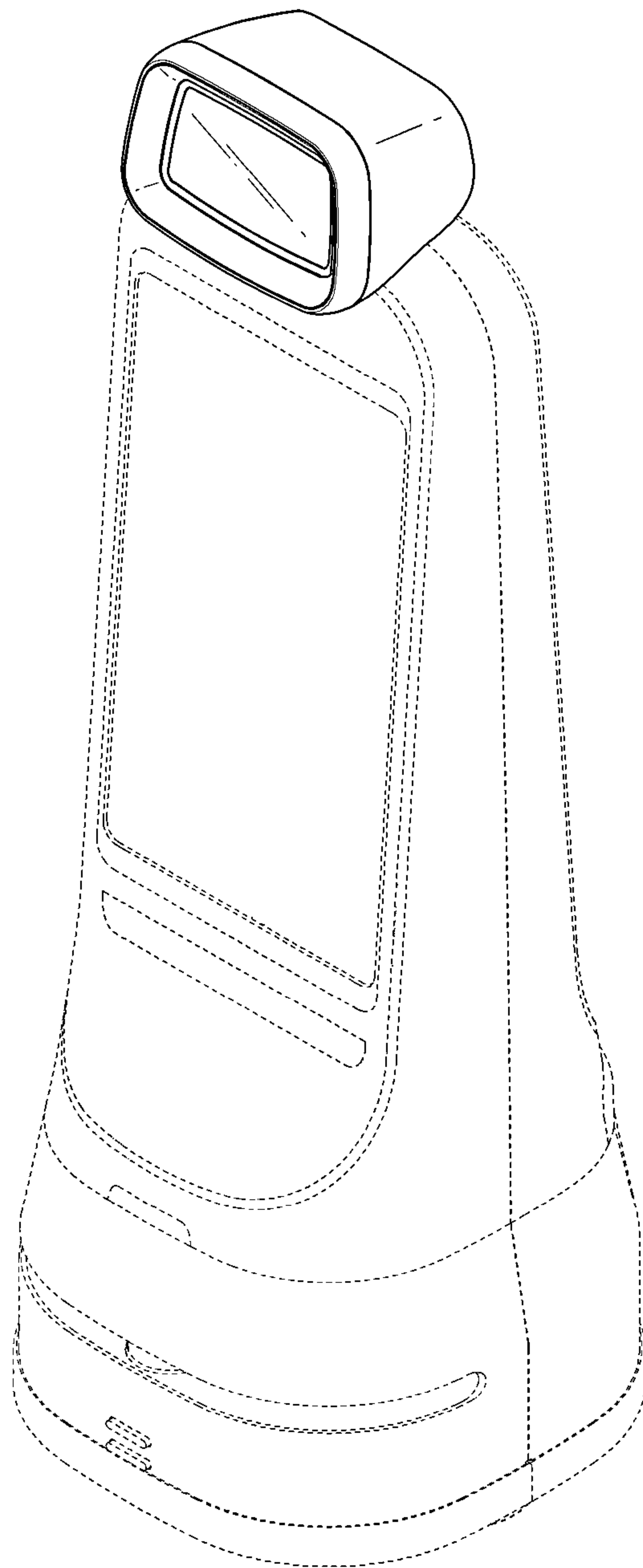


FIG. 2

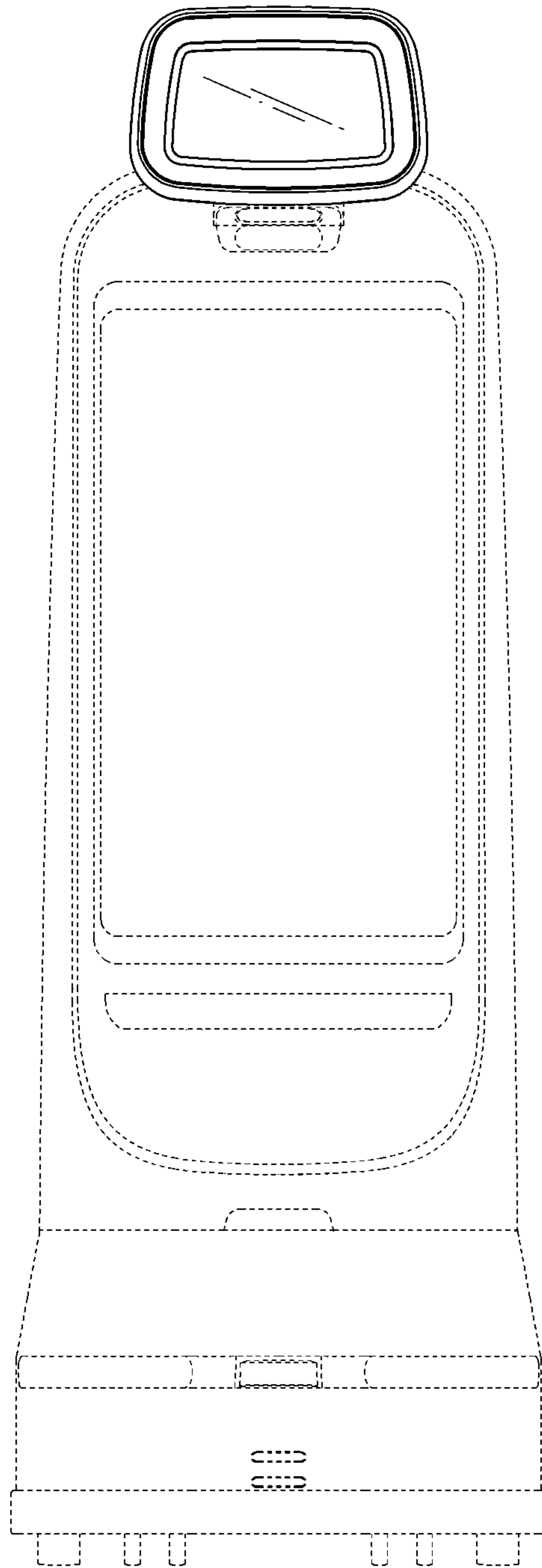


FIG. 3

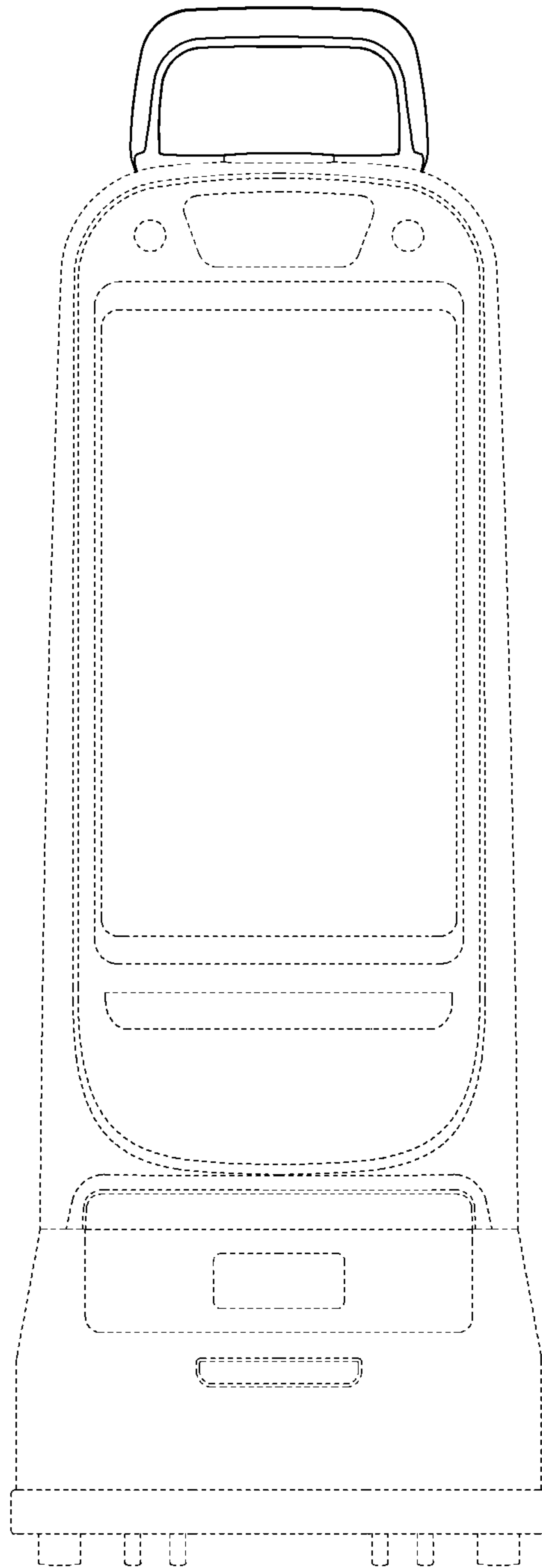


FIG. 4

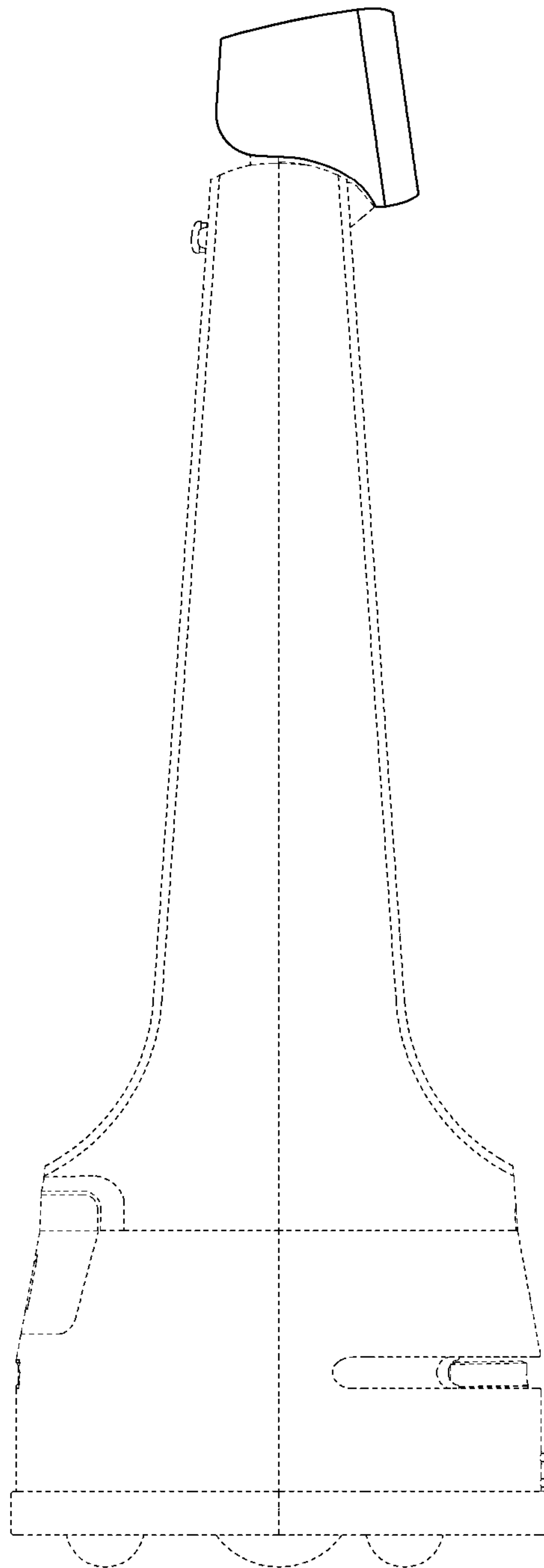


FIG. 5

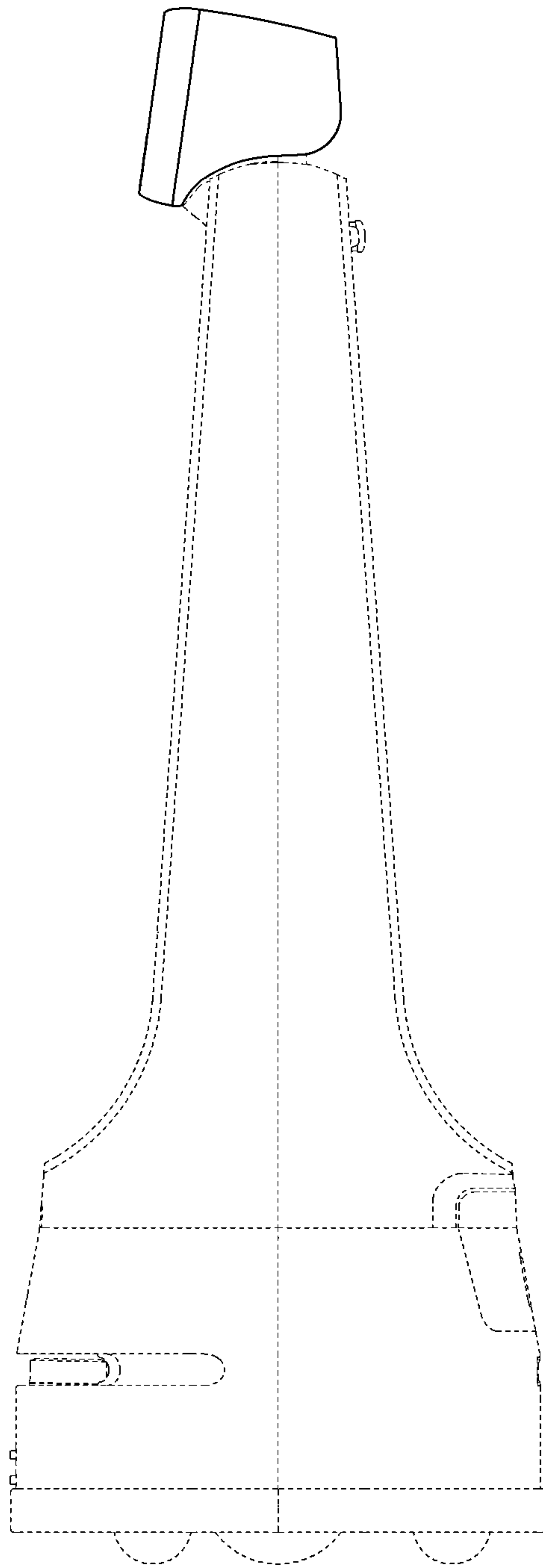


FIG. 6

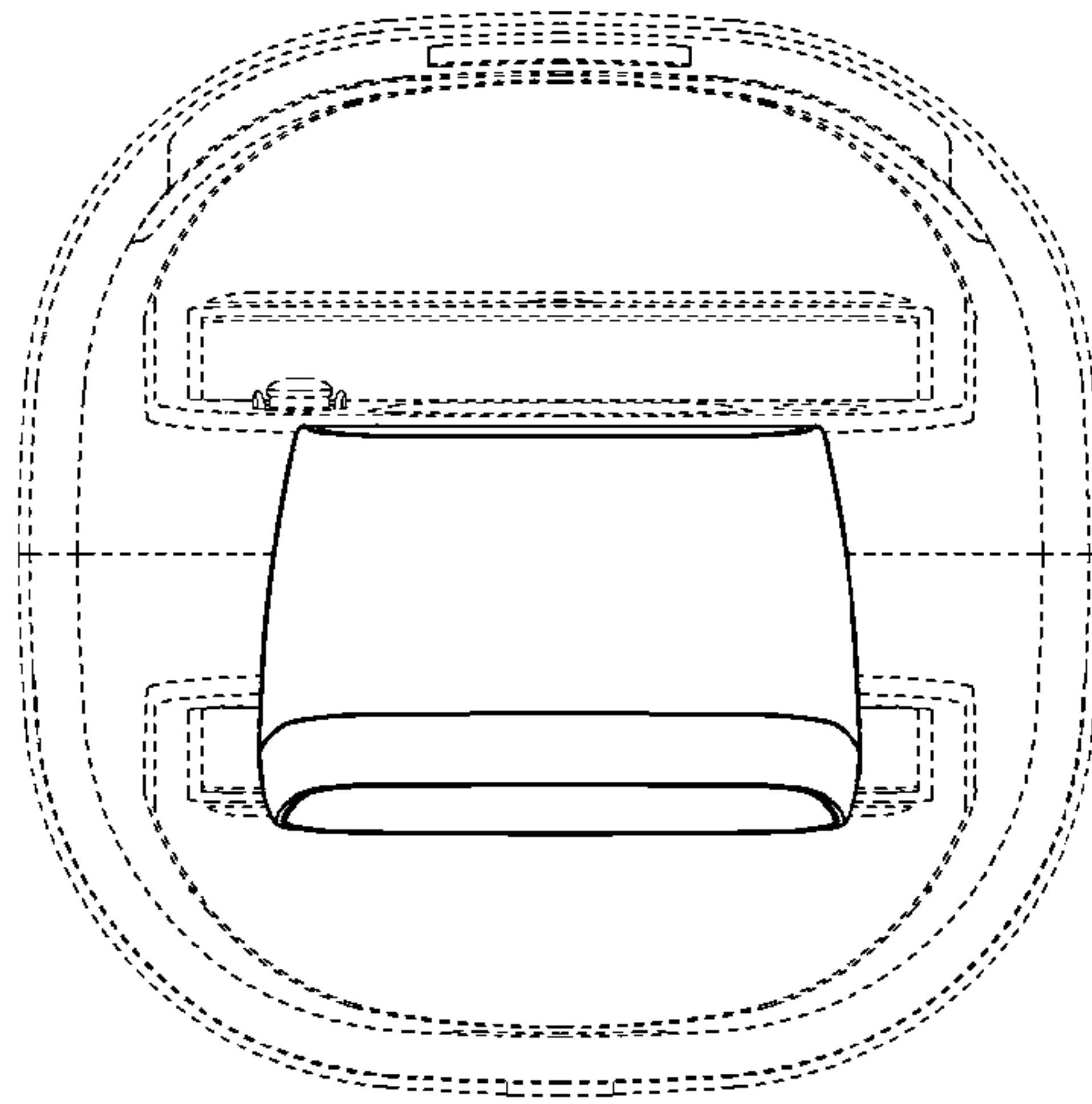


FIG. 7

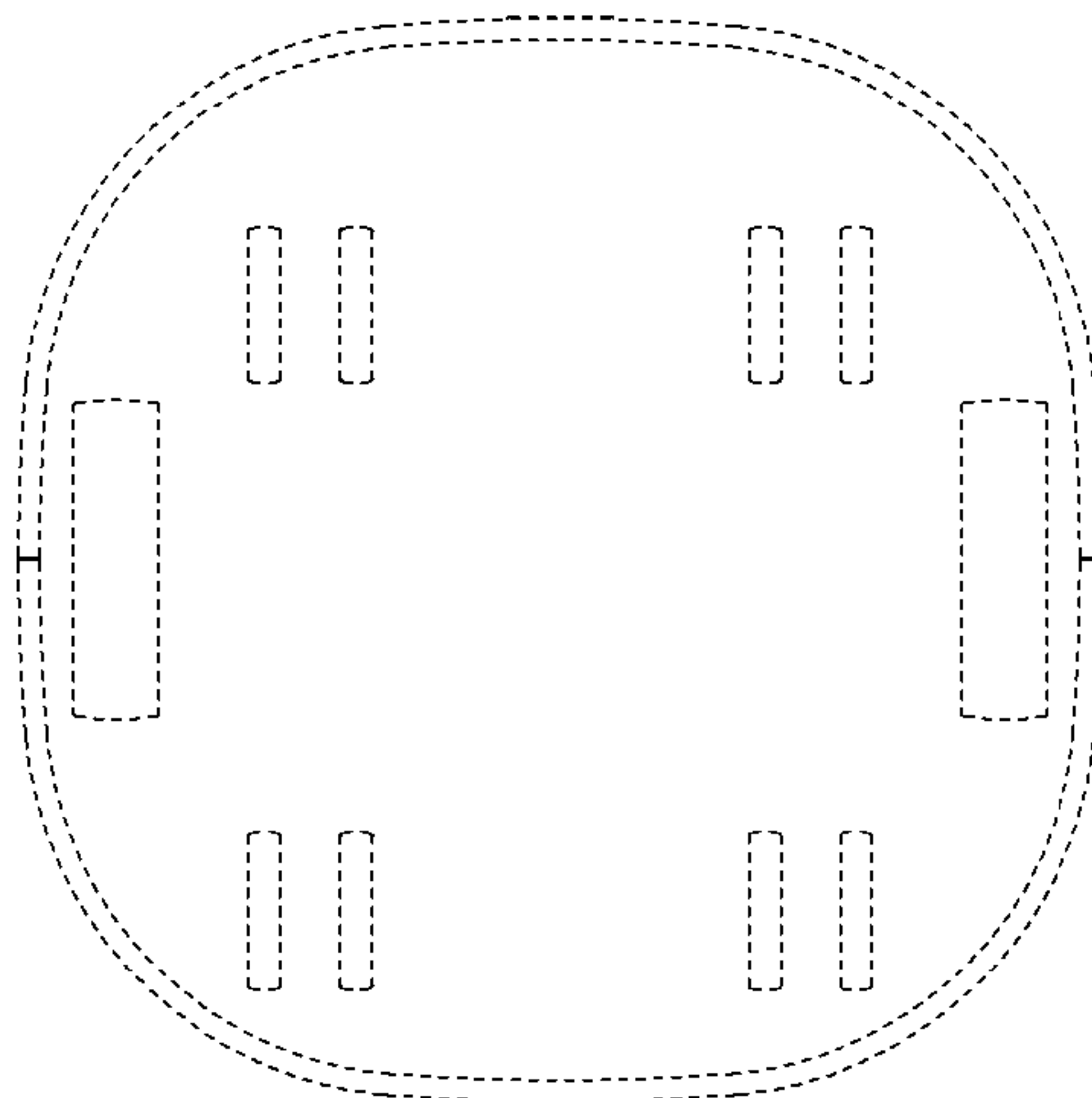


FIG. 8

