



US00D969188S

(12) **United States Design Patent**
Zhou

(10) **Patent No.:** **US D969,188 S**

(45) **Date of Patent:** **** Nov. 8, 2022**

(54) **MUG PRESS**

(71) Applicant: **Loudi Yuanfa Technology Co., Ltd.**,
Hunan (CN)

(72) Inventor: **Ding Zhou**, Hunan (CN)

(73) Assignee: **Loudi Yuanfa Technology Co., Ltd.**,
Hunan (CN)

(**) Term: **15 Years**

(21) Appl. No.: **29/838,859**

(22) Filed: **May 16, 2022**

(51) **LOC (13) Cl.** **15-99**

(52) **U.S. Cl.**
USPC **D15/146**; D15/122; D15/144

(58) **Field of Classification Search**
USPC D7/336, 337, 352, 356, 362, 602;
D15/122, 123, 144, 146; D18/50, 53
CPC .. B41F 16/00; B41F 16/0026; B41F 16/0093;
B41F 1/38; B30B 15/047; B30B 15/061;
B30B 15/064; B30B 15/34; B41M 1/34;
B41M 1/40; B41M 5/03; B41M 5/035;
B44C 1/1712; B44C 1/1716

See application file for complete search history.

(56) **References Cited**

U.S. PATENT DOCUMENTS

D250,896 S *	1/1979	Huber	600/490
4,595,607 A *	6/1986	Betteridge	B29C 63/0069 427/195
D298,167 S *	10/1988	Schaffer	D24/165
D328,130 S *	7/1992	Claxton, III	D24/165
D341,658 S *	11/1993	Kojima	D24/165
D353,604 S *	12/1994	Prokop	D15/146
D557,717 S *	12/2007	Chen	D15/144
D587,069 S *	2/2009	Bodum	
D616,098 S *	5/2010	Shibata	D24/165

D868,125 S *	11/2019	Shu	D15/144
D935,501 S *	11/2021	Li	D15/146
D947,262 S *	3/2022	Chen	D15/144.1
D955,080 S *	6/2022	Guo	D32/70
2004/0244617 A1 *	12/2004	Eppinger	B41F 15/12 101/287
2014/0295100 A1 *	10/2014	Baskerville	B05D 3/0281 118/620

OTHER PUBLICATIONS

Realkant, Tumbler Heat Press Machine, (first available Aug. 1, 2022), Amazon.com, URL:<<https://www.amazon.com/Realkant-Tumbler-Sublimation-Straight-Tumblers/dp/B0B4RZQ1P7>> (Year: 2022).*

(Continued)

Primary Examiner — Calvin E Vansant

Assistant Examiner — Mark T. Philipps

(74) *Attorney, Agent, or Firm* — ScienBiziP, P.C.

(57) **CLAIM**

The ornamental design for a mug press, as shown and described.

DESCRIPTION

FIG. 1 is a front, left and top perspective view of a mug press, showing my design.

FIG. 2 is a rear, right and bottom perspective view thereof.

FIG. 3 is a front elevation view thereof.

FIG. 4 is a rear elevation view thereof.

FIG. 5 is a left side elevation view thereof.

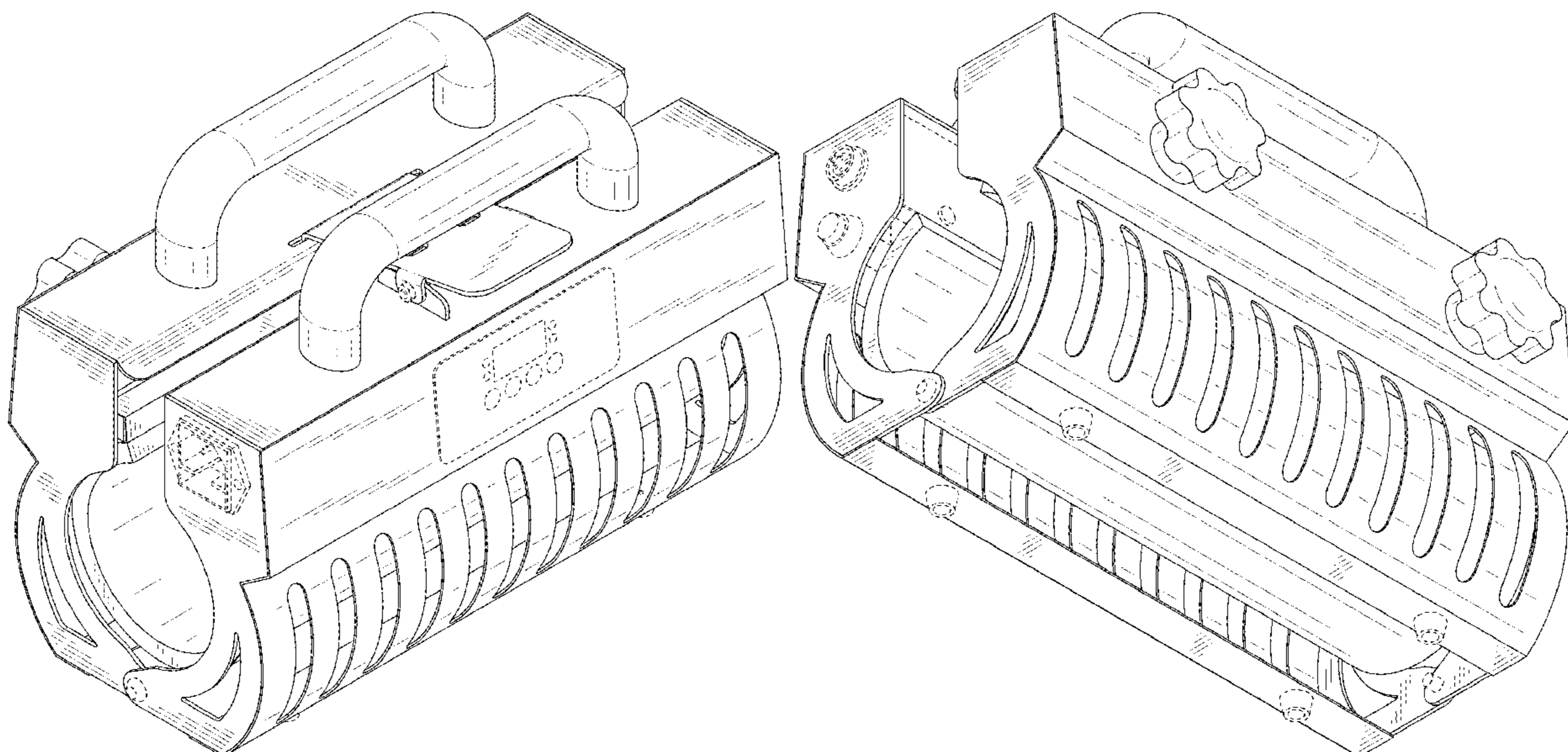
FIG. 6 is a right side elevation view thereof.

FIG. 7 is a top plan view thereof; and,

FIG. 8 is a bottom plan view thereof.

The broken lines shown in the drawings are included for the purpose of illustrating portions of the mug press that form no part of the claimed design.

1 Claim, 8 Drawing Sheets



(56)

References Cited

OTHER PUBLICATIONS

Tiqtak, Tumbler Heat Press Machine, (first available May 23, 2022), Amazon.com, URL:<<https://www.amazon.com/dp/B0B1ZQB6S4>> (Year: 2022).*

FindColor, Tumbler Heat Press, (first available Jan. 24, 2022), Amazon.com, URL:<<https://www.amazon.com/dp/B09R26PRXC>> (Year: 2022).*

* cited by examiner

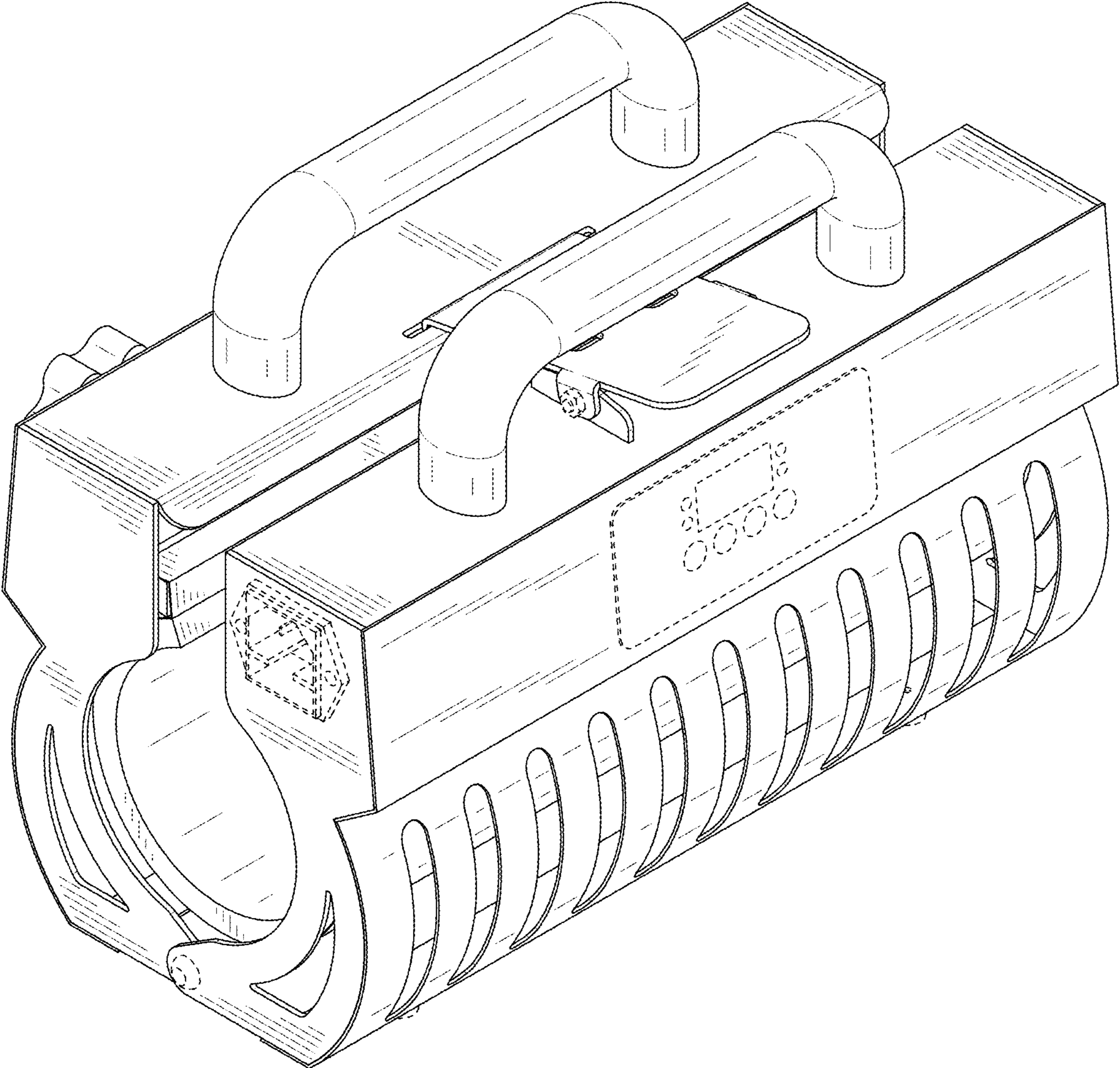


FIG. 1

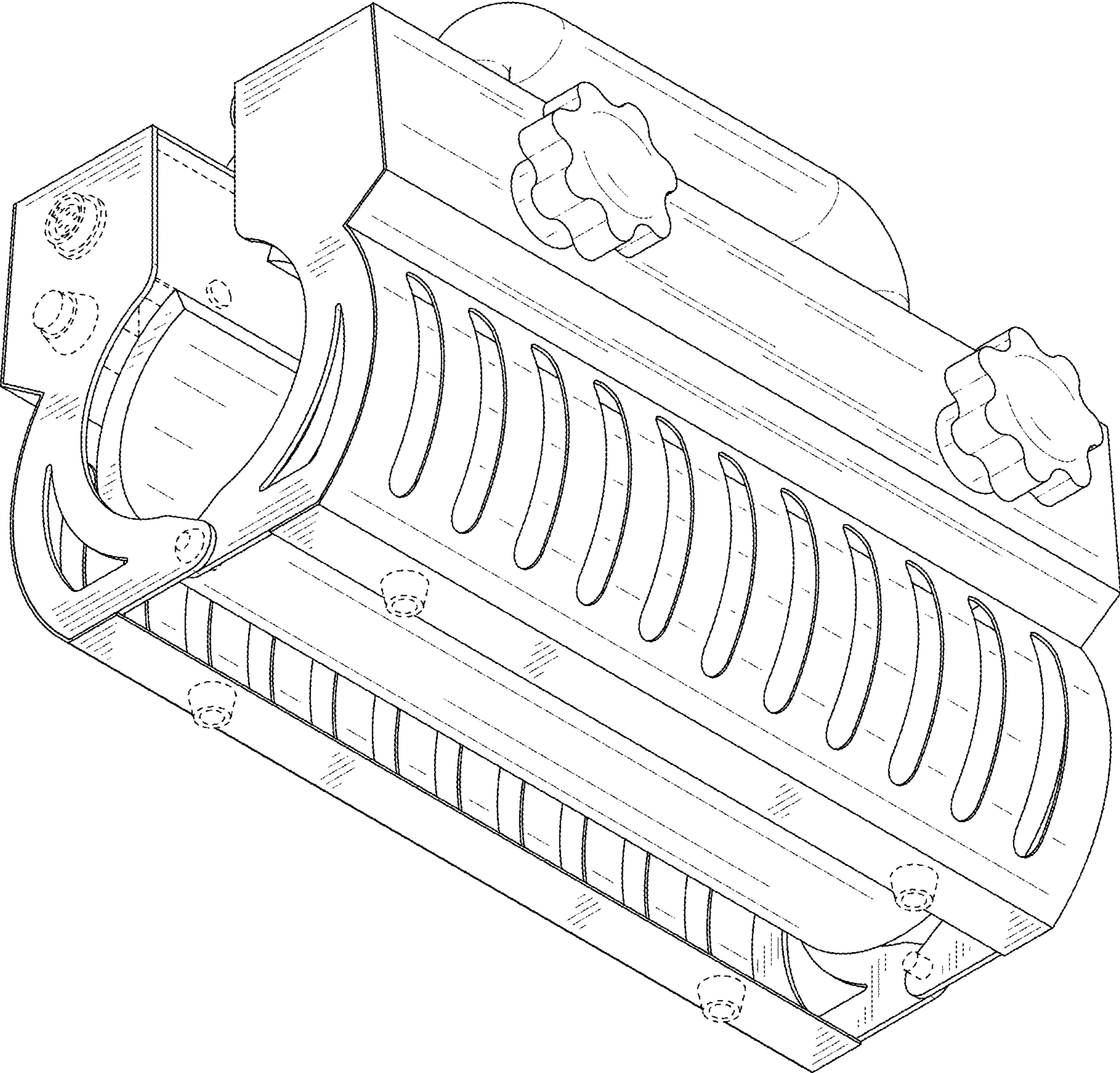


FIG. 2

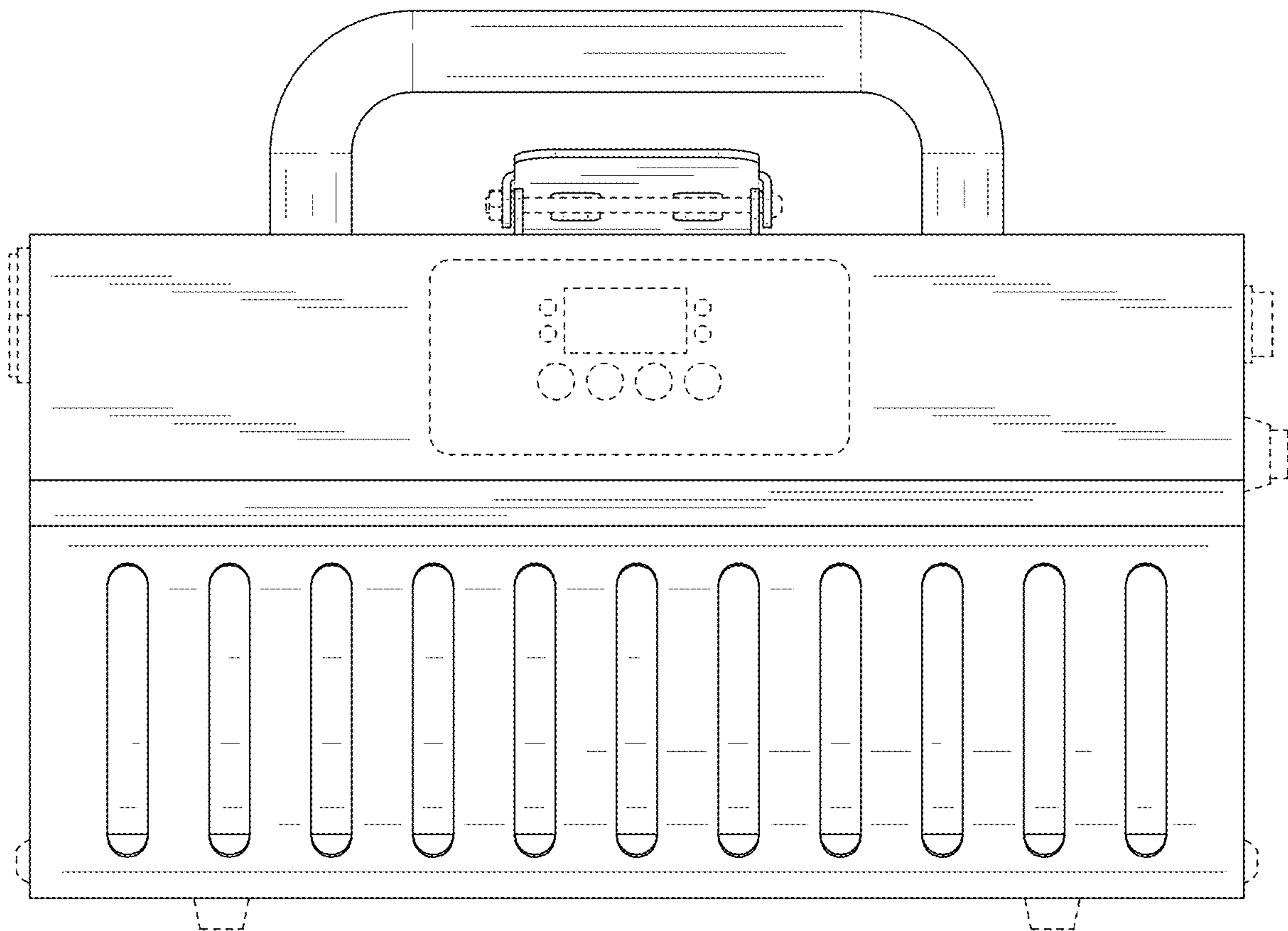


FIG. 3

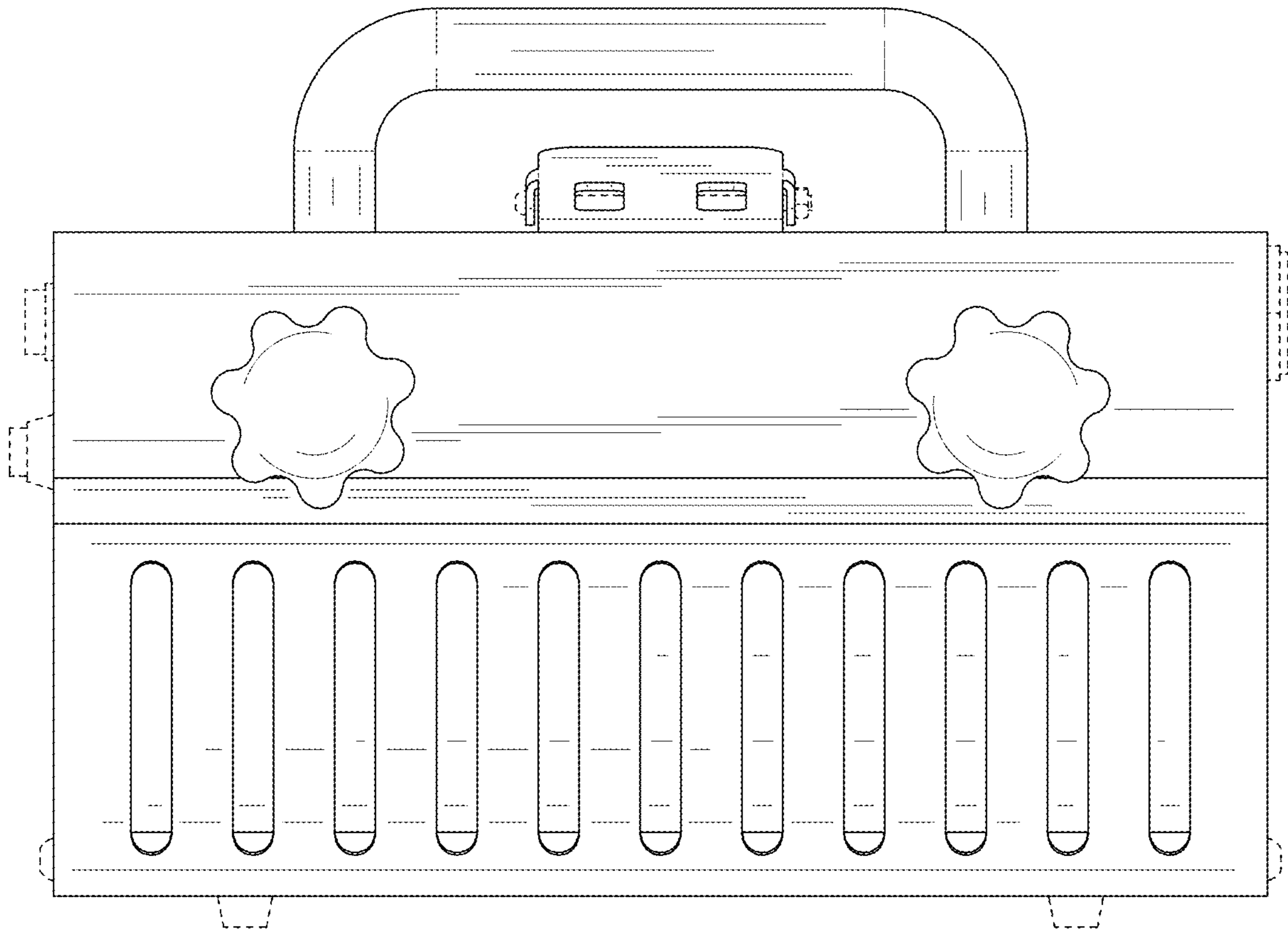


FIG. 4

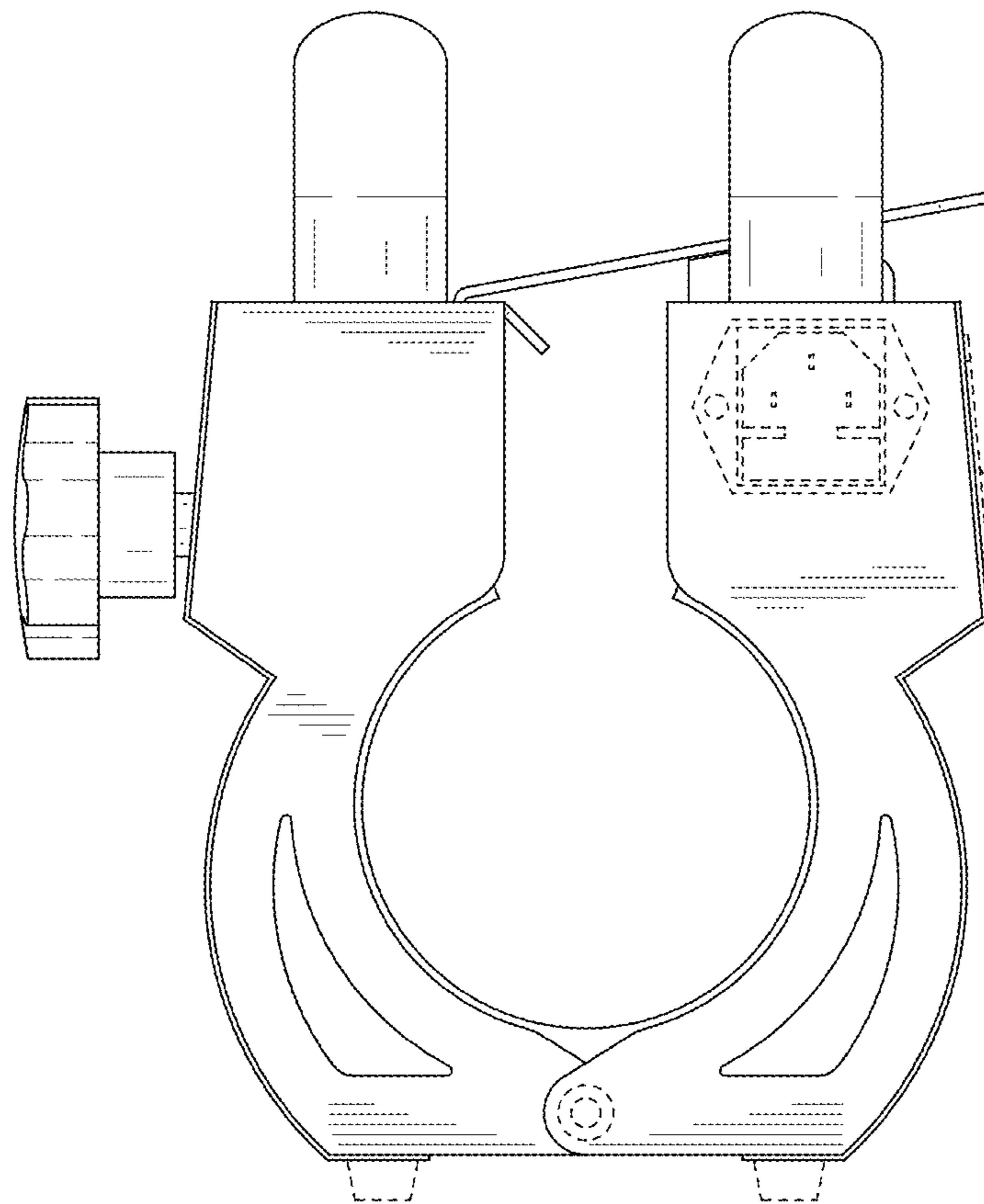


FIG. 5

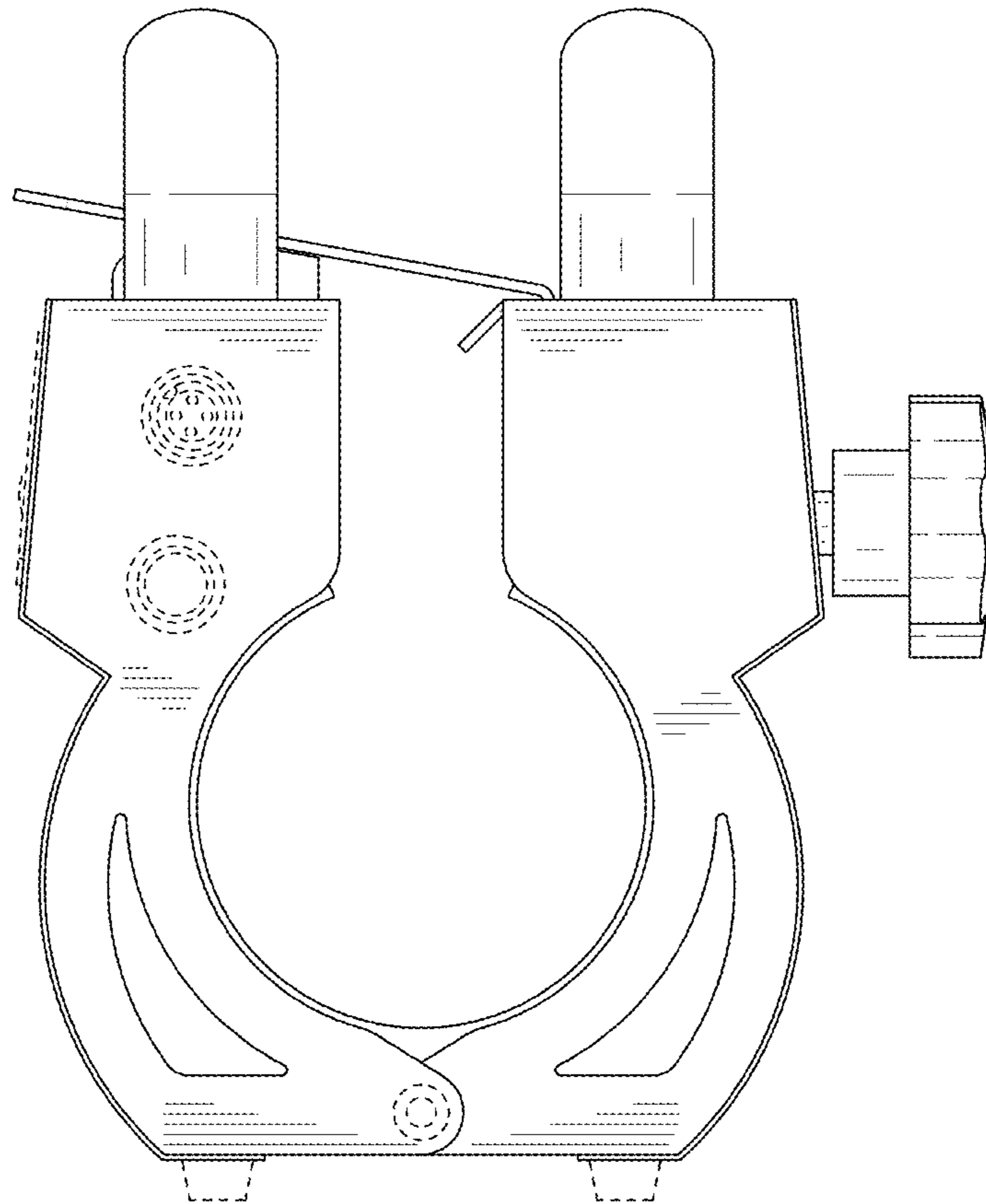


FIG. 6

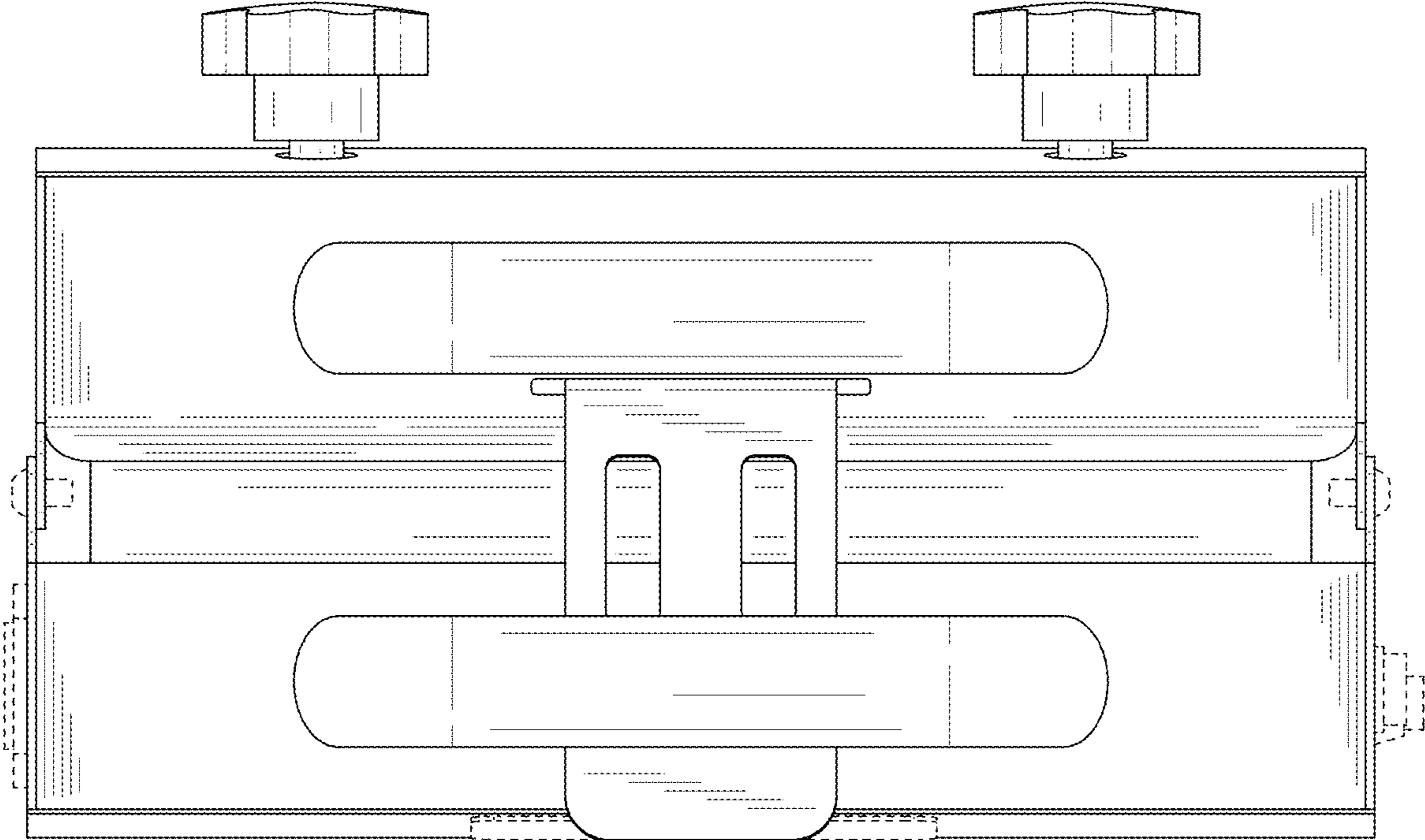


FIG. 7

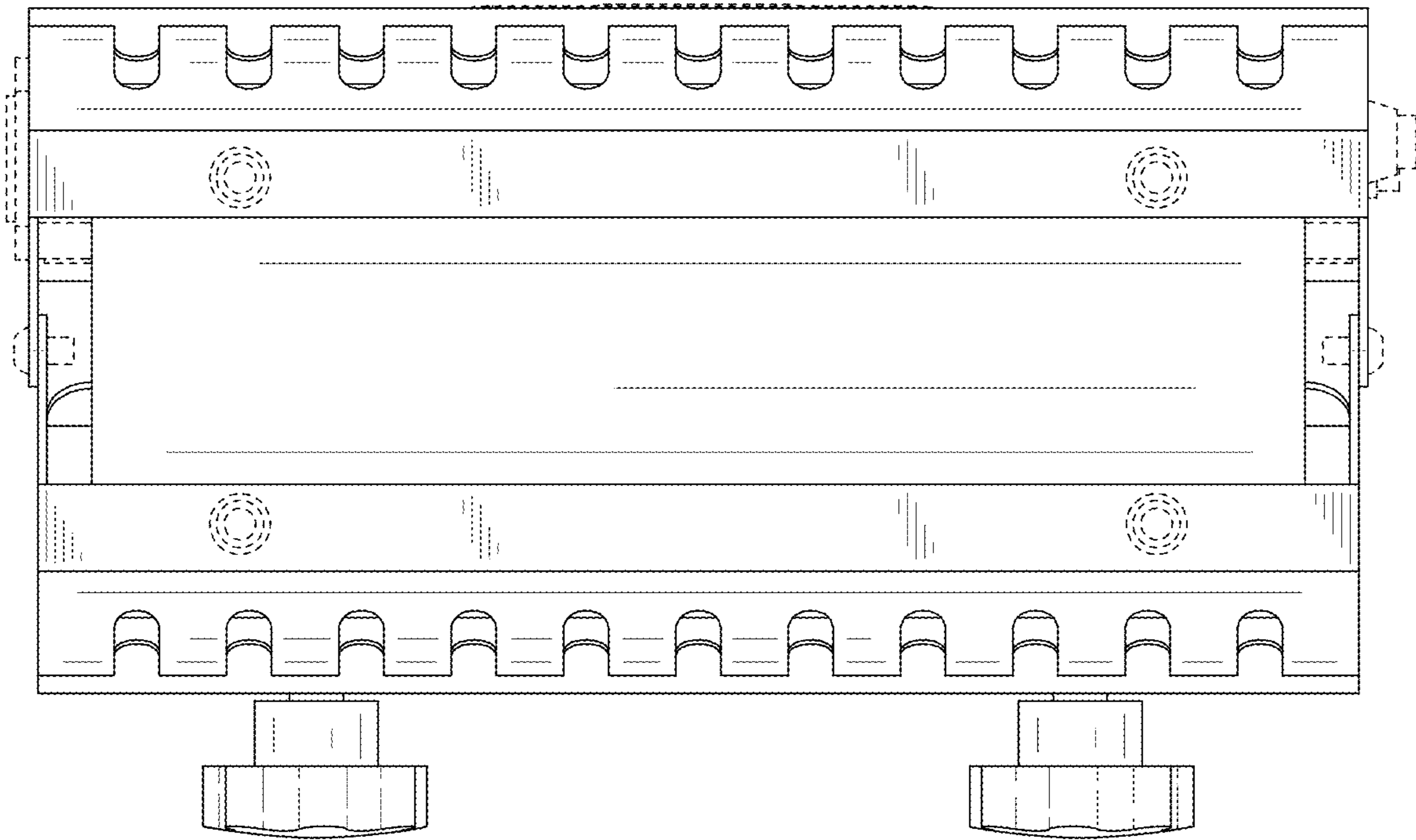


FIG. 8