

US00D969187S

(12) **United States Design Patent**
Chang

(10) **Patent No.:** **US D969,187 S**

(45) **Date of Patent:** **** Nov. 8, 2022**

(54) **HANDHELD RAPID HEATING DEVICE FOR CUTTING AND ADHERING PLASTIC THIN FILM**

(71) Applicant: **BRAVO INTERNATIONAL MANAGEMENT LTD.**, New Taipei (TW)

(72) Inventor: **Richard Chang**, New Taipei (TW)

(73) Assignee: **BRAVO INTERNATIONAL MANAGEMENT LTD.**, New Taipei (TW)

(**) Term: **15 Years**

(21) Appl. No.: **29/759,381**

(22) Filed: **Nov. 23, 2020**

(30) **Foreign Application Priority Data**

Jun. 2, 2020 (CN) 202030268762.6

(51) **LOC (13) Cl.** **15-09**

(52) **U.S. Cl.**
USPC **D15/146**

(58) **Field of Classification Search**
USPC D8/50; D15/145, 146
CPC B65B 53/02; B65B 61/06
See application file for complete search history.

(56) **References Cited**

U.S. PATENT DOCUMENTS

D365,737 S * 1/1996 Chou D8/30
D401,950 S * 12/1998 Chou D15/146
6,064,038 A * 5/2000 Chou B29C 66/8161
219/233
D454,894 S * 3/2002 Chou D15/146

6,919,537 B2 * 7/2005 Chang B29C 66/8221
219/243
D528,137 S * 9/2006 Huang D15/146
D542,315 S * 5/2007 Chang D15/146
D649,990 S * 12/2011 Corbell D15/143
D812,662 S * 3/2018 Chang D15/146
D823,913 S * 7/2018 Chou D15/146
D823,914 S * 7/2018 Chang D15/146
D845,370 S * 4/2019 Chang D15/146
D912,712 S * 3/2021 Chen D15/146
D936,717 S * 11/2021 Chen D15/146
D943,651 S * 2/2022 Chang D15/146
2019/0291906 A1 * 9/2019 Michie B65D 81/2038
2021/0339900 A1 * 11/2021 Chang B65B 53/02

* cited by examiner

Primary Examiner — Patricia A Palasik

(74) *Attorney, Agent, or Firm* — Bacon & Thomas, PLLC

(57) **CLAIM**

I claim the ornamental design for a handheld rapid heating device for cutting and adhering plastic thin film, as shown and described.

DESCRIPTION

FIG. 1 is a first perspective view of a handheld rapid heating device for cutting and adhering plastic thin film showing my new design;

FIG. 2 is a second perspective view thereof;

FIG. 3 is a third perspective view thereof;

FIG. 4 is a fourth perspective view thereof;

FIG. 5 is a front view thereof;

FIG. 6 is a rear view thereof;

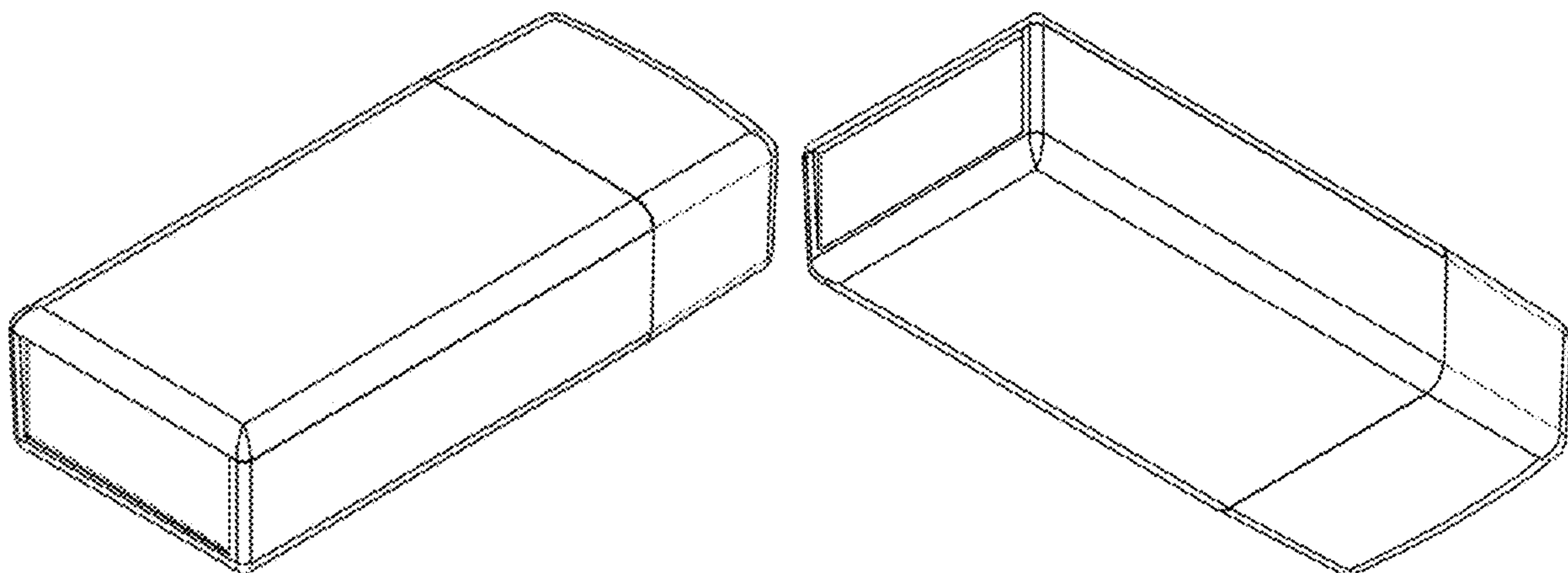
FIG. 7 is a left side view thereof;

FIG. 8 is a right side view thereof;

FIG. 9 is a top plan view thereof; and,

FIG. 10 is a bottom plan view thereof.

1 Claim, 4 Drawing Sheets



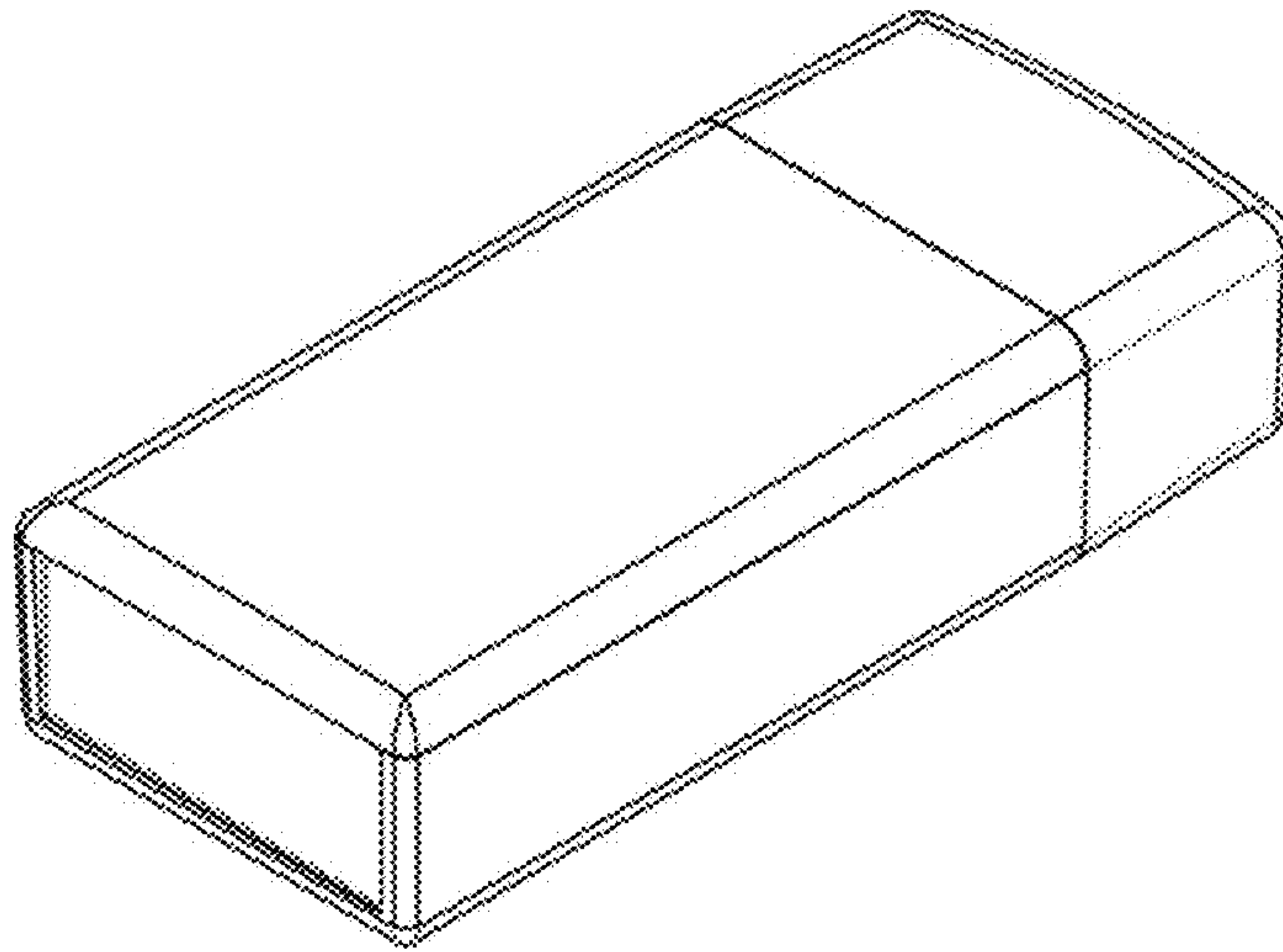


FIG. 1

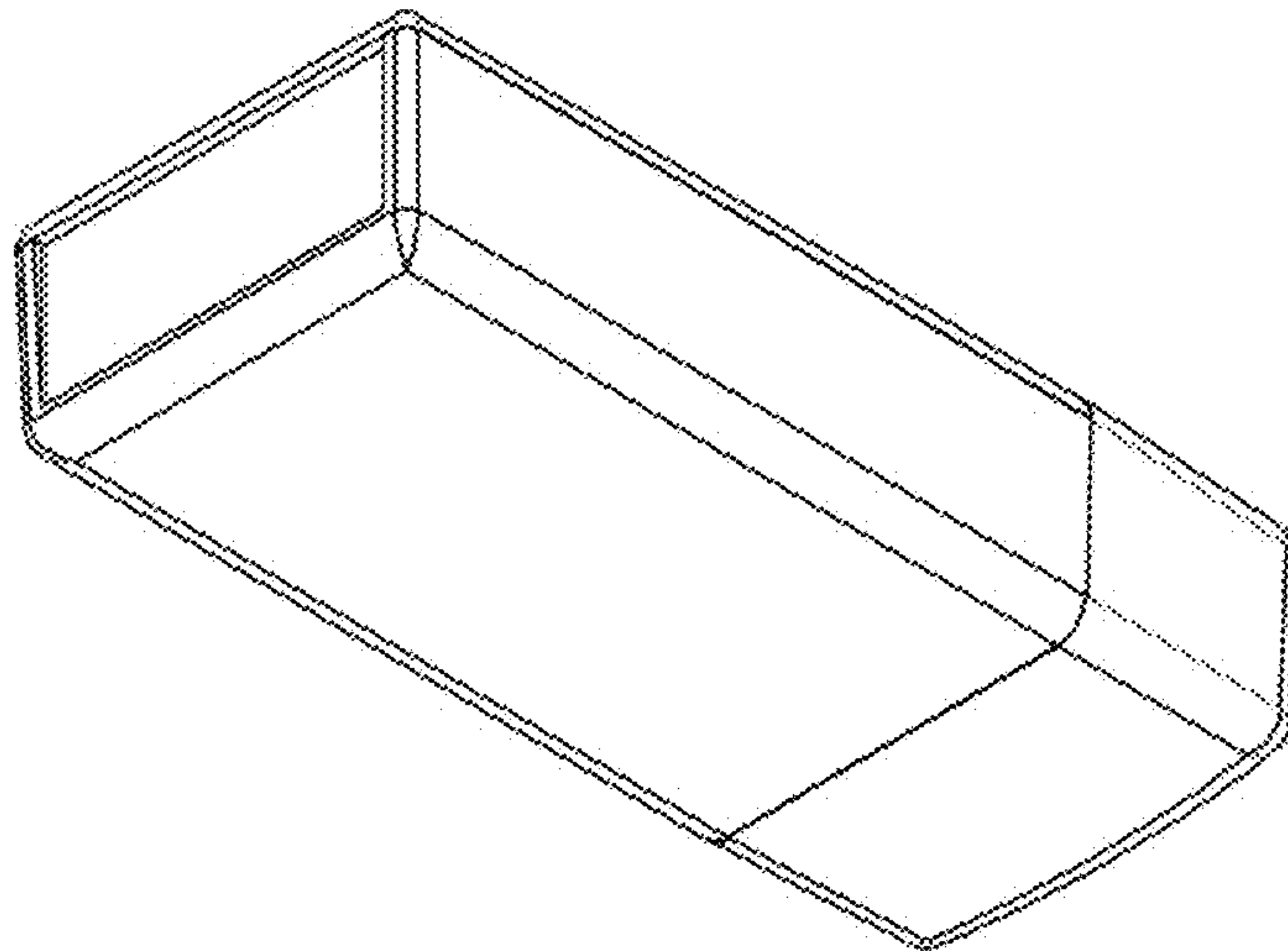


FIG. 2

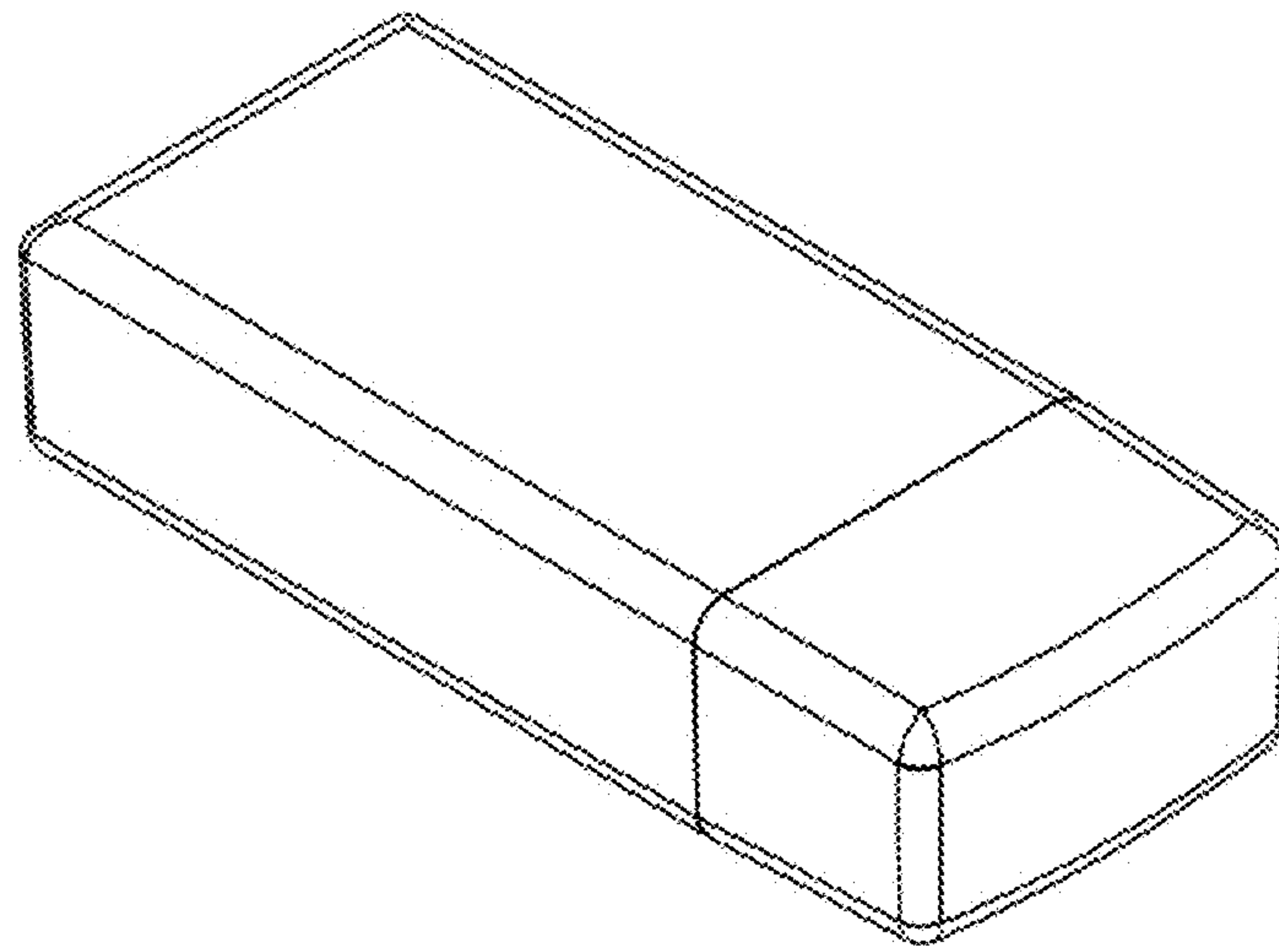


FIG. 3

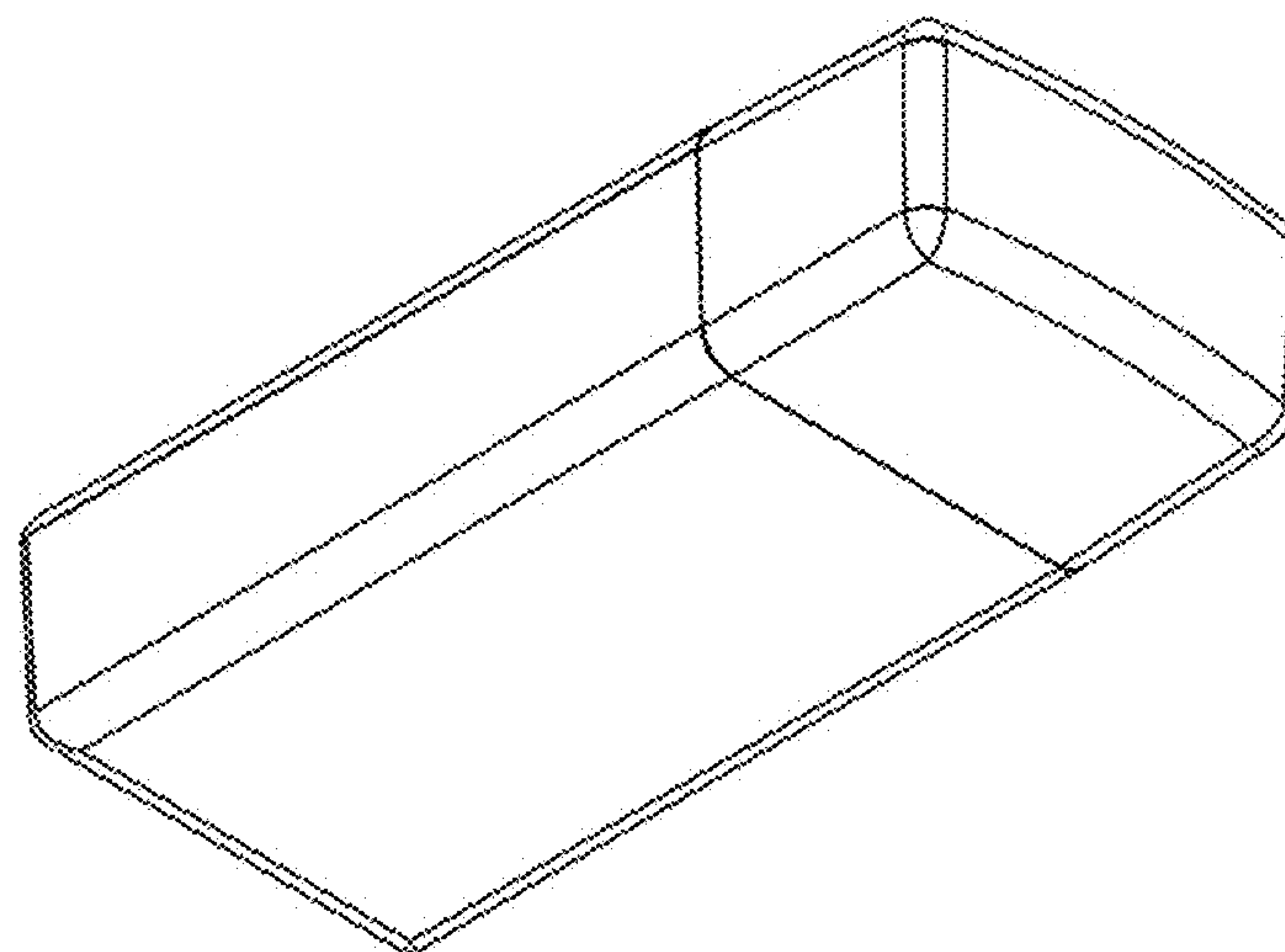


FIG. 4

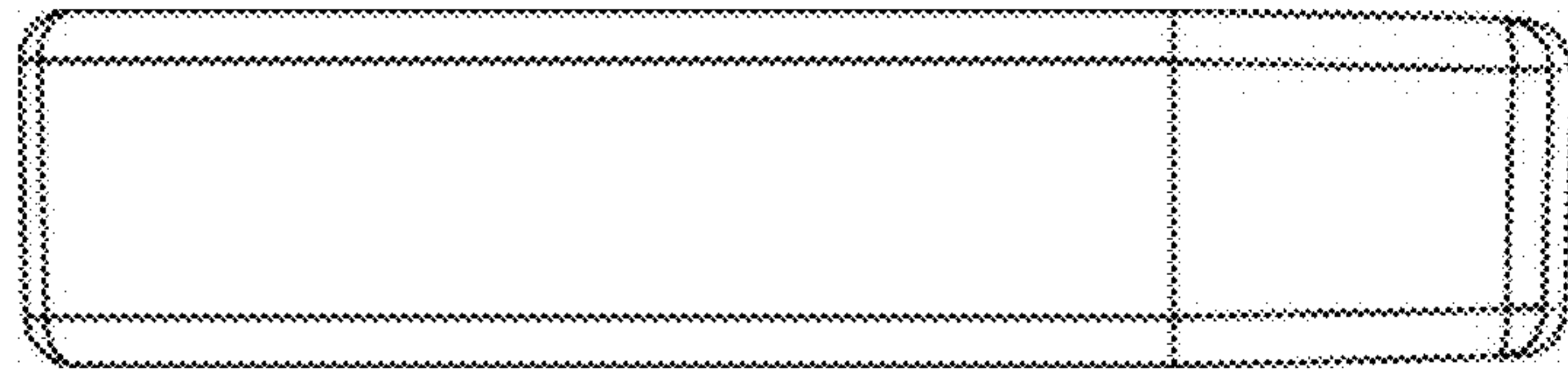


FIG. 5

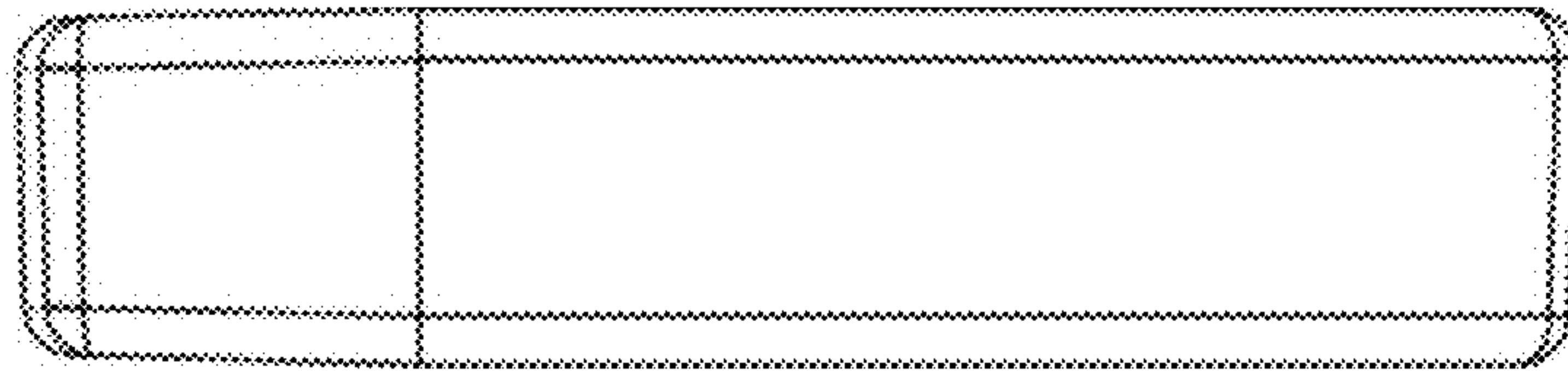


FIG. 6

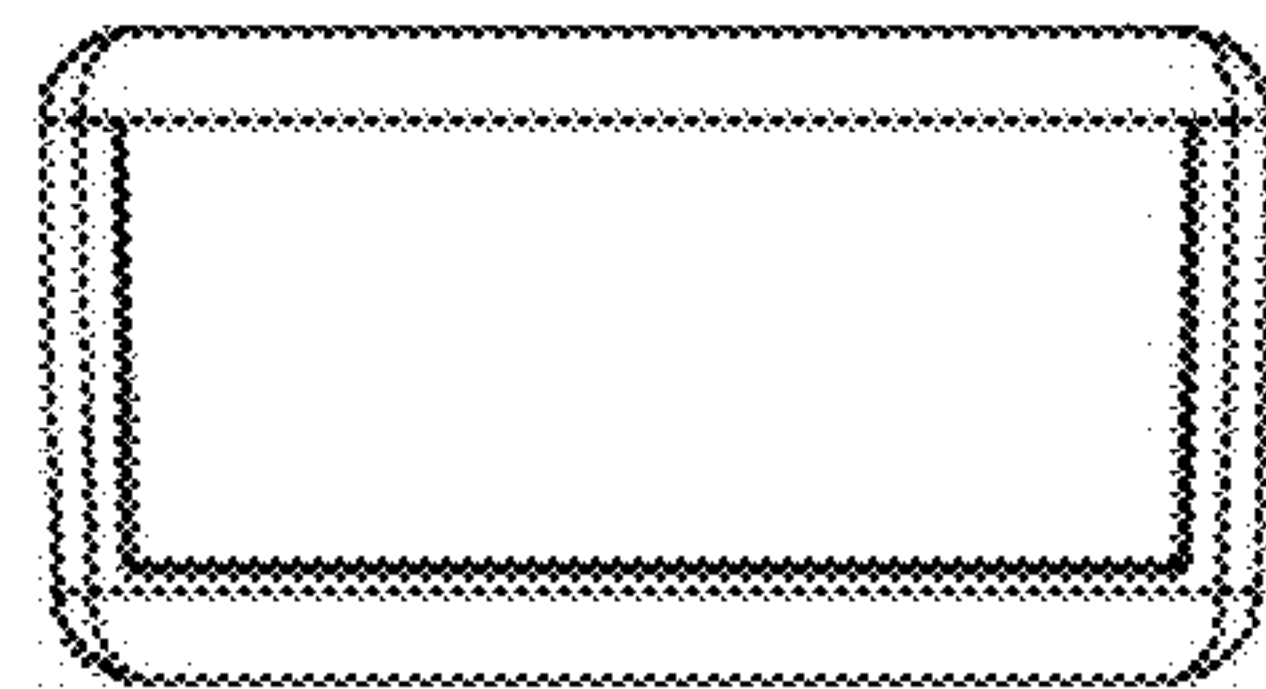


FIG. 7

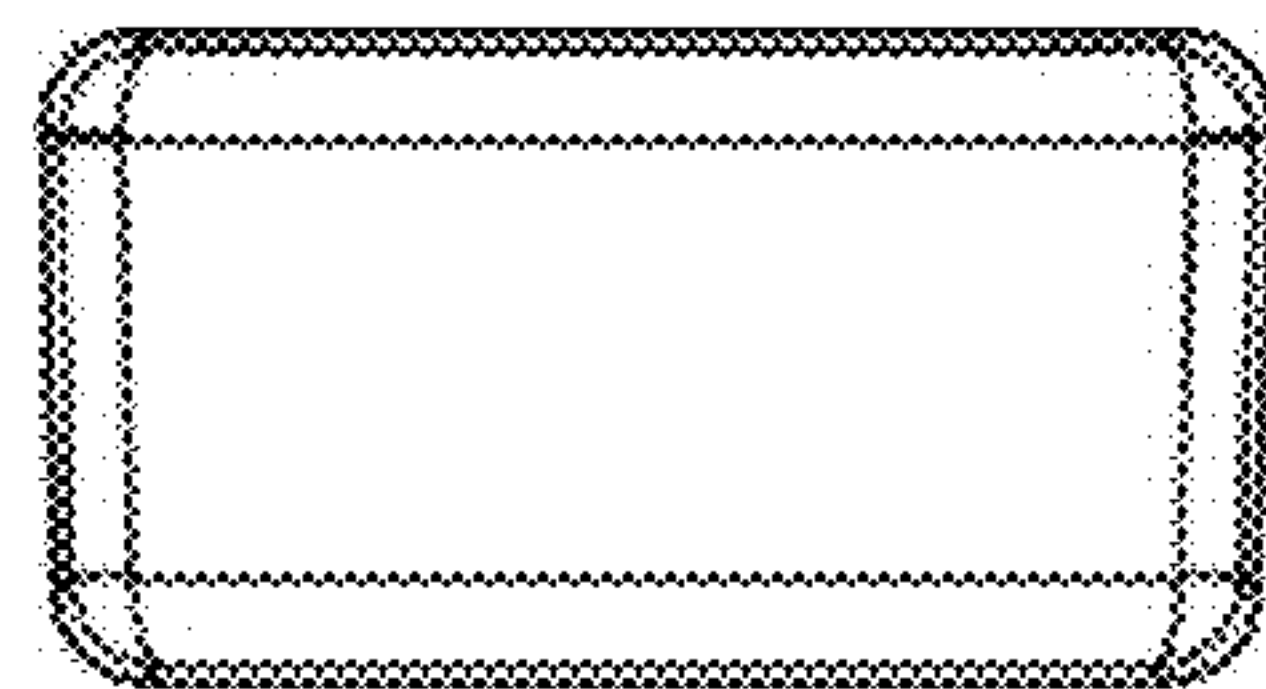


FIG. 8



FIG. 9

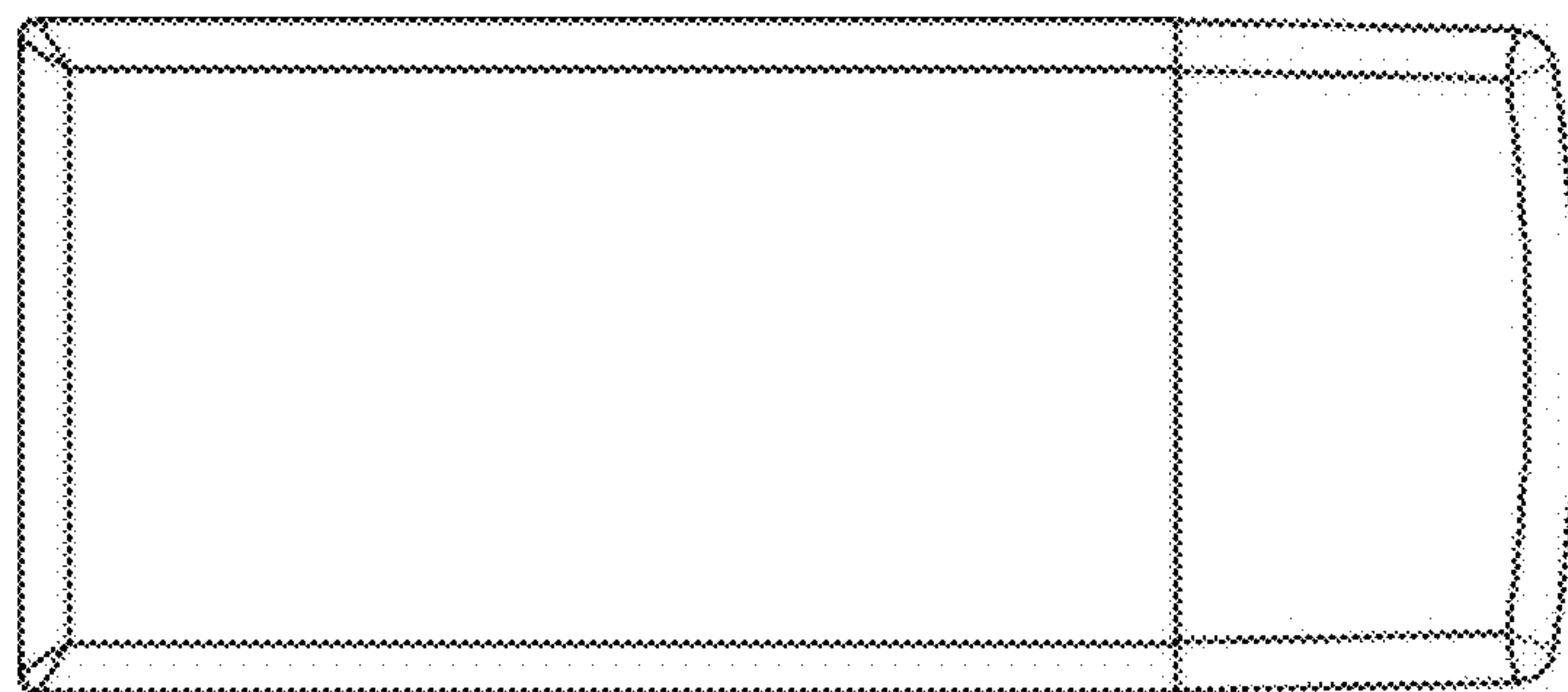


FIG. 10