



US00D969186S

(12) **United States Design Patent**  
**Wang**

(10) **Patent No.:** **US D969,186 S**

(45) **Date of Patent:** **\*\* Nov. 8, 2022**

- (54) **PLASTIC WELDER**
- (71) Applicant: **Gillsen Internet Technology Company Limited, Hong Kong (CN)**
- (72) Inventor: **Hailun Wang, Heze (CN)**
- (\*\*) Term: **15 Years**
- (21) Appl. No.: **29/845,367**
- (22) Filed: **Jul. 7, 2022**
- (51) **LOC (13) Cl.** ..... **15-09**
- (52) **U.S. Cl.**  
USPC ..... **D15/144; D8/30**
- (58) **Field of Classification Search**  
USPC ..... D8/29.1–29.2, 30; D15/144, 144.2; D28/13  
CPC . B23K 1/00; B23K 3/00; B23K 3/021; B23K 5/00; B23K 9/00; B23K 9/12; B23K 9/28; B23K 9/167  
See application file for complete search history.

- D515,890 S 2/2006 Kensrue
- D516,883 S 3/2006 Popov
- D535,166 S 1/2007 Kensrue
- D639,129 S \* 6/2011 Van Wambeke ..... D8/29.1
- D641,220 S \* 7/2011 Shi ..... D8/29.1
- D651,057 S 12/2011 Hartsel
- D667,994 S \* 9/2012 Lin ..... D27/139
- 9,182,144 B2 \* 11/2015 Chen ..... F23D 14/36
- D752,403 S 3/2016 Kindig
- D803,649 S \* 11/2017 van der Rest ..... D8/68
- D838,301 S \* 1/2019 Prikler ..... D15/144
- D846,963 S 4/2019 van der Rest
- D867,413 S \* 11/2019 Tsai ..... D15/144
- D871,871 S \* 1/2020 Yang ..... D8/29.1
- 10,670,263 B2 \* 6/2020 Chen ..... F23D 14/62
- D894,246 S \* 8/2020 Tsai ..... D7/416
- 10,962,221 B2 \* 3/2021 Wu ..... F23D 14/34
- D929,585 S \* 8/2021 Sharp ..... D24/138
- D947,631 S 4/2022 Yang

(Continued)

*Primary Examiner* — Patricia A Palasik

(74) *Attorney, Agent, or Firm* — Rumit Ranjit Kanakia

(57) **CLAIM**

The ornamental design for a plastic welder, as shown and described.

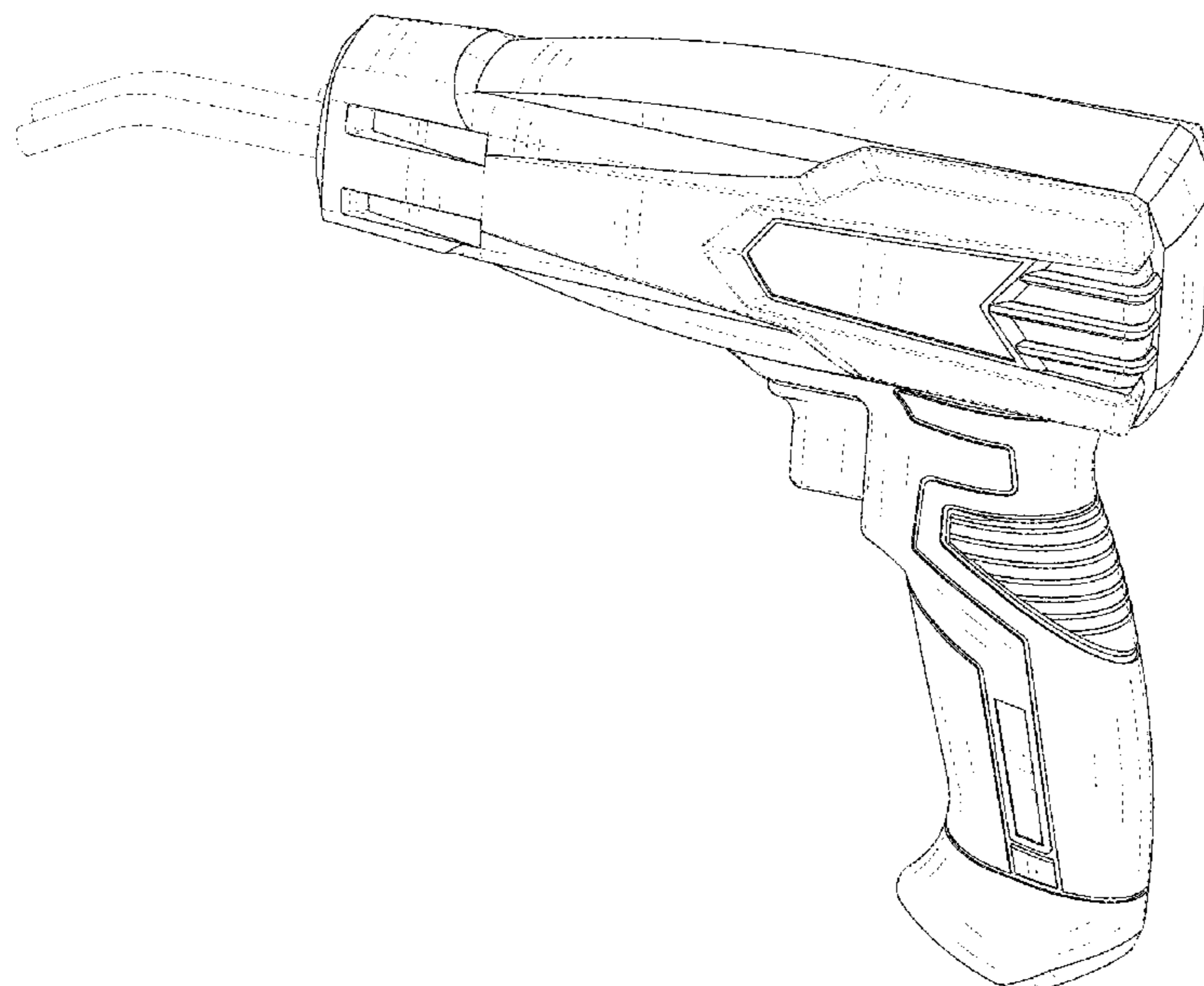
**DESCRIPTION**

FIG. 1 is a perspective view of a plastic welder showing my new design;  
 FIG. 2 is another perspective view thereof;  
 FIG. 3 is a front elevational view thereof;  
 FIG. 4 is a rear elevational view thereof;  
 FIG. 5 is a left side view thereof;  
 FIG. 6 is a right side view thereof;  
 FIG. 7 is a top plan view thereof; and,  
 FIG. 8 is a bottom plan view thereof.  
 The broken lines in the figures are for the purposes of illustrating portions of the plastic welder, which form no part of the claimed design.

**1 Claim, 6 Drawing Sheets**

(56) **References Cited**  
 U.S. PATENT DOCUMENTS

- 3,867,226 A \* 2/1975 Guido ..... B29C 65/228 156/359
- D259,234 S \* 5/1981 Pfeil ..... D8/30
- D297,397 S \* 8/1988 Pagani ..... D8/29.1
- 4,916,289 A \* 4/1990 Suhanek ..... B29C 66/861 219/229
- D350,263 S \* 9/1994 Maruyama ..... D8/30
- 5,564,918 A \* 10/1996 Lin ..... F23D 14/28 431/255
- D376,302 S \* 12/1996 Tsai ..... D8/29.1
- 5,667,377 A \* 9/1997 Lin ..... F23D 14/38 431/255
- D388,297 S \* 12/1997 Buttenbender ..... D8/29.1
- D449,969 S 11/2001 Pretzell
- D456,678 S 5/2002 Karten
- D481,277 S 10/2003 Waldron



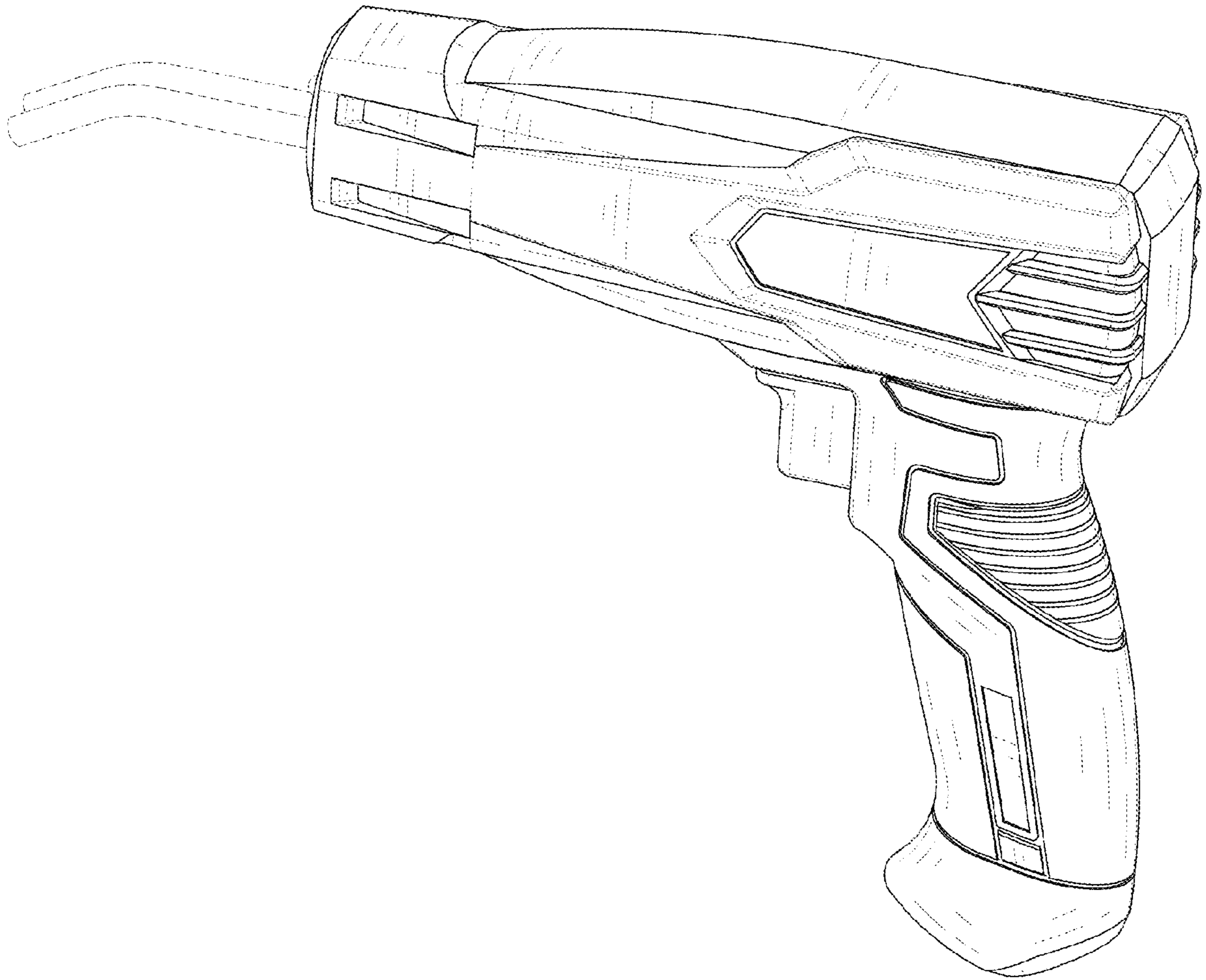
(56)

**References Cited**

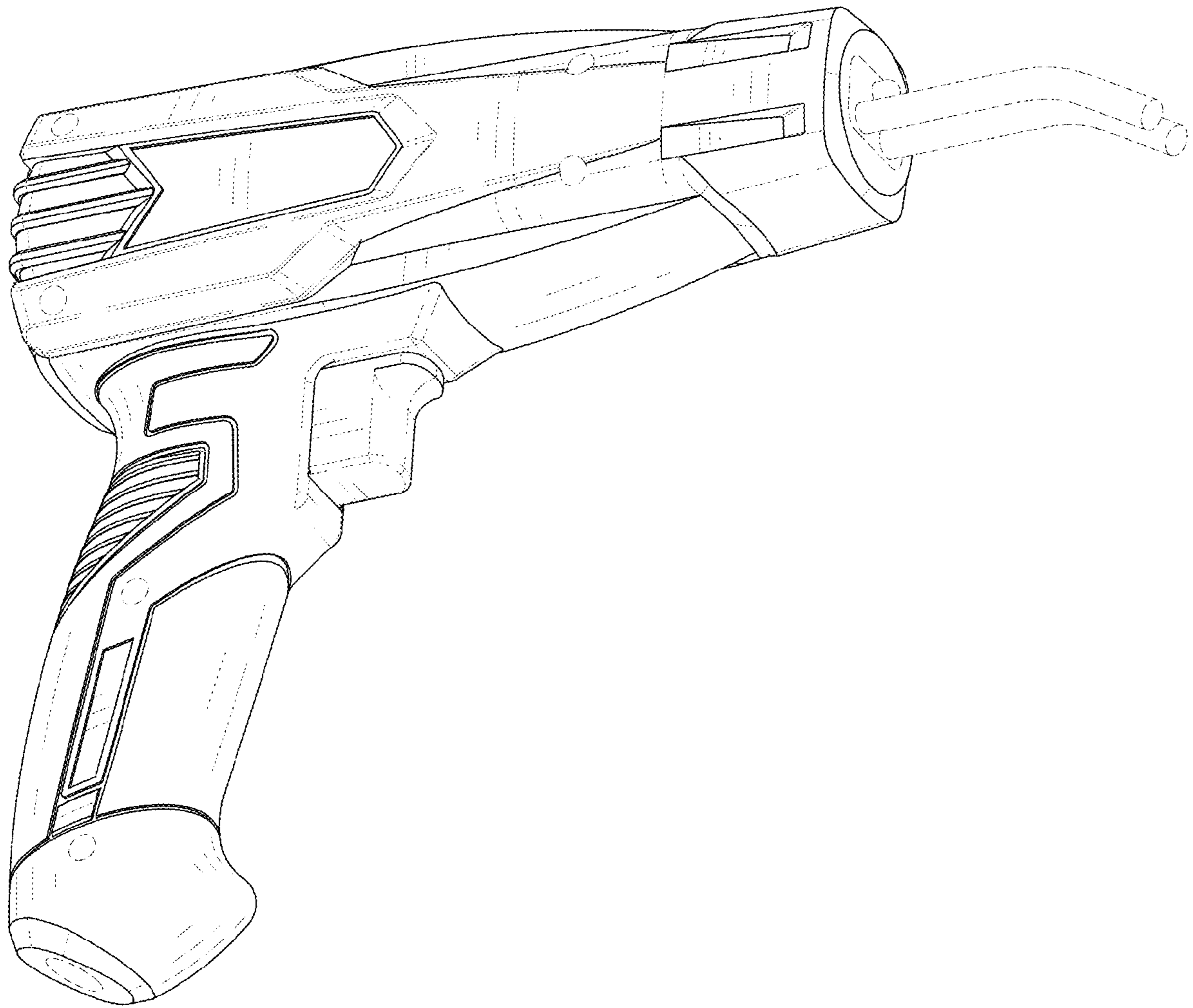
U.S. PATENT DOCUMENTS

D947,911 S \* 4/2022 Chiu ..... D15/144  
D950,835 S \* 5/2022 Luo ..... D27/141

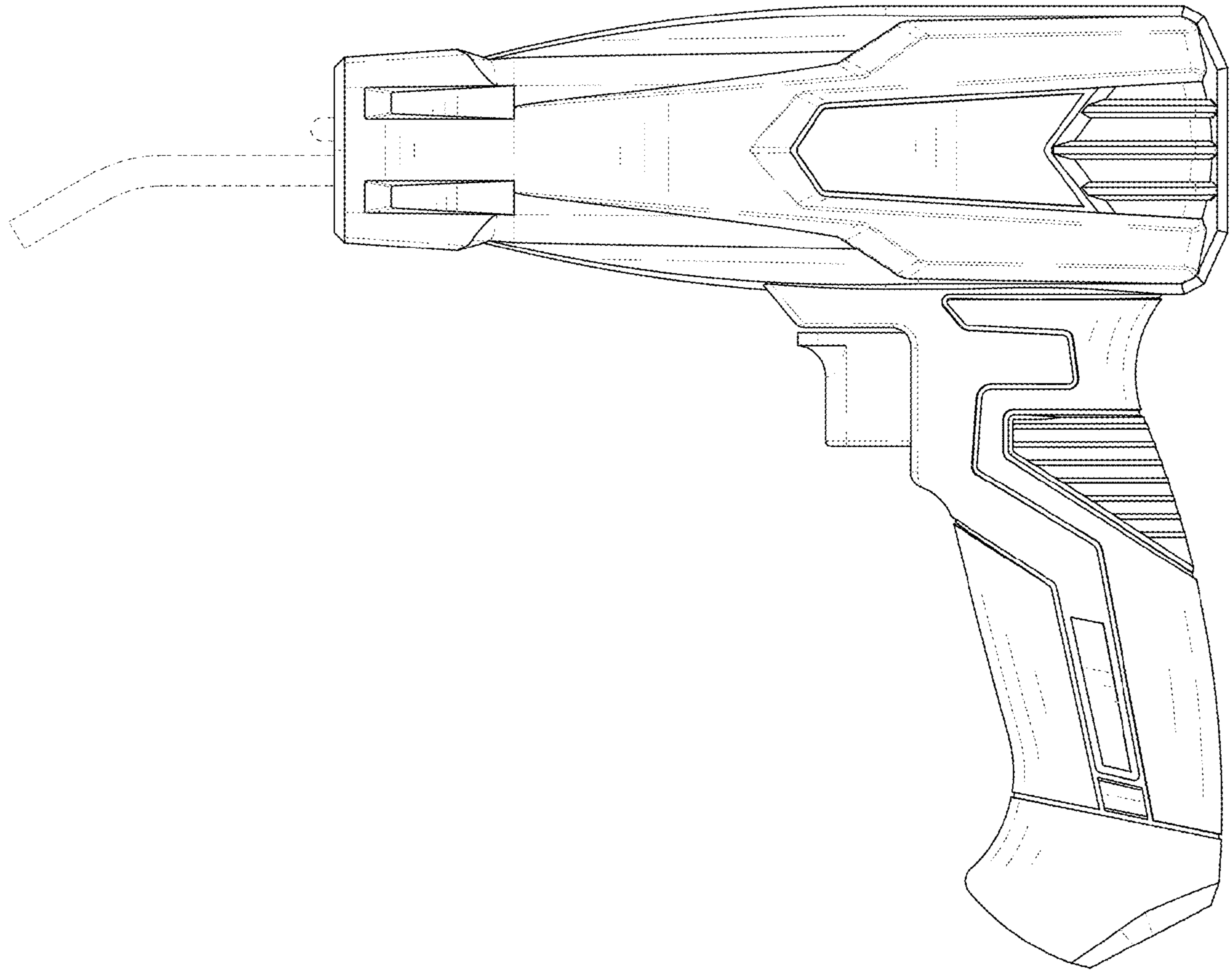
\* cited by examiner



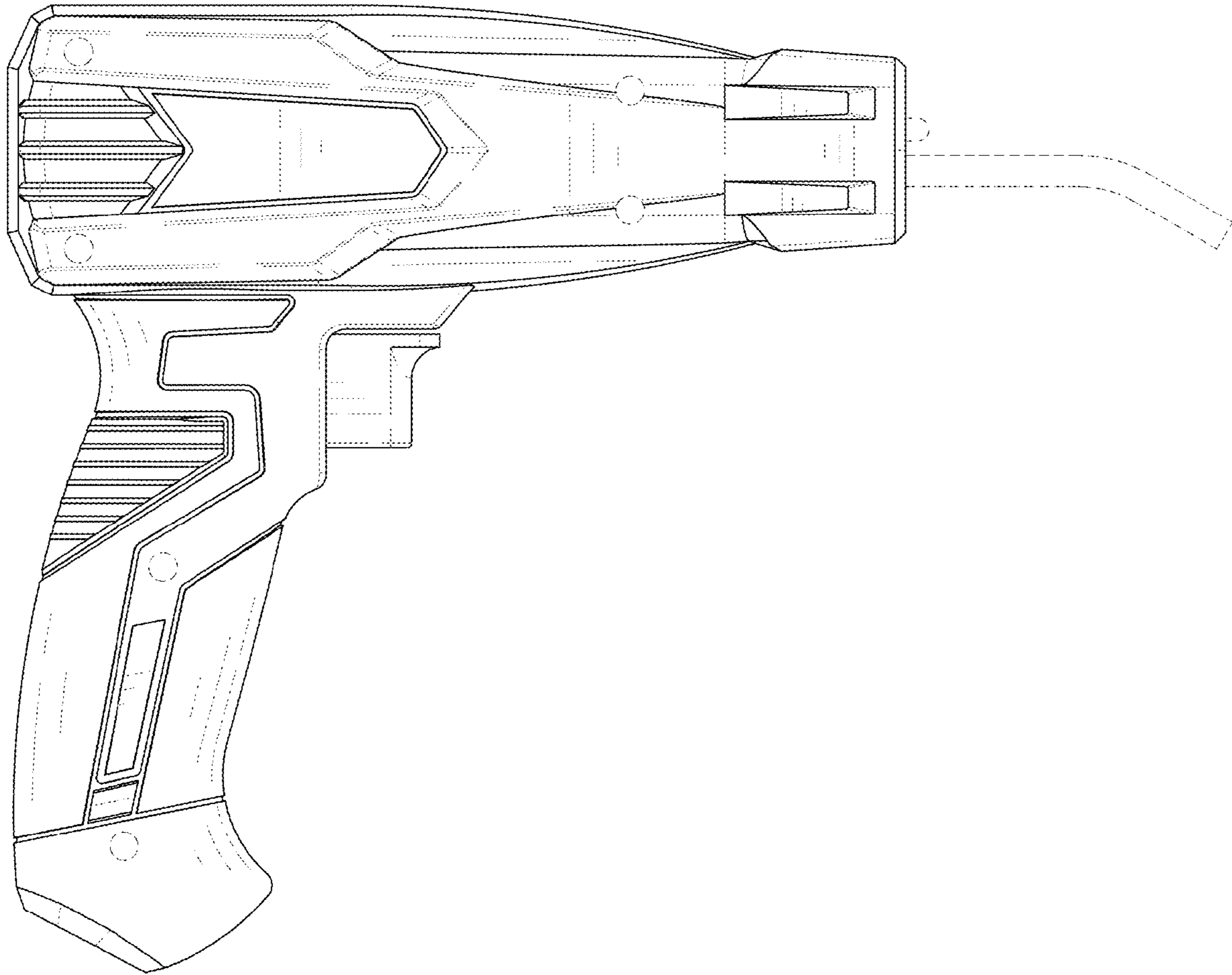
**FIG. 1**



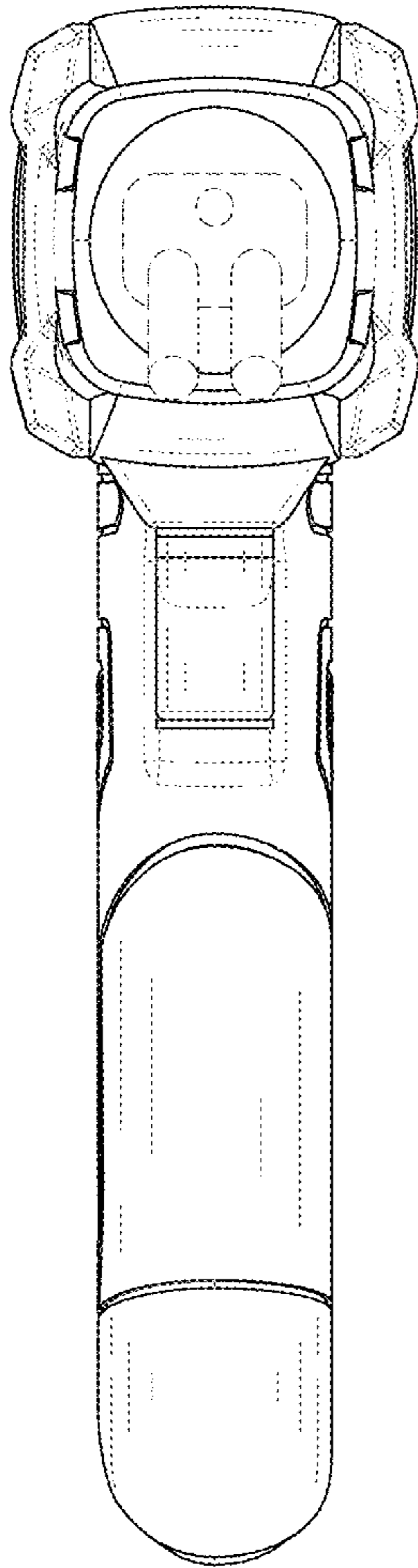
**FIG. 2**



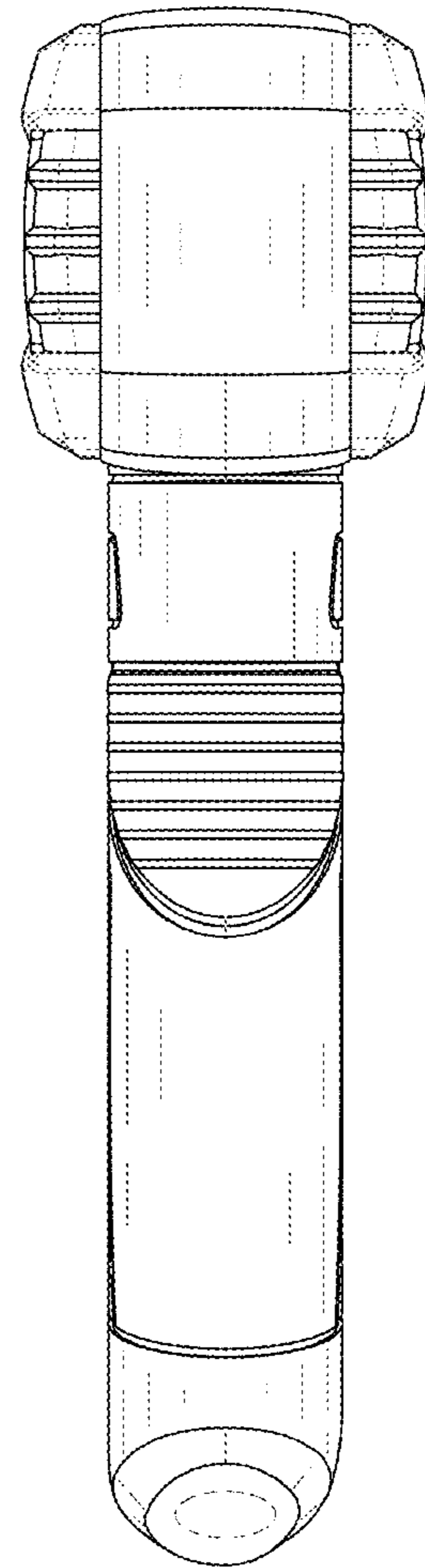
**FIG. 3**



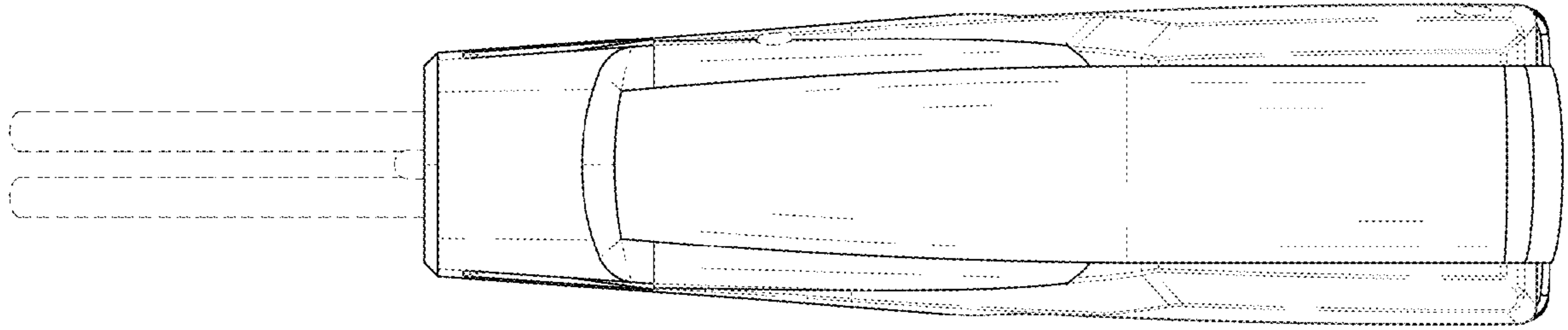
**FIG. 4**



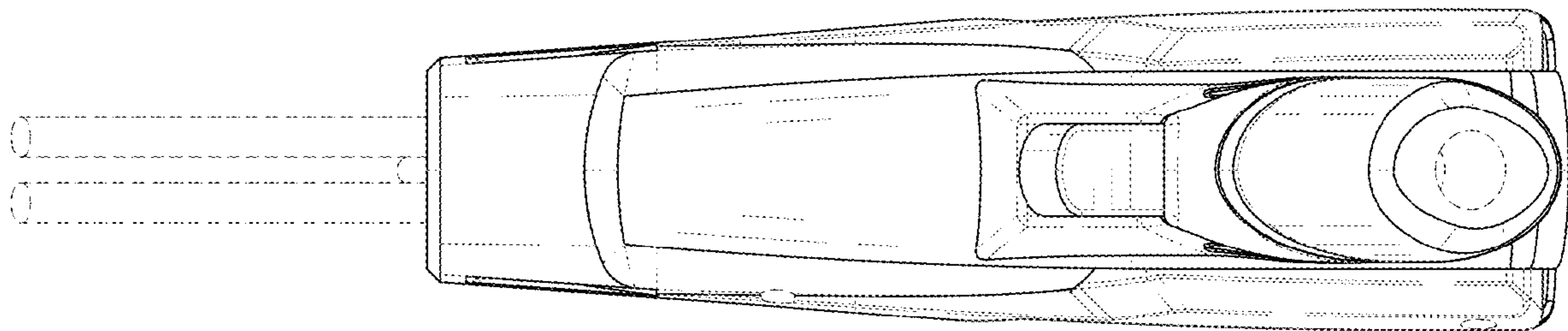
**FIG. 5**



**FIG. 6**



**FIG. 7**



**FIG. 8**