



US00D969185S

(12) **United States Design Patent**  
**Gou**

(10) **Patent No.:** **US D969,185 S**  
(45) **Date of Patent:** **\*\* Nov. 8, 2022**

(54) **PYROGRAPHY TOOL**  
(71) Applicant: **Guangzhou Yihua Electronic Equipment Co., Ltd., Guangdong (CN)**  
(72) Inventor: **Mingkang Gou, Guangdong (CN)**  
(73) Assignee: **Guangzhou Yihua Electronic Equipment Co., Ltd., Guangdong (CN)**

D829,790 S *	10/2018	Gou	.....	D15/144
D831,716 S *	10/2018	Gou	.....	D15/144
D888,789 S *	6/2020	Gou	.....	D15/144.2
D905,637 S *	12/2020	Gou	.....	D13/110
D912,113 S *	3/2021	Gou	.....	D15/144.2
D920,404 S *	5/2021	Gou	.....	D15/144
D920,405 S *	5/2021	Gou	.....	D15/144.2
D928,209 S *	8/2021	Gou	.....	D15/144.2
D937,915 S *	12/2021	Gou	.....	D15/144.2
D937,917 S *	12/2021	Gou	.....	D15/144.2
2015/0083707 A1 *	3/2015	Miyazaki	.....	B23K 3/03 29/458
2016/0175959 A1 *	6/2016	Mochizuki	.....	B23K 3/08 228/20.5

(\*\*) Term: **15 Years**

(21) Appl. No.: **29/748,322**

(22) Filed: **Aug. 28, 2020**

(51) **LOC (13) Cl.** ..... **15-09**

(52) **U.S. Cl.**  
USPC ..... **D15/144**

(58) **Field of Classification Search**  
USPC .... D8/29.1, 30, 107; D15/144, 144.1, 144.2  
CPC ..... B23K 3/08; B23K 3/033; B23K 3/0369;  
F23D 14/52; F23D 14/72; F23D 2209/00;  
F23N 5/247; G05D 23/2401

See application file for complete search history.

(56) **References Cited**

**U.S. PATENT DOCUMENTS**

4,418,268 A *	11/1983	Munshaw	.....	B23K 3/027 219/242
D274,882 S *	7/1984	Rittmann	.....	D8/71
D415,435 S *	10/1999	Yoshimura	.....	D10/50
D490,448 S *	5/2004	Ishihara	.....	D15/144
D550,731 S *	9/2007	Ishihara	.....	D15/144.2
D620,328 S *	7/2010	Masaki	.....	D8/30
D656,525 S *	3/2012	Mochizuki	.....	D15/144.2
D740,339 S *	10/2015	Teraoka	.....	D15/144.2
D780,241 S *	2/2017	Teraoka	.....	D15/144.2

\* cited by examiner

*Primary Examiner* — Patricia A Palasik

(74) *Attorney, Agent, or Firm* — Lucas & Mercanti, LLP

(57) **CLAIM**

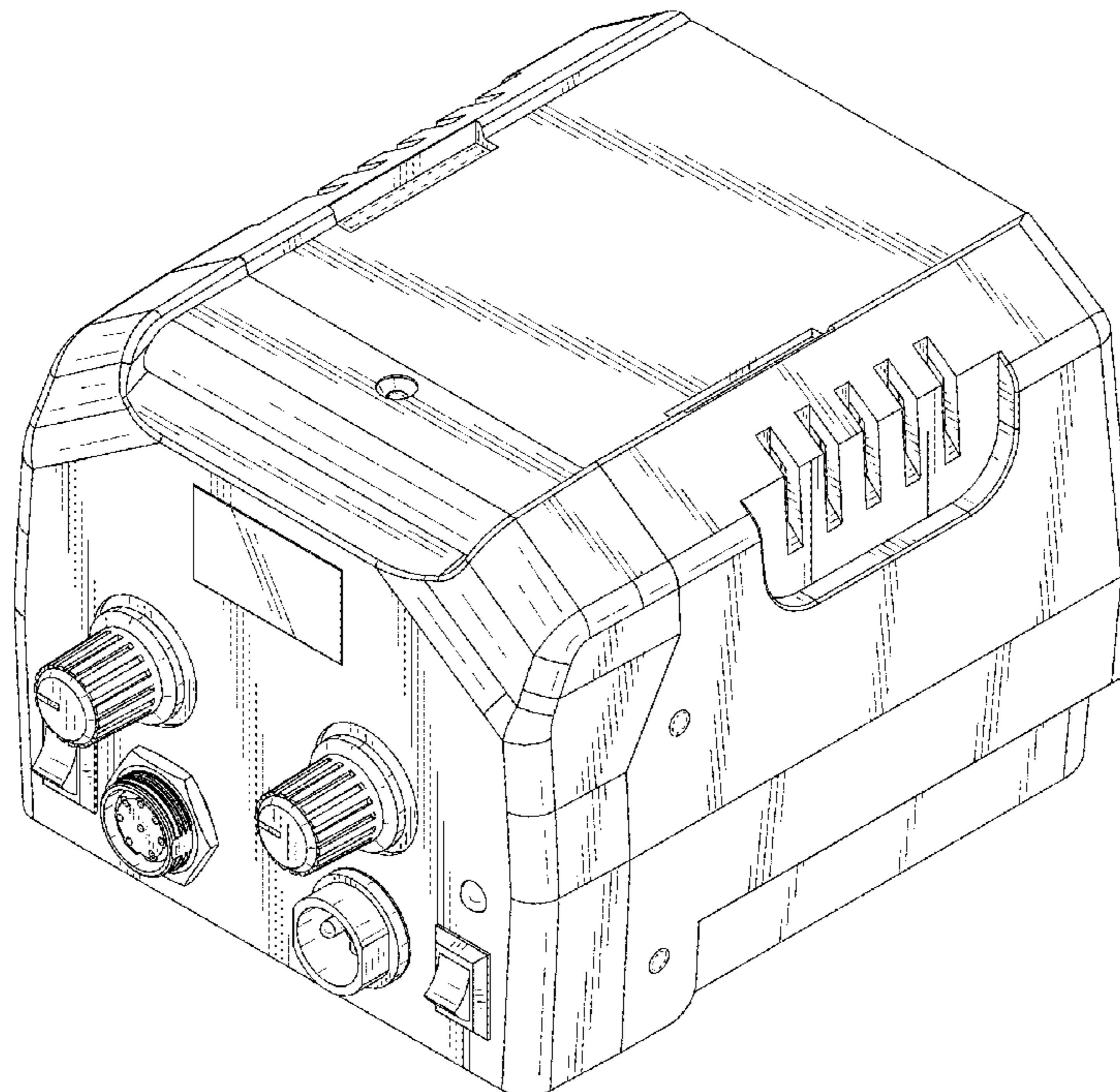
The ornamental design for a pyrography tool, as shown and described.

**DESCRIPTION**

FIG. 1 is a top, front, left side perspective view of the pyrography tool;  
FIG. 2 is a top, front, right side perspective view thereof;  
FIG. 3 is a front view thereof;  
FIG. 4 is a rear view thereof;  
FIG. 5 is a top view thereof;  
FIG. 6 is a bottom view thereof;  
FIG. 7 is a left side view thereof; and,  
FIG. 8 is a right side view thereof.

The broken lines show portions of a pyrography tool which forms no part of the claimed design.

**1 Claim, 8 Drawing Sheets**



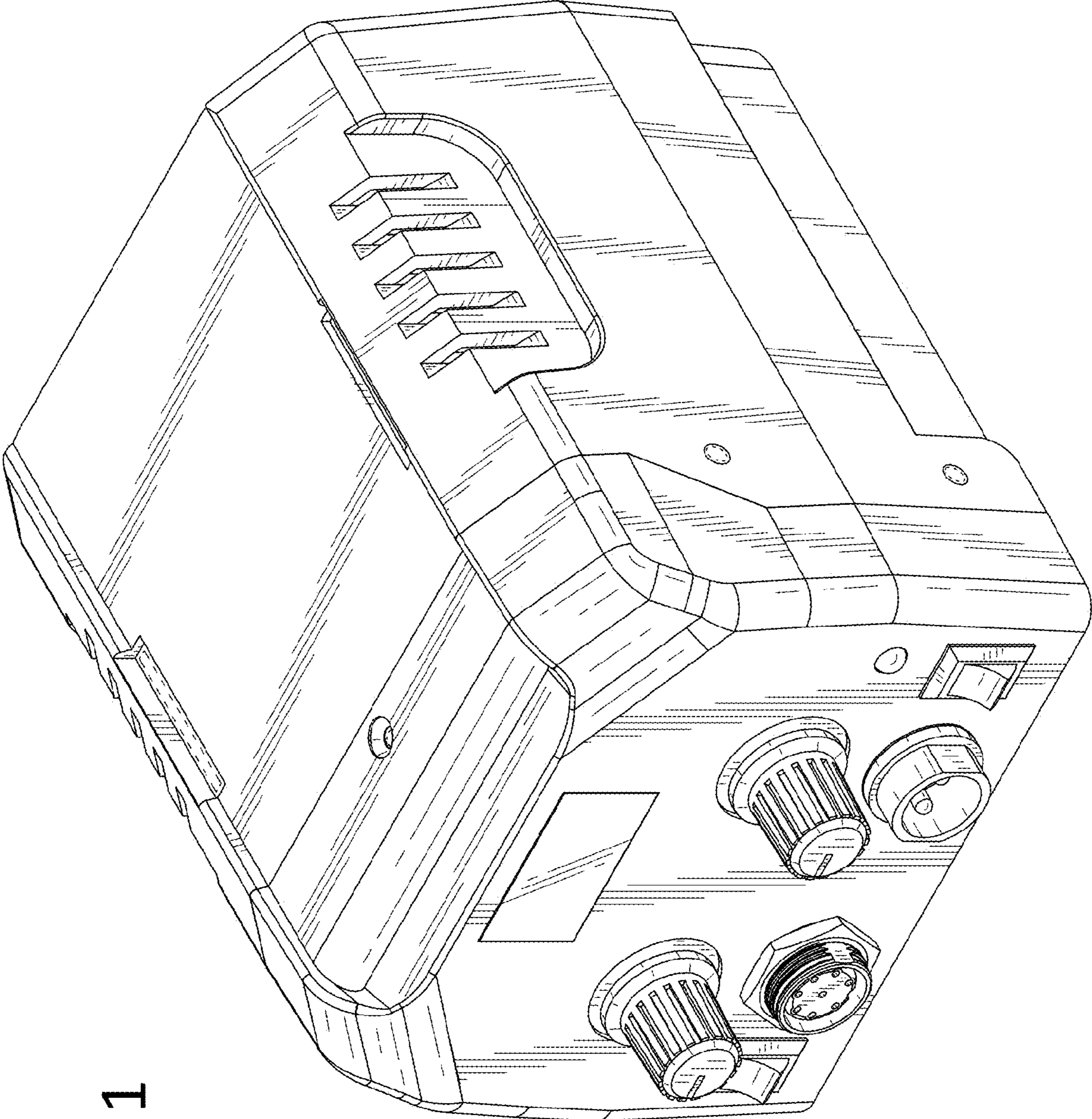
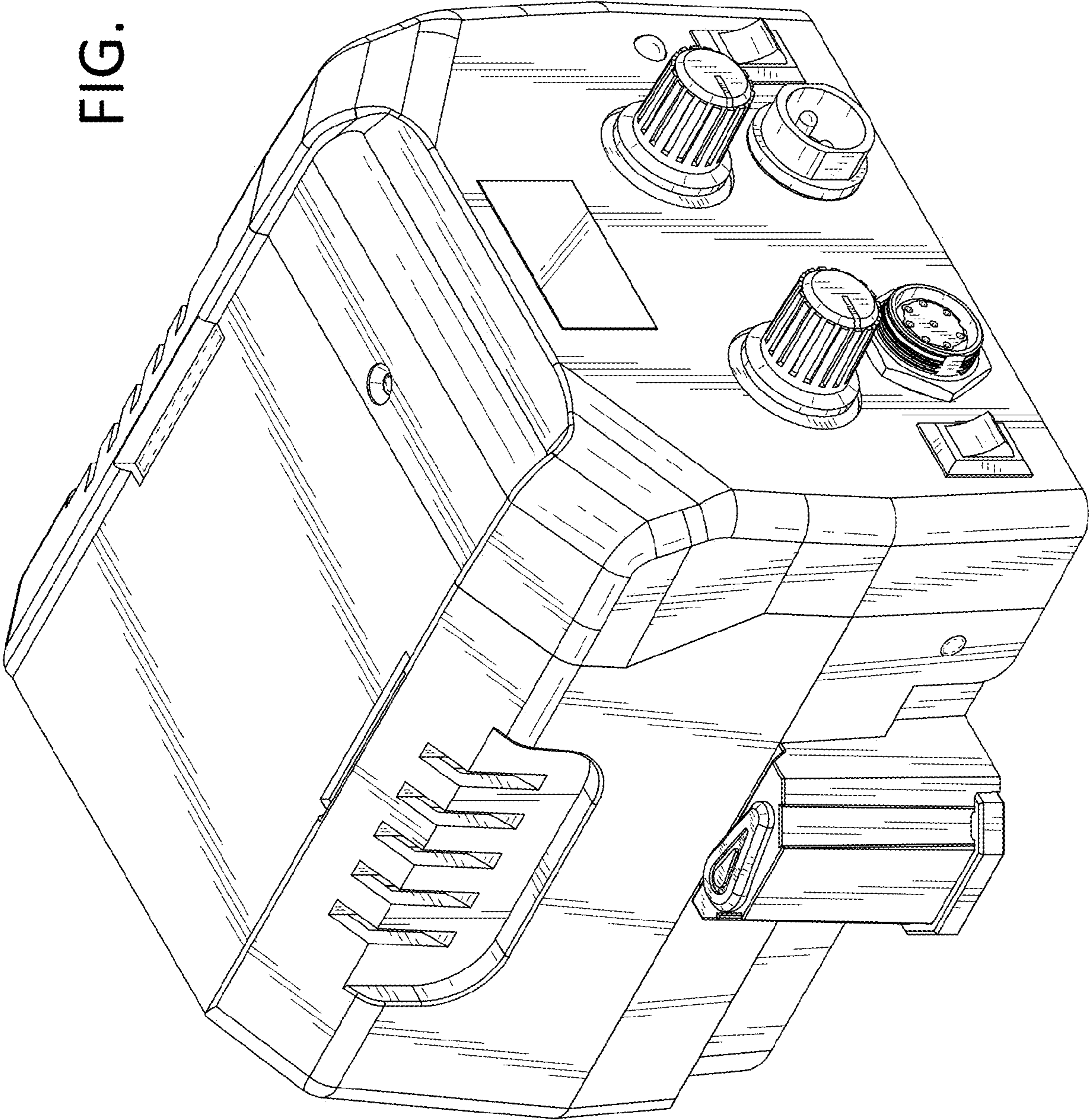


FIG. 1

FIG. 2



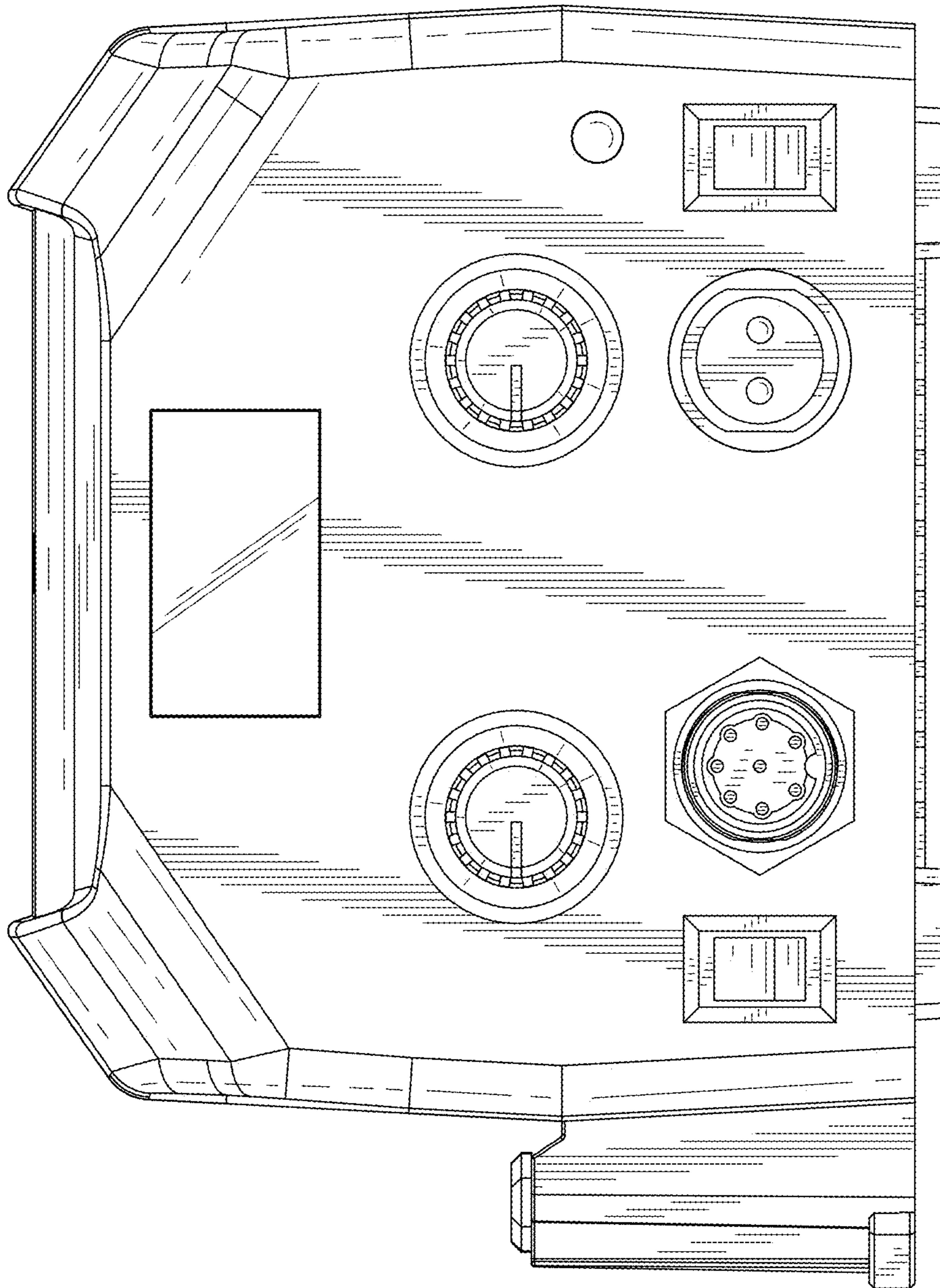


FIG. 3

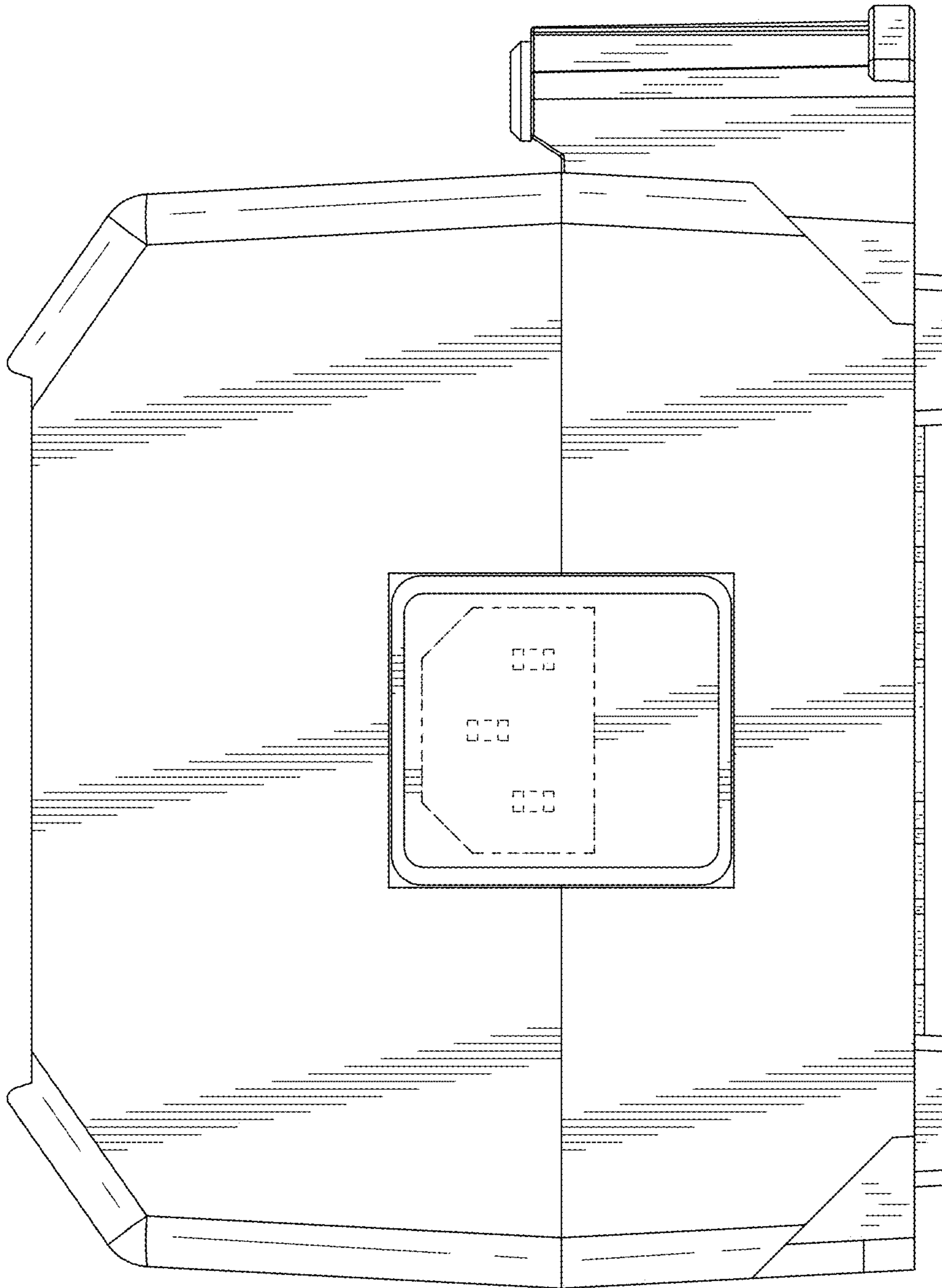


FIG. 4

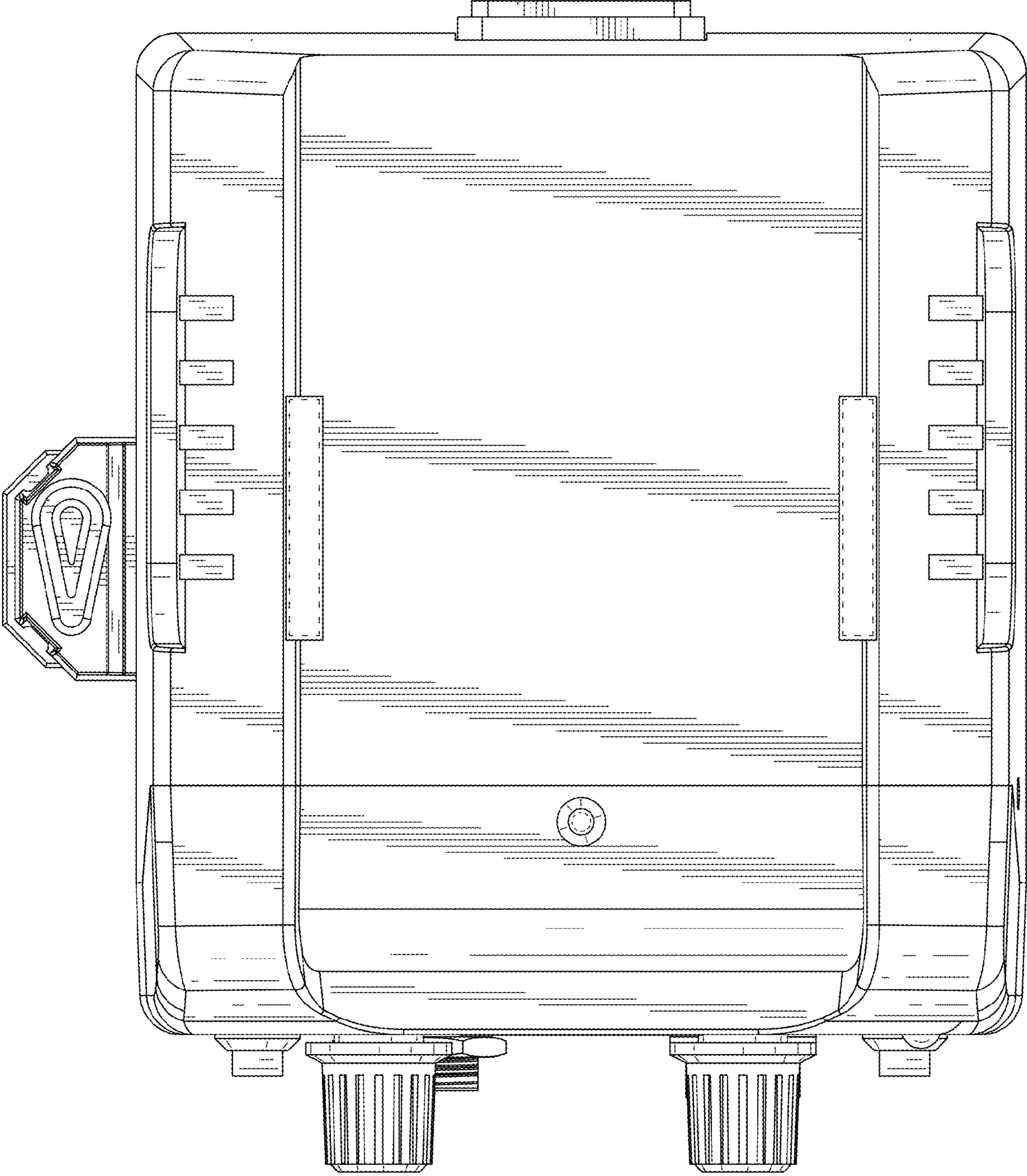


FIG. 5

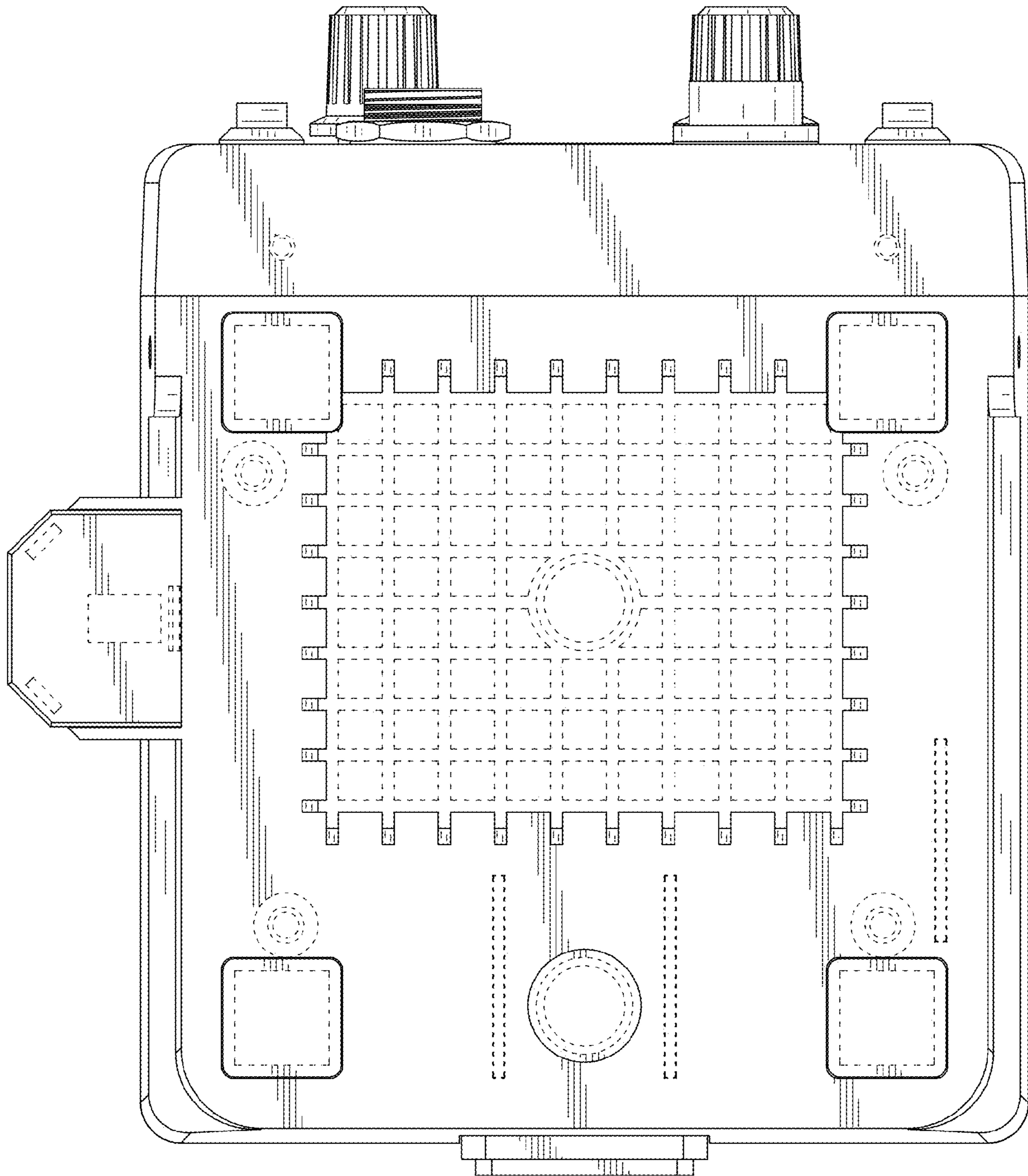


FIG. 6

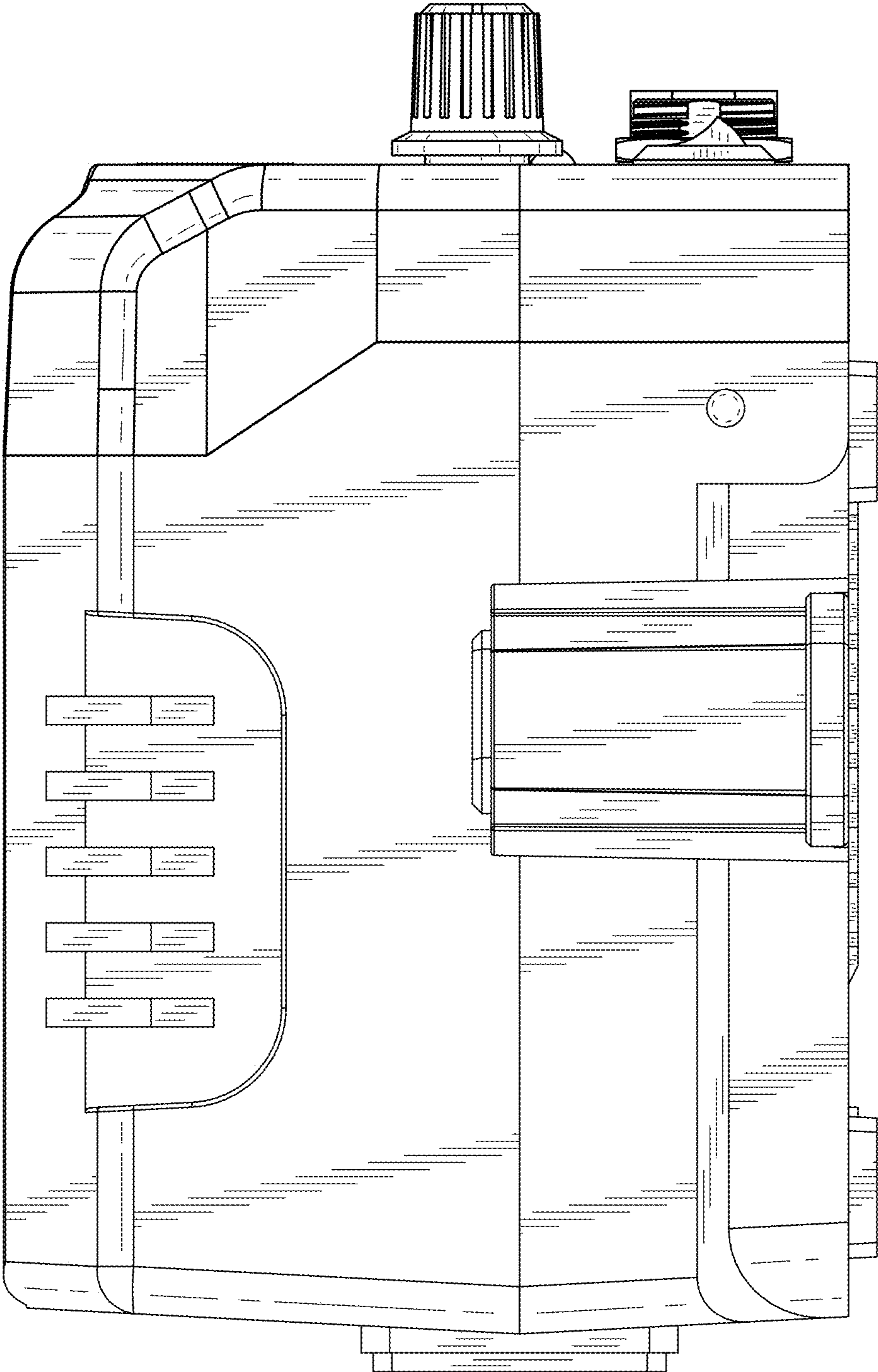


FIG. 7



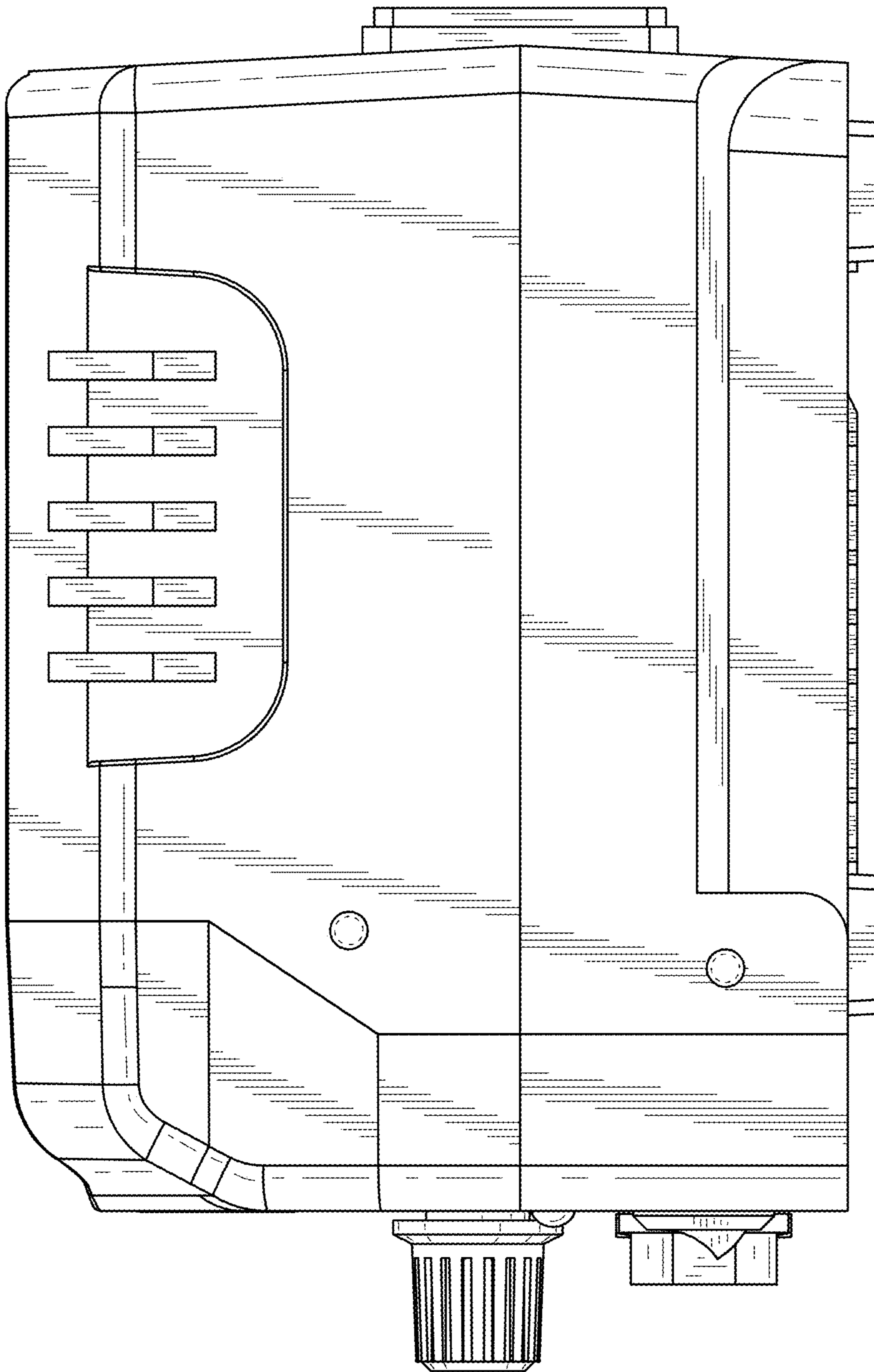


FIG. 8