



US00D969181S

(12) **United States Design Patent** (10) **Patent No.:** **US D969,181 S**  
**Chaikowsky et al.** (45) **Date of Patent:** **\*\* Nov. 8, 2022**

- (54) **TILE SAW**
- (71) Applicant: **Black & Decker, Inc.**, New Britain, CT (US)
- (72) Inventors: **Peter Chaikowsky**, Forest Hill, MD (US); **Cheng Gang Gu**, Jiang Su (CN); **Daniel N. Lopano**, Bel Air, MD (US); **Xu Hui Wu**, Jiangsu Province (CN); **Bin Zhao**, Jiangsu Province (CN)
- (73) Assignee: **Black & Decker, Inc.**, New Britain, CT (US)
- (\*\*) Term: **15 Years**
- (21) Appl. No.: **29/707,617**
- (22) Filed: **Sep. 30, 2019**
- (51) **LOC (13) Cl.** ..... **15-09**
- (52) **U.S. Cl.**  
USPC ..... **D15/133**
- (58) **Field of Classification Search**  
USPC ..... D8/66; D15/127, 133  
CPC ..... B27B 27/04; B27B 27/08; B28D 1/047; B28D 7/02; B28D 7/04; C03B 33/10; Y10T 83/0385; Y10T 83/3648  
See application file for complete search history.

- (56) **References Cited**
- U.S. PATENT DOCUMENTS
- 3,157,398 A \* 11/1964 Zahradnik ..... B65H 45/28 493/397
- D400,896 S \* 11/1998 Hepworth ..... D15/133
- D442,977 S \* 5/2001 Howard ..... D15/133
- 6,347,624 B1 \* 2/2002 Smith ..... B23D 47/025 125/13.01
- D475,267 S \* 6/2003 Bradfield ..... D15/133
- D492,706 S \* 7/2004 Hepworth ..... D15/133
- D508,250 S \* 8/2005 Wu ..... D15/133
- D533,201 S \* 12/2006 Hepworth ..... D15/133

- 2004/0134324 A1 \* 7/2004 Sheddy ..... B27B 5/38 83/581
- 2005/0103175 A1 \* 5/2005 O'Banion ..... B23D 45/021 83/477.2
- 2007/0144509 A1 \* 6/2007 Li ..... B28D 7/04 125/13.01
- 2010/0288258 A1 \* 11/2010 Cao ..... B28D 1/044 125/13.01
- 2015/0013659 A1 \* 1/2015 Chen ..... B28D 7/043 125/13.01
- 2015/0367527 A1 \* 12/2015 Elemstrand ..... B28D 1/047 125/14
- 2017/0080602 A1 \* 3/2017 Tennant ..... B28D 1/047  
(Continued)

FOREIGN PATENT DOCUMENTS

- EP 1415744 A2 \* 5/2004 ..... H02K 9/06
- EP 1568431 A2 \* 8/2005 ..... B28D 7/02  
(Continued)

*Primary Examiner* — Patricia A Palasik  
(74) *Attorney, Agent, or Firm* — Rhonda Barton

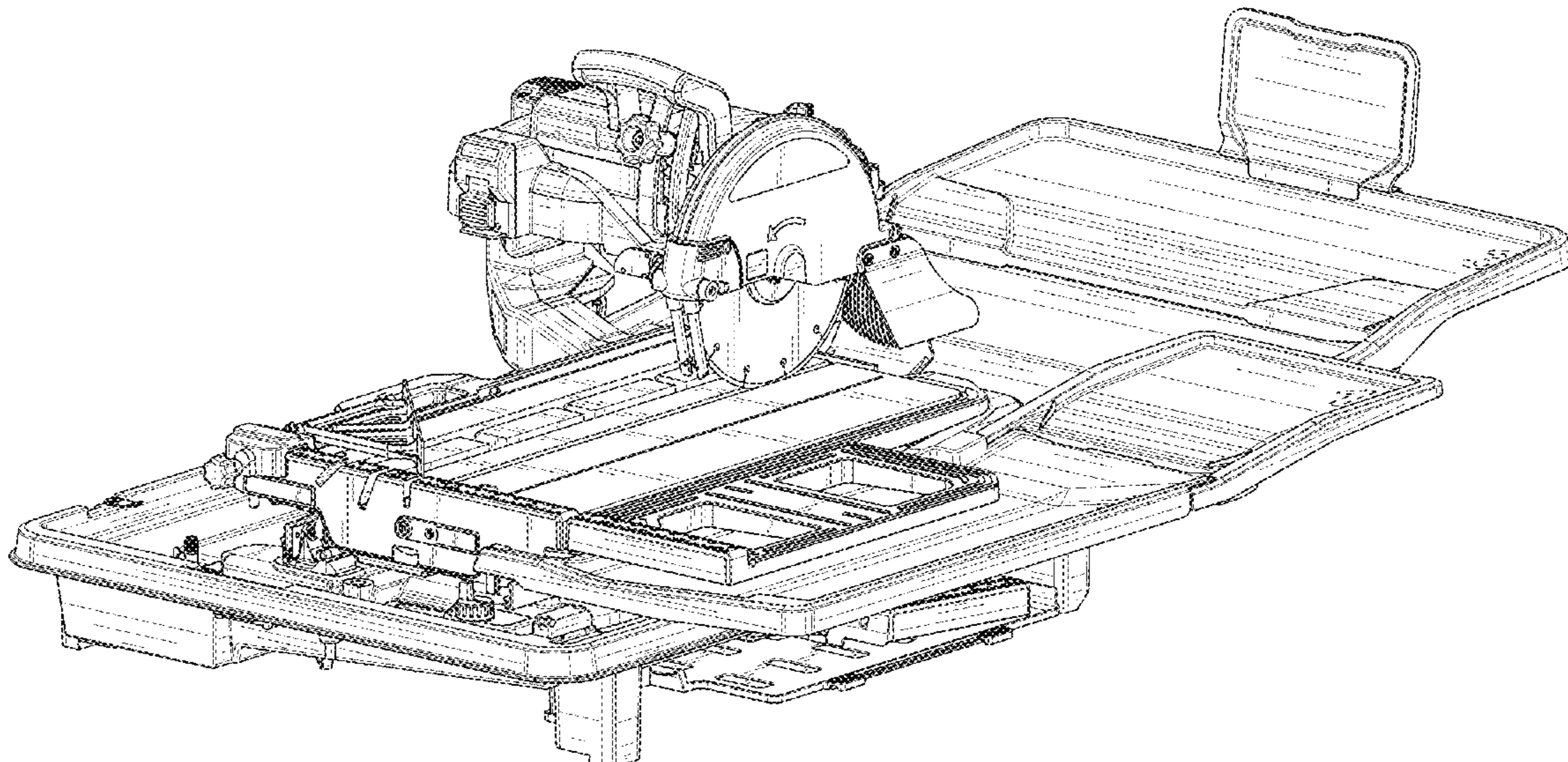
(57) **CLAIM**

The ornamental design for a tile saw, as shown and described.

**DESCRIPTION**

FIG. 1 is a top and right-side perspective view of a tile saw showing our new design;  
FIG. 2 is a top and left-side perspective view of the design of FIG. 1;  
FIG. 3 is a right-side view thereof;  
FIG. 4 is a left-side view thereof;  
FIG. 5 is a front view thereof;  
FIG. 6 is a rear view thereof;  
FIG. 7 is a top view thereof; and,  
FIG. 8 is a bottom view thereof.  
The broken lines in the drawings illustrate portions of the tile saw that form no part of the claimed design.

**1 Claim, 8 Drawing Sheets**



(56)

**References Cited**

U.S. PATENT DOCUMENTS

2017/0157797 A1\* 6/2017 Wung ..... B28D 1/042  
2018/0257261 A1\* 9/2018 Ipatenco ..... B28D 1/047  
2018/0297238 A1\* 10/2018 Hart ..... B28D 7/02  
2020/0070264 A1\* 3/2020 Hart ..... B23D 45/02  
2020/0180185 A1\* 6/2020 Costanzo ..... B27B 27/08

FOREIGN PATENT DOCUMENTS

EP 1785211 A2 \* 5/2007 ..... B27B 27/06  
WO WO-2021035082 A1 \* 2/2021 ..... B28D 1/047

\* cited by examiner

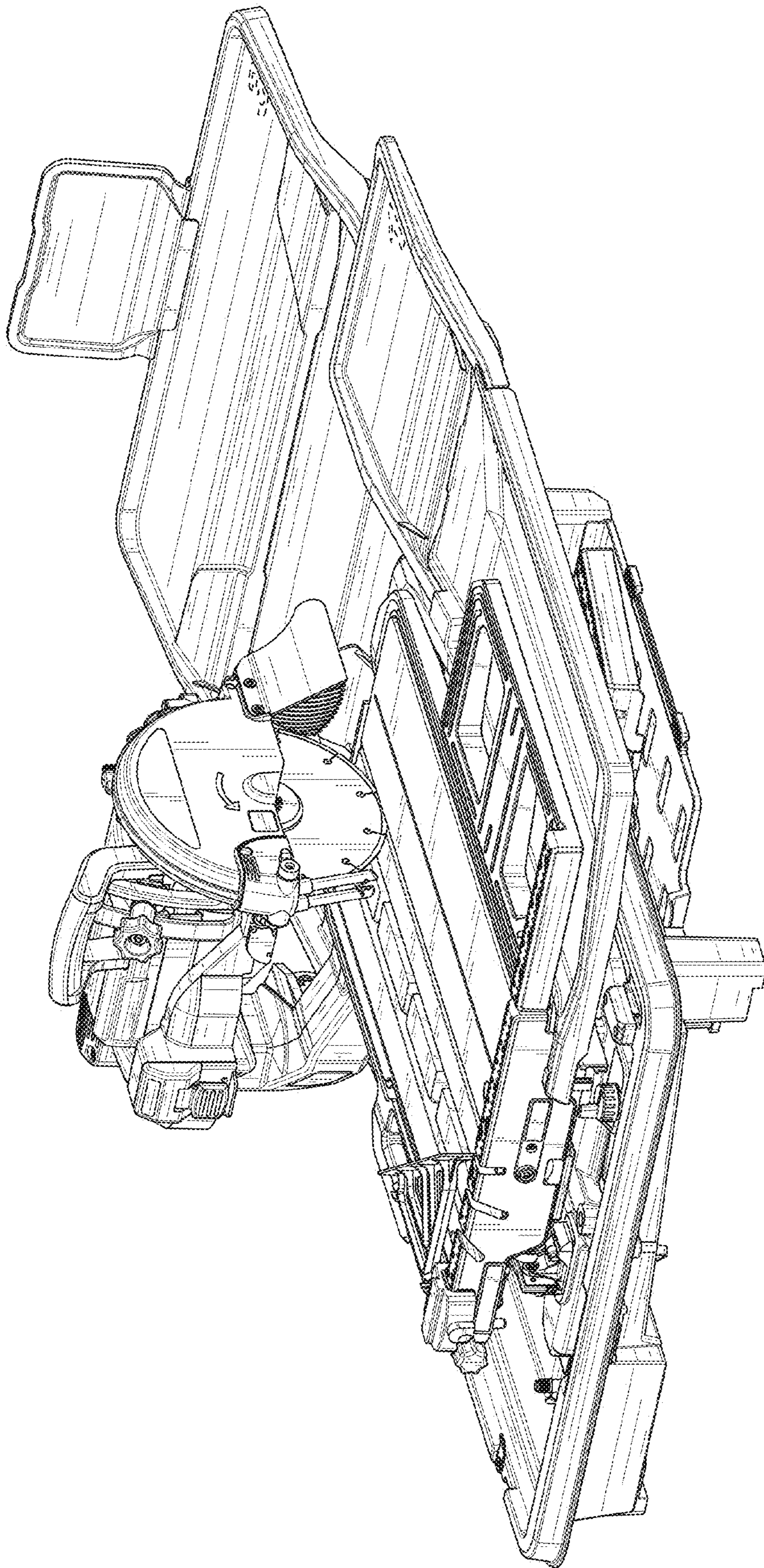


FIG. 1

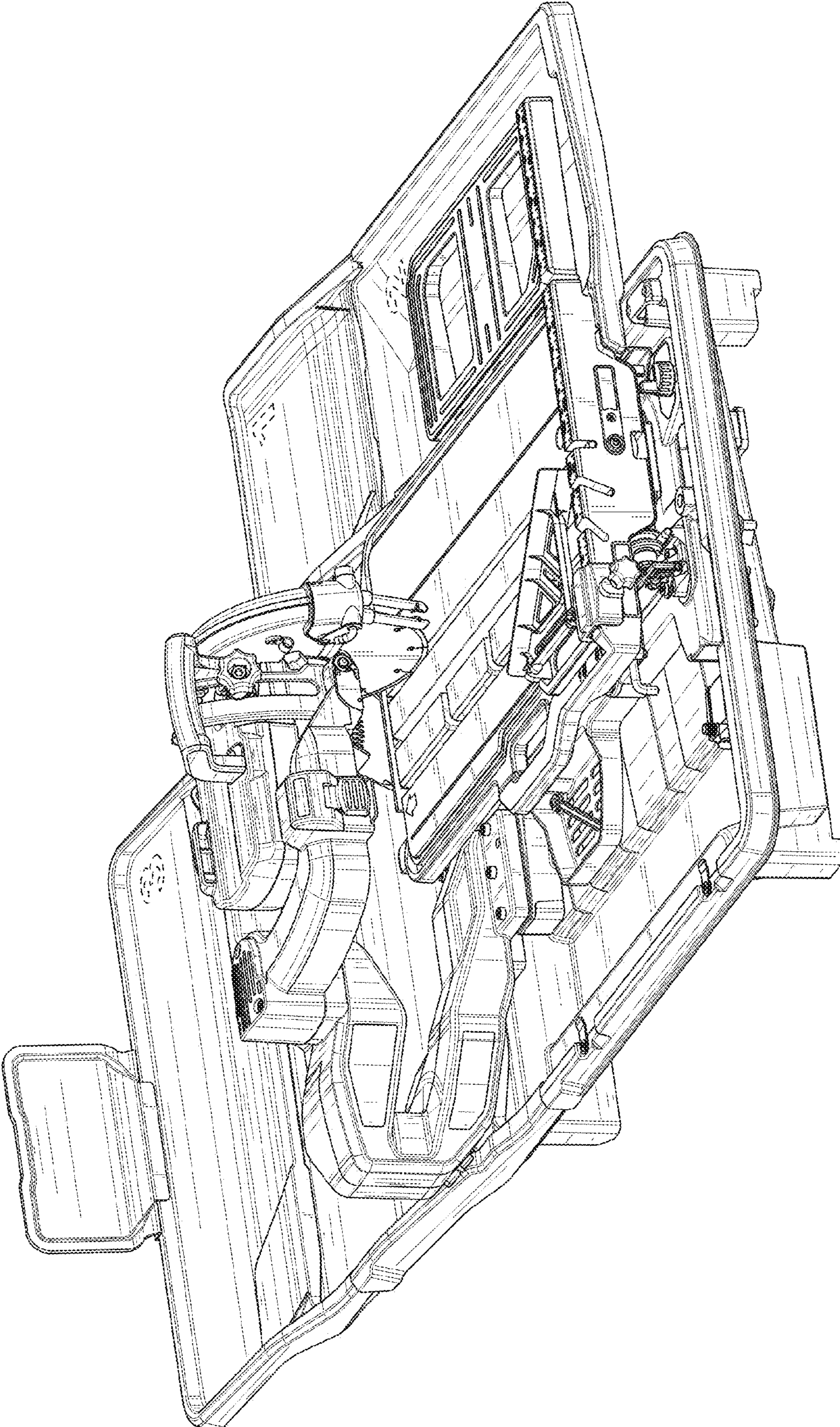


FIG. 2

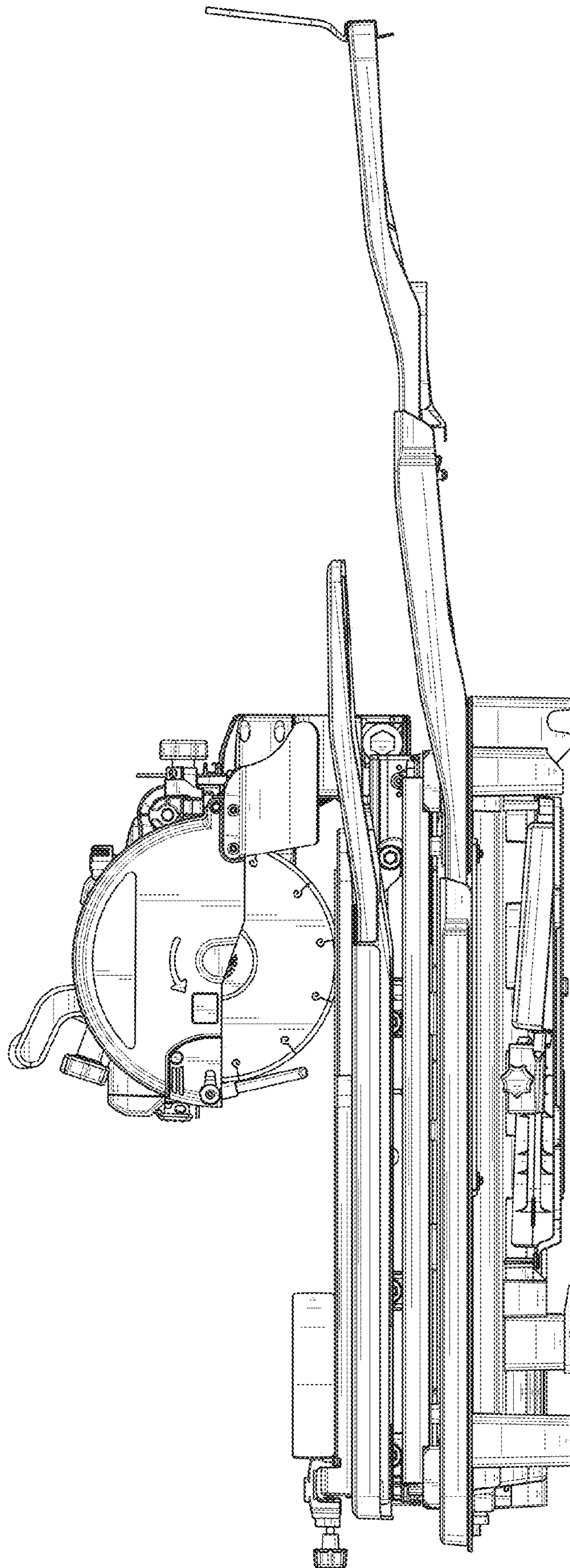


FIG. 3

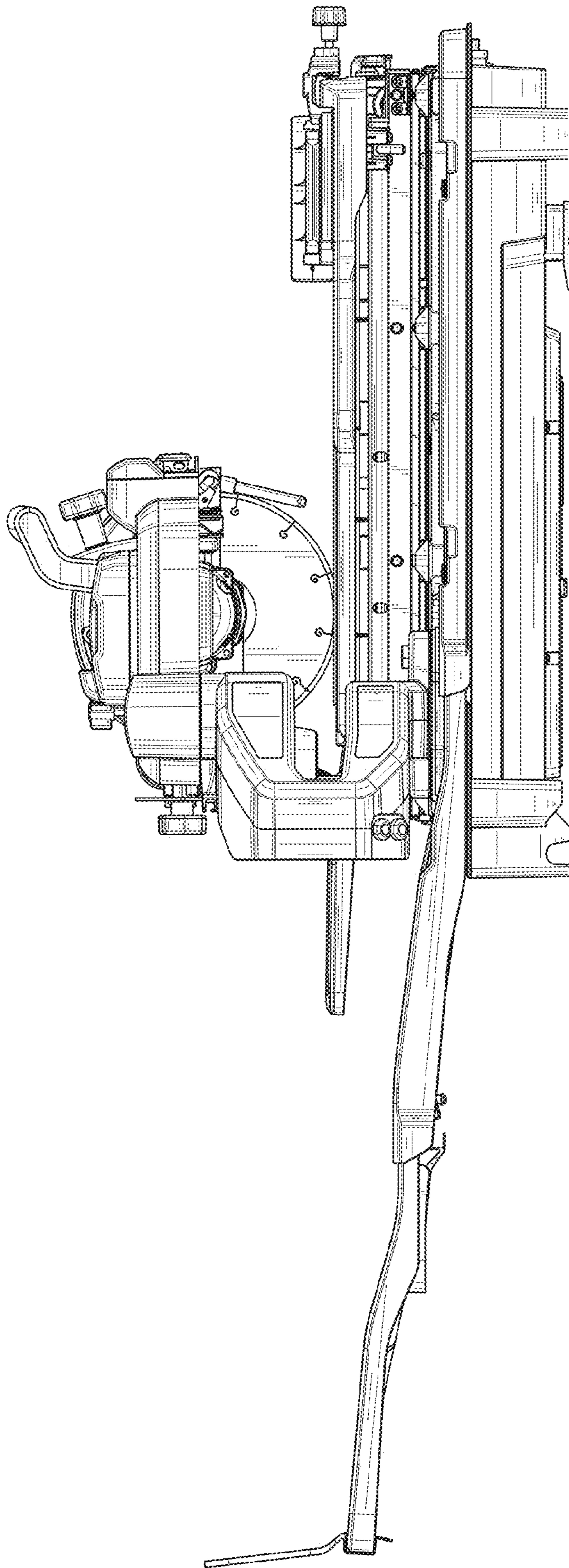


FIG. 4

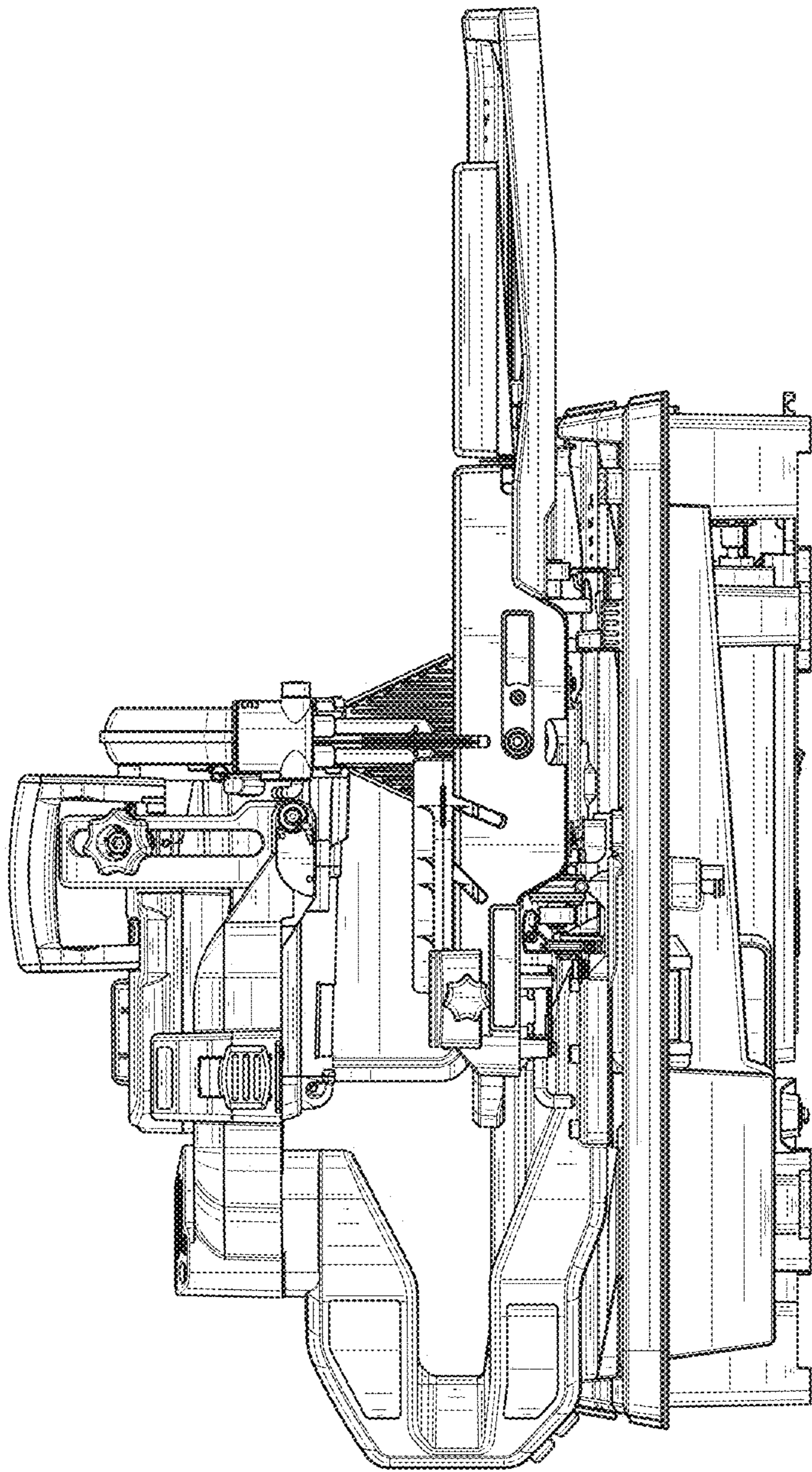


FIG. 5

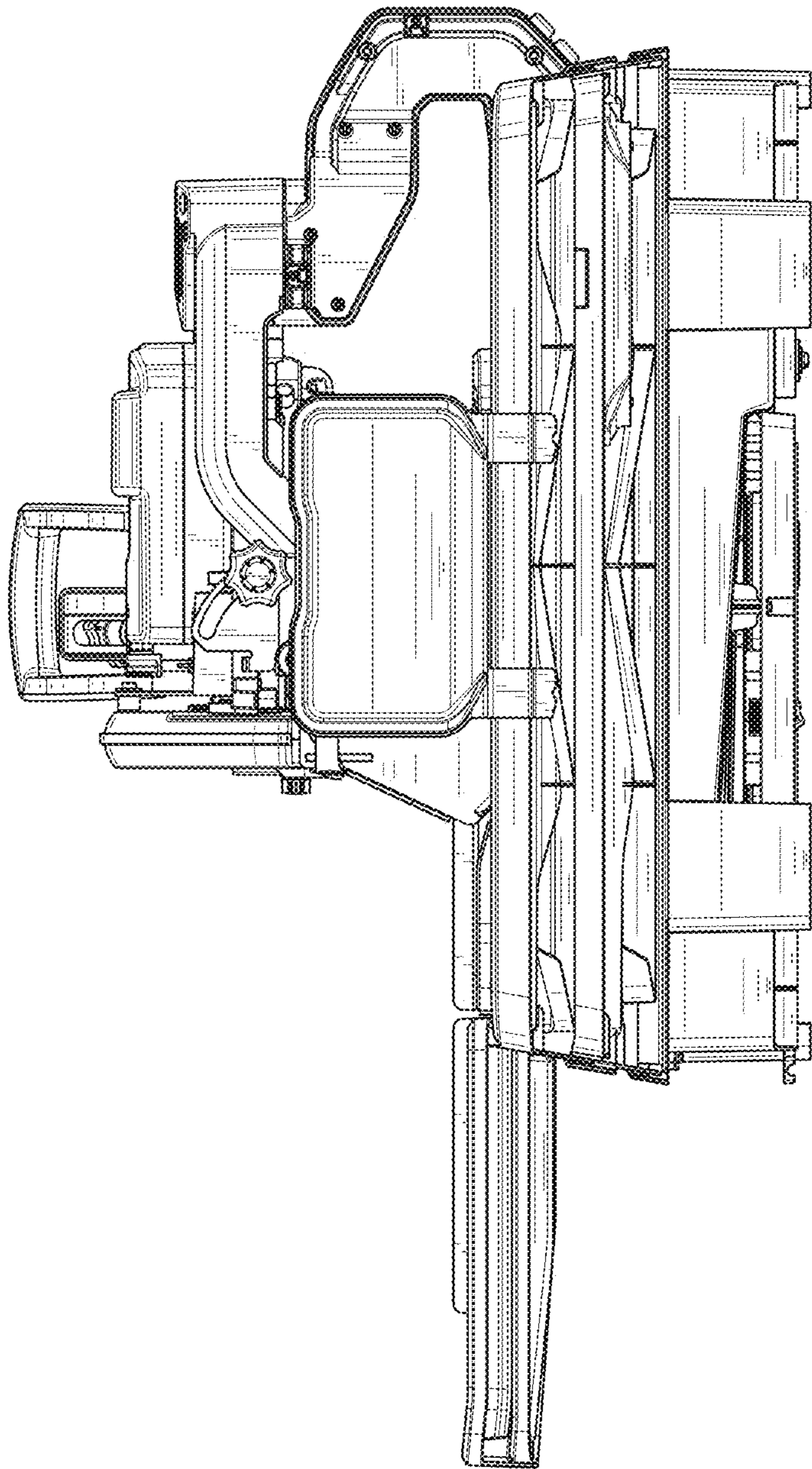


FIG. 6



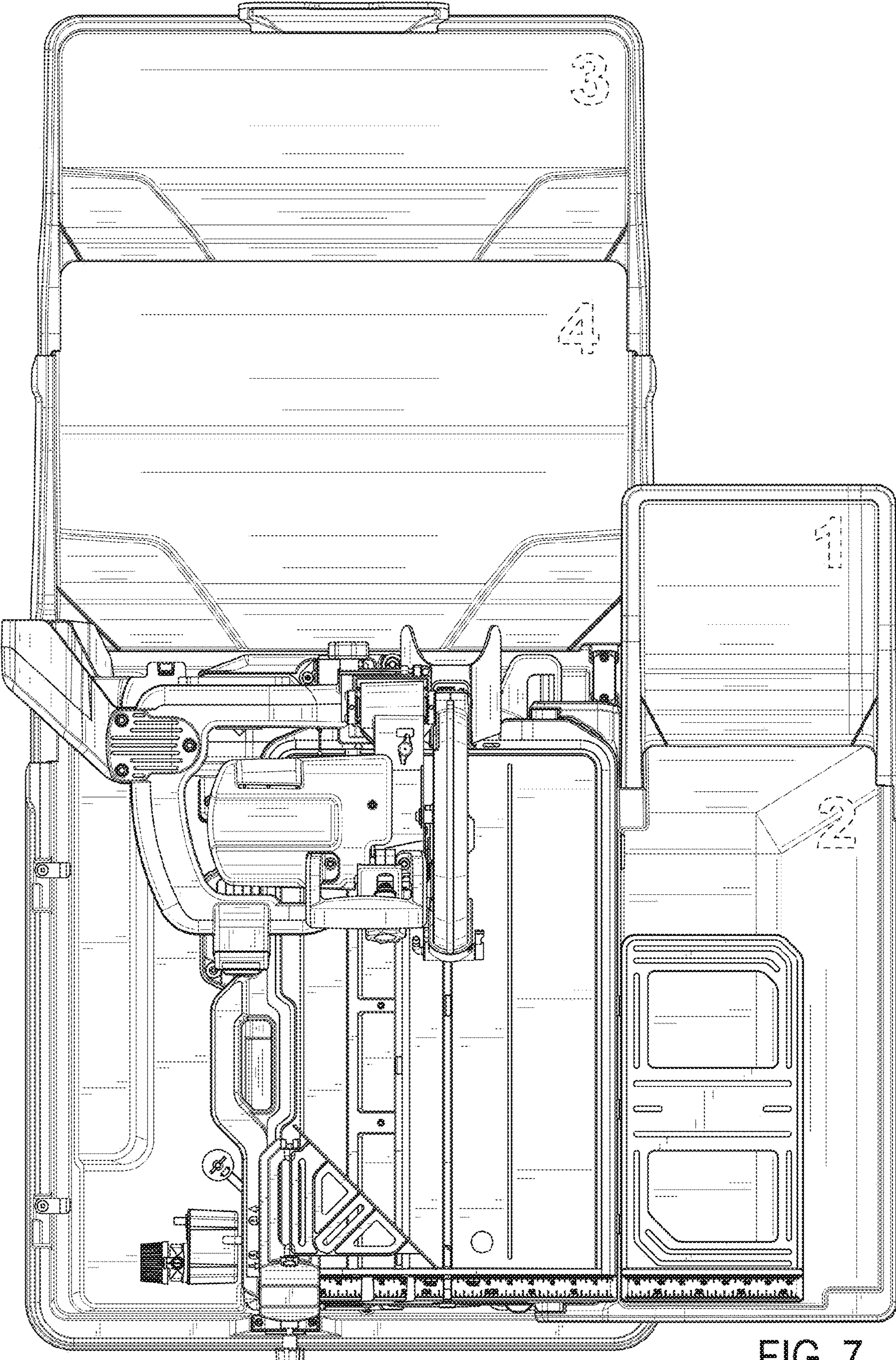


FIG. 7

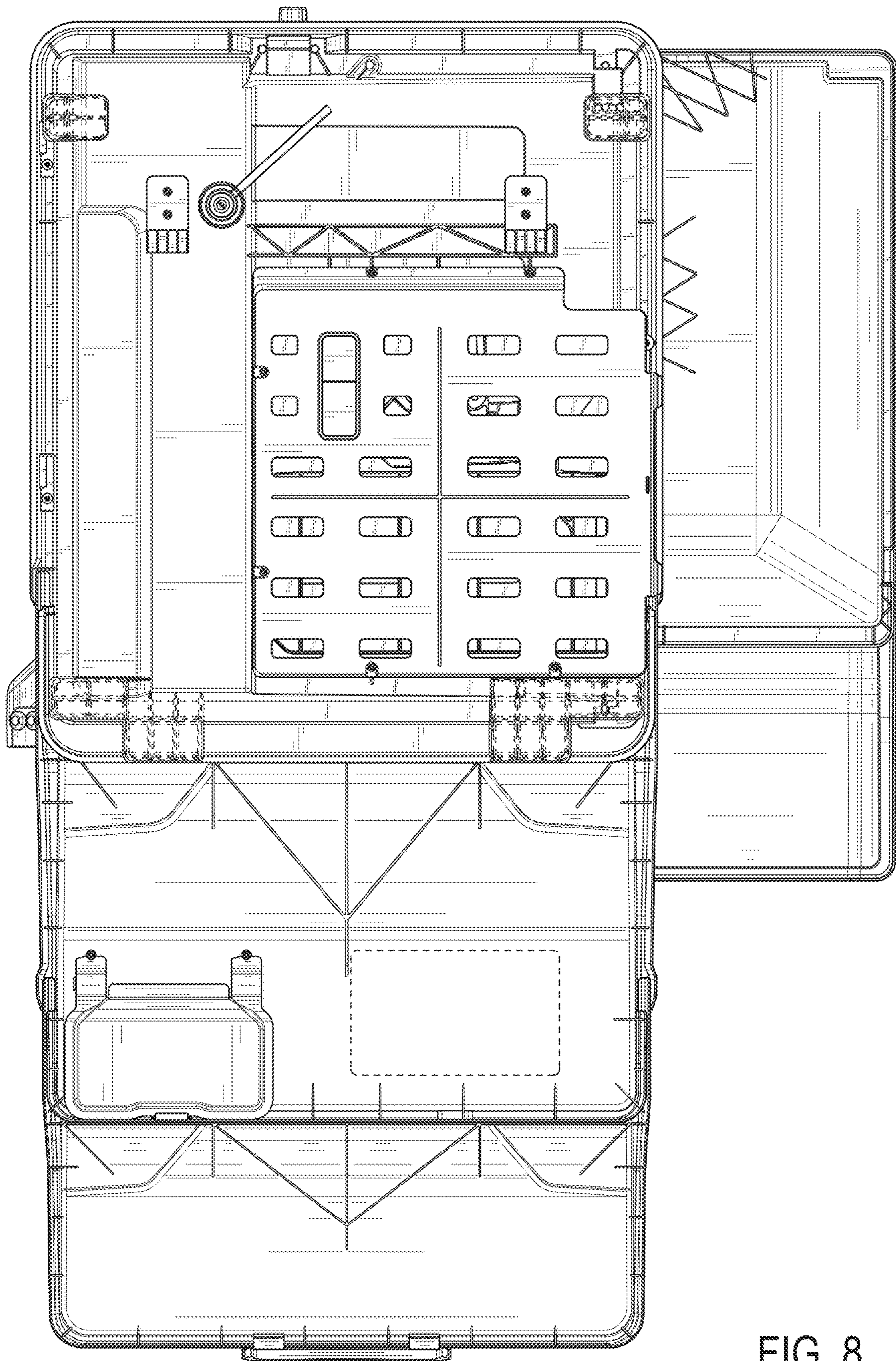


FIG. 8