



US00D969180S

(12) **United States Design Patent** (10) **Patent No.:** **US D969,180 S**
Shindo et al. (45) **Date of Patent:** **** Nov. 8, 2022**

(54) **MACHINE TOOL**

(71) Applicant: **NAGASE INTEGRGX CO., LTD.**,
Gifu-ken (JP)

(72) Inventors: **Ryota Shindo**, Gifu-ken (JP); **Keiji Uemura**, Gifu-ken (JP)

(73) Assignee: **NAGASE INTEGRGX CO., LTD.**,
Gifu-Ken (JP)

(**) Term: **15 Years**

(21) Appl. No.: **35/511,036**

(22) Filed: **Jun. 24, 2020**

(80) **Hague Agreement Data**

Int. Filing Date: **Jun. 24, 2020**

Int. Reg. No.: **DM/208950**

Int. Reg. Date: **Jun. 24, 2020**

Int. Reg. Pub. Date: **Dec. 25, 2020**

(30) **Foreign Application Priority Data**

Dec. 26, 2019 (JP) 2019-029049

Dec. 26, 2019 (JP) 2019-029050

Dec. 26, 2019 (JP) 2019-029051

Dec. 26, 2019 (JP) 2019-029052

Jan. 10, 2020 (JP) 2020-000378

(51) **LOC (13) Cl.** **15-09**

(52) **U.S. Cl.**

USPC **D15/122**

CPC **G01B 11/24** (2013.01)

(58) **Field of Classification Search**

USPC D15/122-126; 15/88.3, 102, 256.51;

451/63, 72, 254, 258-262, 283-291, 359,

451/446, 451-460

CPC B23Q 1/522; B23Q 1/017; B23Q 1/626;

B23Q 1/621; B23Q 1/015; B24B 41/02;

G01B 11/24

See application file for complete search history.

(56) **References Cited**

U.S. PATENT DOCUMENTS

3,552,069 A * 1/1971 Butler B24B 33/10

451/365

4,546,573 A * 10/1985 Shiba B24B 49/12

451/6

4,607,460 A * 8/1986 Mushardt B24B 51/00

451/72

D285,929 S * 9/1986 Cheng D15/124

(Continued)

FOREIGN PATENT DOCUMENTS

JP D1628910 S 4/2019

JP 2019209400 A * 12/2019 B23Q 1/015

(Continued)

Primary Examiner — Richard E Chilcot

(74) *Attorney, Agent, or Firm* — Grogan, Tuccillo &

Vanderleeden, LLP

(57) **CLAIM**

The ornamental design for a machine tool, as shown and described.

DESCRIPTION

1.-5. Machine tool

2.1 : Perspective

2.2 : Perspective

2.3 : Front

2.4 : Back

2.5 : Top

2.6 : Right

2.7 : Left

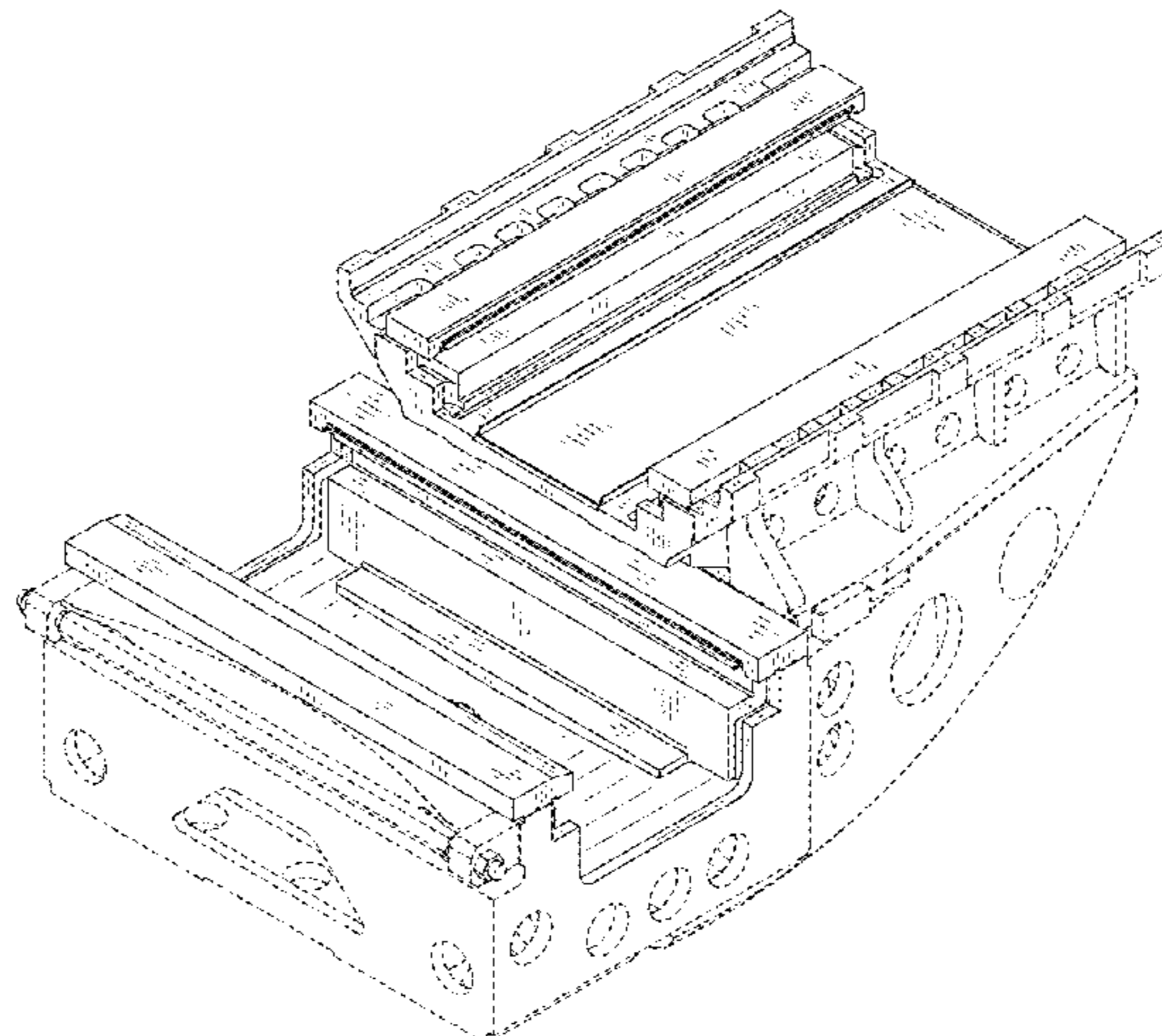
2.8 : Perspective

2.9 : Perspective

2.10 : Top view showing the claimed part

The broken lines in the drawings form no part of the claimed design; the dash-dotted lines in Figures 2.1-2.10 represent the unclaimed boundaries. Figures 2.8-2.10 are perspective

(Continued)



views showing the claimed portions of the machine tool with portions of the unclaimed subject matter removed for clarity.

1 Claim, 10 Drawing Sheets

(56)

References Cited

U.S. PATENT DOCUMENTS

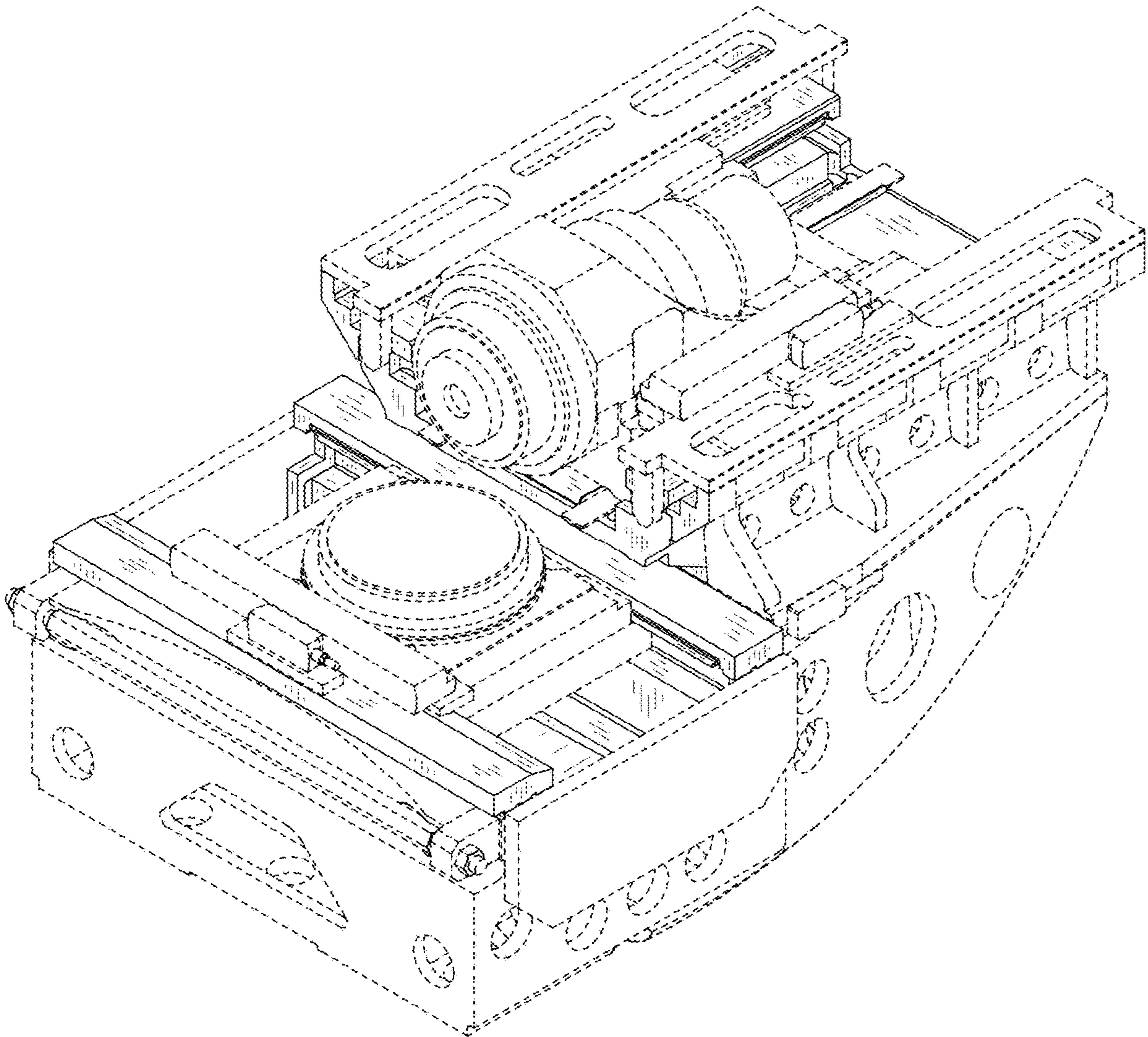
D287,017 S * 12/1986 Aldridge, Jr. D15/124
4,646,475 A * 3/1987 Curtis B24B 21/12
451/308
4,651,404 A * 3/1987 Shorrock B23Q 1/66
29/563
4,729,192 A * 3/1988 Elsdoerfer B24B 47/20
D15/124
5,125,141 A * 6/1992 Katoh B23Q 1/4804
269/57
6,457,919 B1 * 10/2002 Sangster B23Q 1/012
409/203
D530,728 S * 10/2006 Liao D15/124
8,757,036 B2 * 6/2014 Higashio G01B 11/24
82/162
D812,655 S * 3/2018 Holl B24B 19/00
D15/124
D812,657 S * 3/2018 Holl D15/131
2019/0366495 A1 * 12/2019 Shindo B23Q 1/522

FOREIGN PATENT DOCUMENTS

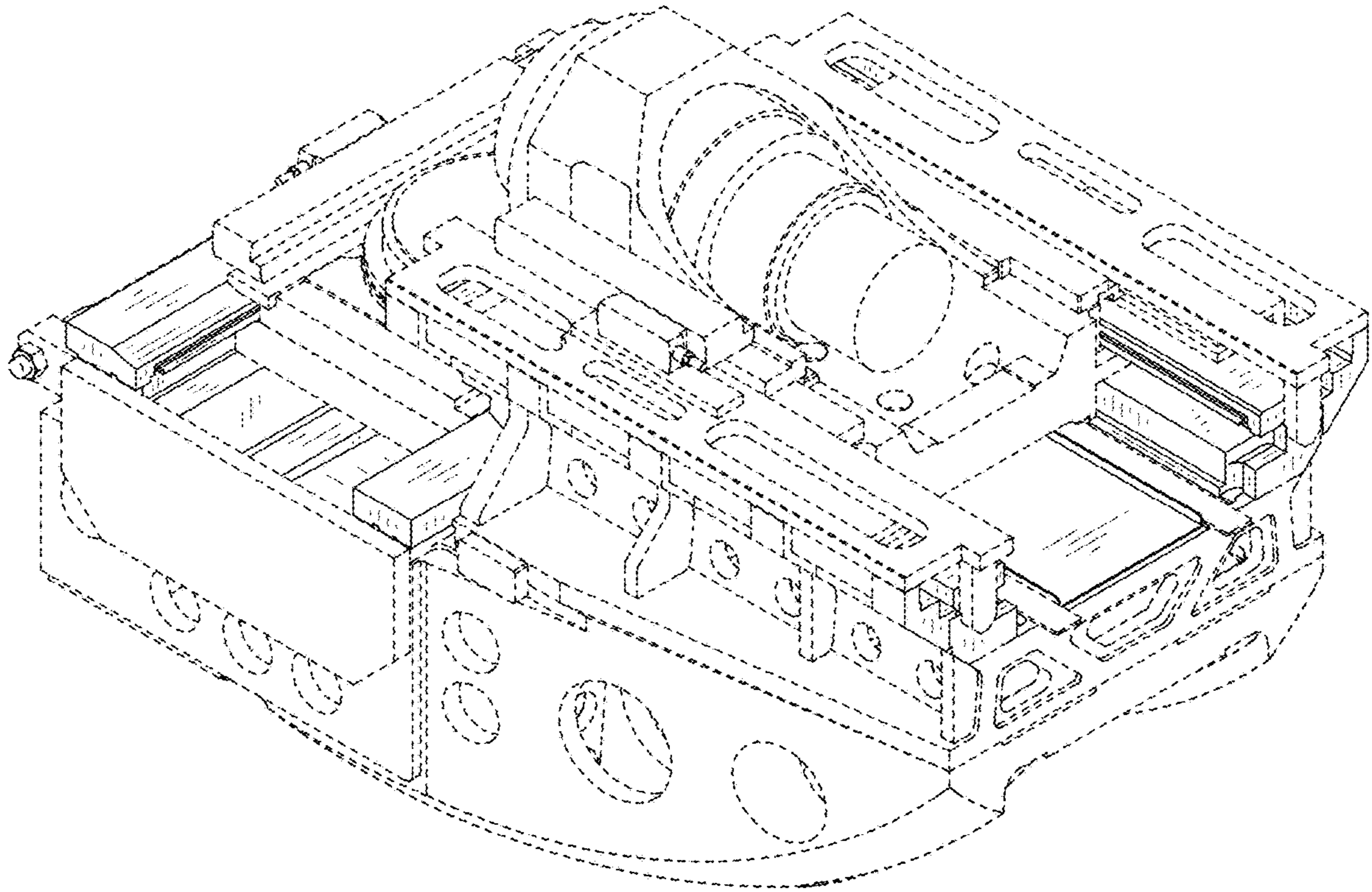
JP 2020-49580 A 4/2020
JP 2020049580 A * 4/2020 B23Q 1/015

* cited by examiner

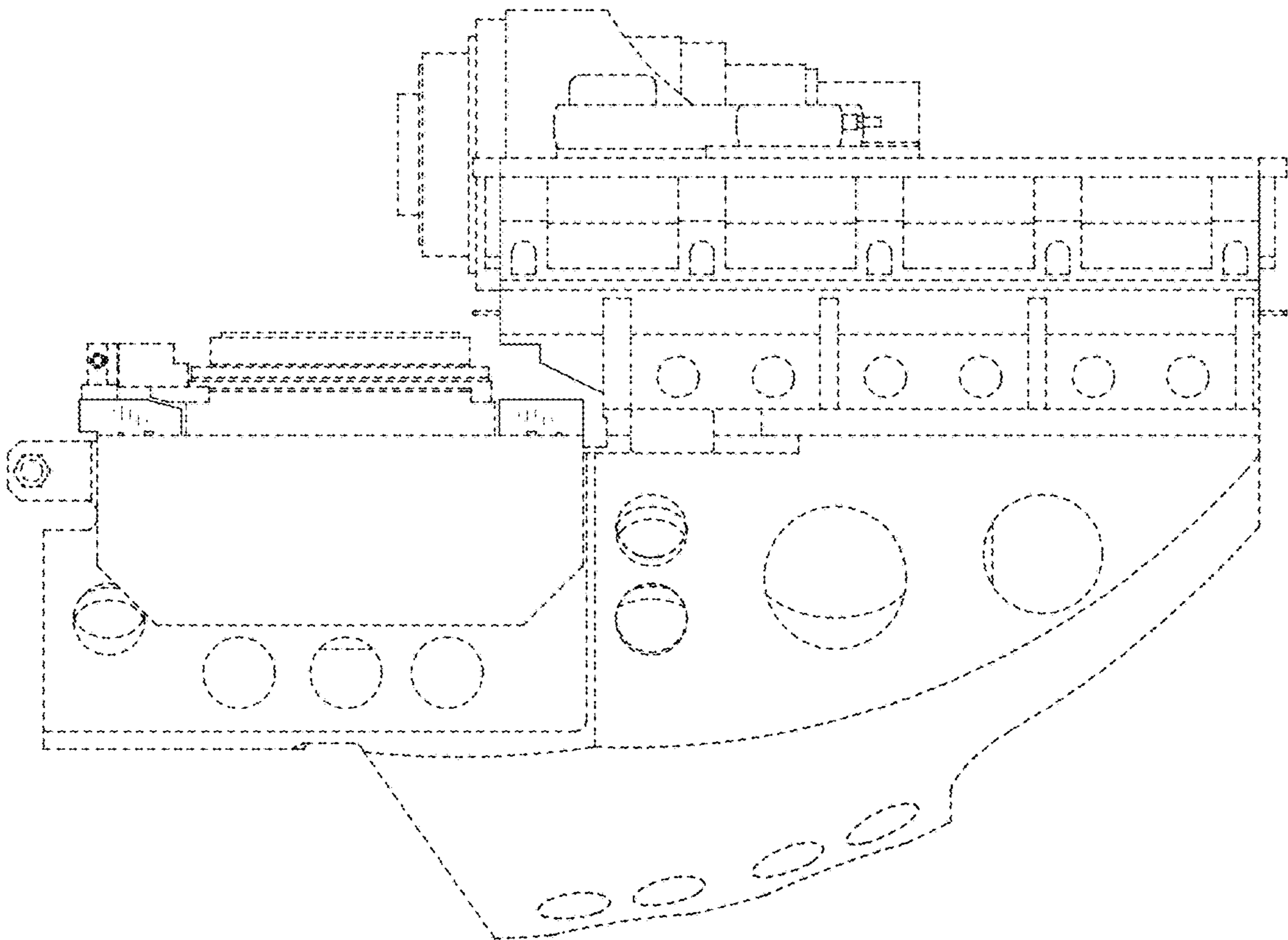
2.1



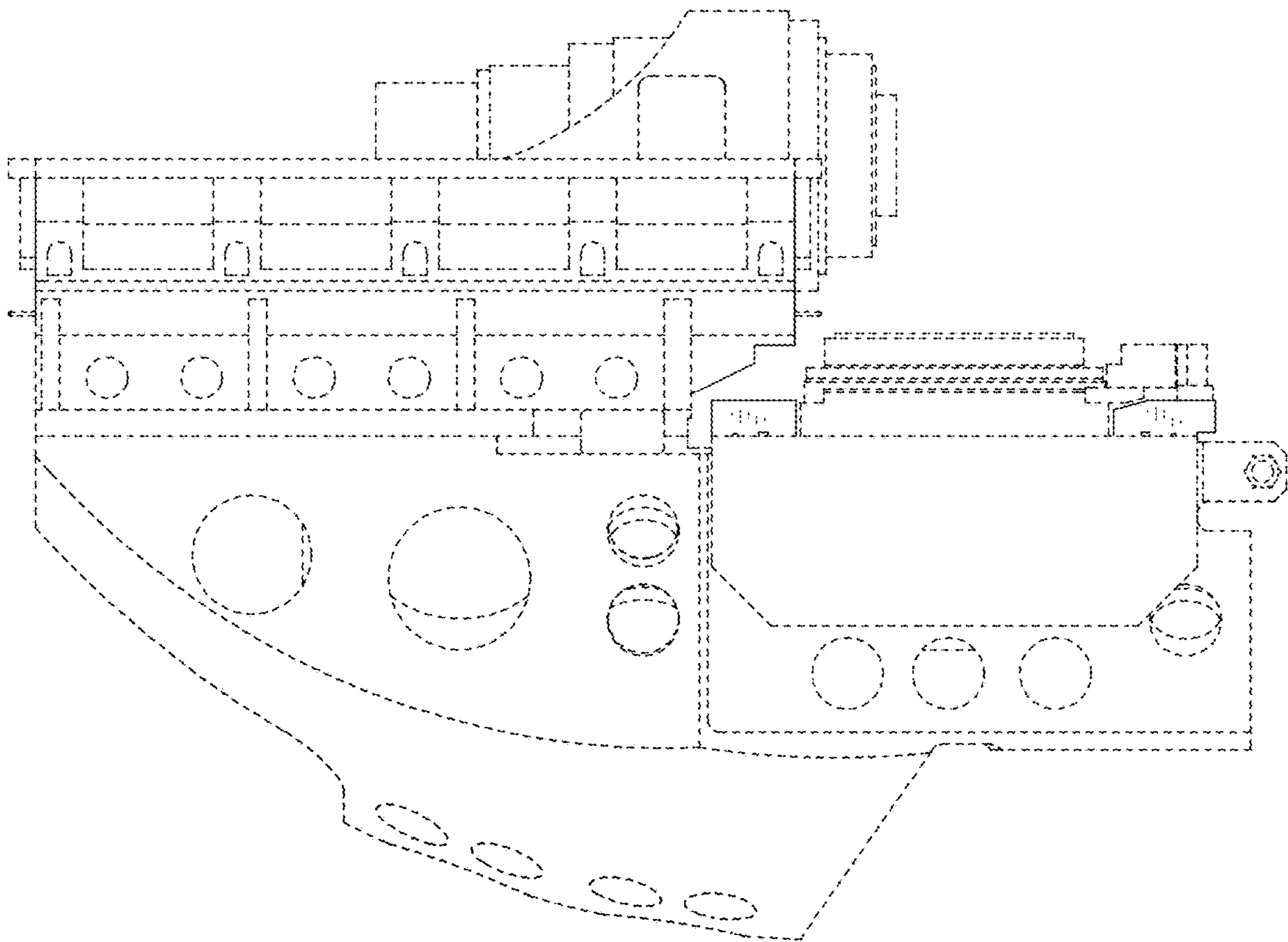
2.2



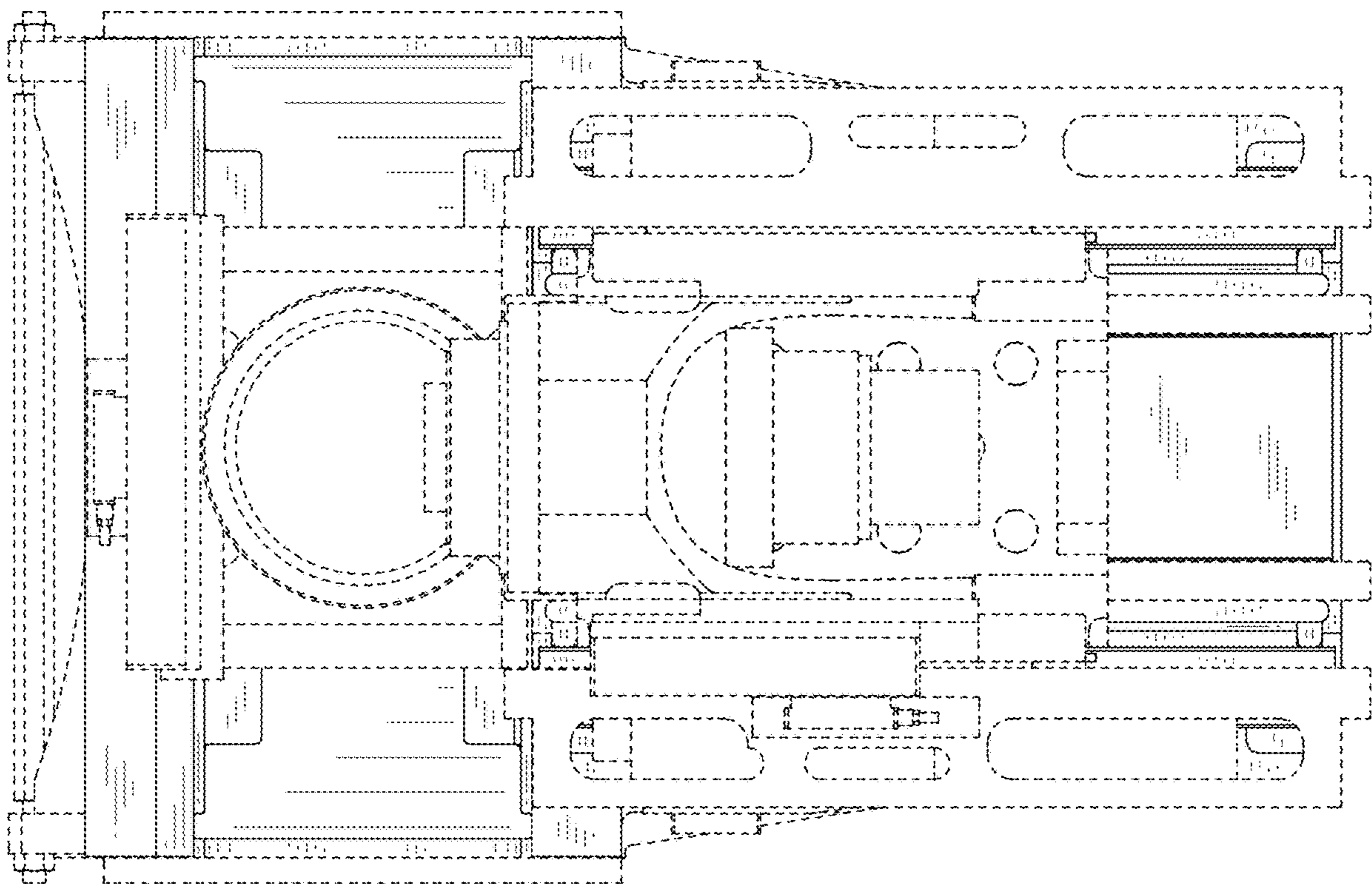
2.3



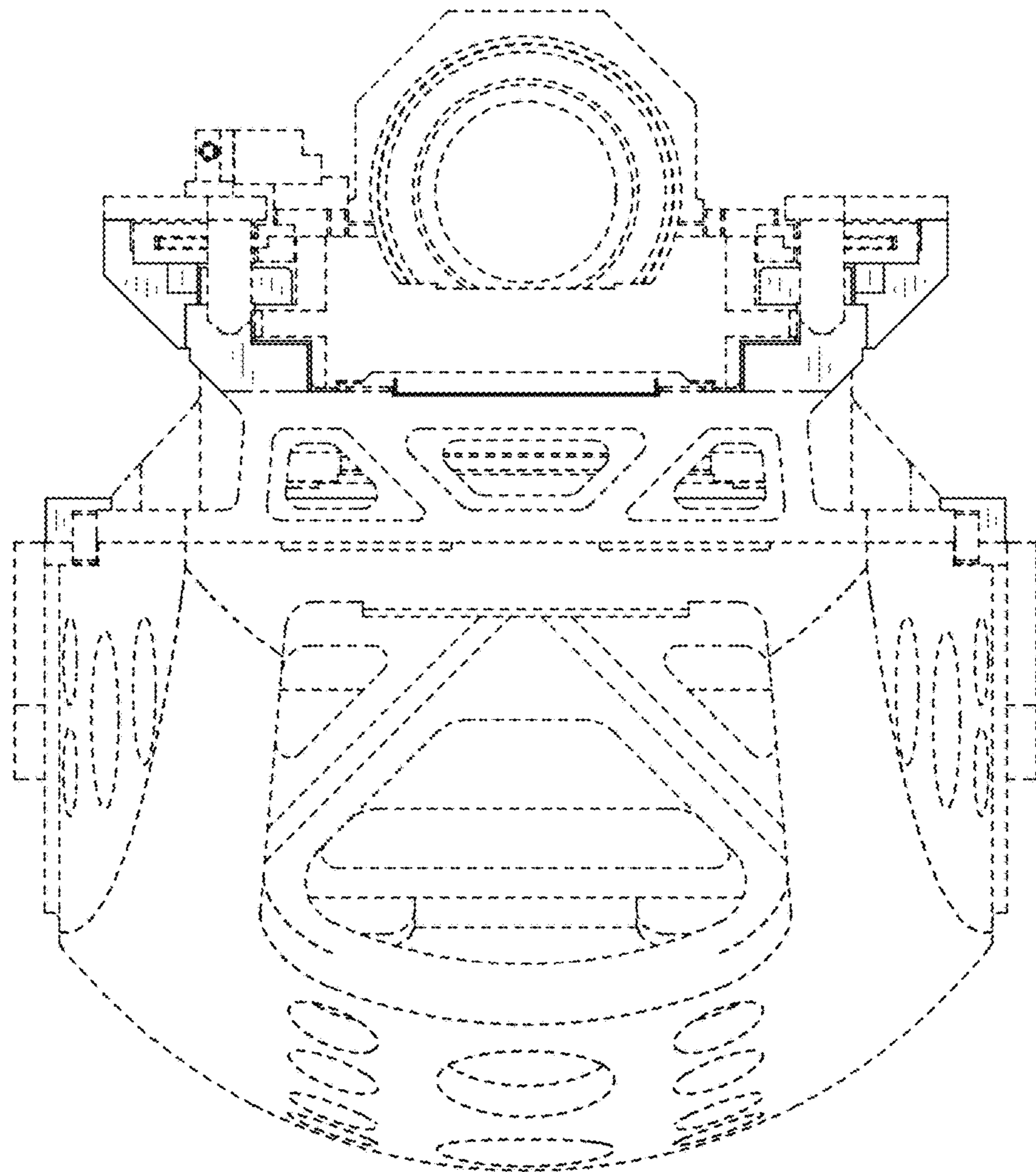
2.4



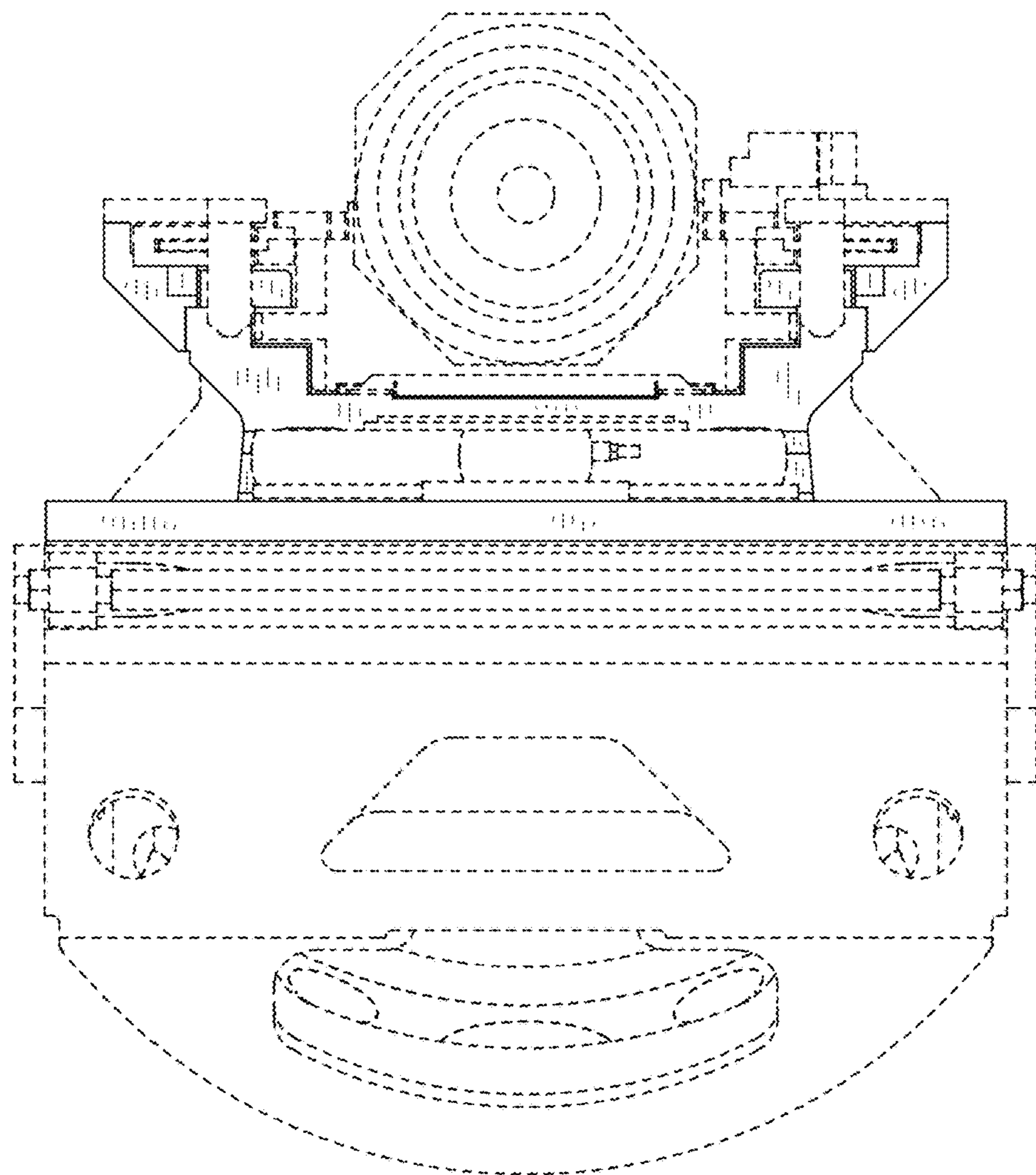
2.5



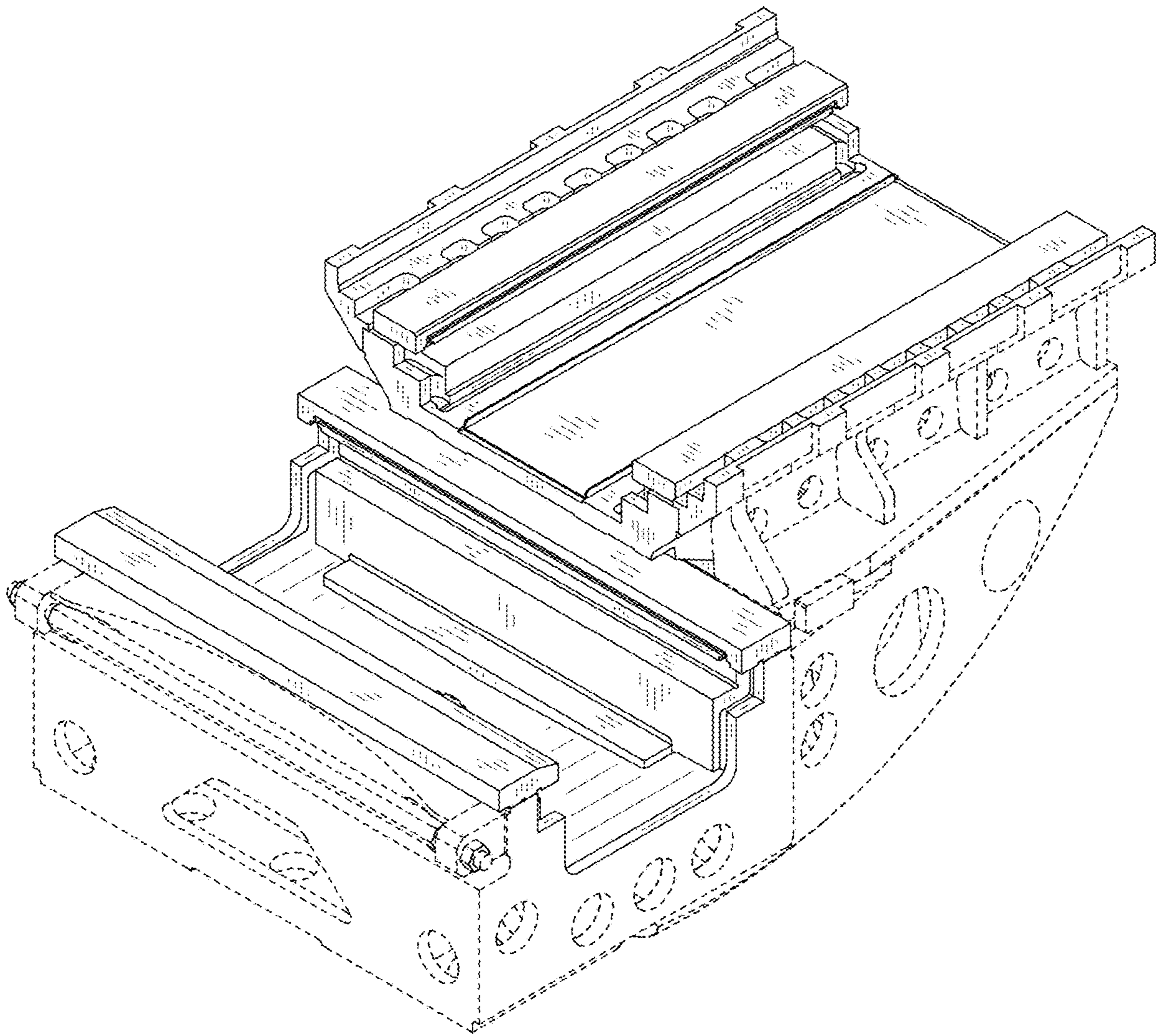
2.6



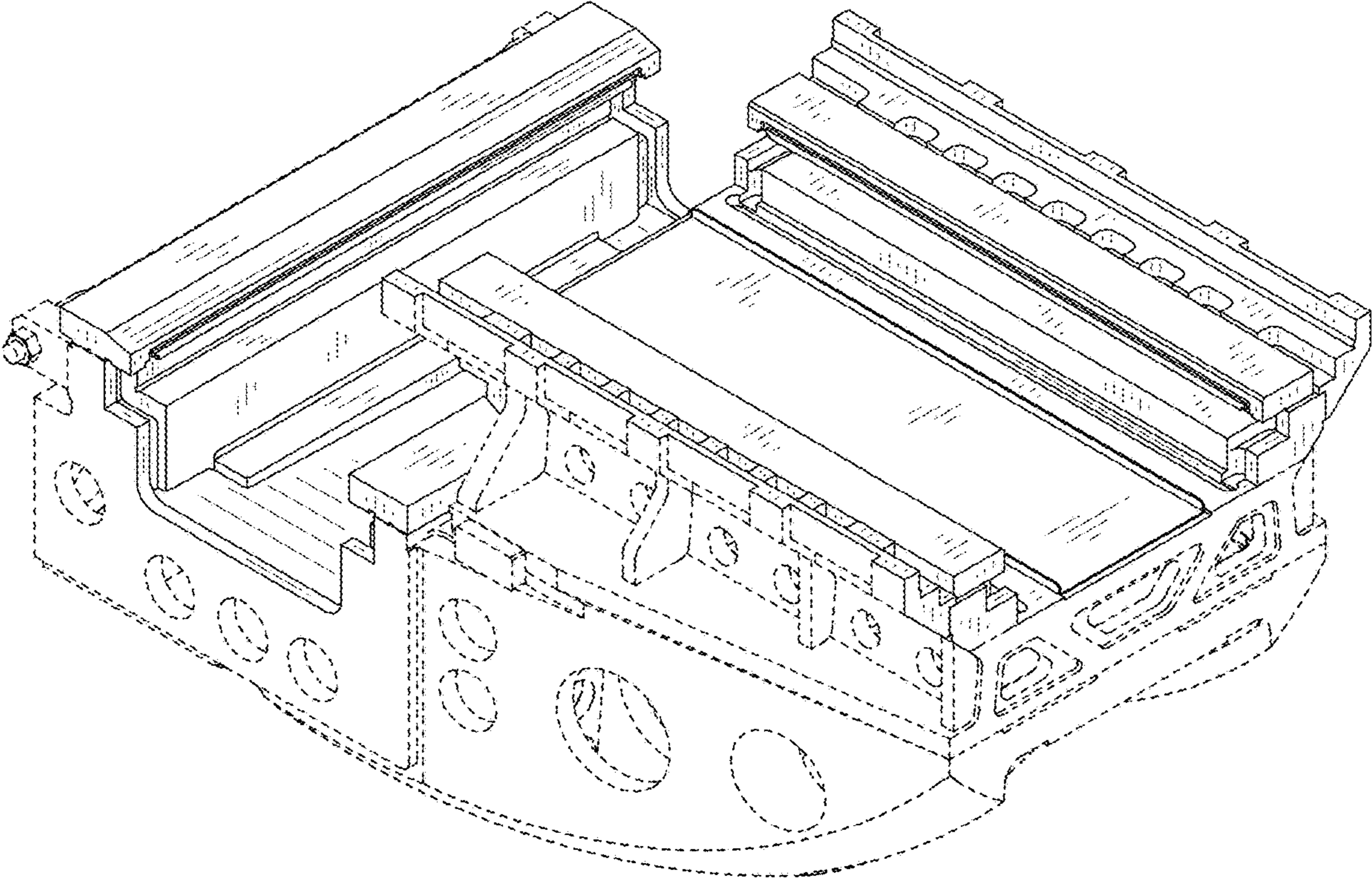
2.7



2.8



2.9



2.10

