

US00D969179S

(12) **United States Design Patent**
Wu

(10) **Patent No.:** **US D969,179 S**
(45) **Date of Patent:** **** Nov. 8, 2022**

- (54) **ICE TRAY**
- (71) Applicant: **Yangjiang Haisheng Industrial Co., Ltd., Yangjiang (CN)**
- (72) Inventor: **Weijie Wu, Wuchuan (CN)**
- (**) Term: **15 Years**
- (21) Appl. No.: **29/787,093**
- (22) Filed: **Jun. 4, 2021**
- (51) **LOC (13) Cl.** **15-07**
- (52) **U.S. Cl.**
USPC **D15/90**
- (58) **Field of Classification Search**
USPC D15/79, 80, 82, 89, 90; D3/313,
D3/200-201, 203.1, 203.3, 205-206,
D3/304-315; D6/672, 675
CPC F25B 21/02; F25B 2321/02; F25B 1/005;
F25B 2321/0252; F25B 1/00; F25B 1/10;
F25B 21/04; F25B 2339/047; F25B 5/02;
F25B 7/00; F25B 13/00; F25B 1/053;
F25B 2309/06; F25B 2321/021; F25B
2321/023; F25D 23/028; F25D 23/02;
F25D 25/025; F25D 23/00; F25D
2323/021; F25D 11/00; F25D 2323/024;
F25D 23/04; F25D 29/00; F25D 25/02;
F25D 25/024; F25D 27/005; F25D 23/12;
F25D 29/005; F25D 17/042; F25D
2325/021
See application file for complete search history.

- D764,552 S * 8/2016 Traub D15/90
- D846,604 S 4/2019 Lopez
- D864,261 S * 10/2019 Hu D15/89
- D879,163 S * 3/2020 Burns D15/90
- D912,097 S * 3/2021 Morris D15/7
- D912,108 S * 3/2021 Morris D15/90
- D949,935 S * 4/2022 Cao D7/672

* cited by examiner

Primary Examiner — Khawaja Anwar

(57) **CLAIM**

The ornamental design for a ice tray, as shown and described.

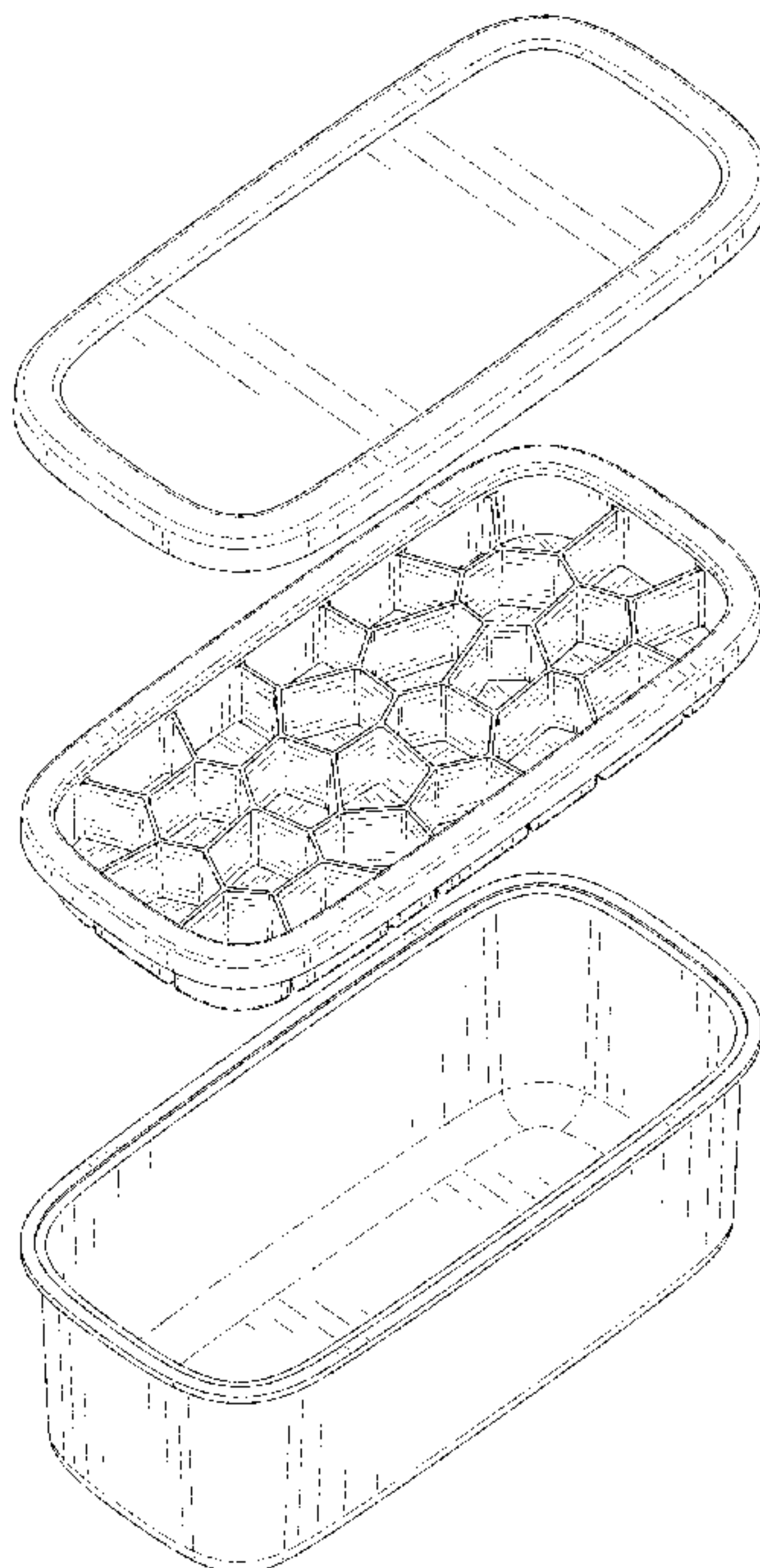
DESCRIPTION

FIG. 1 is a front and top perspective view of a ice tray, showing my new design;
 FIG. 2 is a rear and bottom perspective view thereof;
 FIG. 3 is a front elevation view thereof;
 FIG. 4 is a rear elevation view thereof;
 FIG. 5 is a left side elevation view thereof;
 FIG. 6 is a right side elevation view thereof;
 FIG. 7 is a top plan view thereof;
 FIG. 8 is a bottom plan view thereof;
 FIG. 9 is another perspective view thereof, shown in an alternative position; and,
 FIG. 10 is another perspective view thereof, shown in an alternative position.
 The broken lines in the figures illustrate portions of the ice tray that form no part of the claimed design.

(56) **References Cited**
U.S. PATENT DOCUMENTS

- D152,906 S * 3/1949 Richards D15/90
- D586,830 S * 2/2009 de Groote D15/90

1 Claim, 10 Drawing Sheets



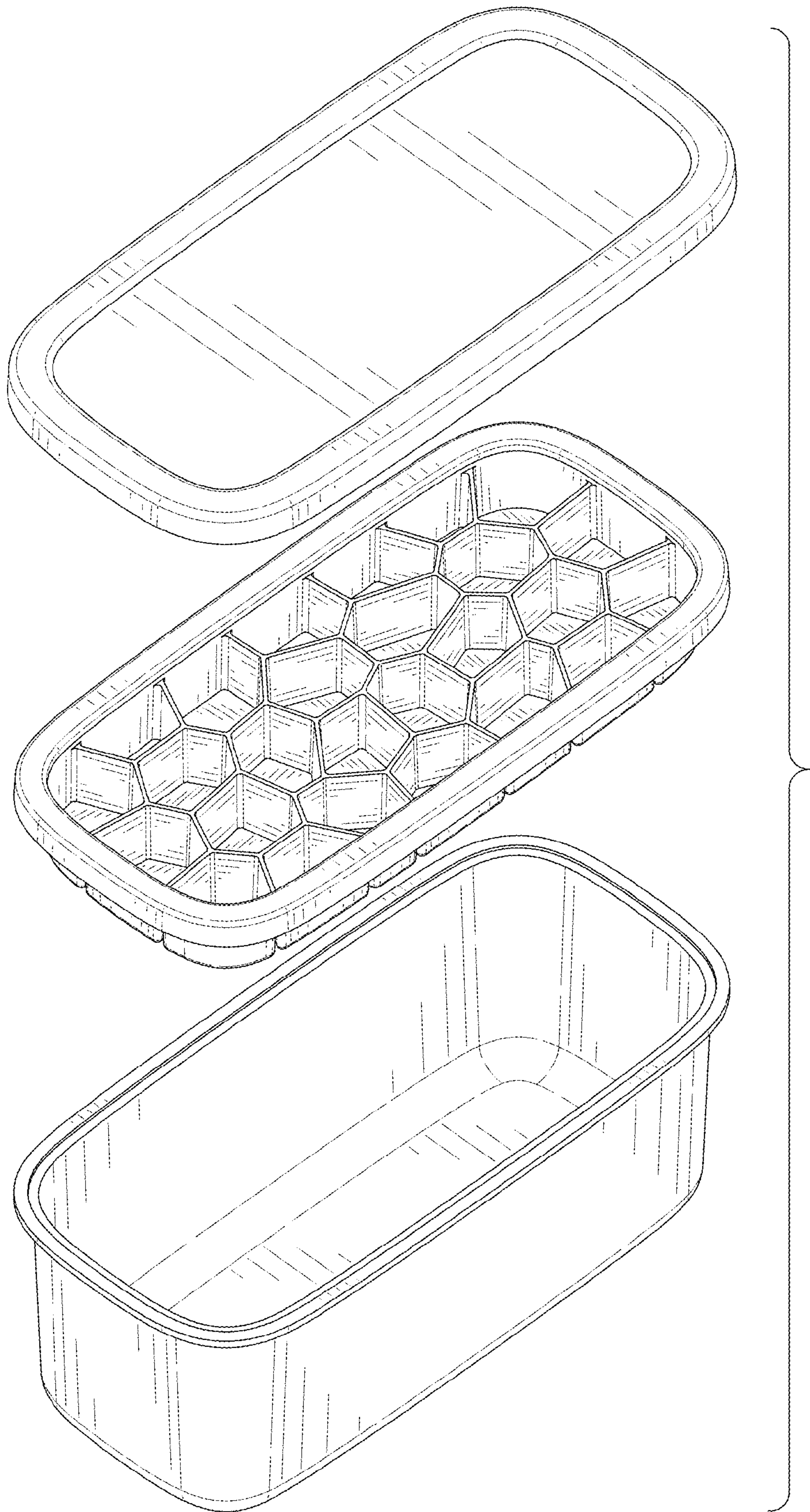


FIG. 1

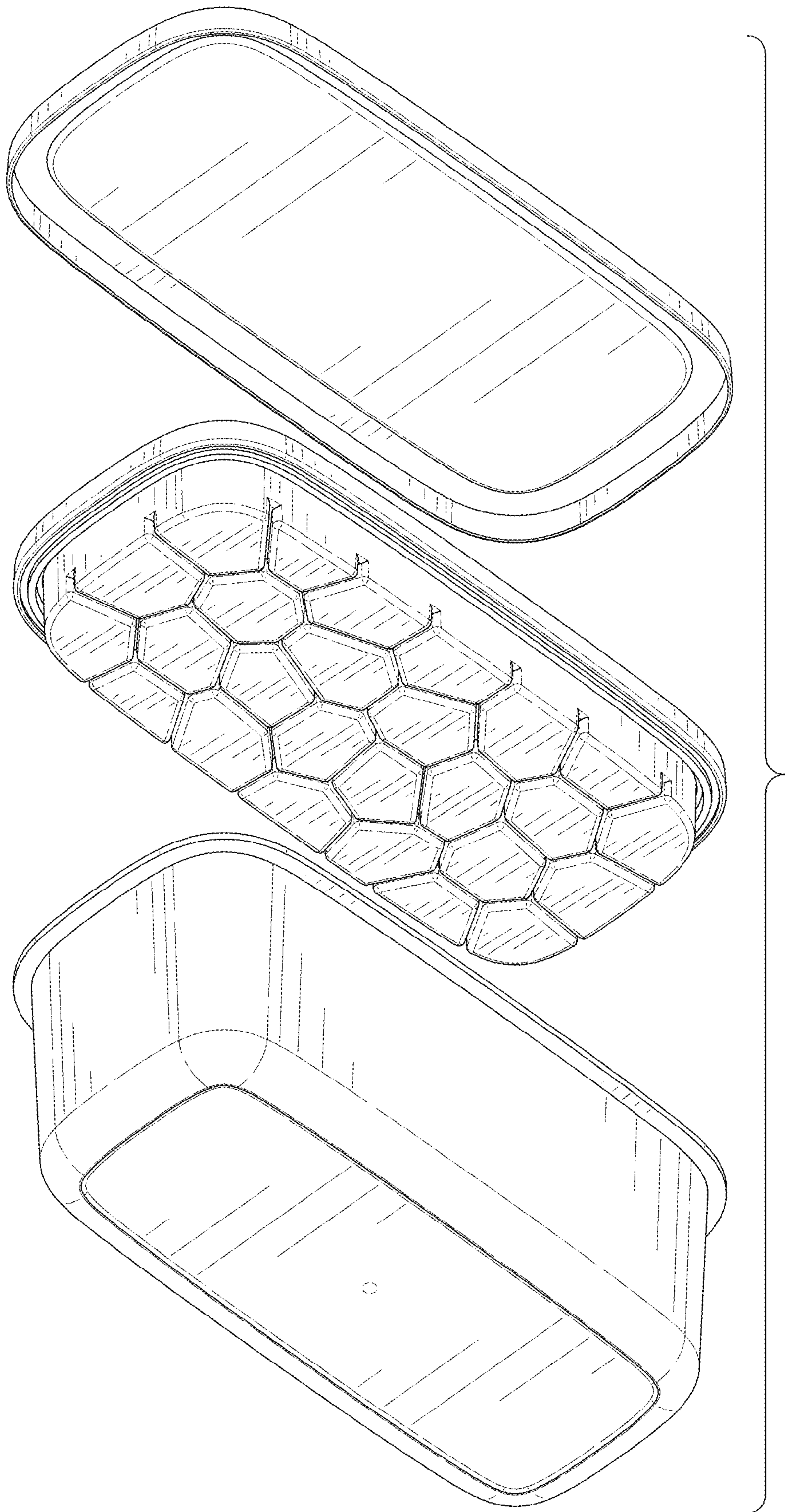


FIG. 2

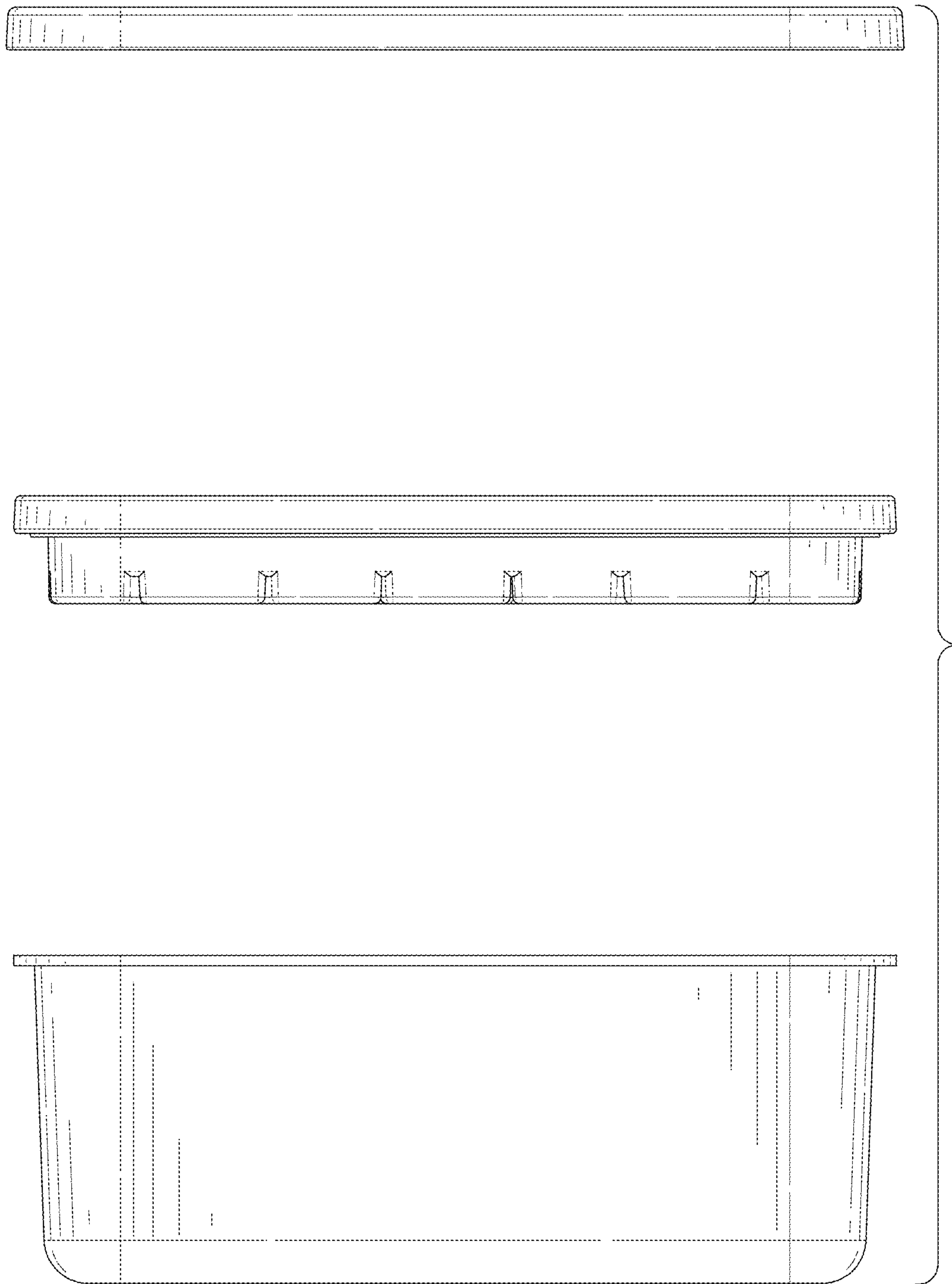


FIG. 3

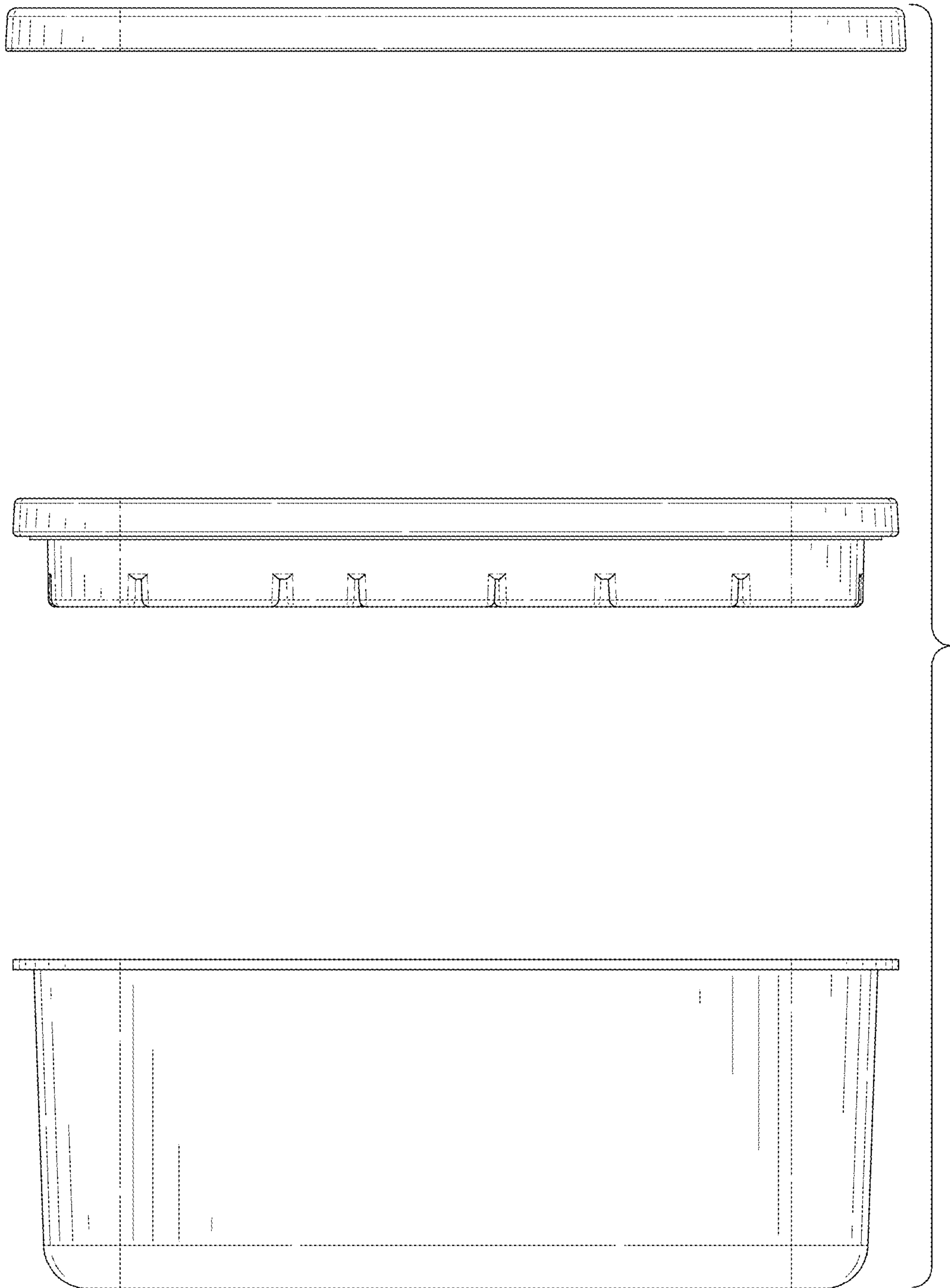


FIG. 4

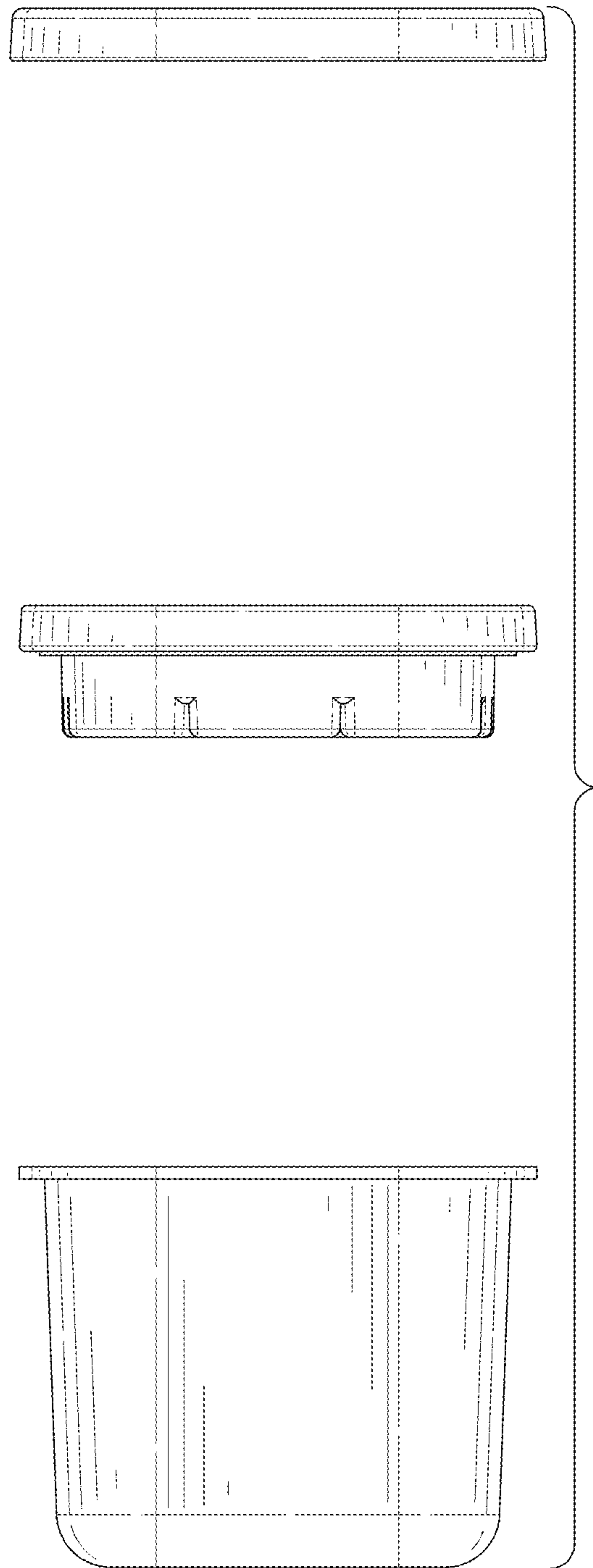


FIG. 5

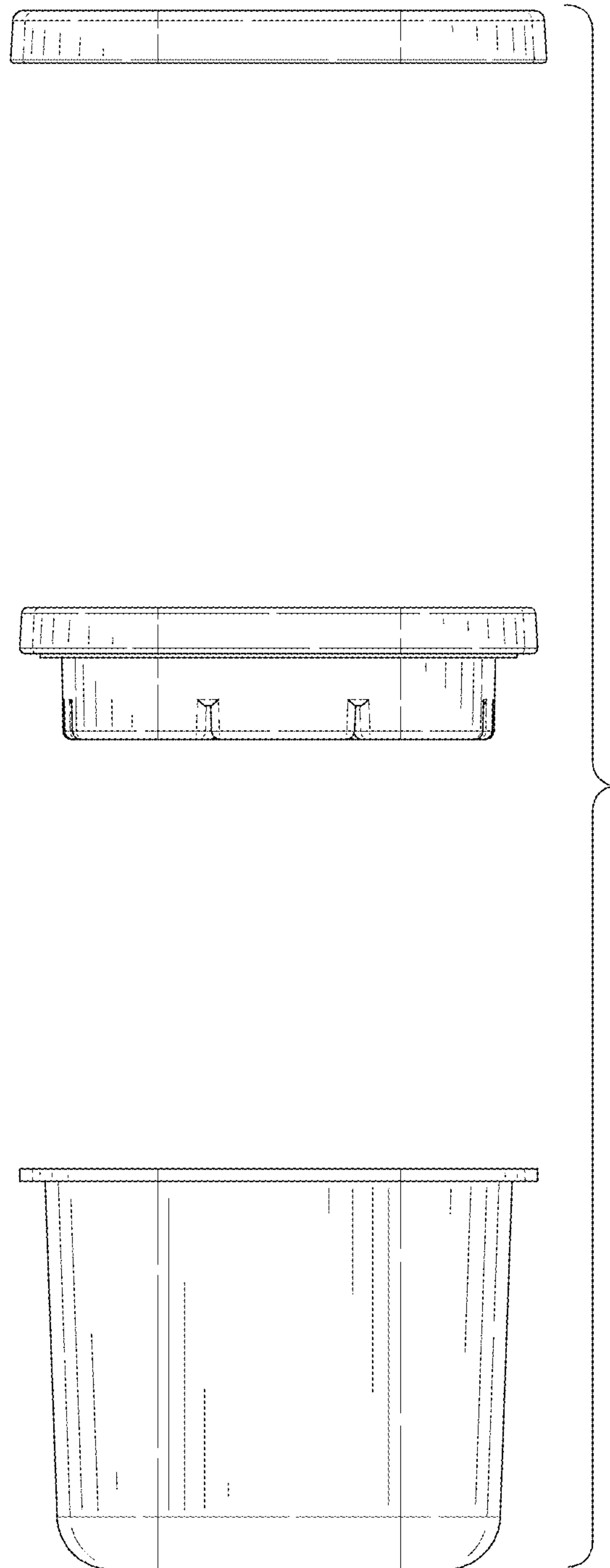


FIG. 6

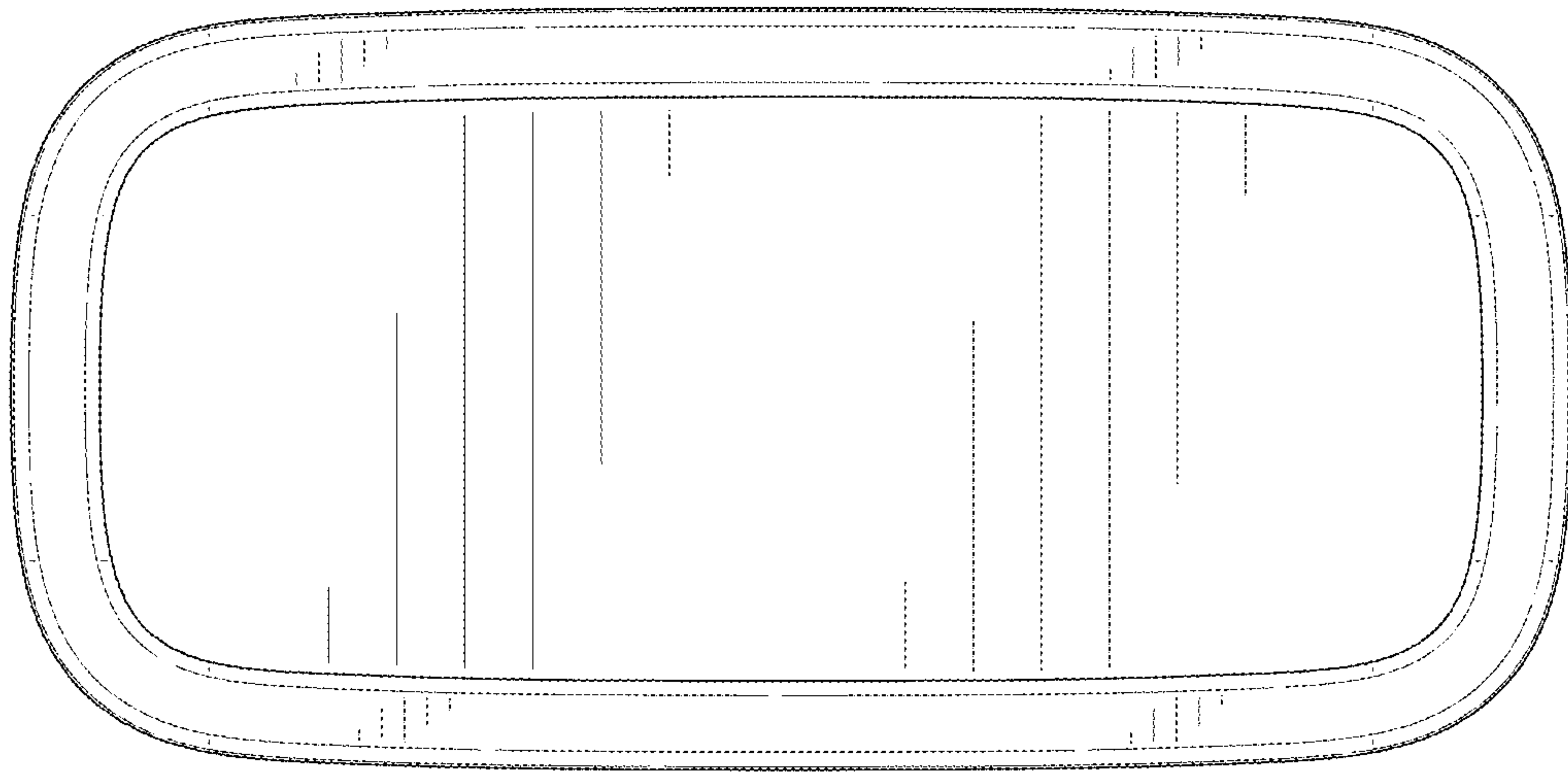


FIG. 7

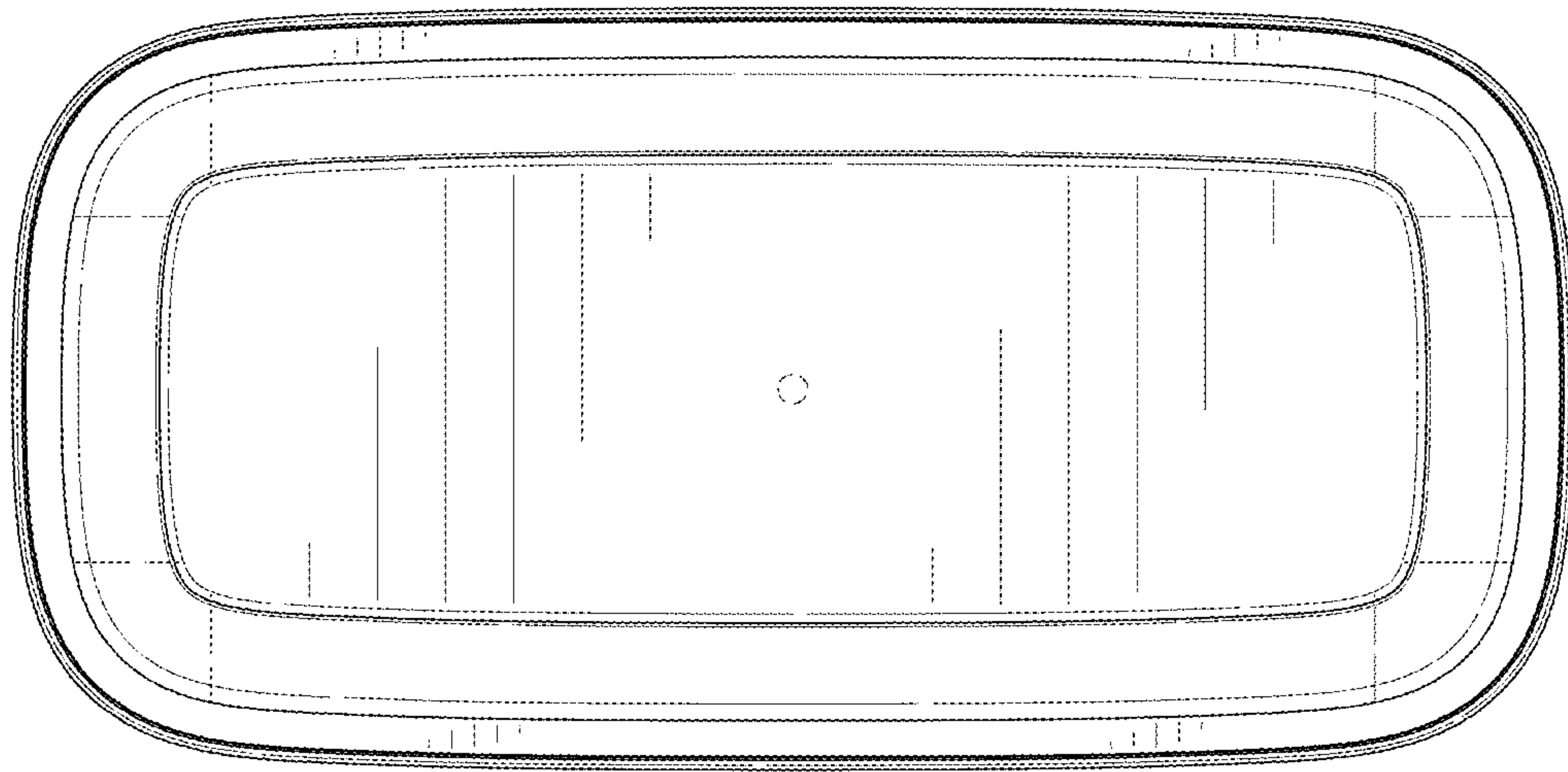


FIG. 8

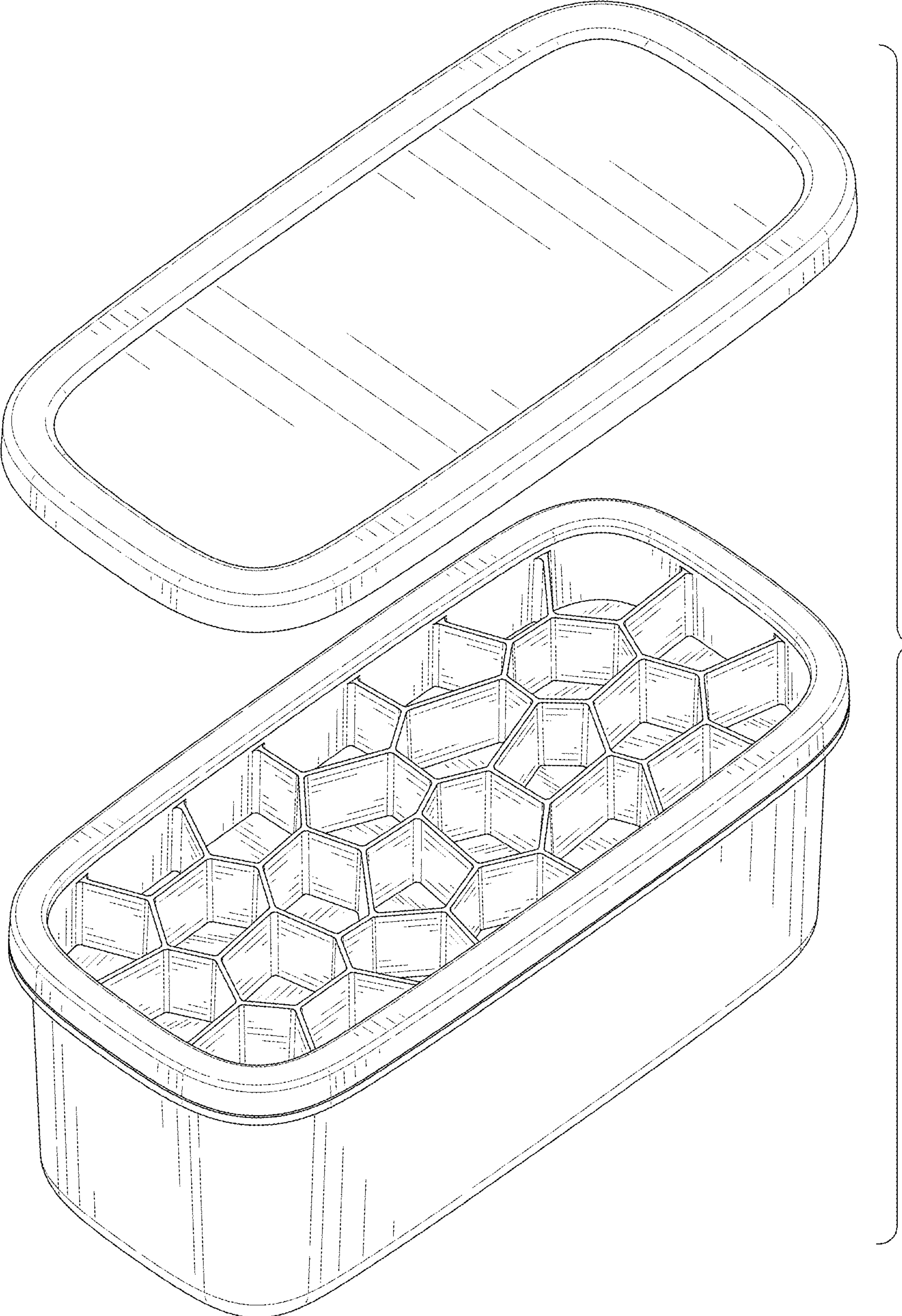


FIG. 9



FIG. 10