



US00D969176S

(12) **United States Design Patent**
Zhao et al.

(10) **Patent No.:** **US D969,176 S**
(45) **Date of Patent:** **** Nov. 8, 2022**

(54) **CAR FRIDGE**

(71) Applicant: **FOSHAN ALPICOOL ELECTRIC APPLIANCE CO., LTD.**, Foshan (CN)

(72) Inventors: **Pizhi Zhao**, Qingyuan (CN); **Tao Zeng**, Foshan (CN); **Junjie Qin**, Nanning (CN); **Jingcheng Chen**, Nanning (CN); **Jingrui Chen**, Shaoguan (CN); **Gangqiang Fan**, Jiujiang (CN)

(73) Assignee: **FOSHAN ALPICOOL ELECTRIC APPLIANCE CO., LTD.**, Foshan (CN)

(**) Term: **15 Years**

(21) Appl. No.: **29/731,380**

(22) Filed: **Apr. 14, 2020**

(30) **Foreign Application Priority Data**

Apr. 7, 2020 (CN) 202030131620.5

(51) **LOC (13) Cl.** **15-07**

(52) **U.S. Cl.**
USPC **D15/79; D15/83**

(58) **Field of Classification Search**
USPC D7/603, 604, 605, 606, 607, 608, 629;
D3/272, 273, 274, 276, 279; D15/79, 80,
D15/81, 83, 85; 62/911

(Continued)

(56) **References Cited**

U.S. PATENT DOCUMENTS

4,724,681 A * 2/1988 Bartholomew F25D 3/06
190/18 A
5,064,088 A * 11/1991 Steffes B65D 43/161
220/837

(Continued)

FOREIGN PATENT DOCUMENTS

CN 305828729 * 6/2020
CN 305836902 * 6/2020

(Continued)

OTHER PUBLICATIONS

ACOPOWER [online] URL: <https://www.amazon.com/LiONCooler-X40A-Battery-Freezer-Rechargeable/dp/B07NMHHKRR> (site visited: Nov. 30, 2021) (Year: 2019).*

(Continued)

Primary Examiner — Jae Liang

Assistant Examiner — Tia Ruth-Renee Polidori

(74) *Attorney, Agent, or Firm* — Jeenam Park

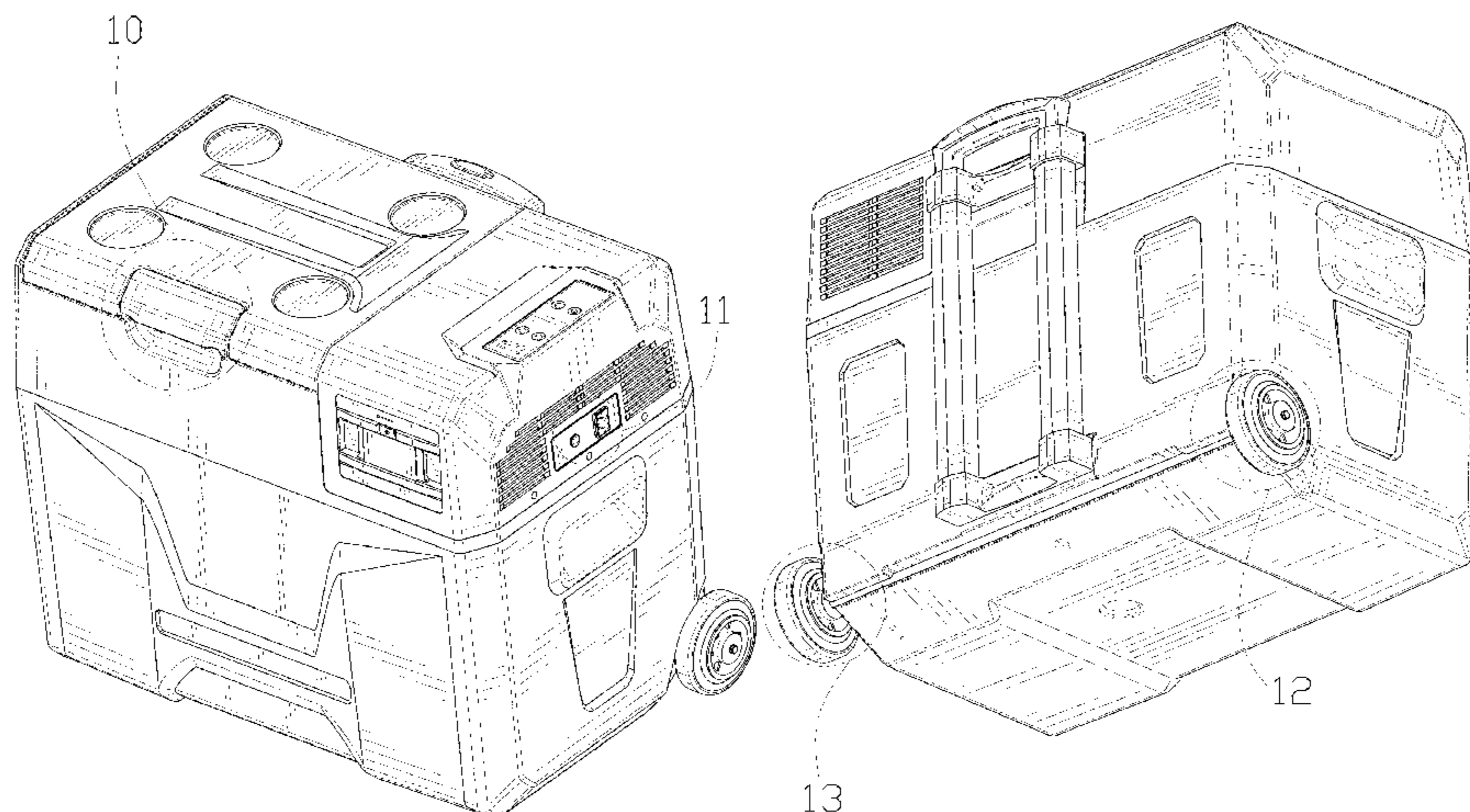
(57) **CLAIM**

The ornamental design for a car fridge, as shown and described.

DESCRIPTION

FIG. 1 is a perspective view of a car fridge showing our new design;
FIG. 2 is another perspective view thereof;
FIG. 3 is a front elevational view thereof;
FIG. 4 is a rear elevational view thereof;
FIG. 5 is a left side elevational view thereof;
FIG. 6 is a right side elevational view thereof;
FIG. 7 is a top plan view thereof;
FIG. 8 is a bottom plan view thereof;
FIG. 9 is a perspective view of the car fridge where the car fridge is in a configuration of use;
FIG. 10 is an enlarged view of portion 10 shown in FIG. 1;
FIG. 11 is an enlarged view of portion 11 shown in FIG. 1;
FIG. 12 is an enlarged view of portion 12 shown in FIG. 2;
and,
FIG. 13 is an enlarged view of portion 13 shown in FIG. 2.
The dash-dash broken lines in the drawings depict portions of the car fridge that form no part of the claimed design and the dot-dash broken lines in the drawings depict partial view indicia that forms no part of the claimed design.

1 Claim, 13 Drawing Sheets



US D969,176 S

(58) Field of Classification Search

CPC F25C 2400/10; G05B 2219/2654; A45C 11/20; A45C 9/00; A45C 5/14; F25D 3/06; F25D 3/107; F25D 2400/12; F25D 2400/38; F25D 31/005; F25D 11/003; F25D 11/006; F25D 23/003; F25D 2323/00277; F25D 2201/10; B65D 81/3813; B65D 81/3818; F25B 19/00

See application file for complete search history.

(56) References Cited

U.S. PATENT DOCUMENTS

5,454,477	A *	10/1995	Bornhorst	B65D 85/30	220/23.4	2005/0263527	A1 *	12/2005	Maldonado	A45C 13/40	220/592.2
5,683,097	A *	11/1997	Fenton	A45C 5/14	280/47.26	2006/0065655	A1 *	3/2006	Taylor	B65D 11/1826	220/6
6,176,499	B1 *	1/2001	Conrado	A45C 5/14	280/47.26	2006/0196218	A1 *	9/2006	Mogil	A45C 11/20	62/457.4
6,216,488	B1 *	4/2001	Rucker	A45B 11/00	62/331	2006/0279052	A1 *	12/2006	Marmah	A47C 1/14	280/47.26
6,305,185	B1 *	10/2001	Sloan	A45C 5/14	62/235.1	2007/0028642	A1 *	2/2007	Glade	F25D 3/06	62/371
6,364,329	B1 *	4/2002	Holub	A45C 5/14	280/47.26	2008/0001373	A1 *	1/2008	Vaughn	B60B 35/10	280/47.26
D528,368	S *	9/2006	Maldonado	D7/605		2008/0245793	A1 *	10/2008	Hanson	A45C 11/20	220/263
7,143,601	B1 *	12/2006	Jimenez	F25D 23/12	62/457.7	2009/0217699	A1 *	9/2009	Ball	A45C 11/20	62/457.7
D552,426	S *	10/2007	Jones	D7/605		2009/0260546	A1 *	10/2009	George	A45C 11/20	108/26
D613,560	S *	4/2010	Robichaud	D7/605		2010/0133326	A1 *	6/2010	Sanchez	B65D 81/3876	229/87.03
7,870,937	B1 *	1/2011	Arnao	A45C 9/00	190/1	2010/0263398	A1 *	10/2010	Webb	F25D 3/08	62/331
7,984,997	B1 *	7/2011	Sandberg	F21S 9/03	362/101	2011/0226003	A1 *	9/2011	Chaney	B62B 1/20	62/457.7
8,256,156	B1 *	9/2012	Burgoyne, Jr.	A01K 97/06	43/54.1	2012/0228074	A1 *	9/2012	Osler	A45C 7/0045	190/18 A
9,448,000	B2 *	9/2016	Patsis	B62B 1/10		2012/0318177	A1 *	12/2012	Piazza, Jr.	A45C 9/00	108/14
9,476,638	B1 *	10/2016	Tyler	F25D 3/06		2013/0082044	A1 *	4/2013	Doan	H05B 6/6426	219/387
9,671,158	B1 *	6/2017	Sandberg	F25D 27/00		2013/0168882	A1 *	7/2013	Lykins	B62B 1/125	261/136
D792,486	S *	7/2017	Li	D15/81		2013/0207359	A1 *	8/2013	Vanderberg	B62B 5/067	280/30
9,726,424	B1 *	8/2017	Sandberg	F21V 23/0414		2013/0207360	A1 *	8/2013	Vanderberg	A45C 11/20	280/30
D807,707	S *	1/2018	Grepper	D7/605		2015/0010189	A1 *	1/2015	Besay	H04R 1/028	381/334
D807,708	S *	1/2018	Grepper	D7/605		2015/0114024	A1 *	4/2015	Grepper	B01F 7/0025	62/320
D815,919	S *	4/2018	DeFrancia	D7/605		2015/0267956	A1 *	9/2015	Miller	F25D 27/00	62/457.7
9,976,789	B2 *	5/2018	Grepper	A45C 11/20		2015/0300720	A1 *	10/2015	Anderson	F25D 3/08	62/398
D836,993	S *	1/2019	Meda	D7/605		2015/0338159	A1 *	11/2015	Watson	F25D 3/06	220/592.03
D836,994	S *	1/2019	Meda	D7/605		2016/0023349	A1 *	1/2016	Hoppe	A45C 7/0045	280/655.1
D836,995	S *	1/2019	Carey	D7/605		2016/0025400	A1 *	1/2016	Van Wuffen	A23L 3/364	426/418
D844,324	S *	4/2019	Hoppe	D3/279		2016/0097551	A1 *	4/2016	Johnson	F24F 5/0021	62/411
D850,217	S *	6/2019	Kittel, III	D7/605		2016/0150862	A1 *	6/2016	Tonelli	A45C 13/262	190/18 A
D851,138	S *	6/2019	Murabayashi	D15/81		2016/0153690	A1 *	6/2016	Patsis	B65D 25/28	222/608
D863,892	S *	10/2019	Ellison	D7/605		2016/0183677	A1 *	6/2016	Achillopoulos	A45C 5/14	190/11
D863,893	S *	10/2019	Ellison	D7/605		2016/0187046	A1 *	6/2016	Chen	A45C 11/20	62/239
D869,244	S *	12/2019	Ellison	D7/605		2016/0244081	A1 *	8/2016	Chaloux	A45C 15/00	
D873,085	S *	1/2020	DeFrancia	D7/605		2016/0272405	A1 *	9/2016	Furneaux	B65D 25/38	
D883,752	S *	5/2020	Carey	D7/605		2017/0023289	A1 *	1/2017	Anderson	F25D 3/08	
D884,434	S *	5/2020	Merlino	D7/605		2017/0023290	A1 *	1/2017	Demuth	F25D 25/022	
10,641,538	B1 *	5/2020	Tang	F25D 23/06		2017/0027386	A1 *	2/2017	Bungard	A47J 41/0055	
D887,788	S *	6/2020	Meda	D7/605		2017/0043800	A1 *	2/2017	Chaloux	B62B 1/12	
D888,503	S *	6/2020	Meda	D7/605		2017/0043906	A1 *	2/2017	Ravenscraft, Jr.	B62B 1/10	
10,731,919	B1 *	8/2020	Gutierrez	F25D 27/005		2017/0082342	A1 *	3/2017	Weinberg	A63B 67/002	
D905,129	S *	12/2020	Deng	D15/81		2017/0129097	A1 *	5/2017	Engvall	B25H 1/04	
D906,377	S *	12/2020	Tang	D15/79		2017/0234596	A1 *	8/2017	Patsis	A45C 11/20	220/592.2
D907,074	S *	1/2021	Yang	D15/83		2017/0314845	A1 *	11/2017	Tang	H04R 1/2807	
10,967,896	B2 *	4/2021	Kravchenko	B62B 1/26		2017/0370629	A1 *	12/2017	Fire	B67D 1/0874	
D917,977	S *	5/2021	Brunner	D7/605		2018/0009588	A1 *	1/2018	Grogan	F25B 21/04	
D922,148	S *	6/2021	Yang	D7/605		2018/0015938	A1 *	1/2018	DeFrancia	B62B 5/067	
D922,454	S *	6/2021	Tang	D15/79		2018/0100682	A1 *	4/2018	Nilsen	F25D 16/00	
11,027,885	B2 *	6/2021	Duong	B65D 25/2841								
D927,939	S *	8/2021	Ellison	D7/605								
D929,188	S *	8/2021	Pennington	D7/605								
D929,189	S *	8/2021	Pennington	D7/605								
D937,328	S *	11/2021	Tang	D15/79								
2005/0081558	A1 *	4/2005	Yoshida	F25D 11/003	62/457.9							

(56)

References Cited

U.S. PATENT DOCUMENTS

2018/0127007 A1* 5/2018 Kravchenko B62B 1/04
 2018/0141718 A1* 5/2018 Ahlstrom B65D 25/2841
 2018/0141739 A1* 5/2018 Hengen A45C 5/14
 2018/0149400 A1* 5/2018 Valencia F25D 3/06
 2018/0161975 A1* 6/2018 Brunner B25H 3/02
 2018/0194533 A1* 7/2018 Bramwell A61D 7/00
 2018/0238607 A1* 8/2018 Lagasse F25D 3/06
 2018/0274837 A1* 9/2018 Christensen A47G 23/02
 2019/0059539 A1* 2/2019 Russell A45C 9/00
 2019/0145673 A1* 5/2019 Hoffmann H02J 3/46
 62/235.1
 2019/0216193 A1* 7/2019 Kabalin B60B 3/001
 2019/0277552 A1* 9/2019 Vu F25D 23/025
 2019/0329811 A1* 10/2019 Jones B62B 5/00
 2019/0330041 A1* 10/2019 Fire F25D 3/06
 2020/0062454 A1* 2/2020 Duong B65D 25/2841
 2020/0132356 A1* 4/2020 Tang F25D 11/00
 2020/0140165 A1* 5/2020 Soto B65D 81/3813
 2020/0187615 A1* 6/2020 Hockaday, Jr. A45C 5/14
 2020/0196725 A1* 6/2020 Tonelli A45C 13/26
 2020/0216229 A1* 7/2020 Guan B65D 25/2841
 2020/0217571 A1* 7/2020 Guan F25D 11/02
 2020/0217574 A1* 7/2020 Thelin B65D 81/3813
 2021/0018250 A1* 1/2021 Tang F25B 27/00
 2021/0070523 A1* 3/2021 Iyer B65D 43/022
 2021/0154824 A1* 5/2021 Barton A45C 13/1084
 2021/0229893 A1* 7/2021 Maldonado B65D 43/22
 2021/0284426 A1* 9/2021 Kalajyan B65D 45/00

2021/0285710 A1* 9/2021 Barros F25D 3/06
 2021/0285716 A1* 9/2021 Kalajyan B65D 25/2841
 2021/0296711 A1* 9/2021 Zhao B60H 1/00
 2021/0362906 A1* 11/2021 Brunner B62B 1/14

FOREIGN PATENT DOCUMENTS

CN 306236865 * 12/2020
 CN 306236866 * 12/2020
 CN 306236867 * 12/2020

OTHER PUBLICATIONS

Lotocool [online] URL: <https://m.made-in-china.com/product/Lotocool-Lt-30e-Car-Home-Outdoor-Compressor-Solar-Freezer-with-Wheel-Car-Fridge-1933781905.html> (site visited: Dec. 13, 2021) (Year: 2021).*

KITGARN [online] URL: <https://www.amazon.co.uk/KITGARN-Compressor-Portable-Refrigerator-Electric/dp/B07Z3QW8GP> (site visited: Jun. 2, 2022) (Year: 2020).*

YetiCool [online] URL: <https://www.amazon.de/-/en/BX40-YetiCool-Cool-Box/dp/B0873B5WYP> (site visited: Jun. 2, 2022) (Year: 2020).*

EXC50 [online] URL: https://www.alibaba.com/product-detail/ECX50-50L-Mini-Car-Fridge-freezer_1600253693164.html (site visited: Jun. 2, 2022) (Year: 2022).*

Rovin [online] URL: <https://sydneytools.com.au/product/rovin-gh2228-40l-portable-fridgefreezer> (site visited: Jun. 2, 2022) (Year: 2022).*

* cited by examiner

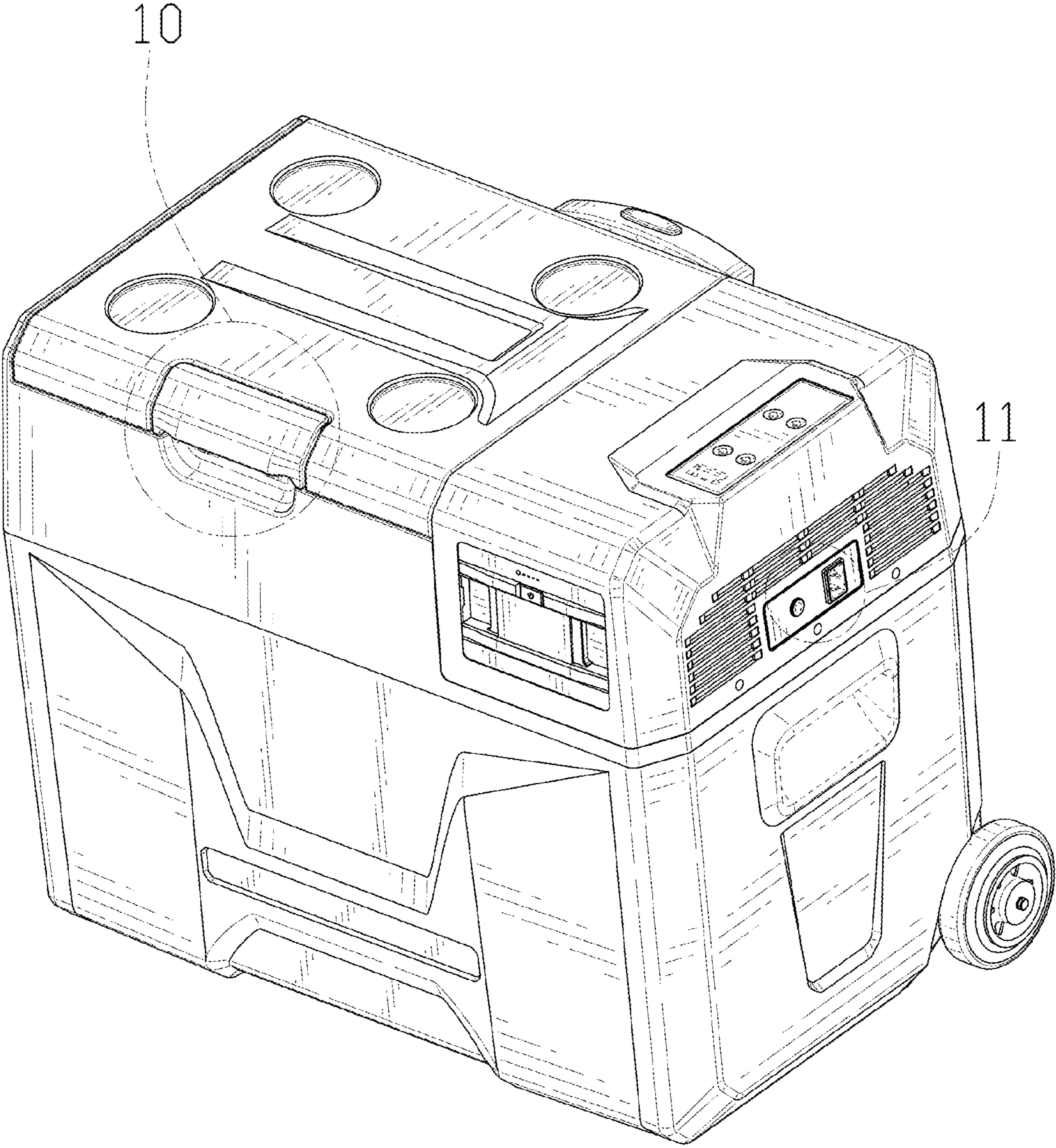


FIG. 1

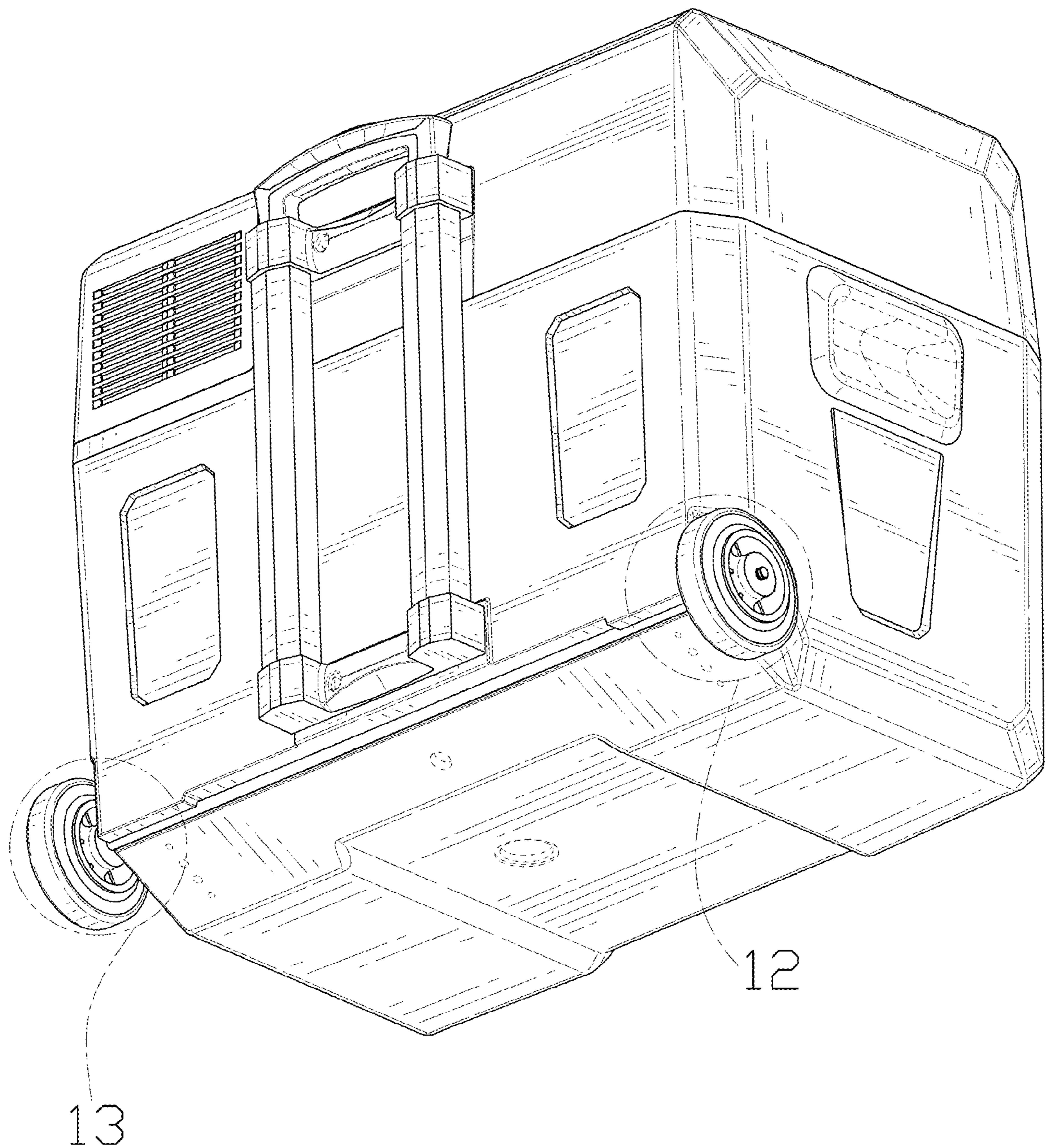


FIG. 2

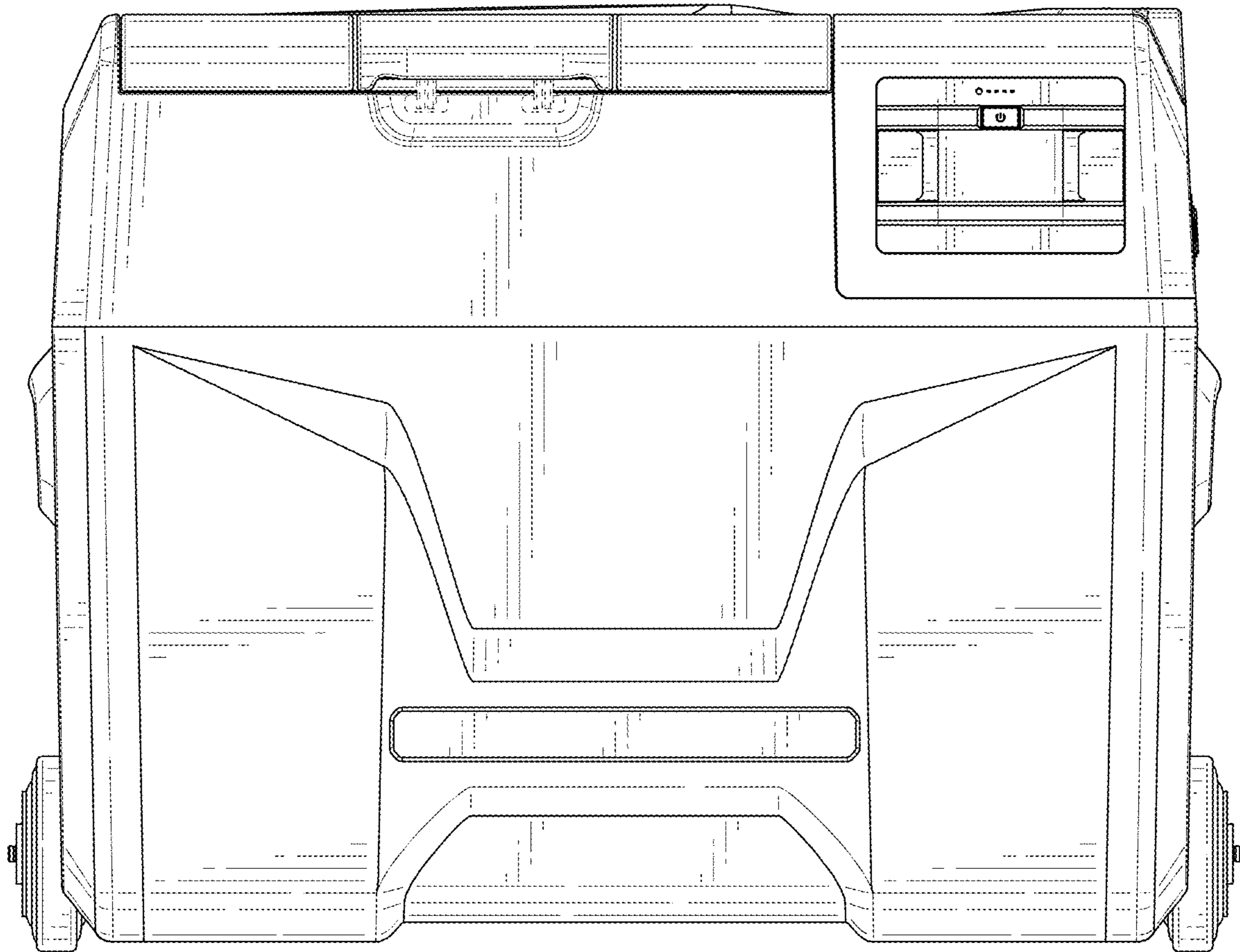


FIG. 3

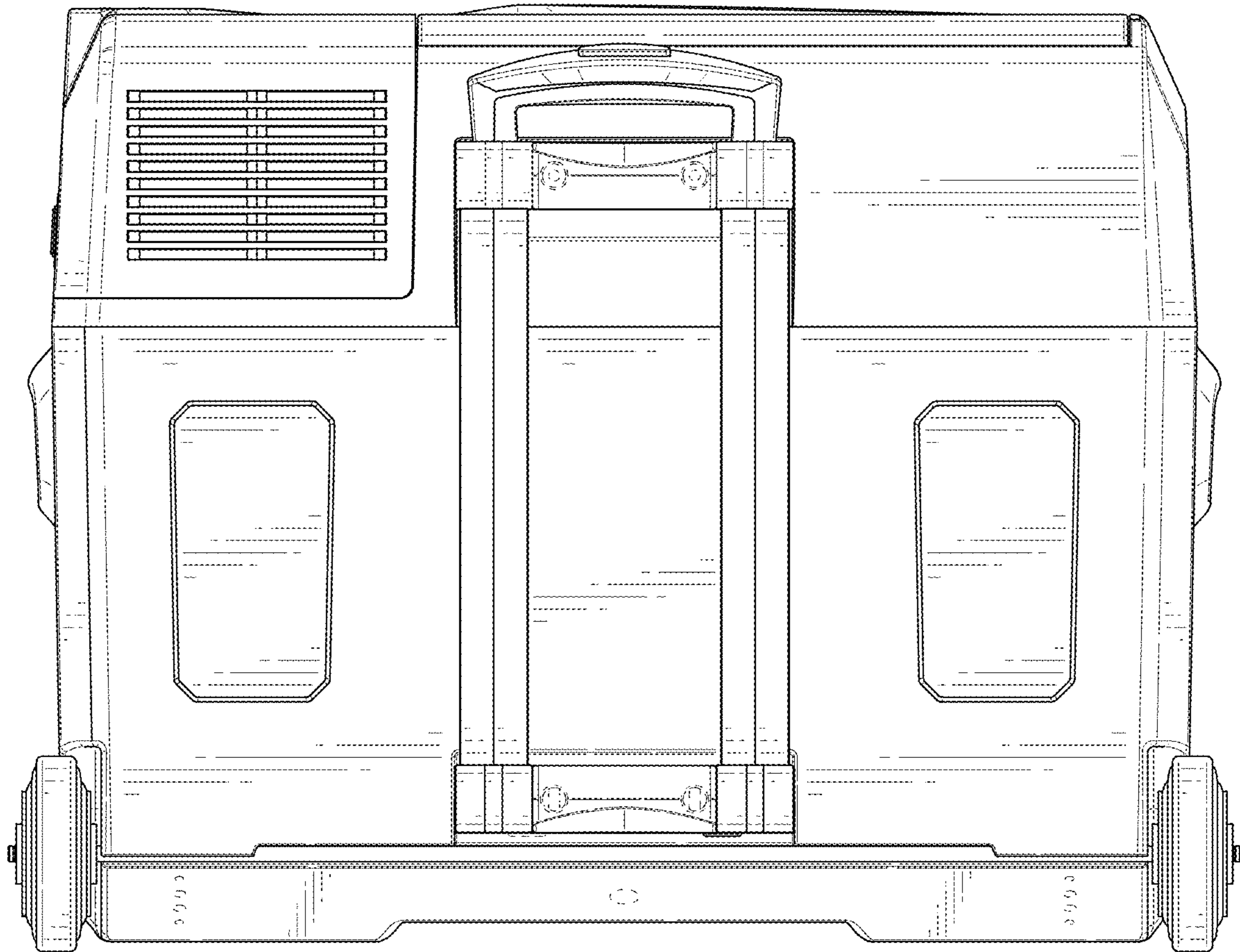


FIG. 4

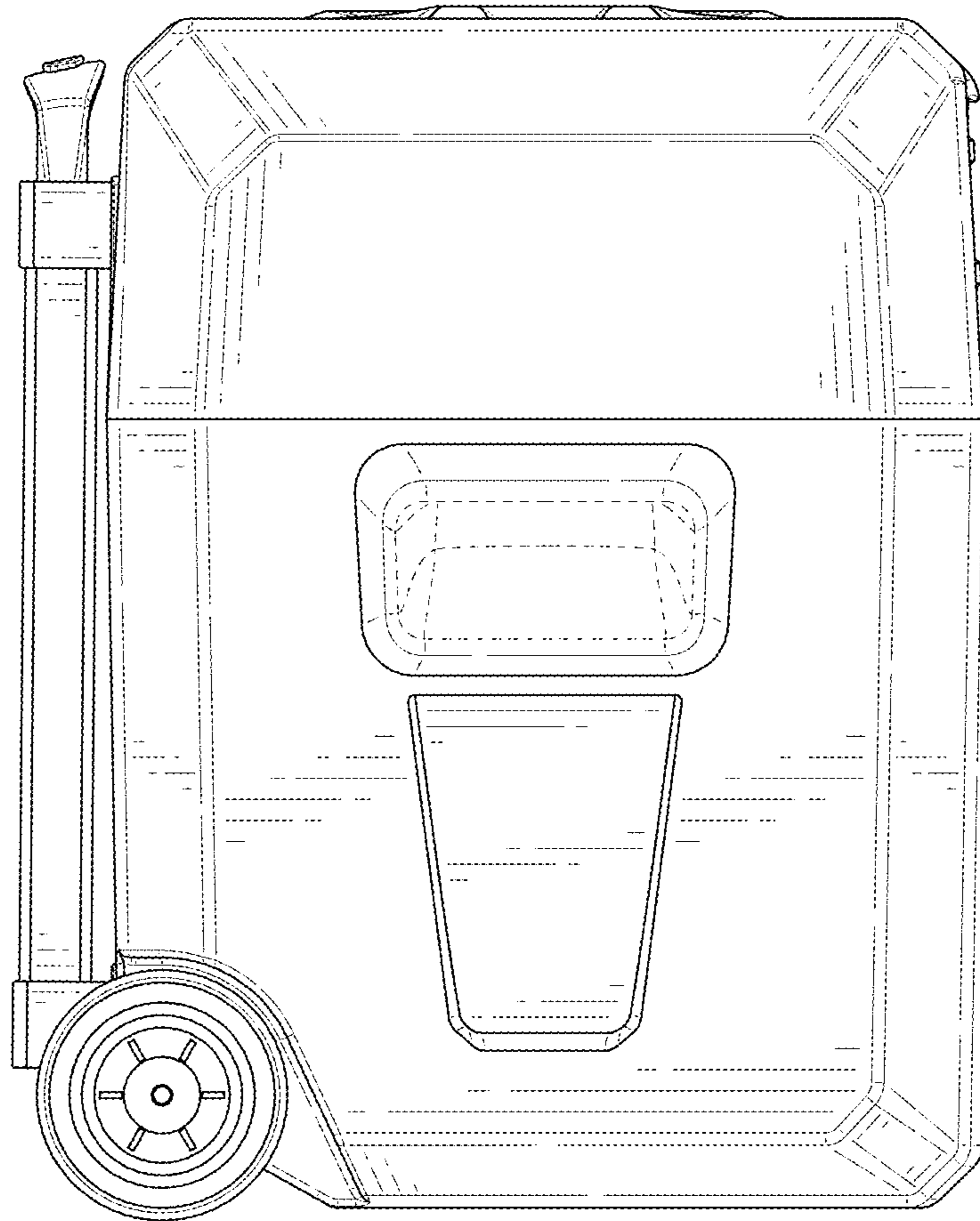


FIG. 5

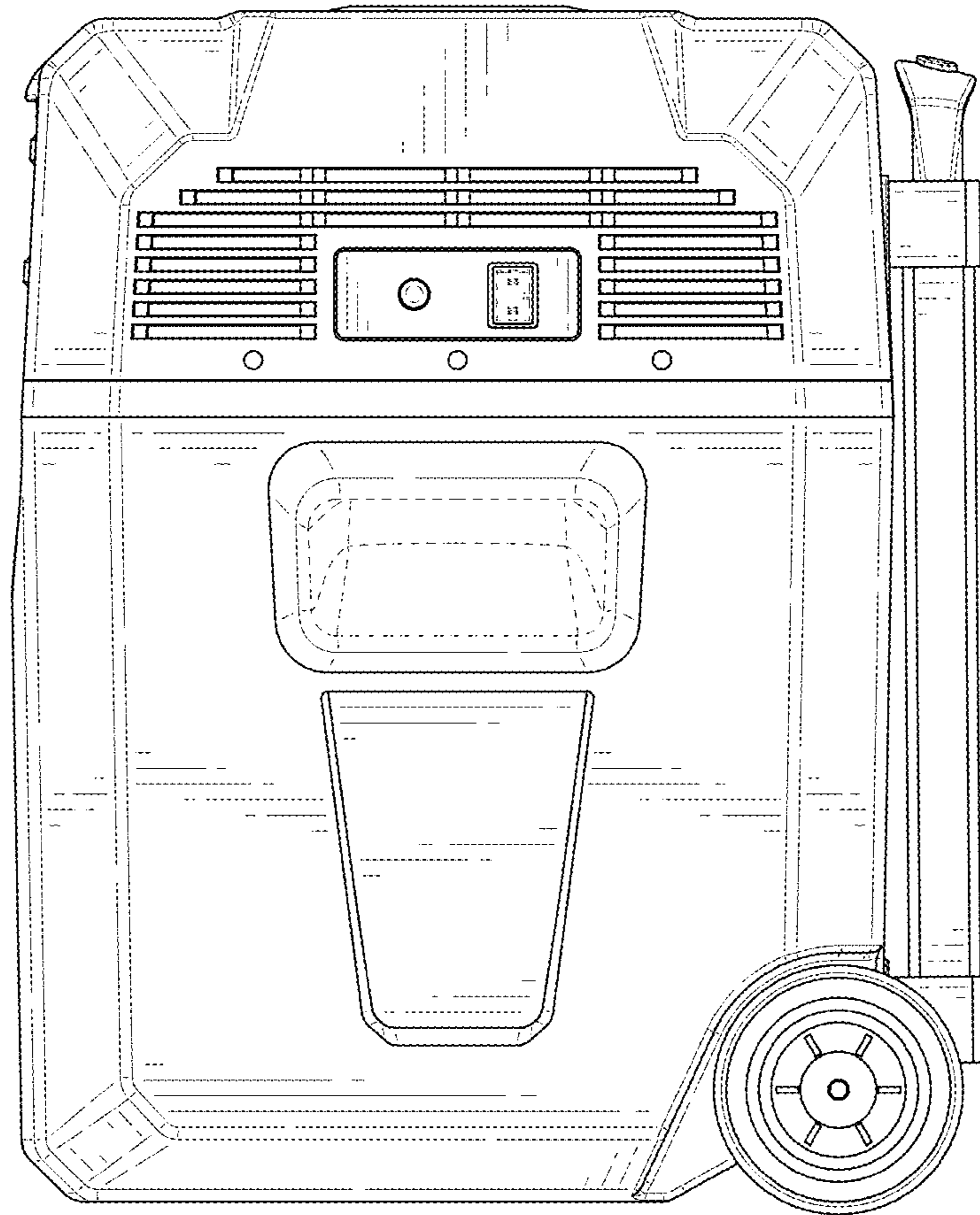


FIG. 6

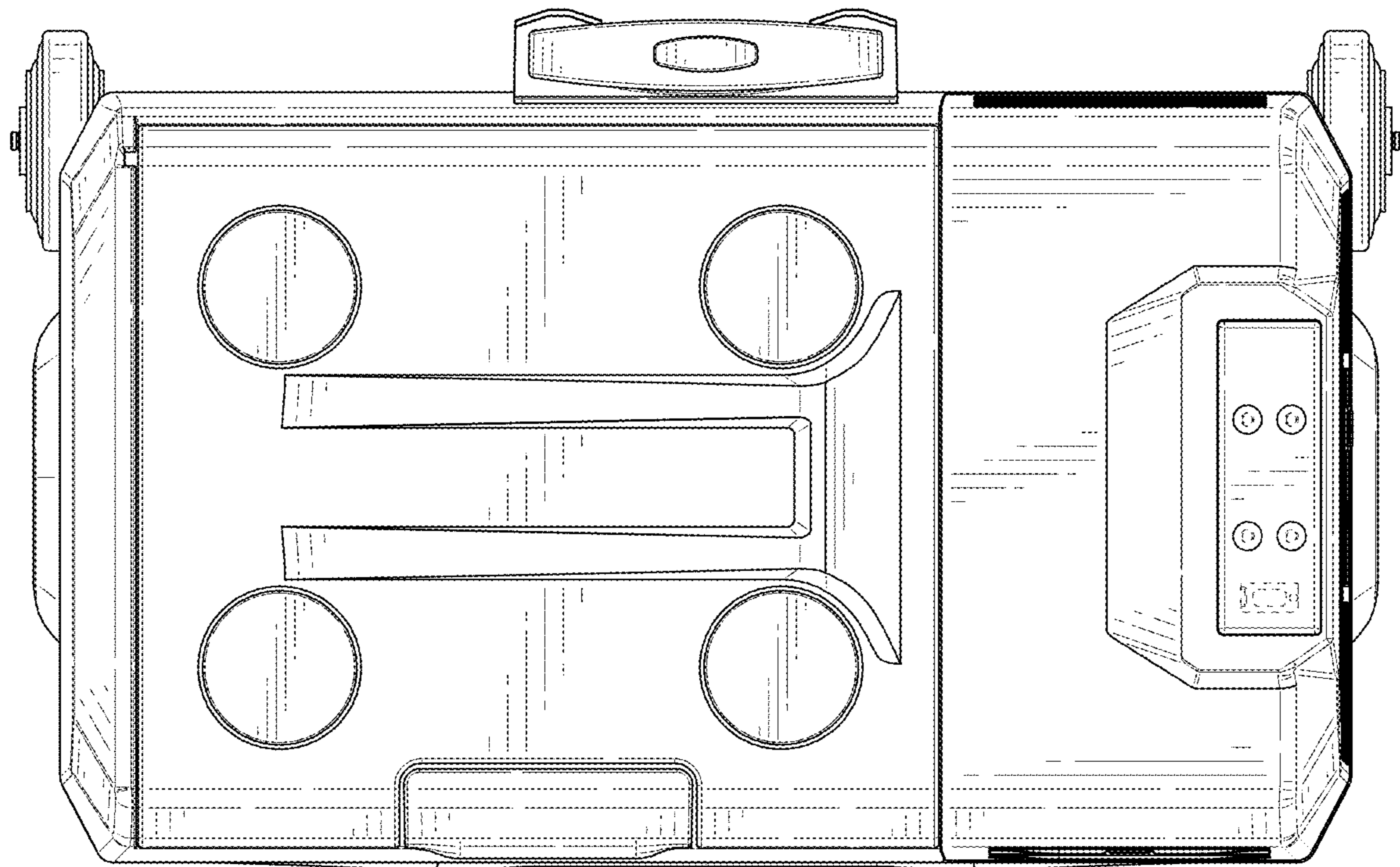


FIG. 7

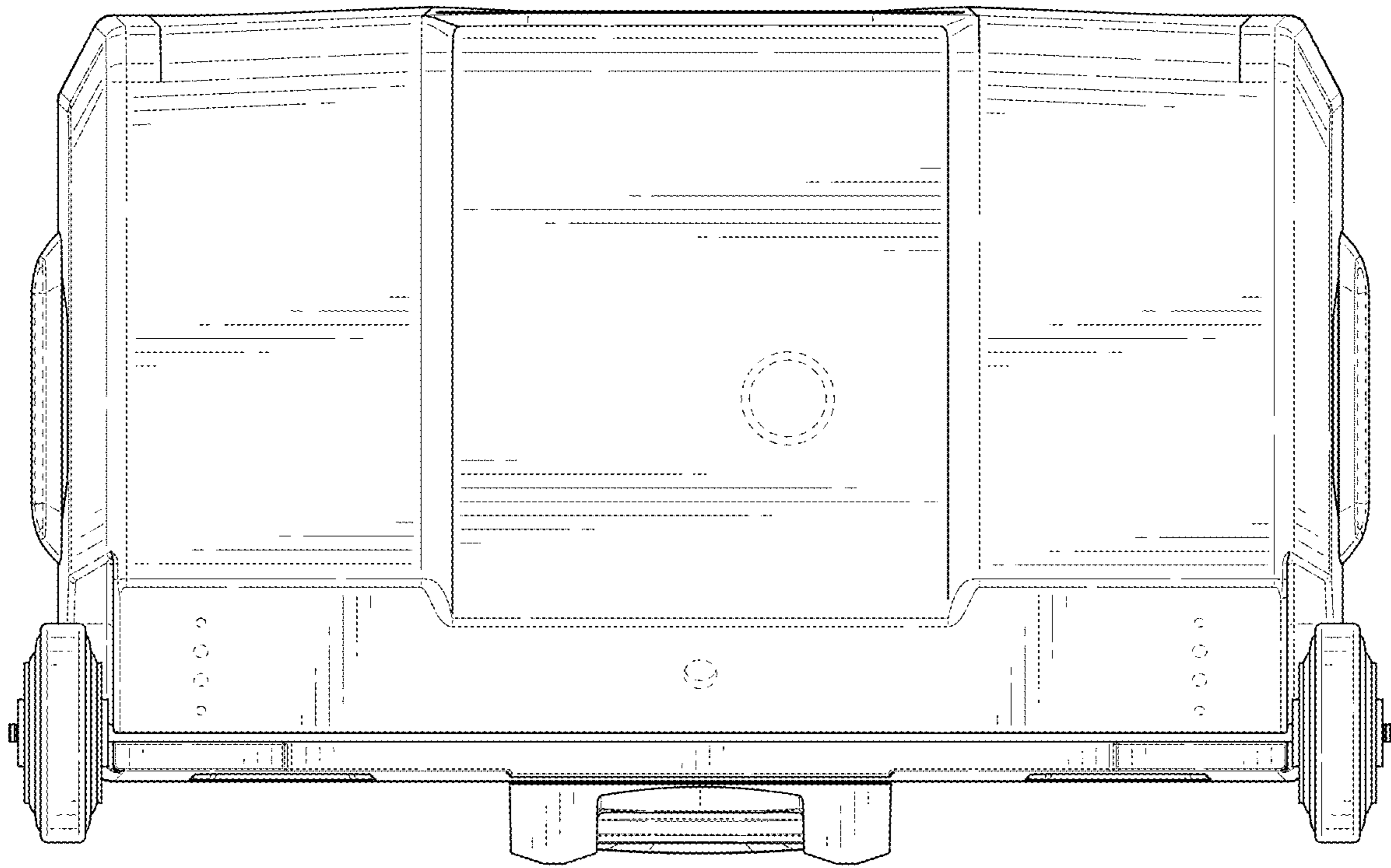


FIG. 8

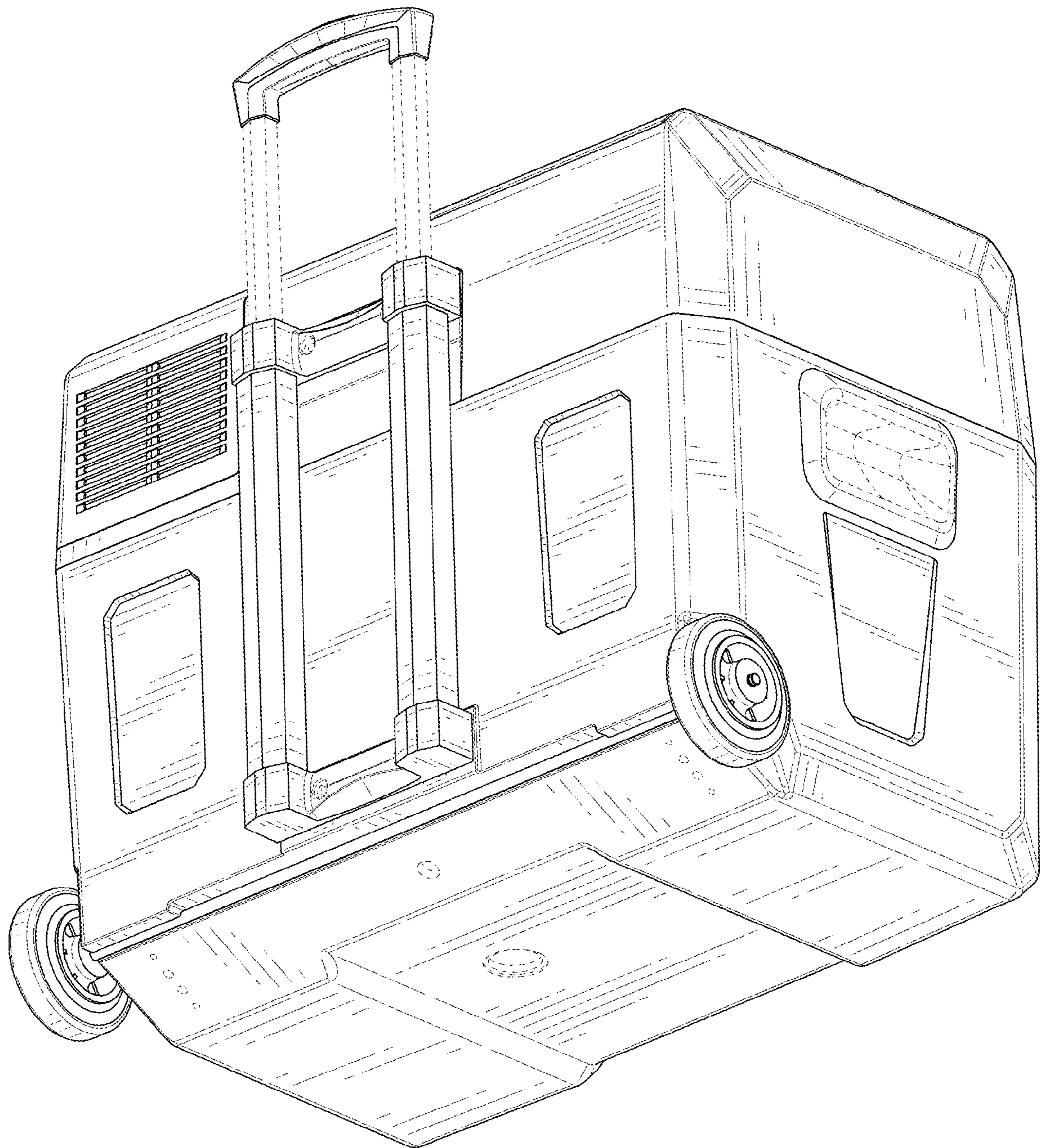


FIG. 9

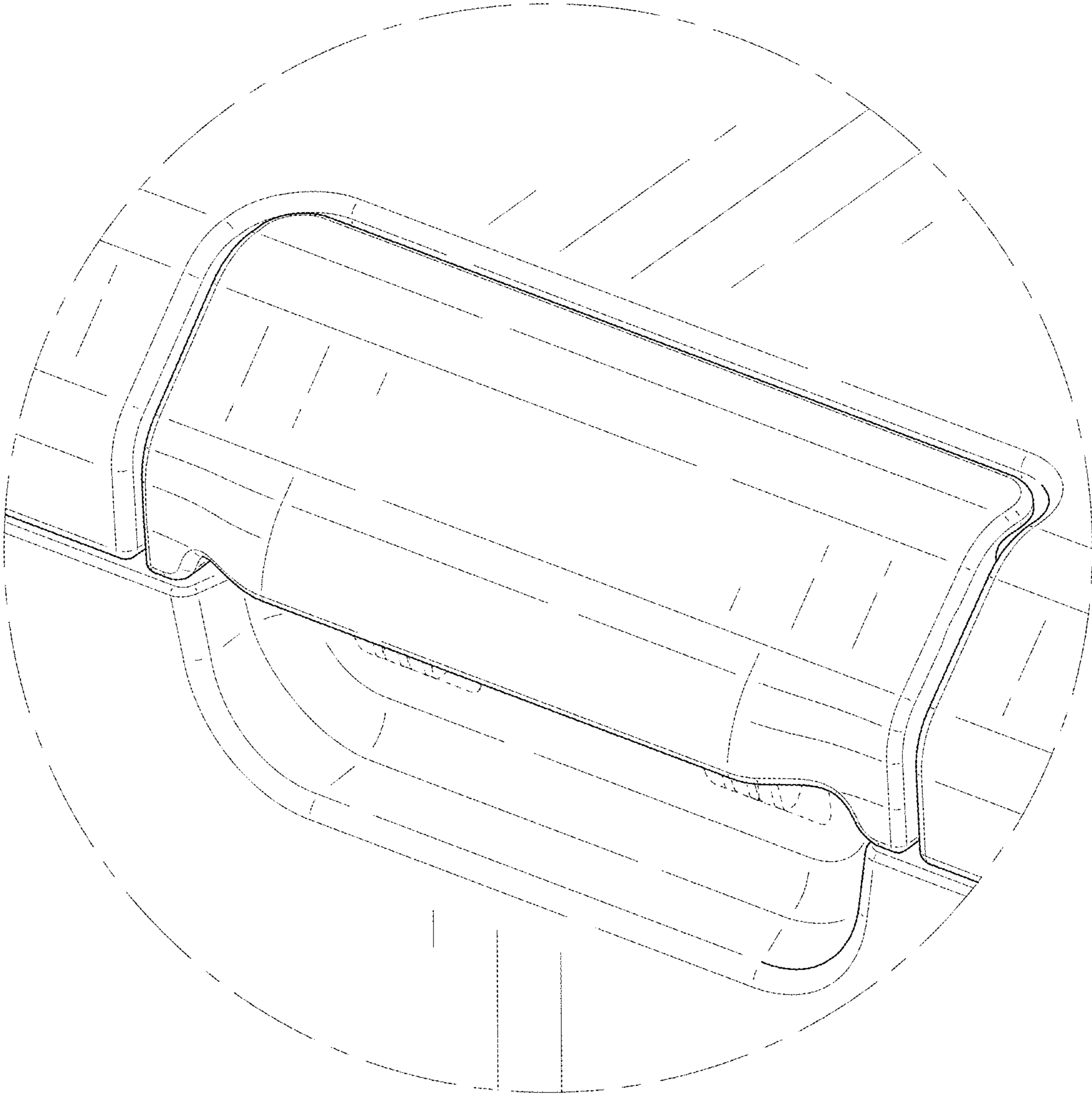


FIG. 10

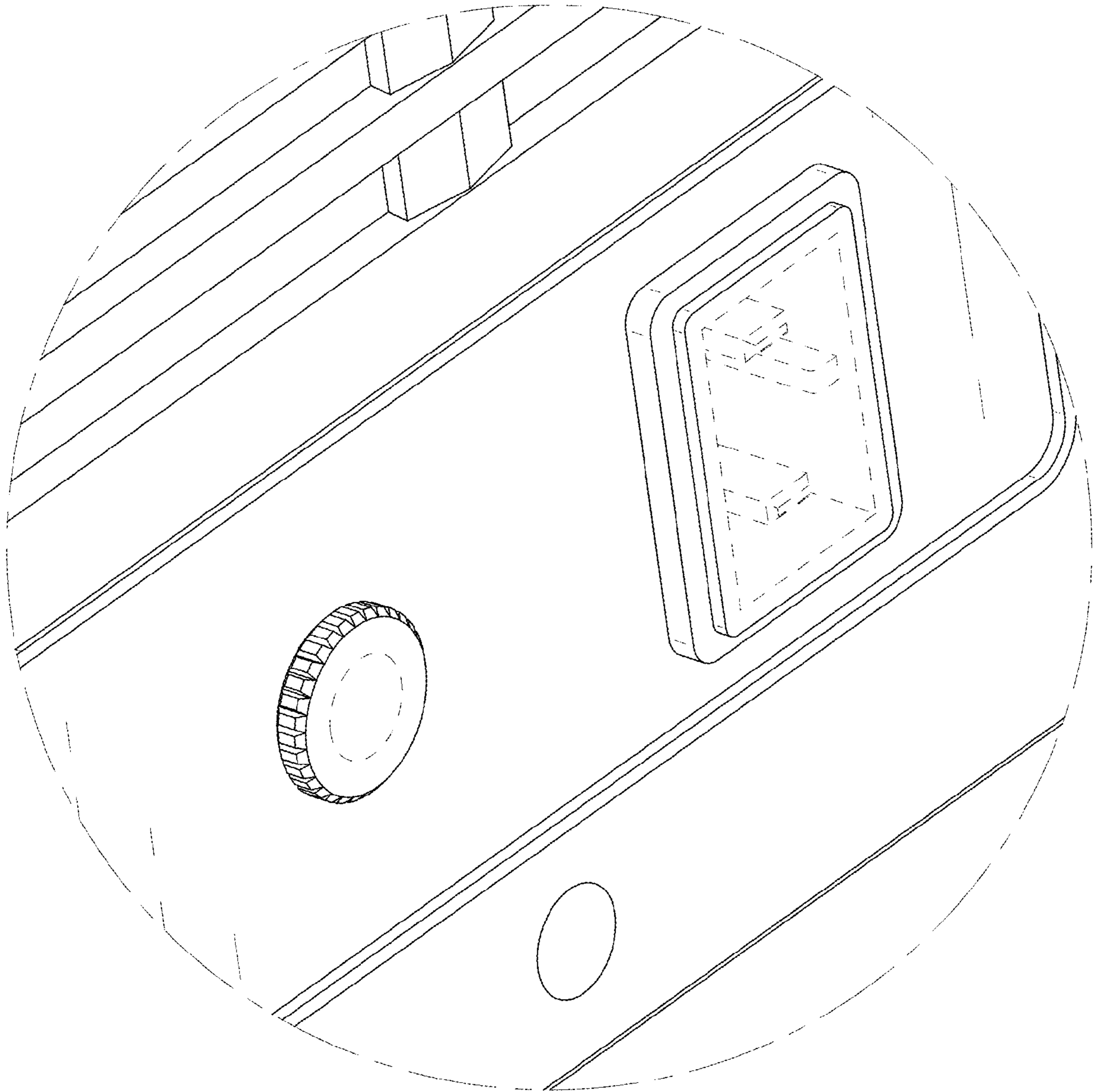


FIG. 11

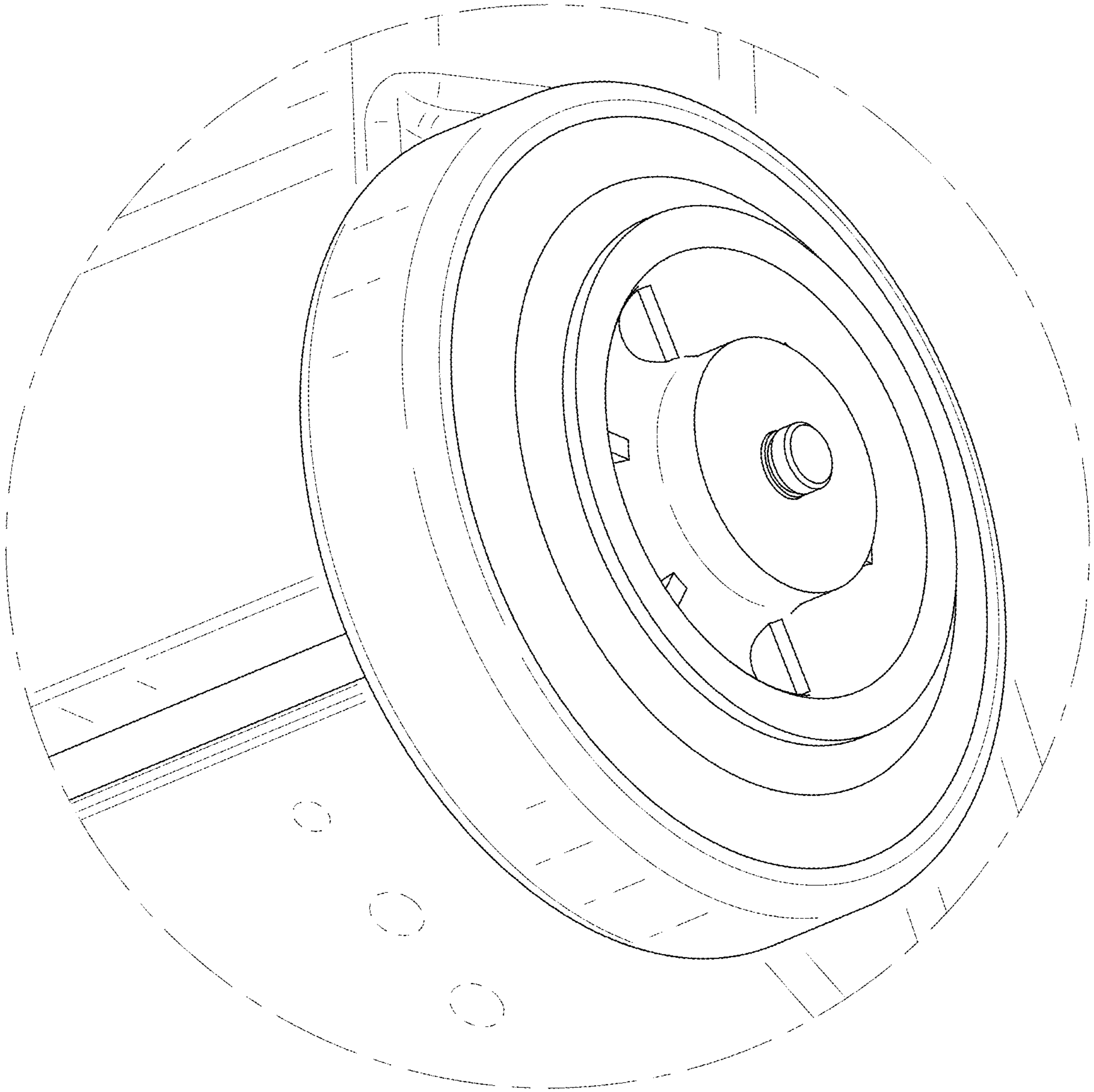


FIG. 12

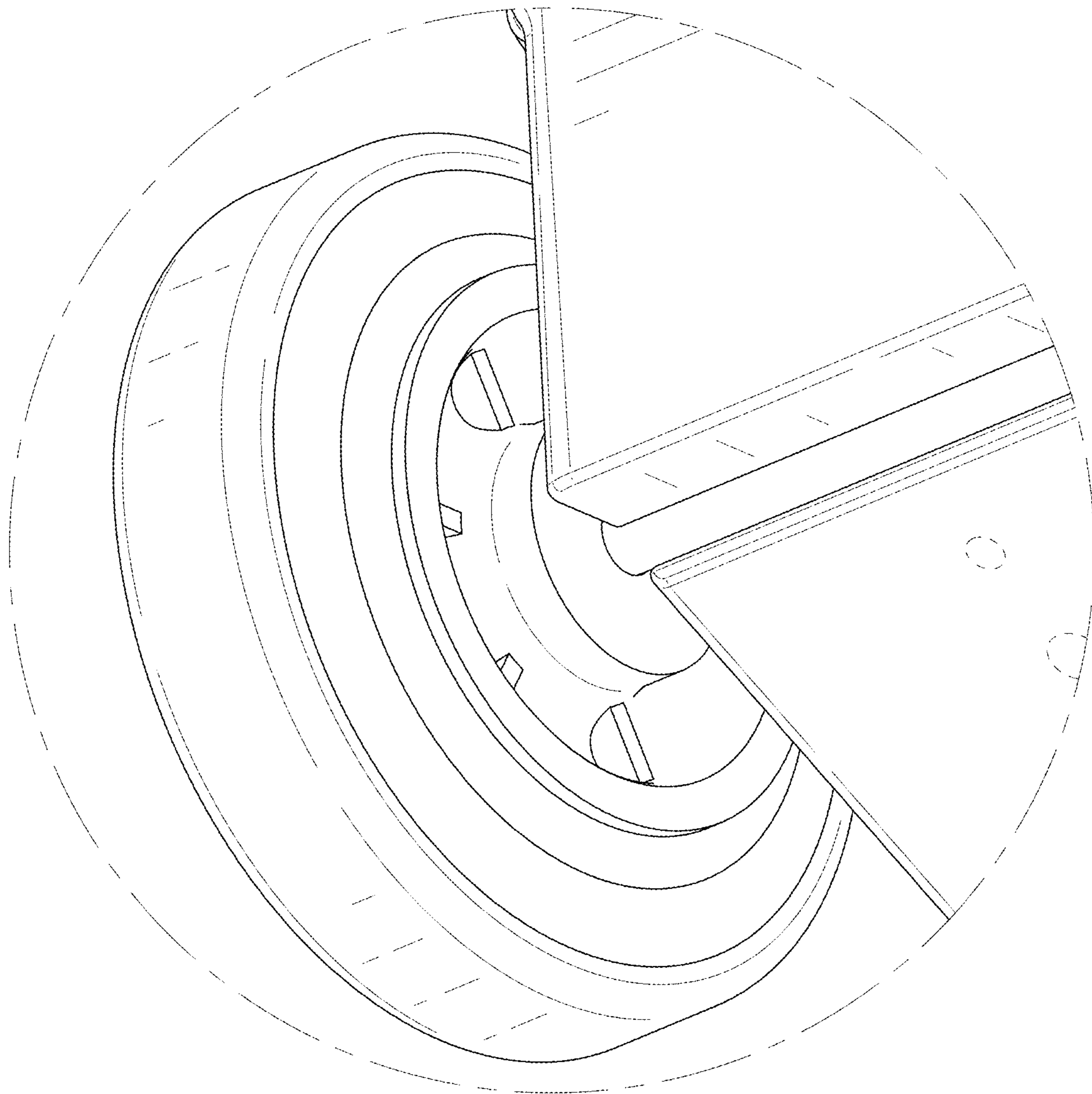


FIG. 13