

US00D969175S

(12) **United States Design Patent** (10) **Patent No.:** **US D969,175 S**
Araki et al. (45) **Date of Patent:** **** Nov. 8, 2022**

(54) **FRONT PART OF ENGINE HOOD FOR TRACTOR**

(71) Applicant: **KUBOTA CORPORATION**, Osaka (JP)

(72) Inventors: **Yutaka Araki**, Sakai (JP); **Hiroyuki Sakai**, Sakai (JP)

(73) Assignee: **Kubota Corporation**, Osaka (JP)

(**) Term: **15 Years**

(21) Appl. No.: **35/510,617**

(22) Filed: **Jun. 17, 2020**

(80) **Hague Agreement Data**

Int. Filing Date: **Jun. 17, 2020**

Int. Reg. No.: **DM/210732**

Int. Reg. Date: **Jun. 17, 2020**

Int. Reg. Pub. Date: **Oct. 23, 2020**

(30) **Foreign Application Priority Data**

Jan. 14, 2020 (JP) 2020-000413

Jan. 14, 2020 (JP) 2020-000414

(51) **LOC (13) Cl.** **15-03**

(52) **U.S. Cl.**

USPC **D15/31**

CPC **B62D 49/00 (2013.01)**

(58) **Field of Classification Search**

USPC D15/10-17, 22-28, 30, 31; D12/173;
56/13.3, 13.4, 15.8, 15.9, 320.1;

180/89.1, 89.12, 900, 69.2, 68.1, 69.1

CPC B62D 49/00-085; B62D 25/10; B62D
25/00; B60R 19/52; B60R 21/38

See application file for complete search history.

(56) **References Cited**

U.S. PATENT DOCUMENTS

D223,820 S * 6/1972 Boehm D12/91

D352,723 S * 11/1994 DeBraul D12/163

D537,455 S * 2/2007 Kuwae D15/31
D557,714 S * 12/2007 Higashikawa D15/31
D591,777 S * 5/2009 Kokitkar D15/31
D631,489 S * 1/2011 Booth D15/31
D665,428 S * 8/2012 Hickman D15/31
D710,911 S 8/2014 Iwata et al.
D720,371 S * 12/2014 Furukawa D15/31
D733,767 S * 7/2015 Kushita D15/31
D759,129 S * 6/2016 Kushita D15/31
D760,815 S * 7/2016 Okuyama D15/31
D778,963 S * 2/2017 Yang D15/31
D785,053 S * 4/2017 Okuyama D15/31
D804,539 S * 12/2017 Okuyama D15/31

(Continued)

FOREIGN PATENT DOCUMENTS

JP D1615390 S 10/2018

Primary Examiner — Richard E Chilcot

(74) *Attorney, Agent, or Firm* — The Webb Law Firm

(57) **CLAIM**

The ornamental design for a front part of an engine hood for a tractor, as shown and described.

DESCRIPTION

FIG. 1.1 is a front view of a front part of an engine hood for a tractor;

FIG. 1.2 is a rear view of the front part of an engine hood for a tractor shown in FIG. 1.1;

FIG. 1.3 is a left view of the front part of an engine hood for a tractor shown in FIG. 1.1;

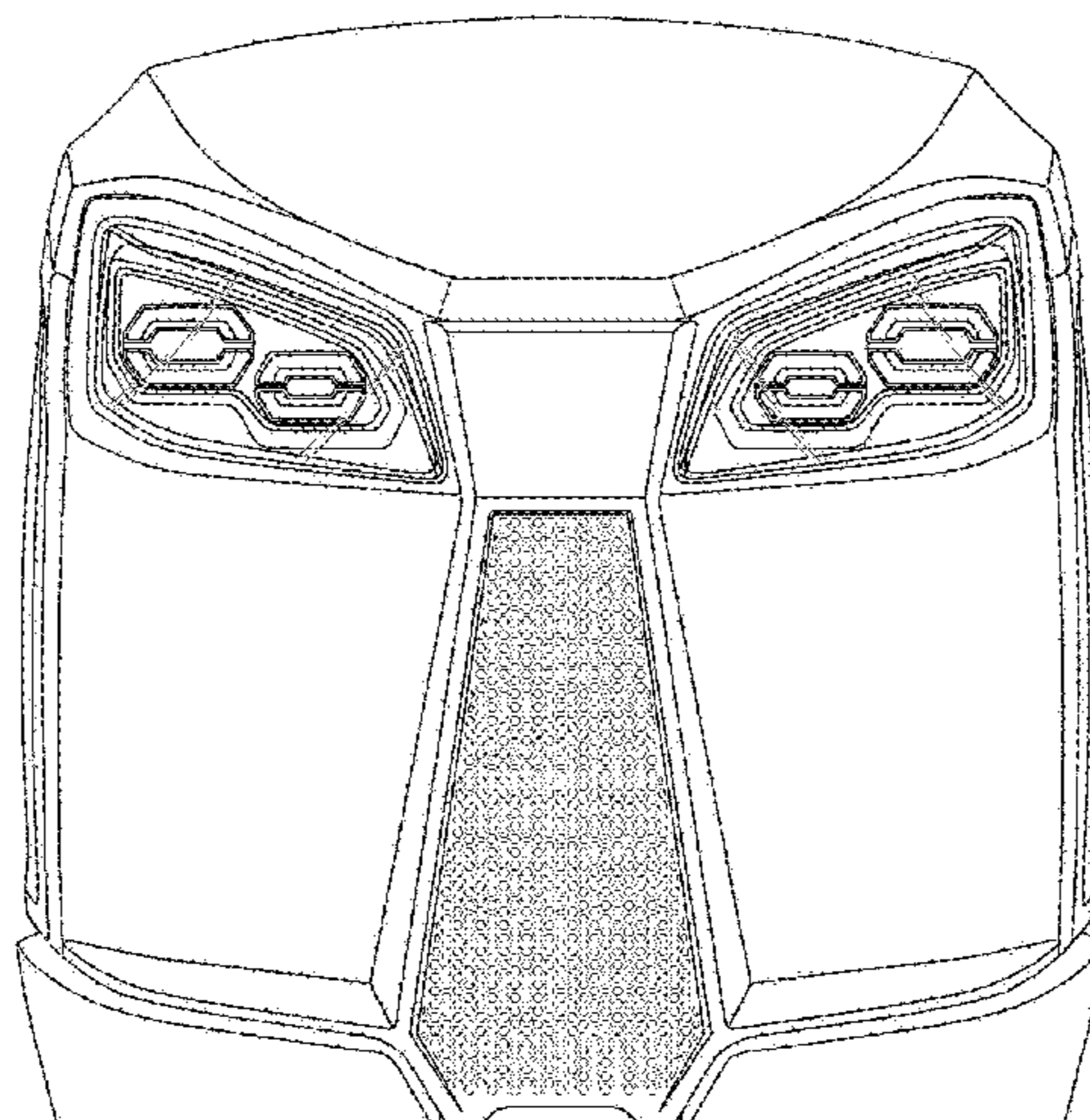
FIG. 1.4 is a top view of the front part of an engine hood for a tractor shown in FIG. 1.1;

FIG. 1.5 is a bottom view of the front part of an engine hood for a tractor shown in FIG. 1.1;

FIG. 1.6 is a perspective view of the front part of an engine hood for a tractor shown in FIG. 1.1;

The broken lines shown in FIGS. 1.2 and 1.5 form no part of the claimed design. FIGS. 1.1, 1.3, 1.4, and 1.6 depict the lens covers as being transparent. Right side views are omitted because the right side views are symmetrical to the left side views.

1 Claim, 6 Drawing Sheets



(56)

References Cited

U.S. PATENT DOCUMENTS

D809,025	S	*	1/2018	Okuyama	D15/31
D837,837	S	*	1/2019	Park	D15/31
D854,056	S	*	7/2019	Futagami	D15/31
D896,853	S	*	9/2020	Park	D15/31
D909,425	S	*	2/2021	Park	D15/31
D918,969	S	*	5/2021	Kamada	D15/31
D928,851	S	*	8/2021	Huenink	D15/31
D930,714	S	*	9/2021	Lee	D15/31
D932,522	S	*	10/2021	Kaneko	D15/31
D939,592	S	*	12/2021	Pfaffmann	D15/31
D943,644	S	*	2/2022	Gearhart	D15/31

* cited by examiner

FIG. 1.1

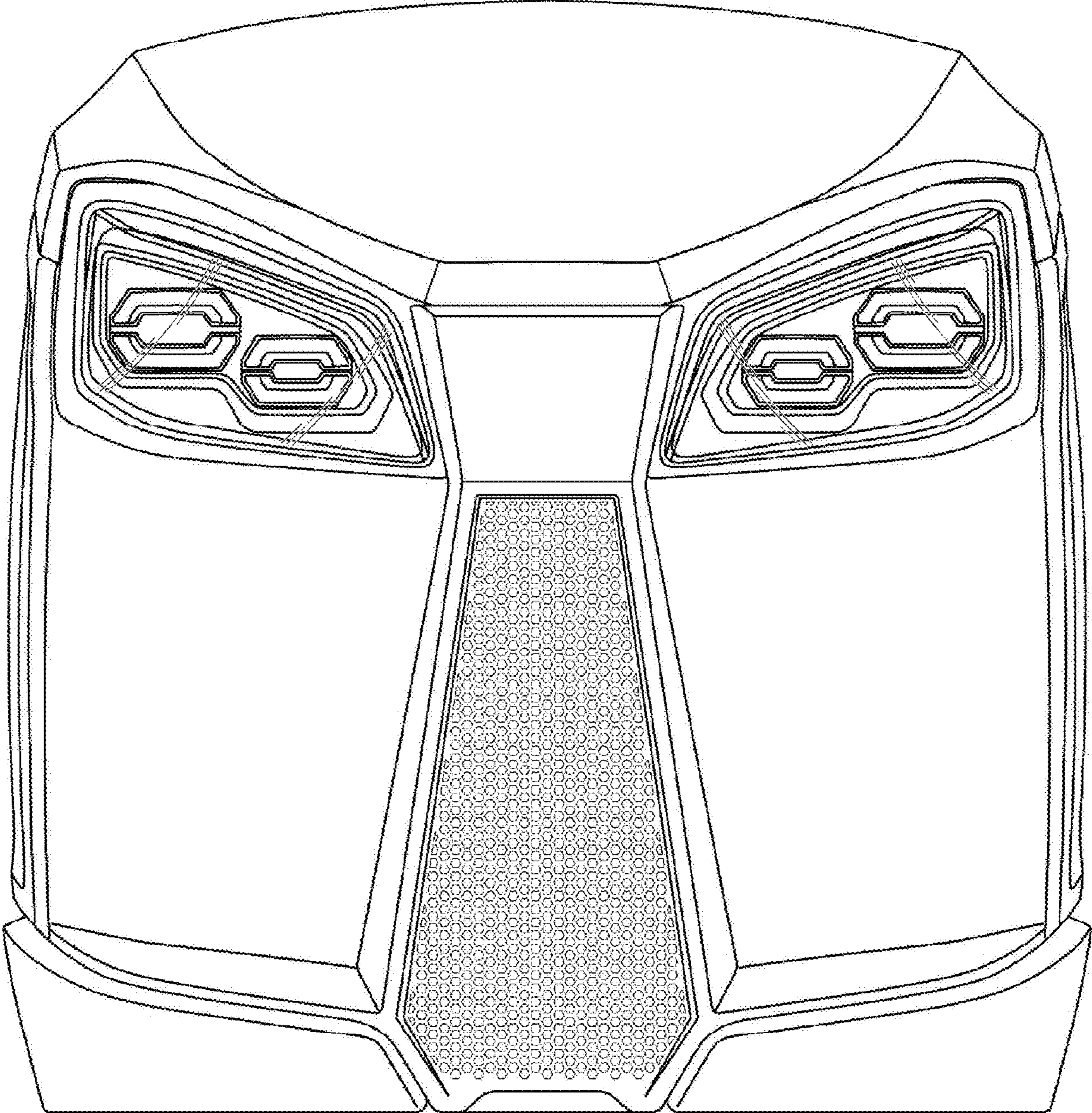


FIG. 1.2

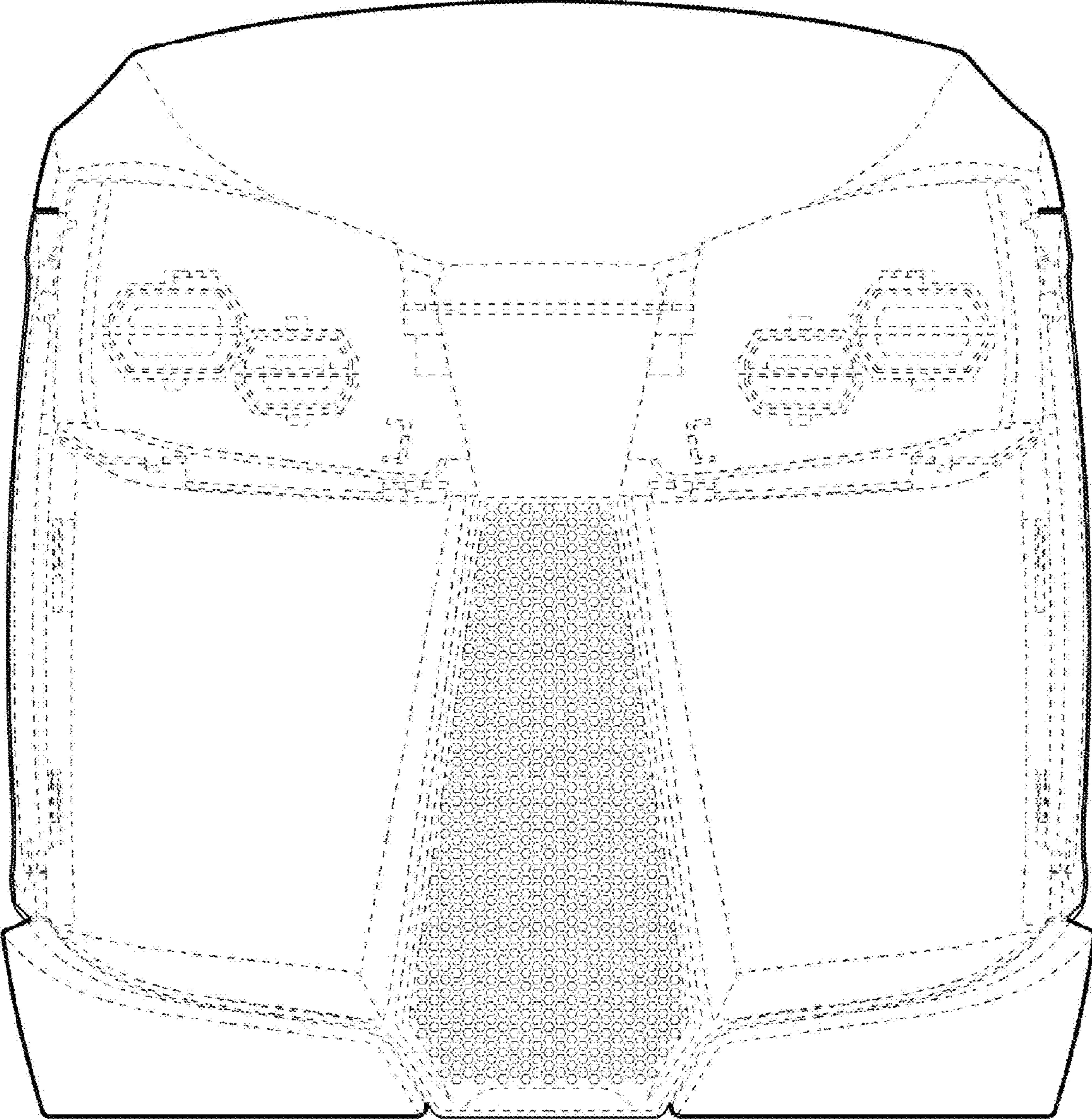


FIG. 1.3

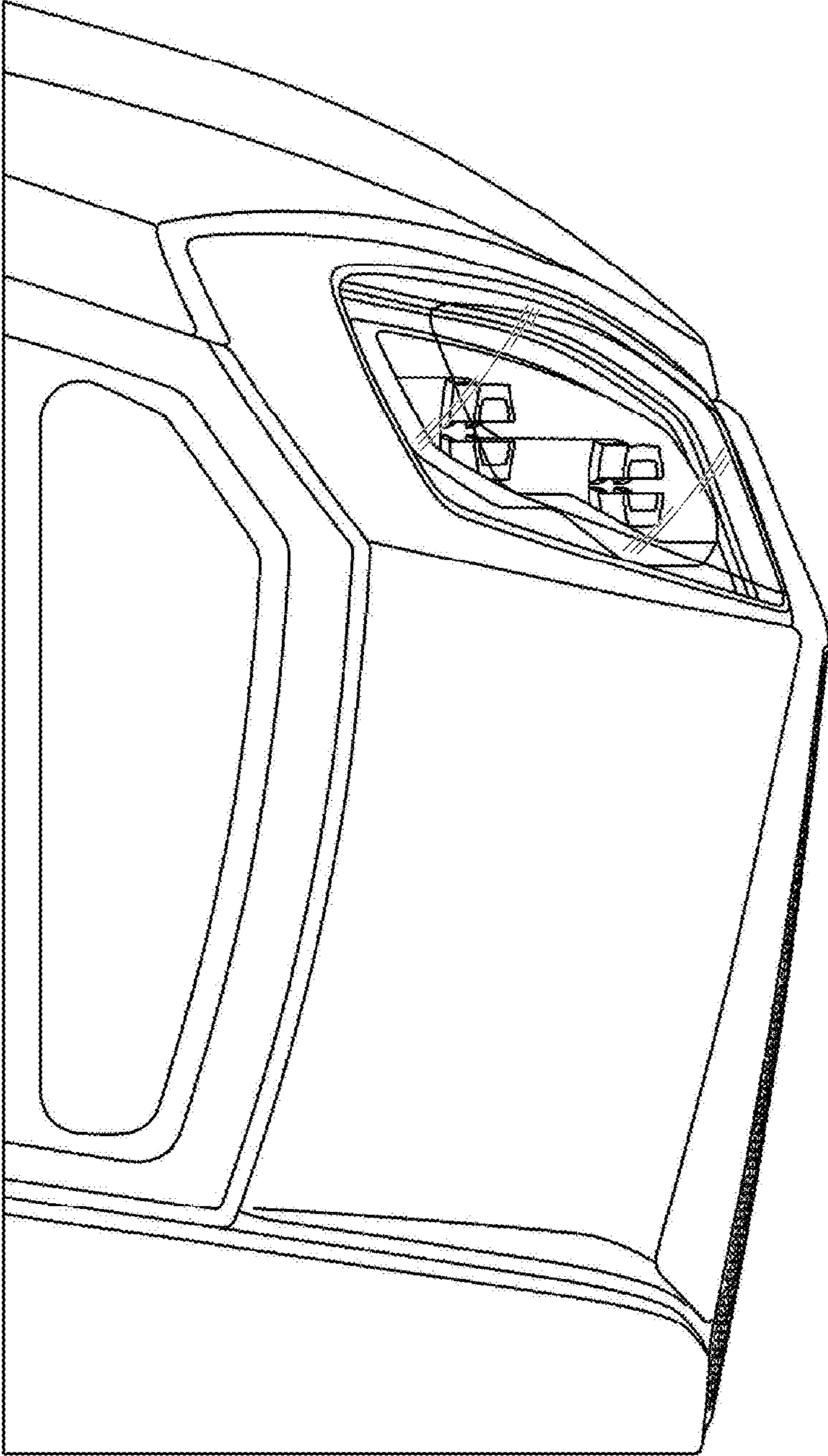


FIG. 1.4

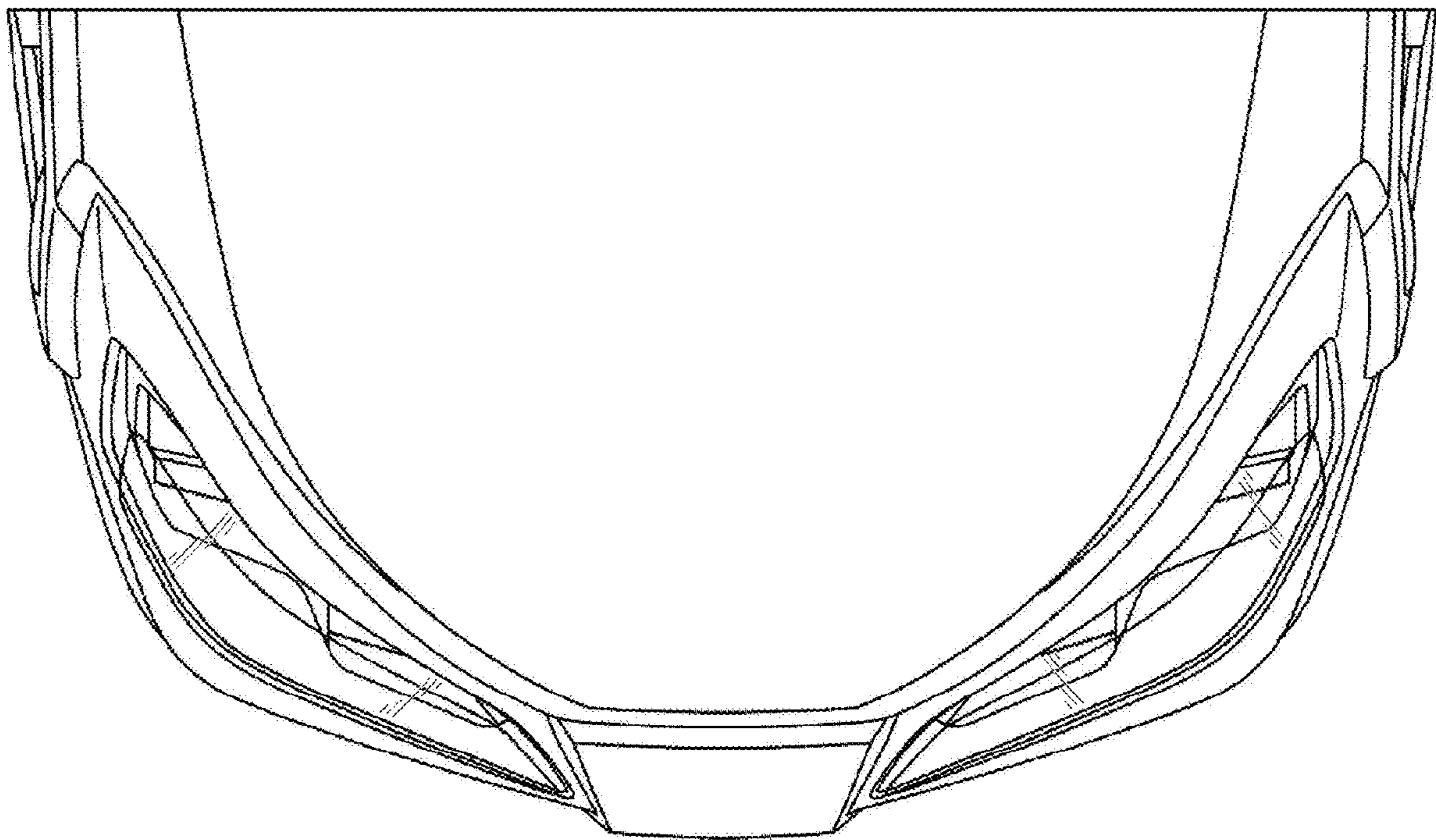


FIG. 1.5

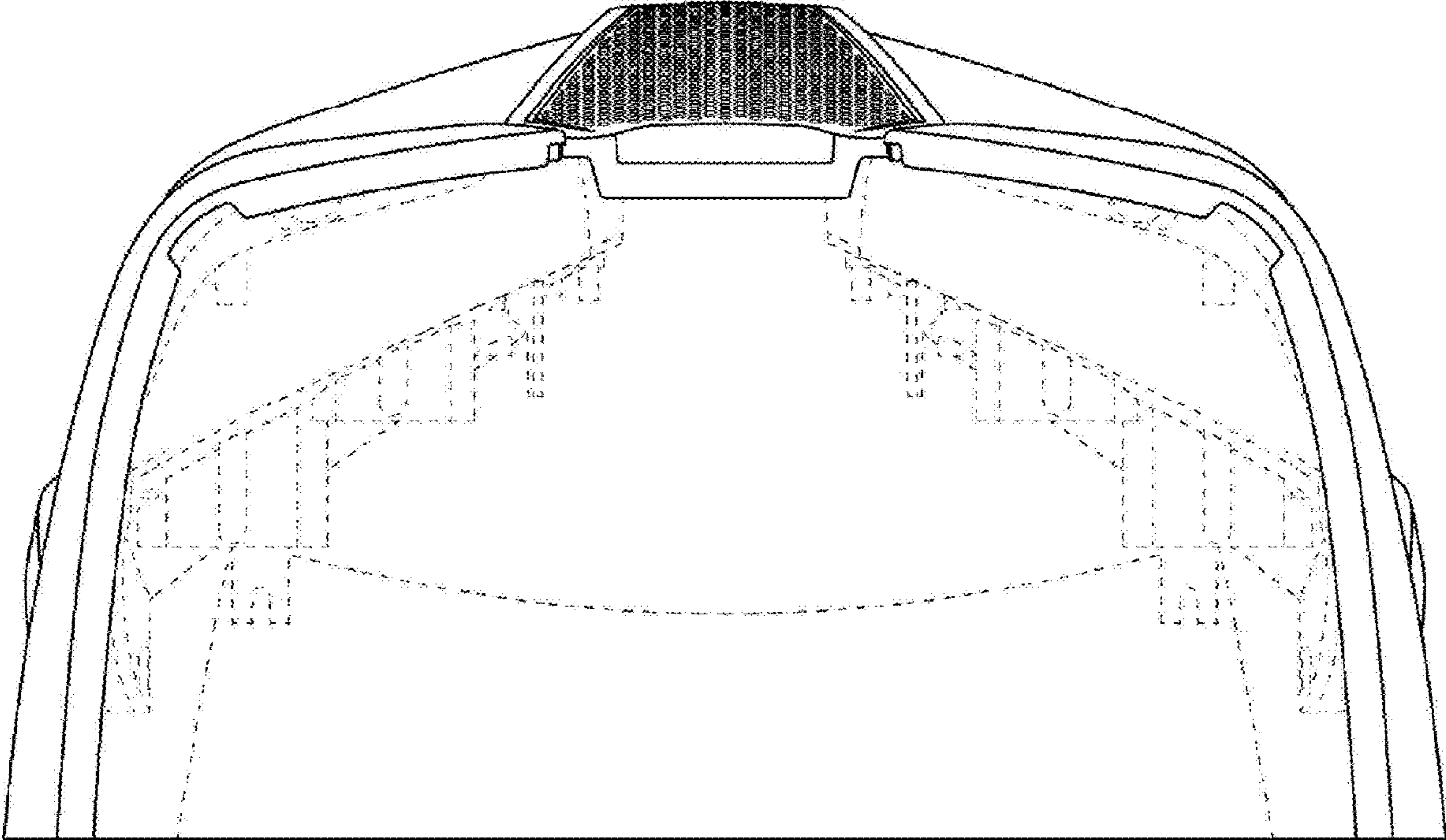


FIG. 1.6

