

US00D969174S

(12) **United States Design Patent** (10) **Patent No.:** **US D969,174 S**  
**Masuda et al.** (45) **Date of Patent:** **\*\* Nov. 8, 2022**

(54) **BACKHOE LOADER**  
(71) Applicant: **KUBOTA CORPORATION**, Osaka (JP)  
(72) Inventors: **Ryo Masuda**, Sakai (JP); **Yutaka Araki**, Sakai (JP); **Suguru Shiiguchi**, Sakai (JP)

(73) Assignee: **Kubota Corporation**, Osaka (JP)

(\*\*) Term: **15 Years**

(21) Appl. No.: **35/512,098**

(22) Filed: **May 18, 2021**

(80) **Hague Agreement Data**

Int. Filing Date: **May 18, 2021**  
Int. Reg. No.: **DM/214974**  
Int. Reg. Date: **May 18, 2021**  
Int. Reg. Pub. Date: **Jul. 2, 2021**

(30) **Foreign Application Priority Data**

Nov. 24, 2020 (JP) ..... 2020-025255

(51) **LOC (13) Cl.** ..... **15-04**

(52) **U.S. Cl.**  
USPC ..... **D15/28**  
CPC ..... **B62D 1/02** (2013.01)

(58) **Field of Classification Search**  
USPC ..... D15/10, 22-28, 30, 31, 33; 180/89.1, 180/89.12, 89.13, 900, 9.1, 9.2, 9.62; 414/694, 699, 772-724, 660, 685, 698, 414/719, 743  
CPC . E02F 9/163; E02F 9/0886; E02F 9/18; E02F 3/32; E02F 3/76; E02F 3/40; F01N 13/001; F01N 2590/08  
See application file for complete search history.

(56) **References Cited**

**U.S. PATENT DOCUMENTS**

D406,151 S \* 2/1999 Cunningham ..... D15/25  
D420,685 S \* 2/2000 Muranen ..... D15/30

6,039,141 A \* 3/2000 Denny ..... B60N 2/14 296/190.01  
D463,459 S \* 9/2002 Tamaru ..... D15/28  
D513,415 S \* 1/2006 Klein ..... D15/30  
D516,096 S \* 2/2006 Bergman ..... D15/28  
D516,097 S \* 2/2006 Bergman ..... D15/28  
D524,509 S \* 7/2006 Cantrill ..... D12/192  
D546,841 S \* 7/2007 McCarren, Jr. .... D15/28  
D555,676 S \* 11/2007 Haubrich ..... D15/28  
D614,204 S \* 4/2010 Thompson ..... D15/24  
D628,599 S \* 12/2010 Major ..... D15/25  
D664,998 S \* 8/2012 Warr ..... D15/28  
D678,355 S \* 3/2013 Warr ..... D15/28  
D685,007 S \* 6/2013 Tanaka ..... D15/28  
D689,529 S \* 9/2013 Hagura ..... D15/28

(Continued)

*Primary Examiner* — Richard E Chilcot  
(74) *Attorney, Agent, or Firm* — The Webb Law Firm

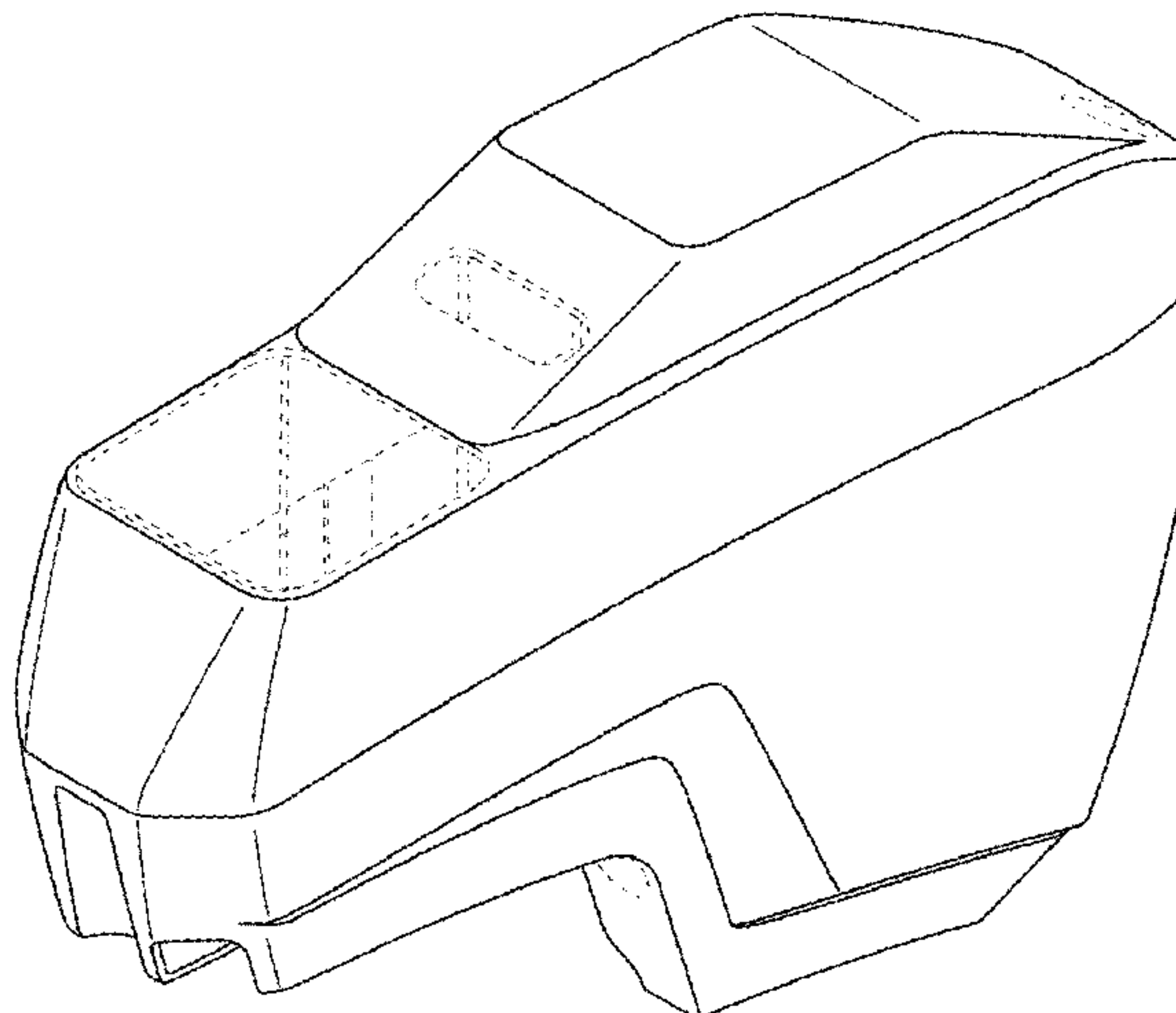
(57) **CLAIM**

The ornamental design for a backhoe loader, as shown and described.

**DESCRIPTION**

1. Backhoe loader  
1.1 : Front  
1.2 : Back  
1.3 : Left  
1.4 : Right  
1.5 : Top  
1.6 : Perspective  
1.7 : Enlarged  
1.8 : Front view of the control box  
1.9 : Back view of the control box  
1.10 : Left side view of the control box  
1.11 : Right side view of the control box  
1.12 : Top view of the control box  
1.13 : Perspective view of the control box  
1.14 : Perspective view of the control box  
The broken lines shown in Reproduction Nos. 1.1-1.7 and 1.9-1.14 form no part of the claimed design.

**1 Claim, 14 Drawing Sheets**



(56)

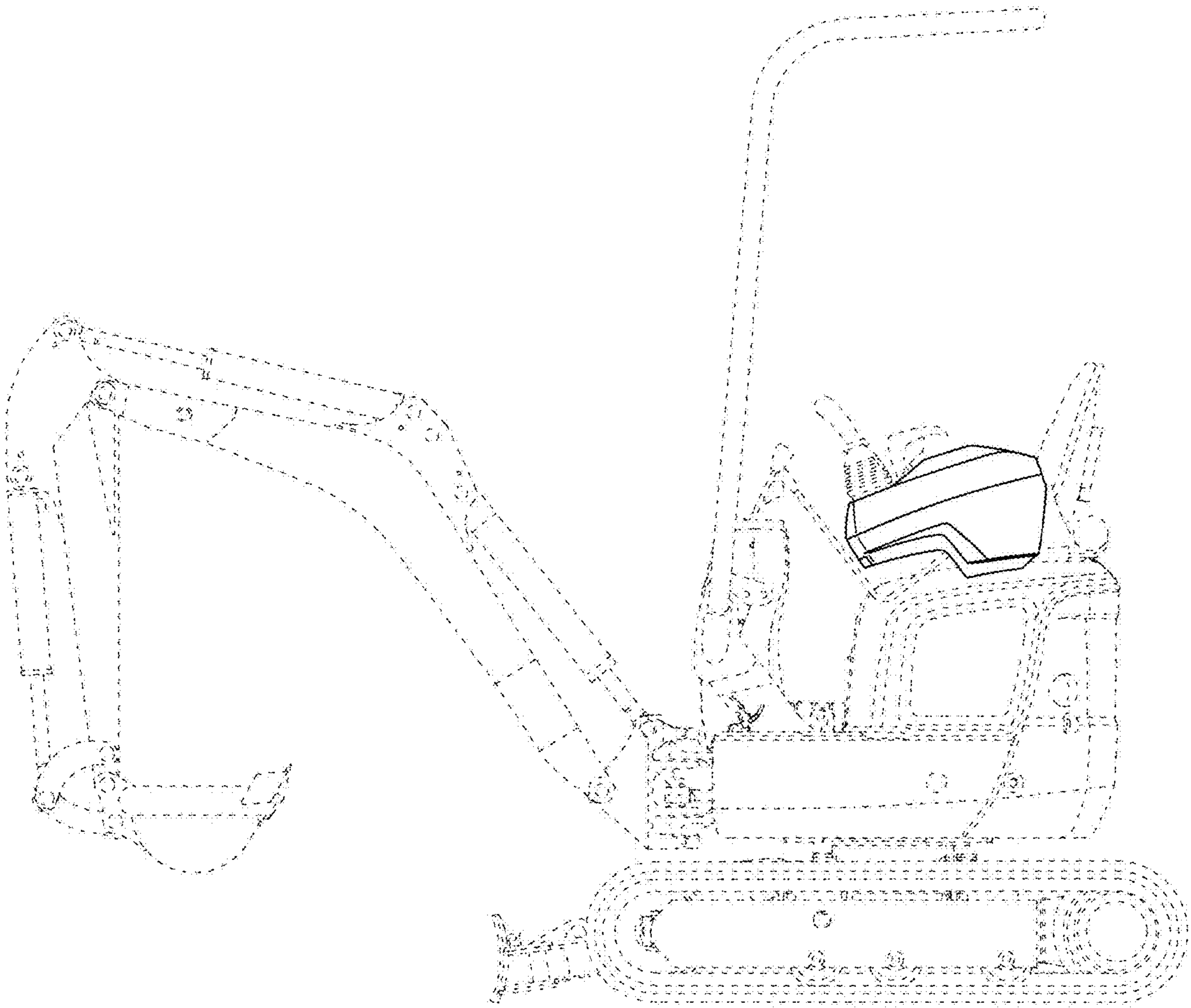
References Cited

U.S. PATENT DOCUMENTS

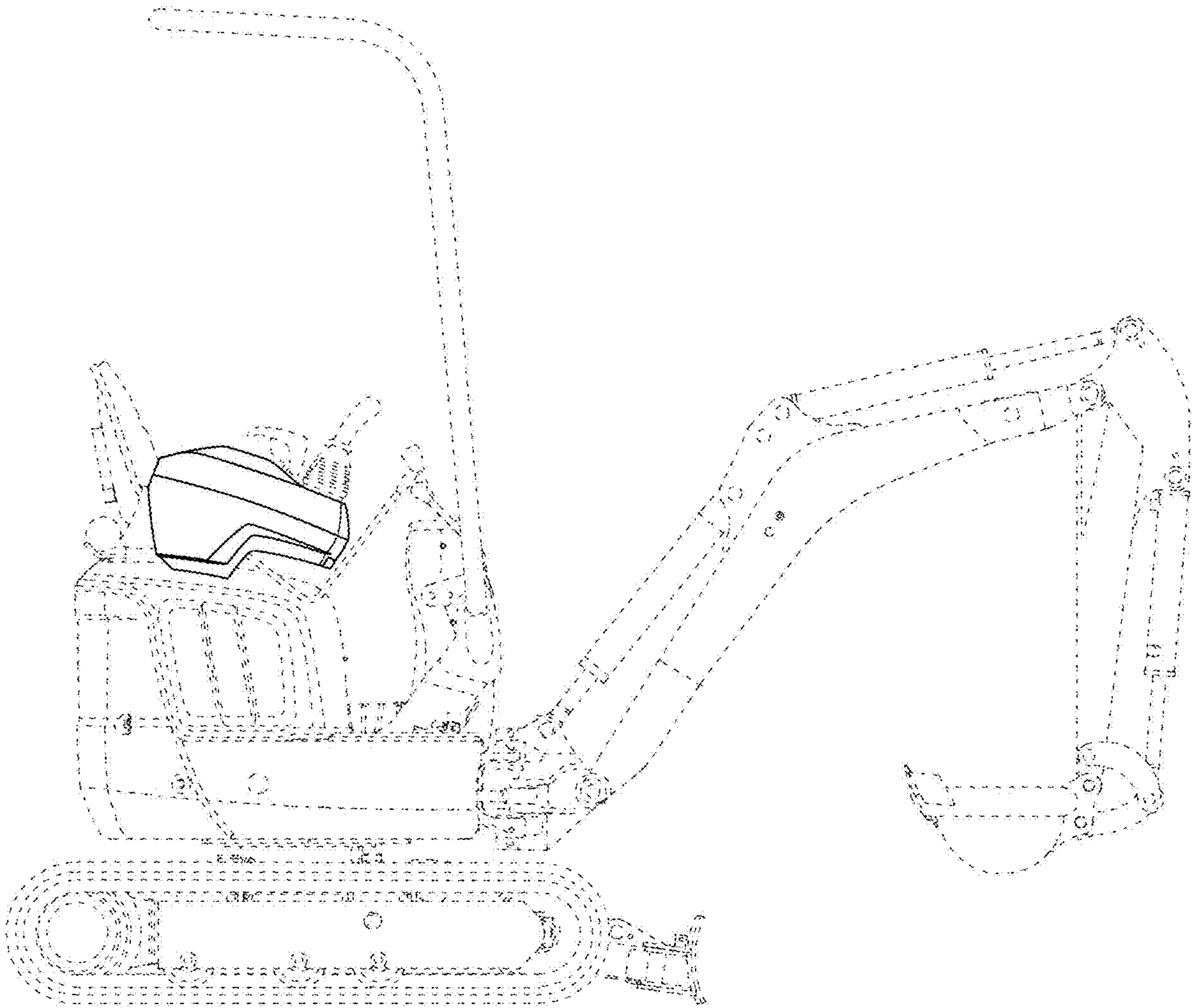
D690,325 S *	9/2013	Scott	.....	D15/28	D887,456 S *	6/2020	Adachi	.....	D15/28
D690,326 S *	9/2013	Scott	.....	D15/28	D887,457 S *	6/2020	Adachi	.....	D15/28
D710,785 S *	8/2014	Jacobsthal	.....	D12/415	D909,423 S *	2/2021	Zhao	.....	D15/25
D730,948 S *	6/2015	Higuchi	.....	D15/28	D918,275 S *	5/2021	Masuda	.....	E02F 9/18
D737,336 S *	8/2015	Ewringmann	.....	D15/28					D15/28
D742,936 S *	11/2015	Ewringmann	.....	D15/28	D920,388 S *	5/2021	Wagner	.....	D15/28
D752,658 S *	3/2016	Ewringmann	.....	D15/28	D933,720 S *	10/2021	Masuda	.....	E02F 9/18
D767,643 S *	9/2016	Söhngen	.....	D15/28					D15/28
D783,686 S *	4/2017	Jilbert	.....	D15/28	D941,365 S *	1/2022	Zhao	.....	D15/28
D786,313 S *	5/2017	Okuyama	.....	D15/28	D943,007 S *	2/2022	Das	.....	D15/28
D803,273 S *	11/2017	Sewell	.....	D15/28	D945,493 S *	3/2022	Jilbert	.....	D15/28
D856,379 S *	8/2019	Ninomiya	.....	D15/28	D949,207 S *	4/2022	Zhao	.....	D15/25
D856,380 S *	8/2019	Ninomiya	.....	D15/28	2009/0056964 A1 *	3/2009	Kunizawa	.....	E02F 3/7613
D856,381 S *	8/2019	Ninomiya	.....	D15/28					172/823
D857,755 S *	8/2019	Ninomiya	.....	D15/28	2014/0034403 A1 *	2/2014	Tokuda	.....	B60K 37/06
D871,311 S *	12/2019	TenBrink	.....	D12/415					180/89.12
					2021/0285550 A1 *	9/2021	Iwanami	.....	F16J 15/40
					2022/0162812 A1 *	5/2022	Cserw	.....	B60L 50/15

\* cited by examiner

1.1

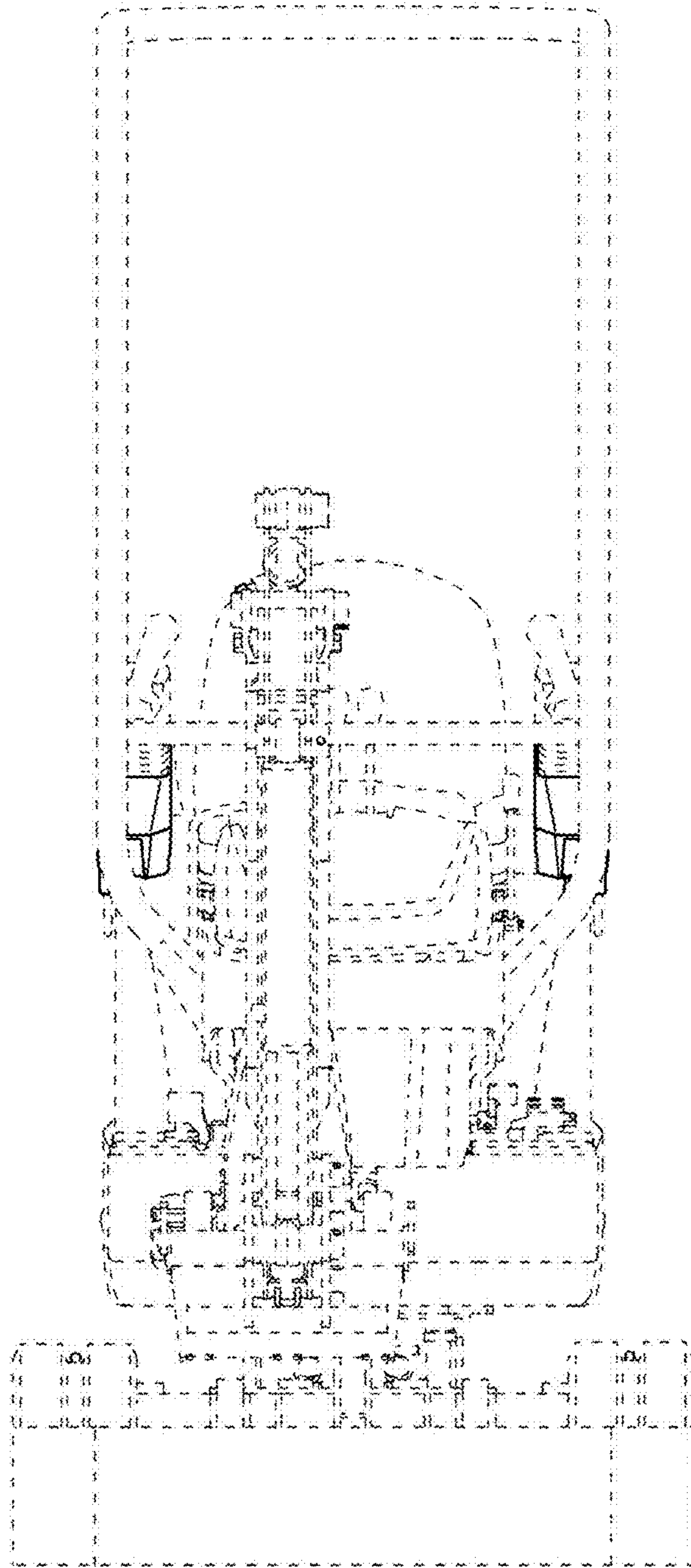


1.2

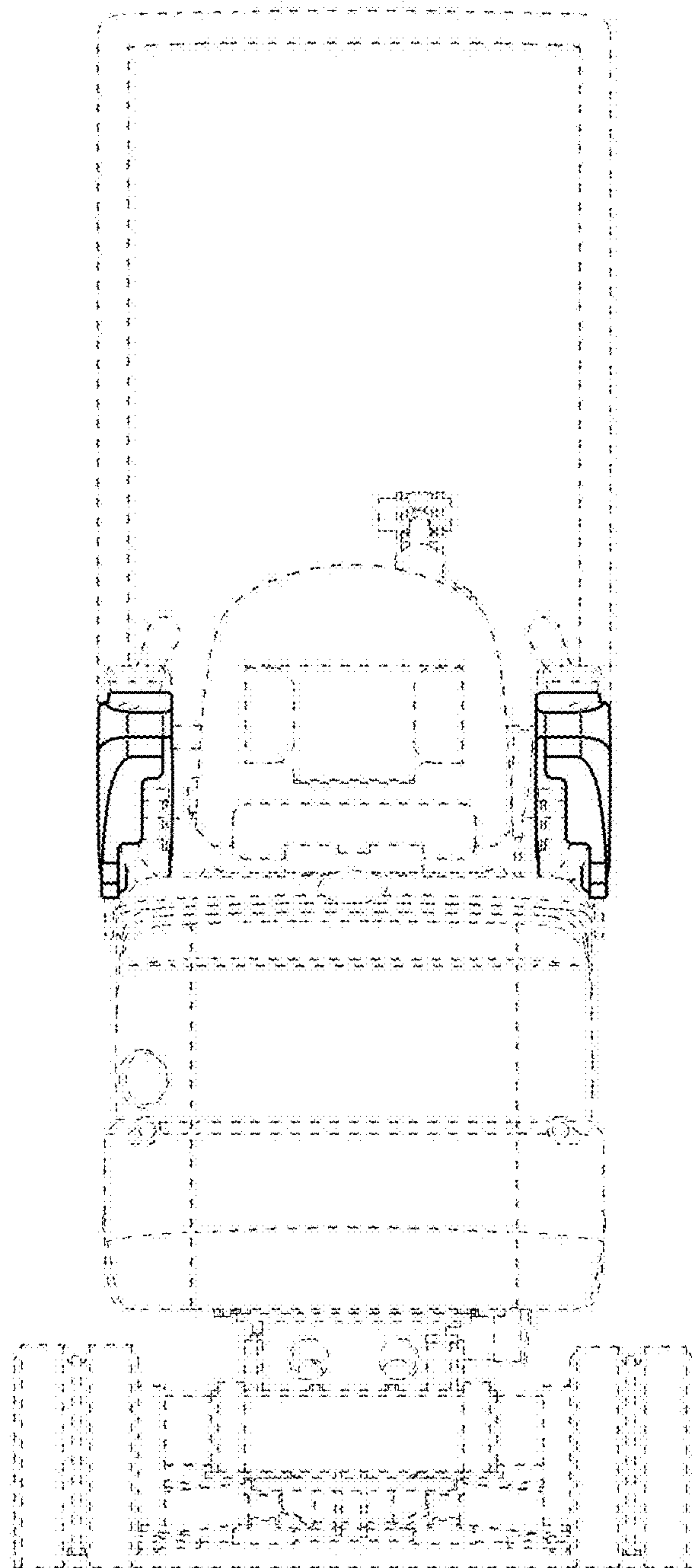




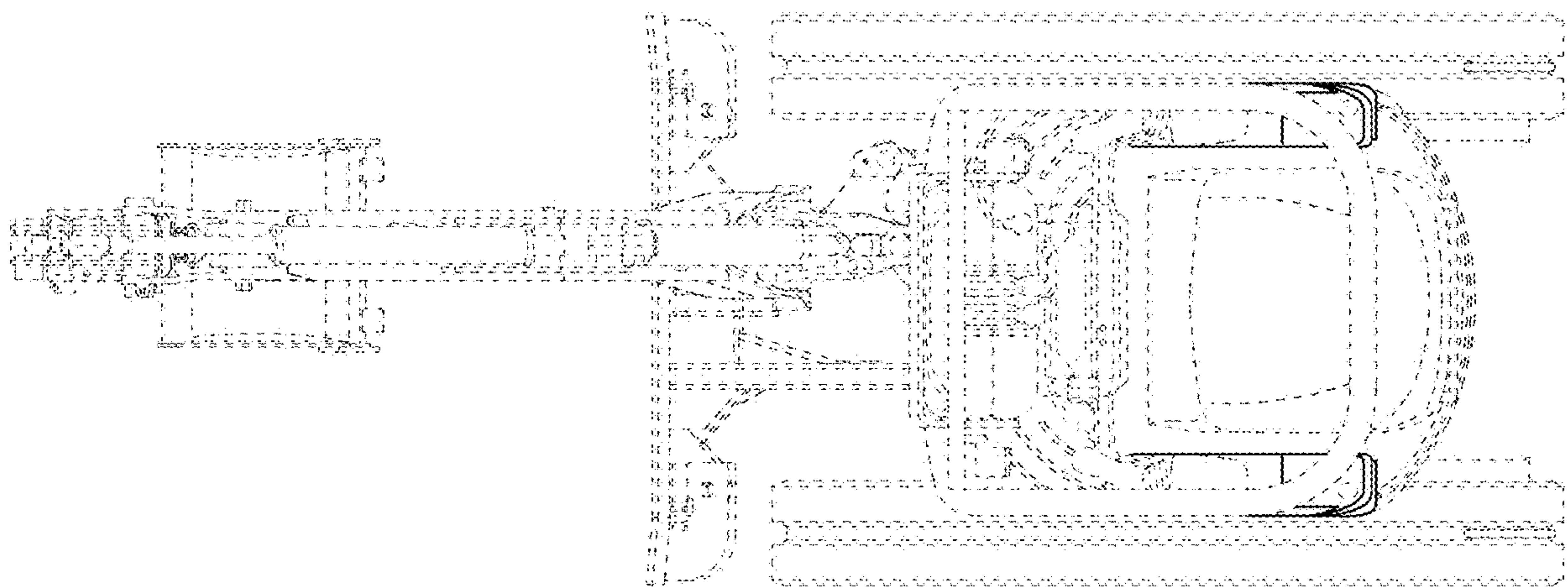
1.3



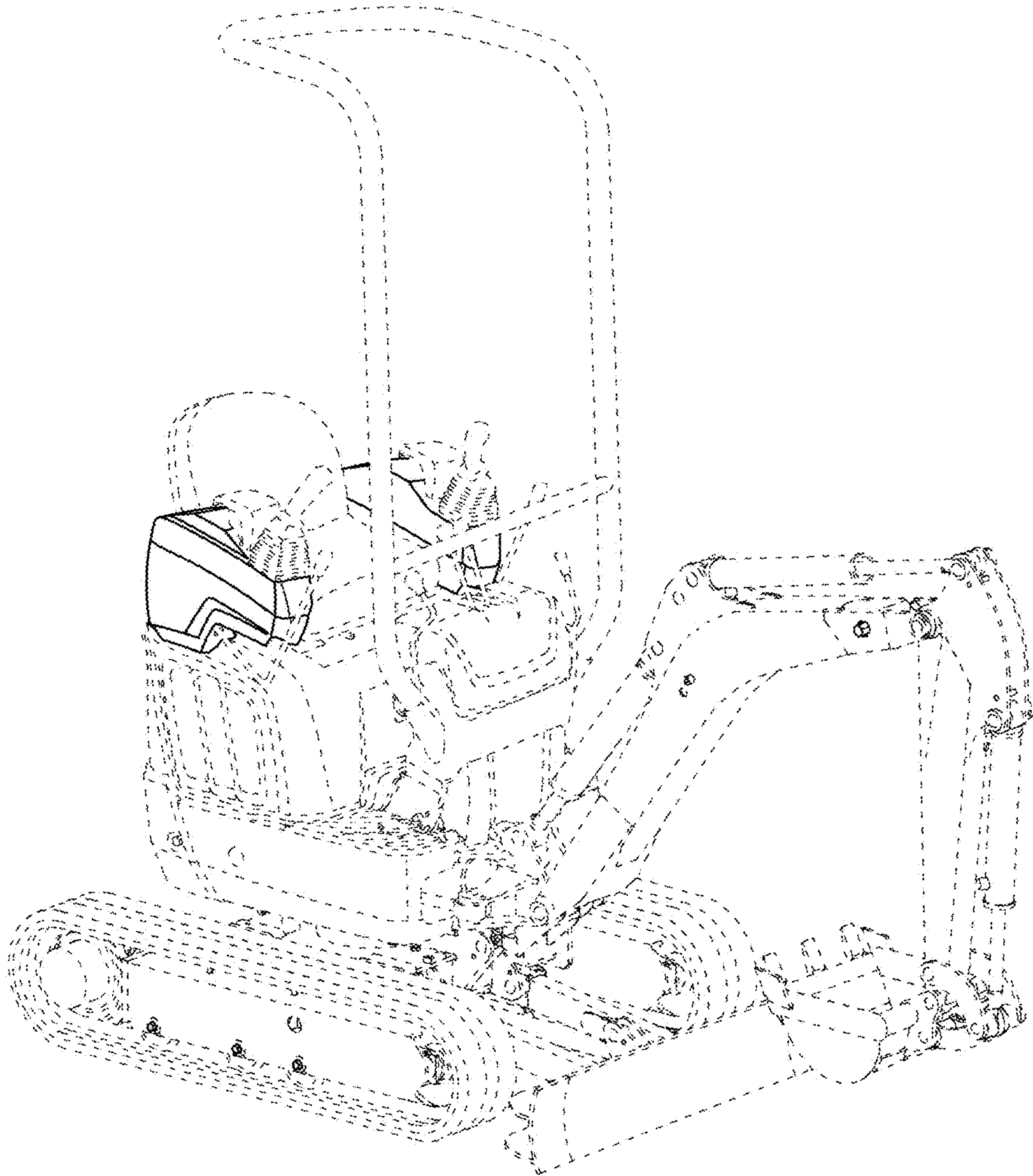
1.4



1.5

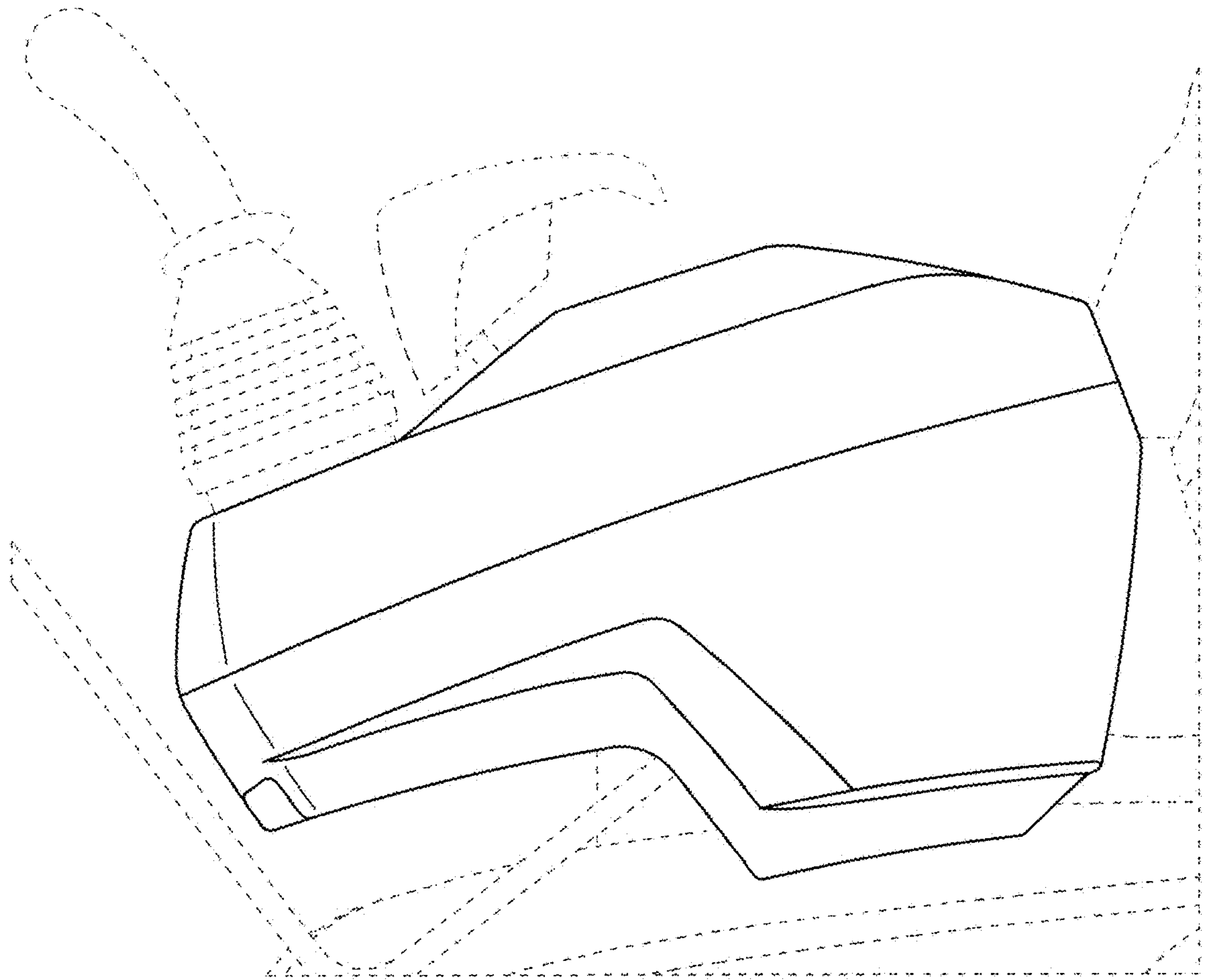


1.6

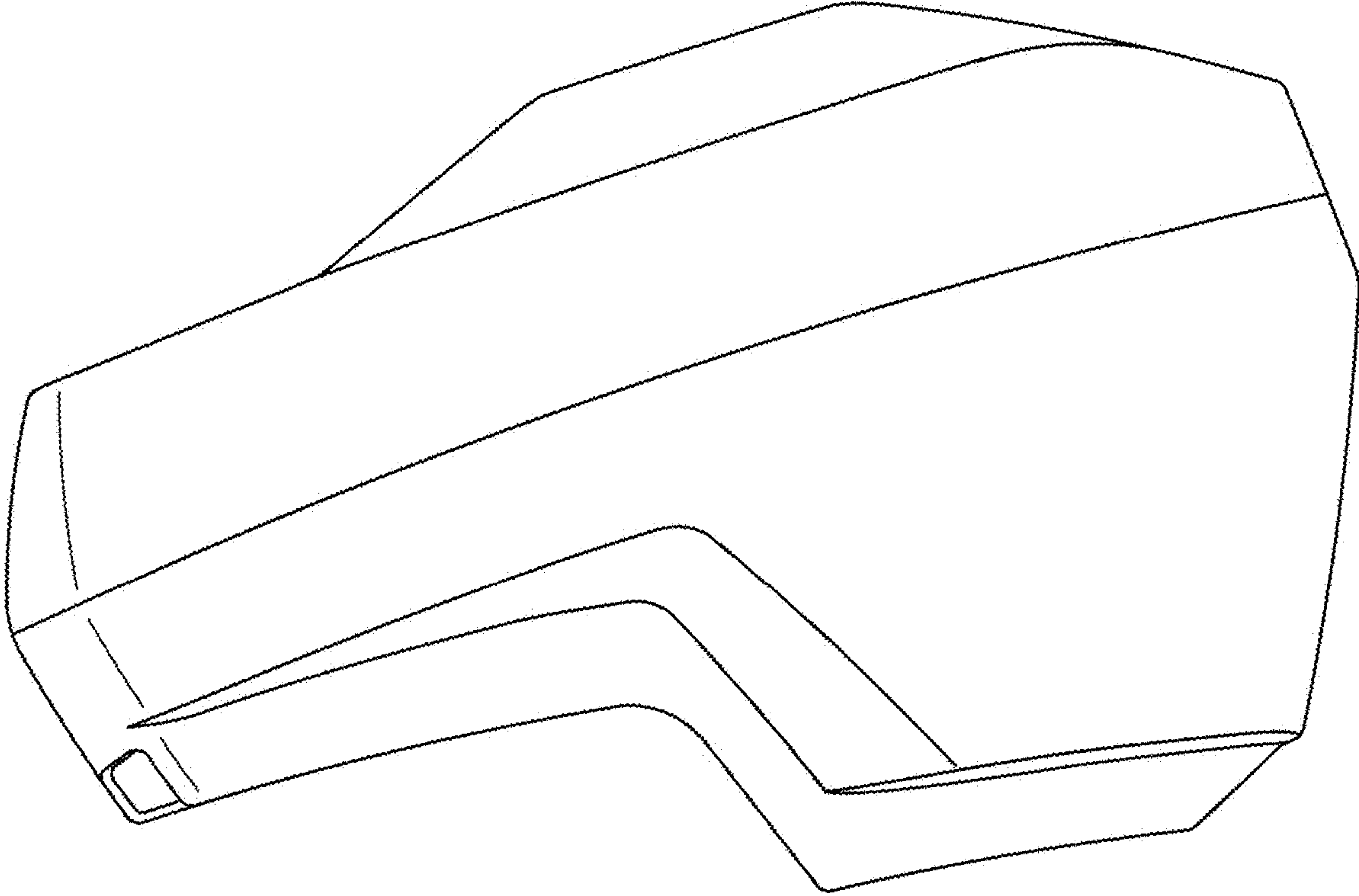




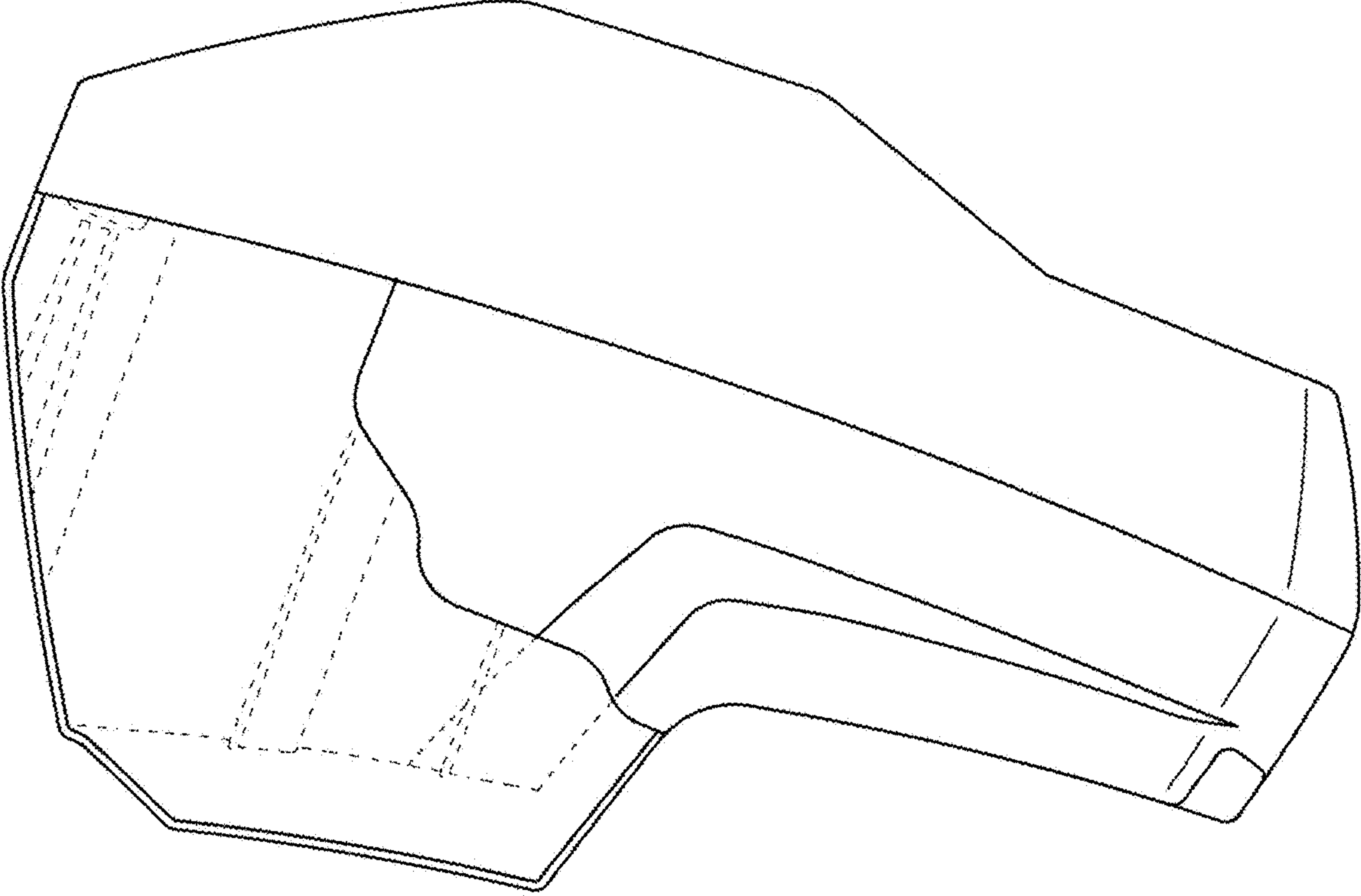
1.7



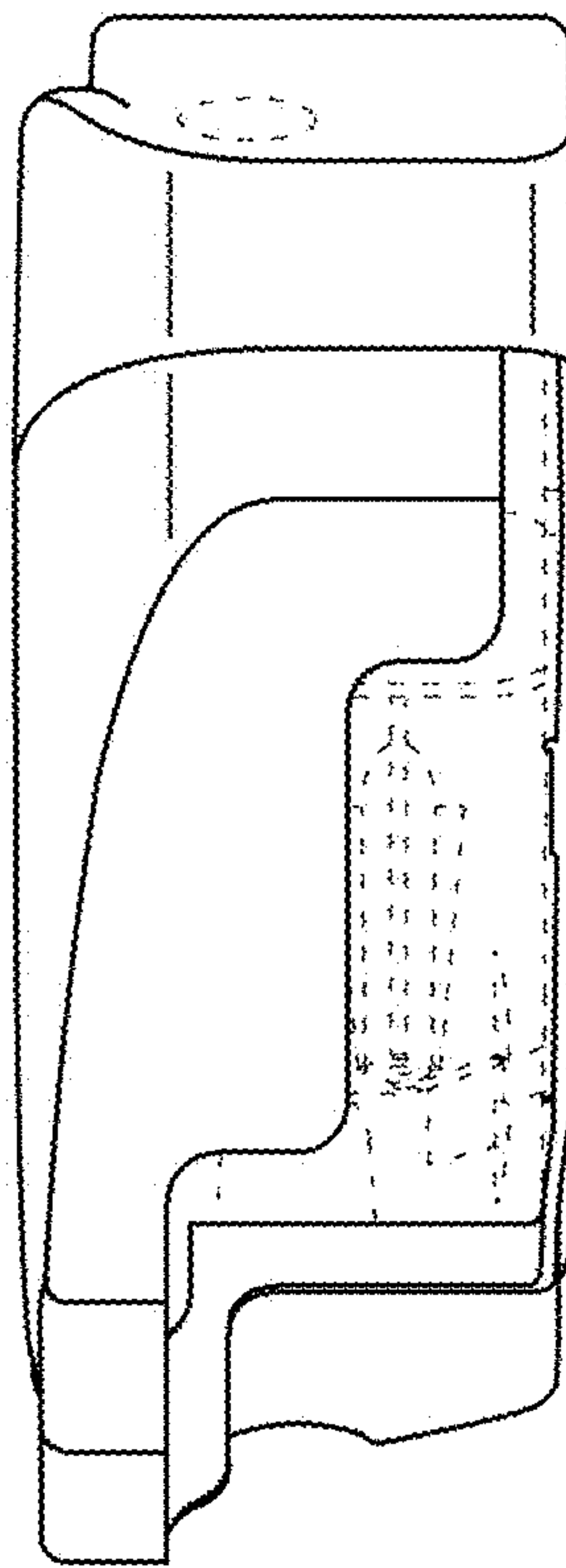
1.8



1.9

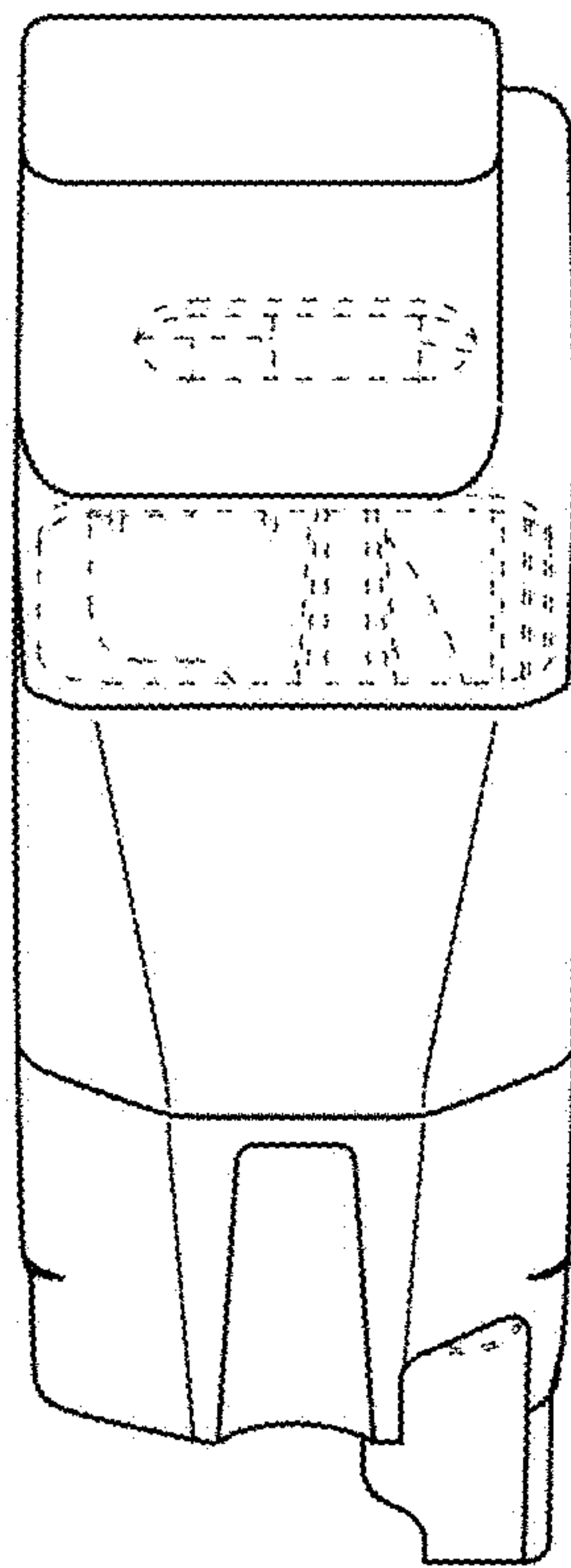


1.10

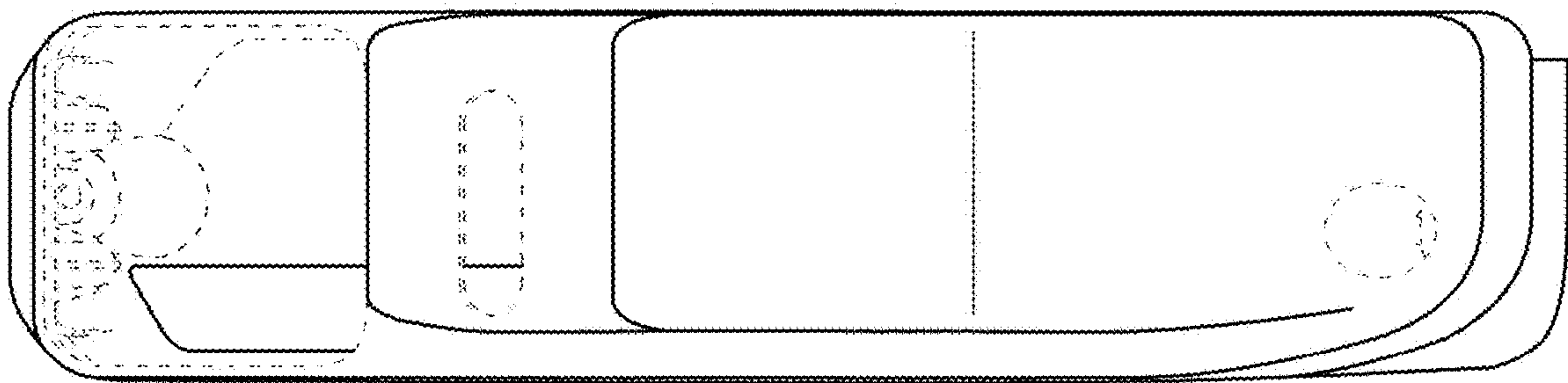




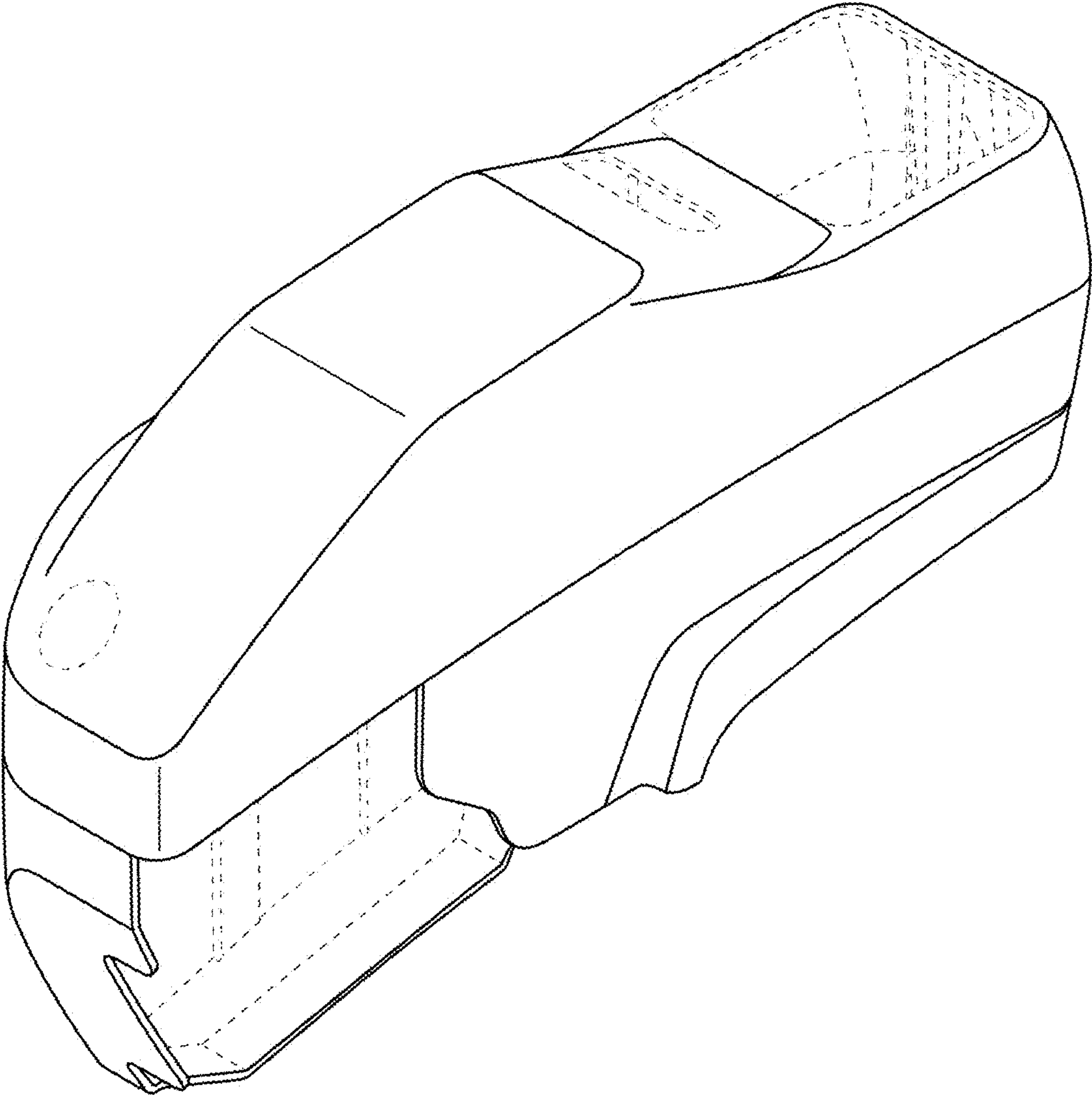
1.11



1.12



1.13



1.14

