



US00D969172S

(12) **United States Design Patent**
Chen

(10) **Patent No.:** **US D969,172 S**

(45) **Date of Patent:** **** Nov. 8, 2022**

(54) **ELECTRIC WATER BOTTLE PUMP**

(71) Applicant: **Fangfang Chen**, Anlu (CN)

(72) Inventor: **Fangfang Chen**, Anlu (CN)

(**) Term: **15 Years**

(21) Appl. No.: **29/805,878**

(22) Filed: **Aug. 31, 2021**

(51) **LOC (13) Cl.** **15-02**

(52) **U.S. Cl.**
USPC **D15/7**

(58) **Field of Classification Search**
USPC D28/9, 57, 62, 93, 99; D7/300–321, 398,
D7/401.1, 590; D23/210, 225, 231, 232,
D23/366; D15/7–9; D9/300, 448, 520,
D9/529, 530, 542, 543, 549, 558, 573,
D9/574
CPC A47K 5/16; A47K 5/1205; A47K 10/44;
B67D 1/02; B05D 1/02; B05C 17/0333;
B05B 7/24; B05B 11/00; B05B 11/3035;
B05B 9/14; B05B 23/02
See application file for complete search history.

(56) **References Cited**

U.S. PATENT DOCUMENTS

D183,072 S *	6/1958	Wentz	222/402.1
D293,409 S *	12/1987	Seike	D7/320
D295,522 S *	5/1988	Martin	D15/7
D534,425 S *	1/2007	Kuo	D9/448
D534,753 S *	1/2007	Christianson	D6/542
D555,669 S	11/2007	Preston		
D557,709 S	12/2007	Preston		
D659,167 S	5/2012	Cocks		
D665,667 S *	8/2012	Ghiorghie	D9/448
D800,176 S *	10/2017	Soto	D15/7
D818,004 S	5/2018	Lee		
D818,741 S *	5/2018	Yang	D6/542
D827,330 S *	9/2018	Wegner	D6/542
10,247,595 B2 *	4/2019	Chen	A47K 5/1217

D866,219 S *	11/2019	Wegner	D6/542
D876,234 S *	2/2020	Arminak	D9/448
D878,152 S *	3/2020	McDonald	D7/398
D885,442 S *	5/2020	Chen	D15/7
D905,119 S *	12/2020	Wang	D15/7
D906,723 S *	1/2021	Chen	D6/542
D910,084 S	2/2021	Huang		
D911,739 S *	3/2021	Zhao	D6/542
D916,499 S *	4/2021	Chen	D6/542

(Continued)

OTHER PUBLICATIONS

MSXCSE, Electric Water Bottle Pump, (first available Oct. 26, 2021), Amazon.com, URL:<<https://www.amazon.com/Electric-Dispenser-Charging-Drinking-Universal/dp/B09DSYL64Q>> (Year: 2021).*

(Continued)

Primary Examiner — Calvin E Vansant
Assistant Examiner — Mark T. Philipps
(74) *Attorney, Agent, or Firm* — Rumit Ranjit Kanakia

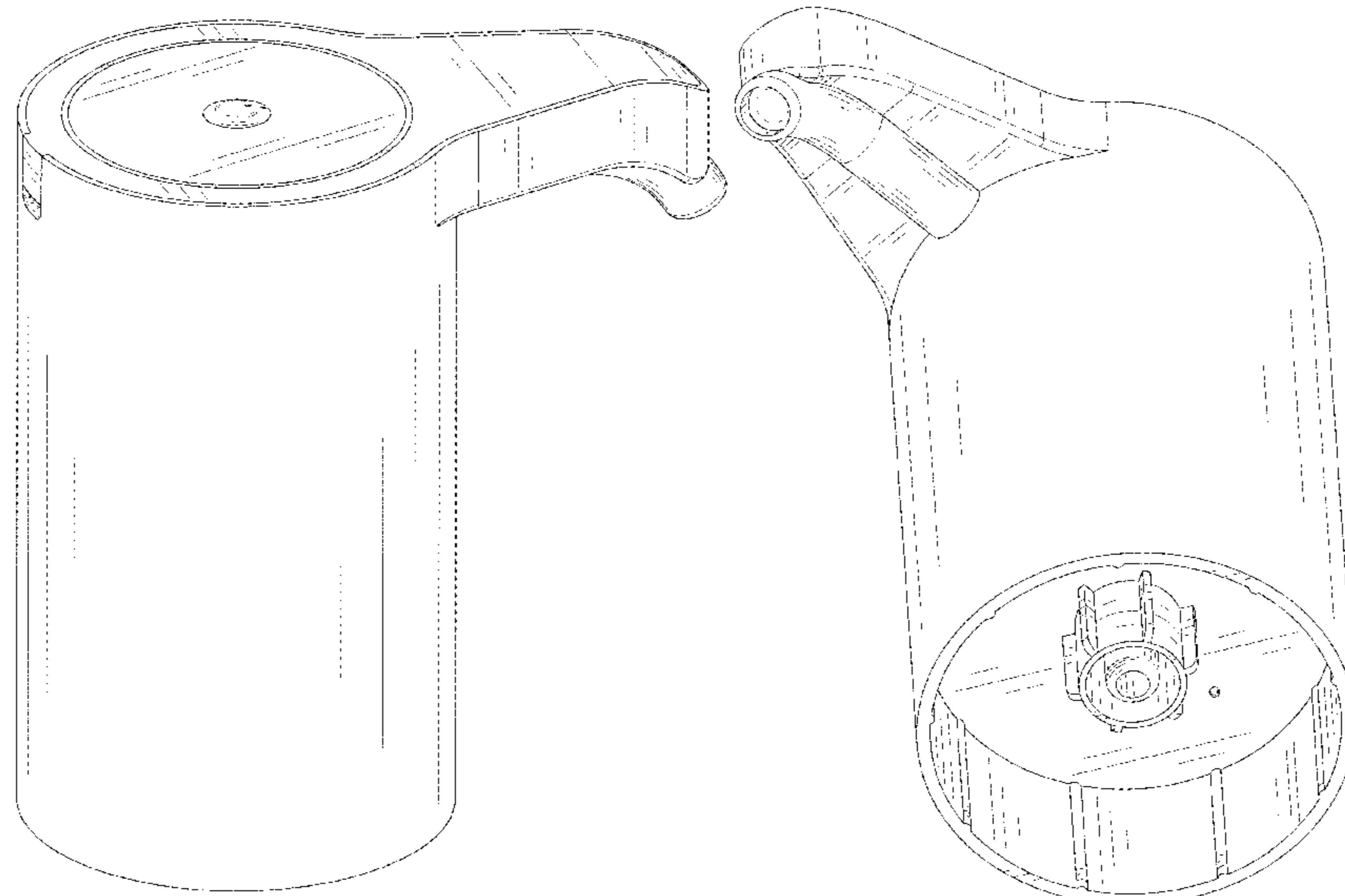
(57) **CLAIM**

The ornamental design for an electric water bottle pump, as shown and described.

DESCRIPTION

FIG. 1 is a front elevational view of an electric water bottle pump showing my new design;
FIG. 2 is a rear elevational view thereof;
FIG. 3 is a left side elevational view thereof;
FIG. 4 is a right side elevational view thereof;
FIG. 5 is a top plan view thereof;
FIG. 6 is a bottom plan view thereof;
FIG. 7 is a perspective view thereof; and,
FIG. 8 is another perspective view thereof.
The broken lines in the drawings depict portions of the electric water bottle pump that form no part of the claimed design.

1 Claim, 8 Drawing Sheets



(56)

References Cited

U.S. PATENT DOCUMENTS

D920,385	S	5/2021	Salim	
D937,606	S *	12/2021	Chen	D6/542
D953,062	S *	5/2022	Wang	D6/542
D953,063	S *	5/2022	Schmidt	D6/542
D953,772	S *	6/2022	Kuang	D6/542
2014/0332566	A1 *	11/2014	Peteri	B05B 11/3045 222/321.7

OTHER PUBLICATIONS

Ruiyusen, Water Bottle Pump 5 Gallon, (first available Aug. 13, 2021), Amazon.com, URL:<<https://www.amazon.com/Dispenser-Charging-Automatic-Drinking-Portable/dp/B09CKSWC4Z>> (Year: 2021).*

Momo, Lifestyle M4 5 Gallon Water Dispenser, (first available Mar. 20, 2021), Amazon.com, URL:<<https://www.amazon.com/dp/B08WF3MV56>> (Year: 2021).*

Oyye, Automatic Touchless Soap Dispenser, (first available Aug. 17, 2021), Amazon.com, URL:<<https://www.amazon.com/Automatic-Touchless-Oyye-Rechargeable-Adjustable/dp/B09CVB33R3>> (Year: 2021).*

Asnoty, Water Bottle Pump 5 Gallon, (first available Nov. 5, 2021), Amazon.com, URL:<<https://www.amazon.com/dp/B09L4V498X>> (Year: 2021).*

Tobelife, 5 Gallon Water Dispenser, (first available Apr. 15, 2021), Amazon.com, URL:<<https://www.amazon.com/Dispenser-tobelife-Portable-Universal-Automatic/dp/B092MBJM2C>> (Year: 2021).*

Myvision, 5 Gallon Water Dispenser, (first available Jan. 18, 2022), Amazon.com, URL:<<https://www.amazon.com/Myvision-Gallon-Dispenser-Portable-Electric/dp/B09QM3SG5M>> (Year: 2022).*

* cited by examiner

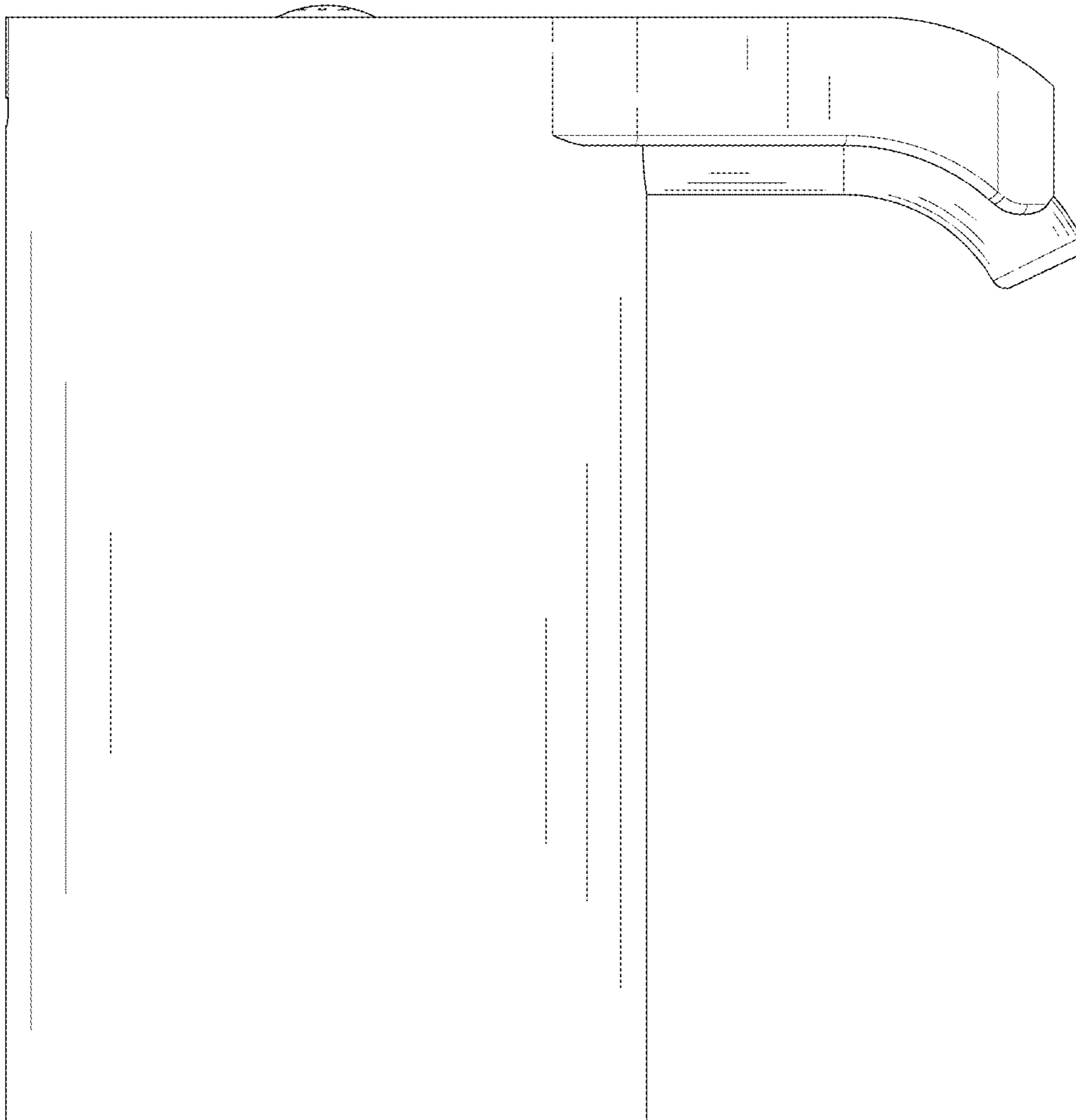


FIG. 1

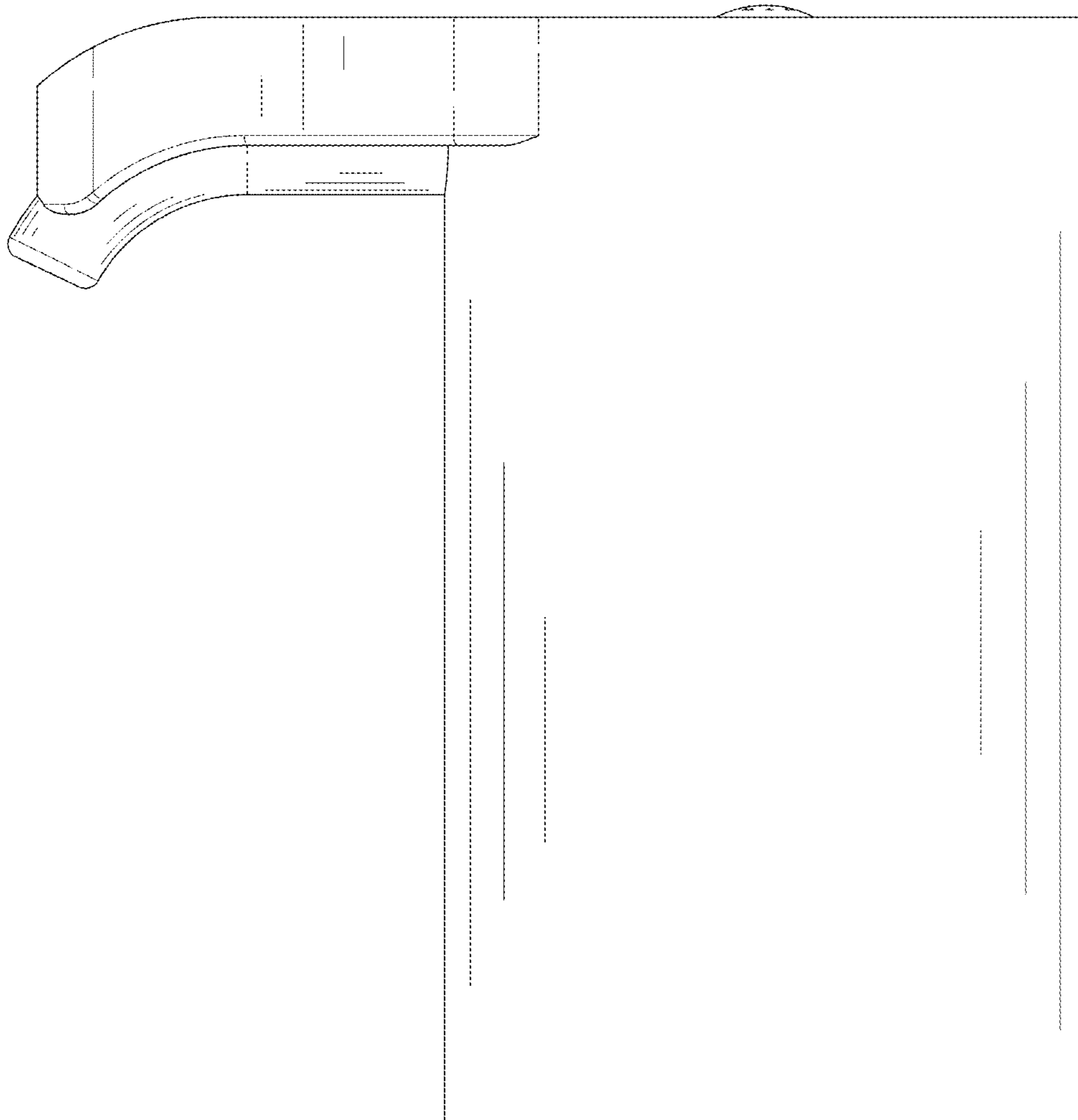


FIG. 2

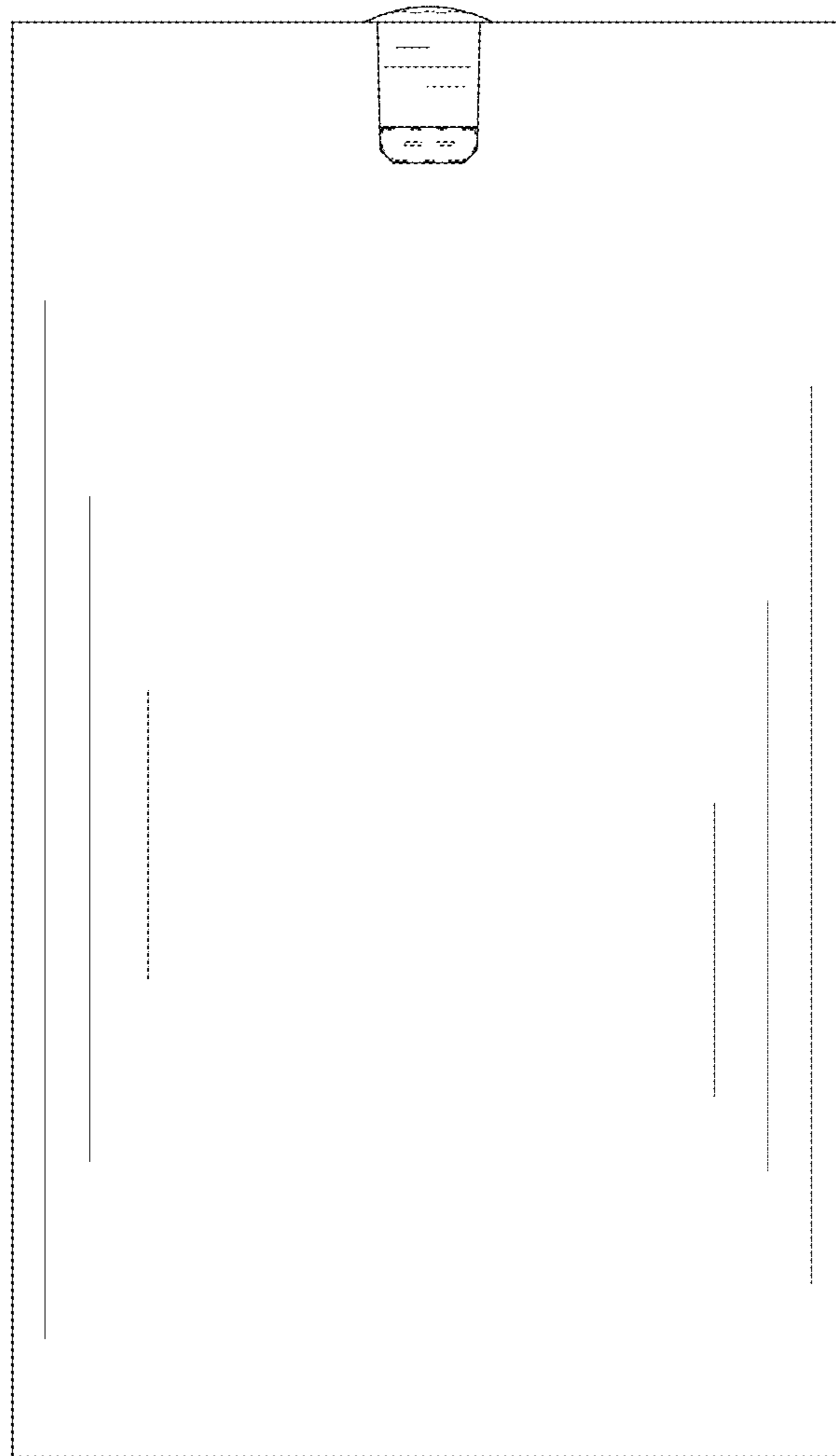


FIG. 3

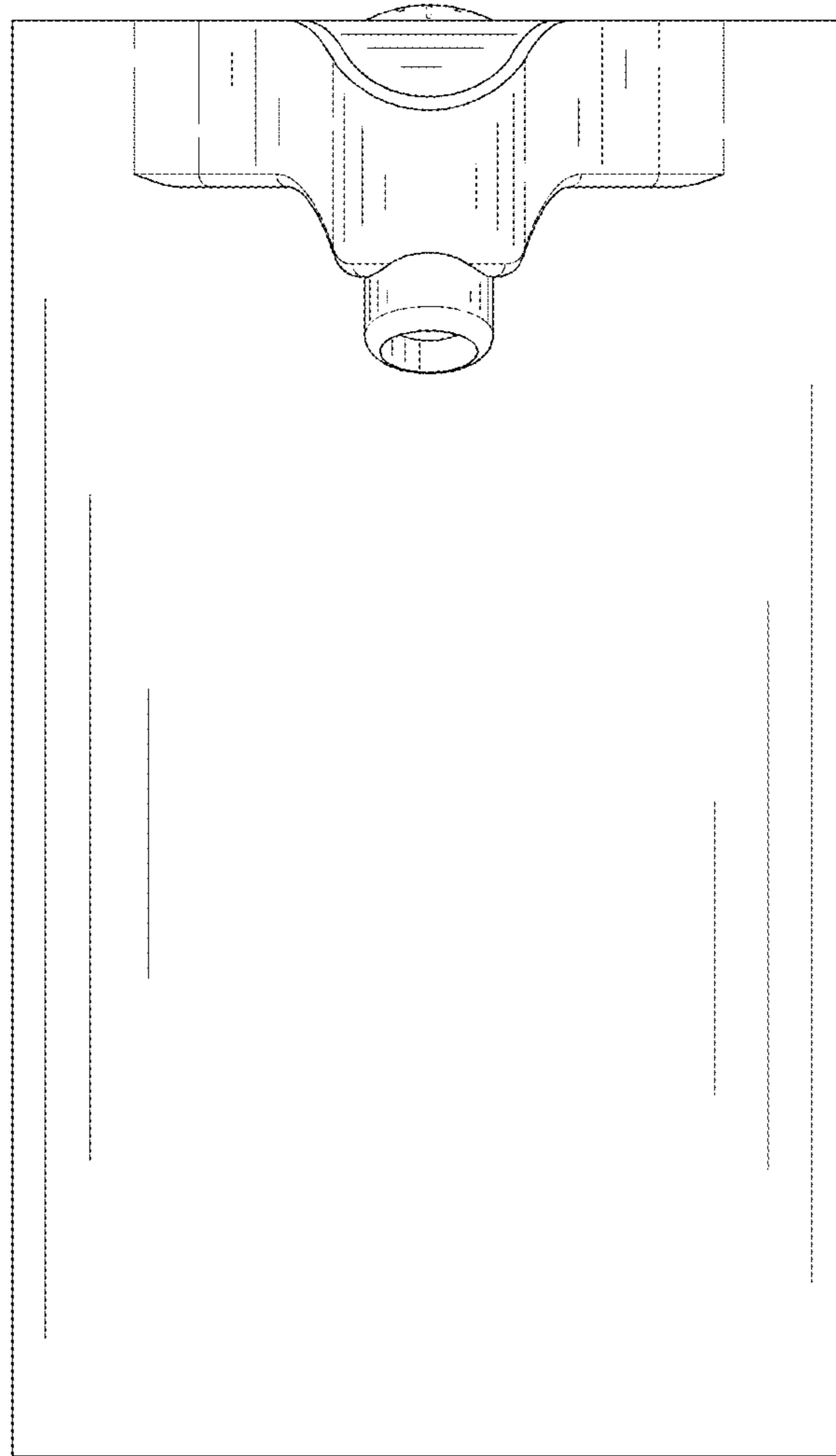


FIG. 4

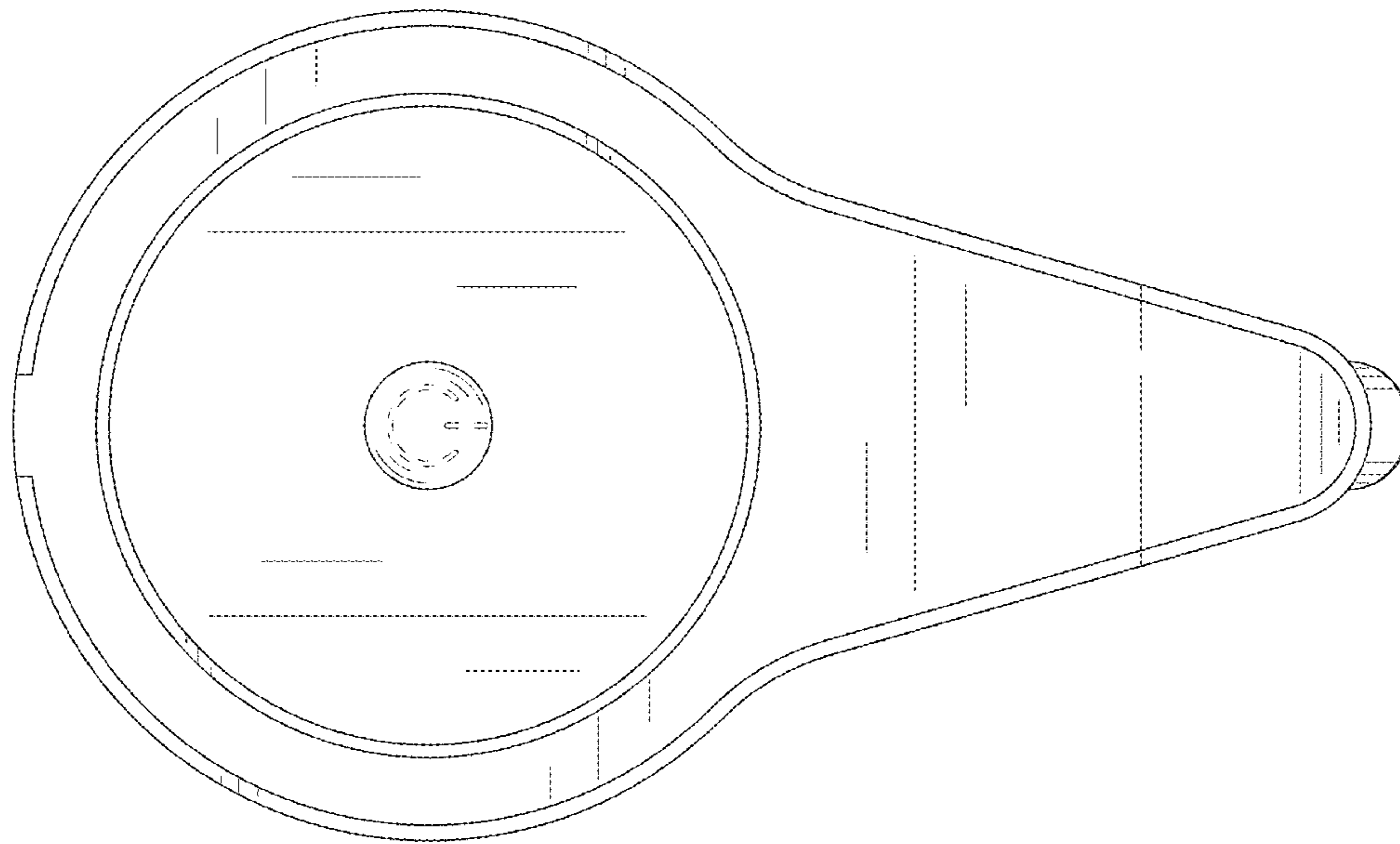


FIG. 5

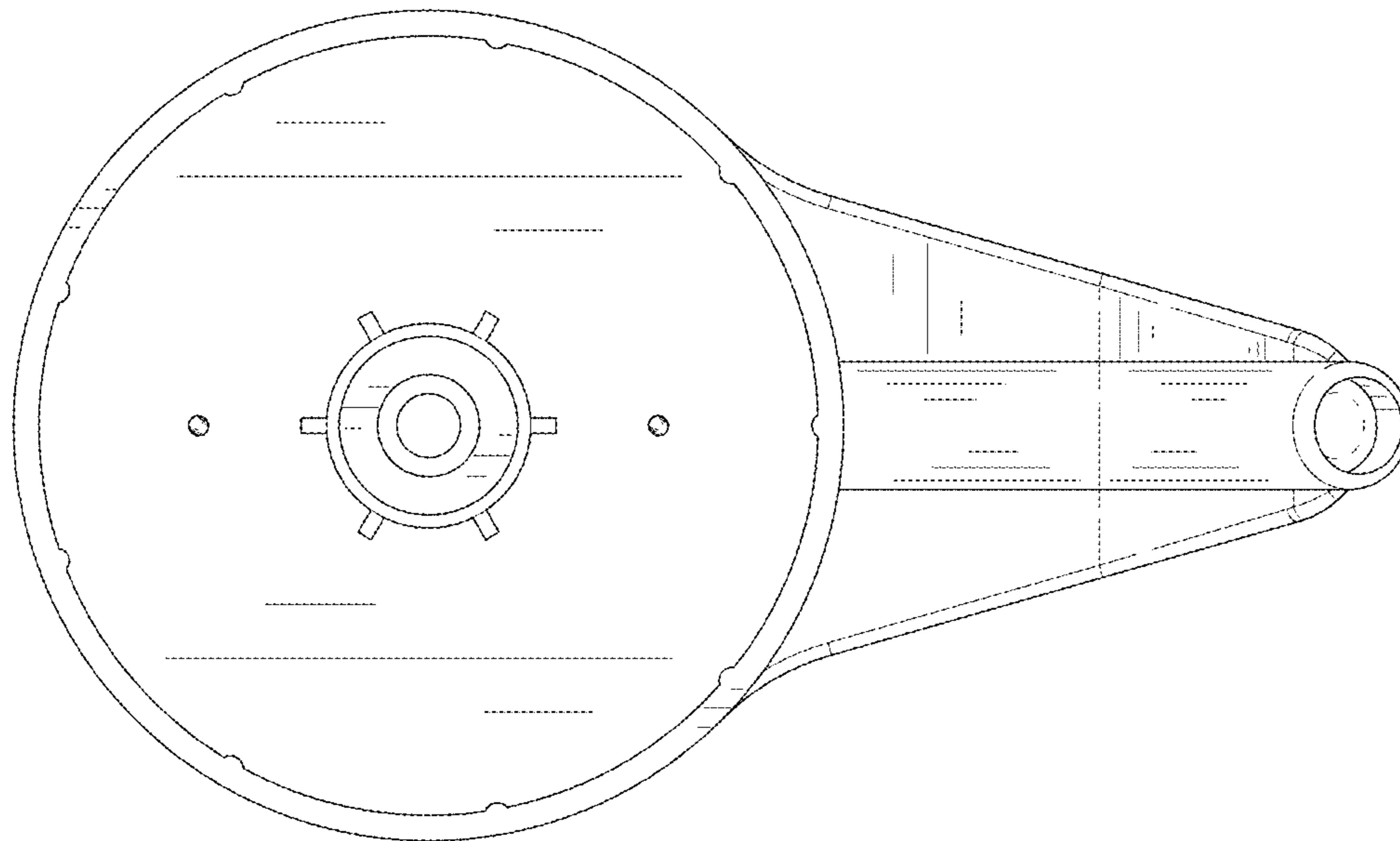


FIG. 6

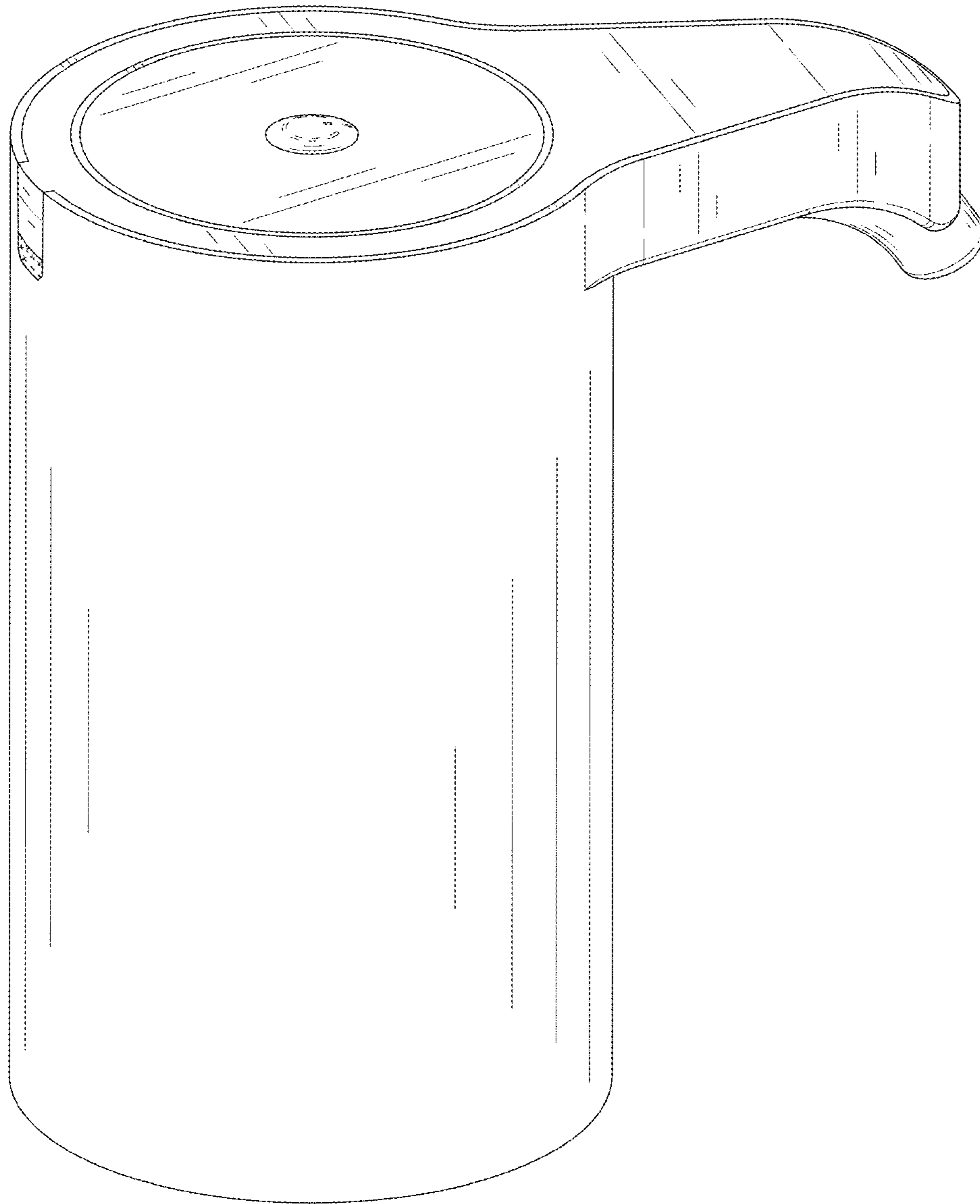


FIG. 7

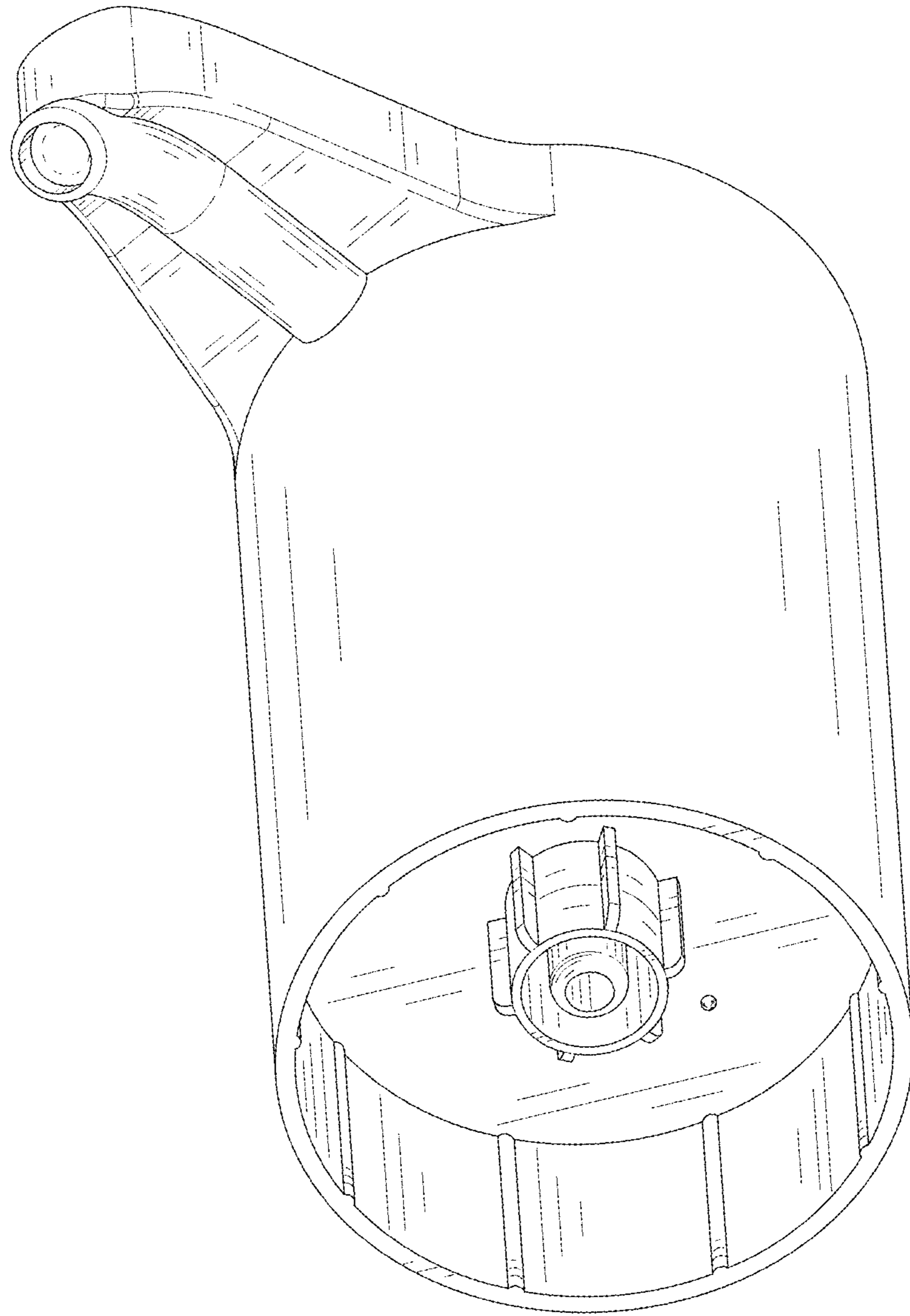


FIG. 8