



US00D969169S

(12) **United States Design Patent** (10) **Patent No.:** **US D969,169 S**  
**Ichikawa et al.** (45) **Date of Patent:** **\*\* Nov. 8, 2022**

(54) **GENERAL PURPOSE ENGINE**  
(71) Applicant: **Kubota Corporation**, Osaka (JP)  
(72) Inventors: **Takayuki Ichikawa**, Sakai (JP); **Satoshi Sugimoto**, Sakai (JP); **Takahito Uemura**, Sakai (JP); **Satoshi Watanabe**, Sakai (JP); **Akira Tamura**, Sakai (JP)

(73) Assignee: **Kubota Corporation**, Osaka (JP)

(\*\*) Term: **15 Years**

(21) Appl. No.: **29/665,847**

(22) Filed: **Oct. 8, 2018**

(30) **Foreign Application Priority Data**

Apr. 19, 2018 (JP) ..... 2018-008628

(51) **LOC (13) Cl.** ..... **15-01**

(52) **U.S. Cl.**  
USPC ..... **D15/3**

(58) **Field of Classification Search**  
USPC ..... D15/1, 2, 3, 4, 5, 6  
CPC ..... F02B 75/007; F02B 2710/03; F02B 2075/1816; F01M 13/04  
See application file for complete search history.

(56) **References Cited**

**U.S. PATENT DOCUMENTS**

D494,191 S 8/2004 Aketa et al.  
D499,741 S 12/2004 Aketa et al.  
D529,513 S 10/2006 Aketa et al.  
D619,149 S 7/2010 Aketa et al.  
D649,978 S 12/2011 Aketa et al.

D685,819 S 7/2013 Hataura et al.  
D685,820 S 7/2013 Okuda et al.  
D710,899 S \* 8/2014 Kuehner ..... D15/1  
D719,977 S 12/2014 Aketa et al.  
D721,097 S 1/2015 Kosaka et al.  
D849,796 S \* 5/2019 Ichikawa ..... D15/3  
2011/0180344 A1 \* 7/2011 Kimura ..... B60K 13/02  
180/309  
2019/0145296 A1 \* 5/2019 Kimura ..... F02B 39/14  
60/605.3  
2019/0345855 A1 \* 11/2019 Oso ..... F01M 13/0011  
2020/0300334 A1 \* 9/2020 Kashiwa ..... F02D 35/00

\* cited by examiner

*Primary Examiner* — Ania Aman

(74) *Attorney, Agent, or Firm* — The Webb Law Firm

(57) **CLAIM**

The ornamental design for a general purpose engine, as shown and described.

**DESCRIPTION**

FIG. 1 is a front elevation view of a general purpose engine, showing our new design;  
FIG. 2 is a rear elevation view thereof;  
FIG. 3 is a left side elevation view thereof;  
FIG. 4 is a right side elevation view thereof;  
FIG. 5 is a top view thereof;  
FIG. 6 is a bottom view thereof;  
FIG. 7 is an upper left rear perspective view thereof;  
FIG. 8 is an upper right front perspective view thereof;  
FIG. 9 is a lower left front perspective view thereof; and,  
FIG. 10 is a lower right rear perspective view thereof.  
In the drawings, the broken lines shown in FIGS. 1, 2, 4 and 5 depict unclaimed subject matter only and form no part of the claimed design.

**1 Claim, 10 Drawing Sheets**

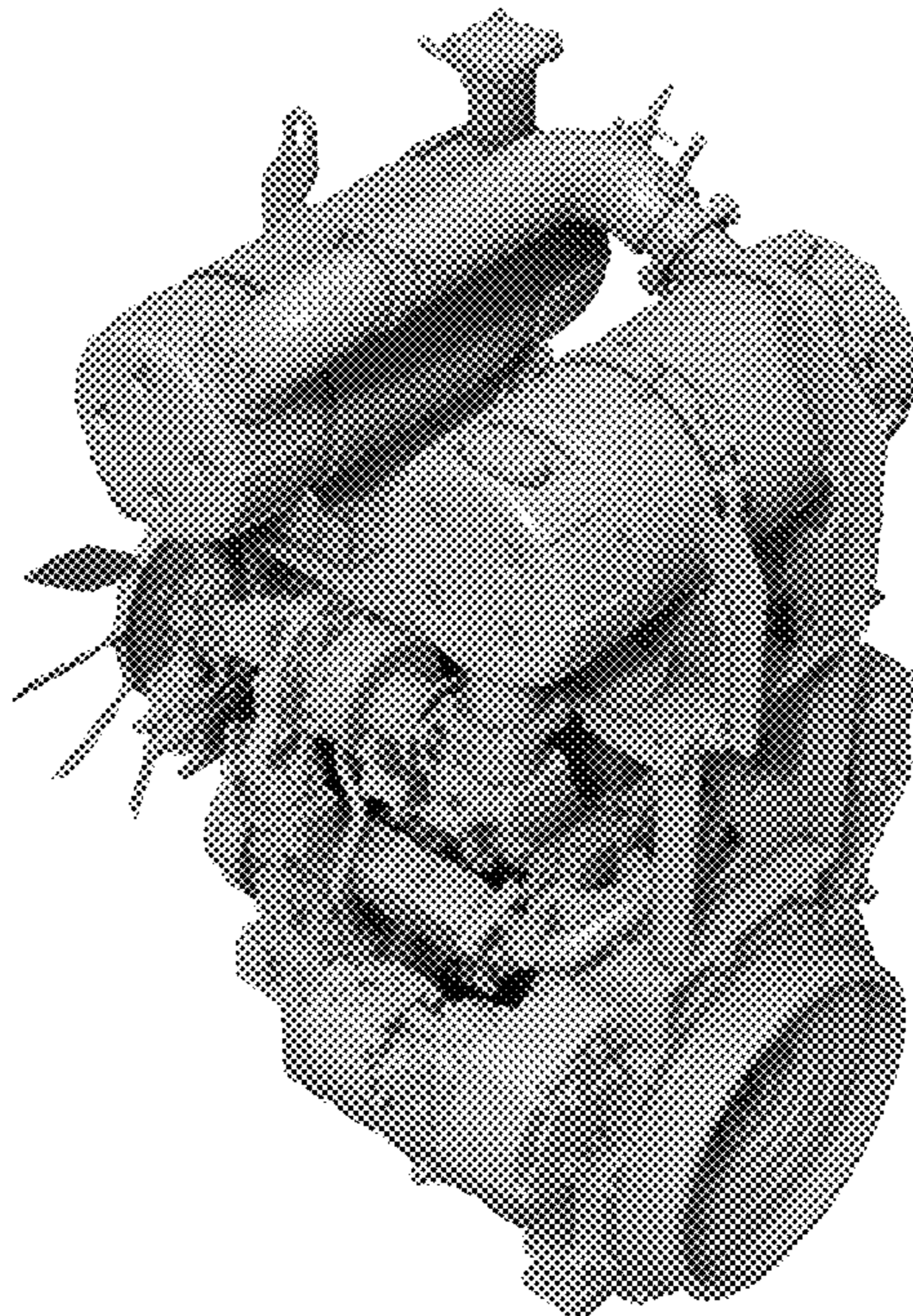


Fig.1

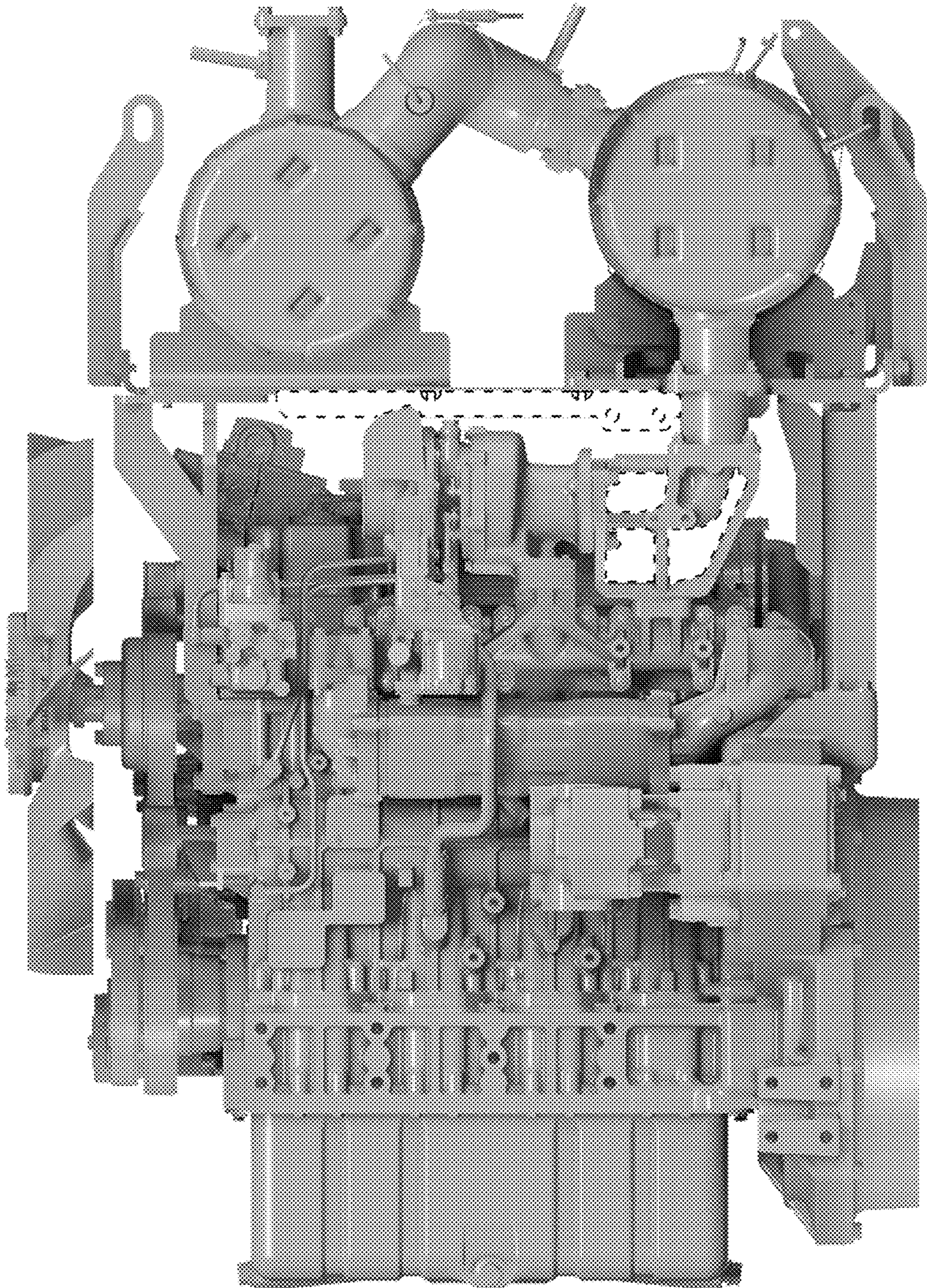


Fig.2

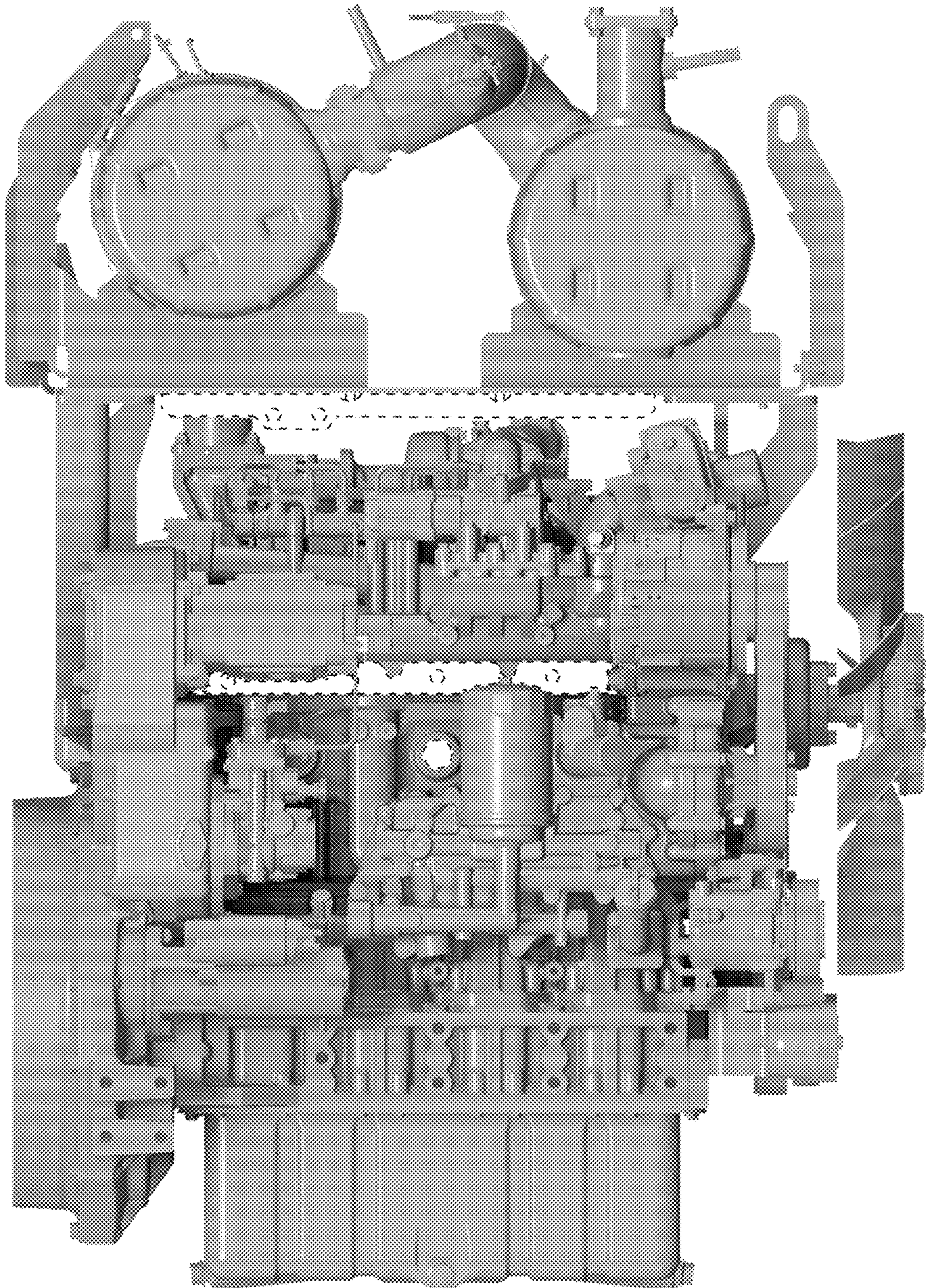


Fig.3

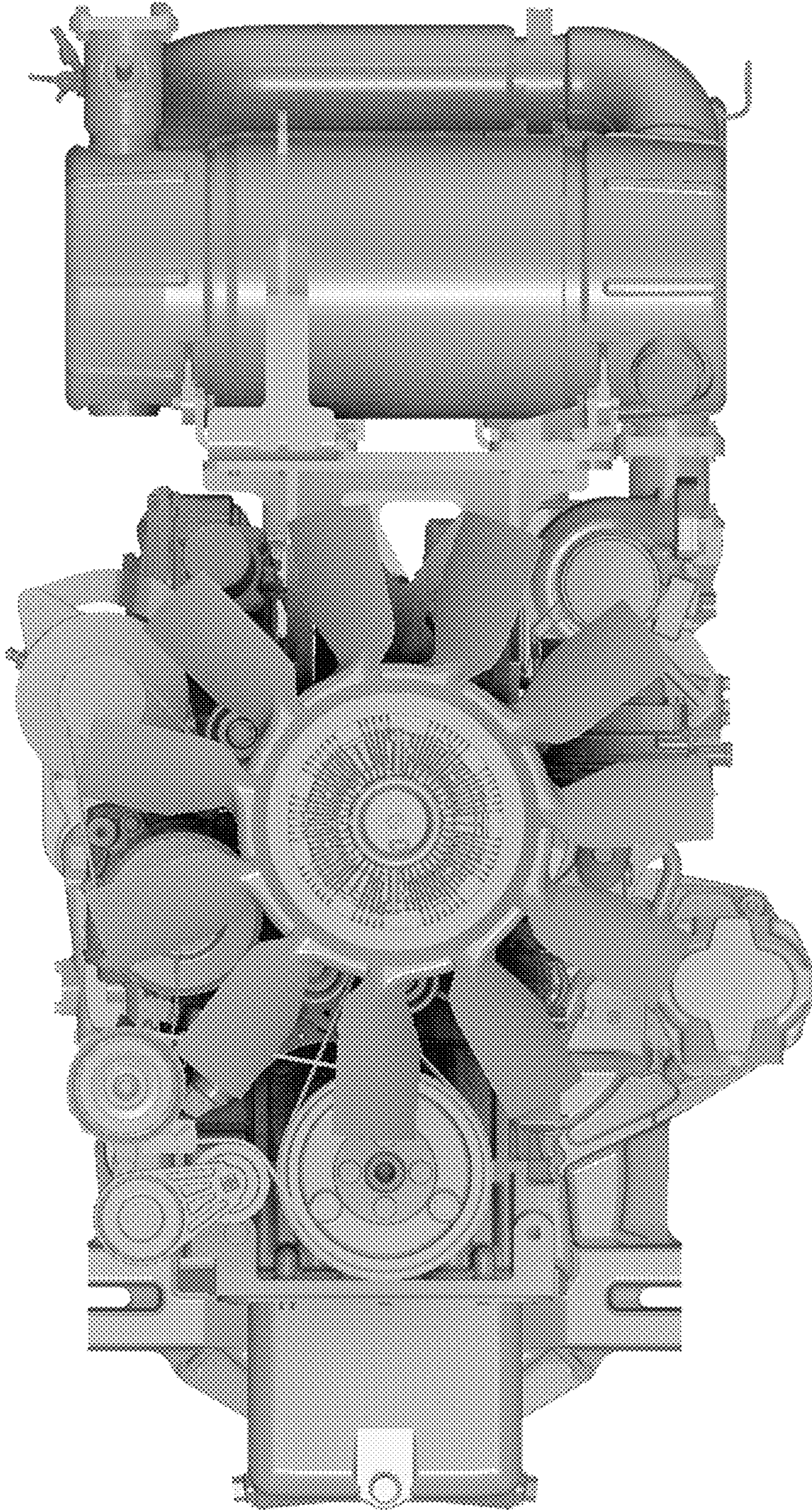


Fig.4

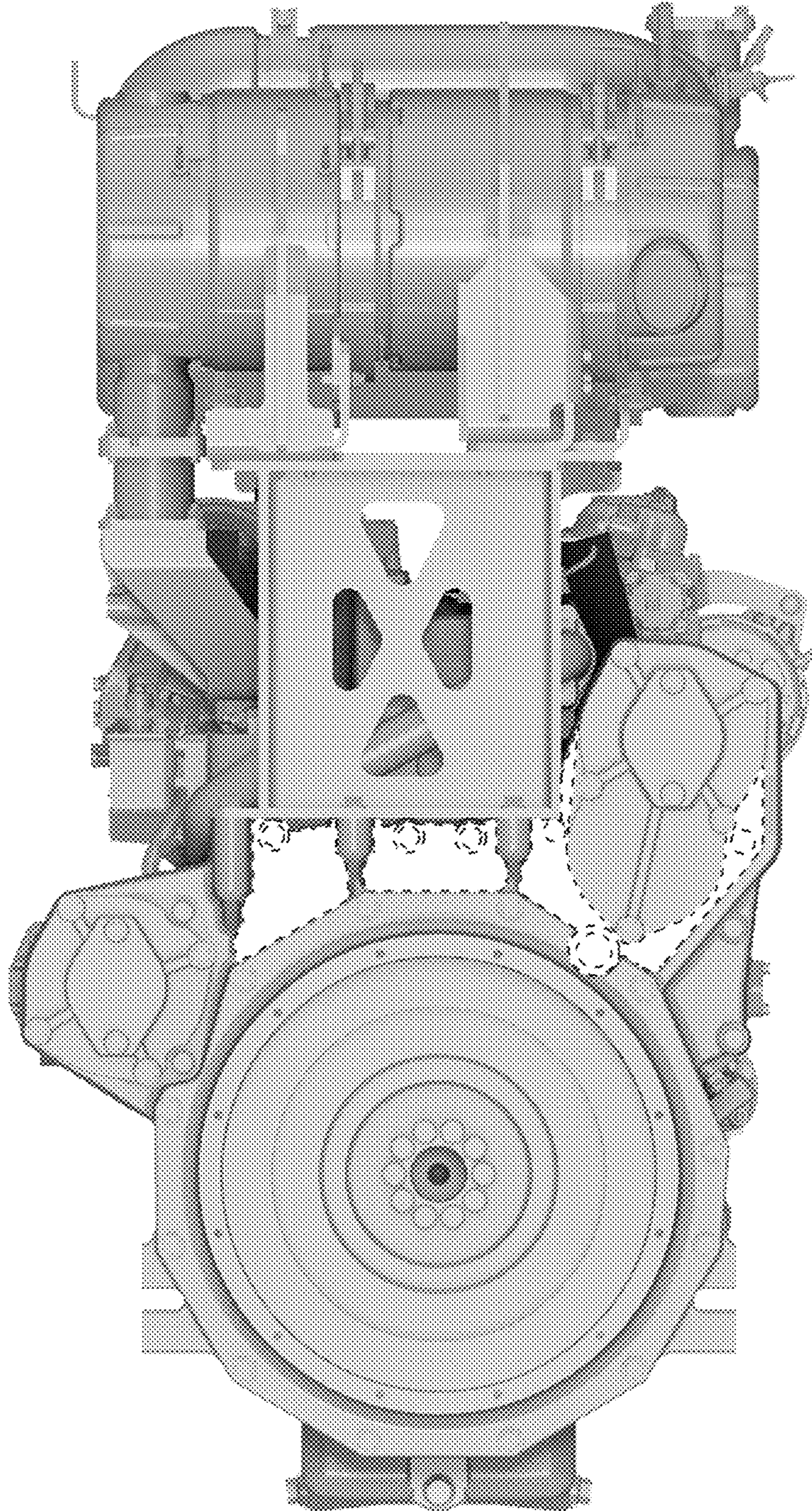


Fig.5

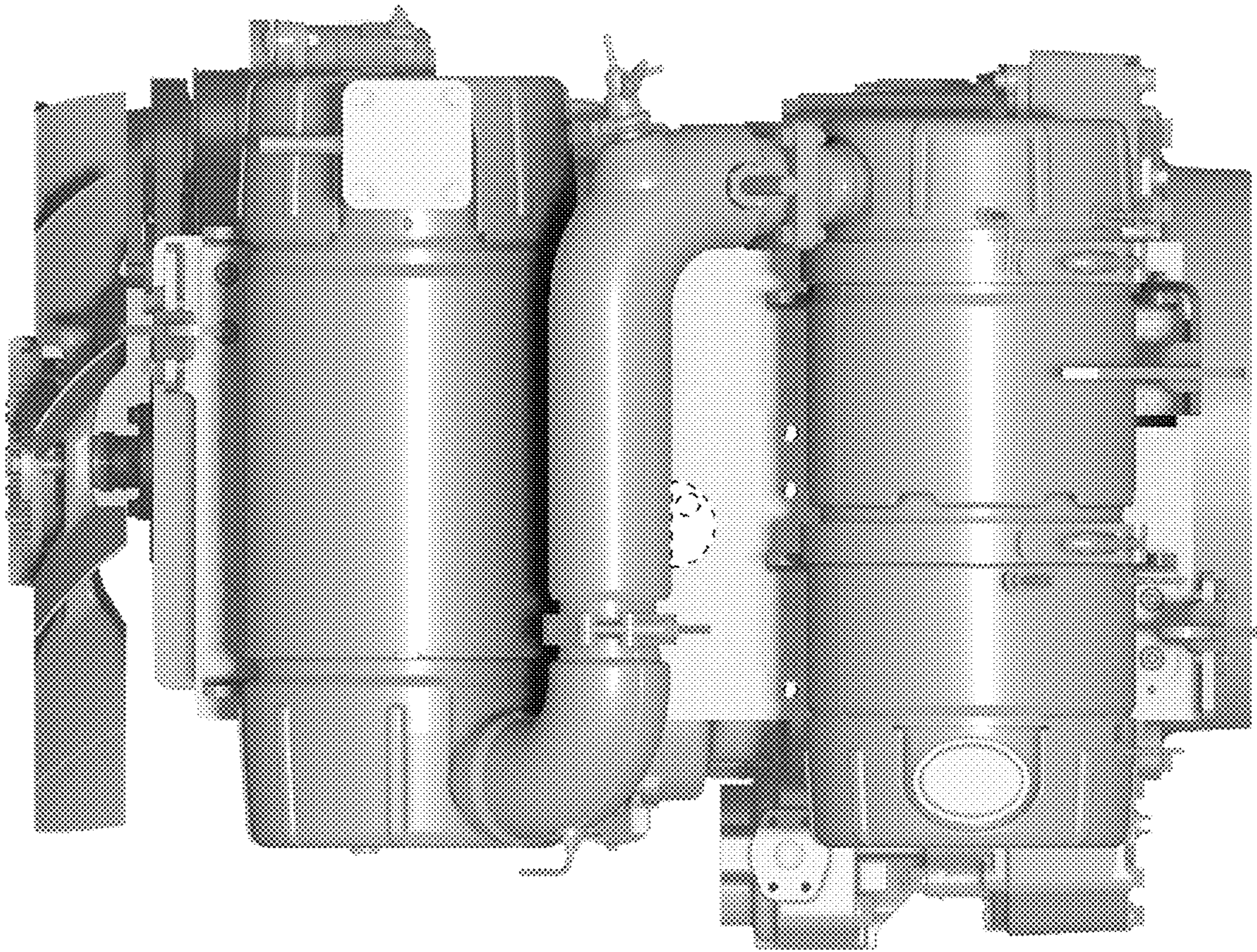


Fig.6

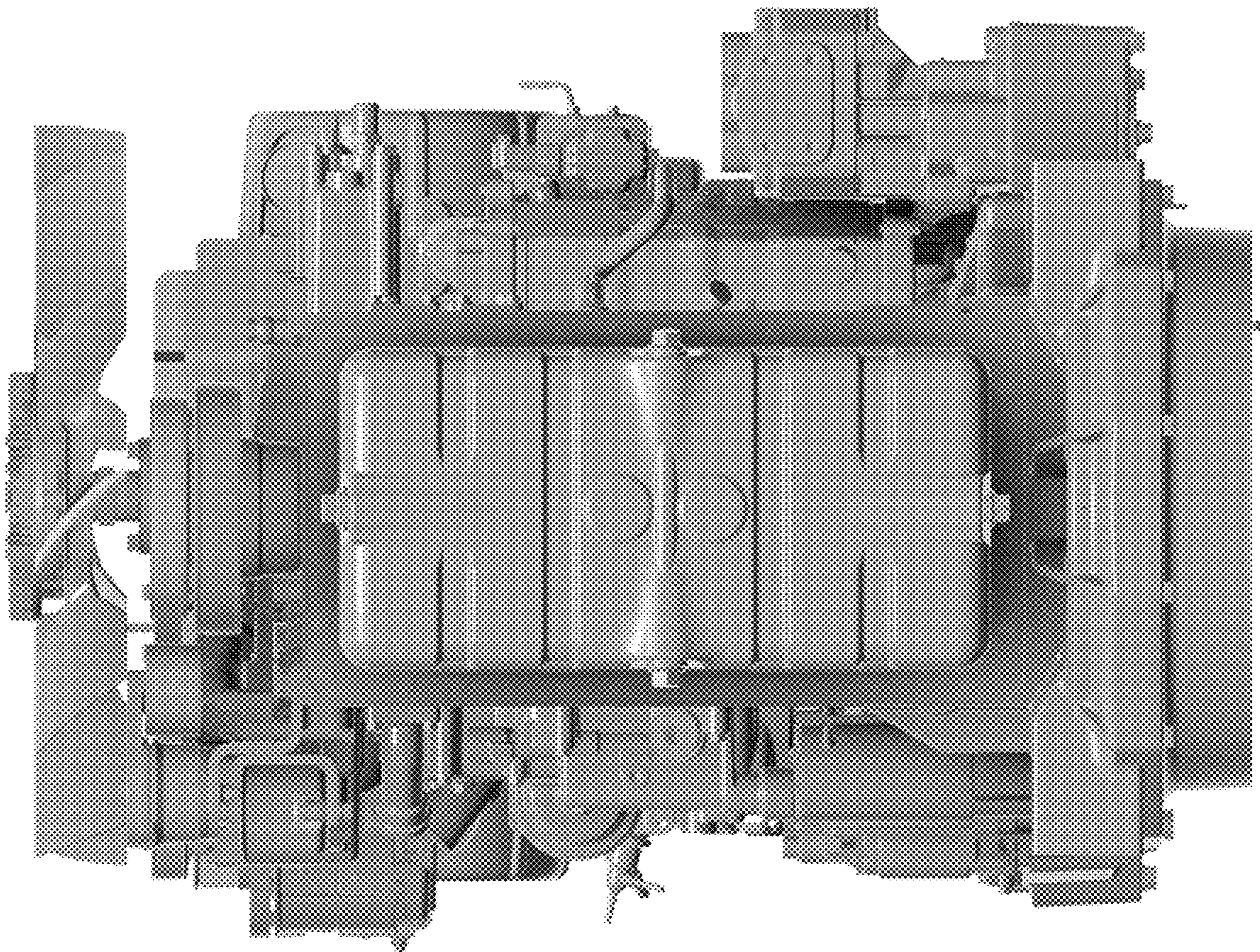


Fig.7

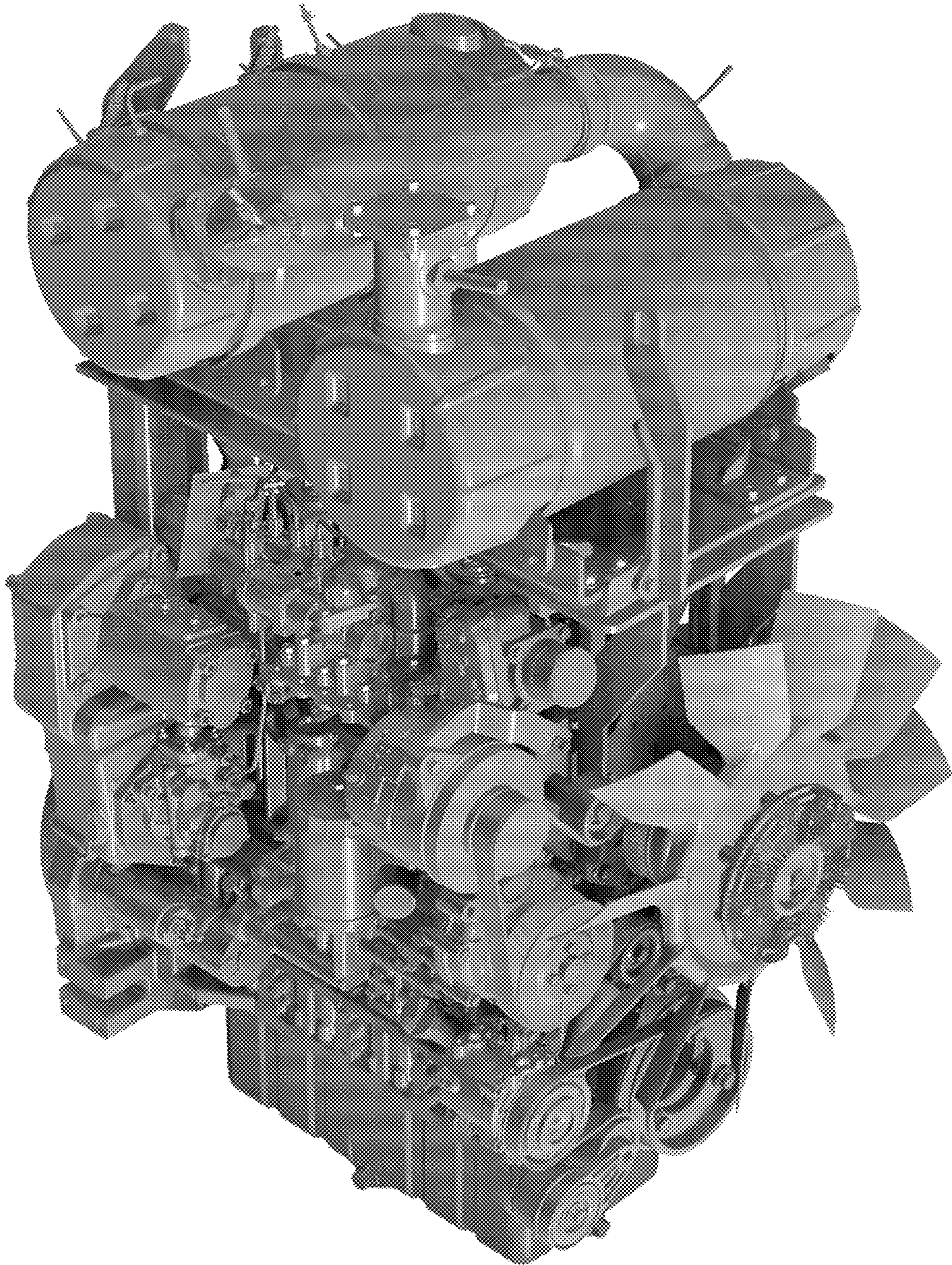




Fig. 8

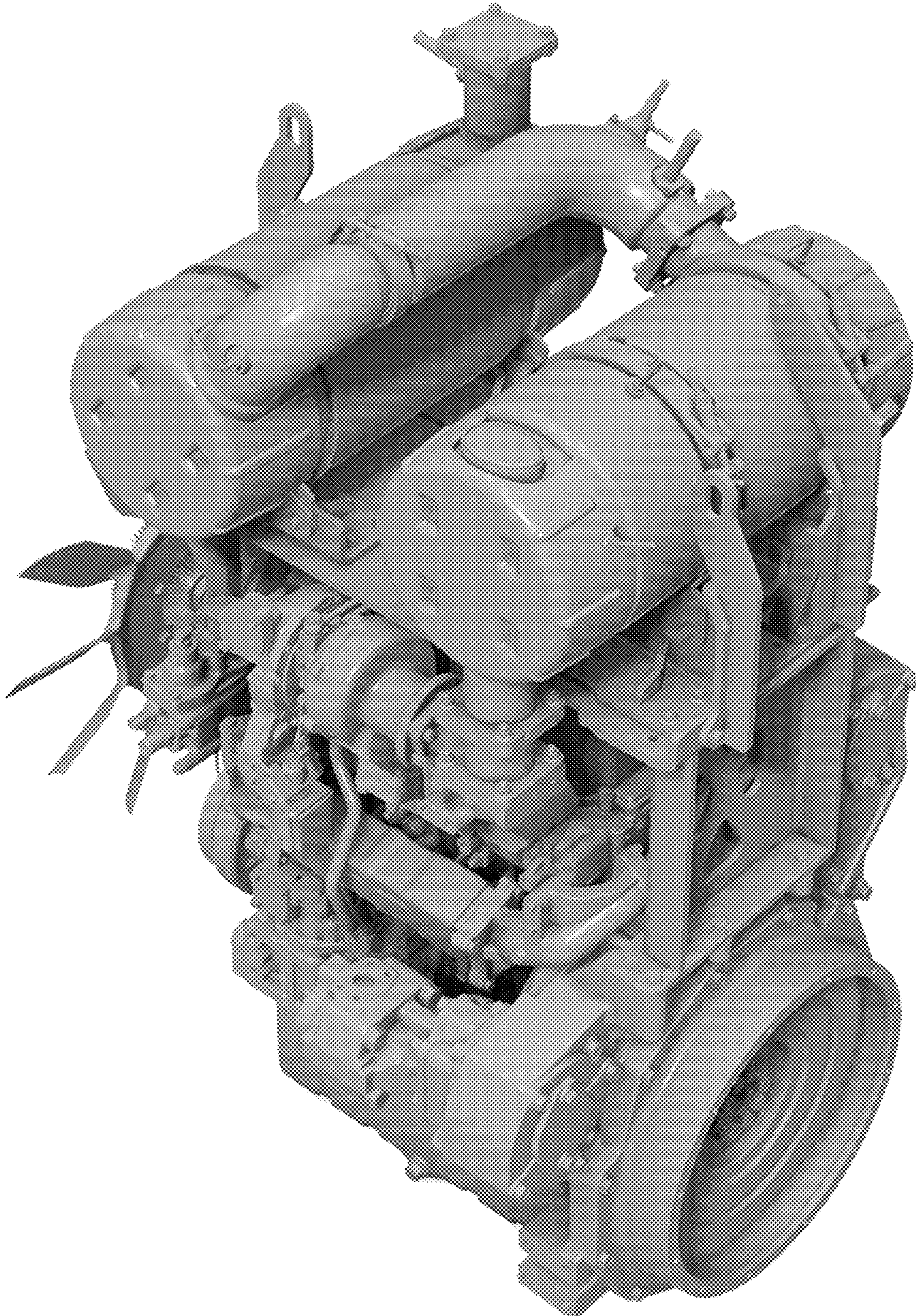


Fig.9

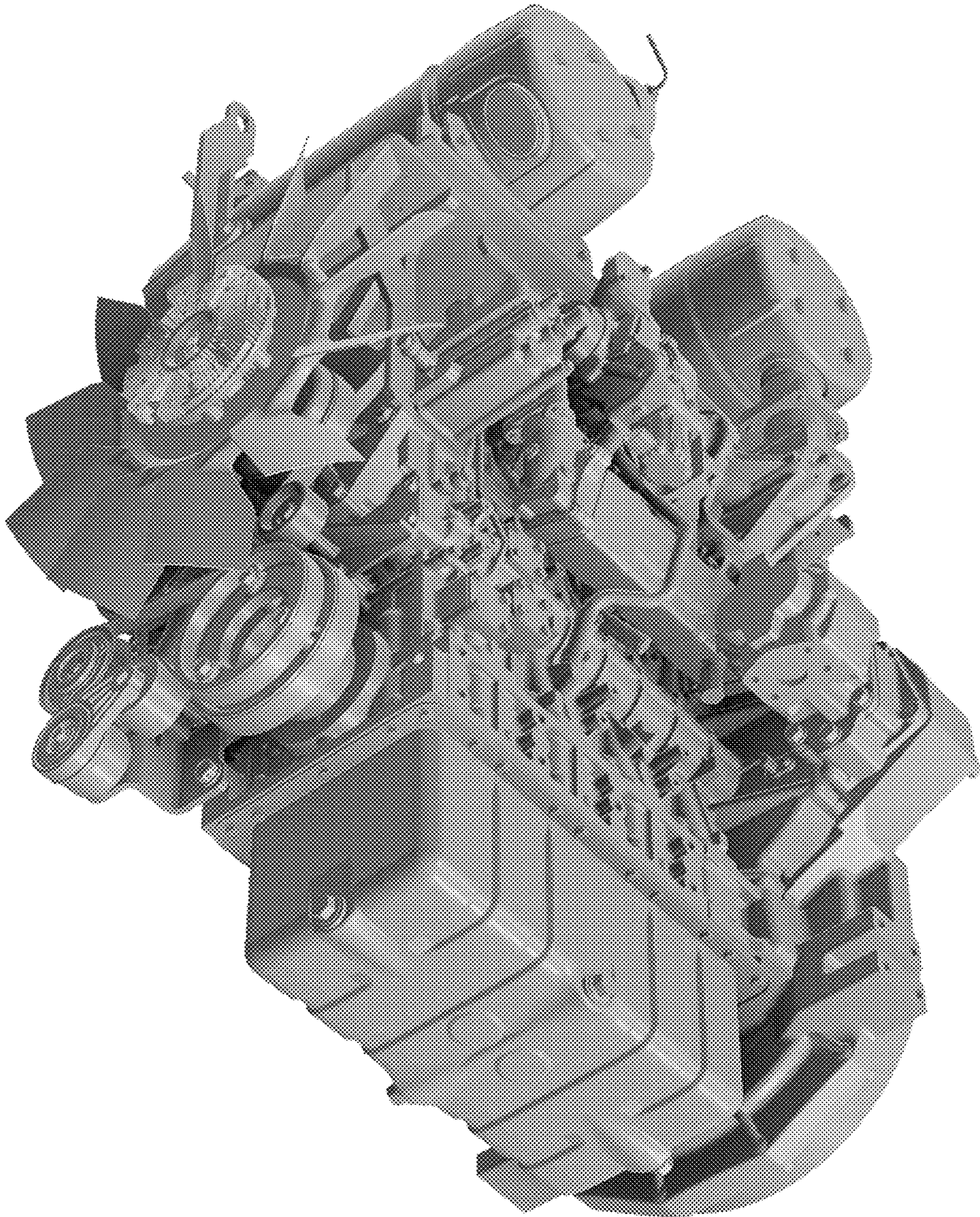


Fig.10

