



US00D969168S

(12) **United States Design Patent** (10) **Patent No.:** **US D969,168 S**
Davis et al. (45) **Date of Patent:** **** Nov. 8, 2022**

(54) **SUSPENSION ENGINE** 6,155,717 A * 12/2000 Michioka F16H 25/2418
74/89.32
(71) Applicant: **GRIPPLE LIMITED**, Sheffield (GB) 10,914,341 B2 * 2/2021 Kishi F16C 29/0642
D928,601 S * 8/2021 Reynolds D8/383
(72) Inventors: **Simon Davis**, Sheffield (GB); **Oliver**
Sunderland, Sheffield (GB) 2006/0023978 A1 * 2/2006 Haub F16C 29/0609
384/13
(73) Assignee: **GRIPPLE LIMITED** 2009/0247360 A1 * 10/2009 Ben-Shabat F01B 9/047
477/115
(**) Term: **15 Years** 2014/0116166 A1 * 5/2014 Yamamoto F16H 25/2418
74/89.4
2021/0252583 A1 * 8/2021 Champagne B21F 1/002

(21) Appl. No.: **29/754,945**
(22) Filed: **Oct. 15, 2020**

(30) **Foreign Application Priority Data**
Apr. 16, 2020 (EM) 007809983-0001
Apr. 16, 2020 (EM) 007809983-0002
Apr. 16, 2020 (EM) 007809983-0003
Apr. 16, 2020 (EM) 007809983-0004
Apr. 16, 2020 (EM) 007809983-0005
Apr. 16, 2020 (EM) 007809983-0006
Apr. 16, 2020 (EM) 007809983-0007
Apr. 16, 2020 (EM) 007809983-0008

(51) **LOC (13) Cl.** **15-01**
(52) **U.S. Cl.**
USPC **D15/1**
(58) **Field of Classification Search**
USPC D15/5, 7, 9, 143, 4, 199, 1, 2, 3;
D13/112, 118, 122
CPC H02K 41/02; H02K 5/132; H02K 2207/03;
H02K 5/148
See application file for complete search history.

(56) **References Cited**
U.S. PATENT DOCUMENTS
4,439,698 A * 3/1984 Chen H02K 41/02
310/12.13
D289,852 S * 5/1987 Tuvesson D8/396

FOREIGN PATENT DOCUMENTS

EP 2838170 * 3/2016 H02G 3/04
* cited by examiner

Primary Examiner — Ania Aman
(74) *Attorney, Agent, or Firm* — Clark Hill PLC; James R. Foley

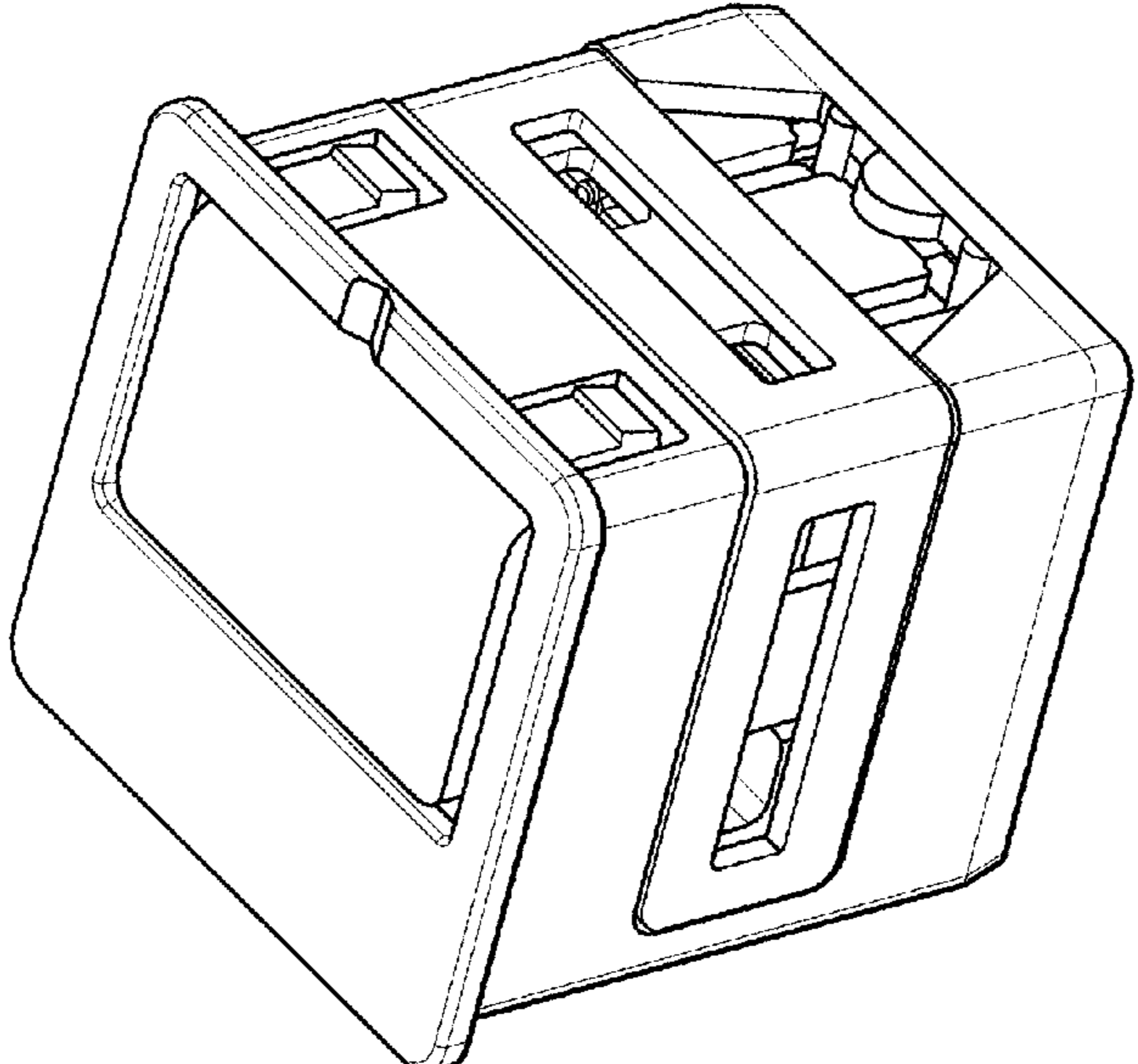
(57) **CLAIM**

The ornamental design of a suspension engine, as shown and described.

DESCRIPTION

FIG. 1 is a back view of the suspension engine;
FIG. 2 is a bottom view thereof;
FIG. 3 is a front view thereof;
FIG. 4 is a left side view thereof;
FIG. 5 is a perspective view thereof;
FIG. 6 is right side view thereof; and,
FIG. 7 is a top view thereof.
In the drawings, the broken lines depict unclaimed subject matter only and form no part of the claimed design.

1 Claim, 7 Drawing Sheets



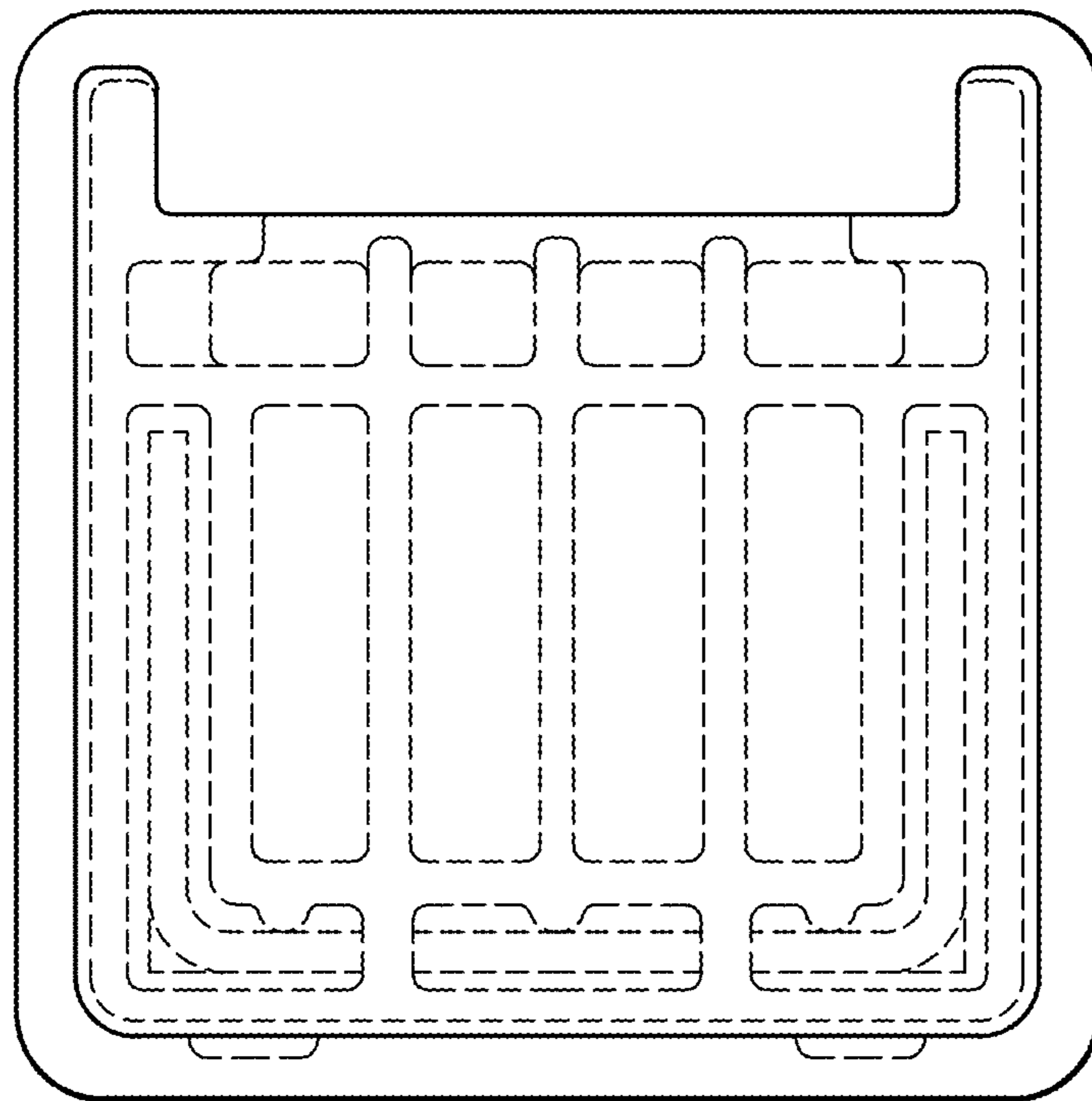


FIG. 1

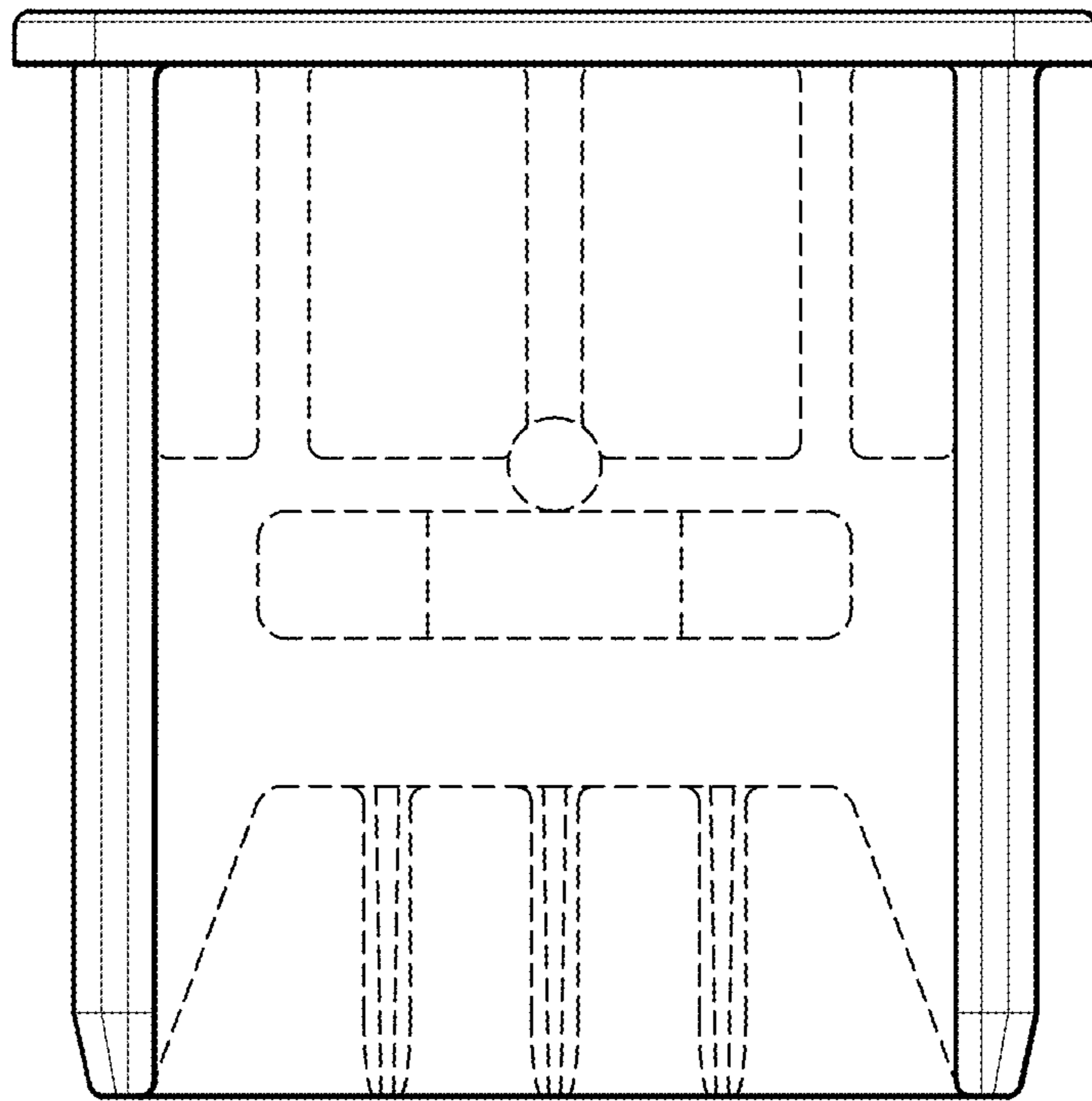


FIG. 2

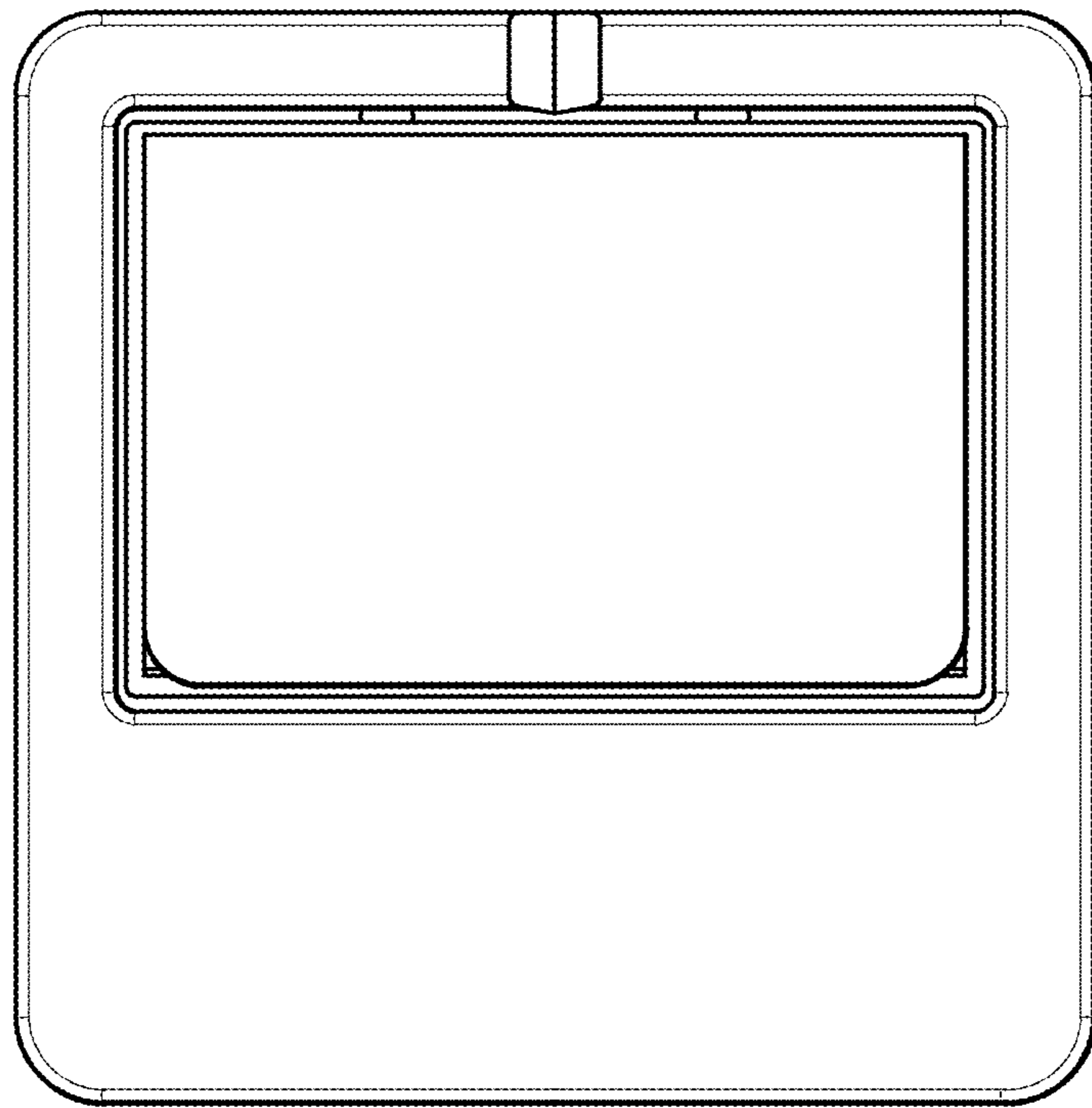


FIG. 3

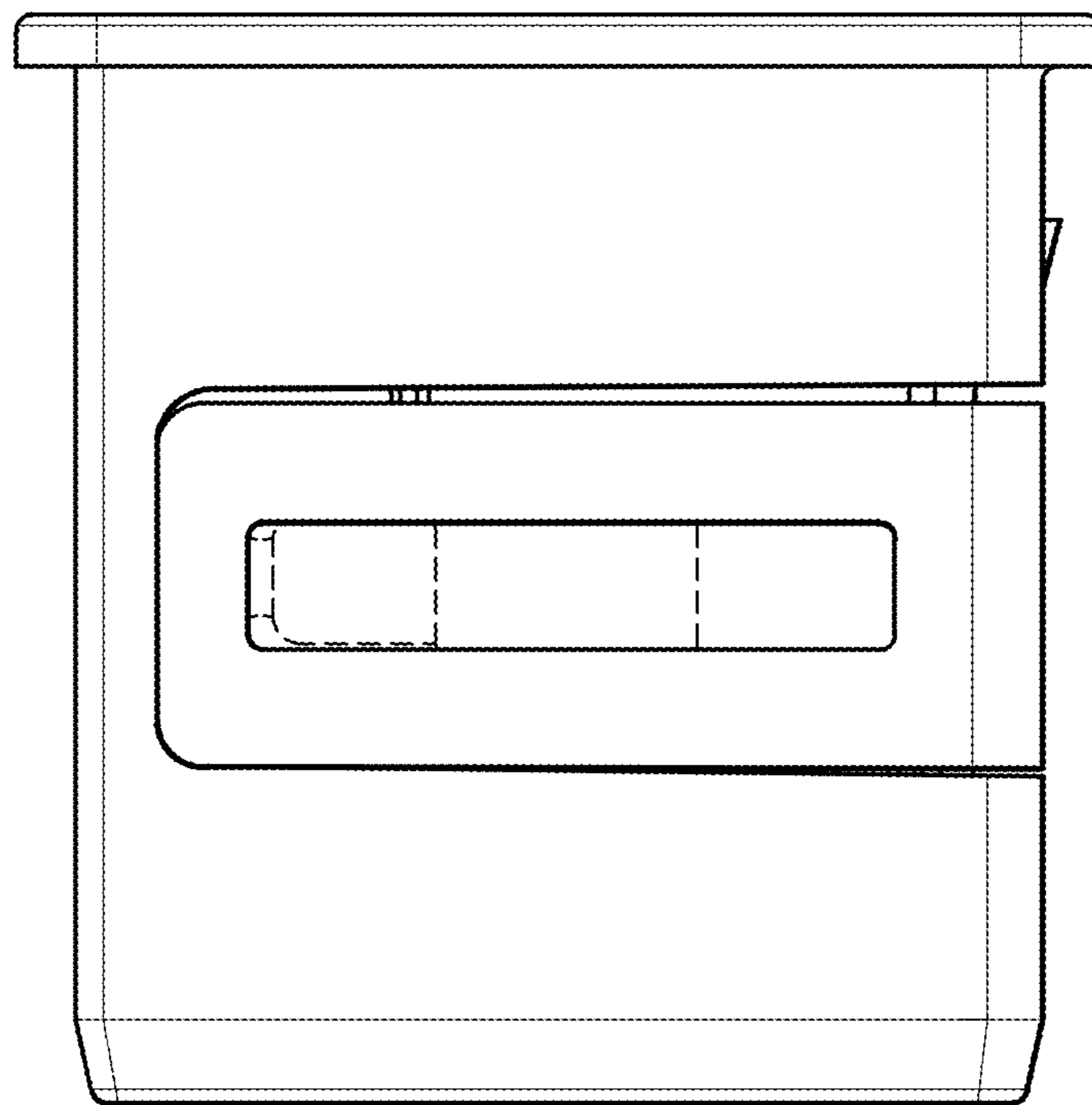


FIG. 4

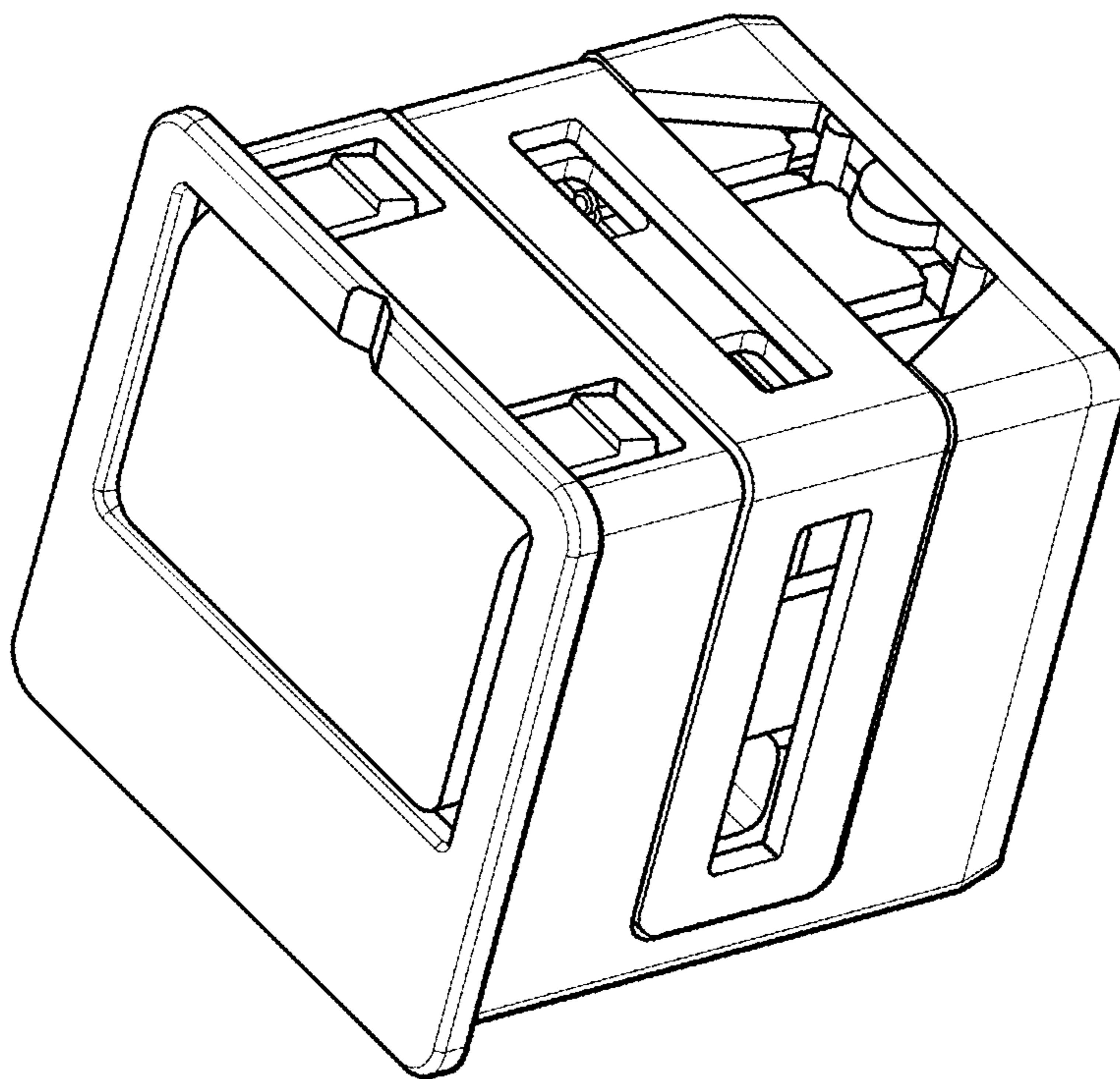


FIG. 5

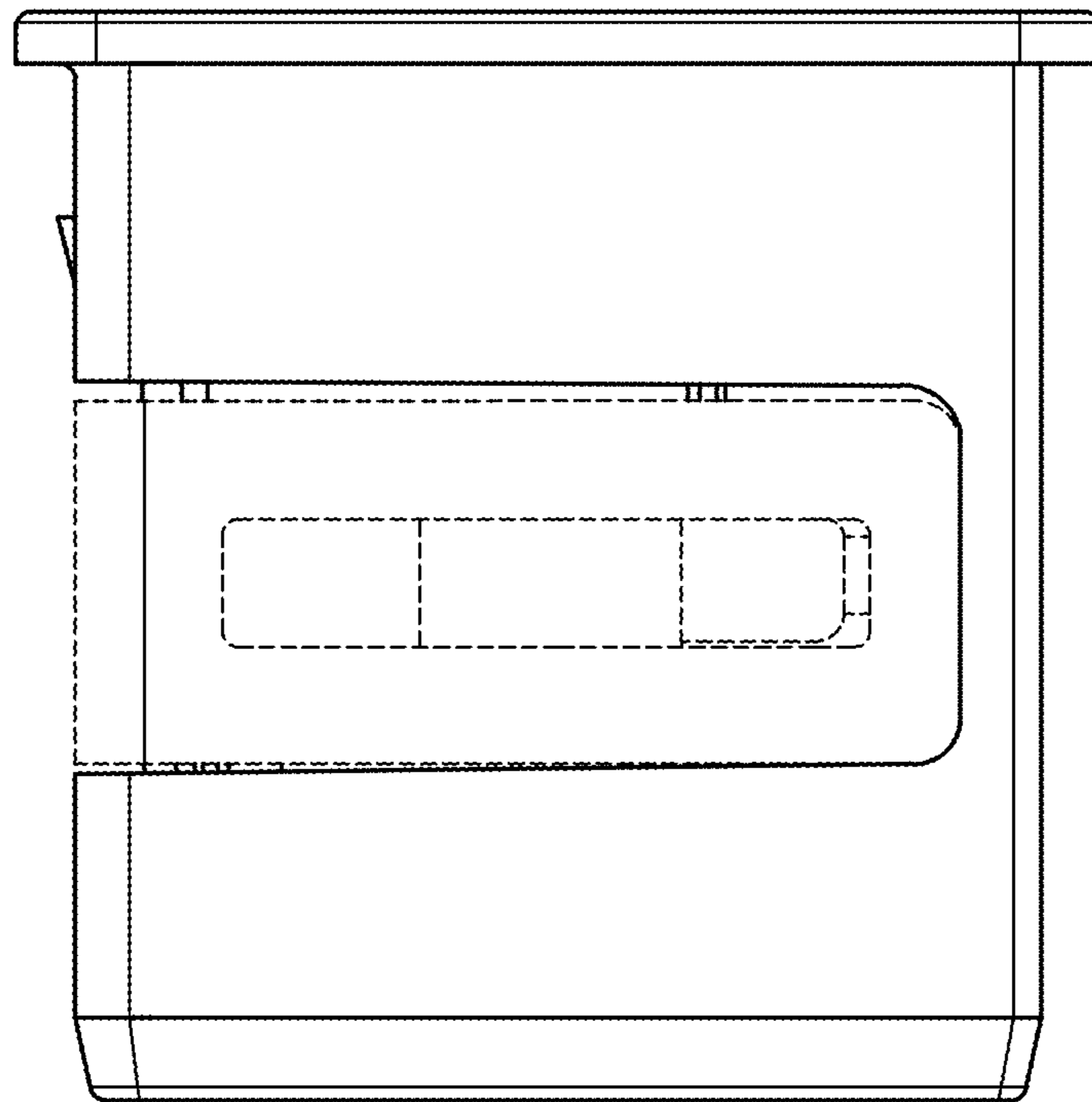


FIG. 6

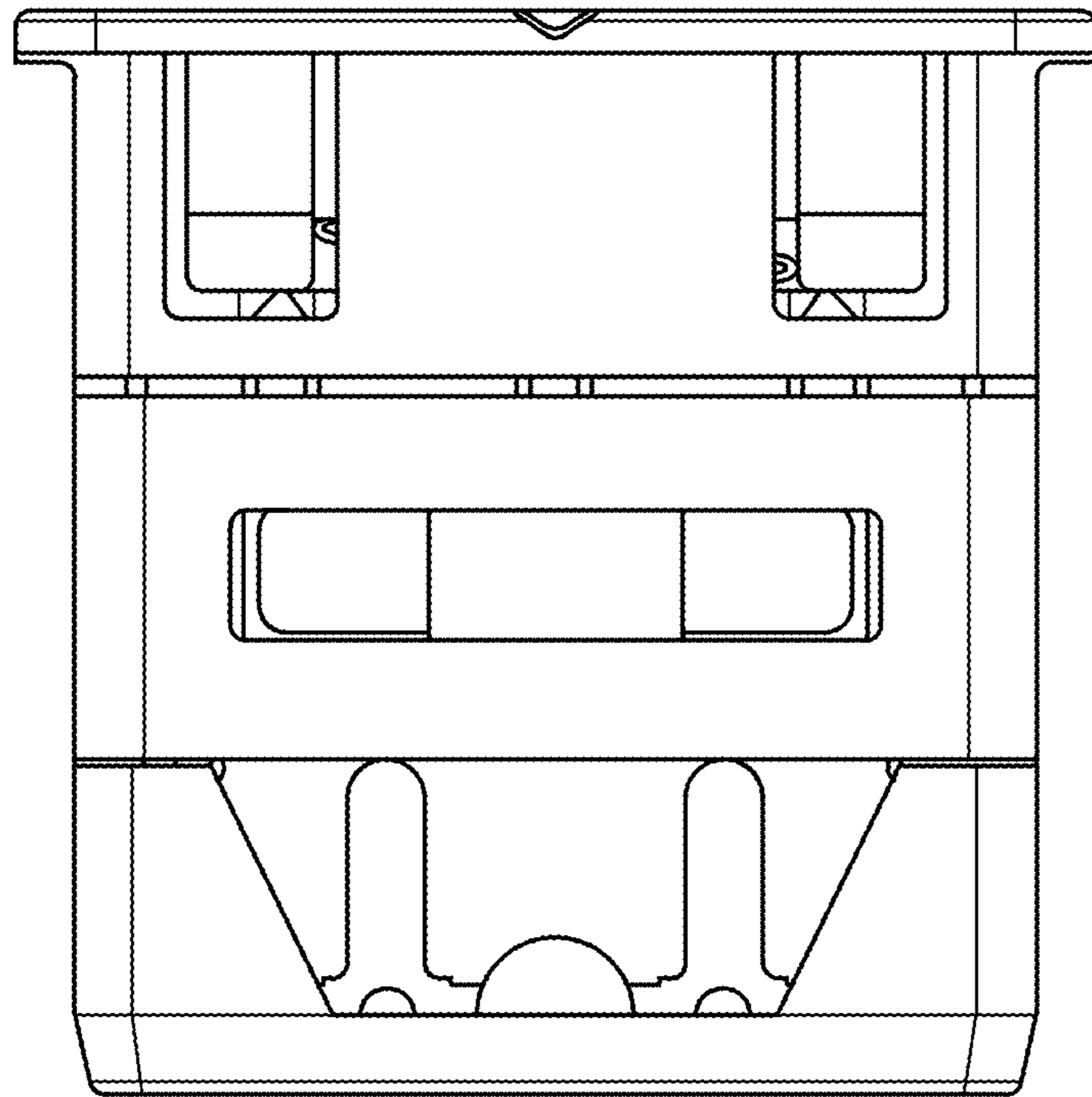


FIG. 7