



US00D969136S

(12) **United States Design Patent** (10) **Patent No.:** **US D969,136 S**
Jin (45) **Date of Patent:** **** Nov. 8, 2022**

(54) **TV STAND**

(71) Applicant: **NINGBO TIANDE XINYI TRADING CO., LTD.**, Ningbo (CN)

(72) Inventor: **Wenwu Jin**, Guangdong (CN)

(73) Assignee: **NINGBO TIANDE XINYI TRADING CO., LTD.**, Ningbo (CN)

(**) Term: **15 Years**

(21) Appl. No.: **29/753,005**

(22) Filed: **Sep. 29, 2020**

(51) **LOC (13) Cl.** **14-02**

(52) **U.S. Cl.**
USPC **D14/451**

(58) **Field of Classification Search**
USPC D14/371-382, 125-129, 336, 337, D14/447-452, 492, 335, 376-382, 239, D14/457, 439-441, 432, 251-253; D8/349, 354, 363, 373, 376, 380; D21/333; D12/415; D3/218; 348/180, 348/184, 325, 739, 825

CPC G06F 3/0412; G06F 3/016; G06F 3/0488; G06F 3/011; G06F 3/038; G06F 3/03543; G06F 3/0338; G06F 3/0202; G06F 3/0219; G06F 3/0213; G06F 1/1616; G06F 3/023; G06F 3/04883; G02F 1/13338; G02F 1/1313; G02F 1/1333; G02F 1/135; G02F 1/132; G02F 1/133308; G02F 1/134309; G02F 1/13718; G09G 3/3648; G06K 15/1252; B41J 2/465; G03F 7/70291; G02B 27/0172; G02B 5/30; G02B 2027/0118; G02B 27/0101; F16M 13/02; F16M 13/00; F16M 11/10; F16M 11/04; F16M 2200/08; F16M 11/2021; A47B 21/0314; A47B 88/044; A47B 2021/0335; H02G 3/126; F16B 47/00; F16B 47/006; A47G 1/17; A47K 2201/00

See application file for complete search history.

(56) **References Cited**

U.S. PATENT DOCUMENTS

D563,399 S *	3/2008	Wohlford	D14/239
D568,326 S *	5/2008	Muday	D14/452
D568,888 S *	5/2008	Eyman	D14/451
D576,633 S *	9/2008	Muday	D14/452
D872,067 S *	1/2020	Knapp	D14/126
D872,719 S *	1/2020	Knapp	D14/126
D895,632 S *	9/2020	Knapp	D14/452
D920,340 S *	5/2021	Shu	D14/452
D921,645 S *	6/2021	Shu	D14/452
D931,293 S *	9/2021	Jin	D14/452
D931,865 S *	9/2021	Meyer	D14/451
D933,459 S *	10/2021	Lyu	D14/239
D944,235 S *	2/2022	Shu	D14/239

* cited by examiner

Primary Examiner — Katie Jane Stofko

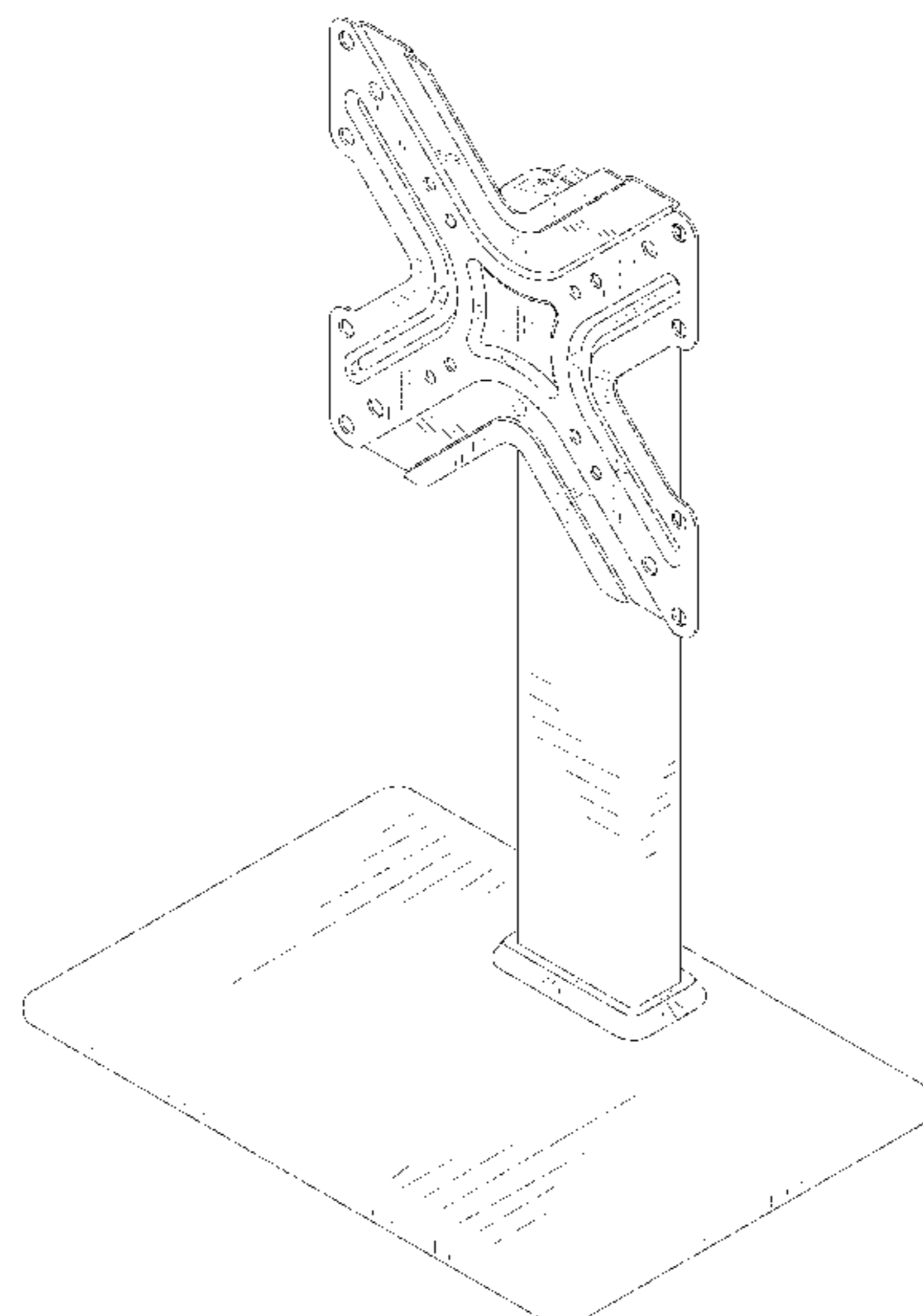
(57) **CLAIM**

The ornamental design for a TV stand, as shown and described.

DESCRIPTION

FIG. 1 is a front, top and right side perspective view of a TV stand, showing my new design;
FIG. 2 is another front, top and right side perspective view thereof shown in an environment of use;
FIG. 3 is a front elevation view thereof;
FIG. 4 is a back elevation view thereof;
FIG. 5 is a left side view thereof;
FIG. 6 is a right side view thereof;
FIG. 7 is a top plan view thereof; and,
FIG. 8 is a bottom plan view thereof.
The broken lines shown in FIG. 2 showing four connecting components depict environment and form no part of the claimed design. The remaining broken lines shown in the drawings depict portions of the TV stand and form no part of the claimed design.

1 Claim, 8 Drawing Sheets



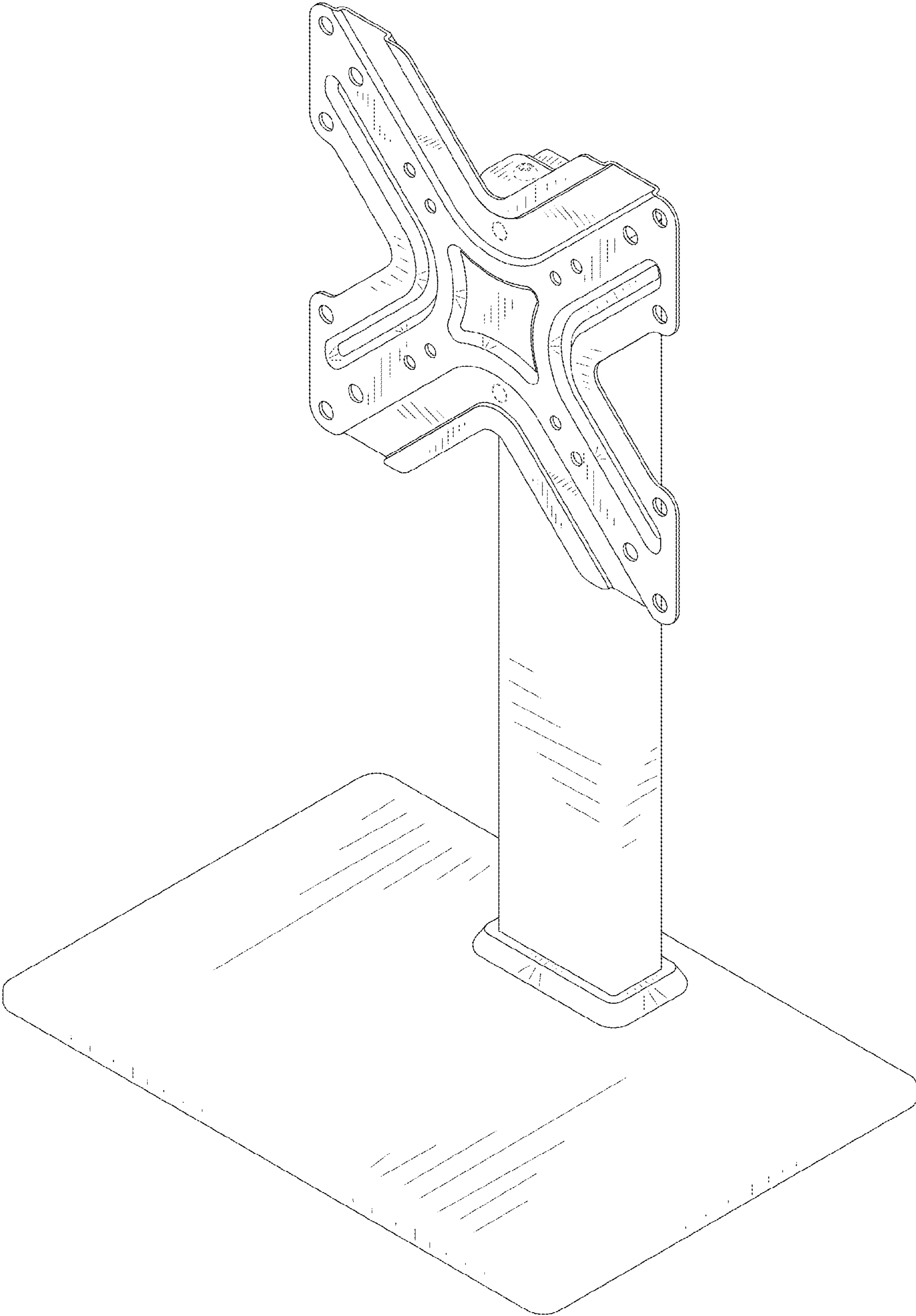


FIG. 1

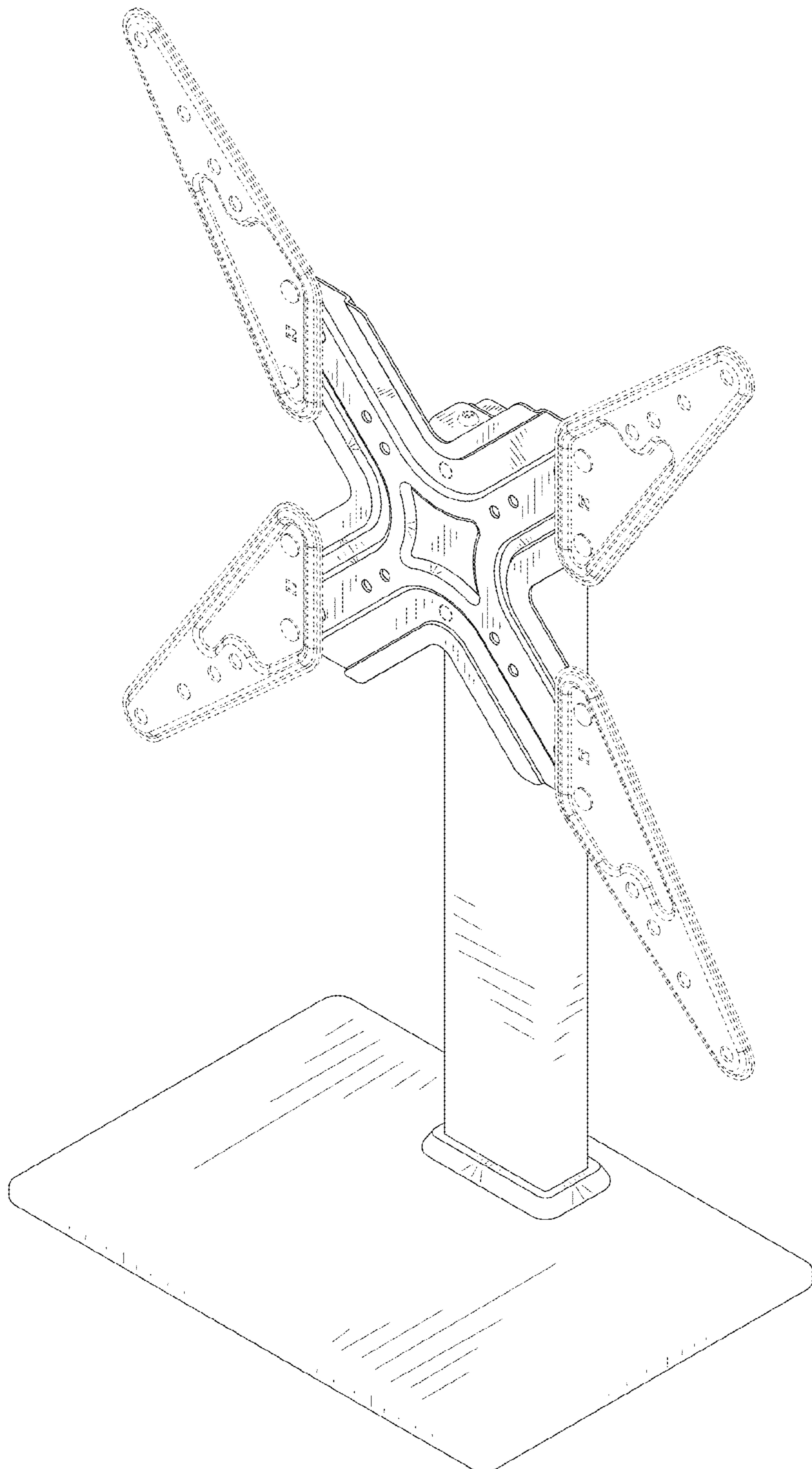


FIG. 2

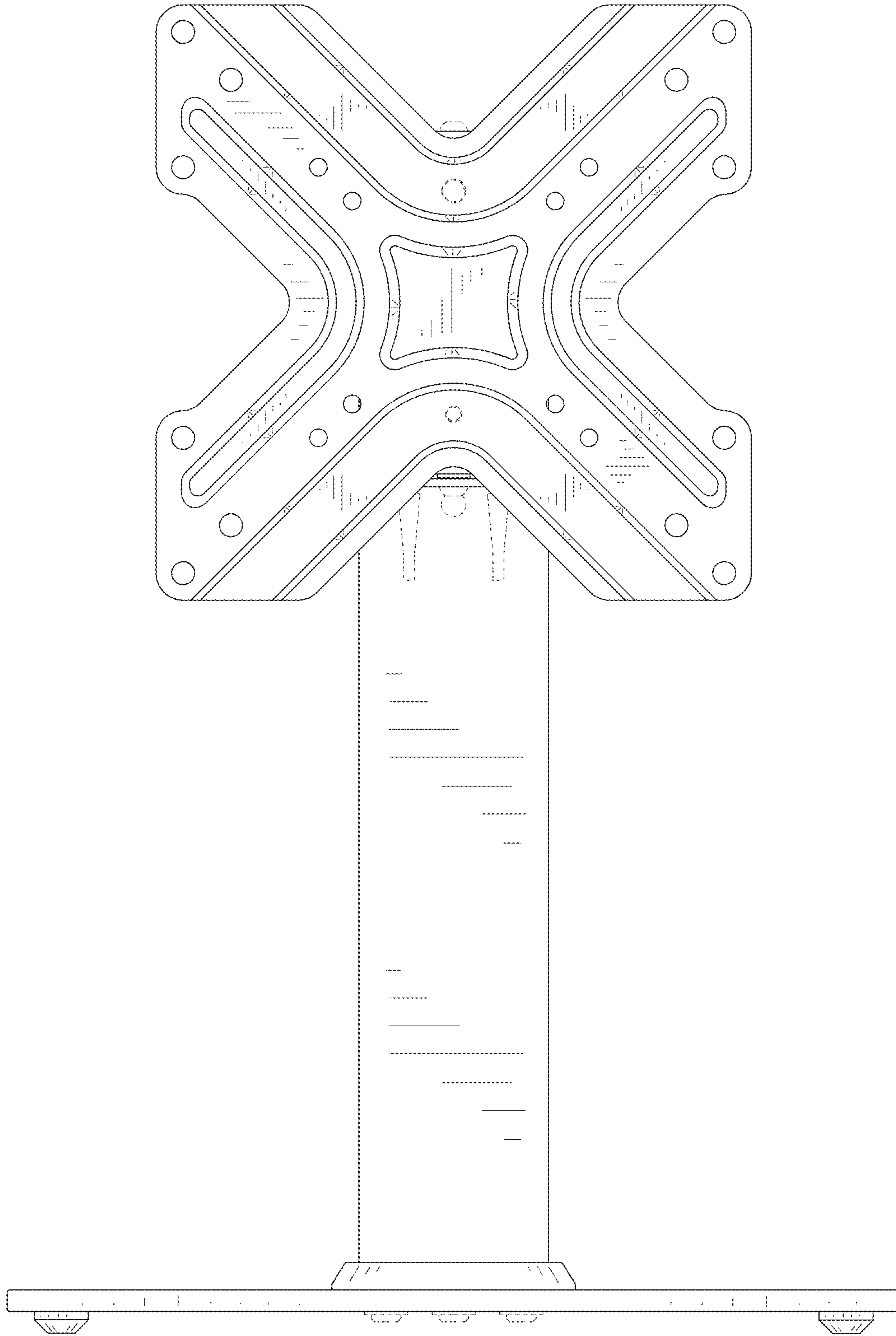


FIG. 3

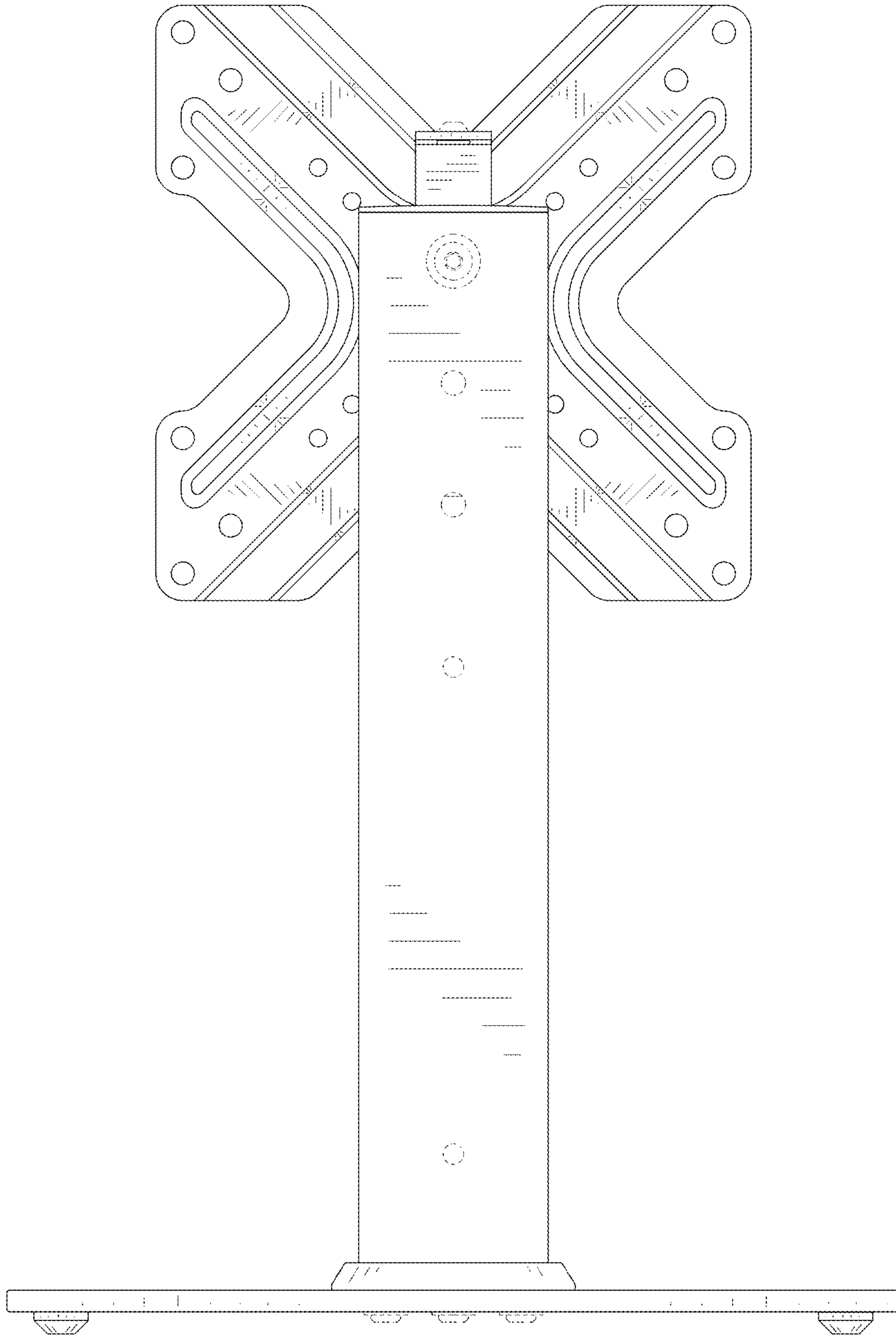


FIG. 4

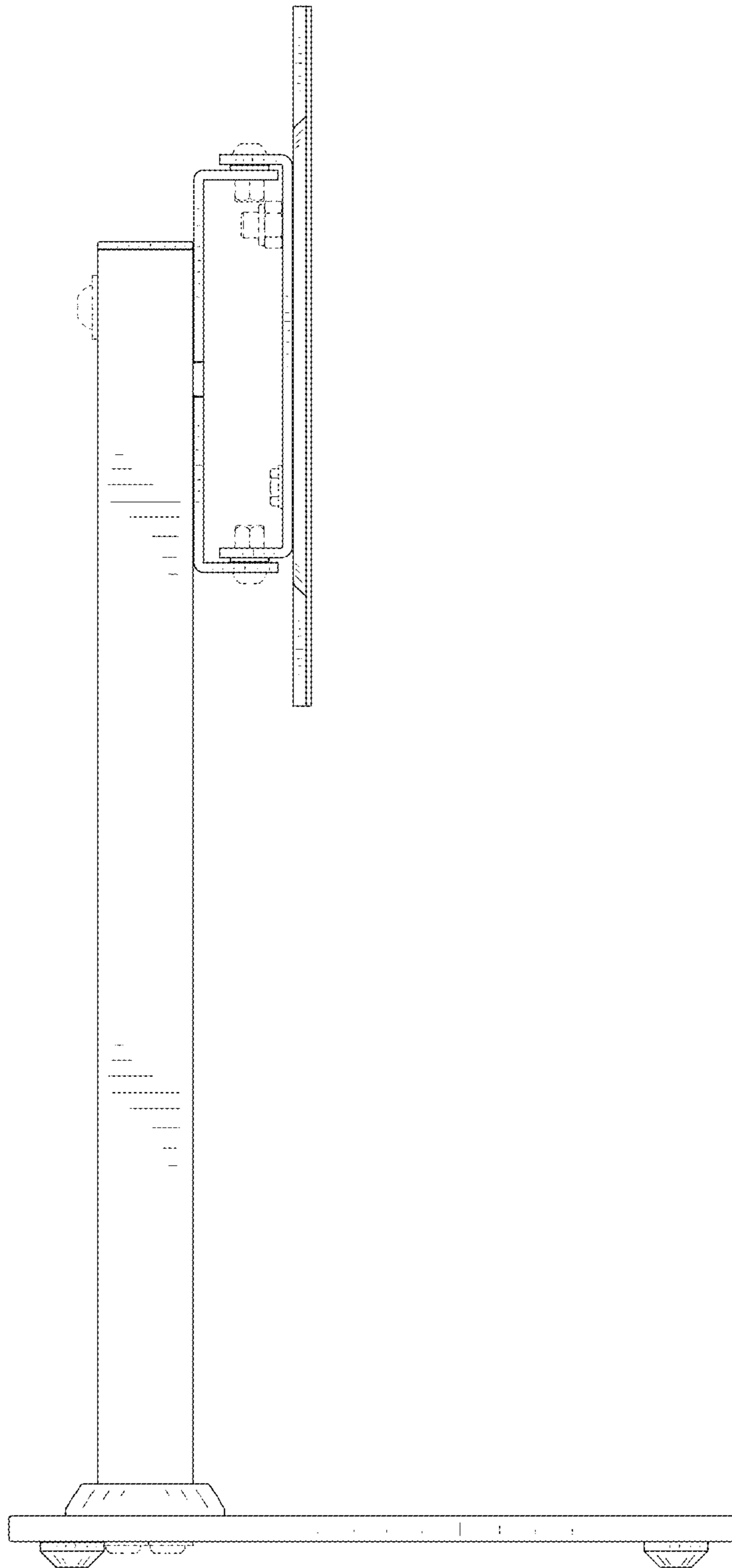


FIG. 5

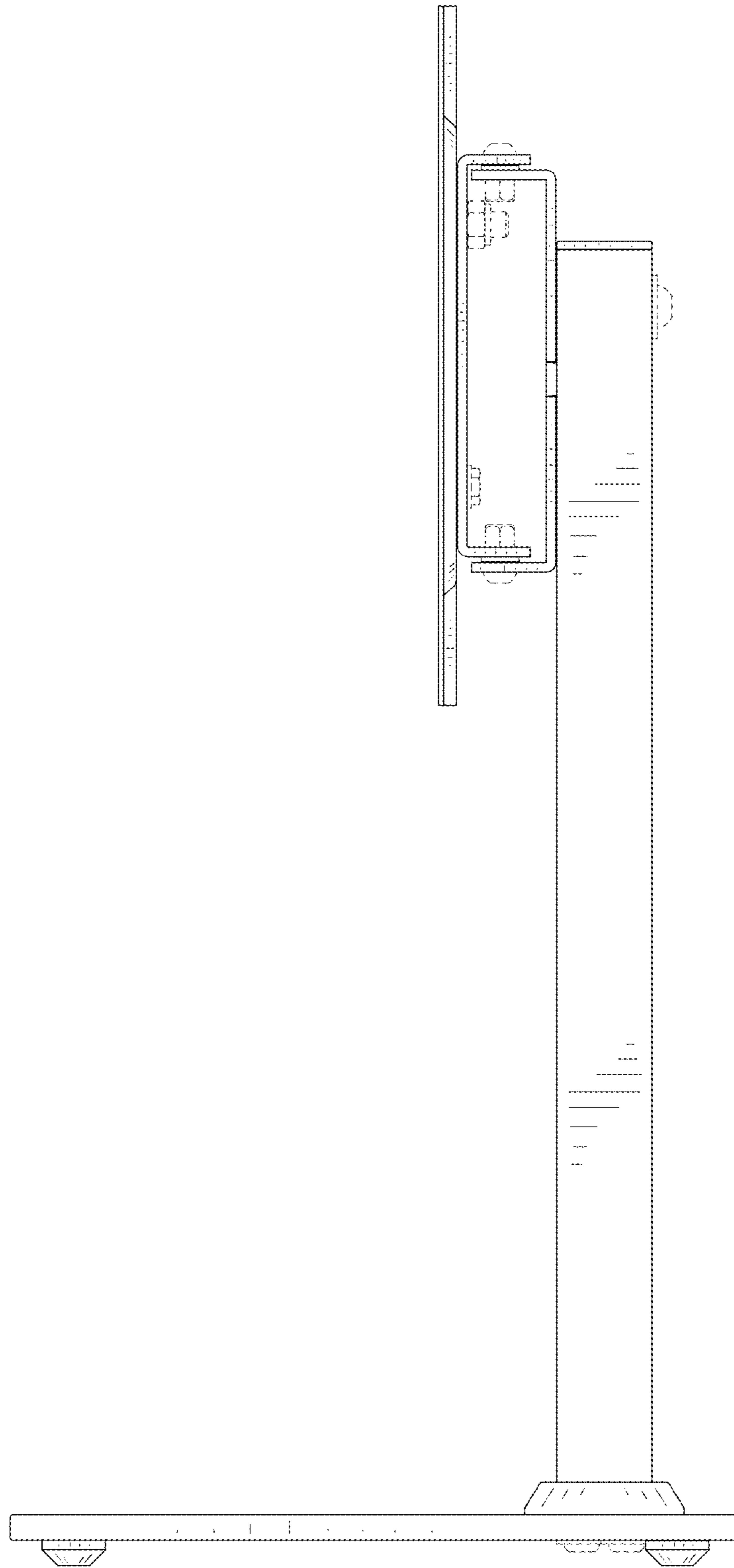


FIG. 6

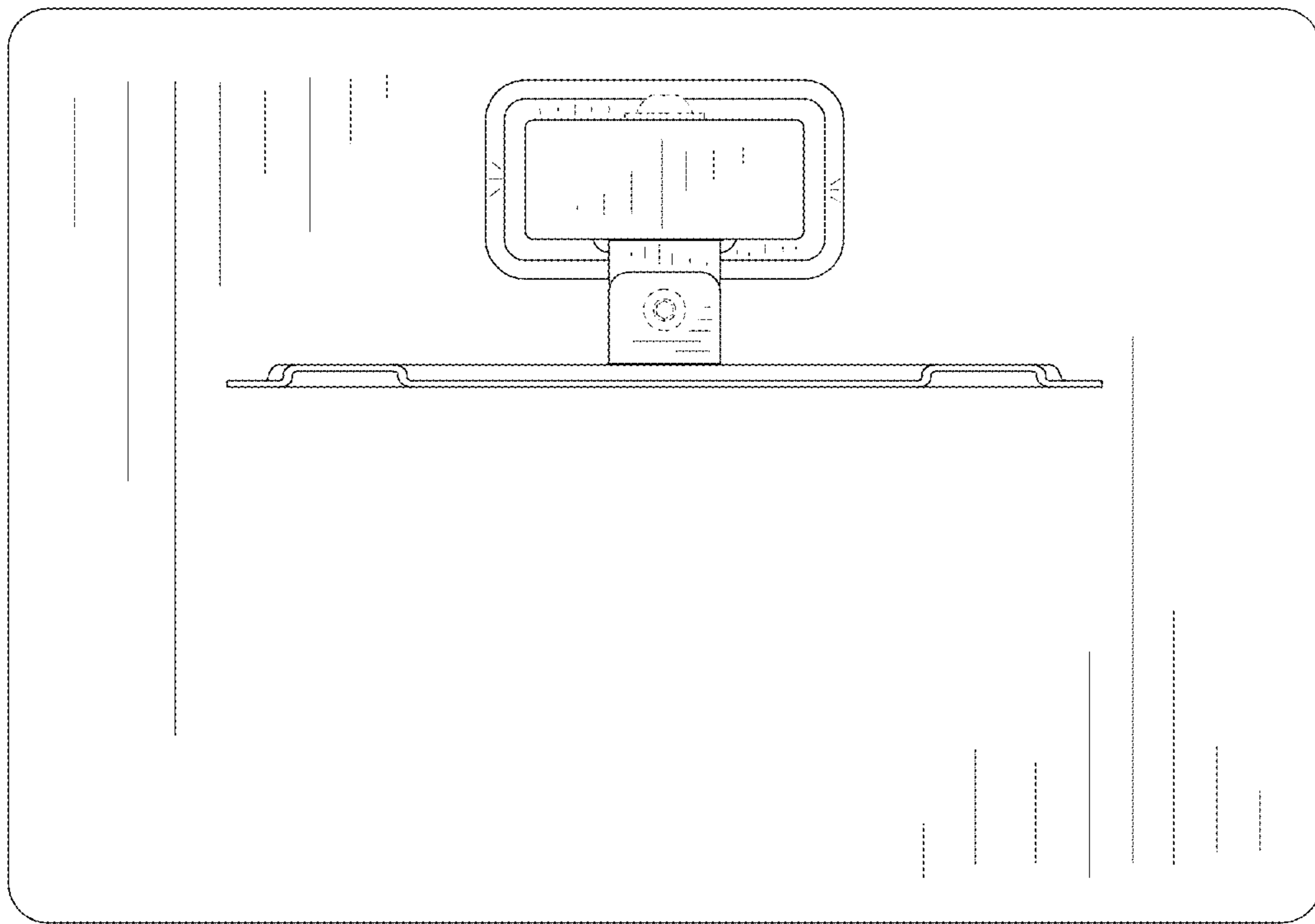


FIG. 7

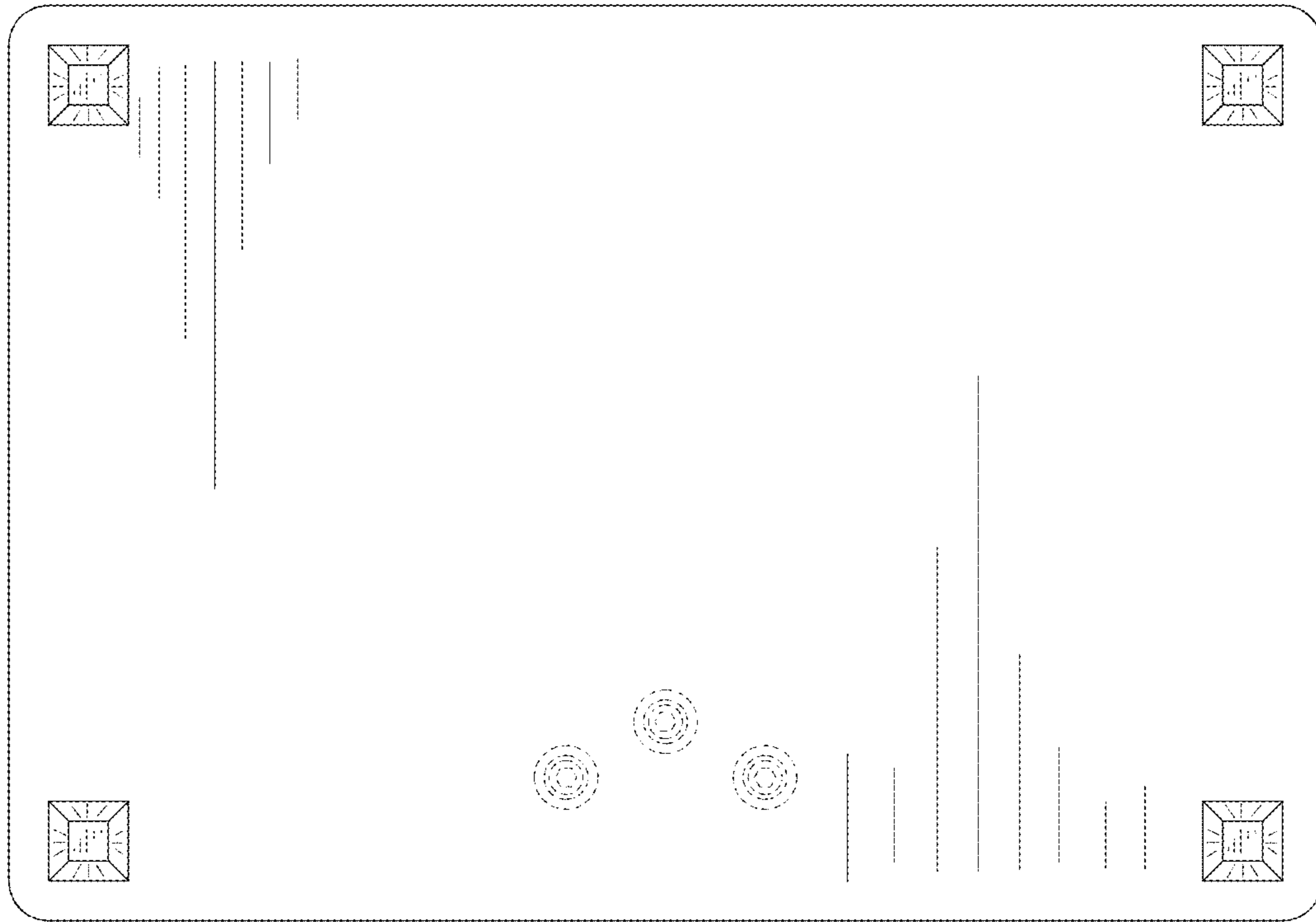


FIG. 8