



US00D969135S

(12) **United States Design Patent** (10) **Patent No.:** **US D969,135 S**  
**Lee** (45) **Date of Patent:** **\*\* Nov. 8, 2022**

(54) **STAND FOR ELECTRONIC DEVICE**  
(71) Applicant: **ELAGO CO. LTD**, Goyang-si (KR)  
(72) Inventor: **Chanwoo Lee**, Goyang-si (KR)  
(73) Assignee: **elago CO. LTD**, Goyang-si (KR)  
(\*\*) Term: **15 Years**  
(21) Appl. No.: **29/836,503**  
(22) Filed: **Apr. 27, 2022**  
(51) **LOC (13) Cl.** ..... **14-02**  
(52) **U.S. Cl.**  
USPC ..... **D14/447**  
(58) **Field of Classification Search**  
USPC ..... D14/440, 447, 250; 361/679.55;  
206/45.23, 320, 45.2; 294/25; 455/575.8  
CPC ... G06F 1/1628; G06F 1/1626; A47B 23/044;  
A45C 11/00  
See application file for complete search history.

D709,509 S \* 7/2014 Kim ..... D14/440  
D742,890 S \* 11/2015 Mecchella ..... D14/440  
D766,247 S \* 9/2016 Burmester ..... D14/440  
D781,372 S \* 3/2017 Floersch ..... D18/12  
(Continued)

**FOREIGN PATENT DOCUMENTS**

CN 304853026 10/2018  
CN 304864642 10/2018  
(Continued)

*Primary Examiner* — Cynthia R Underwood  
(74) *Attorney, Agent, or Firm* — Paratas Law Group, PLLC

(57) **CLAIM**

The ornamental design for a stand for electronic device, as shown and described.

**DESCRIPTION**

FIG. 1 is a front, top, and left-side perspective view of a stand for electronic device, showing my new design;  
FIG. 2 is a front view thereof;  
FIG. 3 is a back view thereof;  
FIG. 4 is a left-side view thereof;  
FIG. 5 is a right-side view thereof;  
FIG. 6 is a top view thereof;  
FIG. 7 is a bottom view thereof;  
FIG. 8 is a rear, top, and right-side perspective view thereof;  
FIG. 9 is a rear, bottom, and right-side perspective view thereof; and,  
FIG. 10 is a front, top, and left-side perspective view thereof in use.

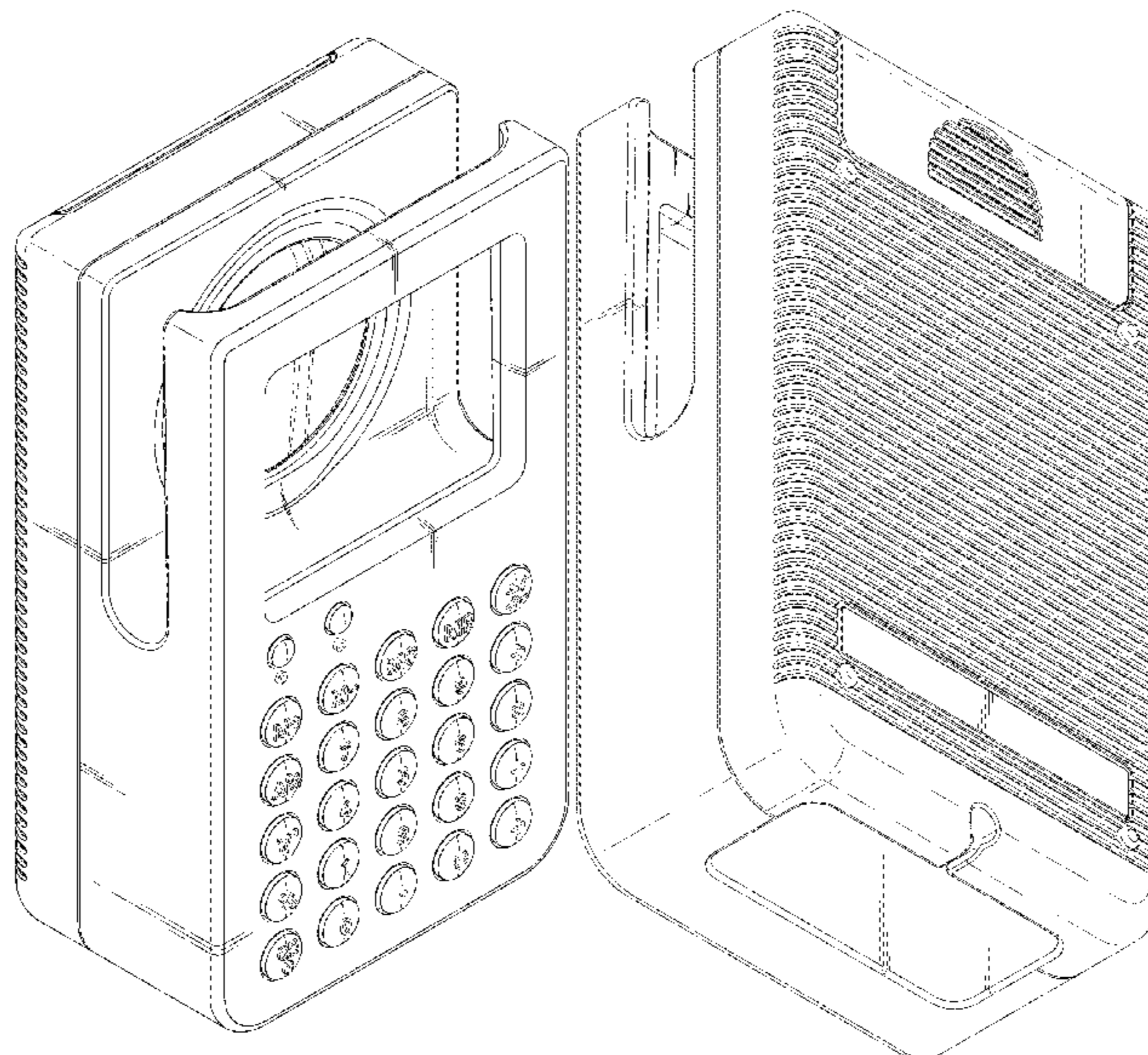
The broken lines shown in FIGS. 1-10 depict portions of the stand for electronic device and form no part of the claimed design. The broken lines representing a smart watch shown in FIG. 10 depict environment and form no part of the claimed design.

**1 Claim, 8 Drawing Sheets**

(56) **References Cited**

**U.S. PATENT DOCUMENTS**

D247,522 S 3/1978 Woithe  
D269,624 S 7/1983 Sakata  
4,703,161 A 10/1987 McLean  
D306,456 S 3/1990 Chan  
D309,624 S 7/1990 Yubisui et al.  
D378,018 S \* 2/1997 Ouellette ..... D3/215  
D391,224 S \* 2/1998 Schumacher ..... D13/103  
D429,067 S \* 8/2000 Kleinsmith ..... D3/249  
D429,068 S \* 8/2000 Kleinsmith ..... D3/249  
D438,238 S 2/2001 Chu et al.  
D542,524 S \* 5/2007 Richardson ..... D3/273  
D604,648 S \* 11/2009 McCorkindale ..... D10/99  
D615,078 S \* 5/2010 Bradley ..... D14/250  
D639,301 S \* 6/2011 Anderson ..... D14/434  
D651,791 S \* 1/2012 Cataldo ..... D3/218  
D676,448 S \* 2/2013 Gorman ..... D14/440  
D685,189 S \* 7/2013 Adelman ..... D3/247  
D693,815 S \* 11/2013 Son ..... D14/434



(56)

References Cited

U.S. PATENT DOCUMENTS

D798,302 S \* 9/2017 Burmester ..... D14/440  
 D800,732 S \* 10/2017 Dang ..... D14/440  
 9,793,745 B2 \* 10/2017 Barnard ..... H02J 7/0044  
 D806,785 S \* 1/2018 Nakamura ..... D18/7  
 D812,065 S \* 3/2018 Shim ..... D14/440  
 D819,563 S 6/2018 Wei  
 10,178,923 B2 \* 1/2019 Rosenblum ..... A47F 7/02  
 D842,605 S \* 3/2019 Bo ..... D3/247  
 D847,805 S \* 5/2019 Lederer ..... D14/250  
 D851,652 S 6/2019 Lee et al.  
 D855,058 S \* 7/2019 Cebe ..... D14/440  
 D857,625 S 8/2019 Cao  
 D866,564 S \* 11/2019 Lee ..... D14/447  
 D873,833 S \* 1/2020 Leimer ..... D14/440  
 D885,758 S \* 6/2020 Adelman ..... D20/27  
 D889,959 S \* 7/2020 Burke ..... D9/432  
 D892,613 S \* 8/2020 Burke ..... D9/432

D898,818 S 10/2020 Miyahara et al.  
 D910,639 S \* 2/2021 Han ..... D14/440  
 D919,629 S \* 5/2021 Liu ..... D14/440  
 D920,317 S \* 5/2021 Akana ..... D14/250  
 D921,624 S \* 6/2021 Li ..... D14/342  
 D942,979 S \* 2/2022 Jung ..... D14/440  
 D944,256 S \* 2/2022 Cheng ..... D14/440  
 D956,767 S \* 7/2022 Shortt ..... D14/447  
 2015/0338635 A1 \* 11/2015 Gantz ..... G09G 3/20  
 345/32  
 2016/0315496 A1 \* 10/2016 Barnard ..... H02J 7/0044  
 2017/0093200 A1 \* 3/2017 Green ..... H02J 7/0044

FOREIGN PATENT DOCUMENTS

CN 304919103 11/2018  
 CN 305439925 11/2019  
 CN 305594881 2/2020  
 GB 2007792 11/1990

\* cited by examiner



FIG. 1

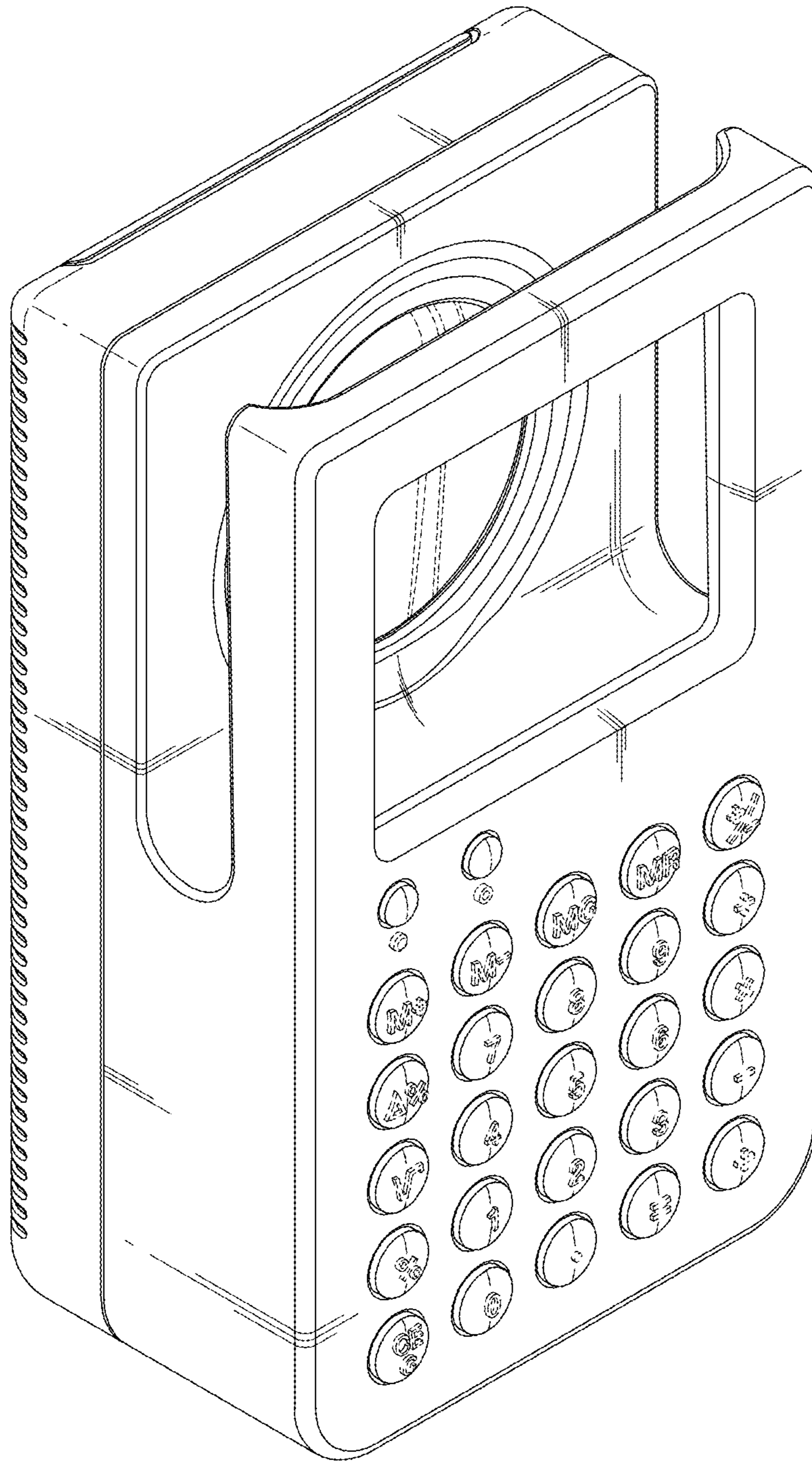


FIG. 2

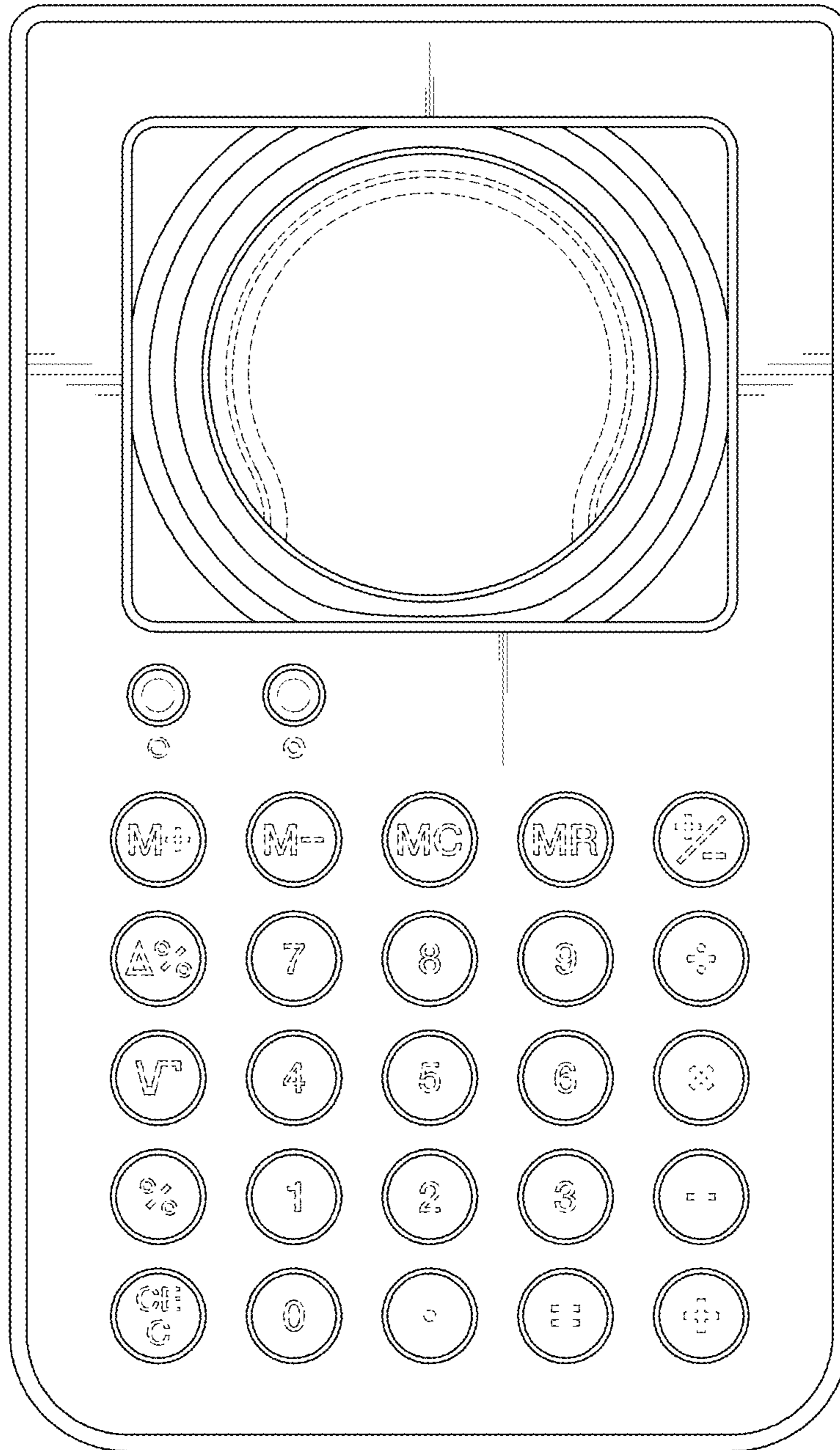


FIG. 3

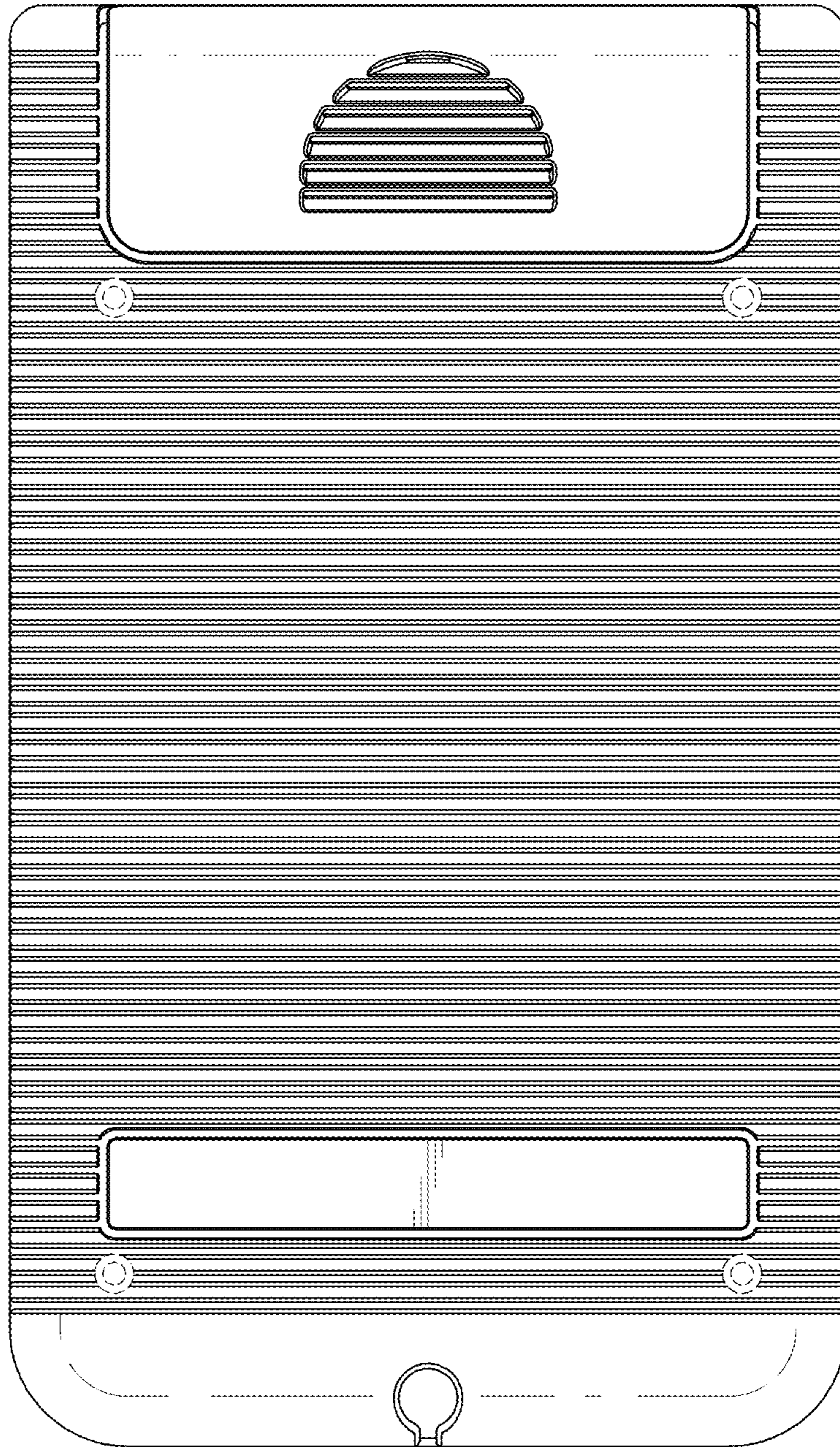


FIG. 4

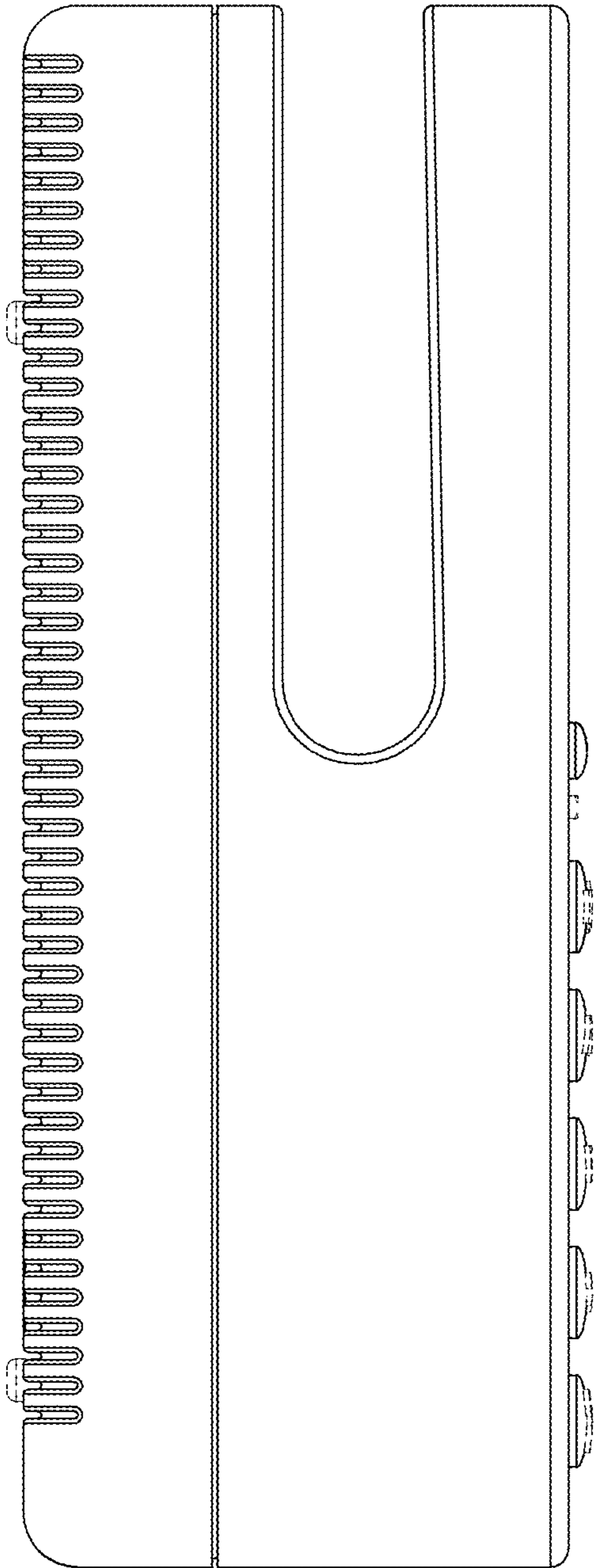


FIG. 5

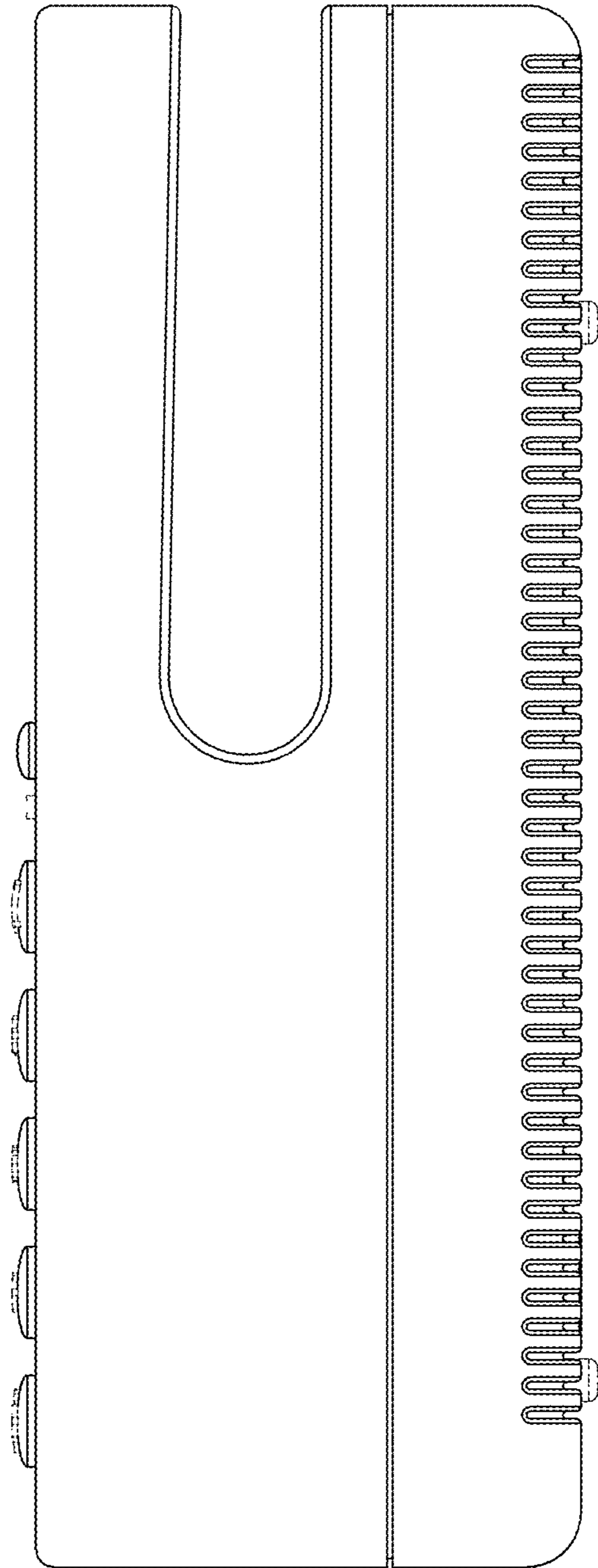




FIG. 6

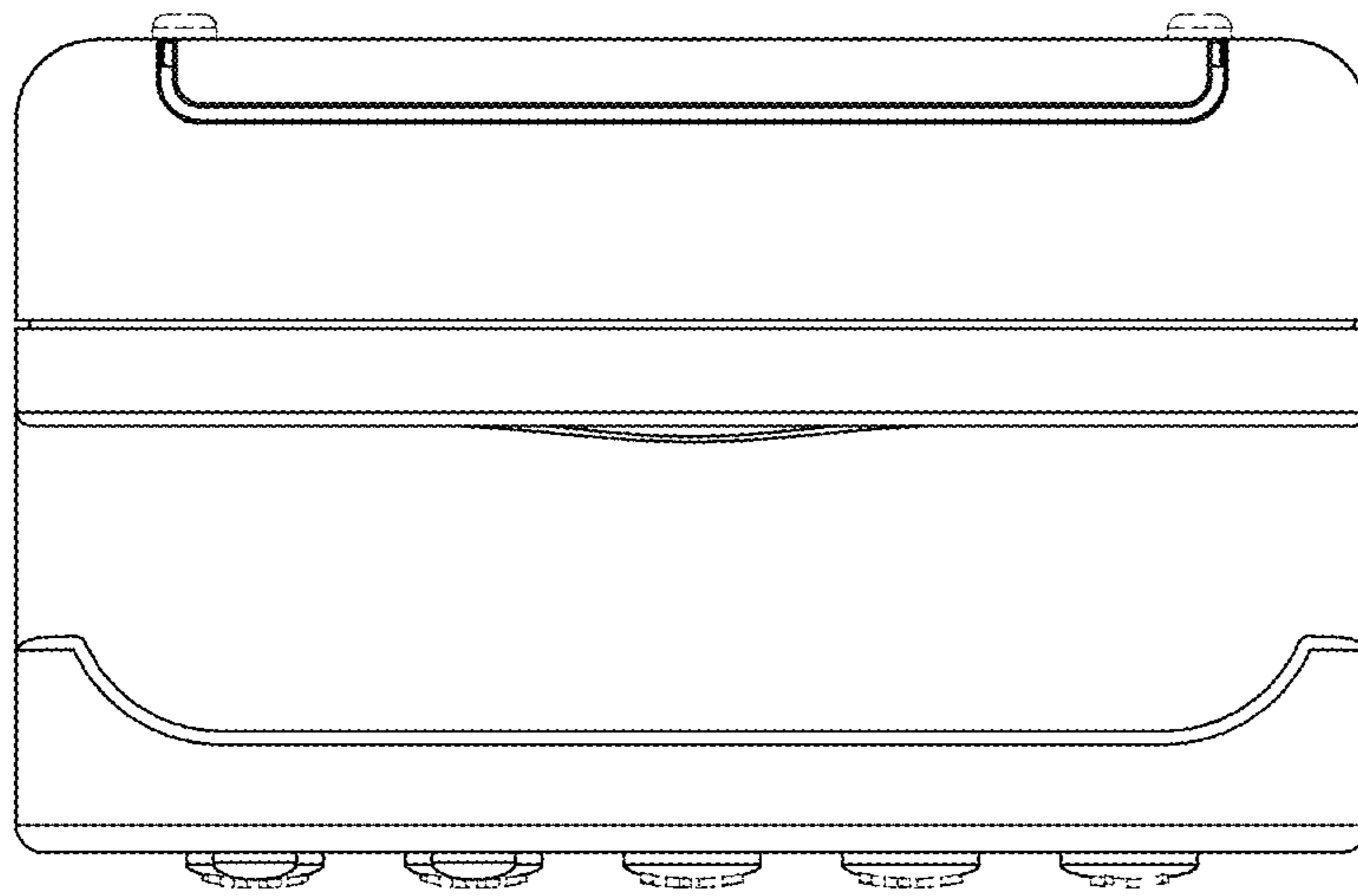


FIG. 7

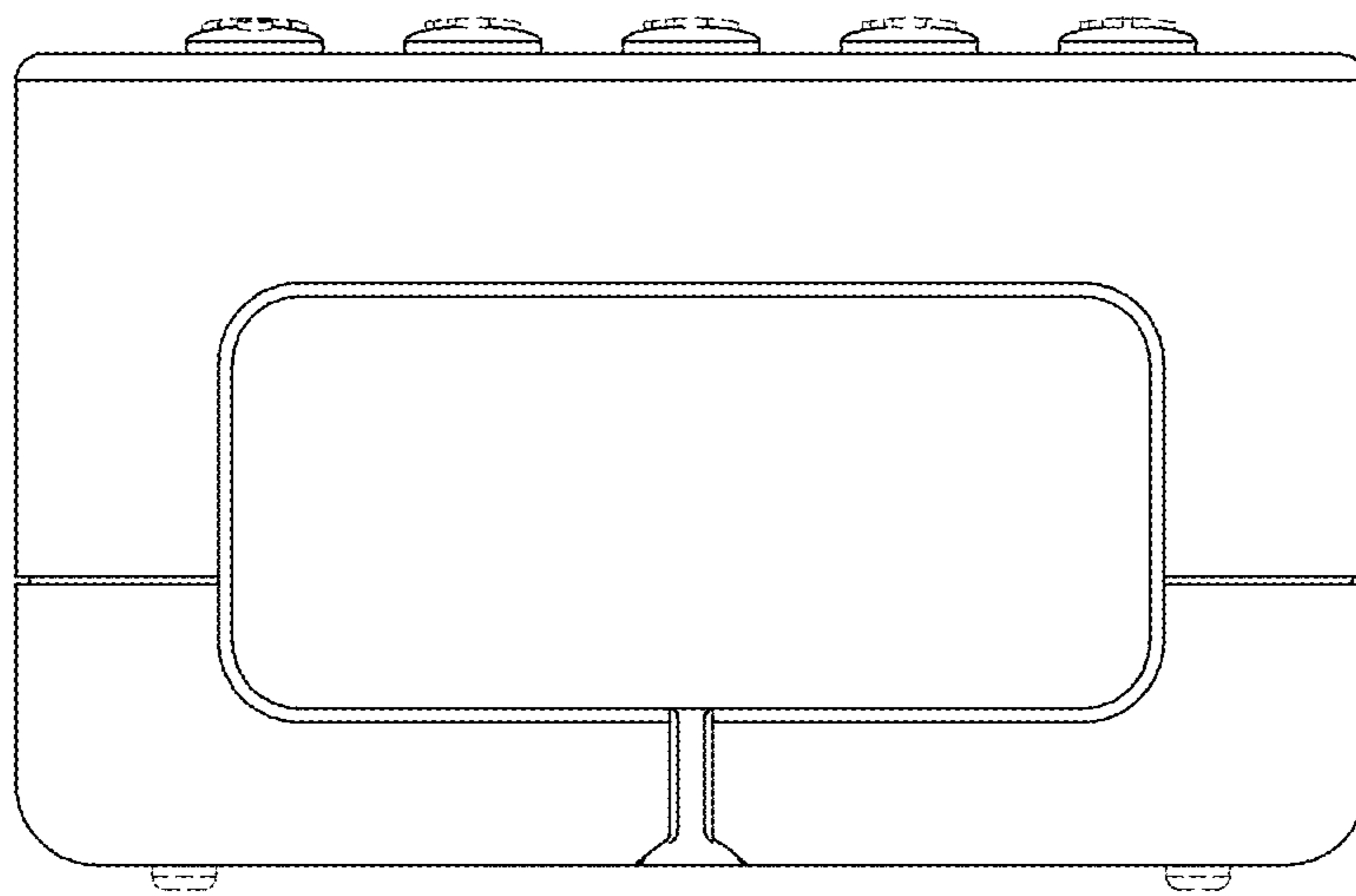


FIG. 8

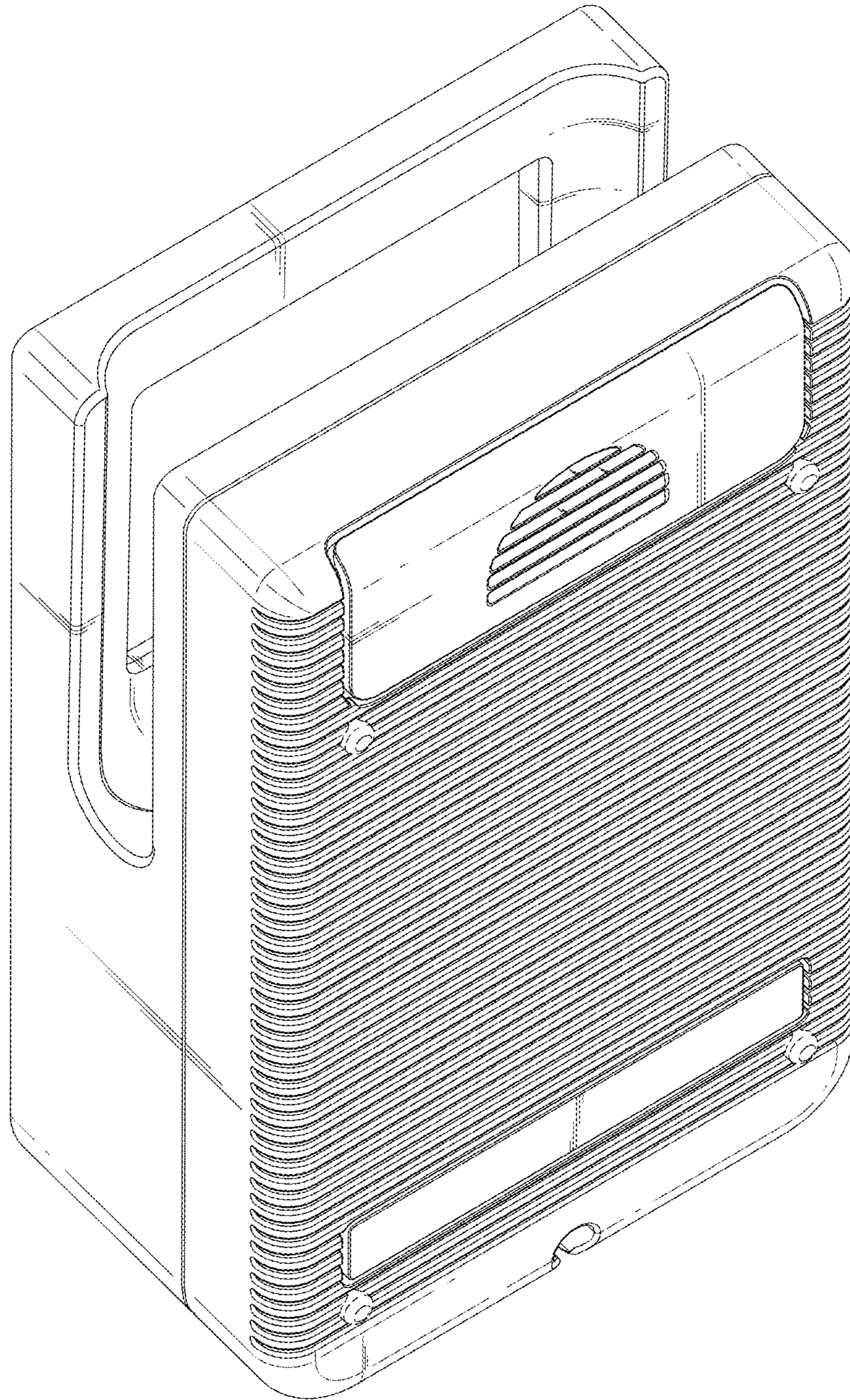




FIG. 9

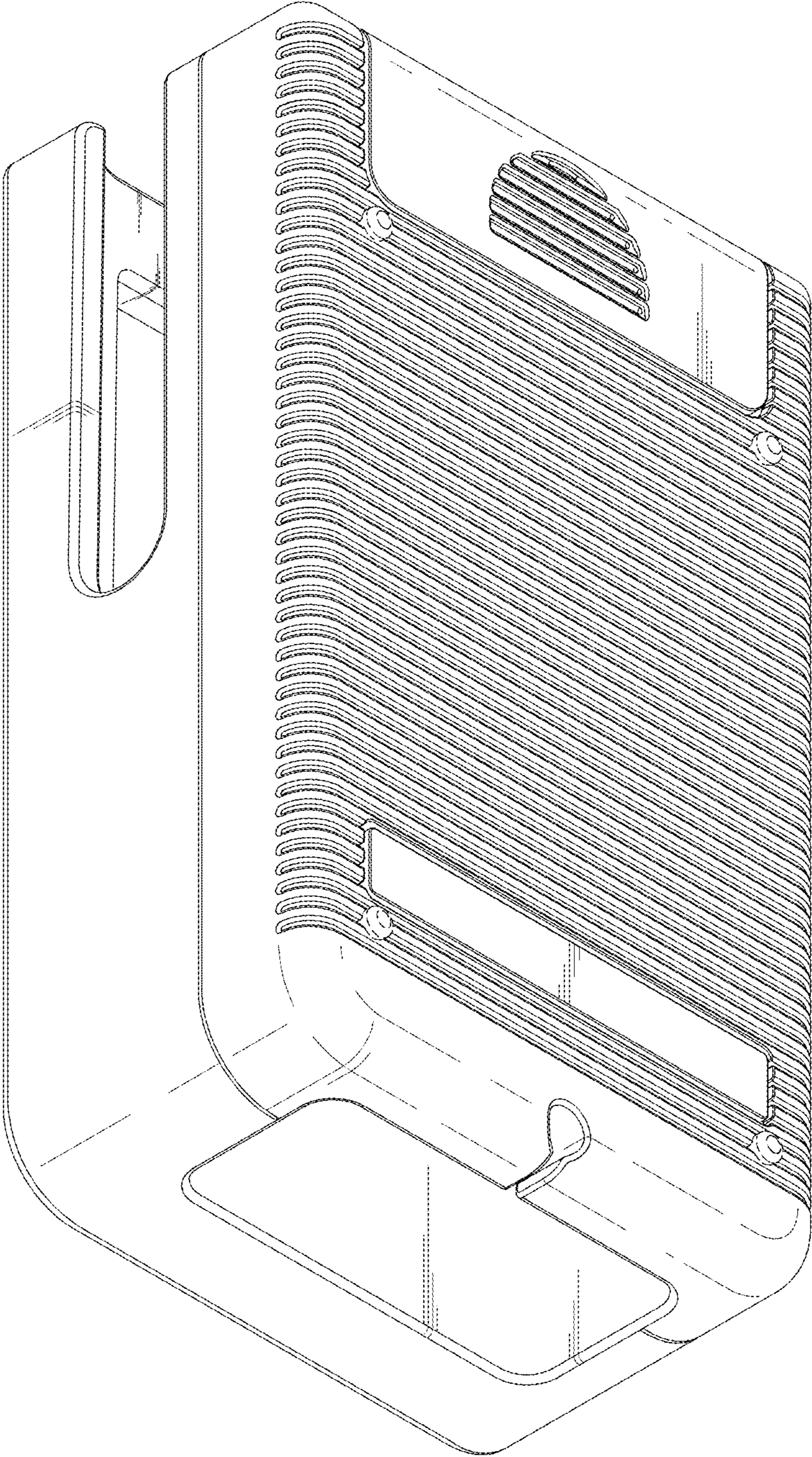




FIG. 10

