



US00D969133S

(12) **United States Design Patent** (10) **Patent No.:** **US D969,133 S**
Tsao (45) **Date of Patent:** **** Nov. 8, 2022**

(54) **ACCESSORY FOR NOTEBOOK COMPUTER**

(71) Applicant: **Acer Incorporated**, New Taipei (TW)

(72) Inventor: **Jung-Wei Tsao**, New Taipei (TW)

(73) Assignee: **Acer Incorporated**, New Taipei (TW)

(**) Term: **15 Years**

(21) Appl. No.: **29/768,385**

(22) Filed: **Jan. 29, 2021**

(30) **Foreign Application Priority Data**

Dec. 1, 2020 (TW) 109306756

(51) **LOC (13) Cl.** **14-02**

(52) **U.S. Cl.**
USPC **D14/439; D32/55**

(58) **Field of Classification Search**
USPC D14/248, 250, 240, 230, 217, 138 G,
D14/138 AD, 341, 138 R, 496, 203.1,
D14/203.3, 203.5, 203.7, 432, 436-439;
D13/101, 118; D32/55, 57
CPC .. H01Q 1/245; H04M 1/0266; H04M 1/0202;
H04M 1/026
See application file for complete search history.

(56) **References Cited**

U.S. PATENT DOCUMENTS

D348,131 S * 6/1994 Bozzo D32/57
D418,646 S * 1/2000 Hampshire D32/57
D579,939 S * 11/2008 Skillman D14/315

D732,039 S * 6/2015 Ashcraft D14/439
D776,386 S * 1/2017 Green D32/55
D781,518 S * 3/2017 Green D32/55
D830,657 S * 10/2018 Green D32/55
D904,710 S * 12/2020 Gee, II D32/57
D914,313 S * 3/2021 Diefenbach D32/57
D923,275 S * 6/2021 Driscoll D32/57
D924,515 S * 7/2021 Levi D32/57
D928,163 S * 8/2021 Akana D14/439
D936,925 S * 11/2021 Driscoll D32/57
D939,508 S * 12/2021 Albertson D14/240

* cited by examiner

Primary Examiner — Austin Murphy
(74) *Attorney, Agent, or Firm* — JCIPRNET

(57) **CLAIM**

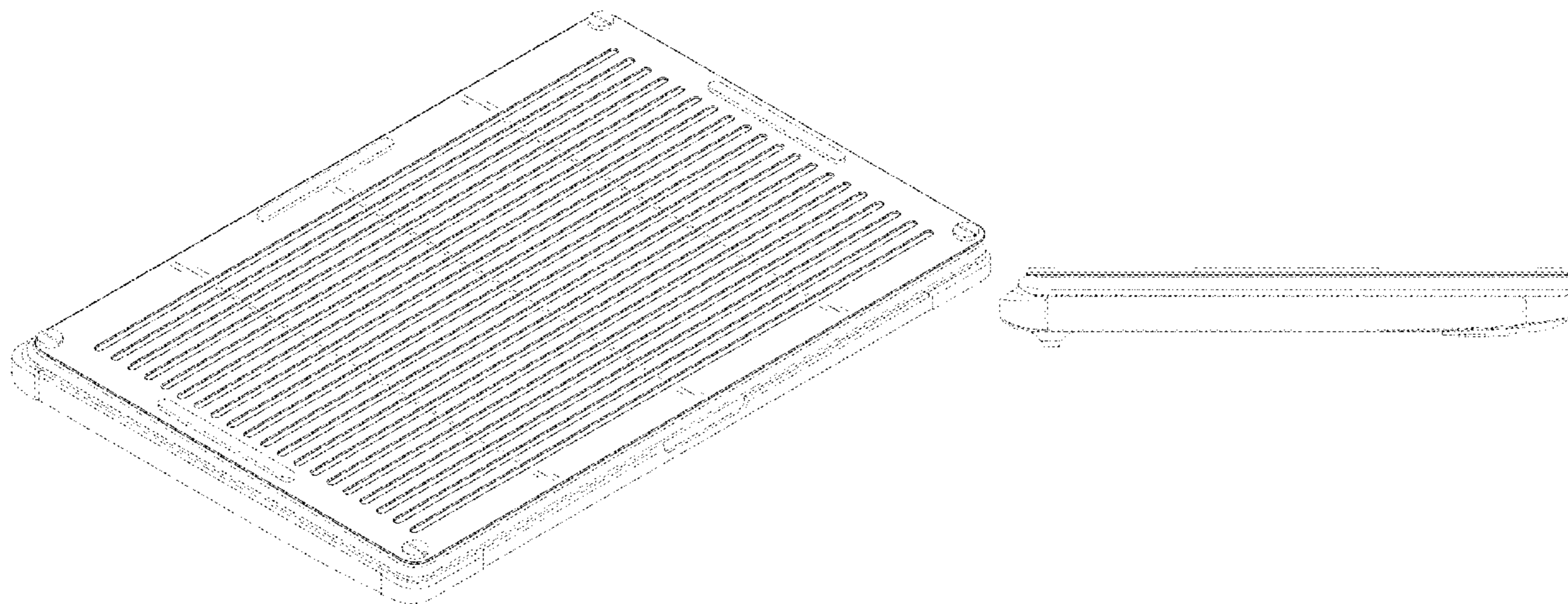
The ornamental design for an accessory for notebook computer, as shown and described.

DESCRIPTION

FIG. 1 is a perspective view of an accessory for notebook computer showing my new design;
FIG. 2 is another perspective view thereof;
FIG. 3 is a front view thereof;
FIG. 4 is a rear view thereof;
FIG. 5 is a left side view thereof;
FIG. 6 is a right side view thereof;
FIG. 7 is a top view thereof;
FIG. 8 is a bottom view thereof; and,
FIG. 9 is a reference view thereof showing a mouse put in the accessory.

The broken lines illustrate portions of the accessory for notebook computer that form no part of the claimed design.

1 Claim, 7 Drawing Sheets



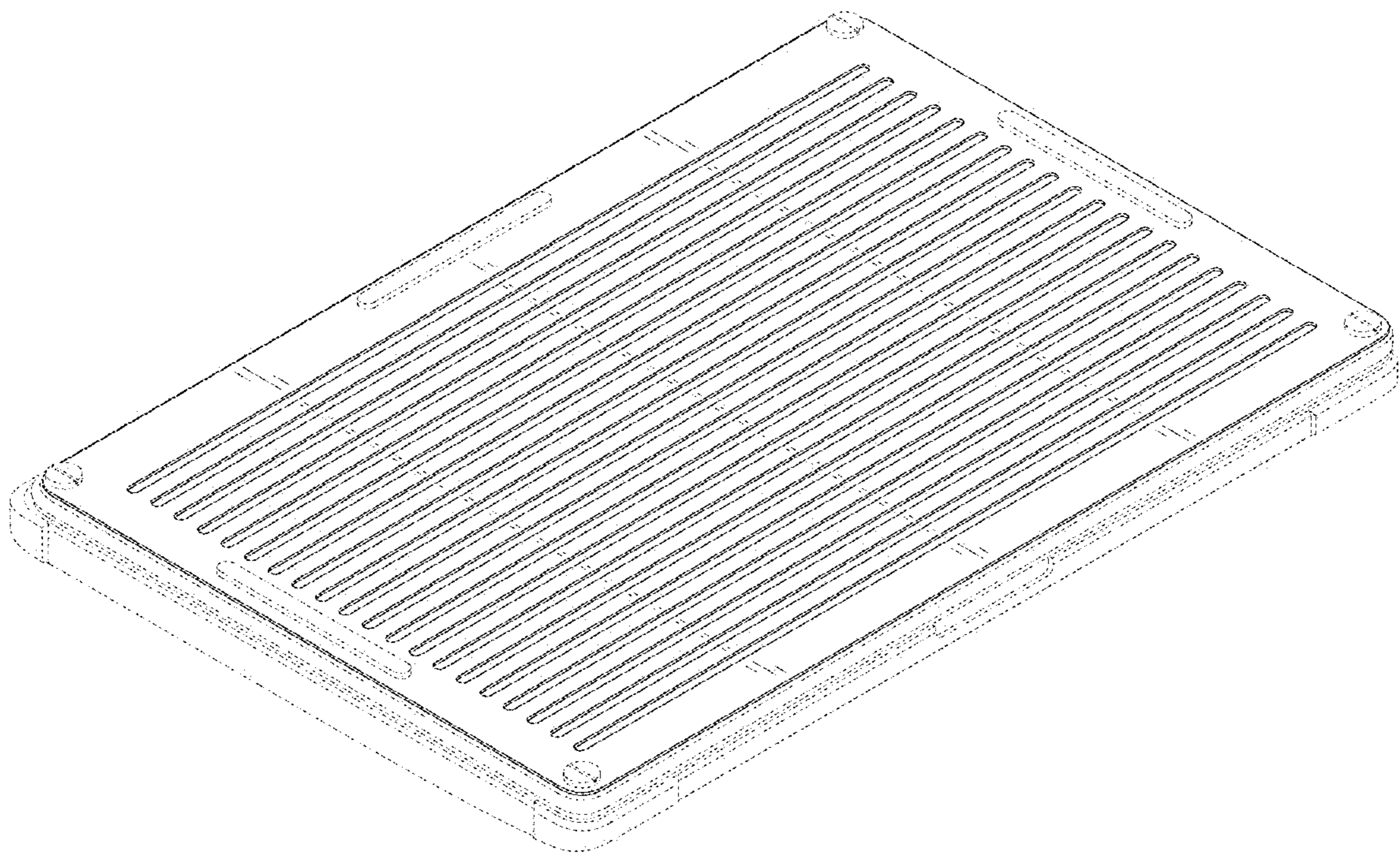


FIG. 1

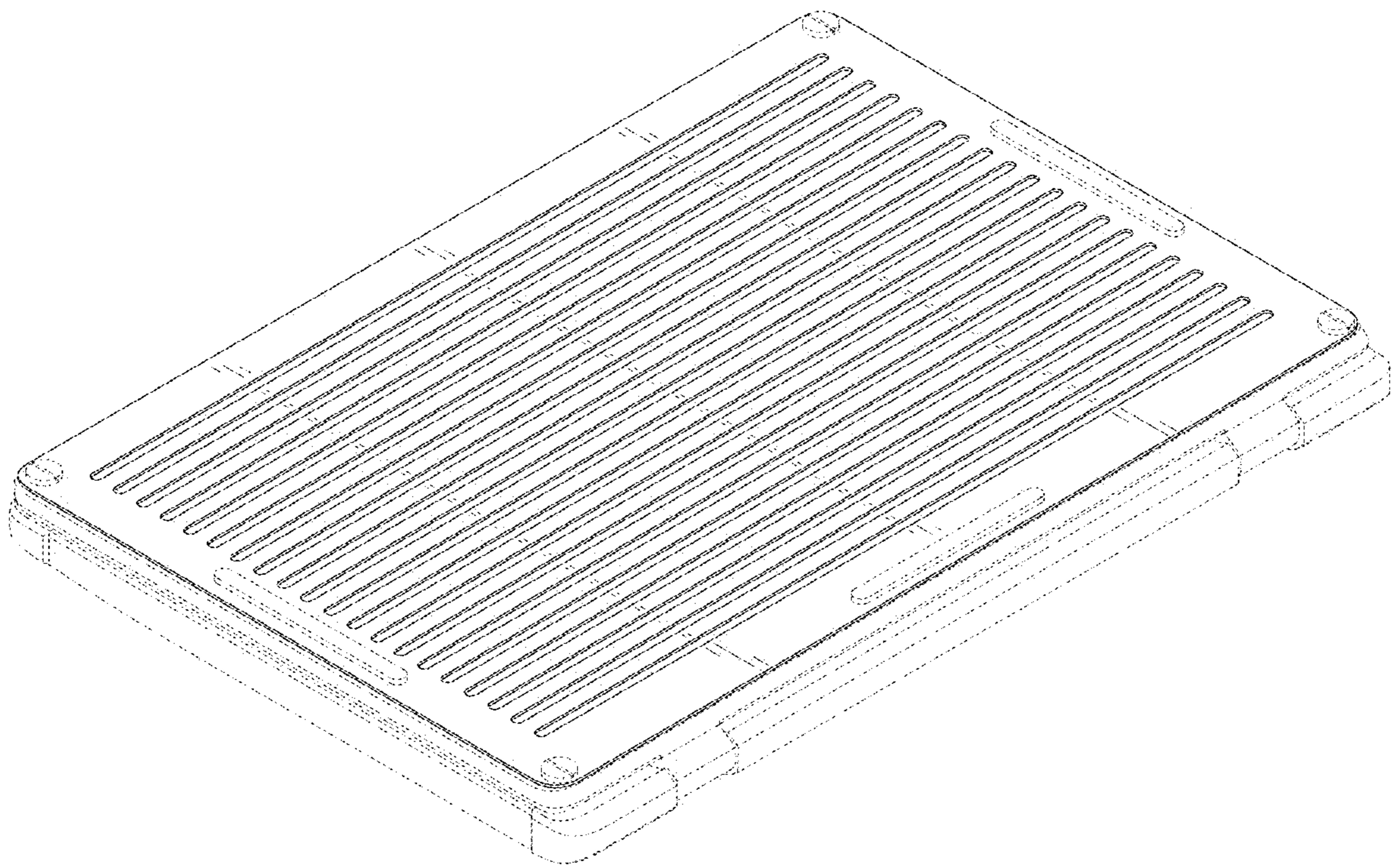


FIG. 2

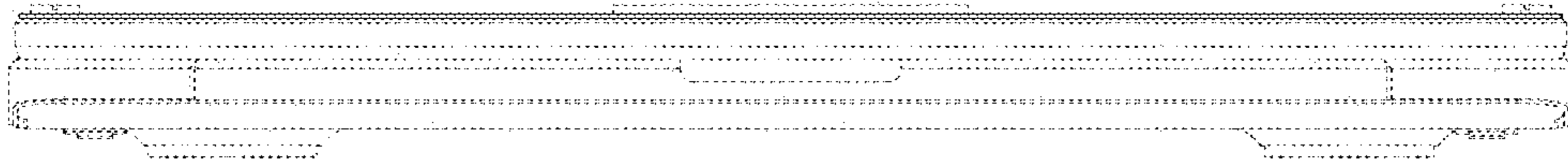


FIG. 3

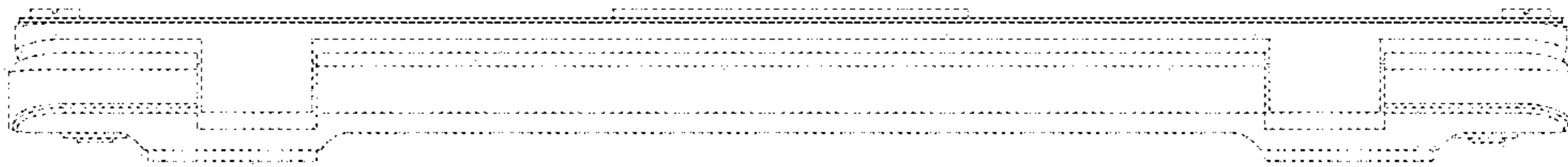


FIG. 4

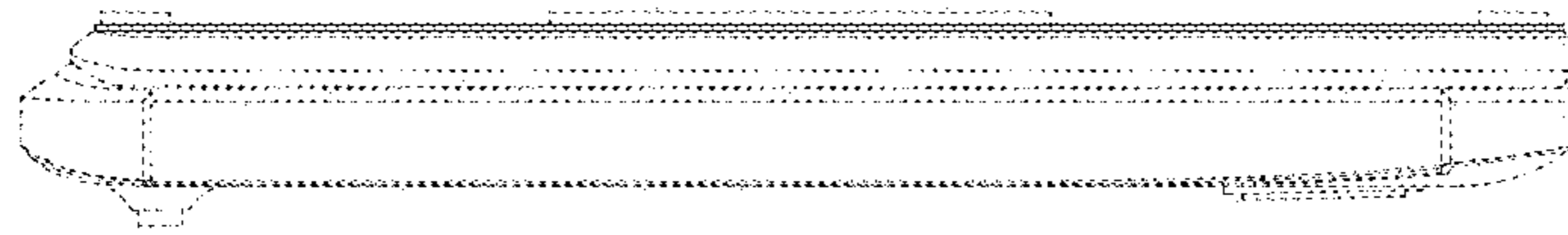


FIG. 5

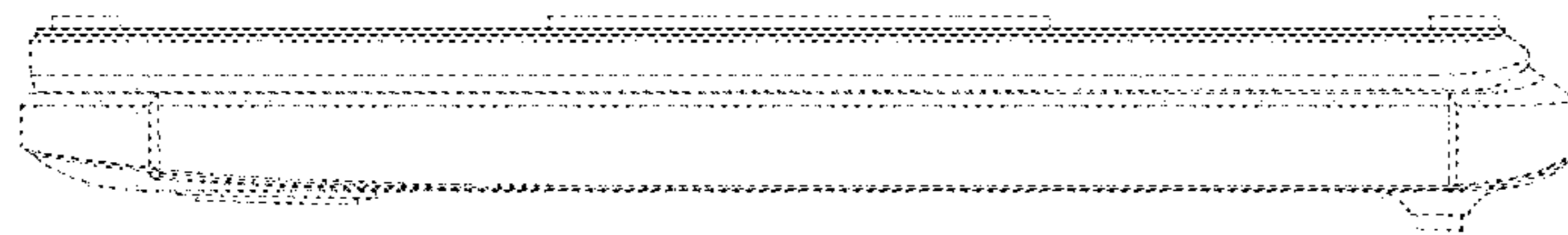


FIG. 6

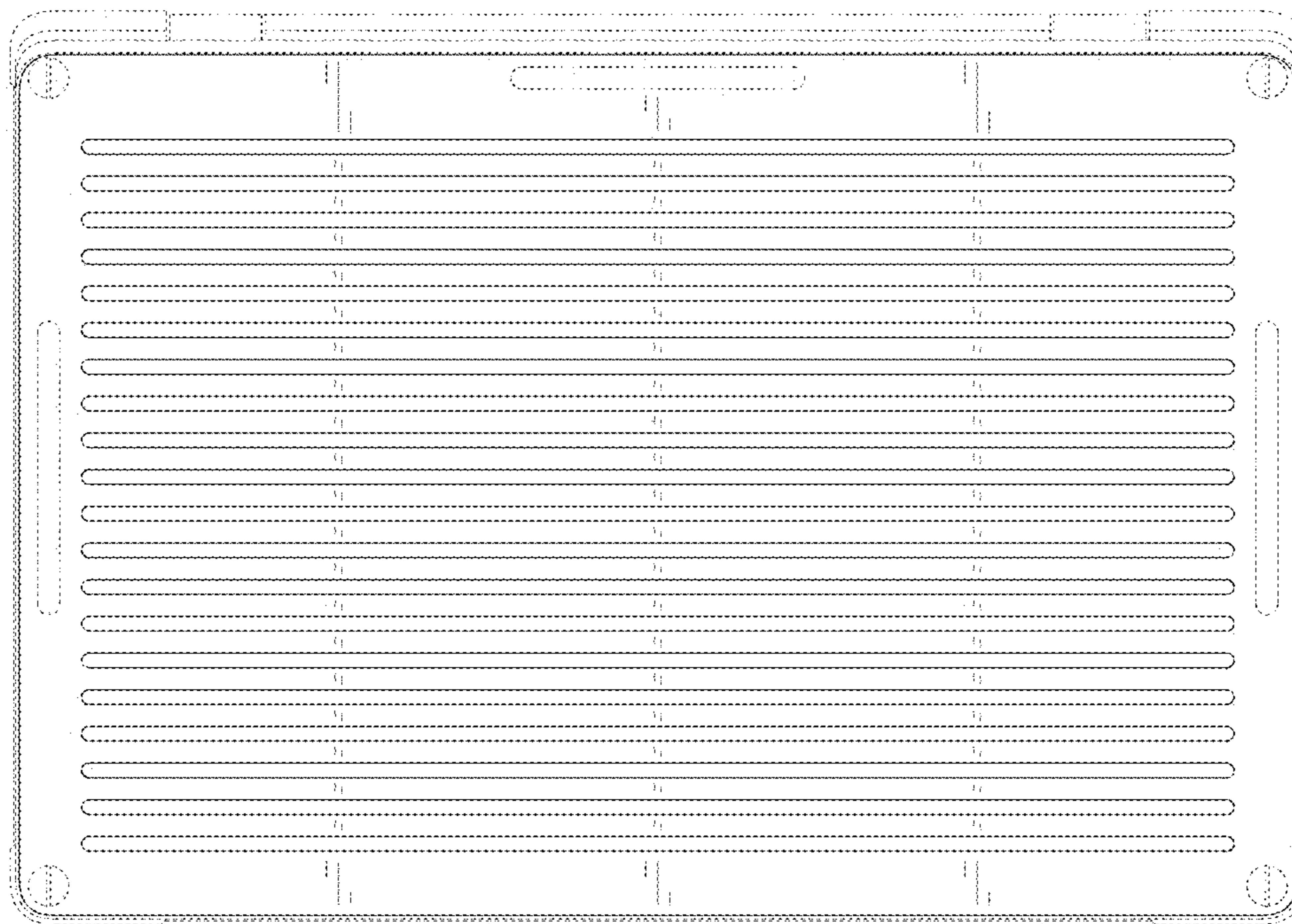


FIG. 7

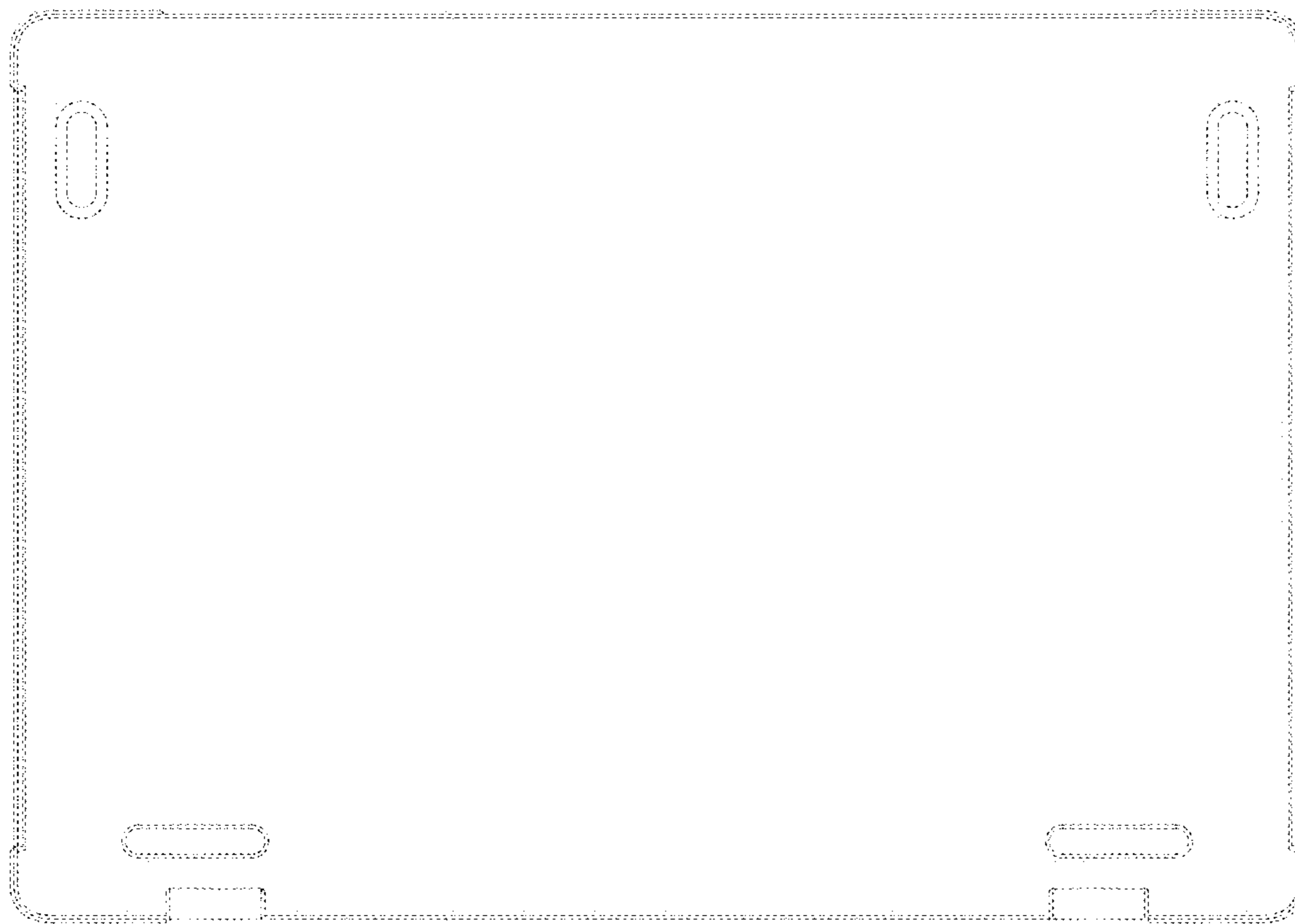


FIG. 8

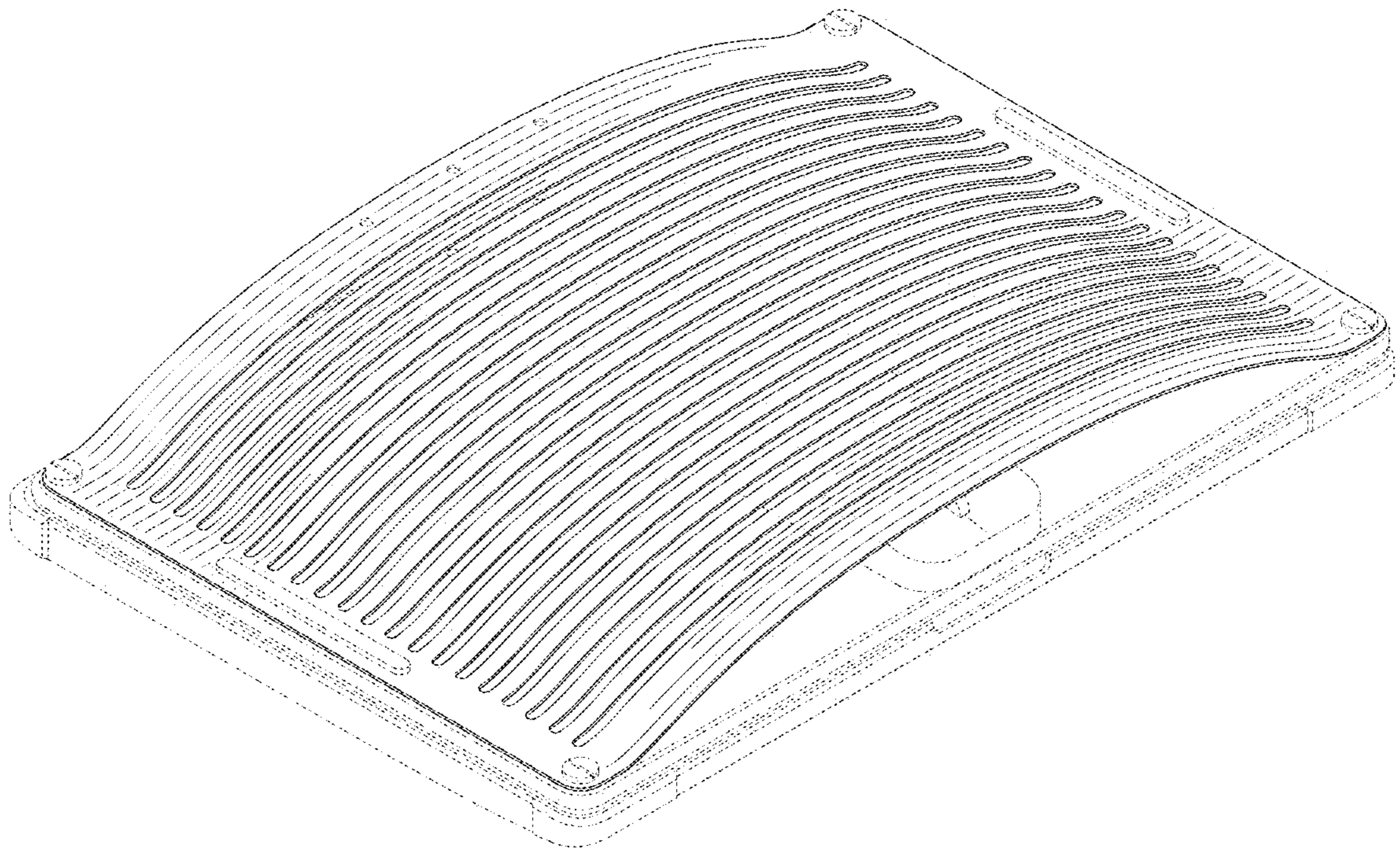


FIG. 9