

US00D969132S

(12) **United States Design Patent**
Musabeyoglu et al.

(10) **Patent No.:** **US D969,132 S**

(45) **Date of Patent:** **** Nov. 8, 2022**

(54) **ACCESS CONTROLLER**

(71) Applicant: **Amazon Technologies, Inc.**, Seattle, WA (US)

(72) Inventors: **Ahmet Can Musabeyoglu**, Sunnyvale, CA (US); **Kaushik Mani**, Sunnyvale, CA (US); **Taru Roy**, Mountain View, CA (US)

(73) Assignee: **Amazon Technologies, Inc.**, Seattle, WA (US)

(**) Term: **15 Years**

(21) Appl. No.: **29/726,046**

(22) Filed: **Feb. 28, 2020**

(51) **LOC (13) Cl.** **14-02**

(52) **U.S. Cl.**
USPC **D14/383**

(58) **Field of Classification Search**
USPC D13/162, 168, 184, 199; D14/137, 188, D14/240, 242, 243, 358, 383; D10/104.1, D10/106.1, 106.95
CPC ... G07C 9/10; G07C 9/20; G07C 9/21; G07C 9/23; G07C 9/27; G06K 5/00; G06K 7/01
See application file for complete search history.

(56) **References Cited**

U.S. PATENT DOCUMENTS

3,584,135	A	*	6/1971	Dowtin	H01M 50/20
						220/378
D300,624	S	*	4/1989	Seymour	D14/240
D305,230	S	*	12/1989	Math	D14/433
D305,717	S	*	1/1990	Soren	D14/138
D342,250	S	*	12/1993	Beaumont	D13/184
D449,279	S	*	10/2001	Takach, Jr.	D13/184
D589,876	S	*	4/2009	Hong	D13/108
D594,456	S	*	6/2009	Huang	D14/358
D656,936	S	*	4/2012	Saunders	D14/240

D699,614	S	*	2/2014	Ke	D10/106.95
D704,184	S	*	5/2014	Chen	D14/308
D719,862	S	*	12/2014	Fiedler	D10/106.95
D726,179	S	*	4/2015	Orthey	D14/420
D730,351	S	*	5/2015	Lee	D14/240
D736,207	S	*	8/2015	Bousfield	D14/385
D804,535	S	*	12/2017	Gardner	D14/203.3
D822,023	S	*	7/2018	Huff	D14/385
D829,768	S	*	10/2018	Lippitt	D14/188
D836,093	S	*	12/2018	Burgess	D14/242
D866,551	S	*	11/2019	Choi	D14/314
D870,085	S	*	12/2019	Zhang	D14/188
D870,086	S	*	12/2019	Zhang	D14/188
D892,114	S	*	8/2020	Siminoff	D14/383

(Continued)

OTHER PUBLICATIONS

Ring, Access Controller Pro 2; retrieved on Jun. 26, 2022; 2 pgs.*
Building a virtual fob with Amazon Key for Business and AWS IoT, Aug. 8, 2019.; 6pgs.*

Primary Examiner — Selina Sikder

(74) *Attorney, Agent, or Firm* — Lee & Hayes, P.C.

(57) **CLAIM**

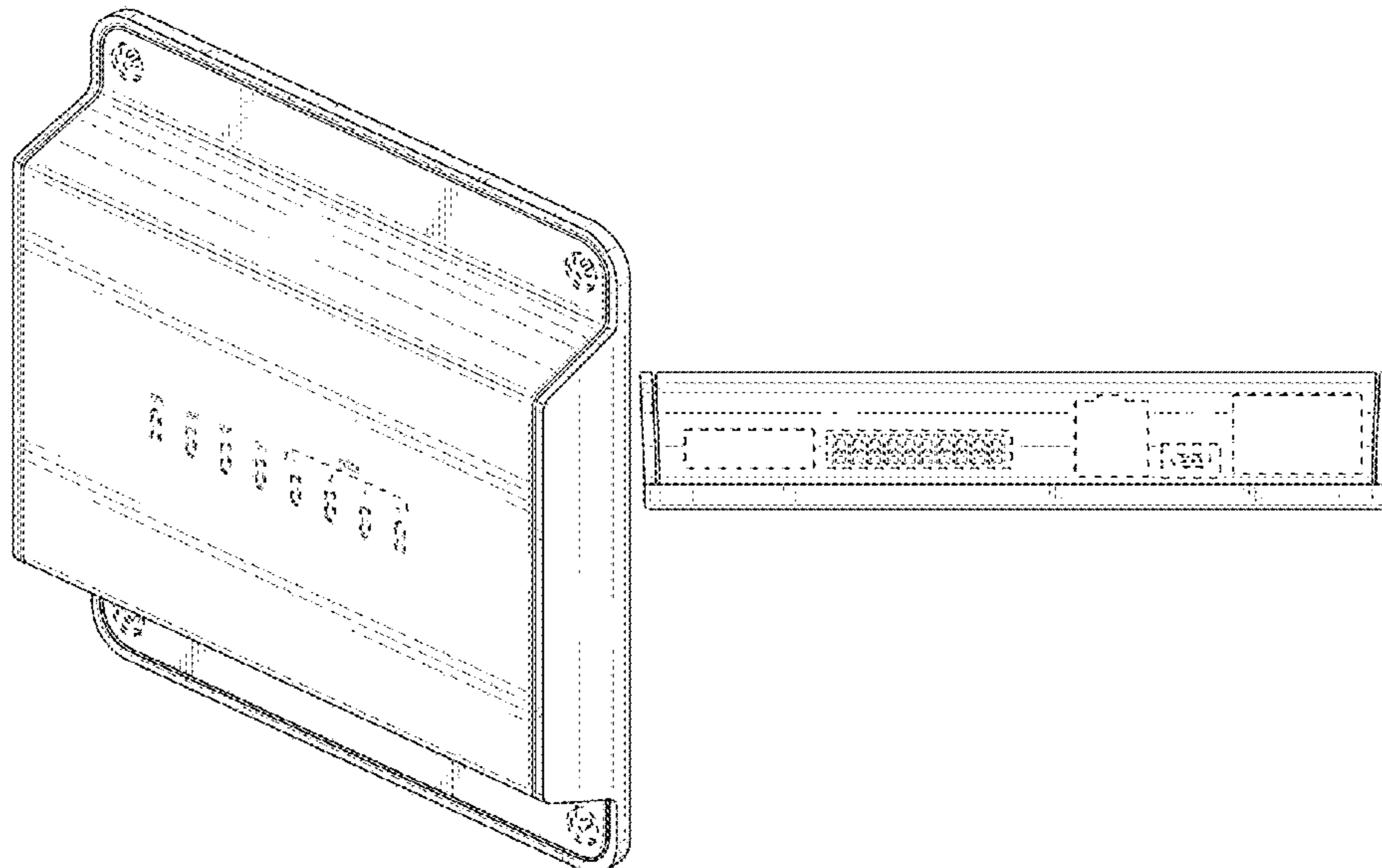
The ornamental design for an access controller, as shown and described.

DESCRIPTION

FIG. 1 is a top, front, right-side perspective view of an access controller;
FIG. 2 is a back, bottom, left-side perspective view thereof;
FIG. 3 is a front view thereof;
FIG. 4 is a back view thereof;
FIG. 5 is a right-side view thereof;
FIG. 6 is a left-side view thereof;
FIG. 7 is a top view thereof; and,
FIG. 8 is a bottom view thereof.

The broken lines depict portions of the access controller that form no part of the claimed design.

1 Claim, 8 Drawing Sheets



(56)

References Cited

U.S. PATENT DOCUMENTS

D901,471 S	*	11/2020	Siminoff	D14/240
D905,024 S	*	12/2020	Cueto	D14/240
D916,701 S	*	4/2021	Shin	D13/162.1
D937,788 S	*	12/2021	Doyle	D13/184
D940,712 S	*	1/2022	Hsu	D14/383
D942,451 S	*	2/2022	Lu	D14/383
D946,559 S	*	3/2022	Varela	D14/240
D954,016 S	*	6/2022	Mitsunaga	D14/188

* cited by examiner

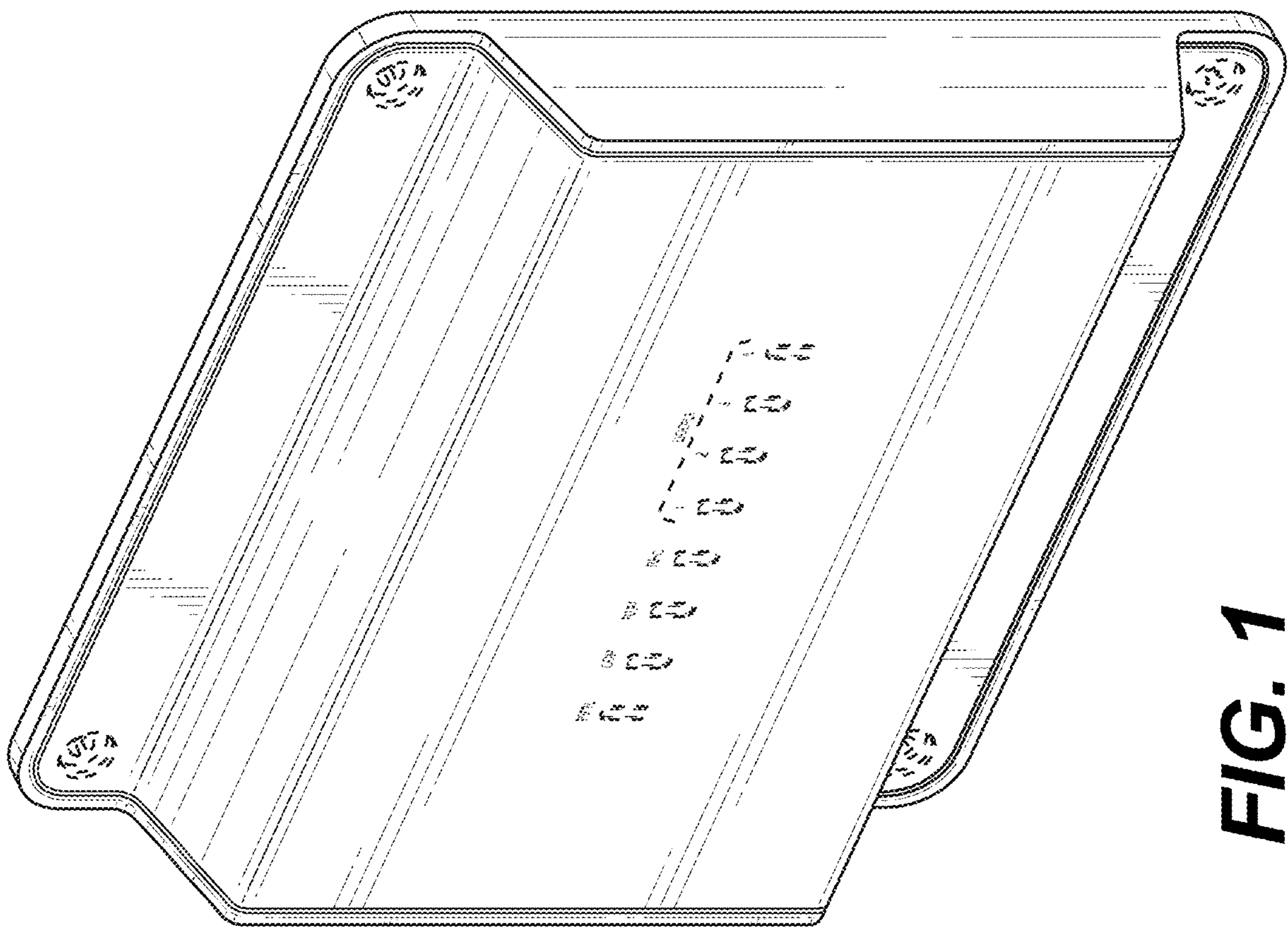


FIG. 1

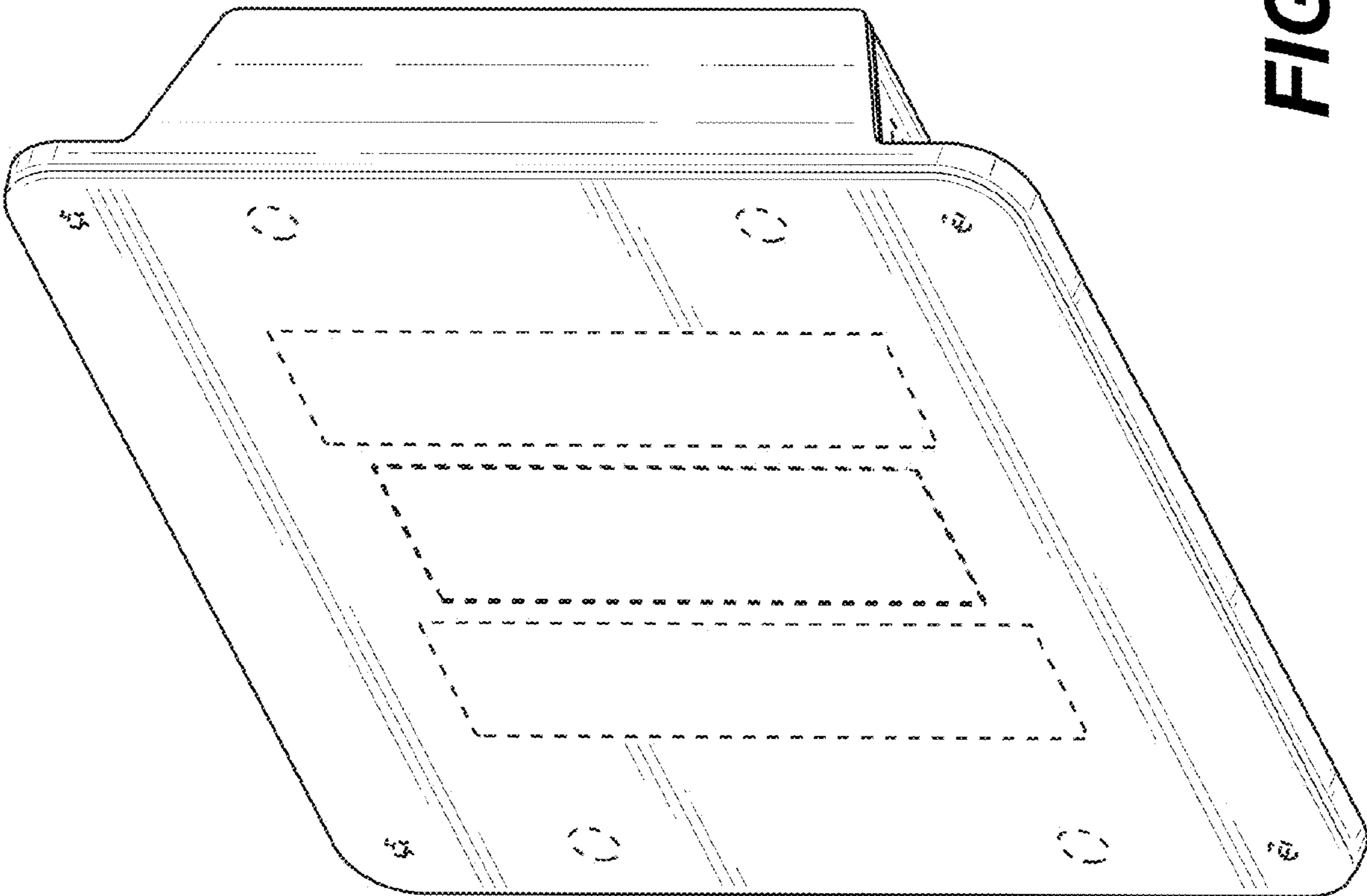


FIG. 2

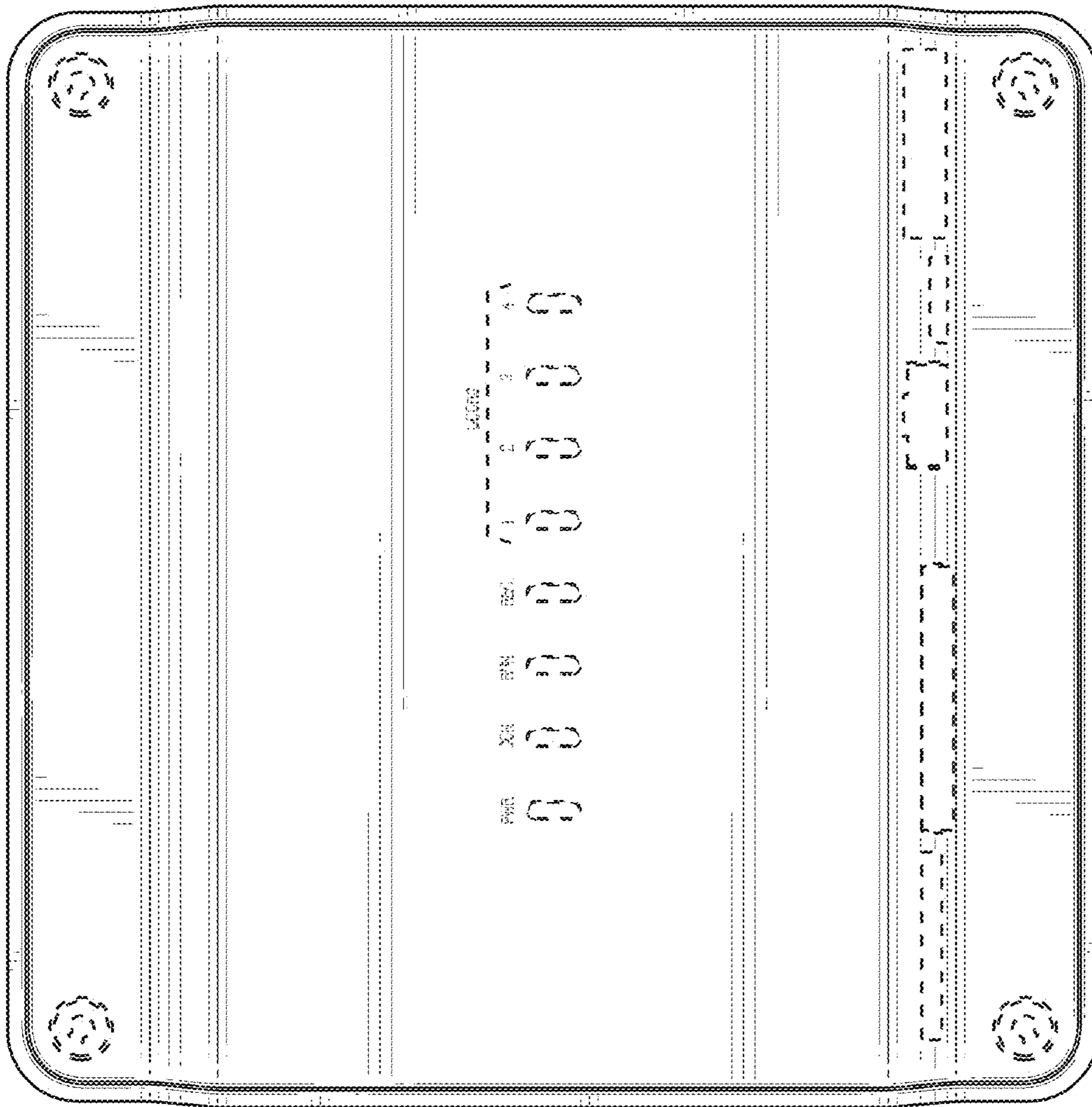


FIG. 3

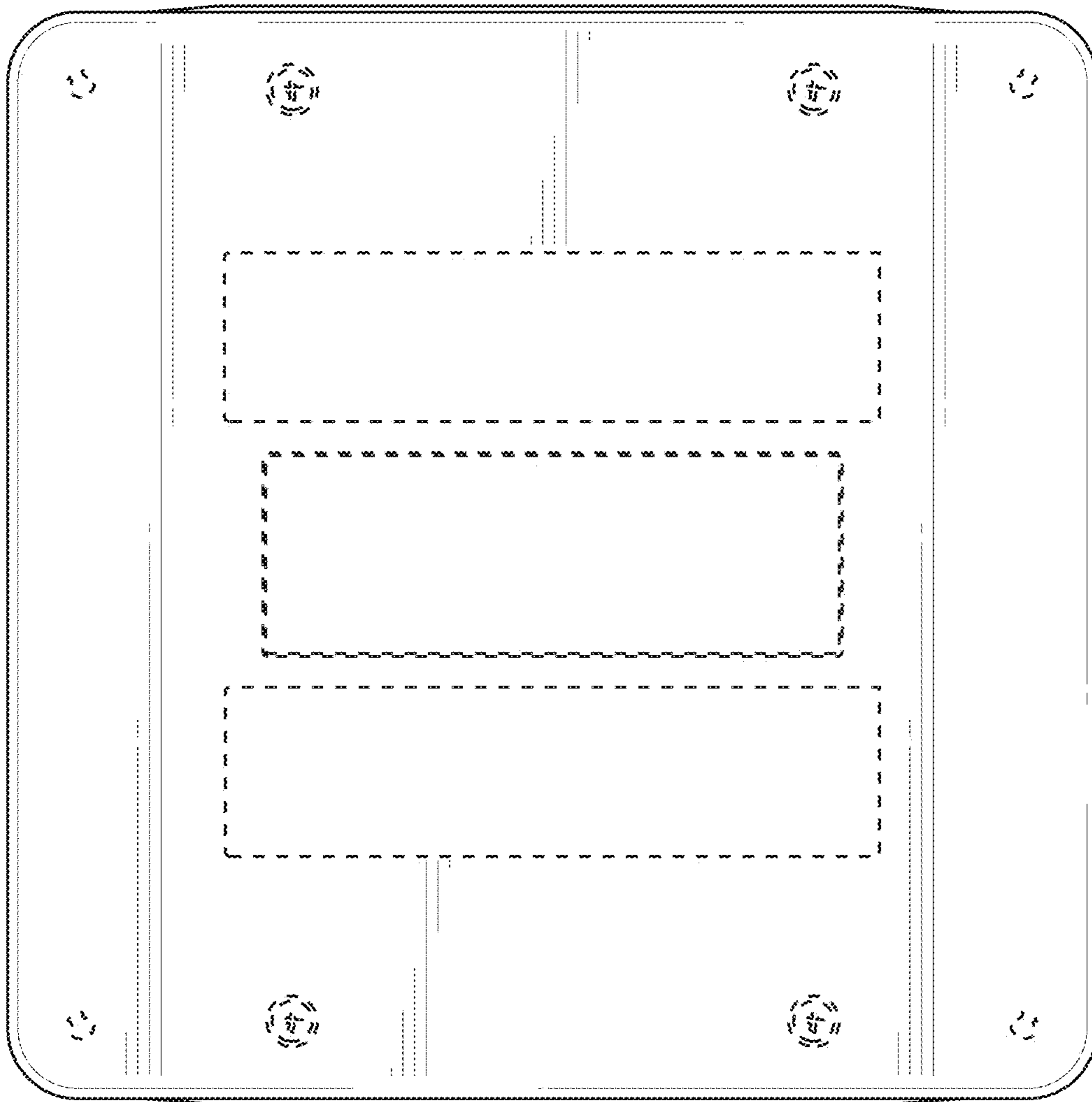


FIG. 4

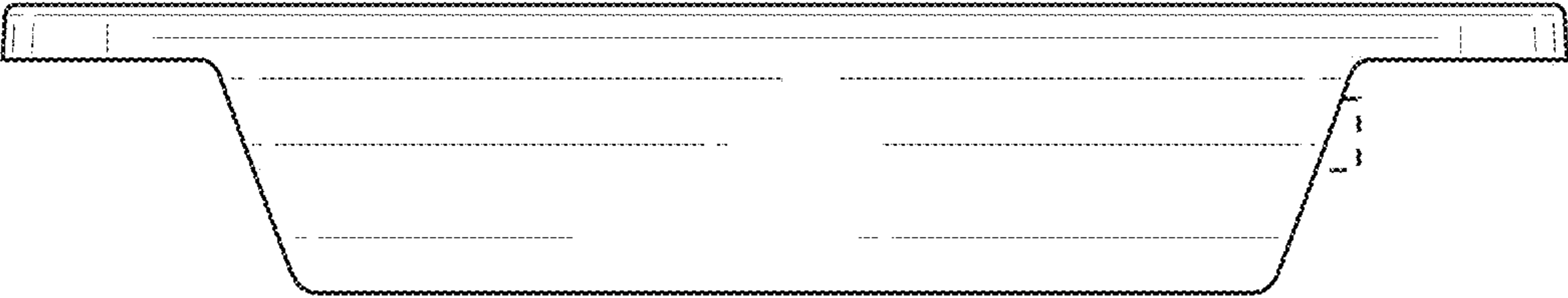


FIG. 5

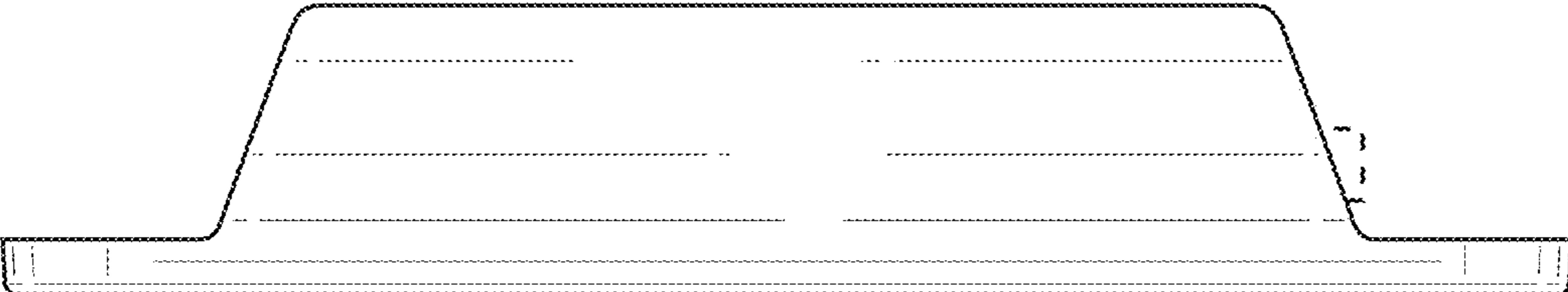


FIG. 6

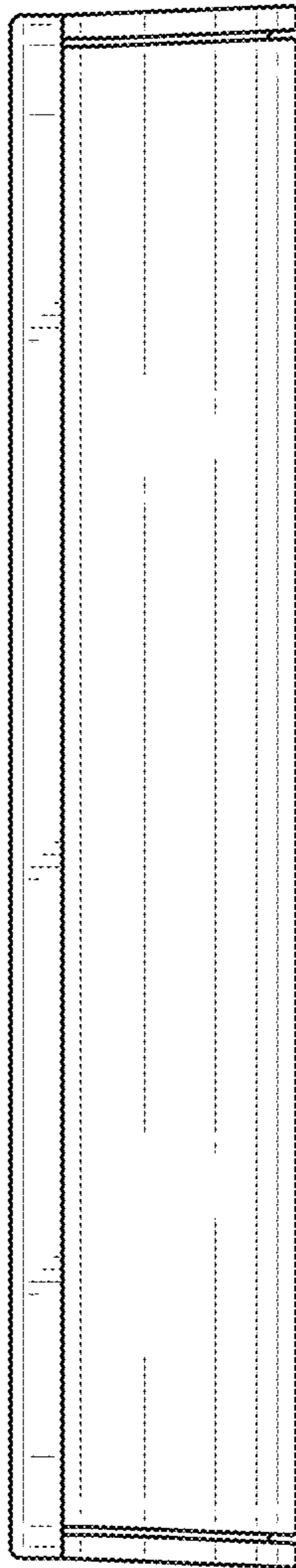


FIG. 7

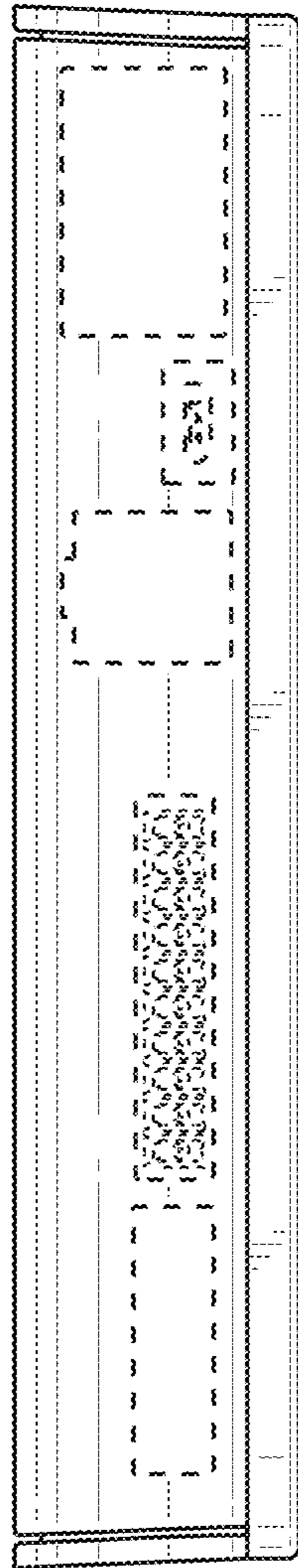


FIG. 8