



US00D969131S

(12) **United States Design Patent** (10) **Patent No.:** **US D969,131 S**  
**Lu** (45) **Date of Patent:** **\*\* Nov. 8, 2022**

(54) **MONITOR**  
(71) Applicant: **Shenzhen G-world Technology Incorporated Company, Shenzhen (CN)**

D727,897 S 4/2015 Stevenson et al.  
D741,825 S \* 10/2015 James ..... D14/125  
D781,285 S 3/2017 Akana et al.  
D781,291 S \* 3/2017 Hu ..... D14/374  
(Continued)

(72) Inventor: **Yi Lu, Shenzhen (CN)**  
(\*\*) Term: **15 Years**

**FOREIGN PATENT DOCUMENTS**

CN 306786223 \* 8/2021  
EP 008483473-0001 \* 4/2021  
WO WO-D203908-005 \* 5/2019

(21) Appl. No.: **29/776,830**

(22) Filed: **Apr. 1, 2021**

**OTHER PUBLICATIONS**

(51) **LOC (13) Cl.** ..... **14-02**

2709W Flat Panel Monitor, Dell, downloads.dell.com, author unlisted, published Jun. 29, 2017 per wayback machine © unlisted, online, site visited Dec. 4, 2021. Available at URL: [https://downloads.dell.com/manuals/all-products/esuprt\\_electronics/esuprt\\_display/dell-2709w\\_user%27s%20guide\\_en-US.pdf](https://downloads.dell.com/manuals/all-products/esuprt_electronics/esuprt_display/dell-2709w_user%27s%20guide_en-US.pdf) (Year: 2017).\*

(52) **U.S. Cl.**  
USPC ..... **D14/375**

(58) **Field of Classification Search**  
USPC ..... D14/125–127, 140.2, 149, 203.1, D14/203.7–203.8, 209.1, 221, 224.1, 227, D14/238.1, 300, 302, 305–307, 314, 336, D14/371, 373–377, 448, 496, 499–451, D14/900–902; D20/39, 41–42  
CPC ..... G06Q 20/18; G09F 13/00  
See application file for complete search history.

(Continued)

*Primary Examiner* — Holly E Thurman  
*Assistant Examiner* — Altaira J Swangin  
(74) *Attorney, Agent, or Firm* — Runit Ranjit Kanakia

(56) **References Cited**

(57) **CLAIM**

The ornamental design for a monitor, as shown and described.

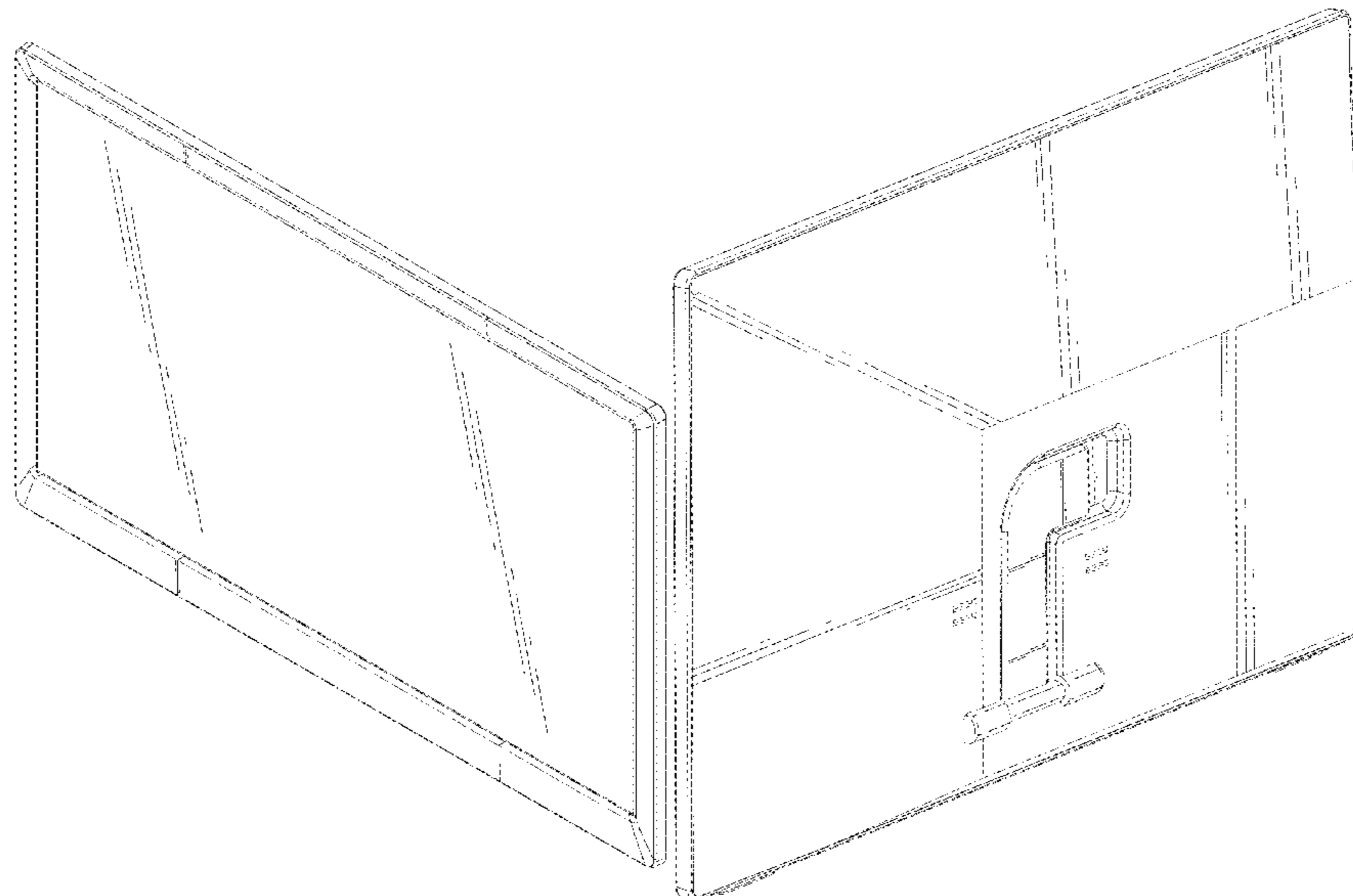
**U.S. PATENT DOCUMENTS**

**DESCRIPTION**

D471,236 S \* 3/2003 Robbins, III ..... D19/82  
D484,471 S \* 12/2003 Lin ..... D14/126  
D486,825 S \* 2/2004 Shiota ..... D14/374  
D491,943 S 6/2004 Whitehorn et al.  
D532,759 S \* 11/2006 Park ..... D14/126  
D536,311 S \* 2/2007 Park ..... D14/126  
D541,770 S \* 5/2007 Lee ..... D14/126  
D543,164 S \* 5/2007 Yang ..... D14/126  
D543,516 S \* 5/2007 Han ..... D14/126  
D593,092 S \* 5/2009 Huang ..... D14/374  
D610,106 S \* 2/2010 Yamaguchi ..... D14/129  
D618,189 S \* 6/2010 Honda ..... D14/126  
D689,482 S 9/2013 Akana et al.  
D714,389 S \* 9/2014 Lee ..... D20/42  
D714,746 S \* 10/2014 Euseok ..... D14/126

FIG. 1 is a front perspective view of a monitor showing my new design;  
FIG. 2 is a rear perspective view thereof;  
FIG. 3 is a front elevation view thereof;  
FIG. 4 is a rear elevation view thereof;  
FIG. 5 is a right side elevation view thereof;  
FIG. 6 is a left side elevation view thereof;  
FIG. 7 is a top plan view thereof; and,  
FIG. 8 is a bottom plan view thereof.  
The broken lines in the drawings depict portions of the monitor that form no part of the claimed design.

**1 Claim, 6 Drawing Sheets**



(56)

**References Cited**

## U.S. PATENT DOCUMENTS

D805,047 S \* 12/2017 Dry ..... D14/126  
D805,488 S \* 12/2017 Dry ..... D14/126  
D805,489 S \* 12/2017 Dry ..... D14/126  
D807,878 S 1/2018 Kim et al.  
D860,195 S 9/2019 Lee  
D898,737 S \* 10/2020 Chen ..... D14/341  
D907,039 S \* 1/2021 Kim ..... D14/375  
D922,996 S \* 6/2021 Chen ..... D14/315  
D934,826 S \* 11/2021 Wang ..... D14/126  
D950,551 S \* 5/2022 Chen ..... D14/375

## OTHER PUBLICATIONS

PB279Q Monitor, Asus, [pcmonitors.info](http://pcmonitors.info), published Adam Simmons on Jan. 27, 2015 © 2021 PCMonitors.inco, online, site visited Dec. 4, 2021. Available from Internet, URL: <https://pcmonitors.info/reviews/asus-pb279q/> (Year: 2015).\*

PM161Q Portable Display, Acer, [anandtech.com](http://anandtech.com), published Anton Shilov on Feb. 3, 2020 © 2022 Anandtech.com, online, site visited Jun. 13, 2022. Available from Internet, URL: <https://www.anandtech.com/show/15465/acer-launches-cheap-usb-c-monitor-for-laptops-the-156inch-pm1> (Year: 2020).\*

PM1 Series Monitor, Acer, [acer.com](http://acer.com), author unlisted, published on Sep. 20, 2020 per wayback machine © 2022 Acer Inc., online, site visited Jun. 13, 2022. Available from Internet, URL: <https://www.acer.com/ac/en/US/content/series/pm1> (Year: 2020).\*

PM161Q USB-C Monitor, Acer Malaysia, [lowyat.net](http://lowyat.net), published by Chief Chapree on Aug. 2, 2019 © 2022 Lowyat Media LLC, online, site visited Jun. 13, 2022. Available from Internet, URL: <https://www.lowyat.net/2019/190960/acer-pm161q-usb-c-portable-monitor-coming-to-malaysia-this-september-for-rm-599/> (Year: 2019).\*

\* cited by examiner

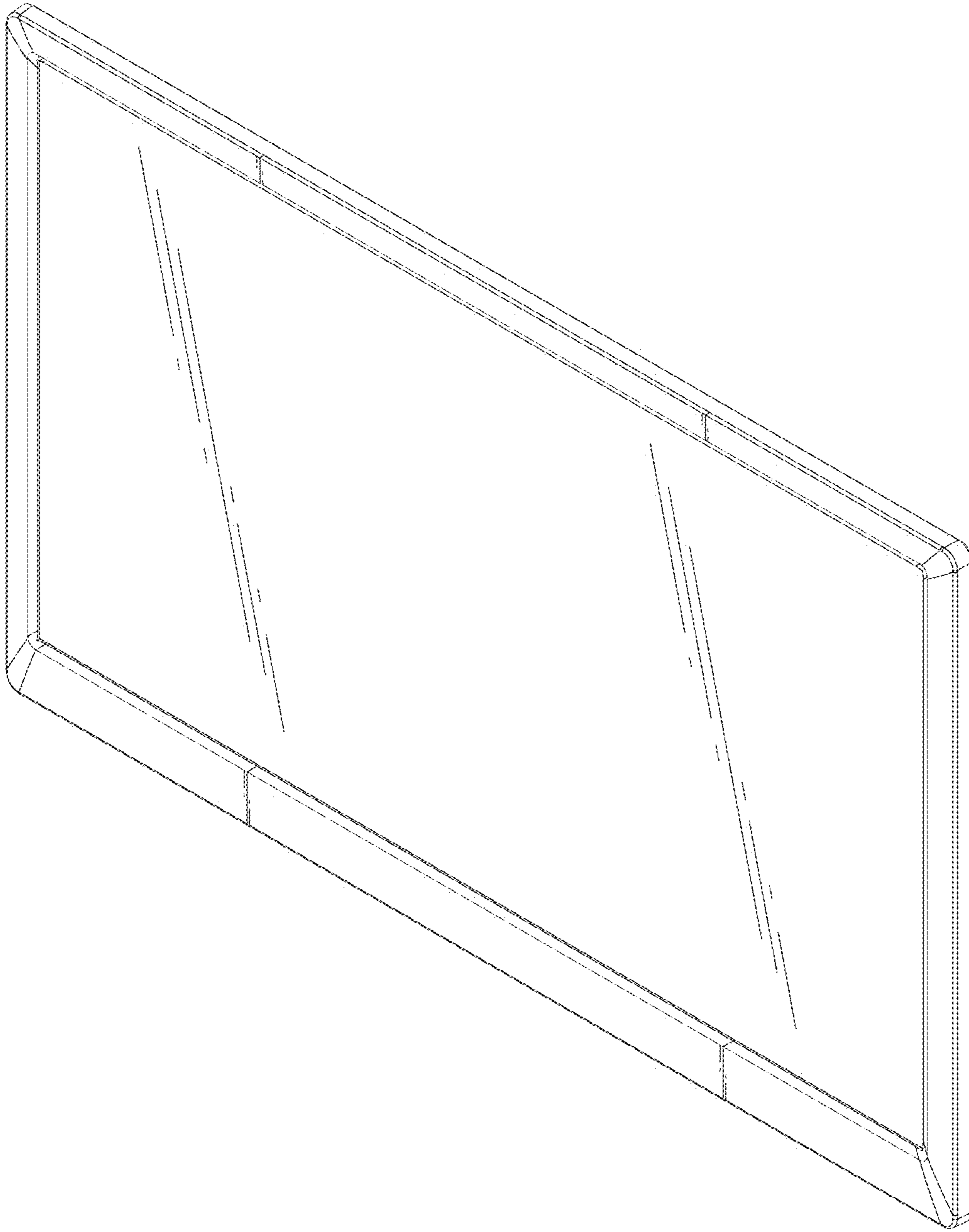


FIG. 1

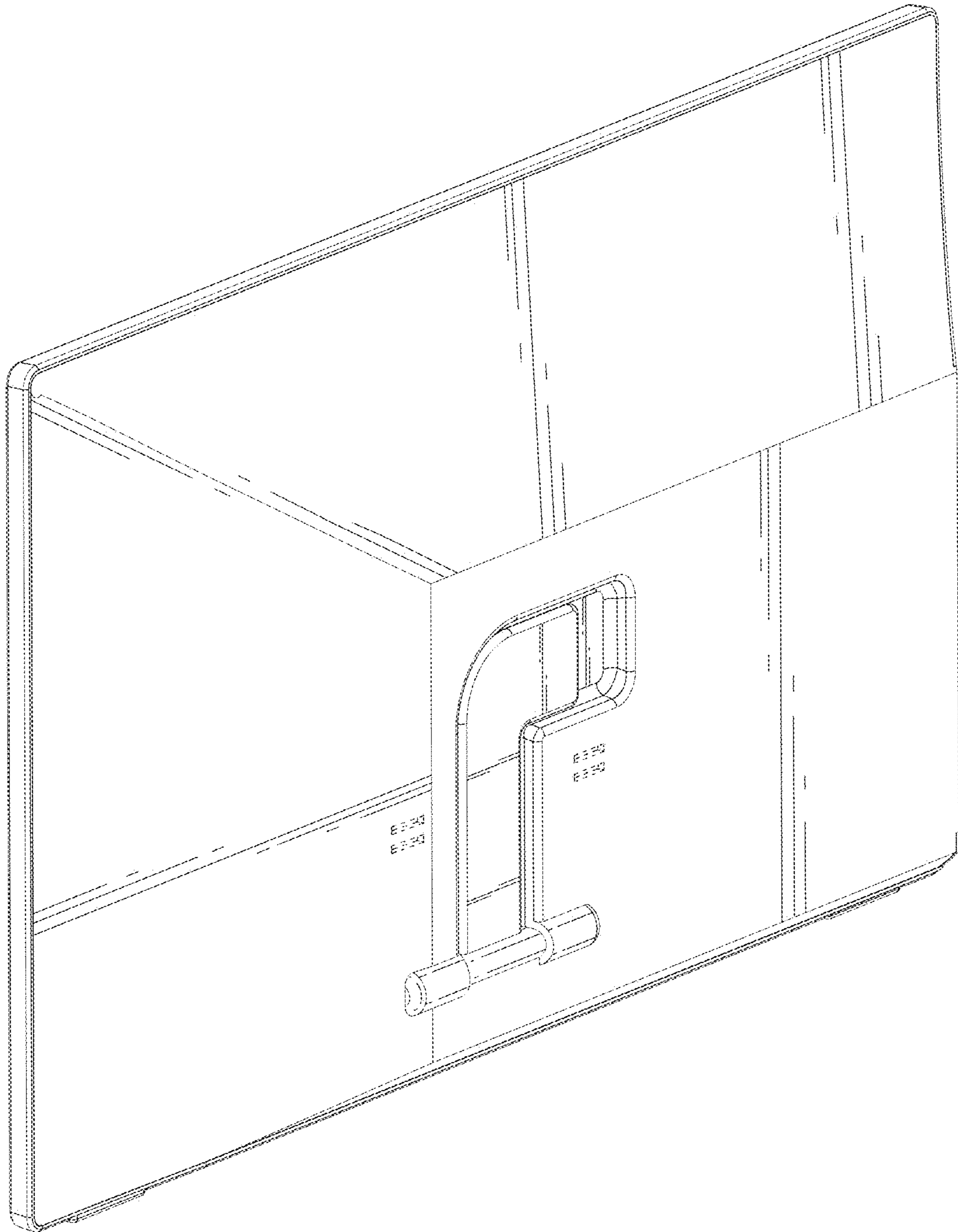


FIG. 2

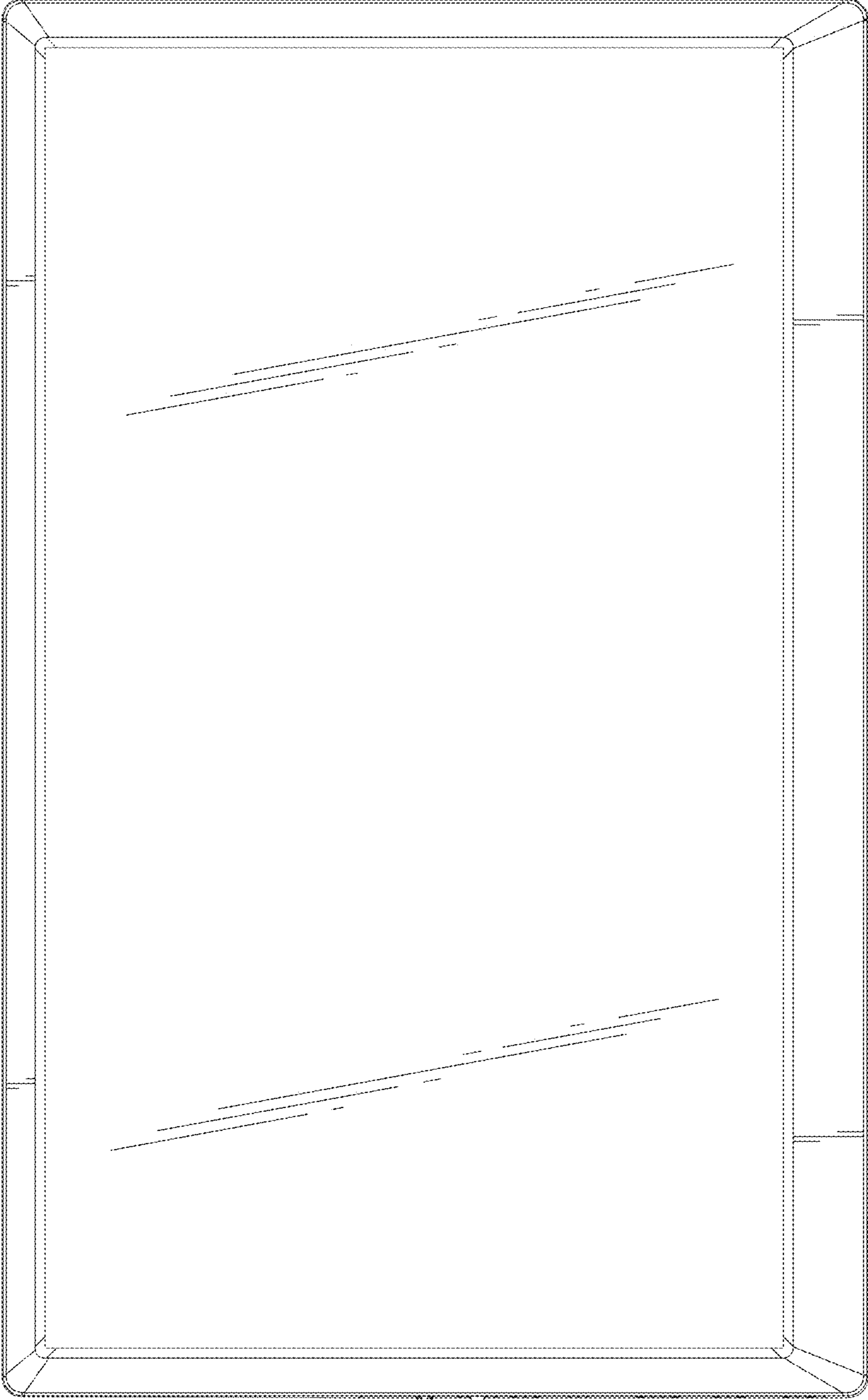


FIG. 3

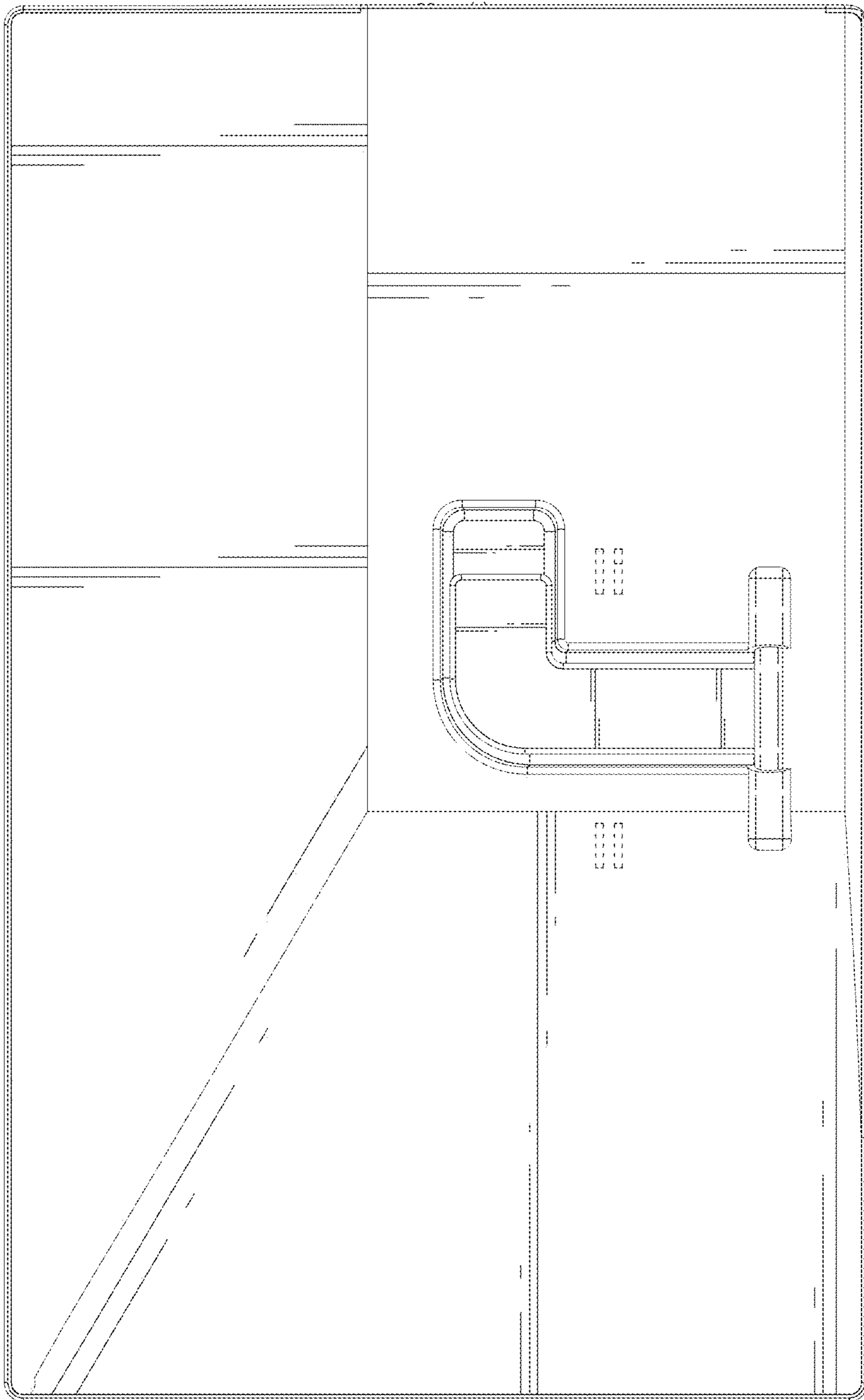


FIG. 4

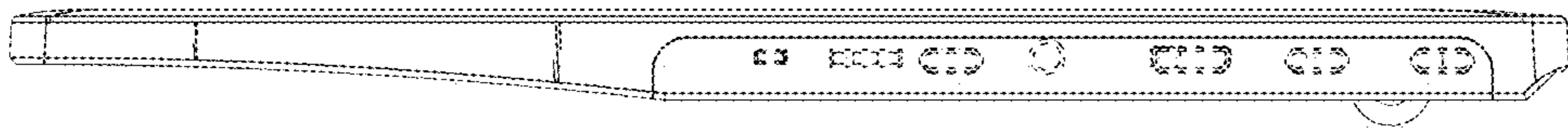


FIG. 6

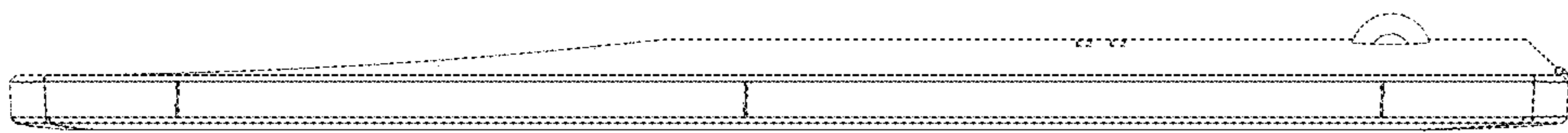


FIG. 5

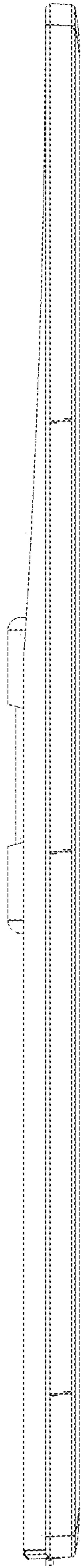


FIG. 7

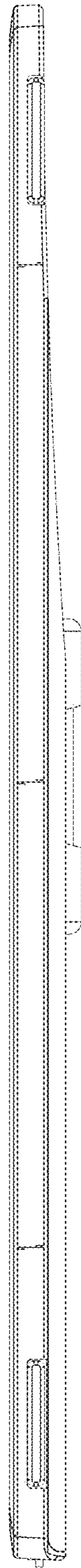


FIG. 8