



US00D969125S

(12) **United States Design Patent** (10) **Patent No.:** **US D969,125 S**
Kim et al. (45) **Date of Patent:** **** Nov. 8, 2022**

(54) **NOTEBOOK**

FOREIGN PATENT DOCUMENTS

(71) Applicant: **SAMSUNG ELECTRONICS CO., LTD.**, Suwon-si (KR)

EM 001261044-0001 3/2011

(72) Inventors: **Minji Kim**, Suwon-si (KR); **Seungho Jung**, Suwon-si (KR); **Iksang Kim**, Suwon-si (KR)

OTHER PUBLICATIONS

Wired Staff, Best Laptop: Dell XPS 13 (2016), site posted Dec. 7, 2016. Site visited Dec. 14, 2021. URL: <<https://www.wired.com/2016/12/best-laptop-dell-xps-13-2016/>> (Year: 2016).*

(73) Assignee: **SAMSUNG ELECTRONICS CO., LTD.**, Gyeonggi-Do (KR)

(Continued)

(**) Term: **15 Years**

Primary Examiner — Kathleen L Jones

(74) *Attorney, Agent, or Firm* — Cantor Colburn LLP

(21) Appl. No.: **29/714,612**

(22) Filed: **Nov. 25, 2019**

(57) **CLAIM**

(30) **Foreign Application Priority Data**

The ornamental design for a notebook, as shown and described.

May 31, 2019 (KR) 30-2019-0025966

(51) **LOC (13) Cl.** **14-02**

DESCRIPTION

(52) **U.S. Cl.**

USPC **D14/327**

(58) **Field of Classification Search**

USPC D14/315–327, 371, 448, 126–127, D14/339–340, 450, 373; D18/1, 4.3, 7, D18/12.2–12.3

CPC G06F 1/166; G06F 1/1613; G06F 1/1616; G06F 1/1618; G06F 1/162; G06F 1/1622; G06F 1/1624; G06F 1/1628; G06F 1/1633; G06F 1/1615; G06F 1/1643; G06F 1/1652; G06F 1/1654; G06F 1/1656; G06F 1/1669; G06F 1/203; G06F 1/1688; G06F 1/1601; G06F 1/1637; G06F 1/181; G06F 1/1641;

(Continued)

FIG. 1 is a top perspective view of a first embodiment of a notebook, showing our new design; FIG. 2 is a front view thereof; FIG. 3 is a rear view thereof; FIG. 4 is a left-side view thereof; FIG. 5 is a right-side view thereof; FIG. 6 is a top view thereof; FIG. 7 is a bottom view thereof; FIG. 8 is a bottom perspective view thereof; FIG. 9 is a top perspective view of a second embodiment of a notebook, showing our new design; FIG. 10 is a front view thereof; FIG. 11 is a rear view thereof; FIG. 12 is a left-side view thereof; FIG. 13 is a right-side view thereof; FIG. 14 is a top view thereof; FIG. 15 is a bottom view thereof; and, FIG. 16 is a bottom perspective view thereof.

The broken lines illustrating portions of the notebook form no part of the claimed design.

(56) **References Cited**

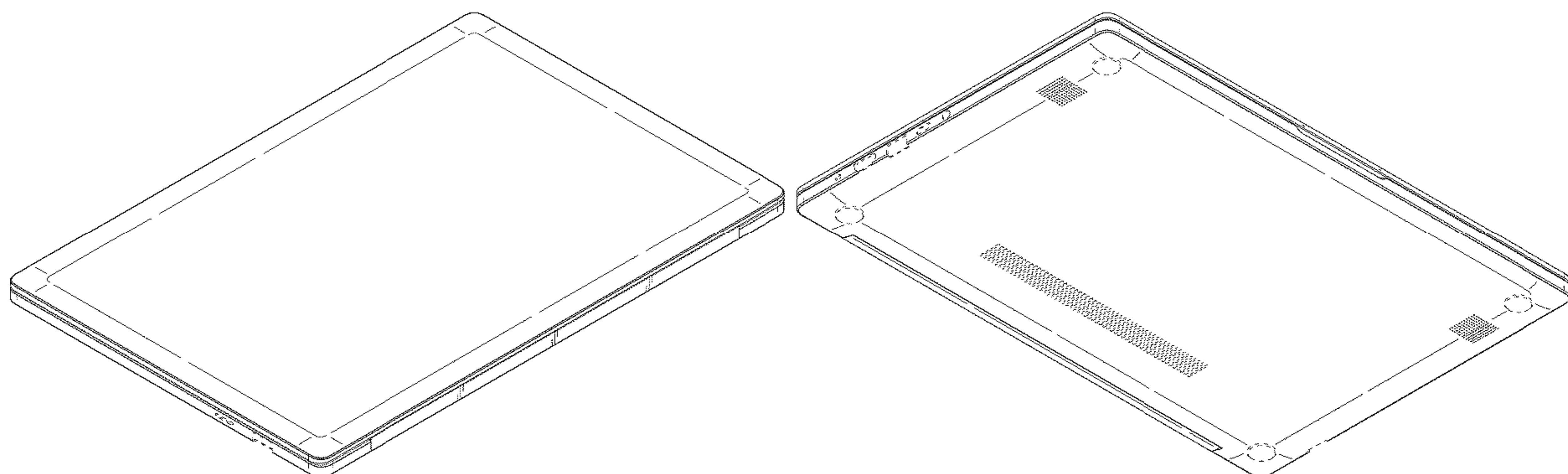
U.S. PATENT DOCUMENTS

D606,989 S * 12/2009 Andre D14/315

D616,881 S * 6/2010 Andre D14/318

(Continued)

1 Claim, 8 Drawing Sheets



(58) **Field of Classification Search**

CPC G06F 1/1647; G06F 1/1649; G06F 1/165;
G06F 1/1662; G06F 1/1671; G06F 1/169;
G06F 1/1692

See application file for complete search history.

(56) **References Cited**

U.S. PATENT DOCUMENTS

D676,041	S	*	2/2013	McManigal	D14/315
D676,438	S	*	2/2013	Akana	D14/318
D679,704	S	*	4/2013	McManigal	D14/318
D679,705	S	*	4/2013	McManigal	D14/318
D686,205	S	*	7/2013	Akana	D14/318
D710,841	S	*	8/2014	Akana	D14/318
D719,149	S	*	12/2014	Matsuoka	D14/318
D720,742	S	*	1/2015	Leonard	D14/315
D756,350	S	*	5/2016	Sun	D14/315
D756,351	S	*	5/2016	Sun	D14/315
D756,352	S	*	5/2016	Matsuoka	D14/318
D775,623	S	*	1/2017	Akana	D14/315
D795,245	S		8/2017	Seoc		
D806,701	S	*	1/2018	Akana	D14/315
D807,342	S	*	1/2018	Chang	D14/315
D829,710	S	*	10/2018	Seoc	D14/315
D865,756	S	*	11/2019	Moon	D14/327
D890,168	S	*	7/2020	Akana	D14/318
D891,423	S	*	7/2020	Seoc	D14/327
D901,485	S	*	11/2020	Ding	D14/327
D916,075	S	*	4/2021	Jung	D14/315
D916,076	S	*	4/2021	Seoc	D14/315
D931,274	S	*	9/2021	Hwang	D14/315
D947,172	S	*	3/2022	Min	D14/318

D950,548	S	*	5/2022	Eguchi	D14/327
2013/0027873	A1	*	1/2013	Chen	G06F 1/203 361/679.46
2013/0329359	A1	*	12/2013	Andre	G06F 1/1616 361/679.55
2015/0007416	A1	*	1/2015	Chen	G06F 1/1681 16/386
2018/0341288	A1	*	11/2018	Senatori	G06F 1/16
2020/0064884	A1	*	2/2020	Liu	G06F 1/1662

OTHER PUBLICATIONS

Riofrio, Melissa, Samsung's Notebook 7 and Notebook 7 Force are premium, performance-oriented laptops, posted at PC World, posting date Jun. 3, 2019. Site visited Dec. 14, 2021. URL: <<https://www.pcworld.com/article/397539/samsung-notebook-7-and-notebook-7-force-price-specs-features-availability.html>> (Year: 2019).*

Amazon.com: ASUS Chromebook C202SA-YS04 11.6" . . . [online]. Pages 1-8 [retrieved on Feb. 5, 2020]. Retrieved from the Internet: <URL: <https://www.amazon.com/dp/B07CHVH11J?tag=mashable-editpost-20&ascsubtag=02BOg4zWWFQn7FIGUQPKdsu>.>

Dell Inspiron 15-5558 Notebook Review—NotebookCheck.net Reviews. [online]. pp. 1-16 [retrieved on Feb. 5, 2020]. Retrieved from the Internet: <URL: <https://www.notebookcheck.net/Dell-Inspiron-15-5558-Notebook-Review.145836.0.html>.>

MSI GS63VR Stealth Pro 15.6" Ultra thin and light Premium . . . [online]. pp. 1-6 [retrieved on Feb. 5, 2020]. Retrieved from the Internet: <URL: <https://www.newegg.com/aluminum-black-msi-gs-series-gs63vr-stealth-pro-gaming-entertainment/p/N82E16834154791R>.>

* cited by examiner

FIG.1

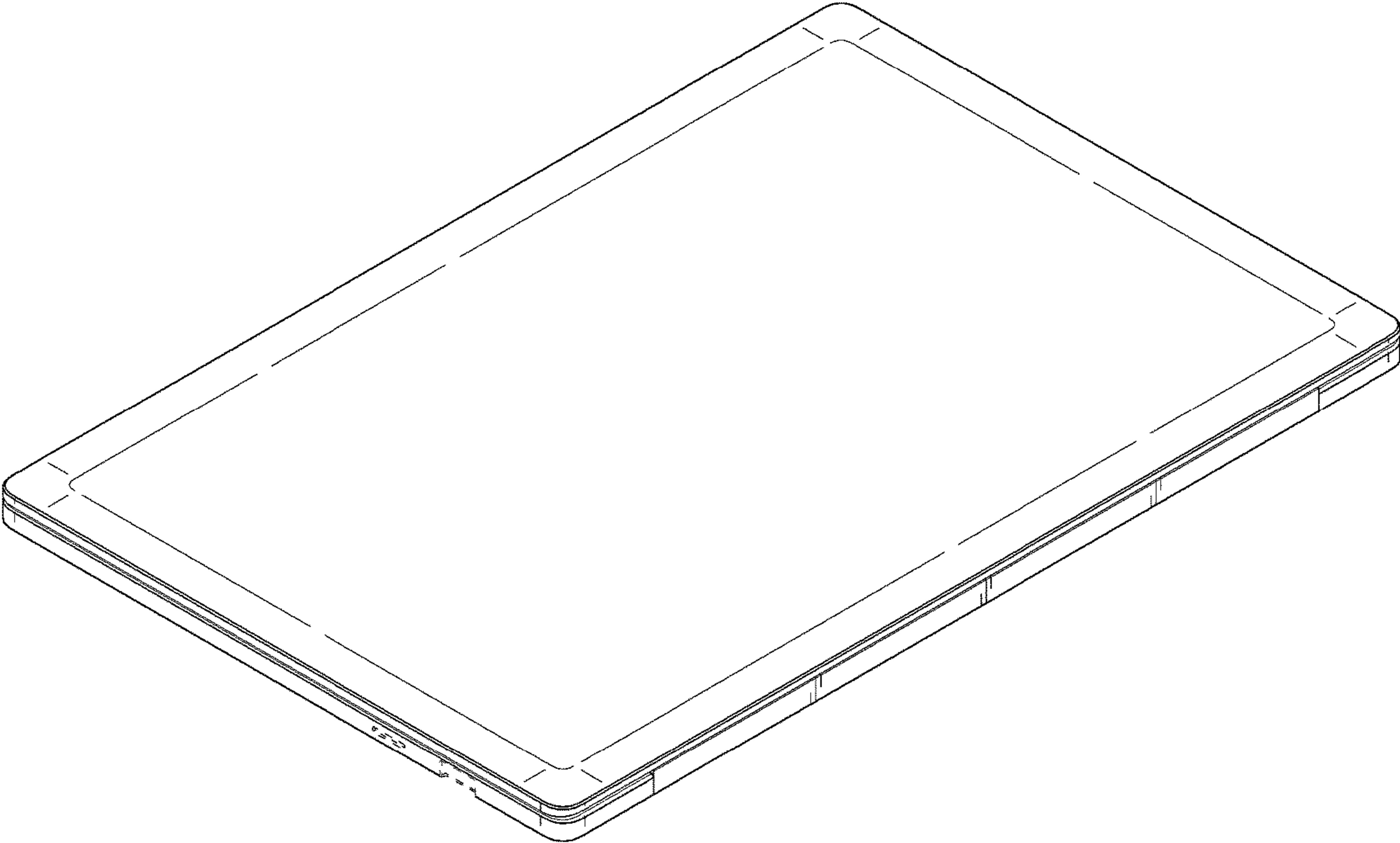


FIG.2

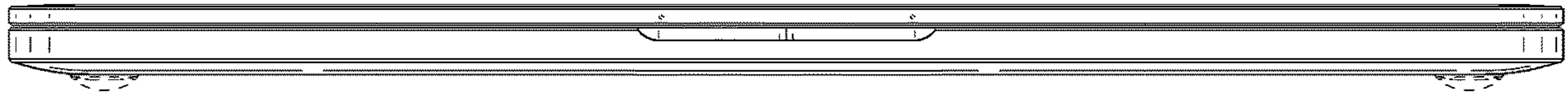


FIG.3

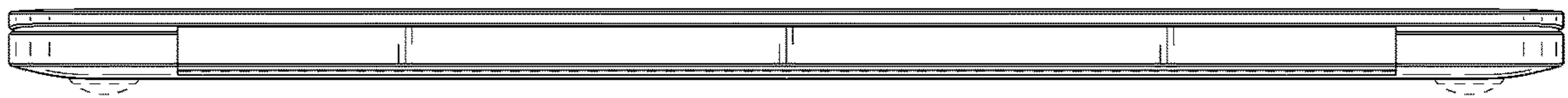


FIG.4

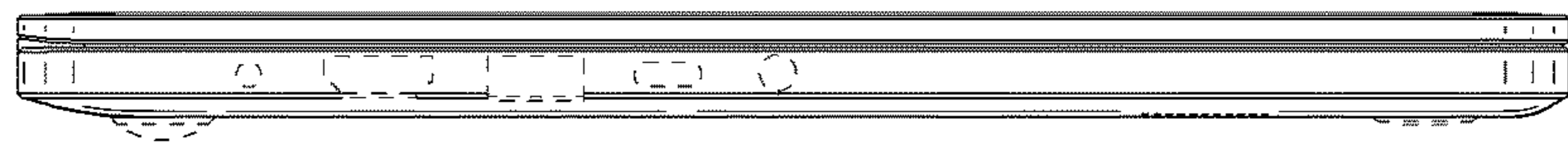


FIG.5

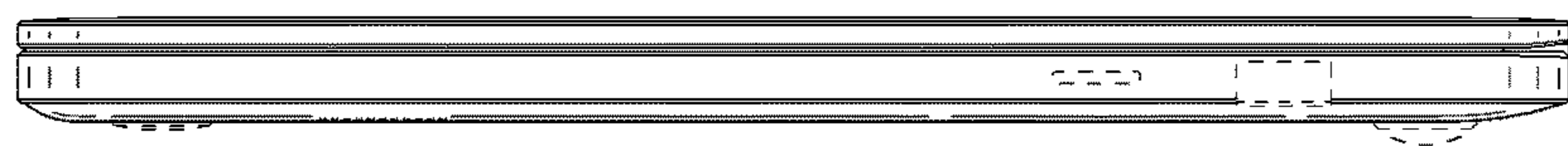


FIG.6

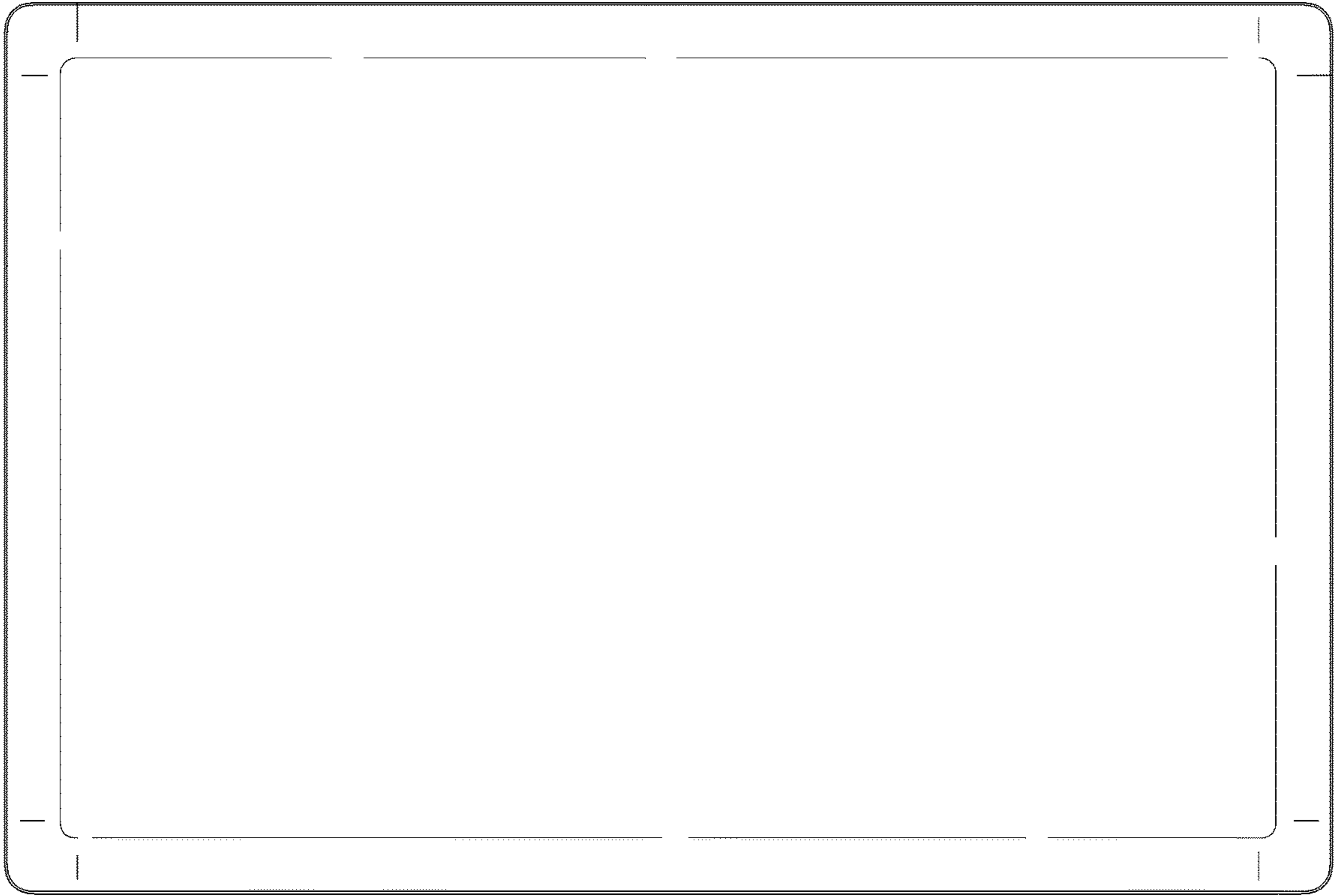


FIG.7

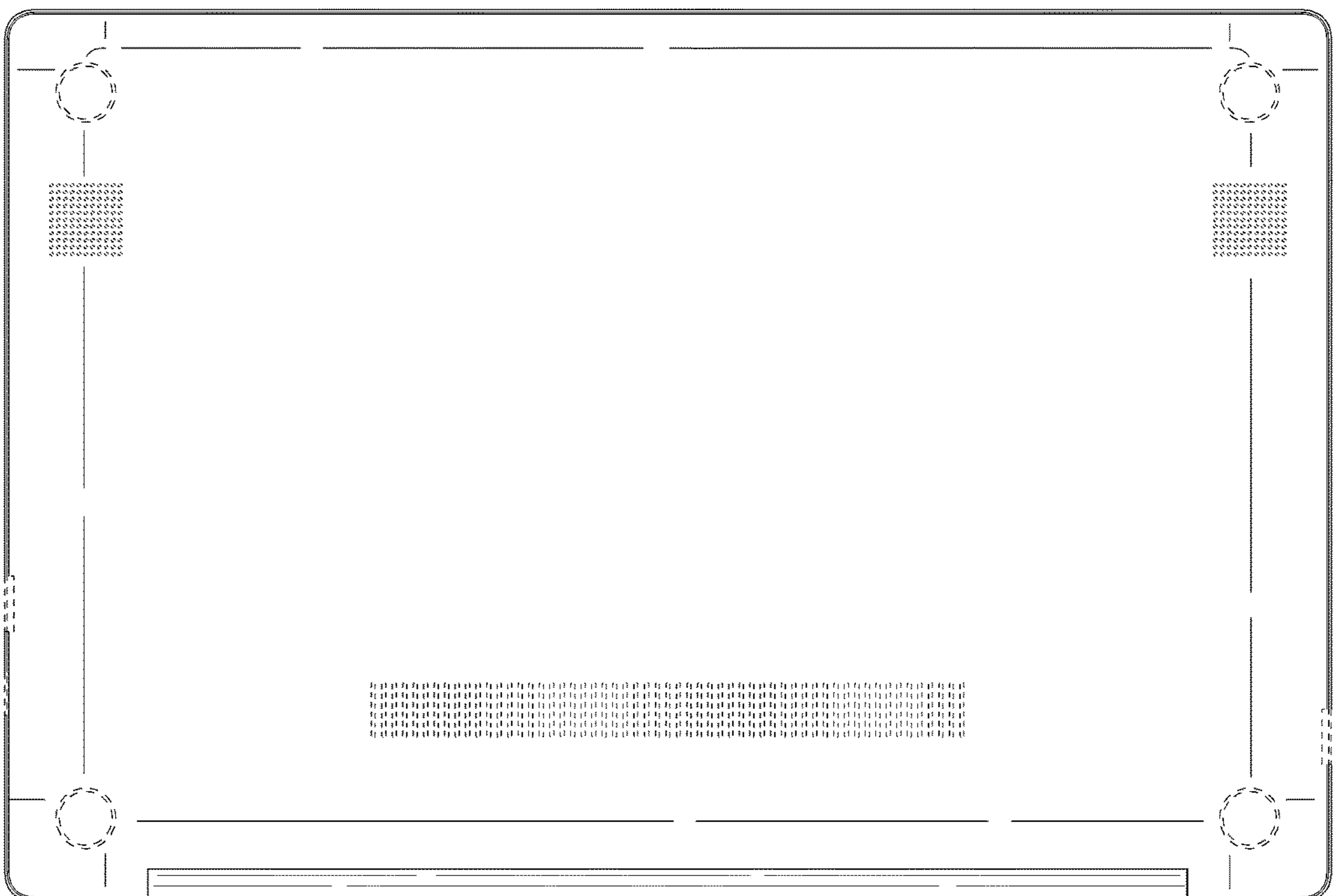


FIG.8

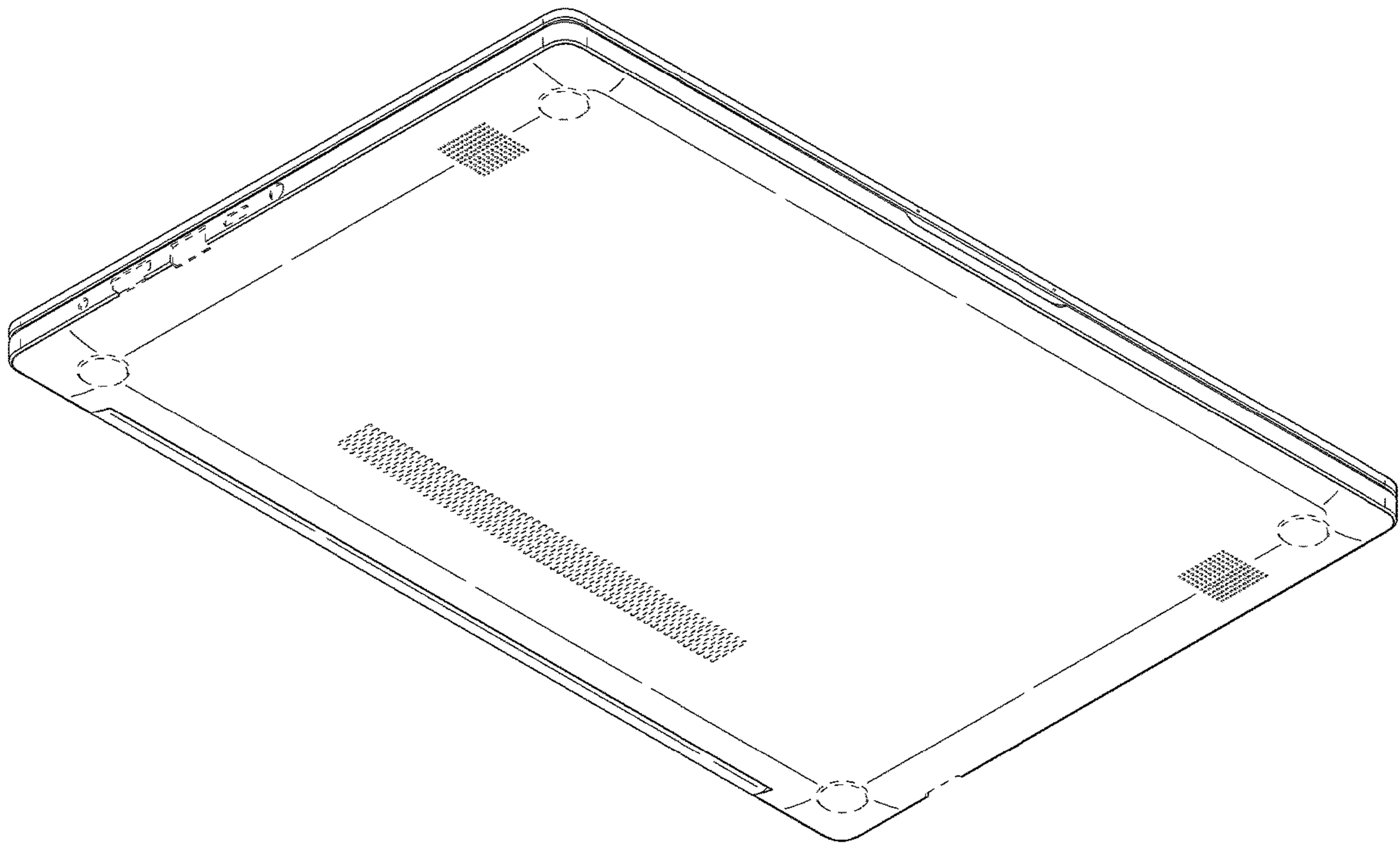


FIG.9

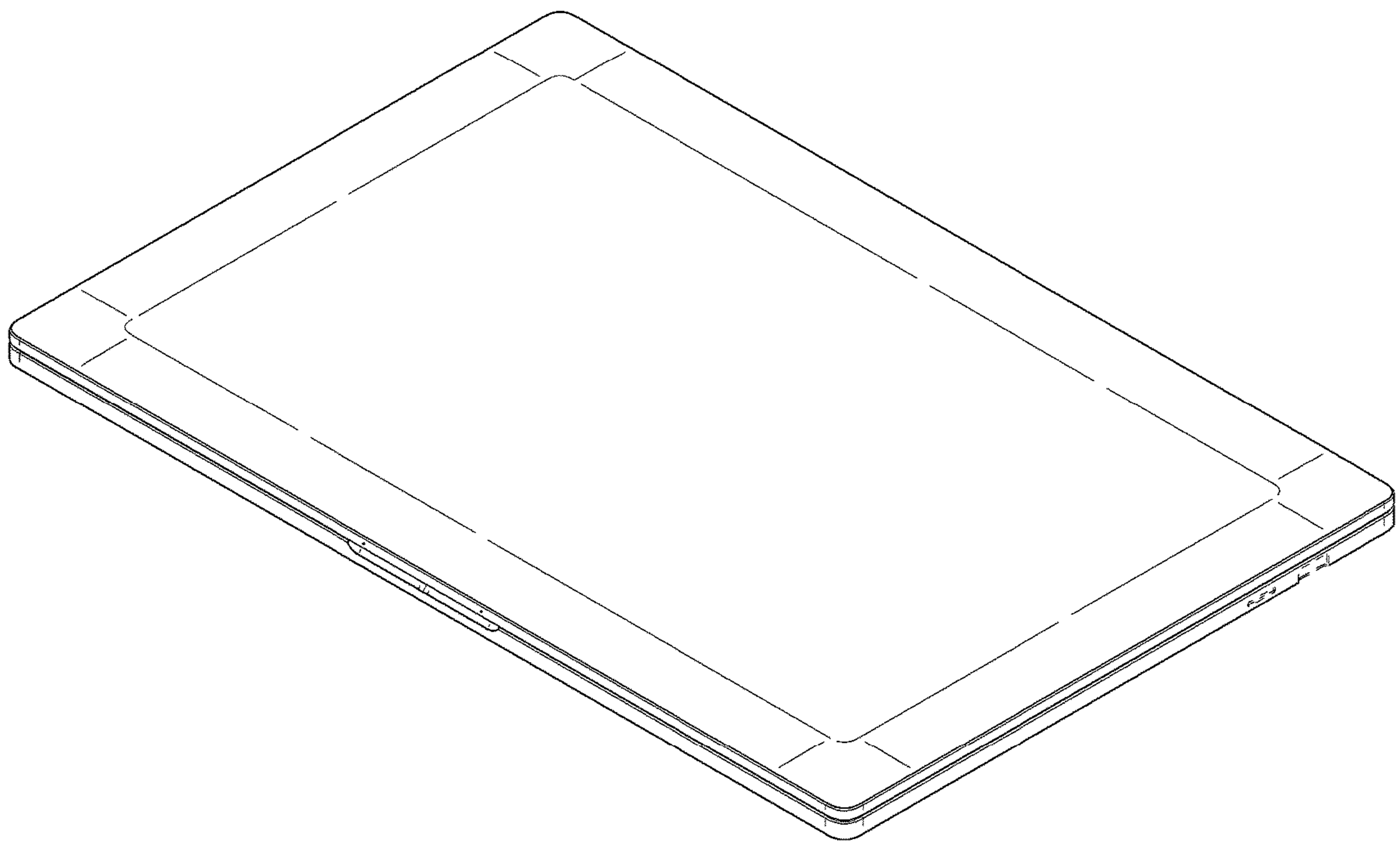


FIG.10

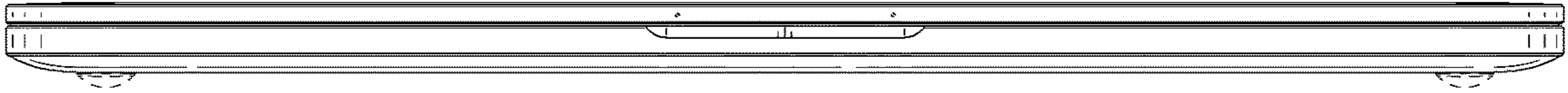


FIG.11

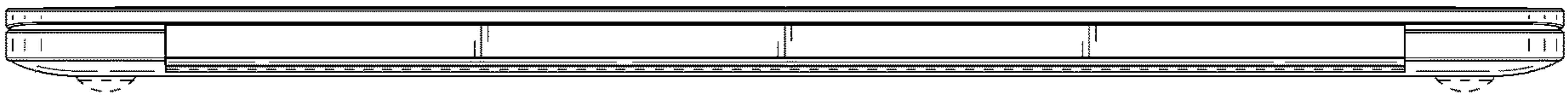


FIG.12



FIG.13

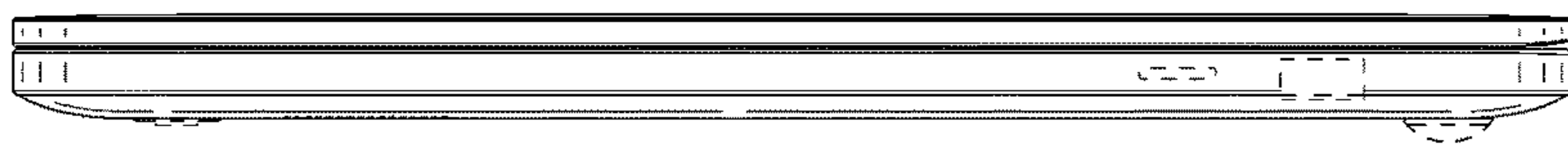


FIG. 14



FIG. 15



FIG.16

