



US00D969124S

(12) **United States Design Patent**  
**Bobyn et al.**

(10) **Patent No.:** **US D969,124 S**  
(45) **Date of Patent:** **\*\* \*Nov. 8, 2022**

(54) **SHUFFLE FOR CONNECTING NODES IN A DIRECT INTERCONNECT NETWORK**

H04L 2012/5619; H04L 2012/6443;  
H04L 29/12952; H04L 61/6077; H04L  
49/90

(71) Applicant: **ROCKPORT NETWORKS INC.,**  
Kanata (CA)

See application file for complete search history.

(72) Inventors: **John Bobyn, Kanata (CA); Azim Jaffer, Kanata (CA); Richard Glenn Kusyk, Ottawa (CA); Paul Muysson, Carleton Place (CA); Matthew Robert Williams, Kanata (CA)**

(56) **References Cited**

U.S. PATENT DOCUMENTS

D272,819	S	*	2/1984	Bean	.....	D13/162
D278,522	S	*	4/1985	Hardesty	.....	D13/164
D287,243	S	*	12/1986	Tope	.....	D13/164
4,819,235	A	*	4/1989	Kelly	.....	H04M 3/36 379/1.01
D327,689	S	*	7/1992	Johnson	.....	D14/217
D328,593	S	*	8/1992	Hutton	.....	D13/184
D329,425	S	*	9/1992	Hutton	.....	D13/184

(Continued)

(\*) Notice: This patent is subject to a terminal disclaimer.

(\*\*) Term: **15 Years**

*Primary Examiner* — Marie D. Fast Horse

(21) Appl. No.: **29/741,777**

(74) *Attorney, Agent, or Firm* — Gregory Smith

(22) Filed: **Jul. 15, 2020**

(30) **Foreign Application Priority Data**

Jun. 19, 2020 (CA) ..... CA 196393

(51) **LOC (13) Cl.** ..... **14-02**

(52) **U.S. Cl.**  
USPC ..... **D14/313; D14/140.4**

(58) **Field of Classification Search**  
USPC ..... D14/188, 195, 197, 198, 203.1, 203.6, D14/204, 240, 242, 299, 125, 140, 140.1, D14/140.4, 142, 155, 168, 496, 300, 302, D14/308, 313, 348, 351, 388, 356, 357, D14/358, 361, 362, 363, 365, 367, 370, D14/432, 439, 440, 441, 443; D13/103, D13/107, 108, 123, 124, 152, 158, 162, D13/162.1, 163, 184, 199, 147; D10/46, D10/49, 104.1, 106.6, 116.1, 61, 64, 75, D10/106.9  
CPC ... H03F 3/00; H03F 3/45; H03F 3/181; H03F 3/189; H03F 3/20; H03F 1/00; H03F 1/08; H03F 1/18; H04L 49/1592; H04L 9/0855; H04L 12/40006; H04L 12/40195;

(57) **CLAIM**

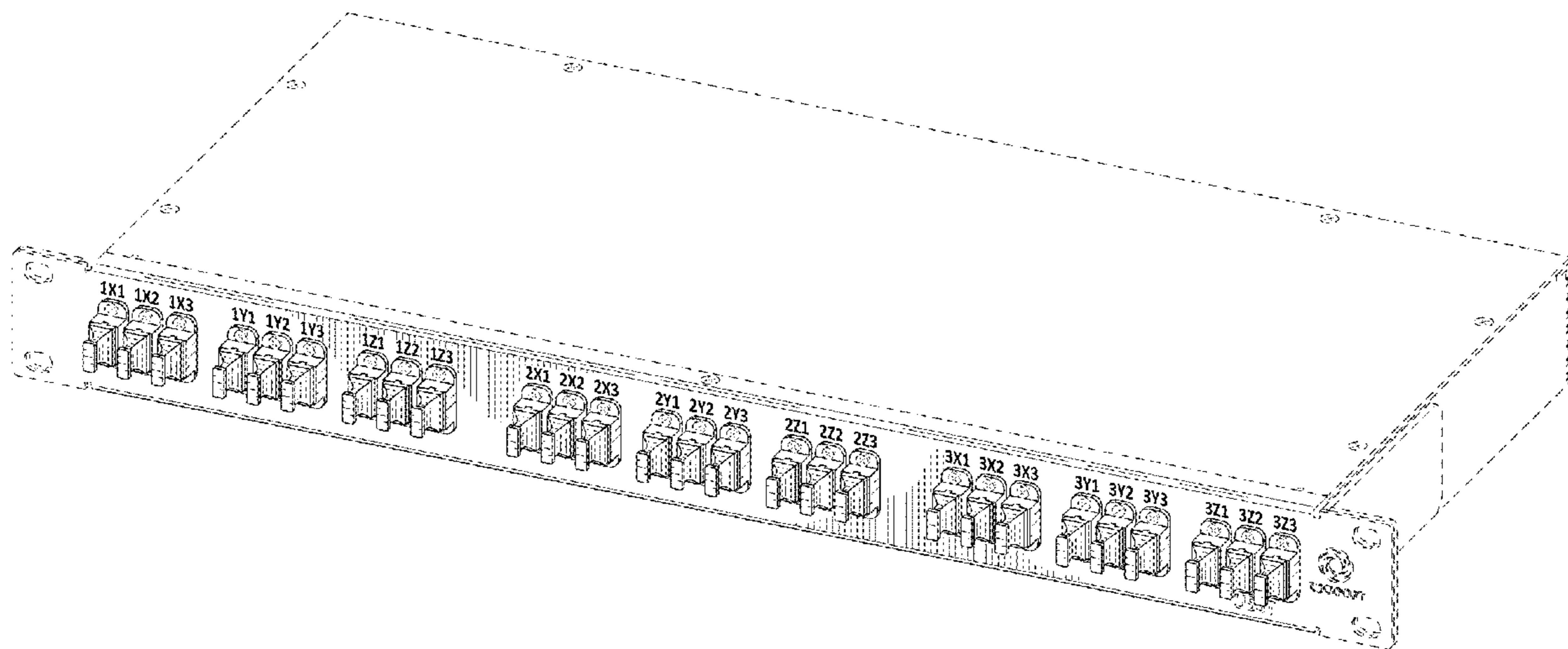
The ornamental design for a shuffle for connecting nodes in a direct interconnect network, as shown and described.

**DESCRIPTION**

FIG. 1 is an upper, right side perspective view of a shuffle for connecting nodes in a direct interconnect network; FIG. 2 is a lower, left side perspective view thereof; FIG. 3 is a front side view thereof; FIG. 4 is a back side view thereof; FIG. 5 is a left side view thereof; FIG. 6 is a right side view thereof; FIG. 7 is a top plan view thereof; and, FIG. 8 is a bottom plan view thereof.

The broken lines shown in the drawings depict portions of the shuffle for connecting nodes in a direct interconnect network that form no part of the claimed design. The shade lines indicate the character and contour of the surfaces represented, not to be confused with surface ornamentation.

**1 Claim, 6 Drawing Sheets**



(56)

References Cited

U.S. PATENT DOCUMENTS

D329,426 S \* 9/1992 Hutton ..... D13/184  
 D330,702 S \* 11/1992 Hutton ..... D13/184  
 D349,503 S \* 8/1994 Roy ..... D14/140.4  
 D371,555 S \* 7/1996 Shushurin ..... D14/188  
 D376,360 S \* 12/1996 Teulie ..... D14/188  
 D383,139 S \* 9/1997 Hill ..... D14/242  
 D384,644 S \* 10/1997 Chung ..... D13/162  
 D385,532 S \* 10/1997 Watanabe ..... D13/184  
 D405,092 S \* 2/1999 Ohshima ..... D13/147  
 D451,883 S \* 12/2001 Reynolds ..... D13/110  
 D452,475 S \* 12/2001 Reynolds ..... D13/110  
 D455,422 S \* 4/2002 Bath ..... D14/301  
 D465,216 S \* 11/2002 Zdinak ..... D14/140.4  
 D465,782 S \* 11/2002 Johnsen ..... D14/140.4  
 D466,111 S \* 11/2002 Johnsen ..... D14/140.4  
 D475,705 S \* 6/2003 Coglitore ..... D14/356  
 D476,986 S \* 7/2003 Andre ..... D14/313  
 D477,570 S \* 7/2003 Zdinak ..... D14/240  
 D481,366 S \* 10/2003 Lee ..... D14/313  
 D493,152 S \* 7/2004 Baker ..... D13/182  
 D494,966 S \* 8/2004 Andre ..... D14/441  
 D542,284 S \* 5/2007 Kim ..... D14/140.7  
 D559,186 S \* 1/2008 Kelmer ..... D13/147  
 D564,510 S \* 3/2008 Cox ..... D14/313  
 D567,211 S \* 4/2008 Horinouchi ..... D14/188  
 D591,745 S \* 5/2009 Lee ..... D14/357  
 D635,561 S \* 4/2011 Nakashima ..... D14/240

D673,570 S \* 1/2013 Wallace ..... D14/444  
 D710,821 S \* 8/2014 Marklund ..... D14/188  
 D719,128 S \* 12/2014 Teulie ..... D14/188  
 D722,060 S \* 2/2015 Kwon ..... D14/445  
 D722,588 S \* 2/2015 Boyd ..... D14/188  
 D724,558 S \* 3/2015 Bast ..... D14/188  
 D730,307 S \* 5/2015 Tang ..... D14/125  
 D754,096 S \* 4/2016 Teulie ..... D14/188  
 D767,545 S \* 9/2016 Jeon ..... D14/240  
 D767,546 S \* 9/2016 Kwak ..... D14/240  
 D785,616 S \* 5/2017 Zimmermann ..... D14/313  
 D788,066 S \* 5/2017 Williamson ..... D14/188  
 D795,244 S \* 8/2017 Zimmermann ..... D14/313  
 D798,171 S \* 9/2017 Blier ..... D10/75  
 D807,857 S \* 1/2018 Corten ..... D14/188  
 D820,234 S \* 6/2018 Desmond ..... D14/140.4  
 D835,092 S \* 12/2018 Fu ..... D14/301  
 D863,250 S \* 10/2019 Liu ..... D14/188  
 D886,752 S \* 6/2020 Xiang ..... D14/313  
 D895,561 S \* 9/2020 Xiang ..... D14/313  
 D896,191 S \* 9/2020 Xiang ..... D14/313  
 D929,360 S \* 8/2021 Fouché ..... D14/188  
 D932,494 S \* 10/2021 Vozzi ..... D14/441  
 D933,666 S \* 10/2021 Vozzi ..... D14/441  
 D937,234 S \* 11/2021 Xiang ..... D14/313  
 D937,235 S \* 11/2021 Xiang ..... D13/133  
 D937,236 S \* 11/2021 Xiang ..... D14/313  
 2009/0245746 A1 \* 10/2009 Krampotich ..... G02B 6/4452  
 385/135

\* cited by examiner

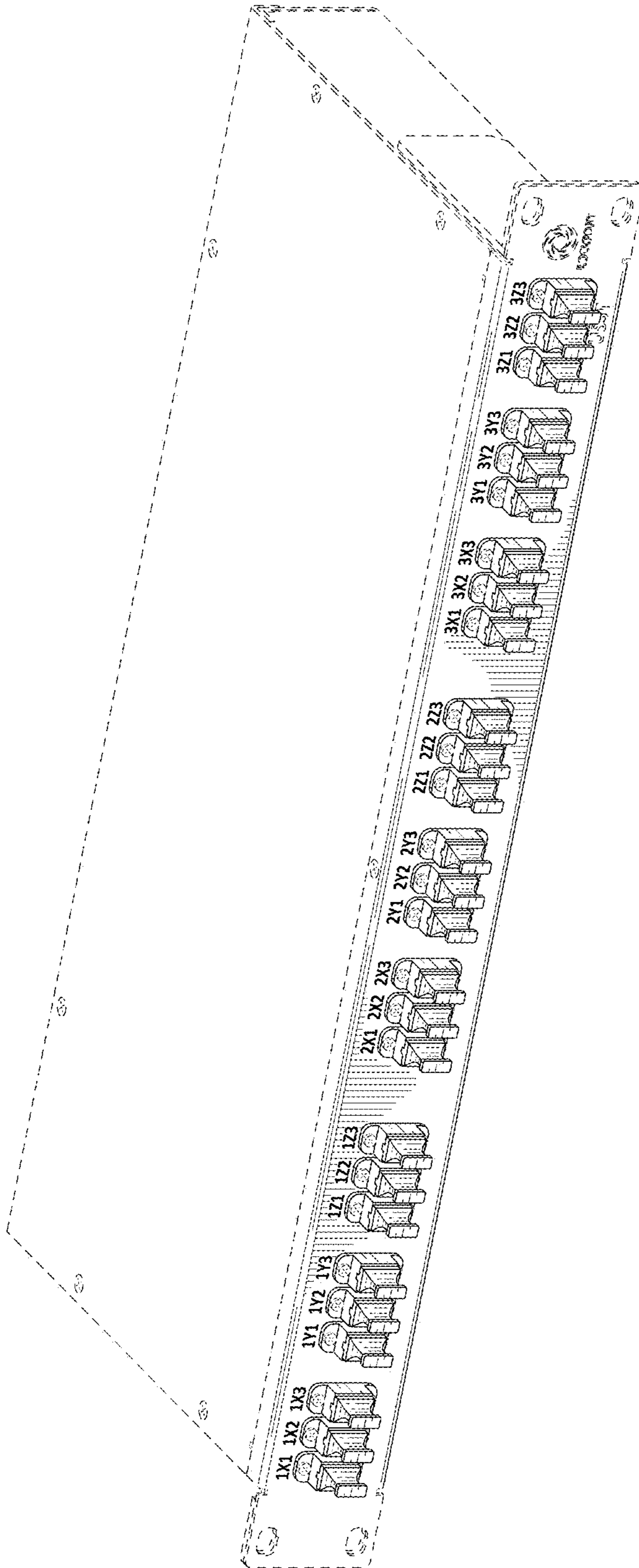


FIG. 1

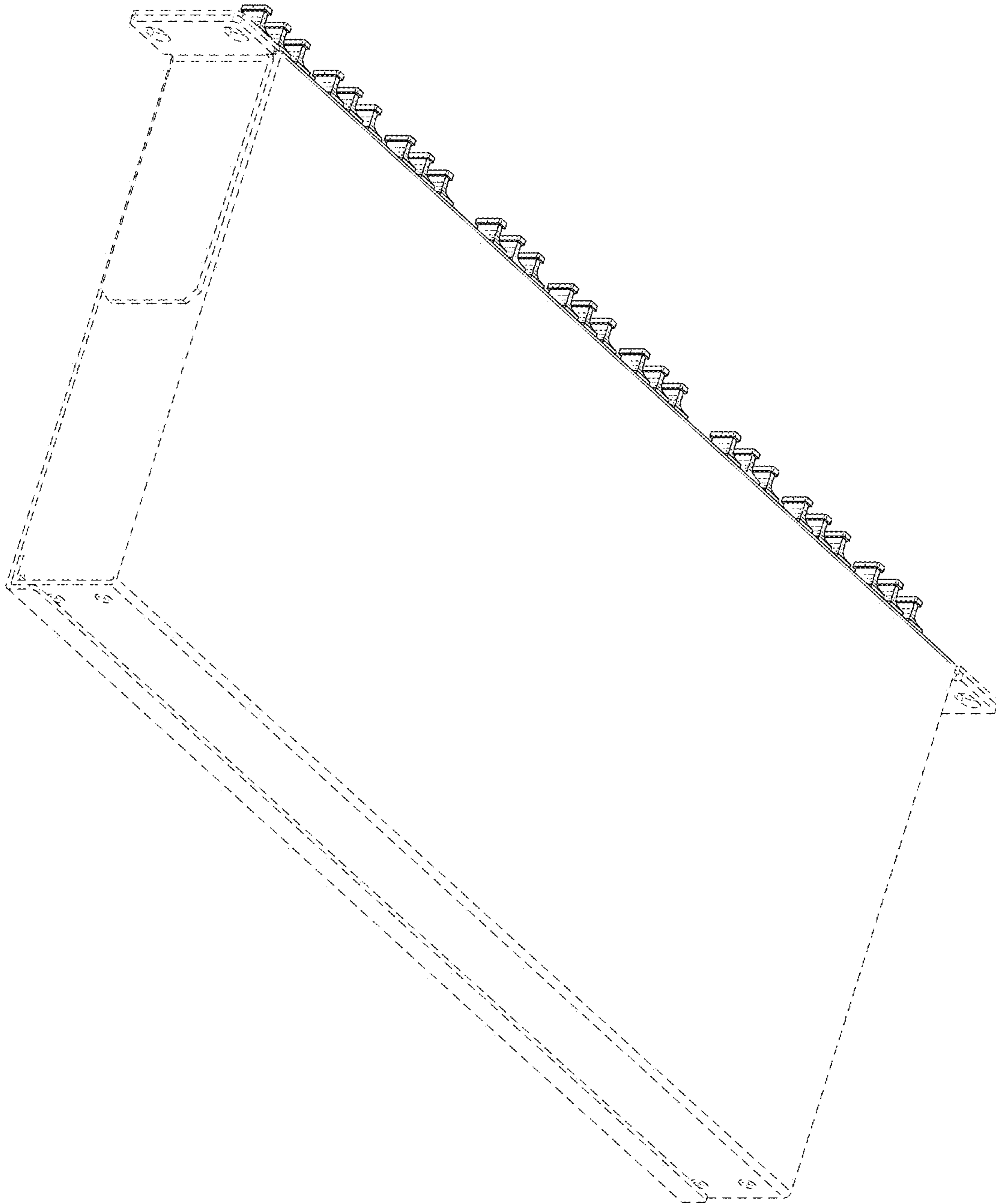


FIG. 2

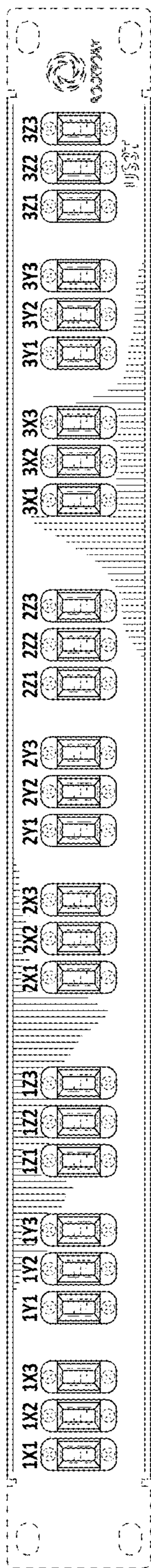


FIG. 3



FIG. 4

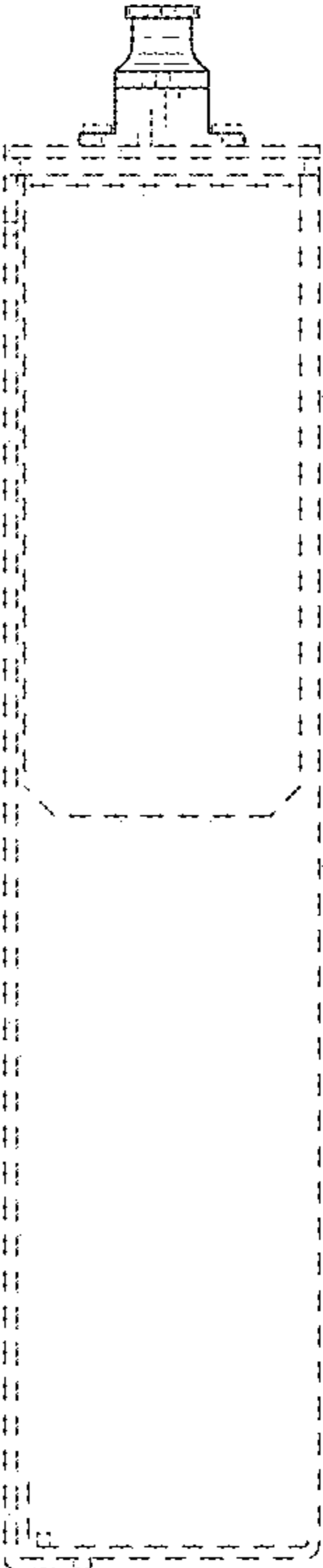


FIG. 5

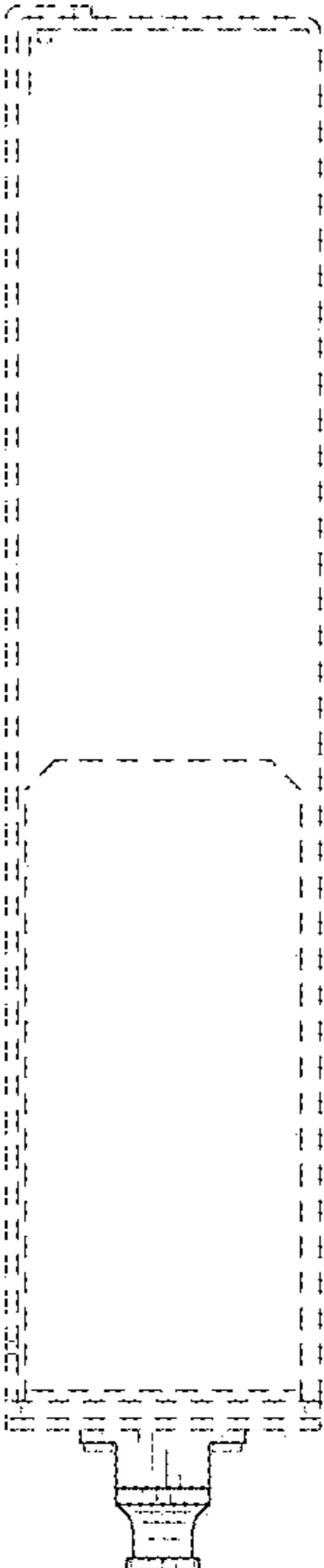


FIG. 6

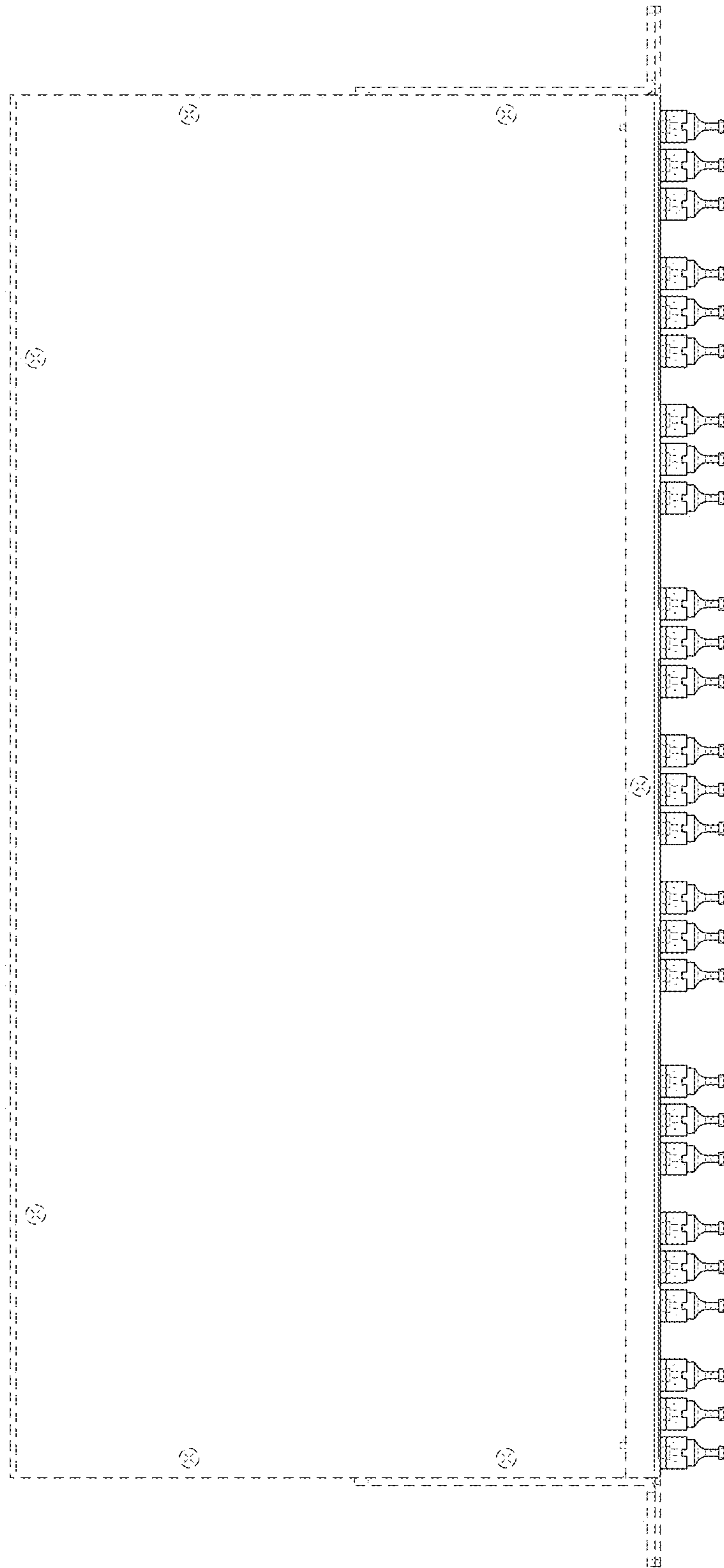


FIG. 7

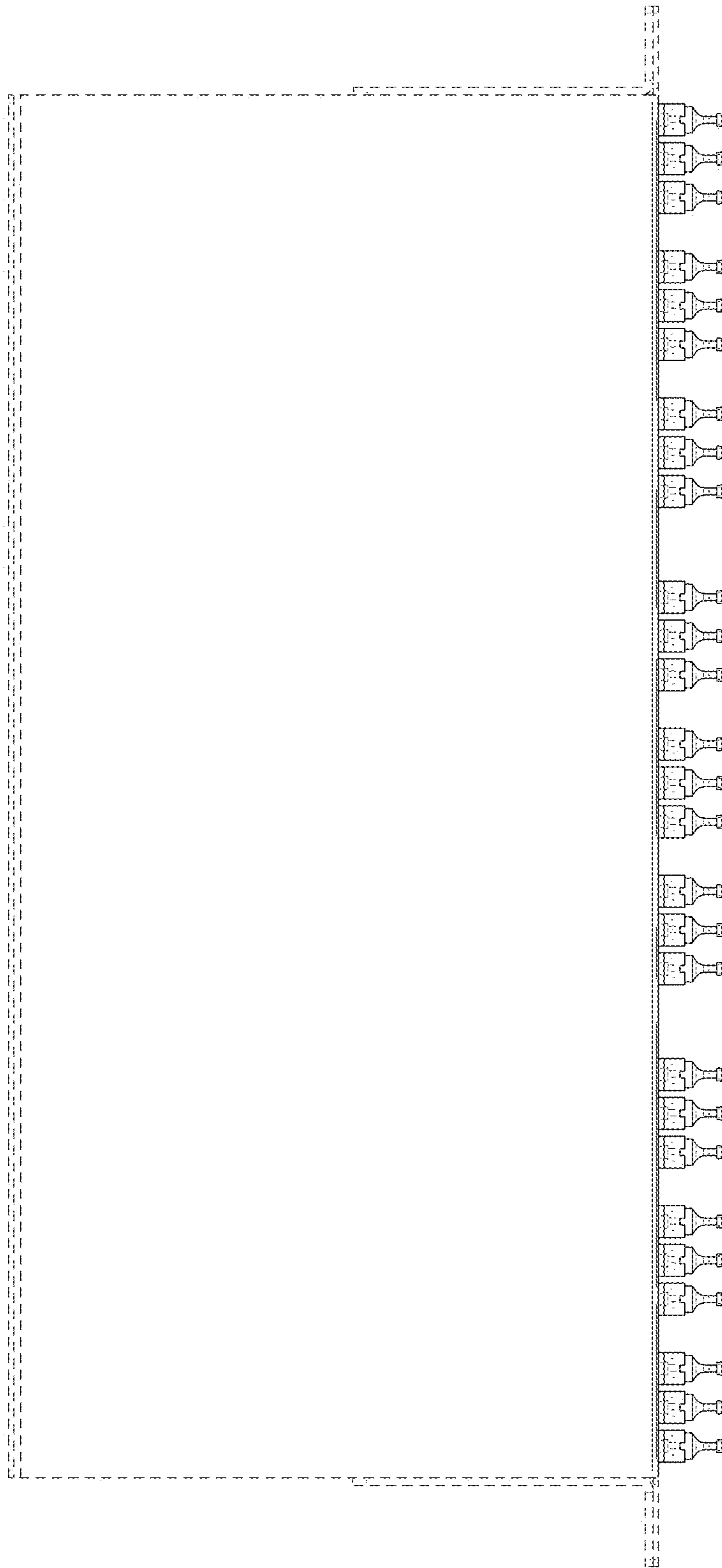


FIG. 8