

US00D969121S

(12) **United States Design Patent** (10) **Patent No.:** **US D969,121 S**
Son et al. (45) **Date of Patent:** **** Nov. 8, 2022**

(54) **CASE FOR ELECTRONIC DEVICE**

(71) Applicant: **Samsung Electronics Co., Ltd.**,
Suwon-si (KR)

(72) Inventors: **Jong-Deuk Son**, Suwon-si (KR);
Hyun-Keun Son, Suwon-si (KR);
Bum-Soo Park, Suwon-si (KR);
Bo-Soon Kang, Suwon-si (KR)

(73) Assignee: **Samsung Electronics Co., Ltd.**,
Suwon-si (KR)

(**) Term: **15 Years**

(21) Appl. No.: **29/771,756**

(22) Filed: **Feb. 25, 2021**

(30) **Foreign Application Priority Data**

Jan. 28, 2021 (KR) 30-2021-0004521

(51) **LOC (13) Cl.** **14-03**

(52) **U.S. Cl.**
USPC **D14/250**

(58) **Field of Classification Search**
USPC D14/203.3–203.7, 439, 447, 251–253,
D14/217, 240, 238.1, 440, 248, 250;
D13/103, 107–108, 119; D3/201, 218,
D3/247, 249, 269, 273, 301, 303, 294
CPC H04B 1/3888; A45C 11/00; A45C 13/02;
A45C 2011/002; A45C 1/06; A45F
2200/0525; A45F 2005/026; A45F
2200/0516; H04M 1/0283; H04M 1/0202
See application file for complete search history.

(56) **References Cited**

U.S. PATENT DOCUMENTS

D638,006 S * 5/2011 Chang D14/250
D648,332 S * 11/2011 Kim D14/248
D659,691 S * 5/2012 Kim D14/250

D694,742 S * 12/2013 Pan D14/250
D696,865 S * 1/2014 Morszeck D3/301
D762,204 S * 7/2016 Armstrong D14/250
D776,105 S * 1/2017 Han D14/250
D795,237 S * 8/2017 Jung D13/108
D851,080 S * 6/2019 Wei D14/250
D861,665 S * 10/2019 Li D14/250
D883,989 S * 5/2020 Cheng D14/440
D888,660 S * 6/2020 Jen D13/103
D890,156 S * 7/2020 Kim D14/250
D894,886 S * 9/2020 Kim D14/250
D898,016 S * 10/2020 Liang D14/250
D902,912 S * 11/2020 Kim D14/250
D903,650 S * 12/2020 Huang D14/250

(Continued)

Primary Examiner — Carla J Wright

(74) *Attorney, Agent, or Firm* — NSIP Law

(57) **CLAIM**

We claim the ornamental design for a case for electronic device, as shown and described.

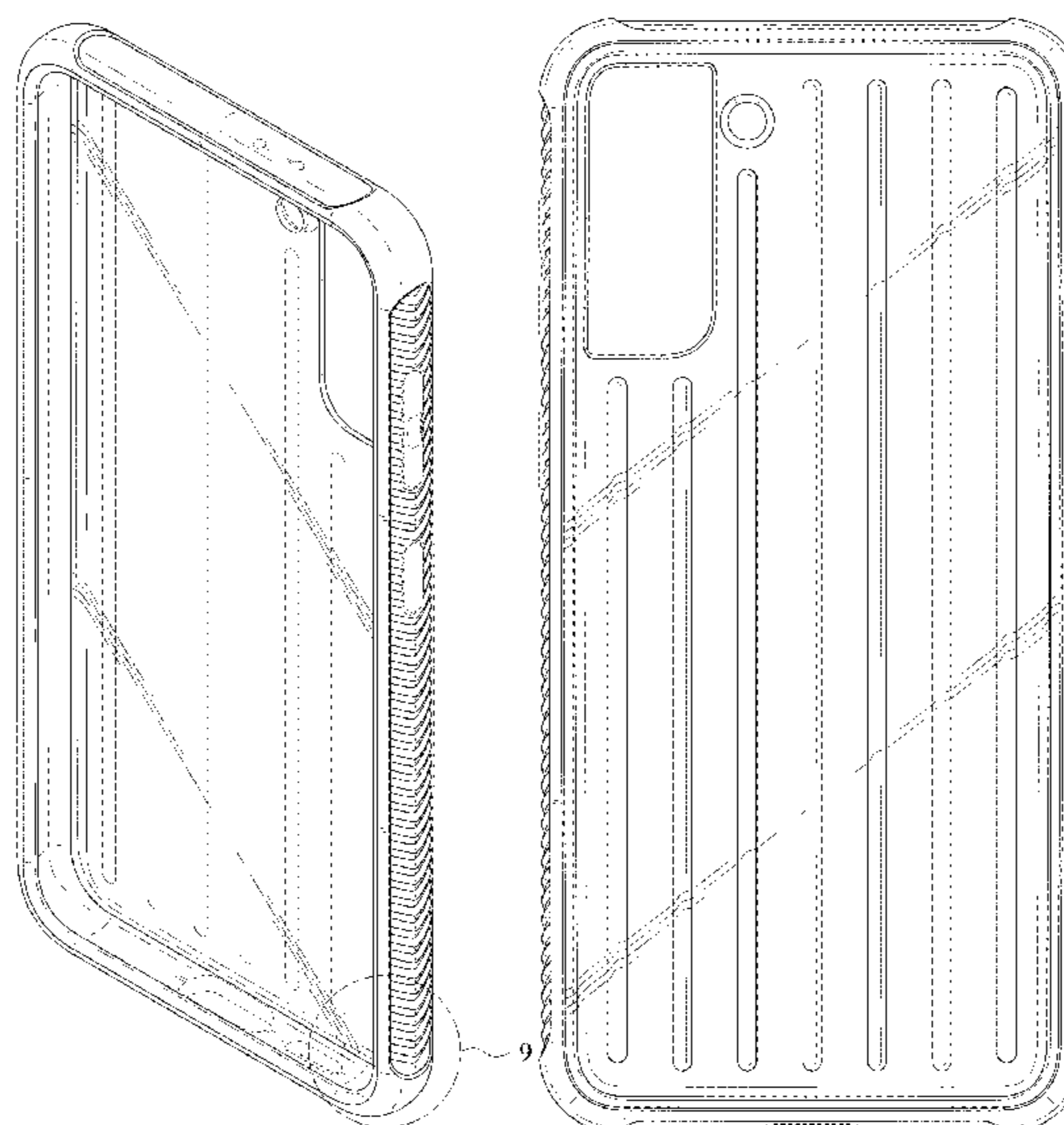
DESCRIPTION

FIG. 1 is a front perspective view of a case for electronic device showing our new design;
FIG. 2 is a front view thereof;
FIG. 3 is a rear view thereof;
FIG. 4 is a left-side view thereof;
FIG. 5 is a right-side view thereof;
FIG. 6 is a top view thereof;
FIG. 7 is a bottom view thereof;
FIG. 8 is a rear perspective view thereof; and,
FIG. 9 is an enlarged view of the encircled portion in FIG. 1.

The evenly dashed broken lines in the figures depict portions of the case for electronic device which form no part of the claimed design.

The dot-dash broken lines encircling portions of the claimed design that are illustrated in enlargements form no part of the claimed design.

1 Claim, 9 Drawing Sheets



(56)

References Cited

U.S. PATENT DOCUMENTS

D904,382	S	*	12/2020	Kim	D14/250
D904,385	S	*	12/2020	Weng	D14/250
D912,035	S	*	3/2021	Lee	D14/250
D915,371	S	*	4/2021	Cho	D14/250
D917,446	S	*	4/2021	Ham	D14/250
D928,768	S	*	8/2021	Chung	D14/250
D929,384	S	*	8/2021	Park	D14/250
D933,055	S	*	10/2021	Dobson	D14/250
D947,829	S	*	4/2022	Choi	D14/250

* cited by examiner

FIG. 1

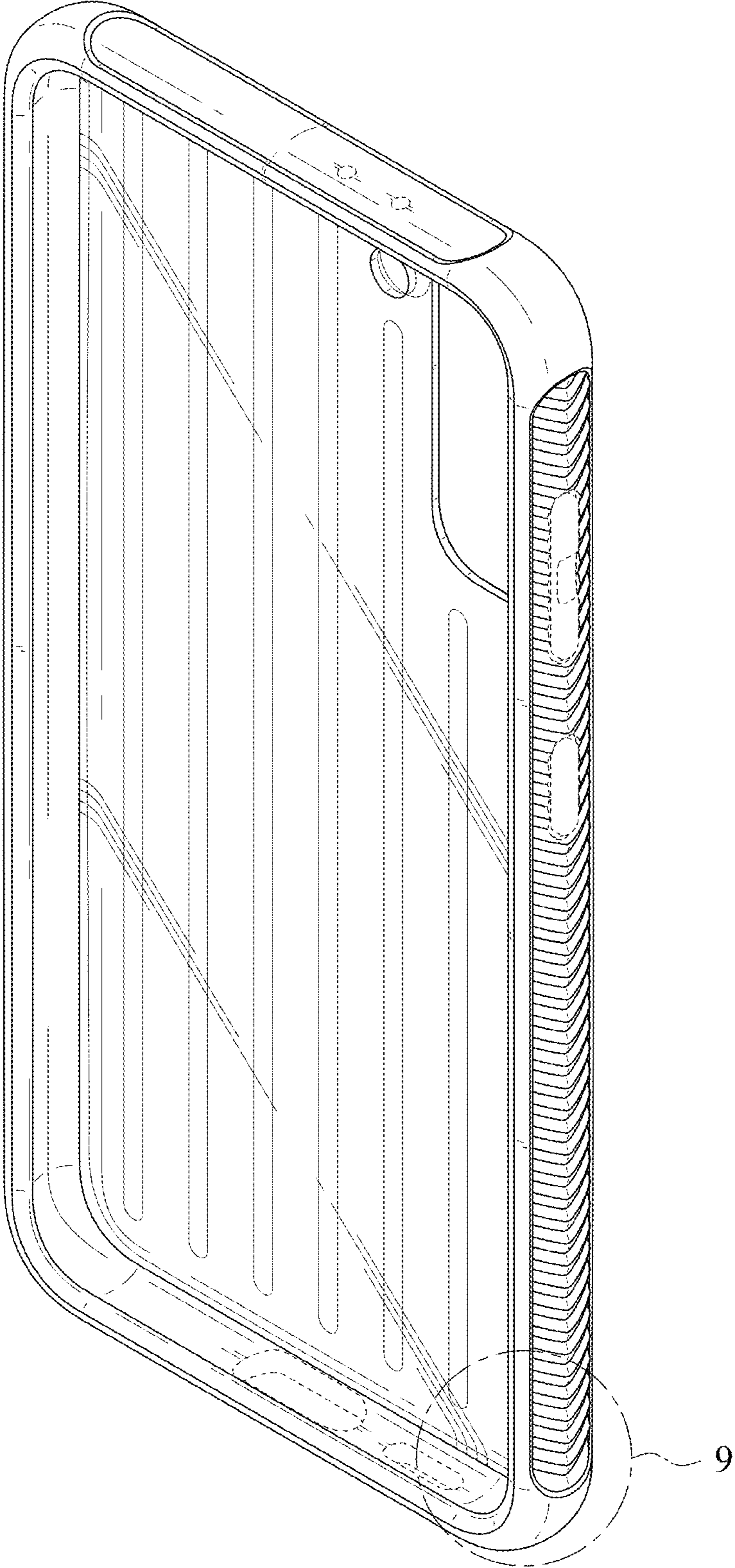


FIG. 2

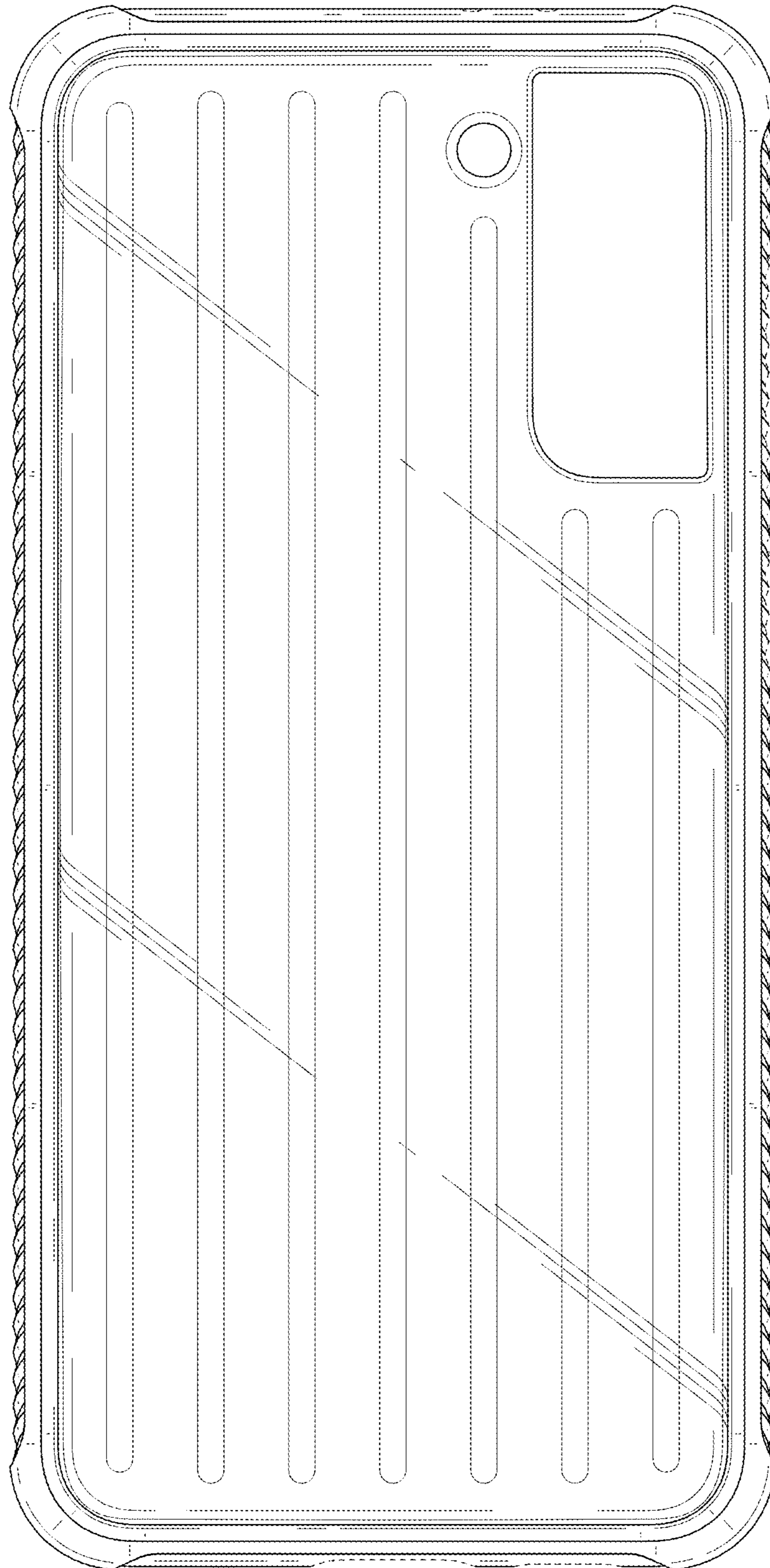


FIG. 3

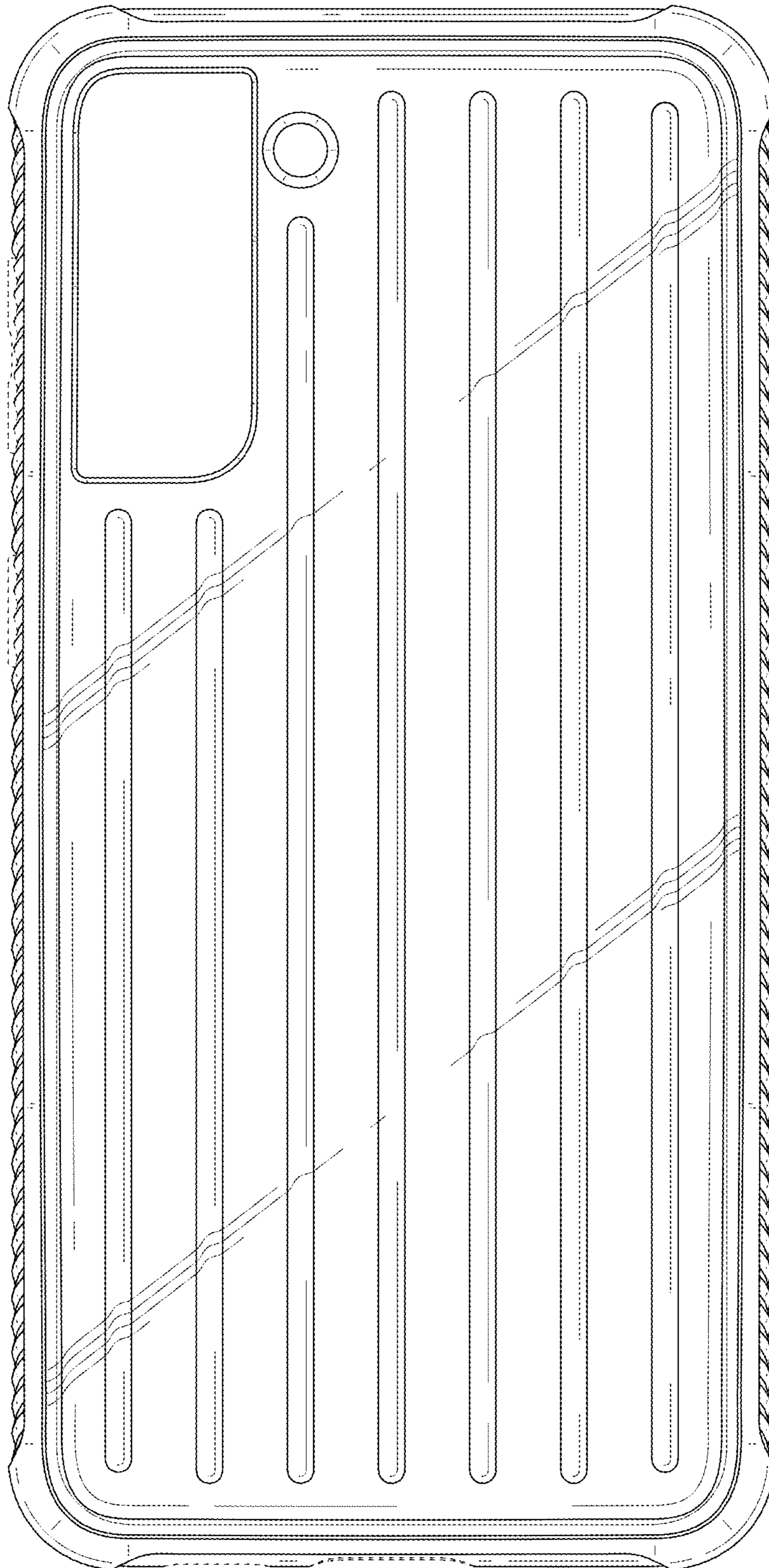


FIG. 4

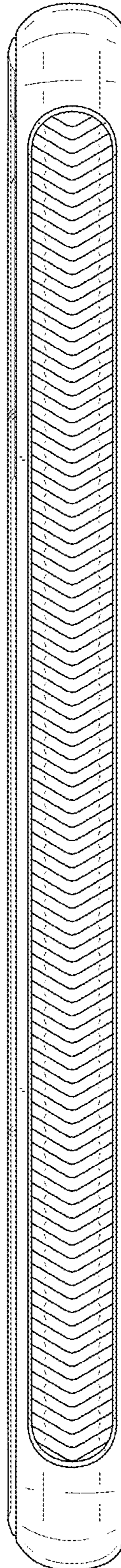


FIG. 5

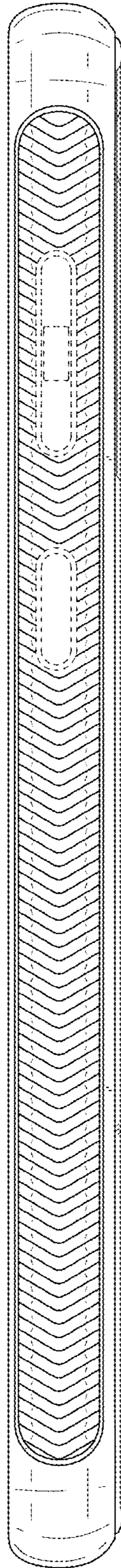


FIG. 6

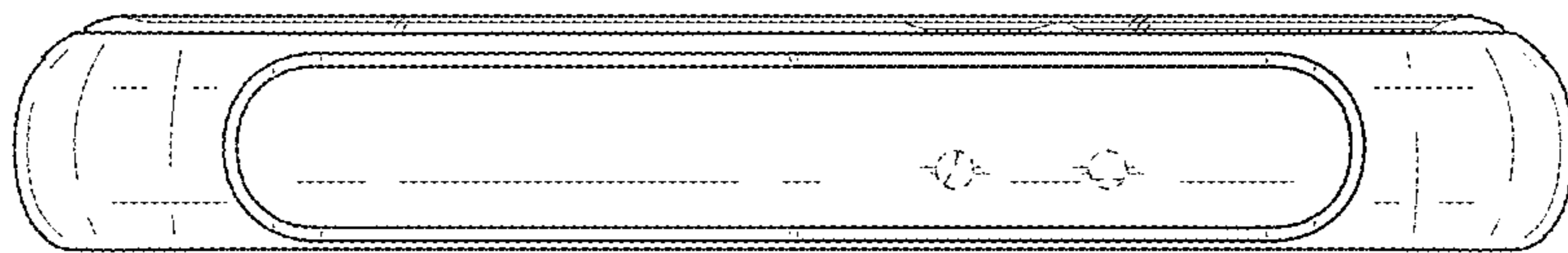


FIG. 7

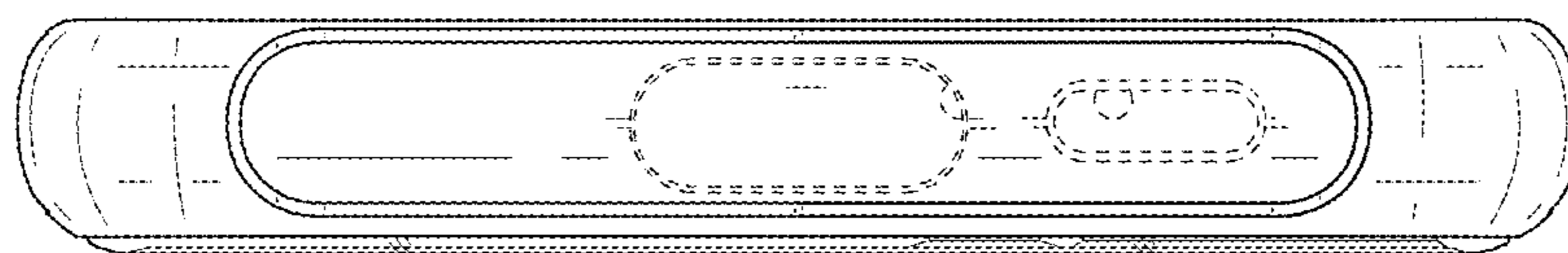


FIG. 8

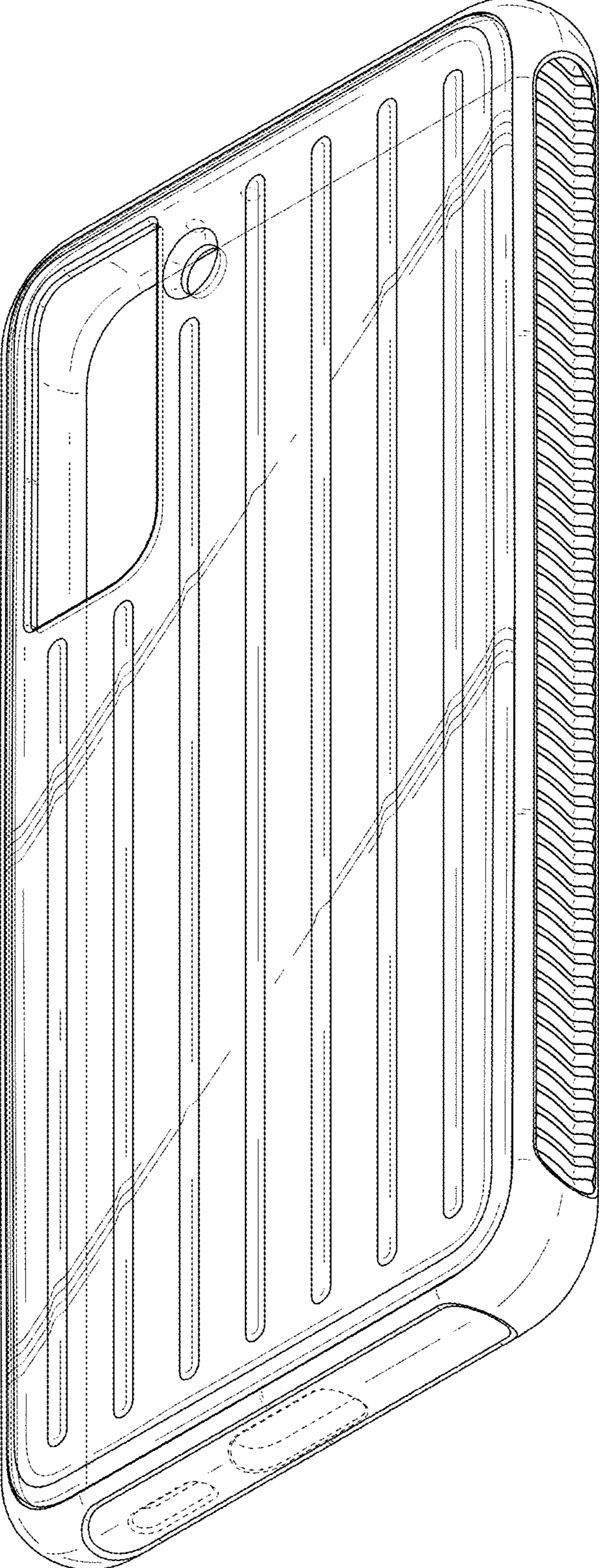


FIG. 9

