



US00D969117S

(12) **United States Design Patent** (10) **Patent No.:** **US D969,117 S**
Li (45) **Date of Patent:** **** Nov. 8, 2022**

(54) **SHOCK MOUNT**

(71) Applicant: **Dapeng Li**, Guangdong (CN)

(72) Inventor: **Dapeng Li**, Guangdong (CN)

(**) Term: **15 Years**

(21) Appl. No.: **29/749,779**

(22) Filed: **Sep. 9, 2020**

(51) **LOC (13) Cl.** **14-01**

(52) **U.S. Cl.**
USPC **D14/229**

(58) **Field of Classification Search**

USPC ... D14/150, 154, 155, 158, 160, 172, 209.1,
D14/221, 224, 225, 226, 227, 228, 229;
D17/99; D21/405, 513

CPC H04R 1/083; H04R 1/406; H04R 1/08;
H04R 19/00; H04R 19/04; F16F 7/14;
F16F 15/067

See application file for complete search history.

(56) **References Cited**

U.S. PATENT DOCUMENTS

3,592,422	A *	7/1971	Paine	F16F 15/067 248/589
D399,166	S *	10/1998	Wright	D11/130.1
6,459,802	B1 *	10/2002	Young	H04R 1/083 381/361
D705,761	S *	5/2014	McGovern, Jr.	D14/229
D706,245	S *	6/2014	McGovern, Jr.	D14/229
D707,662	S *	6/2014	Okita	D14/229
D737,254	S *	8/2015	Mun	D14/229
D739,847	S *	9/2015	Mun	D14/217
9,843,852	B2 *	12/2017	McGovern, Jr.	F16F 7/14
D850,423	S *	6/2019	Chen	D14/227

(Continued)

FOREIGN PATENT DOCUMENTS

CN	307301749	*	4/2022
CN	307309761	*	5/2022

OTHER PUBLICATIONS

MXL 57, first available Apr. 13, 2004 [online], [retrieved May 16, 2022]. Available from the Internet, URL:<https://www.amazon.com/dp/B0002NYKLU/ref=cm_sw_em_r_mt_dp_MFQFGG8XAWD2V5M424CG?_encoding=UTF8&psc=1>. (Year: 2004).*

(Continued)

Primary Examiner — Shawn T Gingrich

Assistant Examiner — Russell Carnell Smith, Jr.

(74) *Attorney, Agent, or Firm* — ScienBiziP, P.C.

(57) **CLAIM**

The ornamental design for a shock mount, as shown and described.

DESCRIPTION

FIG. 1 is a front perspective view of a shock mount, showing my design.

FIG. 2 is a rear perspective view thereof.

FIG. 3 is a front elevation view thereof.

FIG. 4 is a rear elevation view thereof.

FIG. 5 is a left side elevation view thereof.

FIG. 6 is a right side elevation view thereof.

FIG. 7 is a top plan view thereof.

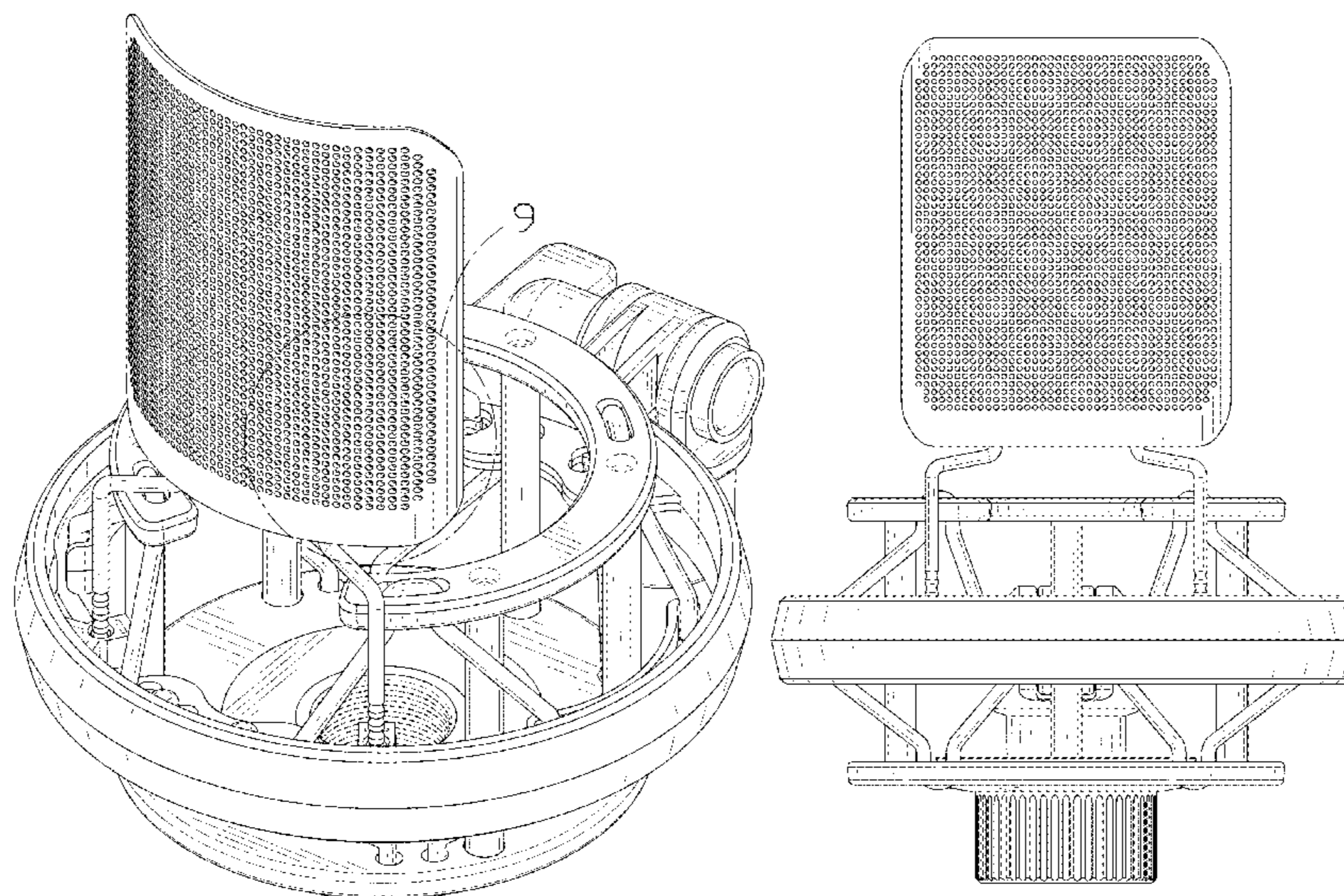
FIG. 8 is a bottom plan view thereof.

FIG. 9 is an enlarged view of an area labeled 9 in FIG. 1; and,

FIG. 10 is an enlarged view of an area labeled 10 in FIG. 2.

The evenly-dashed broken lines show portions of the shock mount that form no part of the claimed design. The evenly-dashed broken lines that are immediately adjacent to shaded areas and define unshaded regions represent boundaries to the claim. The dot-dash broken lines encircling portions of the shock mount in FIGS. 1, 2, 9, and 10 indicate that portions of the shock mount are illustrated in the enlarged FIGS. 9 and 10. The dot-dash broken lines form no part of the claimed design.

1 Claim, 10 Drawing Sheets



(56)

References Cited

U.S. PATENT DOCUMENTS

10,575,078 B2 * 2/2020 Slaton F16F 7/14
D889,443 S * 7/2020 Renwick D14/229
D901,459 S * 11/2020 Zhao D14/225
D910,604 S * 2/2021 Zheng D14/225
D929,973 S * 9/2021 Mai D14/227
D948,485 S * 4/2022 Mai D14/206
2010/0239113 A1 * 9/2010 Browne H04R 1/08
381/361
2016/0119701 A1 * 4/2016 Ikeda H04R 1/08
248/583
2019/0379960 A1 * 12/2019 Bigeh H04R 1/406

OTHER PUBLICATIONS

Boseen, first available Aug. 25, 2020 [online], [retrieved May 16, 2022]. Available from the Internet, URL:<https://www.amazon.com/dp/B08GLV9TY6/ref=cm_sw_em_r_mt_dp_DXHMZ8HS467552GPWPT9?_encoding=UTF8&psc=1>. (Year: 2020).*

* cited by examiner

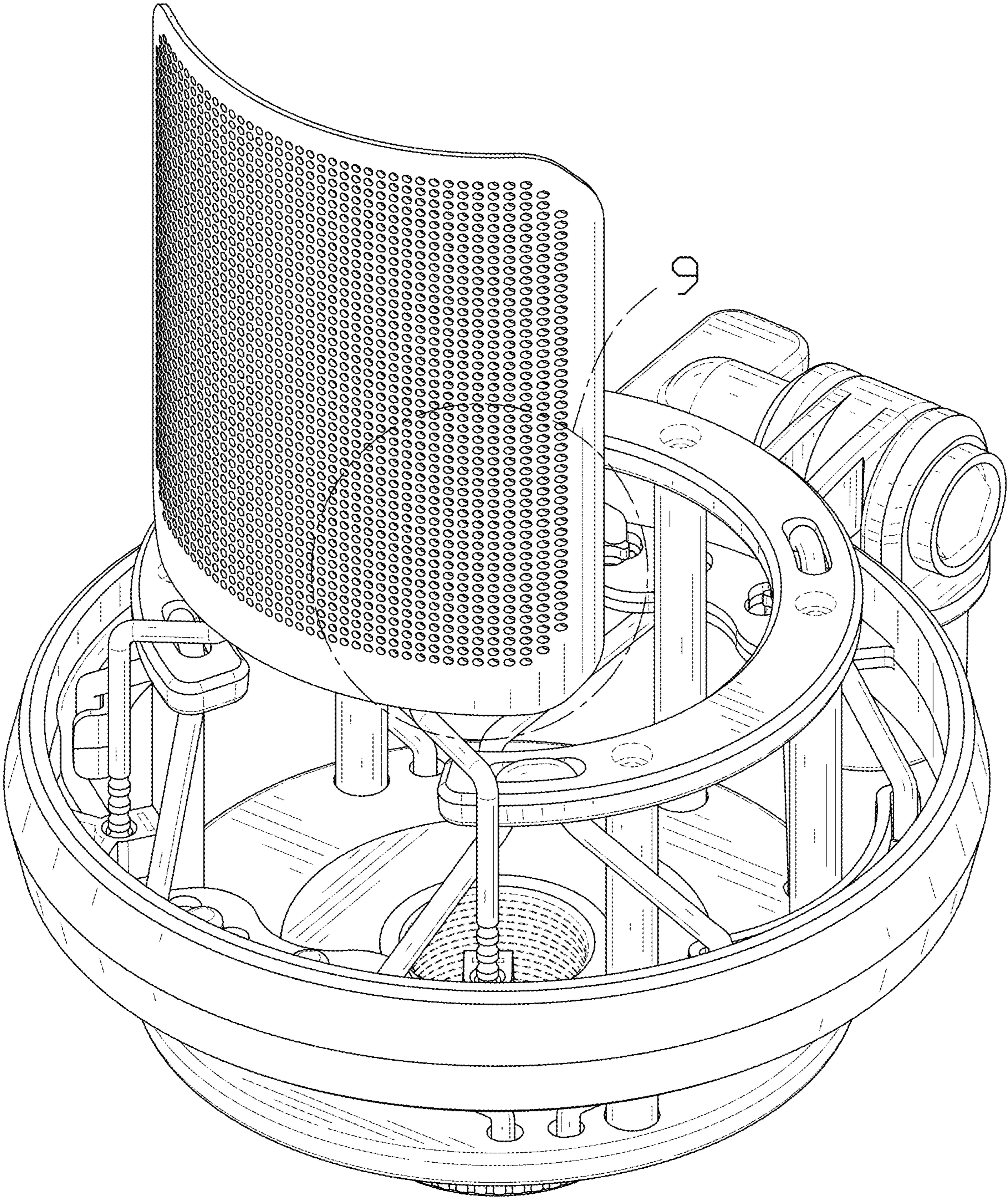


FIG. 1

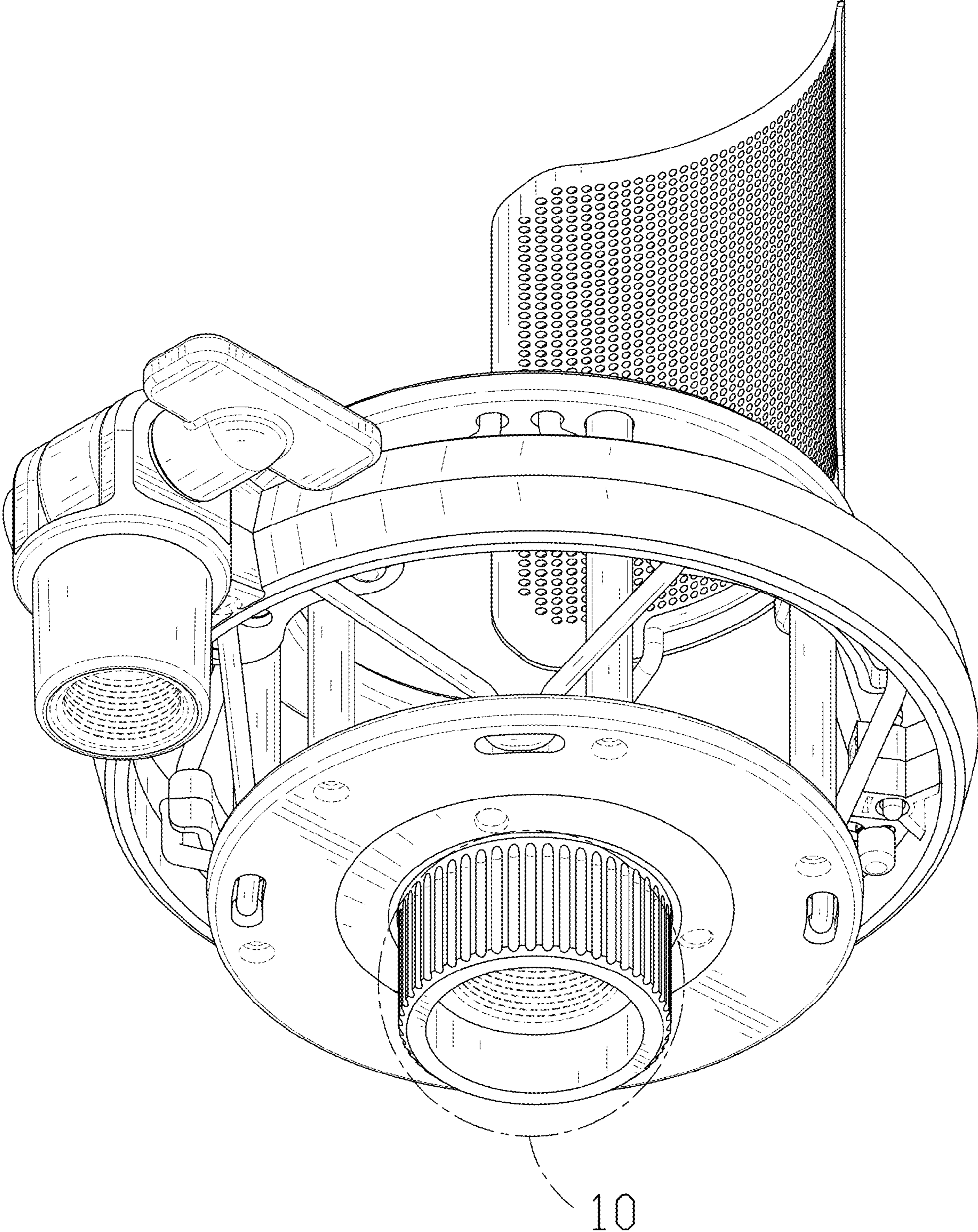


FIG. 2

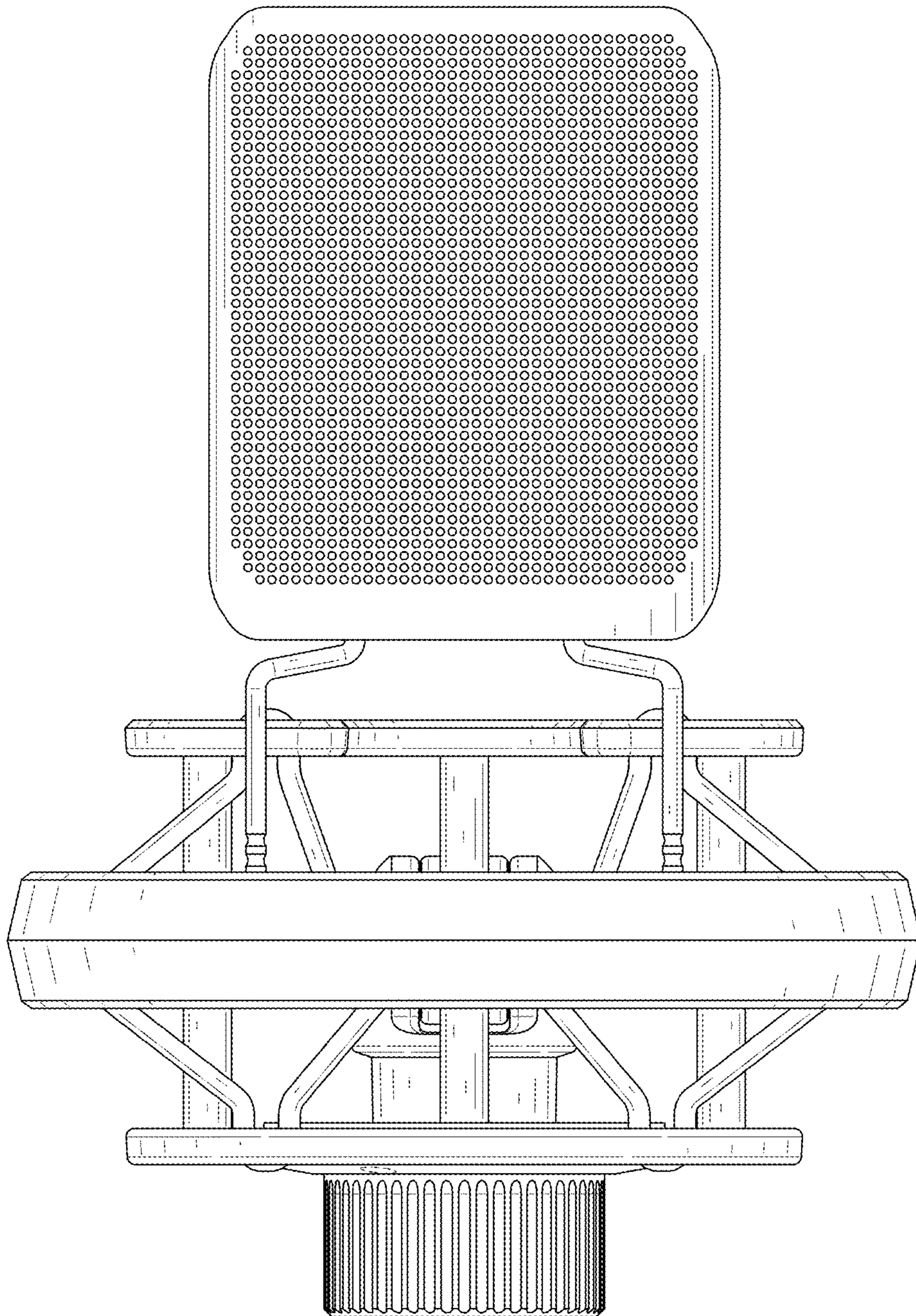


FIG. 3

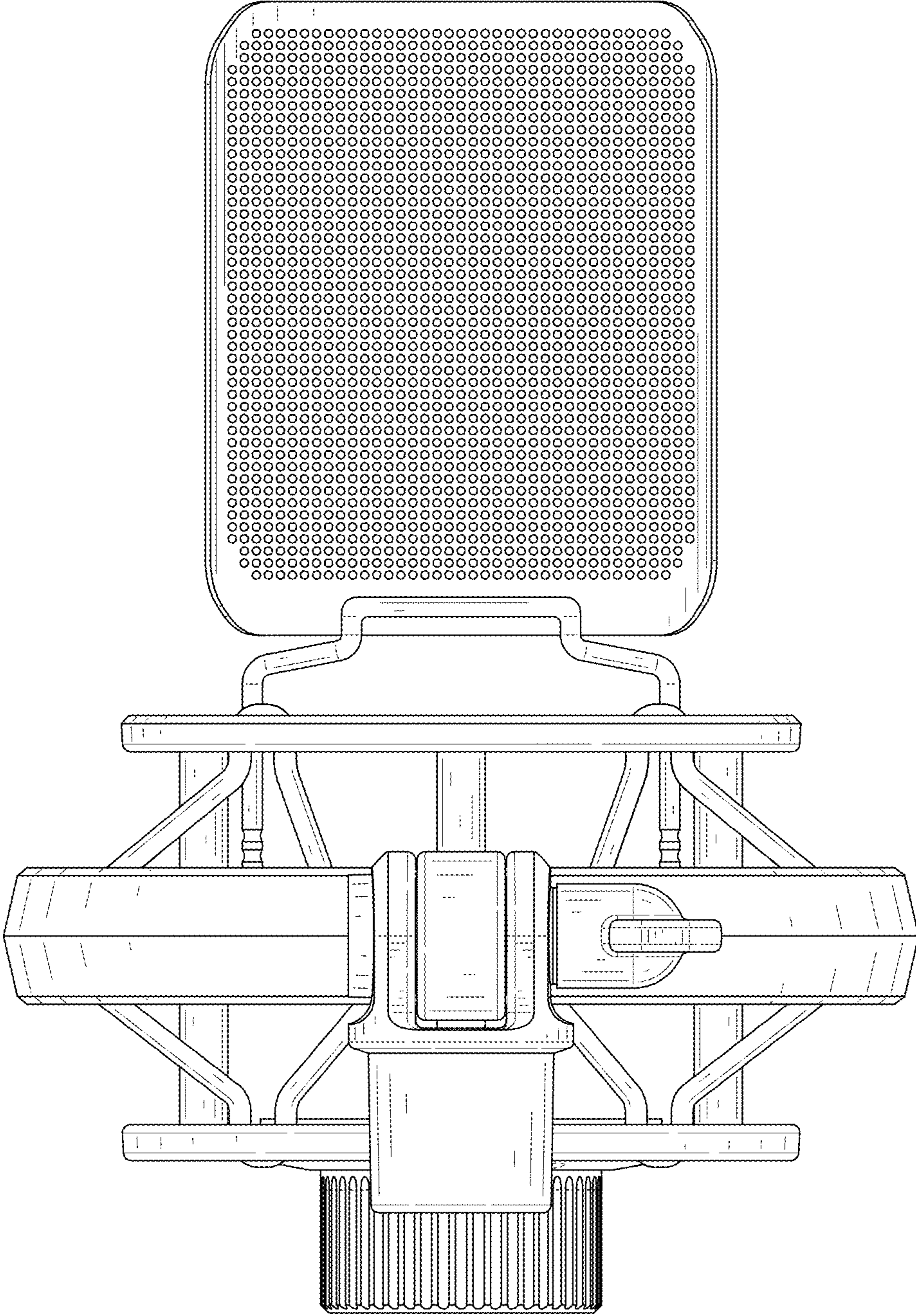


FIG. 4

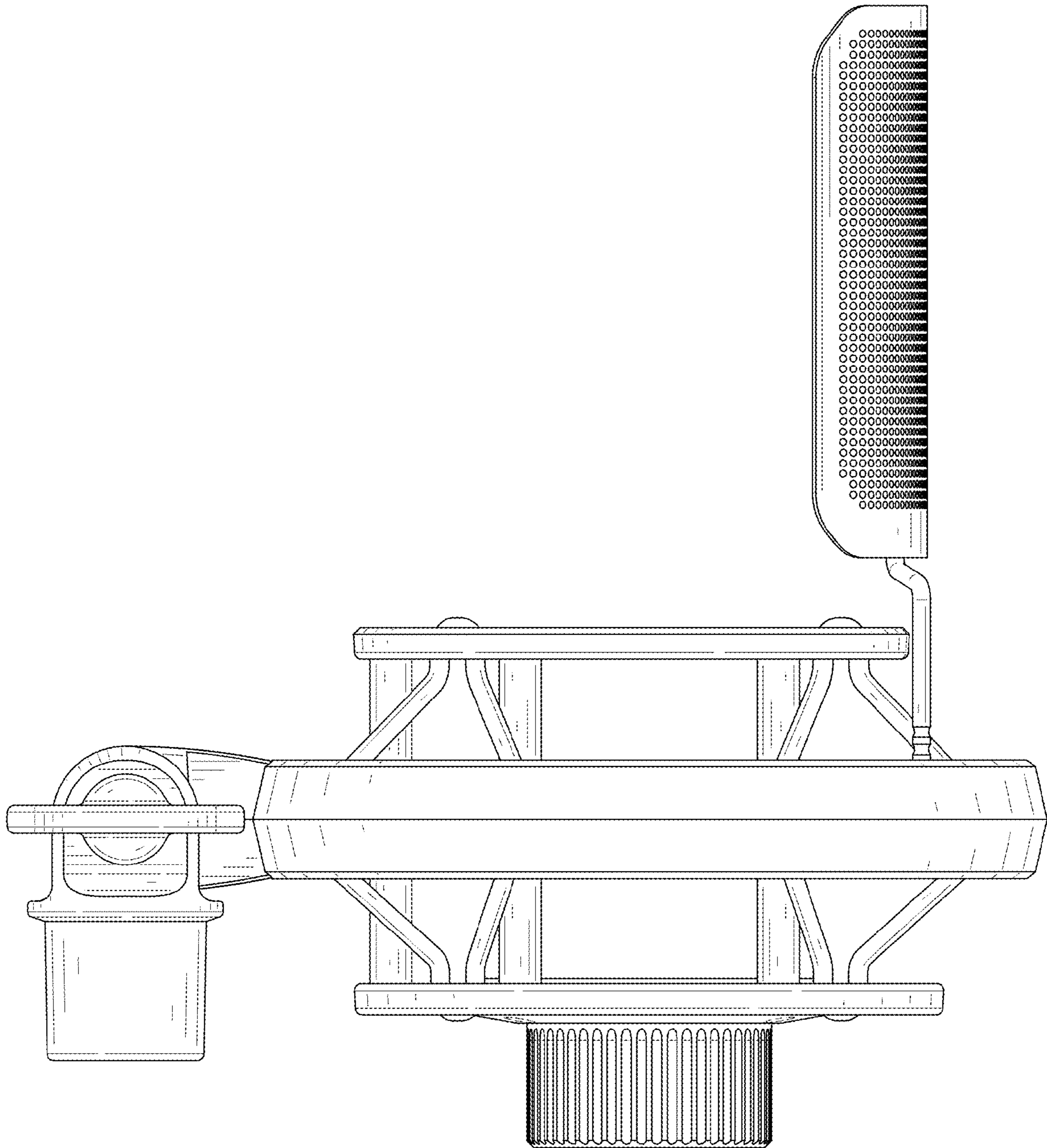


FIG. 5

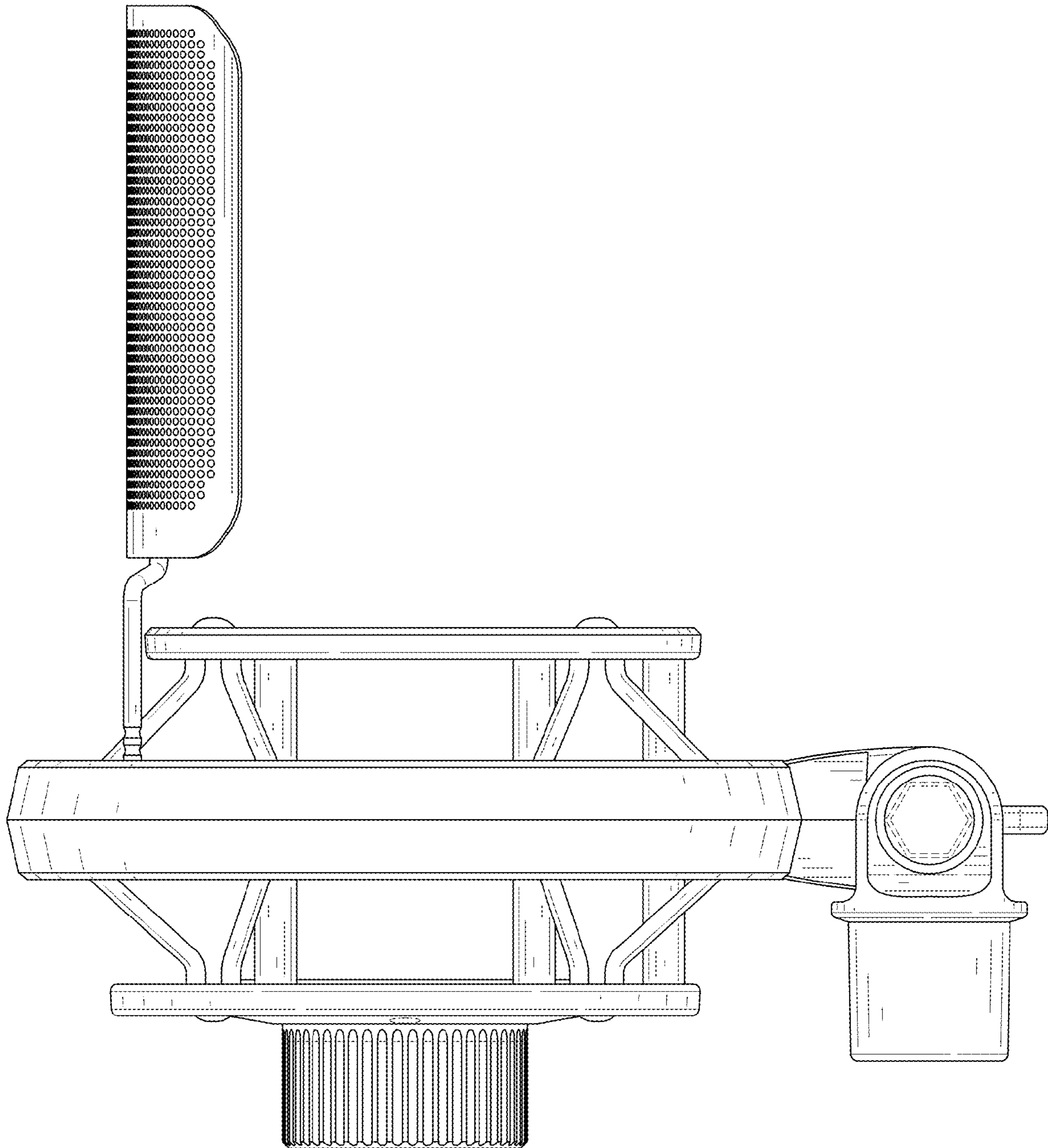


FIG. 6

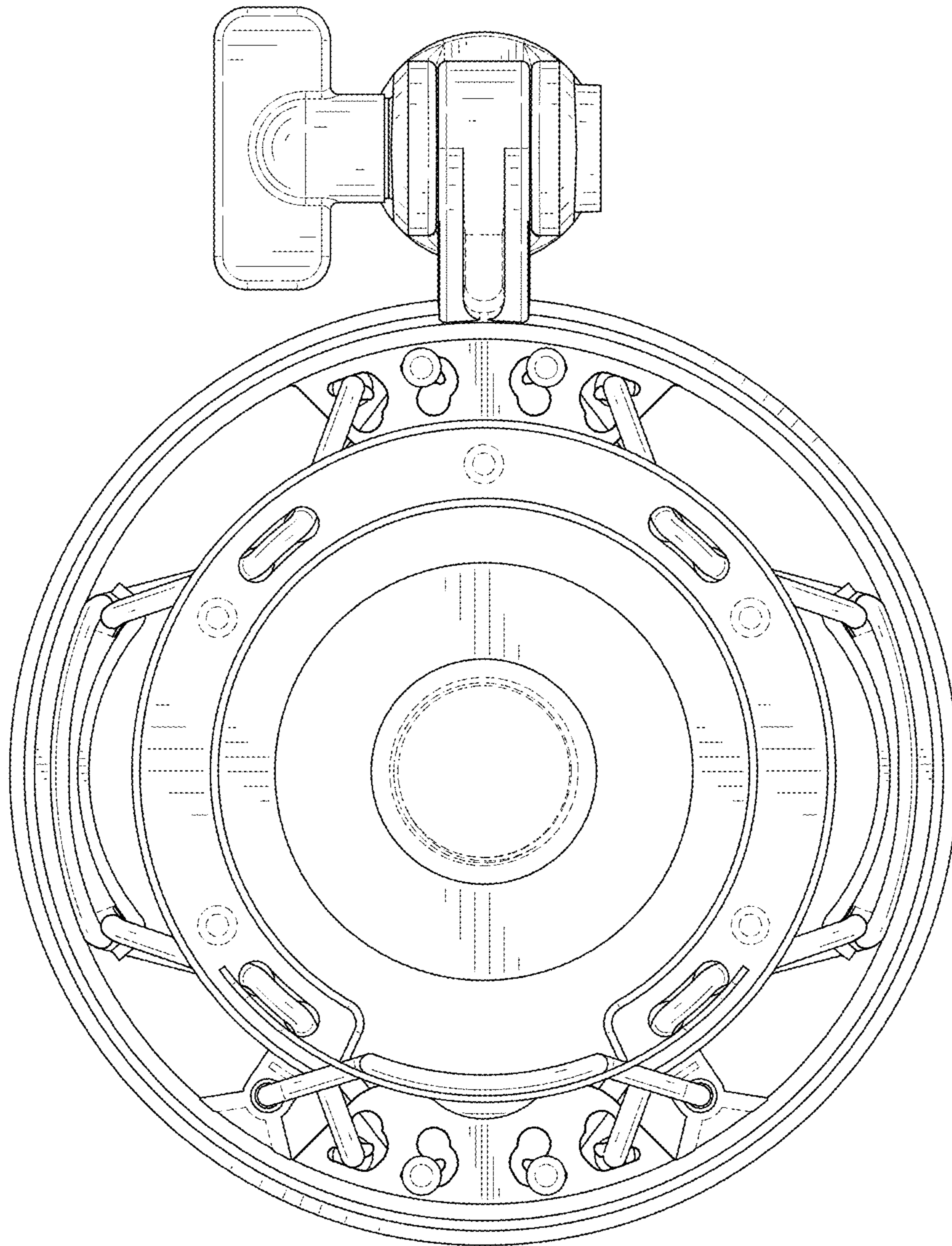


FIG. 7

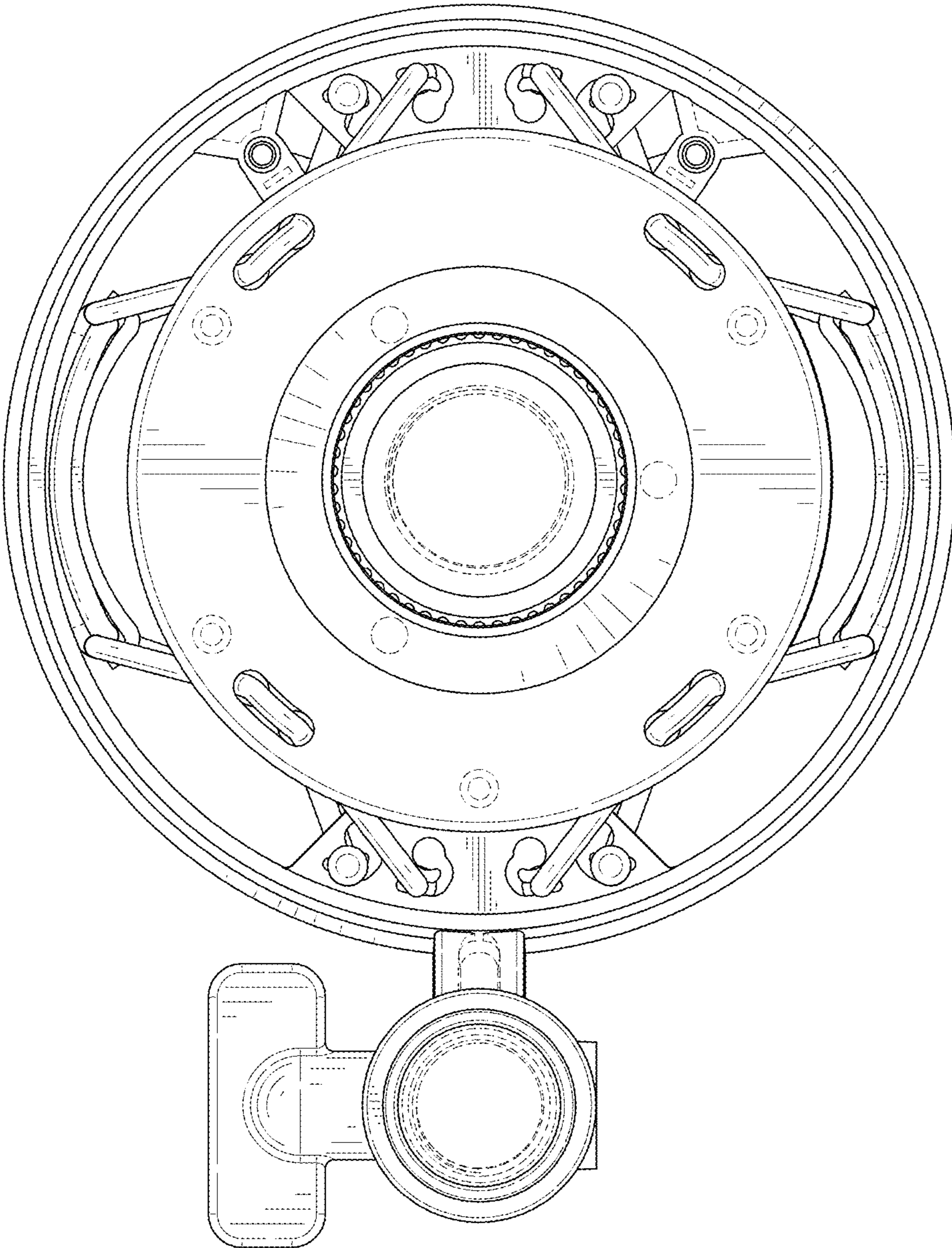


FIG. 8

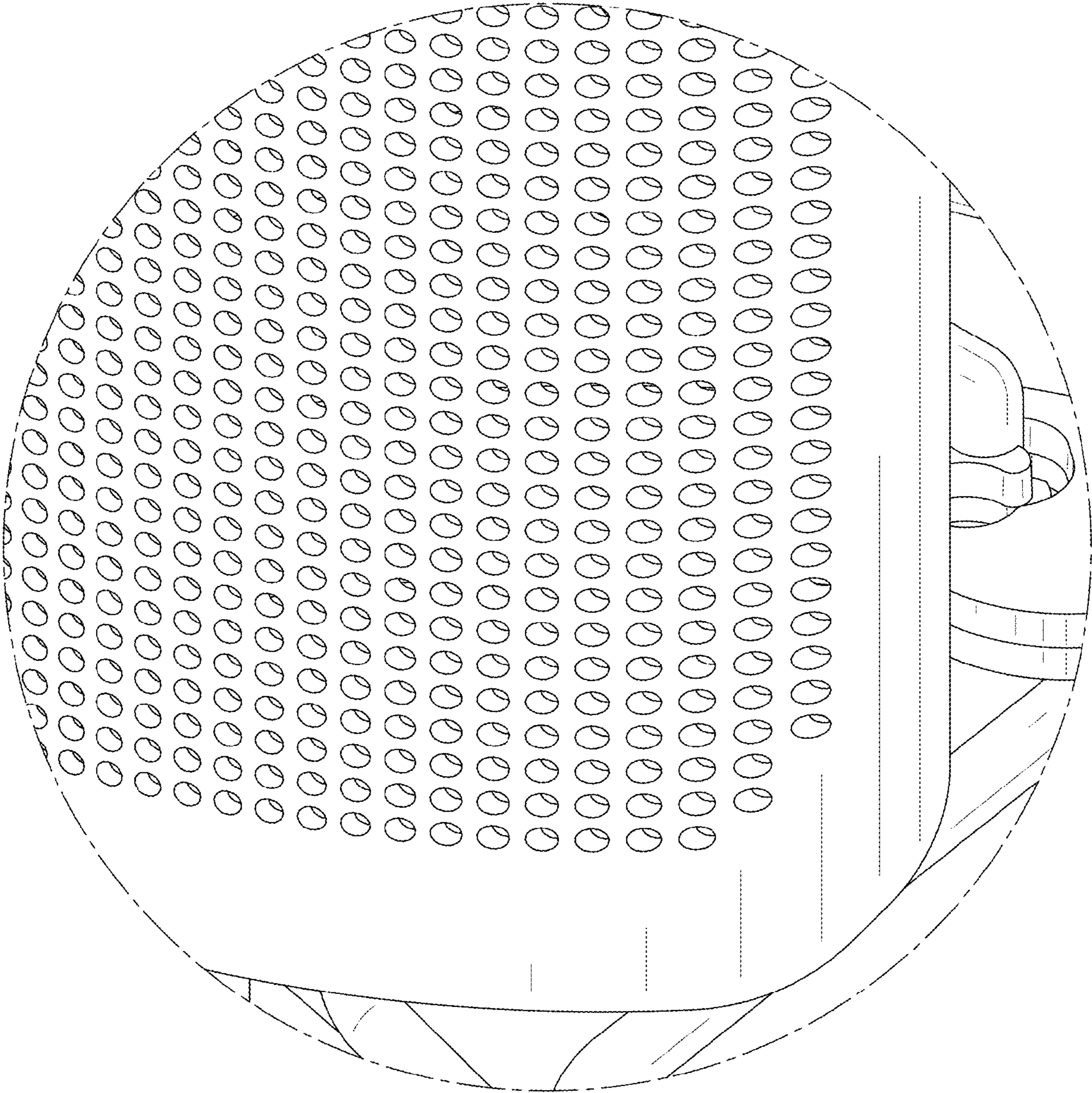


FIG. 9

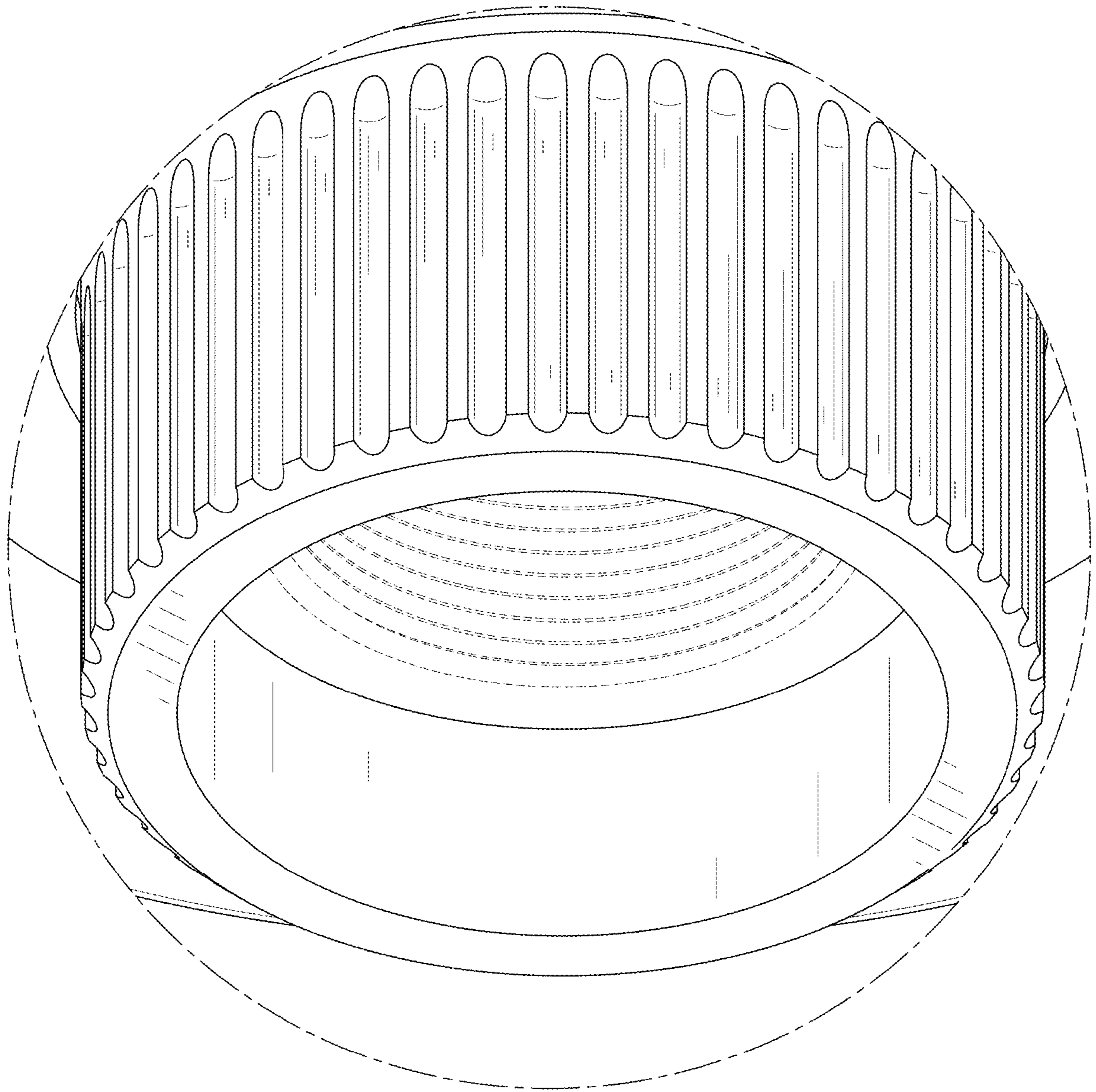


FIG. 10